

# ***Ice-O-Matic***<sup>®</sup>

## **SERVICE PARTS MANUAL GEM0650A/W/R, GEM0956A/W/R and GEM1256A/W/R GEM0655 Air**



Ice-O-Matic  
11100 East 45th Ave  
Denver, Colorado 80239  
Part Number 9081350-03

Date 10/08



This parts list contains the service parts available for the GEM Series icemakers listed below:

**GEM0655-Air Cooled**

**GEM0650-Air Cooled, Water Cooled and Remote**

**GEM0956-Air Cooled, Water Cooled and Remote**

**GEM1256-Air Cooled, Water Cooled and Remote**

Check the model number on the data plate and refer to the correct listing for the specific component.

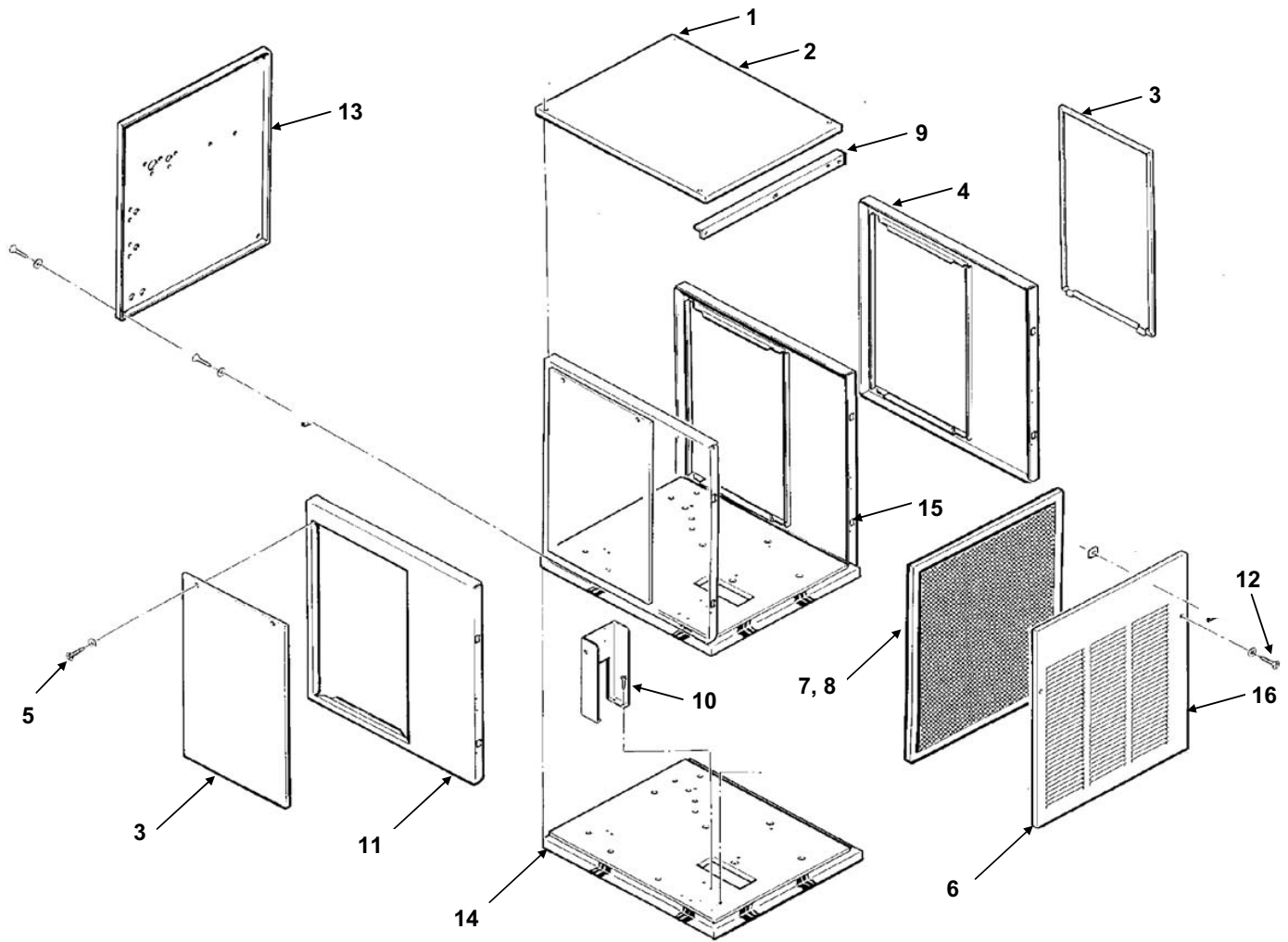
Check carefully that the correct part is identified and ordered.

Table of Contents	Page 1
Cabinet Assembly	Page 2 - 3
Air Cooled	Page 4
Water Cooled	Page 5
Remote	Page 6
Down Chute/Water System	Page 7
Gearmotor	Page 8
Evaporator	Page 9
Control Box	Page 10
Remote Condenser	Page 11

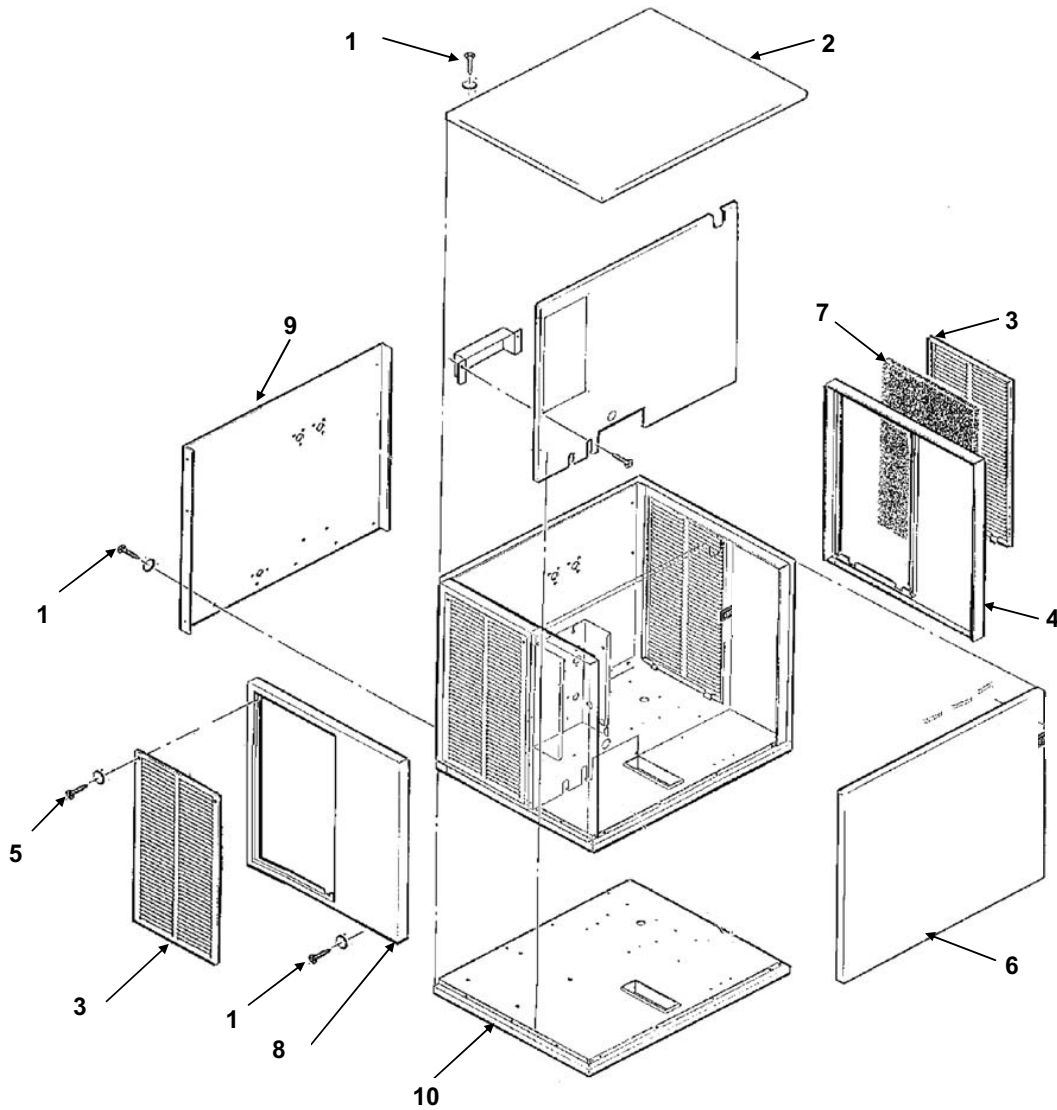
The GEM Series Service Manuals are available separately:

GEM Air Cooled and Water Cooled	9081350-01
GEM Remote	9081350-02

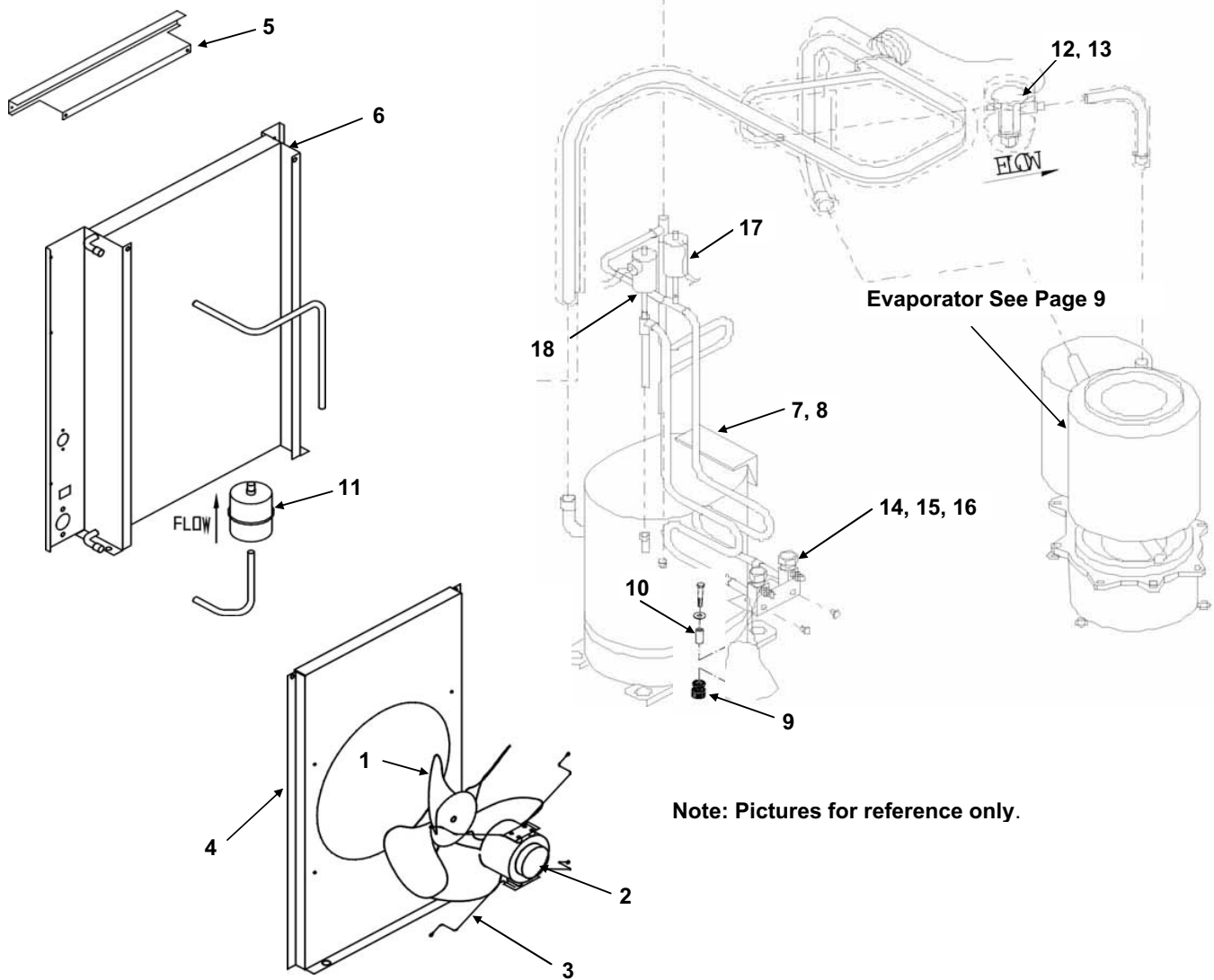
**Ice-O-Matic**  
**11100 East 45th Ave.**  
**Denver Co. 80239**  
**800-423-3367**



Item No.	Model Number			Description
	GEM0655	GEM0650	GEM0956	
1	<a href="#">1011339-70</a>	<a href="#">1011339-70</a>	<a href="#">1011339-70</a>	Top Panel Screw
2	1011380-192	1011380-192	1011380-192	Top Panel
3	1011380-196	1011380-196	1011380-196	Non-Louvered Side Panel
4	1011380-193	1011380-193	1011380-193	Right Side Frame Panel
5	1011351-34	1011351-34	1011351-34	Screw
6	<a href="#">1011380-191</a>	<a href="#">1011380-191</a>	<a href="#">1011380-191</a>	Front Louvered Panel
7	1011380-09	1011380-09	1011380-09	Air Filter
8	NLA	NLA	NLA	Filter Clip
9	1011380-200	1011380-200	1011380-200	Front Brace
10	1011380-197	1011380-197	1011380-197	Control Box Support
11	1011380-167	1011380-167	1011380-167	Left Side Frame Panel
12	1011380-42	1011380-42	1011380-42	Screw
13	<a href="#">1011380-213</a>	<a href="#">1011380-213</a>	<a href="#">1011380-213</a>	Rear Panel (Water Cooled Only)
14	1011380-211	1011380-211	1011380-211	Base
15	1011380-01	1011380-01	1011380-01	Catch (On Frame Panel)
16	1011380-88	1011380-88	1011380-88	Strike (On Front Panel)

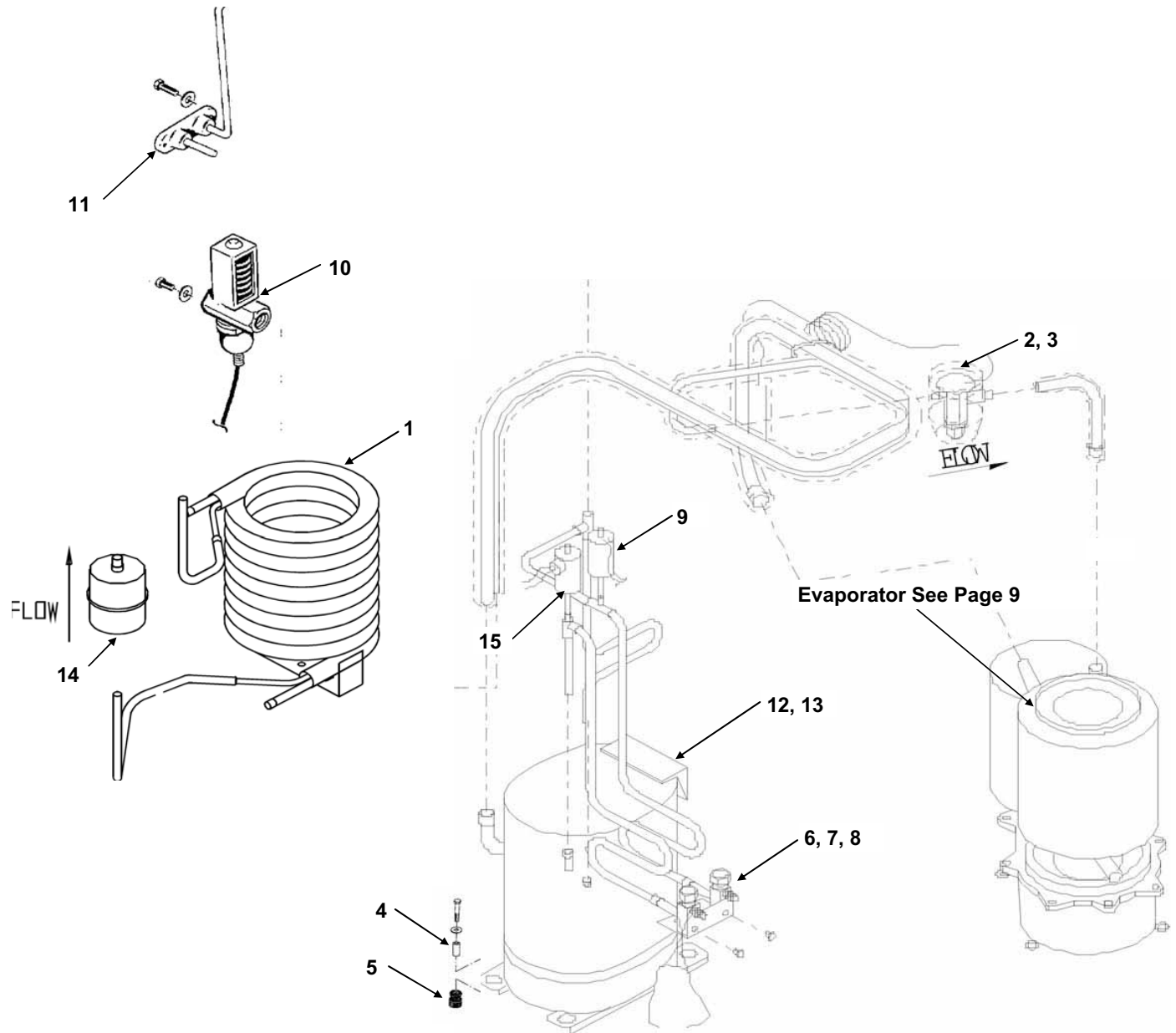


Item No.	Model Number			Description
	GEM0650	GEM0956	GEM1256	
1	N/A	N/A	<a href="#">1011339-70</a>	Screw
2	N/A	N/A	<a href="#">1011380-151</a>	Top Panel
3	N/A	N/A	<a href="#">1011380-194</a>	Louvered Side Panel
4	N/A	N/A	<a href="#">1011380-153</a>	Right Side Frame Panel
5	N/A	N/A	1011351-34	Screw
6	N/A	N/A	<a href="#">1011380-152</a>	Front Panel
7	N/A	N/A	1011380-183	Air Filter
8	N/A	N/A	<a href="#">1011380-154</a>	Left Side Frame Panel
9	N/A	N/A	1011380-155	Rear Panel-Remote
	N/A	N/A	<a href="#">1011380-156</a>	Rear Panel-Air or Water Cooled
10	N/A	N/A	<a href="#">1011380-214</a>	Base

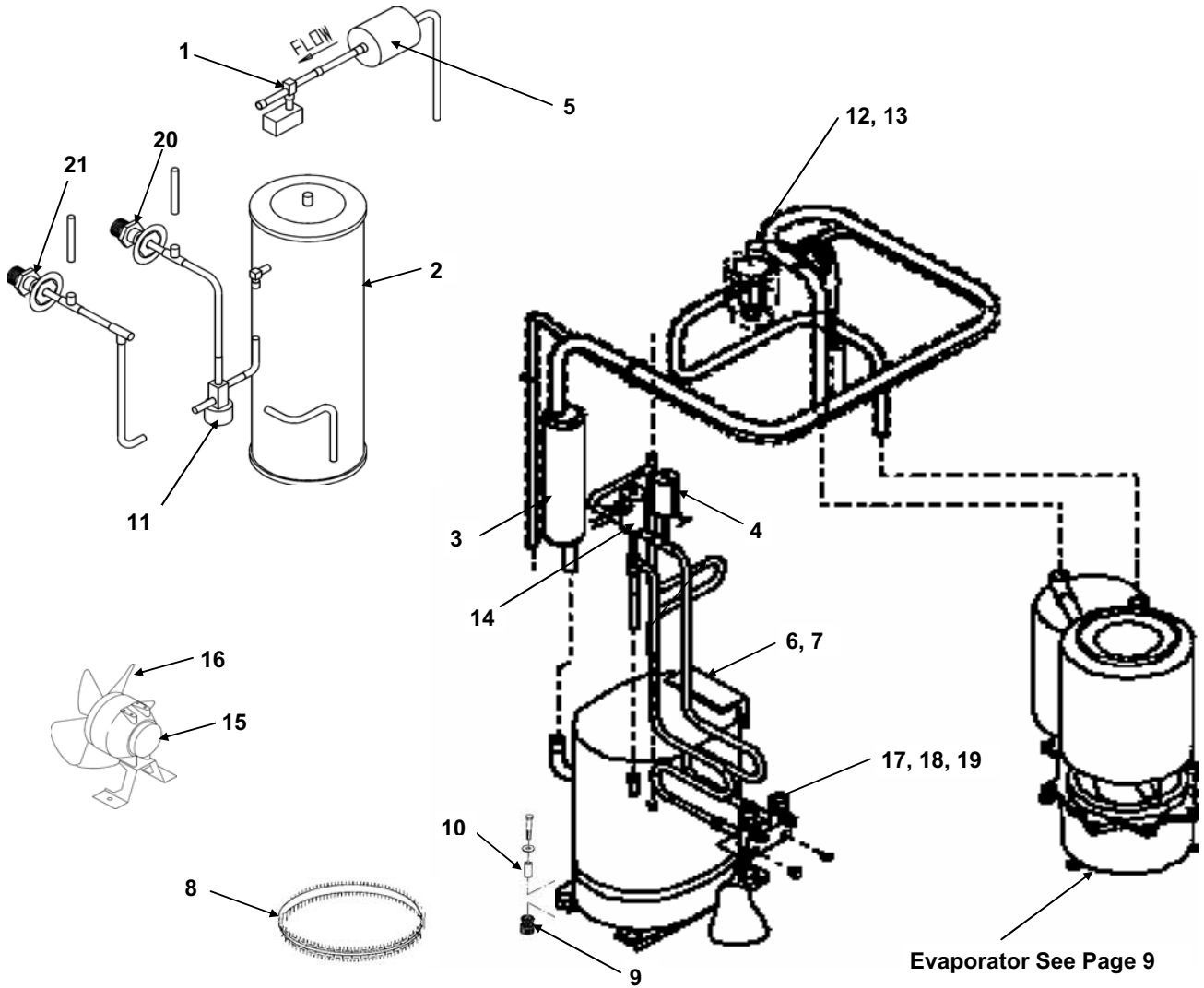


Note: Pictures for reference only.

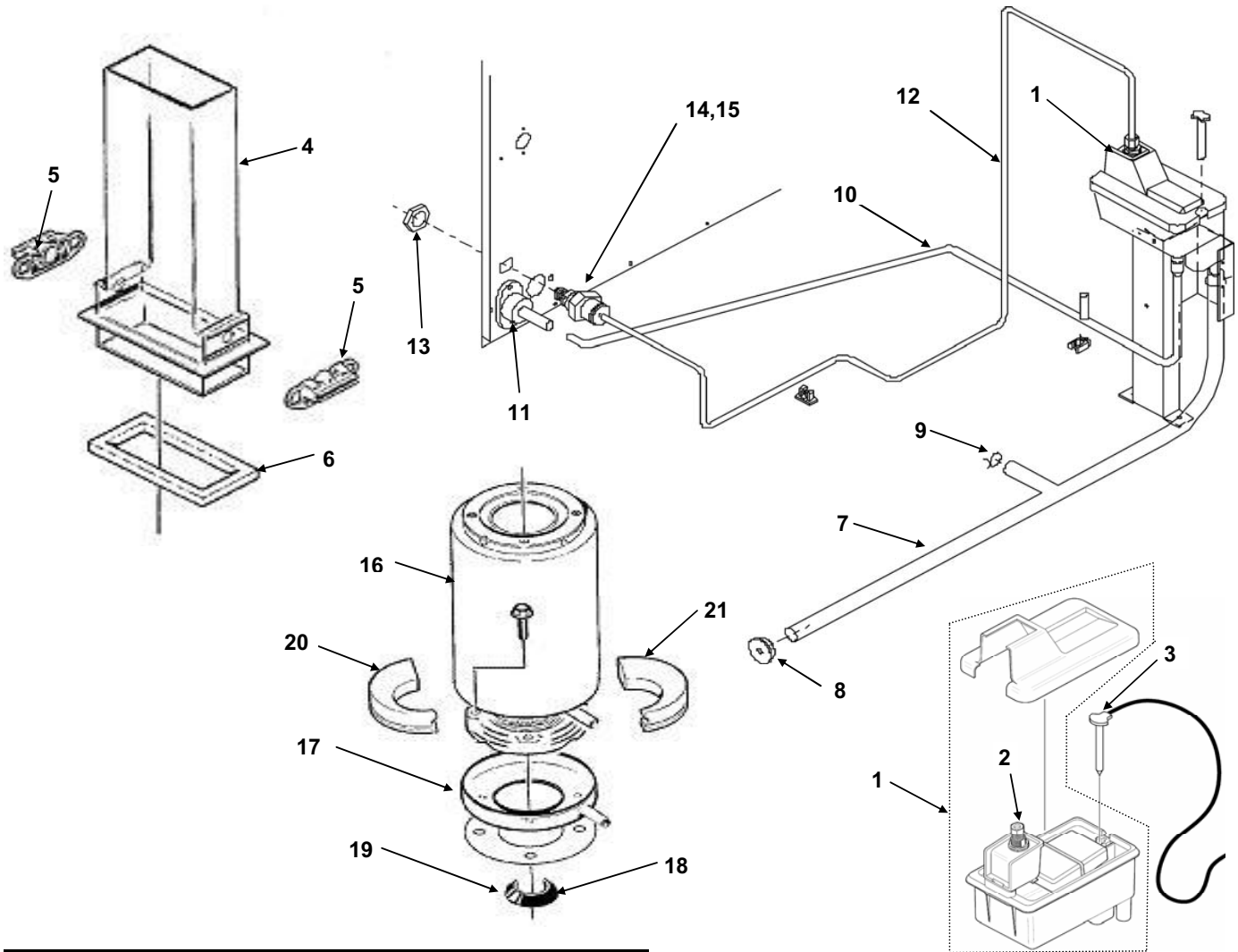
Item No.	Model Number				Description
	GEM0655	GEM0650	GEM0956	GEM1256	
1	1011380-136	1011380-136	1011380-121	1011380-120	Fan Blade
2	1011380-135	1011380-134	1011380-58	<a href="#">1011380-122</a>	Fan Motor
3	1011380-228	1011380-228	1011380-04	1011380-20	Fan Bracket
4	1011380-210	1011380-210	1011380-190	<a href="#">1011380-207</a>	Fan Shroud
5	1011380-206	1011380-206	1011380-206	N/A	Fan Shroud Cover
6	<a href="#">1011380-133</a>	<a href="#">1011380-133</a>	<a href="#">1011380-126</a>	<a href="#">1011380-132</a>	Air Condenser
7	1011380-129	1011380-128	1011380-137	<a href="#">1011380-131</a>	Compressor
8	<a href="#">1011380-130</a>	<a href="#">1011380-125</a>	Internal	Internal	Compressor Overload
9	1011380-117	1011380-117	1011380-117	1011380-117	Compressor Grommet
10	1011380-115	1011380-115	1011380-115	1011380-115	Compressor Grommet Sleeve
11	1011380-18	1011380-18	1011380-18	1011380-18	Drier
12	1011380-177	1011380-177	1011380-177	1011380-177	Expansion Valve Insulation Kit
13	1011380-51	1011380-51	1011380-51	<a href="#">1011380-50</a>	Expansion Valve
14	1011380-94	1011380-94	1011380-94	1011380-94	Service Valve Body
15	1011380-95	1011380-95	1011380-95	1011380-95	Service Valve Core
16	<a href="#">1011380-96</a>	<a href="#">1011380-96</a>	<a href="#">1011380-96</a>	<a href="#">1011380-96</a>	Service Valve Cap
17	1011380-52	1011380-52	1011380-52	1011380-52	Hi Pressure Cut Out
18	1011380-53	1011380-53	1011380-53	1011380-53	Low Pressure Cut Out



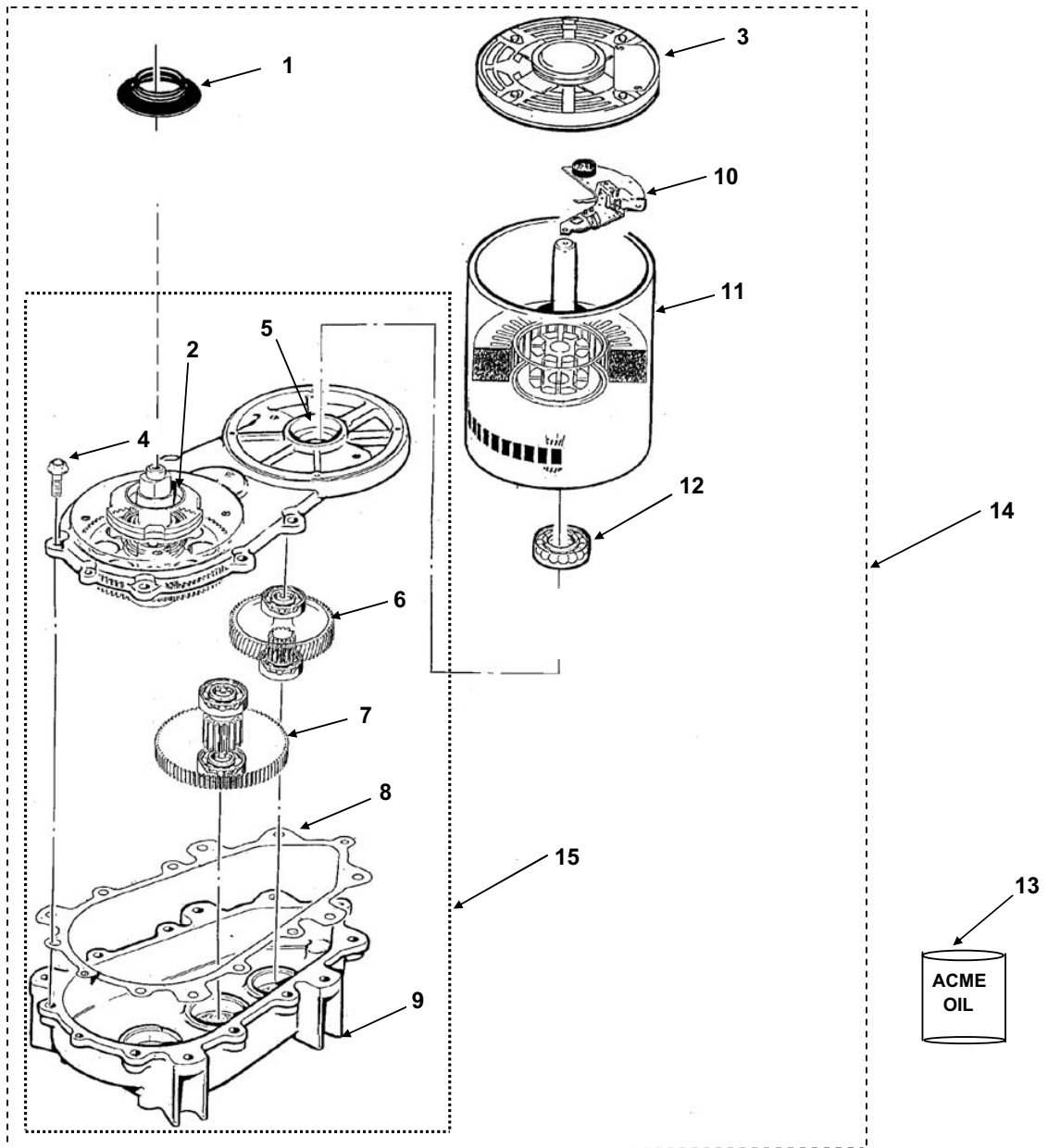
Item No.	Model Number			Description
	GEM0650	GEM0956	GEM1256	
1	1011380-144	1011380-145	<a href="#">1011380-146</a>	Water Cooled Condenser
2	1011380-51	1011380-51	1011380-51	Expansion Valve
3	1011380-177	1011380-177	1011380-177	Expansion Valve Insulation Kit
4	1011380-115	1011380-115	1011380-115	Compressor Grommet Sleeve
5	1011380-117	1011380-117	1011380-117	Grommet
6	1011380-94	1011380-94	1011380-94	Service Valve Body
7	1011380-95	1011380-95	1011380-95	Service Valve Core
8	<a href="#">1011380-96</a>	<a href="#">1011380-96</a>	<a href="#">1011380-96</a>	Service Valve Cap
9	1011380-52	1011380-52	1011380-52	High Pressure Cut Out
10	1011380-49	1011380-49	1011380-49	Water Regulating Valve
11	<a href="#">1011380-149</a>	1011380-201	1011380-201	Drain Assembly
12	1011380-128	1011380-137	<a href="#">1011380-131</a>	Compressor
13	<a href="#">1011380-125</a>	Internal	Internal	Compressor Overload
14	1011380-18	1011380-18	1011380-18	Drier
15	1011380-53	1011380-53	1011380-53	Low Pressure Cut Out



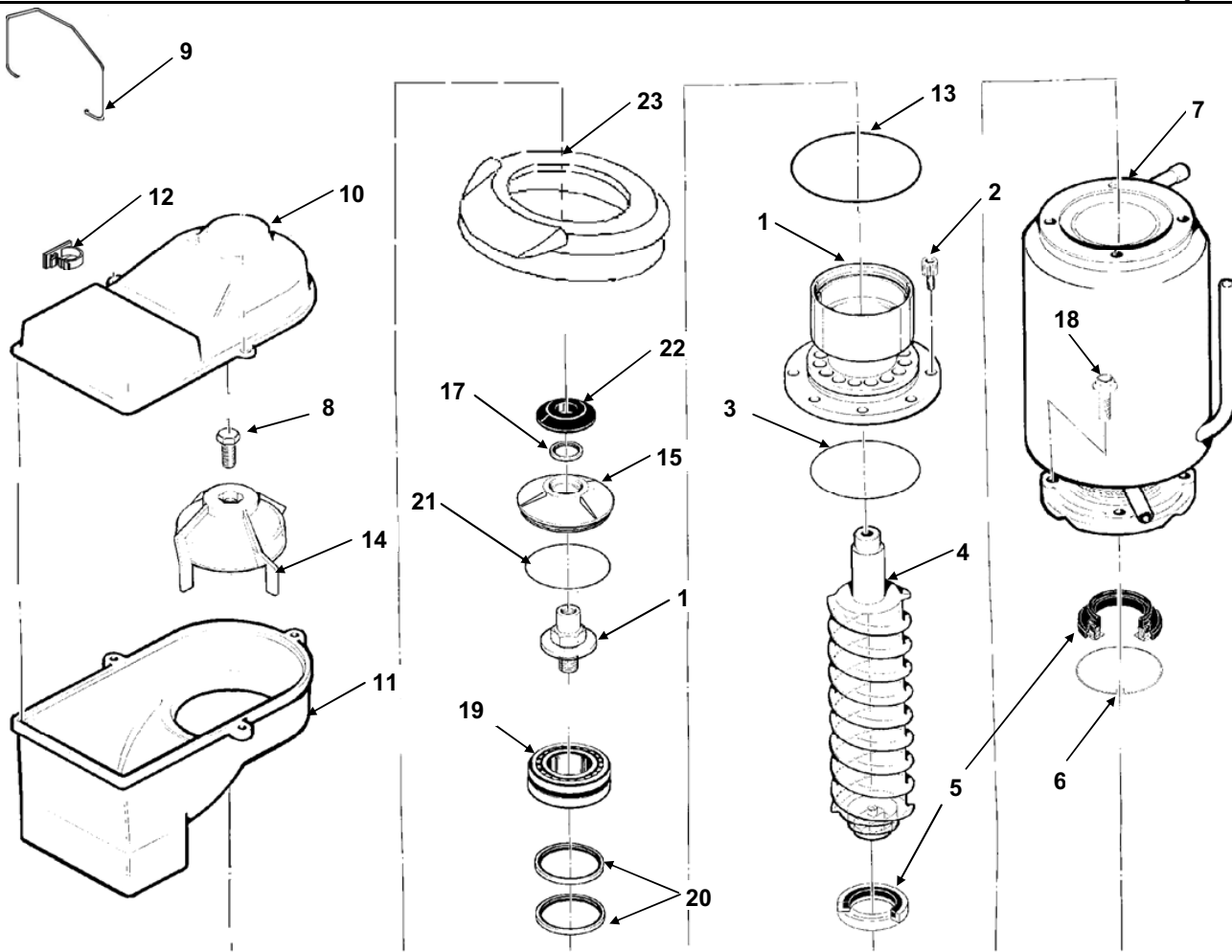
Item No.	Model Number			Description
	GEM0650	GEM0956	GEM1256	
1	<a href="#">1011380-61</a>	1011380-63	<a href="#">1011380-62</a>	Liquid Line Solenoid
2	1011380-92	1011380-92	1011380-92	Receiver
3	N/A	<a href="#">1011380-31</a>	N/A	Accumulator
4	1011380-52	1011380-52	1011380-52	High Pressure Cut Out
5	1011380-18	1011380-18	1011380-18	Drier
6	1011380-128	1011380-137	<a href="#">1011380-131</a>	Compressor
7	<a href="#">1011380-125</a>	Internal	Internal	Compressor Overload
8	1011380-60	1011380-59	1011380-59	Crankcase Heater-External
9	1011380-117	1011380-117	1011380-117	Grommet
10	1011380-115	1011380-115	1011380-115	Compressor Grommet Sleeve
11	1011380-47	1011380-47	1011380-47	Low Ambient Control
12	1011380-51	1011380-51	<a href="#">1011380-50</a>	Expansion Valve
13	1011380-177	1011380-177	1011380-177	Expansion Valve Insulation Kit
14	1011380-53	1011380-53	1011380-53	Pump Down Control
15	1011380-57	1011380-58	N/A	Fan Motor
16	<a href="#">1011380-124</a>	<a href="#">1011380-124</a>	N/A	Fan Blade
17	1011380-94	1011380-94	1011380-94	Service Valve Body
18	1011380-95	1011380-95	1011380-95	Service Valve Core
19	<a href="#">1011380-96</a>	<a href="#">1011380-96</a>	<a href="#">1011380-96</a>	Service Valve Cap
20	1011380-98	1011380-98	1011380-98	Quick Connect Fitting 3/8 Inch
21	1011380-97	1011380-97	1011380-97	Quick Connect Fitting 1/2 Inch



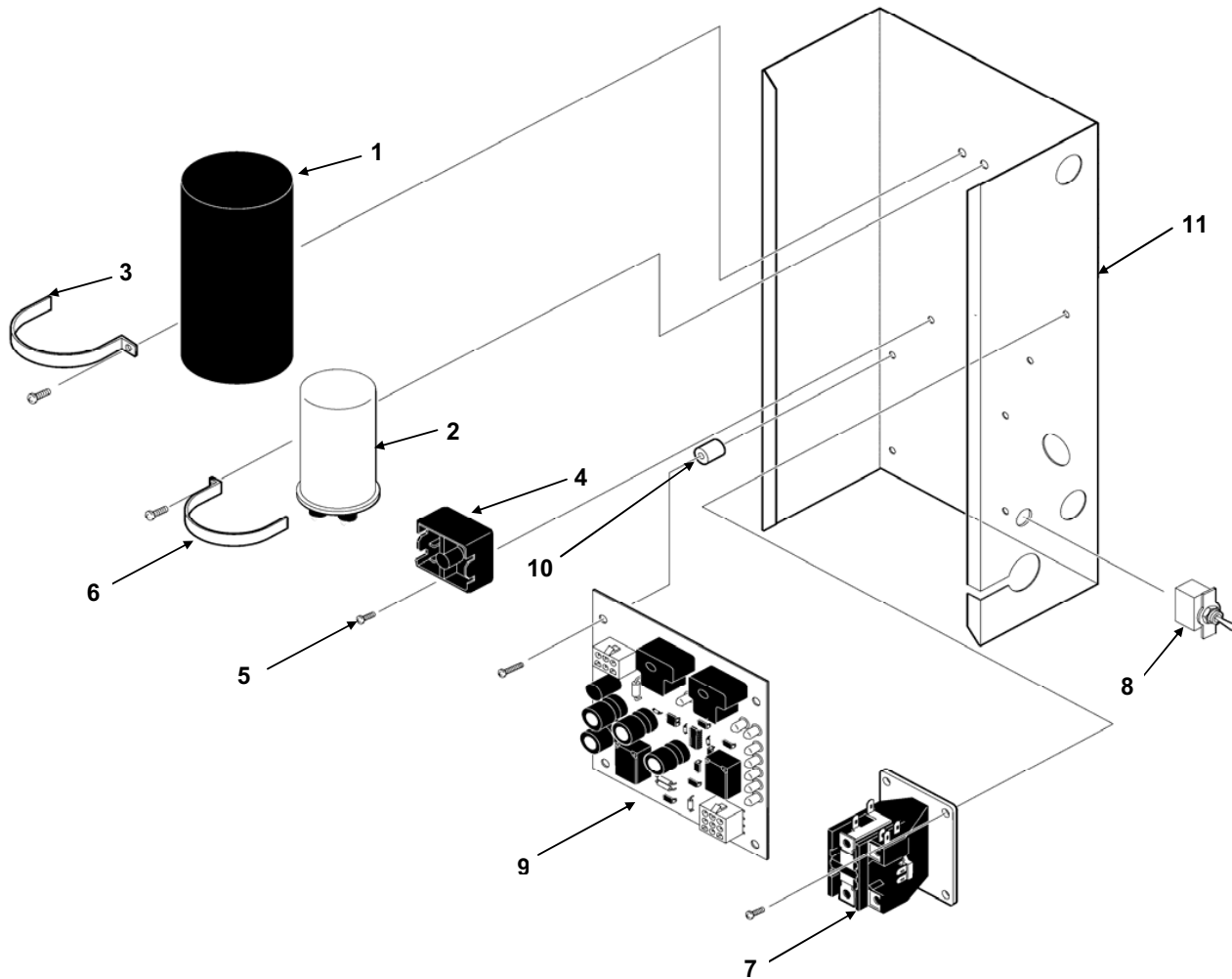
Item No.	Model Number				Description
	GEM0655	GEM0650	GEM0956	GEM1256	
1	1011380-15	1011380-15	1011380-15	1011380-15	Float Assembly (Does Not Include Sensor)
2	<a href="#">1011380-16</a>	<a href="#">1011380-16</a>	<a href="#">1011380-16</a>	<a href="#">1011380-16</a>	Float Valve Only
3	1011380-78	1011380-78	1011380-78	1011380-78	Water Level Sensor
4	1011380-06	1011380-06	1011380-07	1011380-07	Ice Chute Lower
5	<a href="#">1011380-223</a>	<a href="#">1011380-223</a>	<a href="#">1011380-223</a>	<a href="#">1011380-223</a>	Bin Controls Assembly (Set of 2)
6	1011380-176	1011380-176	1011380-176	1011380-176	Chute Gasket
7	1011380-220	1011380-220	1011380-220	1011380-220	Evaporator Water Inlet Tube
8	1011380-84	1011380-84	1011380-84	1011380-84	Rubber Cap
9	1011380-03	1011380-03	1011380-03	1011380-03	Hose Clamp
10	1011380-25	1011380-25	1011380-25	<a href="#">1011380-26</a>	Overflow Tube
11	1011380-23	1011380-23	1011380-23	1011380-23	Drain Fitting
12	<a href="#">1011351-71</a>	<a href="#">1011351-71</a>	<a href="#">1011351-71</a>	<a href="#">1011351-71</a>	Inlet Tubing (4 feet required)
13	<a href="#">1011351-31</a>	<a href="#">1011351-31</a>	<a href="#">1011351-31</a>	<a href="#">1011351-31</a>	Pal Nut
14	<a href="#">1011351-74</a>	<a href="#">1011351-74</a>	<a href="#">1011351-74</a>	<a href="#">1011351-74</a>	Water Inlet Fitting
15	<a href="#">1011351-75</a>	<a href="#">1011351-75</a>	<a href="#">1011351-75</a>	<a href="#">1011351-75</a>	Male Connector
16	1011380-185	1011380-185	1011380-185	1011380-185	Evaporator
17	<a href="#">1011380-27</a>	<a href="#">1011380-27</a>	<a href="#">1011380-27</a>	<a href="#">1011380-27</a>	Drip Pan
18	<a href="#">1011380-83</a>	<a href="#">1011380-83</a>	<a href="#">1011380-83</a>	<a href="#">1011380-83</a>	Drip Pan Gasket
19	<a href="#">1011380-85</a>	<a href="#">1011380-85</a>	<a href="#">1011380-85</a>	<a href="#">1011380-85</a>	Water Shed
20	<a href="#">1011380-178</a>	<a href="#">1011380-178</a>	<a href="#">1011380-178</a>	<a href="#">1011380-178</a>	Insulation Collar
21	<a href="#">1011380-179</a>	<a href="#">1011380-179</a>	<a href="#">1011380-179</a>	<a href="#">1011380-179</a>	Insulation Collar



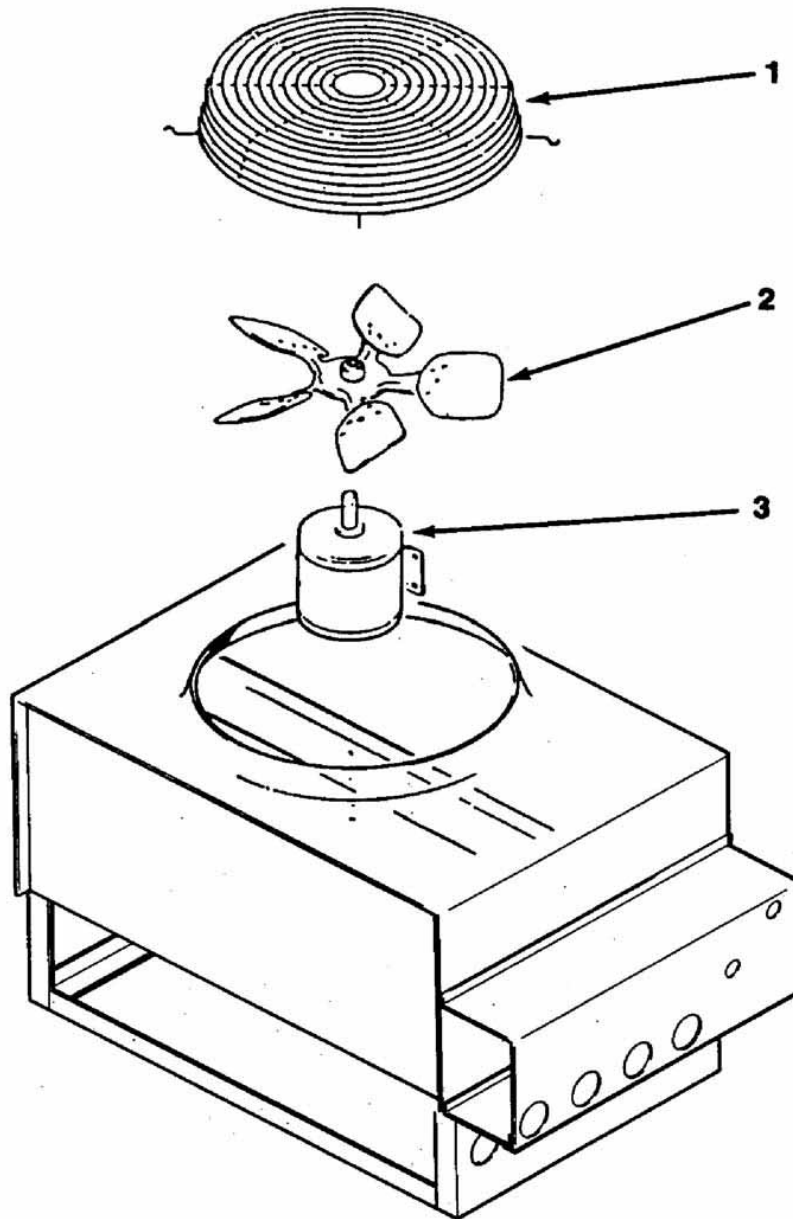
Item No.	Model Number				Description
	GEM0655	GEM0650	GEM0956	GEM1256	
1	1011380-85	1011380-85	1011380-85	1011380-85	Water Shed
2	1011380-164	1011380-164	1011380-164	1011380-164	Gearcase Output Shaft Seal
3	N/A	N/A	N/A	N/A	End Bell
4	1011380-162	1011380-162	1011380-162	1011380-162	Bolt
5	1011380-159	1011380-159	1011380-159	1011380-159	Gearcase Cover (Cover, Shaft, Key, Gear and Bearing)
6	1011380-161	1011380-161	1011380-161	1011380-161	1st Gear and Bearings
7	1011380-160	1011380-160	1011380-160	1011380-160	2nd Gear and Bearings
8	1011380-158	1011380-158	1011380-158	1011380-158	Gasket
9	1011380-157	1011380-157	1011380-157	1011380-157	Gearcase
10	1011380-77	1011380-72	1011380-72	1011380-72	Start Switch-GE
11	1011380-69	1011380-67	1011380-68	1011380-68	Drive Motor
12	1011380-73	1011380-73	1011380-73	1011380-73	Rotor Bearing-GE
13	1011380-163	1011380-163	1011380-163	1011380-163	Oil
14	1011380-188	1011380-186	1011380-187	1011380-187	Complete Assembly
15	1011380-189	1011380-189	1011380-189	1011380-189	Gear Case Kit, No Motor



Item No.	Model Number				Description
	GEM0655	GEM0650	GEM0956	GEM1256	
1	<a href="#">1011380-175</a>	<a href="#">1011380-175</a>	<a href="#">1011380-175</a>	<a href="#">1011380-175</a>	Breaker ( Includes Item 15, 17, 19, 20 and 21)
2	<a href="#">1011380-44</a>	<a href="#">1011380-44</a>	<a href="#">1011380-44</a>	<a href="#">1011380-44</a>	Socket Head Screw
3	<a href="#">1011380-80</a>	<a href="#">1011380-80</a>	<a href="#">1011380-80</a>	<a href="#">1011380-80</a>	O-Ring
4	<a href="#">1011380-225</a>	<a href="#">1011380-225</a>	<a href="#">1011380-226</a>	<a href="#">1011380-226</a>	Auger
5	<a href="#">1011380-02</a>	<a href="#">1011380-02</a>	<a href="#">1011380-02</a>	<a href="#">1011380-02</a>	Water Seal
6	<a href="#">1011380-168</a>	<a href="#">1011380-168</a>	<a href="#">1011380-168</a>	<a href="#">1011380-168</a>	Ring, Water Seal
7	<a href="#">1011380-185</a>	<a href="#">1011380-185</a>	<a href="#">1011380-172</a>	<a href="#">1011380-172</a>	Evaporator ( <b>Excludes</b> Interior Components)
8	<a href="#">1011380-38</a>	<a href="#">1011380-38</a>	<a href="#">1011380-38</a>	<a href="#">1011380-38</a>	Hex Cap Screw
9	<a href="#">1011380-203</a>	<a href="#">1011380-203</a>	<a href="#">1011380-203</a>	<a href="#">1011380-203</a>	Bail Clamp
10	<a href="#">1011380-08</a>	<a href="#">1011380-08</a>	<a href="#">1011380-08</a>	<a href="#">1011380-08</a>	Ice Chute Cover
11	<a href="#">1011380-28</a>	<a href="#">1011380-28</a>	<a href="#">1011380-28</a>	<a href="#">1011380-28</a>	Ice Chute Body with Insulation
12	<a href="#">1011380-17</a>	<a href="#">1011380-17</a>	<a href="#">1011380-17</a>	<a href="#">1011380-17</a>	Drain Hose Clip
13	<a href="#">1011380-81</a>	<a href="#">1011380-81</a>	<a href="#">1011380-81</a>	<a href="#">1011380-81</a>	O-Ring
14	<a href="#">1011380-12</a>	<a href="#">1011380-12</a>	<a href="#">1011380-12</a>	<a href="#">1011380-12</a>	Ice Sweep
15	<a href="#">1011380-13</a>	<a href="#">1011380-13</a>	<a href="#">1011380-13</a>	<a href="#">1011380-13</a>	Breaker Cover
16	<a href="#">1011380-46</a>	<a href="#">1011380-46</a>	<a href="#">1011380-46</a>	<a href="#">1011380-46</a>	Auger Stud
17	<a href="#">1011380-11</a>	<a href="#">1011380-11</a>	<a href="#">1011380-11</a>	<a href="#">1011380-11</a>	Lip Seal
18	<a href="#">1011380-37</a>	<a href="#">1011380-37</a>	<a href="#">1011380-37</a>	<a href="#">1011380-37</a>	Cap Screw
19	<a href="#">1011380-202</a>	<a href="#">1011380-202</a>	<a href="#">1011380-202</a>	<a href="#">1011380-202</a>	Bearing
20	<a href="#">1011380-10</a>	<a href="#">1011380-10</a>	<a href="#">1011380-10</a>	<a href="#">1011380-10</a>	Lip Seal
21	<a href="#">1011380-82</a>	<a href="#">1011380-82</a>	<a href="#">1011380-82</a>	<a href="#">1011380-82</a>	O-Ring
22	<a href="#">1011380-86</a>	<a href="#">1011380-86</a>	<a href="#">1011380-86</a>	<a href="#">1011380-86</a>	Water Shed
23	<a href="#">1011380-87</a>	<a href="#">1011380-87</a>	<a href="#">1011380-87</a>	<a href="#">1011380-87</a>	Insulation Collar



Item No.	Model Number				Description
	GEM0655	GEM0650	GEM0956	GEM1256	
1	1011380-104	1011380-102	1011380-106	1011380-103	Start Capacitor
2	<a href="#">1011380-107</a>	1011380-108	1011380-108	1011380-110	Run Capacitor
3	<a href="#">1011351-83</a>	<a href="#">1011351-83</a>	<a href="#">1011351-83</a>	1011380-195	Start Capacitor Bracket
4	1011380-114	1011380-112	1011380-111	1011380-111	Compressor Relay
5	1011339-73	1011339-73	1011339-73	1011339-73	Screw
6	1011380-217	1011380-217	1011380-217	1011380-171	Run Capacitor Bracket
7	1011380-74	1011380-75	1011380-74	1011380-74	Compressor Contactor
8	<a href="#">1011380-55</a>	<a href="#">1011380-55</a>	<a href="#">1011380-55</a>	1011339-78	Selector Switch
9	1011380-79	1011380-79	1011380-79	1011380-79	Circuit Board
10	<a href="#">1011380-66</a>	<a href="#">1011380-66</a>	<a href="#">1011380-66</a>	<a href="#">1011380-66</a>	Control Board Standoff
11	N/A	N/A	N/A	N/A	Control Box
12	1011380-224	1011380-224	1011380-224	<a href="#">1011380-174</a>	Control Box Cover-Not Shown



Item No.	Model Number			Description
	GRC1001	GRC1061	GRC2061	
1	1011380-21	1011380-21	1011380-21	Fan Shroud
2	1011380-143	1011380-143	1011380-143	Fan Blade
3	1011380-141	1011380-142	1011380-142	Fan Motor

GEM0650R GEM0956R GEM1256R