

STLHR

Operators Manual



MODEL:
HRF3-0

Hydra Rinse® Cleaning and Sanitizing System
for Soft Serve Ice Cream Machines

HYDRA RINSE®

CLEANS SIMPLE. SAFE. QUICK.

Complete for service reference information regarding your Hydra Rinse® product:

Model Number: _____

Serial Number: _____

Catalog Number: _____

Soft Serve Machine Model Number: _____

FCC Compliance Statement:

Note: This equipment has been tested and found to comply with the limits for a Class A digital device, pursuant to part 15 of the FCC Rules. These limits are designed to provide reasonable protection against harmful interference when the equipment is operated in a commercial environment. This equipment generates, uses, and can radiate radio frequency energy and, if not installed and used in accordance with the instruction manual, may cause harmful interference to radio communications. Operation of this equipment in a residential area is likely to cause harmful interference in which case the user will be required to correct the interference at his own expense.

ISED Compliance Statement:

This device contains licence-exempt transmitter(s)/receiver(s) that comply with Innovation, Science and Economic Development Canada's licence-exempt RSS(s). Operation is subject to the following two conditions:

1. This device may not cause interference.
2. This device must accept any interference, including interference that may cause undesired operation of the device.

L'émetteur/récepteur exempt de licence contenu dans le présent appareil est conforme aux CNR d'Innovation, Sciences et Développement économique Canada applicables aux appareils radio exempts de licence. L'exploitation est autorisée aux deux conditions suivantes :

1. L'appareil ne doit pas produire de brouillage;
2. L'appareil doit accepter tout brouillage radioélectrique subi, même si le brouillage est susceptible d'en compromettre le fonctionnement.

STLHR

NSF listed as HRF3-0 under Hydra Rinse, LLC

Any unauthorized reproduction, disclosure, or distribution of copies by anyone unaffiliated with HYDRA RINSE, LLC relating to any portion of this work may be a violation of Copyright Law of the United States of America and other countries. Statutory Damages of up to \$150,000 (17 USC 504) could result for infringement, which could also lead to consequent civil and criminal penalties. All rights reserved.

Hydra Rinse, LLC 7870 Lehigh Crossing Suite 1, Victor New York 14564

Toll Free: 844-233-6349

Table of Contents

	Page
Section 1: Installation Guidelines	1
Section 2: Operator Introduction	2
Section 3: Safety	3
Section 4: Product Introduction	4
• The Hydra Rinse® Eco System	
Section 5: User Interface 1 of 2	5
• The RESET-CUPS-PROGRAM button functionality	
• The ONE TOUCH button functionality	
• The STATUS INDICATORS LEDs	
• The PLAY/PAUSE button functionality	
Section 6: LEXX™ Cups and Bottle Concentrate	7
• LEXX™ Liquid Sanitizer and Cleaner Concentrate	
Section 7: Registration of Token Tag	8
Section 8: Referenced Components	9
Section 9: Required Water and Drain Source	10
• Water Source	
• Drain Source	
Section 10: HRWAND128 Portable Wandstation	11
• General Information	
Section 11: Upgraded Components	12
• Hydra Rinse® Upgraded Components	
Section 12: NSF Certified Hydra Rinse® Process	13
• 21 Step Reference Document	
Section 13: NSF Certified Flavor Change Process	14
• 19 Step Reference Document	

Table of Contents

	Page
Section 14: Details of the Hydra Rinse® Process	15
• Detailed Training Instructions for Sections 12 & 13	
Section 15: Troubleshooting Guide 1 of	36
• Table Defining Common Problems with Potential Cause and Solution	
Section 16: Pro-control Module LEDs 1 of 2	38
• Table Defining LED Process and Error Codes	
Section 17: Battery Installation/Replacement	40
Section 18: Online Resources/Support	41
Section 19: Warranty	42
Section 20: Appendix A	43
• LEXX™ pH Solution Measurement	
• LEXX™ Solution Total Acid Test	

Section 1: Installation Guidelines

The information provided is to ensure that your **STLHR** meets factory tested Performance.

Requirements



No additional tools or fasteners are required for proper mounting to the soft serve machine; attaching features are all inclusive.

For the **WSF128-169 Portable Wandstation "HRWAND128"**: Depending on where the location of the "MOUNTING BRACKET" is installed e.g., concrete/drywall, etc., anchor bolts (**not included**) should be capable of supporting a minimum of 50 lbs. (Max screw diameter 3/16" actual size: 0.1875")

Care should be taken when installing your **STLHR** to ensure proper performance and operation.

- Only **STLHR** trained personnel should install and operate this device.
- Only Authorized **STLHR** service personnel should make any necessary repairs

Note: *STLHR is engineered to work exclusively with LEXX™ Liquid Sanitizer and Cleaner Concentrate.*

Protective Measures



Never submerge the Pro-control Module into any liquid. This product was manufactured and designed to meet IP65 standards:

- 6: Totally protected from dust contaminates.
- 5: Protected against low pressure jetting from water in all directions, limited ingress permitted.

Site Pre-requisite



Water supply must be >50 PSI, capable of flowing a minimum of 4.5 GPM, having a sanitary pH value of ~7.0-8.0.



We also recommend using a **Water Softener** to minimize hard water impact on the entire Hydra Rinse® Eco System.

Water Connection



Recommended outlet water temperature 110°F (43.3°C) but less than 120°F (48.9°C); Default: 112.5°F (44.7°C).

Note: No more than 120°F (48.9°C). Damage will occur to the Pro-control Module.

A backflow prevention device is required (**Not Included**) for the inlet water connection. Refer to applicable National, Federal, State, and local codes.

Specific State Requirements:

California (CA) Code: (Backflow Prevention, RPP)

Installed Backflow prevention device must meet or exceed specifications of Watts 9D Dual Check Valve(s) with intermediate Atmospheric Vent.

Section 2: Operator Introduction

The following Hydra Rinse® product: **STLHR** has been carefully engineered and manufactured to give you consistent operation.

To the Operator

Careful maintenance and operation of this unit will ensure product quality and consistent performance. The **STLHR** will require frequent cleaning of the unit itself. Please take care in understanding the outlined procedures in this manual.

Important Messages



For optimal results, follow the cleaning and sanitizing procedures for both Sections 12 and 13 without "**Interruption**".

Using Hydra Rinse® does not eliminate the present concerns associated with manual cleaning and sanitizing procedures:

Soft serve machines must never be placed in "**Freeze Mode**" in place of "**Clean Mode**" for any type of cleaning and sanitizing process. When the freezing barrel(s) become filled with cleaning and/or sanitizing solution as a replacement for product mix, permeant damage can and most likely will occur to the freezing cylinders if the solution is allowed to freeze, causing the soft serve machine to become inoperable. So, when asked to place the machine into "**Clean Mode**" during the Hydra Rinse® process, be sure to never select "**Freeze Mode**".

State Considerations:

(Included with HRWAND128 or LBUDDYSR):

With every **STLHR** is a LEXX™ pH Test Strip Kit. The test strip is used for measuring the acceptable range of pH for proper sanitization (strip should indicate less than 3.5pH).

For States requiring a total citric acid concentration (grams/Liter) semi-quantitative measurement (**Sold separately**). Use QUANTOFIX® Total acid part no. 91353 (Strip should indicate between 2.0-2.5 g/L)

Note: *Warranty is valid if authorized STLHR parts are acquired from an authorized STLHR Distributor/Reseller along with service work being performed by an authorized STLHR service technician. Hydra Rinse® reserves any right to deny warranty claims on device or parts if unofficial STLHR components were installed in the unit. This also applies to any modifications that fall out of the scope of factory recommendations, apparent abuse, or neglect.*

Note: *STLHR is under continuous research and engineering; any improvements to our product will lead to information changes within this manual and are subject to change without notice (www.hydrarinse.com).*



Battery Disposal:

Hydra Rinse® is powered by 3 C Dry Cell Batteries

- **Do Not** place in fire or incinerator.
- **Do Not** dispose in refuse.
- **Do** remember to recycle in accordance with local regulations.



Section 3: Safety



Implementation with any one of our products requires a thorough understanding of factory recommendations; complete knowledge of this Operators Manual is recommended.

Important Message



Failures to adhere to the listed safety precautions may result in severe personal injury or even death. Personal, unauthorized service or repairs to this unit may result in inadvertent damages, and excessive service repair expense.

Visual Inspection



As a good practice, please take time to periodically inspect components for unforeseeable issues that may arise due to wear or damage (e.g., Water lines, supply hoses). Hoses can be an obstacle resulting in tripping and/or falling hazards that result in injury. Always work carefully around hoses avoiding injury to anyone within direct and/or indirect contact.

Water can wreak havoc with compromised systems, especially with unprotected surroundings like electrical receptacles that are unprotected by ground fault circuit interruption (GFCI). Worn out extension cords can lead to electrical shock when exposed to water.

Water/ Temperature



Do not operate the **STLHR** with water temperatures above 120°F (48.9°C) is not recommended; burns will occur from over exposure.

Batteries



The Pro-control Module is designed for non-rechargeable batteries. Regular "C DRY CELL BATTERIES" can be exposed to some water for a short period of time: If this is the case, make sure batteries are completely dry before inserting into the Pro-control Module Battery Case.

Never change or remove the batteries when water is present. Find a dry, clean area when replacing batteries. Since the Pro-control Module is always around water, never substitute "DRY CELL BATTERIES" for any rechargeable batteries i.e., li-ion; use of Professional Alkaline Batteries is suggested.

If water enters the Pro-control Module Housing, discontinue usage immediately. Allow unit to air dry for 2 to 3 hours. If unit fails to operate correctly, replacement will be required; this failure is not covered under warranty.

WSF128-169 Portable Wandstation "HRWAND128"

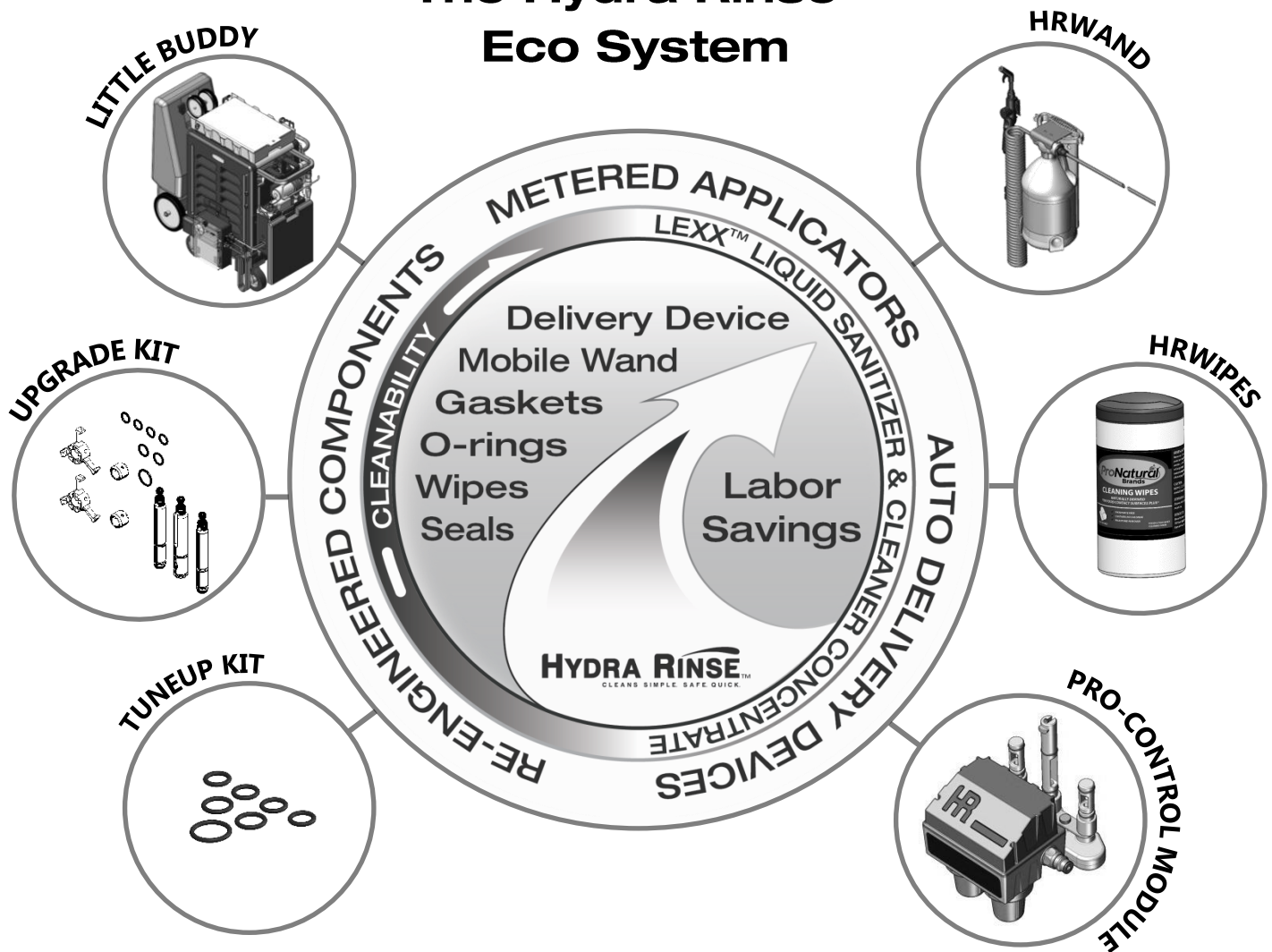
Never directly point the wand at anyone, for any reason. Never insert the Wand Tip into any orifice of any food dispensing device while beaters are in motion and/or electrically powered food equipment that may allow access to electrical circuitry/ components. When possible, always power off equipment before servicing to avoid electrocution/damage to device.

Section 4: Product Introduction

The Hydra Rinse® Eco System is comprised of a plurality of Hydra Rinse® products designed to work exclusively with ProNatural Brands® naturally derived LEXX™ Liquid Sanitizer and Cleaner Concentrate (LEXX™). The Hydra Rinse® Eco System was designed for cleaning food dispensing equipment i.e., soft serve ice cream machines.

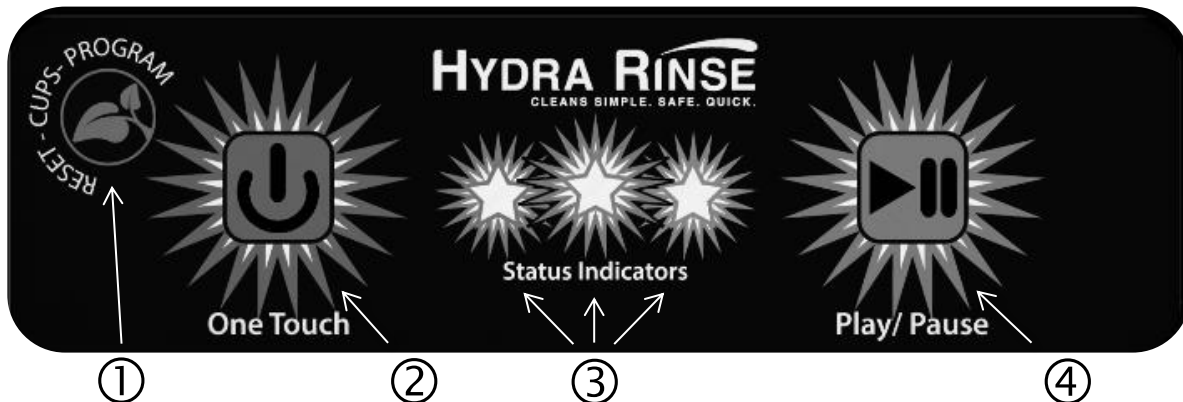
When you bring more components of The Hydra Rinse® Eco System into your cleaning process, the more time and money you begin to save while promoting a standardized cleaning solution for end users.

The Hydra Rinse® Eco System



Ask your participating Distributor/Reseller for more information about Hydra Rinse® products and their applications.

Section 5: User Interface 1 of 2



① The “RESET-CUPS-PROGRAM” button functionality:

- Reset the Pro-control Module processor/Read Firmware version
- Register cleaning/sanitizing cycles
- Read number of cleaning/sanitizing cycles available

② The “ONE TOUCH” button functionality:

- Initialize cleaning/sanitizing cycles
- Conclude cleaning/sanitizing cycle
- Self-clean mode when used simultaneously with the “PLAY/PAUSE” button

③ The “STATUS INDICATORS” LEDs:

- Power On/Cycle initiated
- Specific process codes
- Firmware Version
- Cycle paused
- Battery Low/Replacement Required
- Errors
- Number of registered cleaning/sanitizing cycles
- Cycle complete

④ The “PLAY/PAUSE” button functionality:

- Cancel initiated cleaning/sanitizing cycle
- Pause/Resume cleaning/sanitizing cycle
- Self-clean mode when used simultaneously with the “ONE TOUCH” button

Section 5: User Interface 2 of 2

An audible “BEEP” may also accompany many of the Status Indicator LED patterns. Audible sounds indicate to the end users that some kind of action may need to be taken e.g., place soft serve machine in “WASH/CLEAN MODE”, pause cycle for full teardown of the soft serve machine, batteries need to be replaced, some error needs to be resolved before operations can continue.

Section 16: “Pro-control Module LEDs” includes a table that breaks down the different patterns of the Status Indicator LEDs, along with descriptions and specific actions that may be required by the end user.

A unique function of the Status Indicators helps with registering/reading a “TOKEN TAG”. The Status Indicators will “BLINK” out the number of cleaning/sanitizing cycles stored inside the Pro-control Module when enabled.

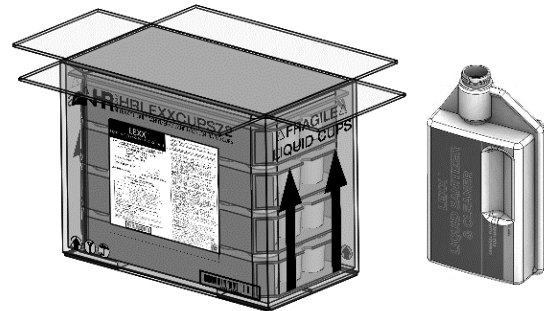
For instance, the “GREEN LED” will represent the hundreds place, the “YELLOW LED” will represent the tens place and the “RED LED” will represent the ones place

e.g., 136 stored cycles are represented with 1 Green blink, 3 Yellow blinks and 6 Red blinks, indicating 136 available cycles are stored inside the unit.

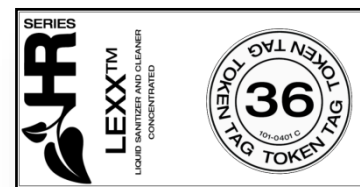


Section 6: LEXX™ Cups and Bottle Concentrate

● “LEXX™ Liquid Sanitizer and Cleaner Concentrate” is the steam engine behind the Hydra Rinse® Process. Its naturally derived ingredient provides for incredible efficiency, it also has no negative impact on product mix or residual taste when used as directed. Not only is it tasteless, but it also doesn’t require rinsing after application. LEXX’s ability to remove and prevent milkstone will be evident with every application.



The Hydra Rinse® System requires different products of the same formulation: The “LEXX™ CUPS”, which come 72 per box provide for 36 automated cleaning cycles; one cup (2 fl. oz.) for cleaning and one cup (2 fl. oz.) for sanitizing. The “MEASURE & POUR BOTTLES” provides for 32 automated cleaning cycles: 2 fl. oz. for cleaning and 2 fl. oz. for sanitizing.



(Illustration of TOKEN TAG for LEXX™ cups)

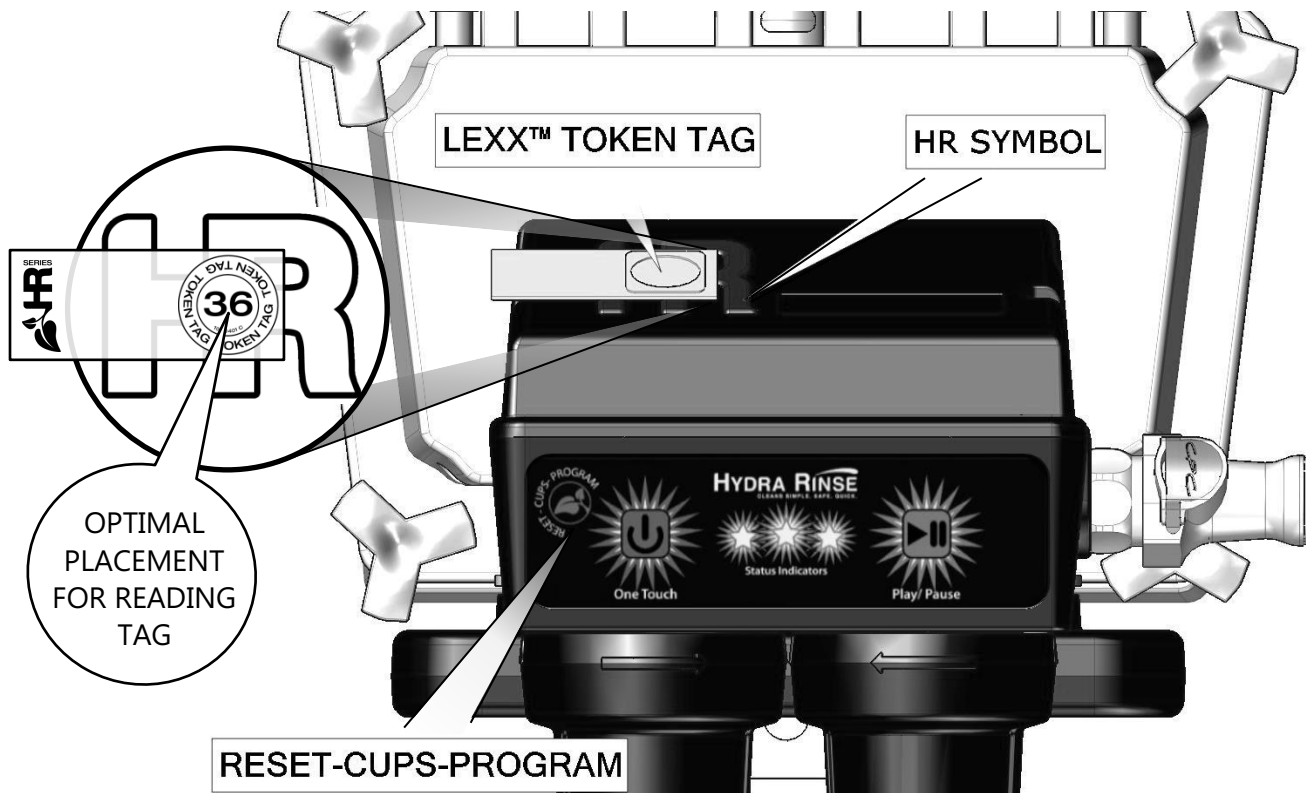
The “LEXX™ CUPS” comes with a 36 cycle “TOKEN TAG”, and the Measure & pour bottles come with a 32 cycle “TOKEN TAG”. The token tag is registered with the Pro-control Module. This step ensures the Hydra Rinse® Process is using the specific sanitizer/cleaner it was created for; end user safety, Hydra Rinse® cleaning and sanitizing results depend on LEXX™ Liquid Sanitizer and Cleaner Concentrate.

● There is also the 1 Gallon version of **LEXX™ Liquid Sanitizer and Cleaner Concentrate**. The 1 Gallon container directly attaches to the HRWAND128.

The HRWAND128 will be used to perform many of the cleaning/sanitizing tasks within the Hydra Rinse® Process.



Section 7: Registration of Token Tag



(For reading out number of available cycles, use an old/previous registered "TOKEN TAG"!)

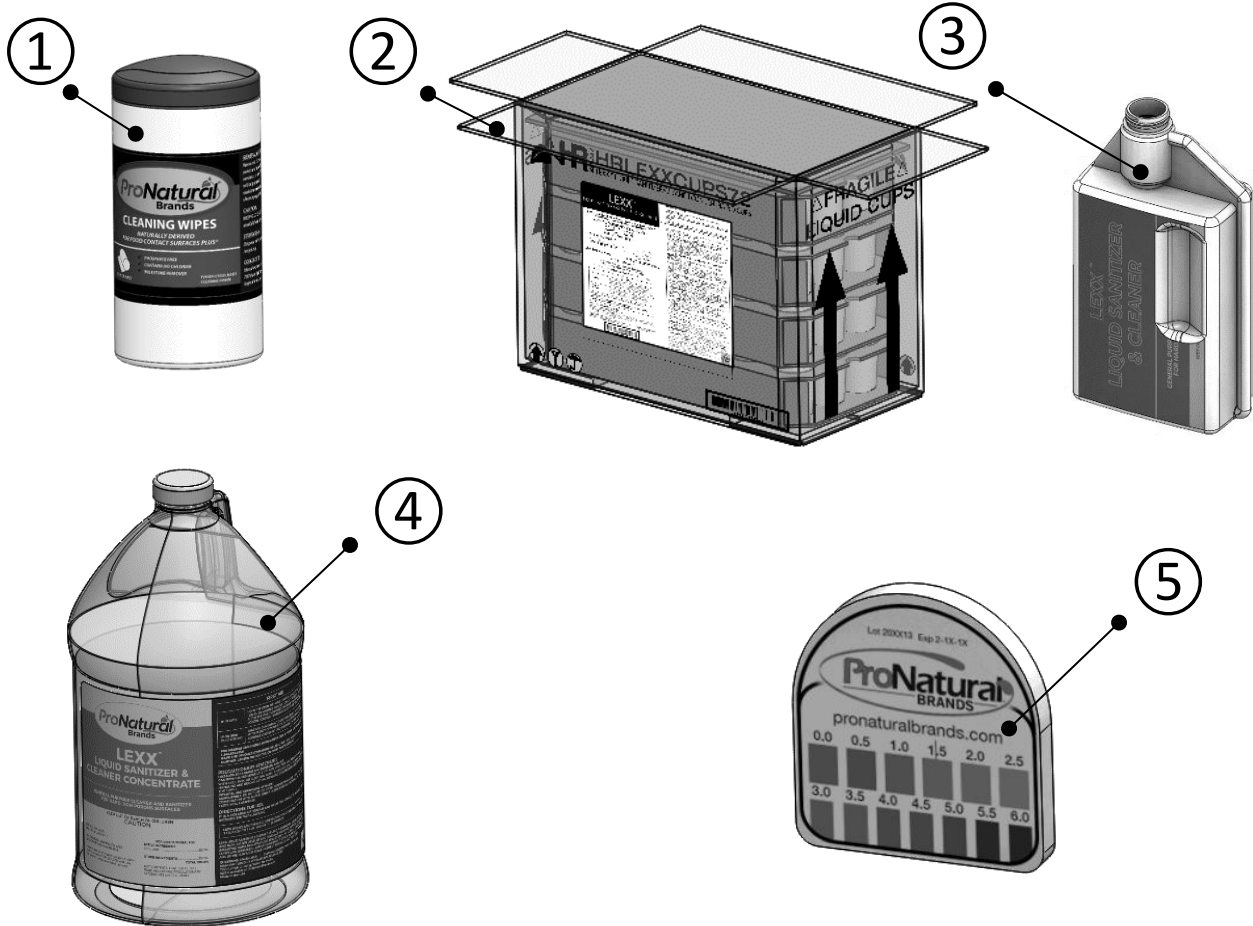
Before the Pro-control Module can be put into operation, first install batteries (Section 17: Battery Replacement) followed by registration of the "TOKEN TAG". The "TOKEN TAG" can be found inside either box of "LEXX™ CUPS" or "LEXX™ MEASURE AND POUR"; more specifically it's directly attached to the LEXX™ Liquid Sanitizer and Cleaner Concentrate product insert card.

To register your new sanitizer/cleaner, simply hold the "TOKEN TAG" up against the "HR SYMBOL" located on the top cover of the Pro-control Module as illustrated; placing the portion of the Token Tag that contains the printed number of cycles up against the "HR SYMBOL" i.e., exactly in the center of the "HR SYMBOL" as illustrated.

While holding the "TOKEN TAG" in position, whether for registering or reading, press and then release the "RESET-CUPS-PROGRAM" button; the LEDs will begin to illuminate. Once the "TOKEN TAG" has been successfully registered a "BEEP" will be heard, followed by the "STATUS INDICATORS" blinking out the number of stored cycles within the Pro-control Module.

To conclude the "TOKEN TAG" registration process, once again press and then release the "RESET-CUPS-PROGRAM" button, but this time without the "TOKEN TAG" present. This will reset the Pro-control Module rendering it ready for use.

Section 8: Referenced Components



IMAGES FOR ILLUSTRATION ONLY

Item:	Description:
01	PRONATURAL® CLEANING WIPES
02	LEXX™ CUPS
03	LEXX™ MEASURE AND POUR LIQUID SANITIZER AND CLEANER CONCENTRATE BOTTLE
04	LEXX™ LIQUID SANITIZER AND CLEANER CONCENTRATE
05	LEXX™ pH TEST STRIPS (Included with Wand Products)

Section 9: Required Water and Drain Source

○ WATER SOURCE:

It's important to have proper water pressure, water flow and water temperature (**Section 1: Installation Guidelines**). To ensure water temperature stays constant during the automated sequence, a "TEMPERATURE MIXING VALVE" (1) is recommended; must be installed in accordance with all applicable Local, State, National and Provincial Codes, Ordinances, Regulations and Laws.

Once the "FITTING, Y-GHT SPLITTER" item (17) is snug fitted to the "TEMPERATURE MIXING VALVE" item (1), continue to rotate the female GHT fitting counterclockwise for an additional 90-110° to insure a good tight fit. Repeat the same process for installing both the "25 FOOT POLYURETHANE 3/8" O.D. WATER SUPPLY ASSEMBLY" item (16) and for the combined "5 FOOT HOSE ASSEMBLY/EXTENDED WATER SUPPLY HOSE" item (15).

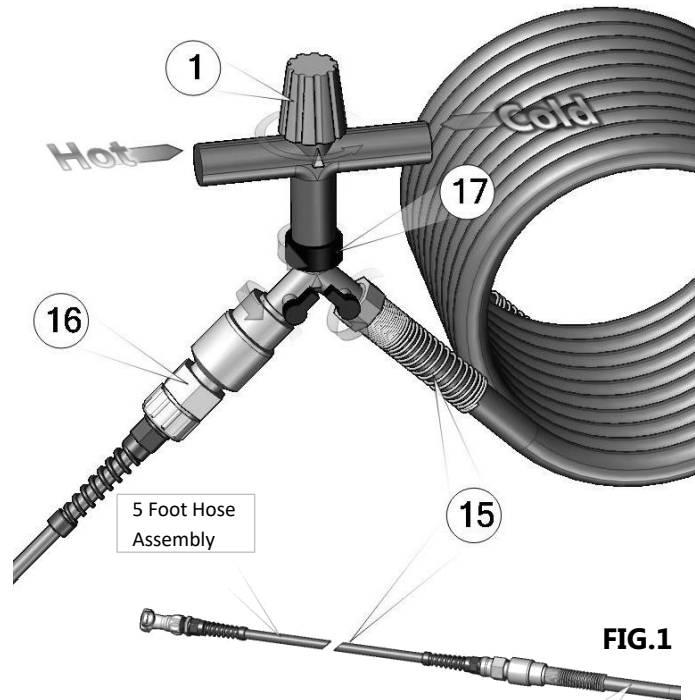


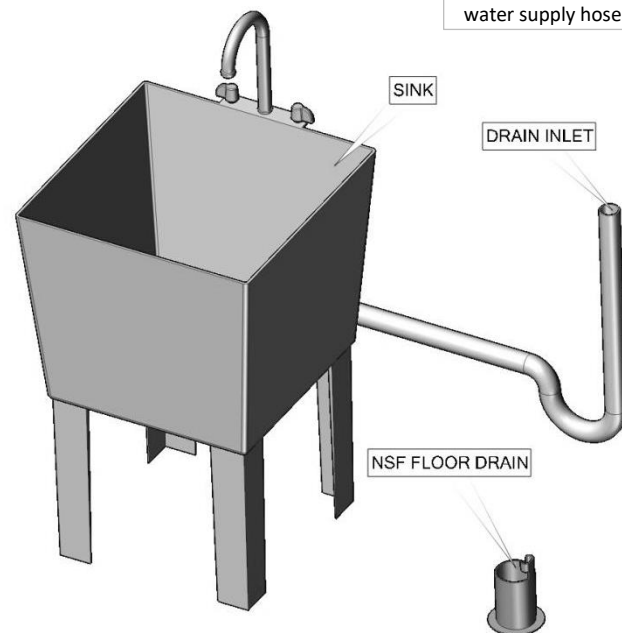
FIG.1

○ DRAIN SOURCE:

There are three approved methods for waste discharge that flows from the "25' BYPASS SYSTEM DRAIN HOSE", which extends from the "BYPASS SYSTEM".

Unlike discharging waste through the "FREEZER DOOR" as in manual operations, the automated sequence of the Hydra Rinse® Process manages waste by removing it up through the food product mix inlet hole(s), completely opposite of traditional methods.

The uses of a Sink, Drain Inlet, or an NSF approved floor drain e.g., 1- 1/2" above drain gate, are all valid options for the waste discharge.



(Image for illustration only) **FIG.2**

Section 10: HRWAND128 Portable Wandstation

● GENERAL INFORMATION:

Refer to your operator's manual supplied cleaning process. It can be used on all hard-non-porous food contact related surfaces of all soft serve equipment during the Hydra Rinse® Process. The Wandstation eliminates the need for manual mixing of cleaner/sanitizer solution with the HRWAND128 product for installation process and mounting information.

The "MOUNTING BRACKET" performs three simple features:

1. It provides a sturdy nesting place for the HRWAND128.
2. It's designed to be NSF compliant, meaning that it requires no tools for easy cleaning and removal for going mobile.
3. The lower hanging feature allows for easy stowing of the "POLYURETHANE 3/8" O.D. WATER SUPPLY HOSE"

As you will see the HRWAND128 is an important device used in the Hydra Rinse®

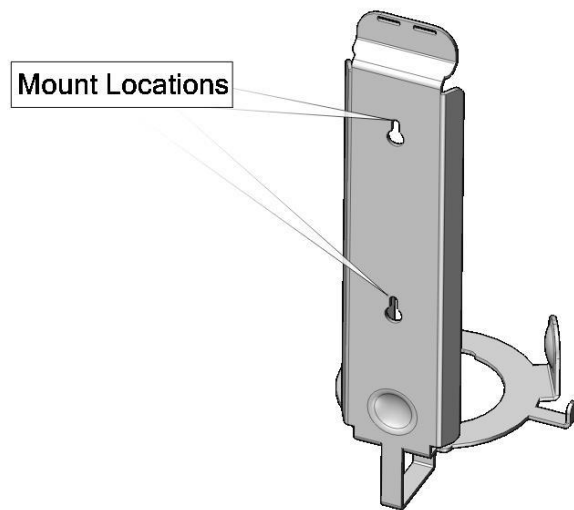


FIG.C

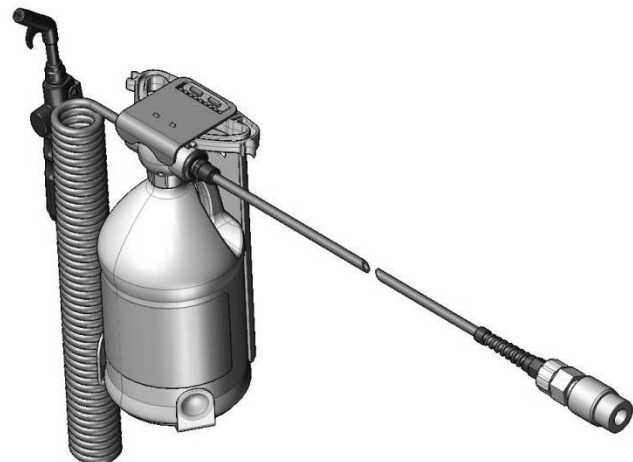


FIG.D

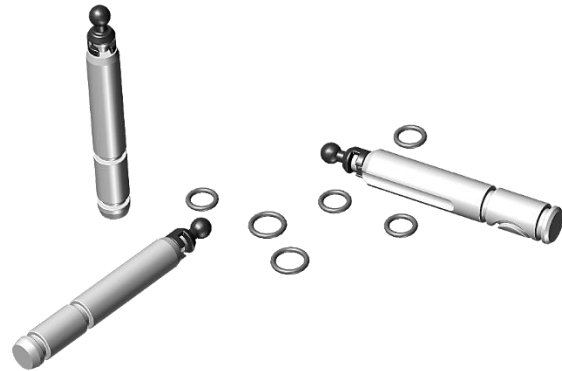
Section 11: Upgraded Components

● UPGRADED COMPONENTS:

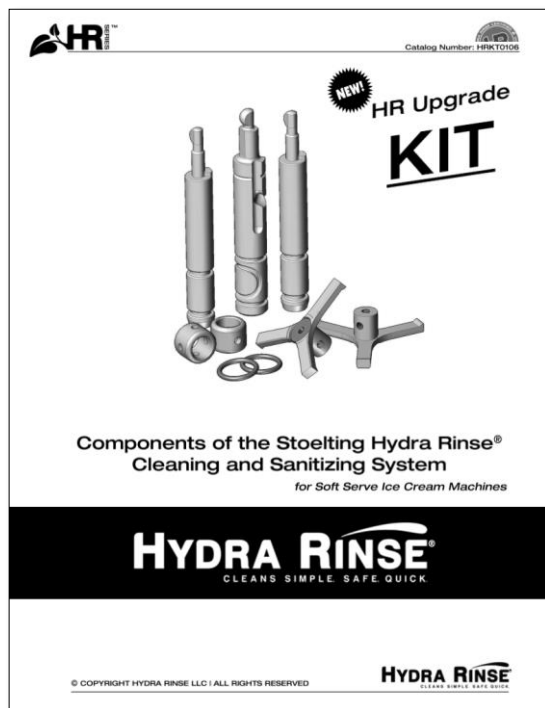
Be sure to upgrade every soft serve machine that is intended for cleaning with the Hydra Rinse® System (www.hydrarinse.com). Hydra Rinse® upgraded components are specific for every **STLHR** variant.

Installation of these upgraded components allows the Hydra Rinse® System to perform efficiently.

If a Lubeless Upgrade kit is available for your **STLHR** model, food safe lube will no longer be required for many of the illustrated components in **FIG.E**. Check with your authorized **STLHR** Distributor/Reseller for availability.



(Image for illustration only) **FIG.E**



(Image for illustration only) **FIG.F**

Section 12: NSF Certified Hydra Rinse® Process

✦ **Upgrading soft serve machine (Section 11: Upgraded Components) prior to performing the Hydra Rinse® Process is required** ✦

- Step 1:** Review Section 14: "Details of the Hydra Rinse® Process" before referencing this document
- Step 2:** Place machine in "Sleep Mode". Wait approximately 4 to 5 hours for product to reach temperature >30°F (-1.1°C). Take machine out of "Sleep Mode" and ensure "Freeze Mode" is disabled for each freezing cylinder. Prepare utility items e.g., buckets, brushes, etc.
- Step 3:** Remove product mix, mix container(s) and drawers if applicable. Carefully reposition suction tube inlet(s)/adaptor(s) to the back of the refrigeration cabinet: if there is a top cover(s), clean/sanitize using LEXX™ solution, wipes and/or towels (place on sanitized surface).
- Step 4:** Place a two-bay catch bucket in lower refrigeration cabinet that has either 2 US gallons of warm water (112°F/ 44.4°C) or LEXX™ solution; move end of suction tube inlet(s)/adaptor(s) into empty bay. Turn on "Pump" and "Clean Mode" for each freezing cylinder. Drain product from soft serve machine into sanitized bucket(s) if intended for re-run (immediately refrigerate). Turn off "Pump" and "Clean Mode" for each freezing cylinder.
- Step 5:** Submerge end of suction tube inlet(s)/adaptor(s) into the two-bay catch bucket solution. Turn on "Pump" and open the air bleed valve for each freezing cylinder. Fill freezing cylinder until discharge from air bleeder valve(s) occurs. Close air bleed valve(s), de-activate the Pump(s) and place each freezing cylinder in "Clean Mode" for ~2 minutes, and then drain. If removing product mix that is frozen and/or has >= 10% fat content, refill two-bay catch bucket with ~2 US gallons of LEXX™ solution using wand and repeat **STEP 5**.
- Step 6:** Prepare front door: Remove spigot(s), flush air bleeder valve(s) with LEXX™ solution. Also, flush and wipe clean all exposed surfaces of the front door using wand, wipes and/or towels.
- Step 7:** Clean/flush suction tube inlet adaptor check valve(s) if applicable and re-submerge in LEXX™ solution. Remove manifold blocks, flush and wipe clean both the manifold block(s) and the manifold switch mount(s). Install the bypass manifold; remember to fasten the bypass manifold clip(s) to the manifold block(s) to avoid spillage. Securely connect bypass drain line to an approved drain source.
- Step 8:** Install the Pro-control Module and engage keeper switch to secure in place.
- Step 9:** Wet the quick connect on either the Pro-control Module or on the water supply hose with LEXX™ solution and/or wipes.
- Step 10:** Connect the water supply hose to the Pro-control Module. Remove cup housings from the Pro-control, and insert either 1 new LEXX™ Cup, or 2 fluid ounces of LEXX™ into each Cup Housing. Re-attach the cup housings to the Pro-control Module: (Ensure tokens are registered and water source is on).
- Step 11:** Review readiness check list. Press and then release the "ONE TOUCH" button to initialize the Pro-control Module cycle.
- Step 12:** Open the air bleed valve(s) for each freezing cylinder. Hold open for ~35 seconds, or first audible beep from the Pro-control Module. Release air bleed valve(s). Turn on "Pump" and "Clean Mode" for each freezing cylinder.
- Step 13:** Begin cleaning removed components i.e., spigot(s), mix container(s) and drawer(s) if applicable, once the LEXX™ solution is depleted from the two-bay catch bucket, turn off the "Pump" for each freezing cylinder.
- Step 14:** Pause the Pro-control Module cycle when prompted (sequential audible beeps with all three LEDs Flashing). Take soft serve machine out of "Clean Mode" for each freezing cylinder; power off the soft serve machine. Disconnect the water supply hose, drain machine (Section 14 page 31) and then remove the Pro-control Module from the front door. Remove front door and internal components of the soft serve machine for mechanical scrubbing; clean and then sanitize all components including all front door components/surfaces; follow manufacturer's recommended cleaning protocol for the lower refrigeration cabinet (you'll need to temporarily remove the bypass system). Re-assemble soft serve machine, and then re-install front door. Re-connect the pro control, bypass system and water supply hose. Power up the soft serve machine. Press and then release the "PLAY/PAUSE" button on the Pro-control Module to resume cycle. Hold open the air bleed valve(s) for ~35 seconds. Release the air bleed valve(s). Place soft serve machine back into "Clean Mode" for each freezing cylinder.
- Step 15:** Continue to clean and sanitize mix container(s), drawer(s) if applicable and whatever still needs cleaning while the Pro-control Module is completing its sanitizing cycle.
- Step 16:** When the "Green LED" is steadily blinking, the Pro-control Module cycle is complete. Take machine out of "Clean Mode" for each Freezing cylinder. Disconnect the right "Manifold Block" from the "Bypass manifold", and allow solution to drain into an empty bay of the two-bay catch bucket. Place sanitized catch bucket under the Pro-control Module. Remove left cup housing, and temporarily turn on "Clean Mode" for each freezing cylinder to drain any remaining solution from the machine. Re-attach left cup housing after draining is completed. Press and then release the "PLAY/PAUSE" button to place the Pro-control Module back into "sleep mode".
- Step 17:** Disengage the keeper switch and remove the Pro-control Module and the bypass system from soft serve machine. Give the lower refrigeration cabinet a good rinse and wipe down; reassembly soft serve machine front door with spigot(s), lower refrigeration cabinet components mix container(s) and drawer(s) if applicable.
- Step 18:** Wipe down soft serve machine outer shell with wipes and/or toweling. Check and clean all drip tray(s)/pan(s).
- Step 19:** Reconnect the water supply hose to the Pro-control Module, and run "Self-clean Mode" while cleaning with wipes and/or towel (enter self-clean mode by holding down both the "One Touch" and the "Play/Pause" buttons simultaneously for 5 seconds).
- Step 20:** Sanitize bypass manifold, OEM barrel brushes and anything else used during this process with LEXX™ solution before stowing.
- Step 21:** Add product mix and return mix container cover(s) if applicable; place machine in "Freezing Mode". If product mix is not being added Back into the soft serve machine following this process, then remove the front door and all internal components for air drying.

Remember to perform a Pro-control Module self-cleaning cycle after every use.

Section 13: NSF Certified Flavor Change Process

✦ **Upgrading soft serve machine (Section 11: Upgraded Components) prior to performing the Hydra Rinse® Process is required** ✦

- Step 1:** Review Section 14: "Details of the Hydra Rinse® Process" before referencing this document
- Step 2:** Place machine in "Sleep Mode". Wait approximately 4 to 5 hours for product to reach temperature >30°F (-1.1°C). Take machine out of "Sleep Mode" and ensure "Freeze Mode" is disabled for each freezing cylinder. Prepare utility items e.g., buckets, brushes, etc.
- Step 3:** Remove product mix, mix container(s) and drawers if applicable. Carefully reposition suction tube inlet(s)/adaptor(s) to the back of the refrigeration cabinet: if there is a top cover(s), clean/sanitize using LEXX™ solution, wipes and/or towels (place on sanitized surface).
- Step 4:** Place a two-bay catch bucket in lower refrigeration cabinet that has either 2 US gallons of warm water (112°F/ 44.4°C) or LEXX™ solution; move end of suction tube inlet(s)/adaptor(s) into empty bay. Turn on "Pump" and "Clean Mode" for each freezing cylinder. Drain product from soft serve machine into sanitized bucket(s) if intended for re-run (immediately refrigerate). Turn off "Pump" and "Clean Mode" for each freezing cylinder.
- Step 5:** Submerge end of suction tube inlet(s)/adaptor(s) into the two-bay catch bucket solution. Turn on "Pump" and open the air bleed valve for each freezing cylinder. Fill freezing cylinder until discharge from air bleeder valve(s) occurs. Close air bleed valve(s), de-activate the Pump(s) and place each freezing cylinder in "Clean Mode" for ~2 minutes, and then drain. If removing product mix that is frozen and/or has >= 10% fat content, refill two-bay catch bucket with ~2 US gallons of LEXX™ solution using wand and repeat **STEP 5**.
- Step 6:** Prepare front door: Remove spigot(s), flush air bleeder valve(s) with LEXX™ solution. Also, flush and wipe clean all exposed surfaces of the front door using wand, wipes and/or towels. Ensure ~ 2 US gallons of LEXX™ solution is available in the two-bay catch bucket.
- Step 7:** Clean/flush suction tube inlet adaptor check valve(s) if applicable and re-submerge in LEXX™ solution. Remove manifold blocks, flush and wipe clean both the manifold block(s) and the manifold switch mount(s). Install the bypass manifold; remember to fasten the bypass manifold clip(s) to the manifold block(s) to avoid spillage. Securely connect bypass drain line to an approved drain source.
- Step 8:** Install the Pro-control Module and engage keeper switch to secure in place.
- Step 9:** Wet the quick connect on either the Pro-control Module or on the water supply hose with LEXX™ solution and/or wipes.
- Step 10:** Connect the water supply hose to the Pro-control Module. Remove cup housings from the Pro-control, and insert either 1 new LEXX™ Cup, or 2 fluid ounces of LEXX™ into each Cup Housing. Re-attach the cup housings to the Pro-control Module: (Ensure tokens are registered and water source is on).
- Step 11:** Review readiness check list. Press and then release the "ONE TOUCH" button to initialize the Pro-control Module cycle.
- Step 12:** Open the air bleed valve(s) for each freezing cylinder. Hold open for ~35 seconds, or first audible beep from the Pro-control Module. Release the air bleed valve(s). Turn on "Pump" and "Clean Mode" for each freezing cylinder.
- Step 13:** Begin cleaning removed components i.e., spigot(s), mix container(s) and drawer(s) if applicable, and whatever needs cleaning while the Pro-control Module is completing its sanitizing cycle (~7 minutes). Once the ~2 US gallons of LEXX™ solution is depleted from the two-bay catch bucket, turn off the "Pump" for each freezing cylinder.
- Step 14:** When the "Green LED" is steadily blinking, the Pro-control Module cycle is complete. Take machine out of "Clean Mode" for each Freezing cylinder. Disconnect the right "Manifold Block" from the "Bypass manifold", and allow solution to drain into an empty bay of the two-bay catch bucket. Place sanitized catch bucket under the Pro-control Module. Remove left cup housing, and temporarily turn on "Clean Mode" for each freezing cylinder to drain any remaining solution from the machine. Re-attach left cup housing after draining is completed. Press and then release the "PLAY/PAUSE" button to place the Pro-control Module back into "sleep mode".
- Step 15:** Disengage the keeper switch and remove the Pro-control Module and the bypass system from soft serve machine. Use LEXX™ solution, OEM barrel brushes, wipes and/or towels to mechanically scrub the spigot port(s); flush air bleed valve(s) if needed. Give the lower refrigeration cabinet a good rinse and wipe down; reassembly soft serve machine front door with spigot(s), lower refrigeration cabinet components mix container(s) and drawer(s) if applicable.
- Step 16:** Wipe down soft serve machine outer shell with wipes and/or toweling. Check and clean all drip tray(s)/pan(s).
- Step 17:** Reconnect the water supply hose to the Pro-control Module, and run "Self-clean Mode" while cleaning with wipes and/or towel (enter self-clean mode by holding down both the "One Touch" and the "Play/Pause" buttons simultaneously for 5 seconds).
- Step 18:** Sanitize bypass manifold, OEM barrel brushes and anything else used during this process with LEXX™ solution before stowing.
- Step 19:** Add product mix and return mix container cover(s) if applicable; place machine in "Freezing Mode". If product mix is not being added Back into the soft serve machine following this process, then remove the front door and all internal components for air drying.

Remember to perform a Pro-control Module self-cleaning cycle after every use.

Section 14: Details of the Hydra Rinse® Process

[For cleaning frequency, please refer to your Original Equipment Manufacturer (OEM) recommendations]

● PREPERATION OF UTILITY ITEMS:

It's always good practice to clean and sanitize all utility items like Waste Catch Buckets and OEM Brushes before beginning the cleaning and sanitizing of the soft serve machine; use the HRWAND128 and Hydra Rinse® Wipes for time savings and operator efficiency.



● DISABLE FREEZE MODE:

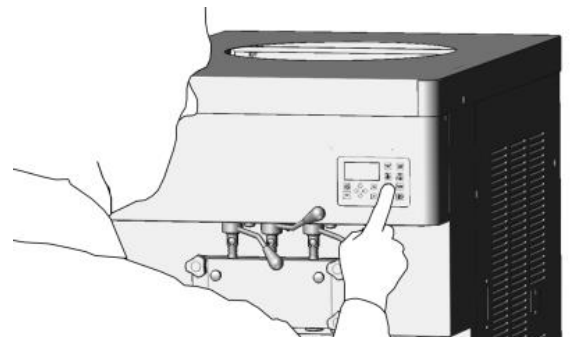
Allow the soft serve machine to be in "SLEEP MODE" **FIG.2** for a minimum of 4 hours to optimize the volume of product mix recovery.

This step will also reduce the number of pre-rinse cycles required when compared to removing frozen product mix from the freezing cylinder(s).

Fill a "TWO-BAY CATCH BUCKET" with warm water (~112.5°F (44.7°C)) or LEXX™ solution if removing frozen product mix from the freezing cylinder(s): Lock the HRWAND128 Trigger in the dispensing position for automatic operation.



(Image for illustration only) **FIG.1**



(Image for illustration only) **FIG.2**

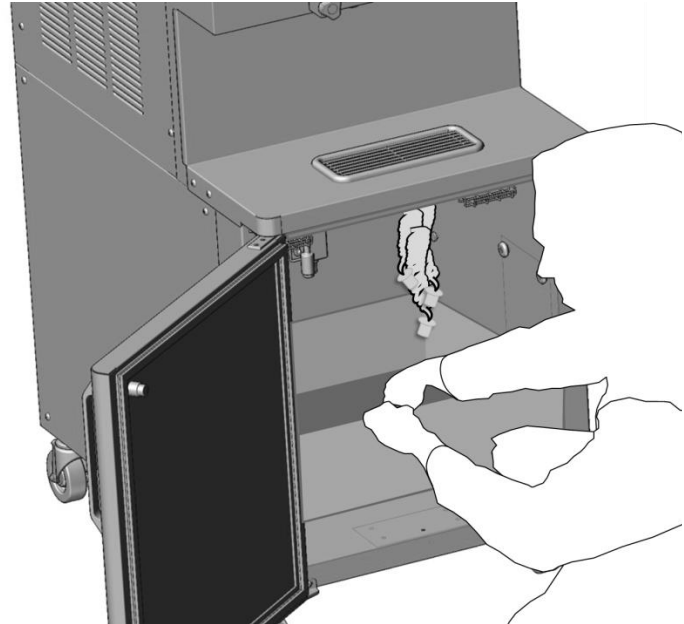
Note: Using the LEXX™ sanitizing and cleaning solution in place of warm water will increase the proficiency associated with the removal of frozen product mix (also suggested for product mix with greater than or equal to 10% fat content).

Note: Ensure that "FREEZE MODE" is disabled for each Freezer Cylinder.

Section 14: Details of the Hydra Rinse® Process

● PREPPING LOWER CABINET:

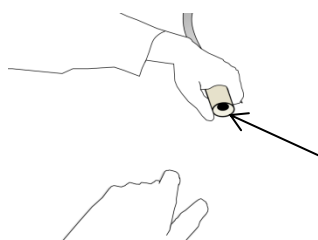
If the soft serve machine is configured to use product mix in bags instead of being added directly to a "MIX CONTAINER(S)": First disconnect Product Mix Bag(s) and remove from product drawers; removing product drawer(s) independent from the product reduces the overall weight **FIG.3**; carefully reposition the "SUCTION TUBE ADAPTOR(S)" to the back of the machine.



(Image for illustration only) **FIG.3**

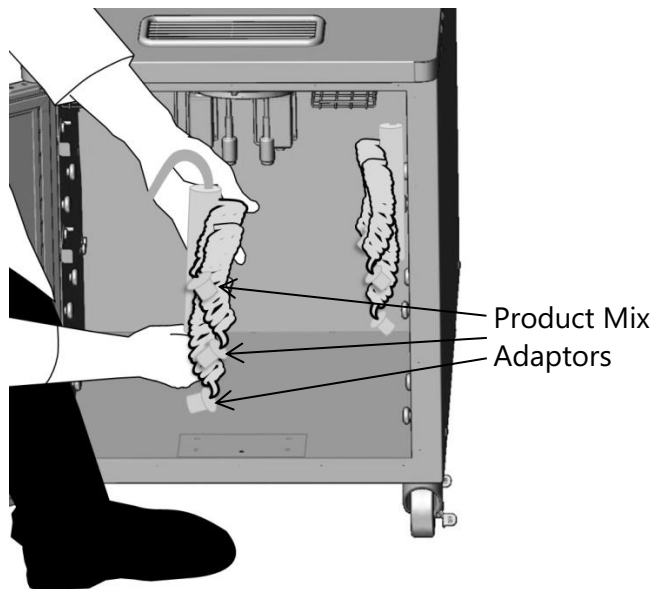
● SUCTION TUBE INLET:

It's important that the "SUCTION TUBE INLET ADAPTOR(S)" is unobstructed during the cleaning and sanitizing process. If the suction tube adaptor is equipped with a removable one-way check valve **FIG.4**, leave it in place until instructed otherwise.



Product Mix
Suction Tube
Inlet Adaptor
Check Valve

(Image for illustration only) **FIG.4**



(Image for illustration only) **FIG.5**

Section 14: Details of the Hydra Rinse® Process

○ REMOVE PRODUCT FROM MACHINE:

Initiate "CLEAN MODE" and "PUMP" for each freezing cylinder. Try to remove as much product mix as possible; never attempt to use the Hydra Rinse® System with more than 75% frozen and/or thawed product mix present in the "FREEZING CYLINDER(S)".

If your machine is equipped with "MIX CONTAINER COVER(S)": Clean and sanitize prior to removing product mix. Place cover(s) on a sanitized surface; this will allow enough time for air drying before re-assembly.



○ PRODUCT MIX RE-RUN:

Once product mix has been removed from the freezing cylinder(s), immediately refrigerate.

If you're pre-filling the "TWO-BAY CATCH BUCKET", it should have ~2 US gallons of LEXX™ solution dispensed into it by now; if so, disengage the HRWAND128 Wand Trigger to temporarily interrupt dispensing solution; disable "CLEAN MODE" and the "PUMP" for each freezing cylinder.



(Image for illustration only) **FIG.6**



(Image for illustration only) **FIG.7**



Note: Refer to your State and local health codes for re-run permissibility.

Section 14: Details of the Hydra Rinse® Process

● TWO-BAY CATCH BUCKET:

After removing the "PRODUCT MIX DRAWER(S)" or "PRODUCT MIX CONTAINER(S)" from the lower refrigeration cabinet, replace them with the "TWO-BAY CATCH BUCKET" as illustrated.

Submerge the "SUCTION TUBE ADAPTOR(S) AND MANIFOLD(S)" into the solution at this time if applicable **FIG.8**.



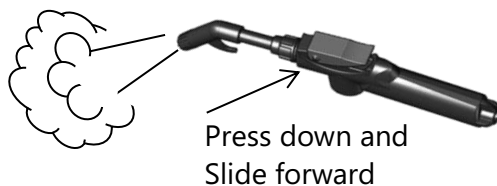
NOTE: Ensure catch bucket is cleaned and sanitized before use

● ADD WARM WATER/ LEXX SANITIZER AND CLEANER SOLUTION:

If you didn't pre-fill the "TWO-BAY CATCH BUCKET", add ~2 US gallons of warm water (112°F/ 44.4°C).

As previously mentioned, for pre-rinsing product mix that is frozen and/or has greater than or equal to 10% Fat content, using the HRWAND128 LEXX™ solution as a substitution **FIG.9**. This will increase the efficiency of the pre-rinse process.

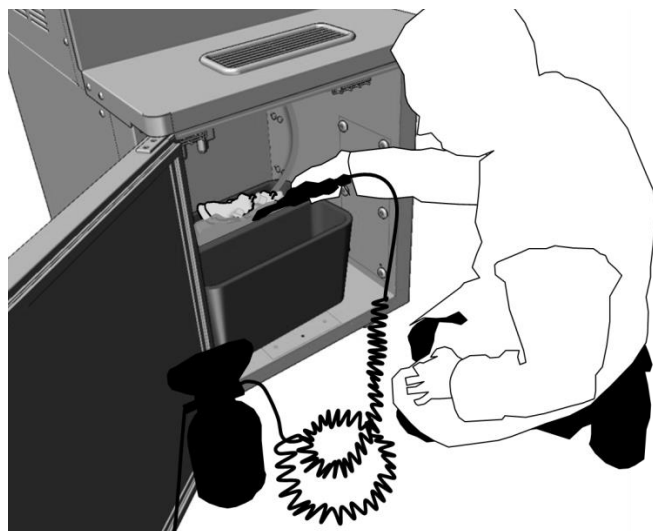
The HRWAND128 has a locking feature on the trigger. Simply press down and then slide the trigger forward to temporarily lock the trigger into the automatic position **FIG.9A**. Allow LEXX™ to continue dispensing (dispense rate is ¼ US gallons per minute).



(Image for illustration only) **FIG.9A**



(Image for illustration only) **FIG.8**



(Image for illustration only) **FIG.9**

Note: Ensure that the ends of the "SUCTION TUBE ADAPTOR(S)" are fully submersed in the pre-rinse solution. You can add paper toweling to the lower cabinet to aid in capturing any residual solution that may occur during this process.

Section 14: Details of the Hydra Rinse® Process

○ PRE-RINSE FREEZER BARRELS:

Begin filling the second bay with LEXX solution using the HRWAND128 (~2 US gallons required); this will be used later for the sanitizing portion of this process.

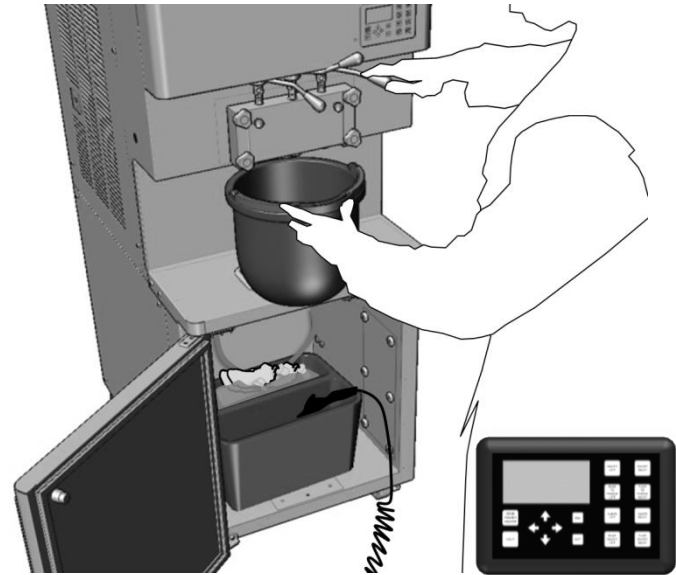
Place a second catch bucket underneath the "FRONT DOOR". Open the "AIR BLEED VALVE(S)" on the "FRONT DOOR", and then activate the "PUMP(S)" to allow the pre-rinse solution from the "TWO-BAY CATCH BUCKET" to fill the "FREEZING CYLINDER(S)".

Once the freezing cylinder(s) are ~2/3 filled with solution: Close the "AIR BLEED VALVE(S)", de-activate the pump(s) and immediately place machine in "CLEAN MODE" for each freezing cylinder (~2 minutes of agitation).

While draining, allowing a portion of discharge solution to flow through all "SPIGOT(S) PORTS".

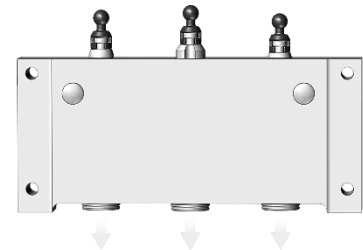
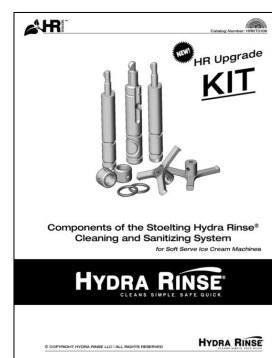
Note: Repeat this process to adequately pre-rinse the "FREEZING CYLINDER(S)" if performing this process without allowing the machine to be in "SLEEP MODE" for a minimum of 4 hours and/or the machine has product mix with greater than or equal to 10% Fat content; simply move the HRWAND128 back into the pre-rinse bay to replenish the "TWO-BAY CATCH BUCKET" with ~2 US gallons of solution.

The "SPIGOT(S)" has been re-designed to be removable **FIG.11** without removing the front door; ask your participating reseller for more information about Hydra Rinse® Ready Components.



(Image for illustration only) **FIG.10**

Note: Take a wipe and hold it over an open "AIR BLEED VALVE". Allowing solution to flush out the open port for ~5 seconds per freezing cylinder.



(Images for illustration only) **FIG.11**

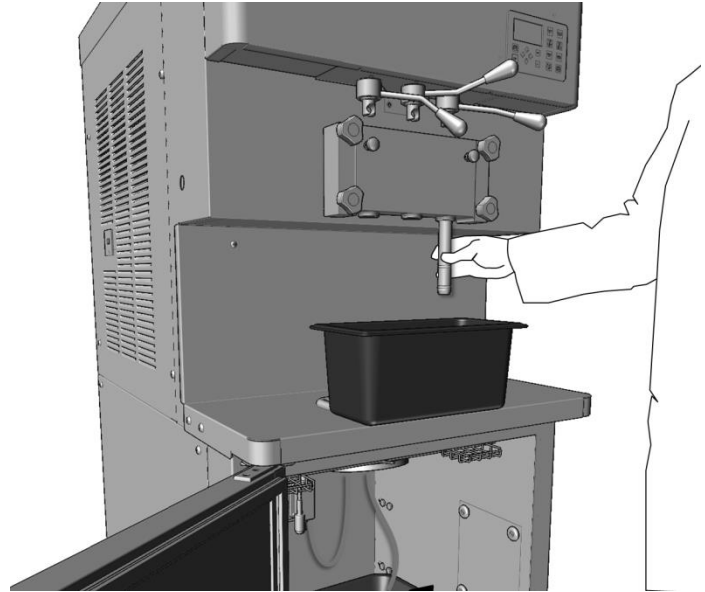
Section 14: Details of the Hydra Rinse® Process

● PREPARING FRONT DOOR:

Take the machine out of "CLEAN MODE", slowly release any pressure from the freezing cylinder(s), and then begin to remove the "SPIGOT(S)" **FIG.12**.



Note: Removable Spigots also allow for the ability to replace O-rings while frozen product mix is still in the machine during "FREEZER MODE", which increases productivity by alleviating downtime; just remember to disable "FREEZER MODE" and release any pressure from the freezing cylinder(s) if you ever need to service a spigot O-ring on the fly!

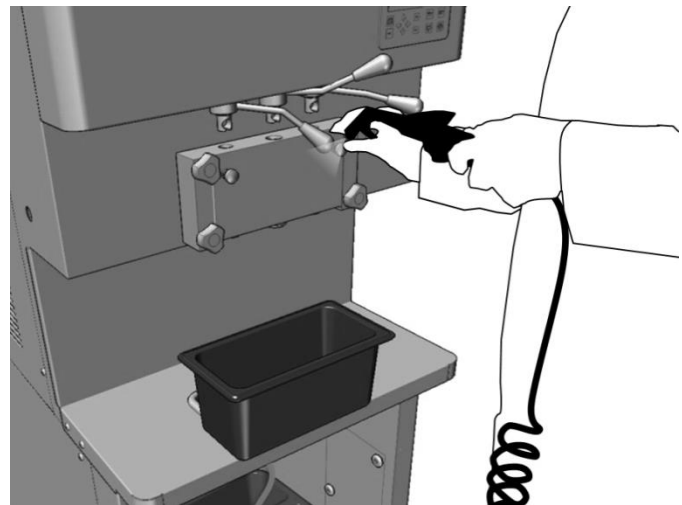


(Image for illustration only) **FIG.12**

● PRE-RINSE AIR BLEED VALVE(S):

Using the HRWAND128 and Hydra Rinse® Wipes: Rinse away any remaining product mix from all "AIR BLEED VALVE(S)" **FIG.13**.

Chase some LEXX™ sanitizer/cleaner solution down inside the "AIR BLEED VALVE(S)" using the HRWAND128 for roughly 5 seconds; feather the air bleed valve(s) while flushing soiled surfaces to allow solution to flow through and around the entire valve.



(Image for illustration only) **FIG.13**

Section 14: Details of the Hydra Rinse® Process

○ PREPARING FRONT DOOR FOR THE PRO-CONTROL MODULE:

Wipe all soiled "FRONT DOOR" surfaces clean using "HYDRA RINSE® WIPES" **FIG.14**.

Using disposable wipes instead of re-usable cleaning towels is a big game changer in reducing the potential of recontamination during the clean and sanitizing process.

Note: If needed, take a wipe, and hold it over a spigot outlet (bottom of front door). Dispense the HRWAND128 LEXX™ solution in through the top spigot opening. Flush away any excessive product mix residual that may be present; place a 5 quart catch bucket below front door to capture any dripping solution. Repeat for each spigot outlet as needed.



(Image for illustration only) **FIG.14**

○ CLEAN SUCTION TUBE ADAPTOR(S) CHECK VALVE:

If your machine has a product mix adaptor(s) connected to the end of the product suction tube(s), then most likely the adaptor has a check valve.

If the "PRODUCT MIX ADAPTOR CHECK VALVE" is removable, remove it and clean off all visible soiling. Do not replace the check valve(s) until after the sanitize cycle has been completed. If the "PRODUCT MIX ADAPTOR CHECK VALVE(S)" is not removable, clean it thoroughly per manufacturer's recommendations.

Place adaptors back into the pre-rinse solution as illustrated **FIG. 15**; ensure the adaptor(s) are fully submerged in the solution; ensure to clean off all residual product mix from the suction tube adaptor(s) and manifold(s) surfaces.

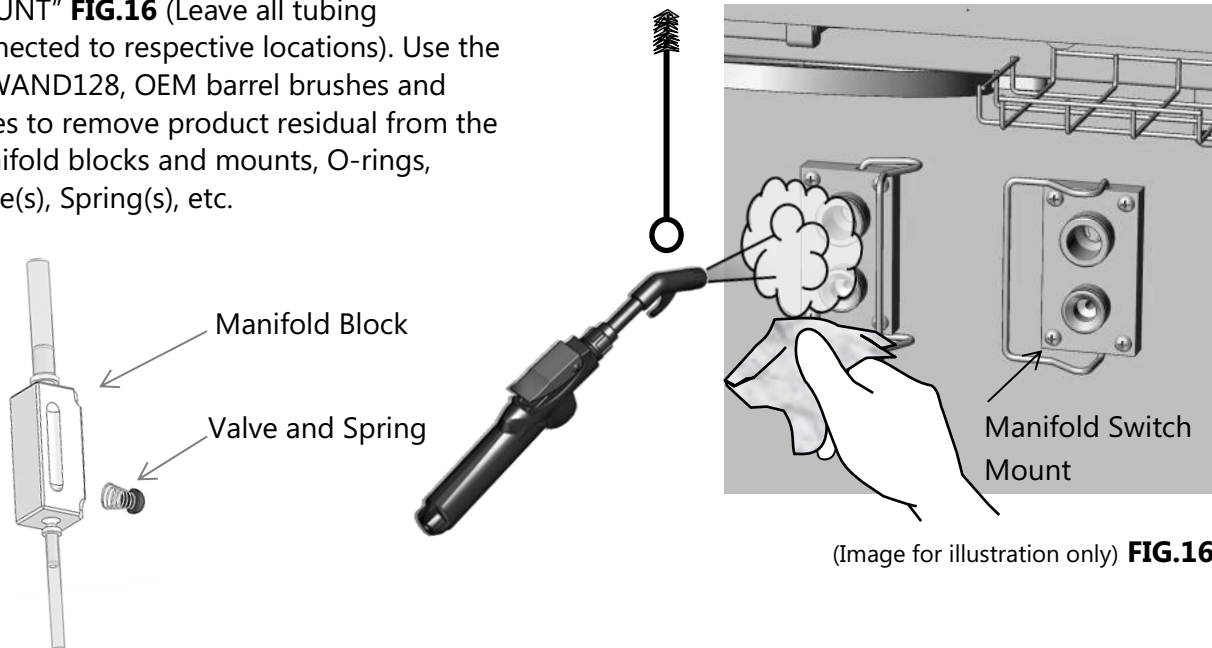


(Image for illustration only) **FIG.15**

Section 14: Details of the Hydra Rinse® Process

○ PREPARE MANIFOLD BLOCK(S):

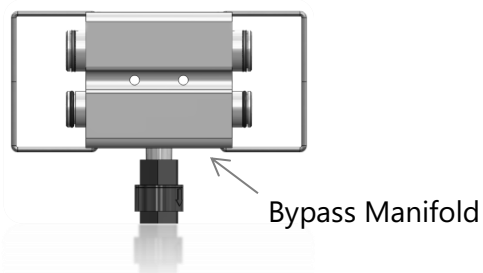
Disconnect the "MANIFOLD BLOCK(S)" from the "MANIFOLD SWITCH MOUNT" **FIG.16** (Leave all tubing connected to respective locations). Use the HRWAND128, OEM barrel brushes and wipes to remove product residual from the manifold blocks and mounts, O-rings, Valve(s), Spring(s), etc.



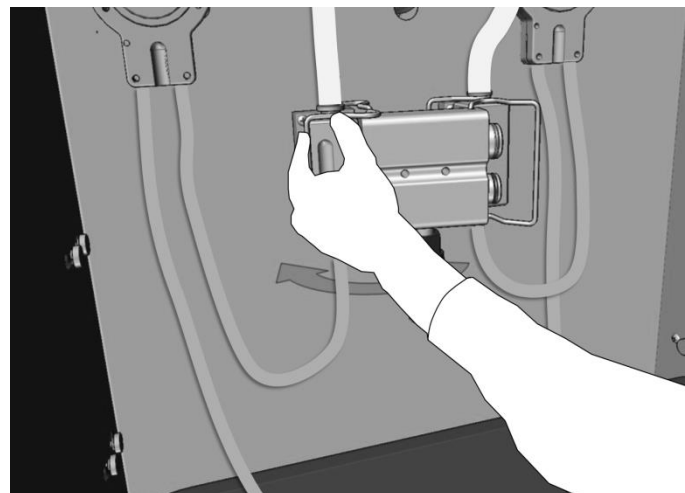
(Image for illustration only) **FIG.16**

○ CONNECT MANIFOLD BLOCK(S) TO THE BYPASS MANIFOLD:

The "BYPASS MANIFOLD" has the same mounting features as the soft serve machine's manifold switch mount(s). Simply attach the manifold block(s) to the bypass manifold as illustrated **FIG.17**.



Note: Be sure to engage the bypass manifold clip(s) to the manifold block(s) to avoid any unwanted spillage. Put the Valve(s) and Spring(s) aside until the completion of this process.

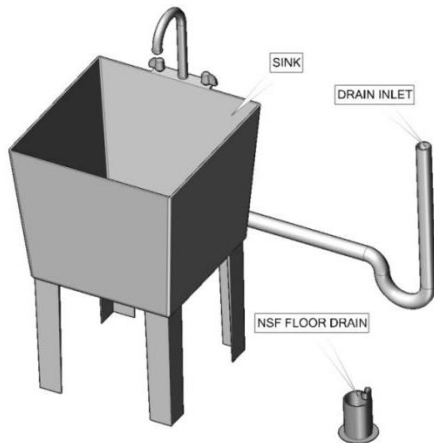


(Image for illustration only) **FIG.17**

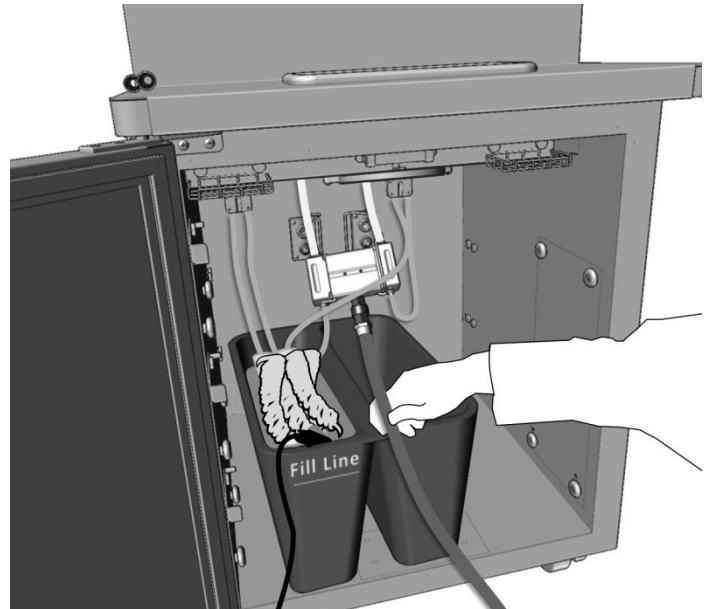
Section 14: Details of the Hydra Rinse® Process

○ CONNECT BYPASS DRAIN LINE:

If it isn't already attached, connect the "BYPASS DRAIN LINE" to the "BYPASS MANIFOLD" **FIG.18**. Ensure that the drain line is free from any kinks and tightly secured to one of the approved drain sources.



Approved drain sources



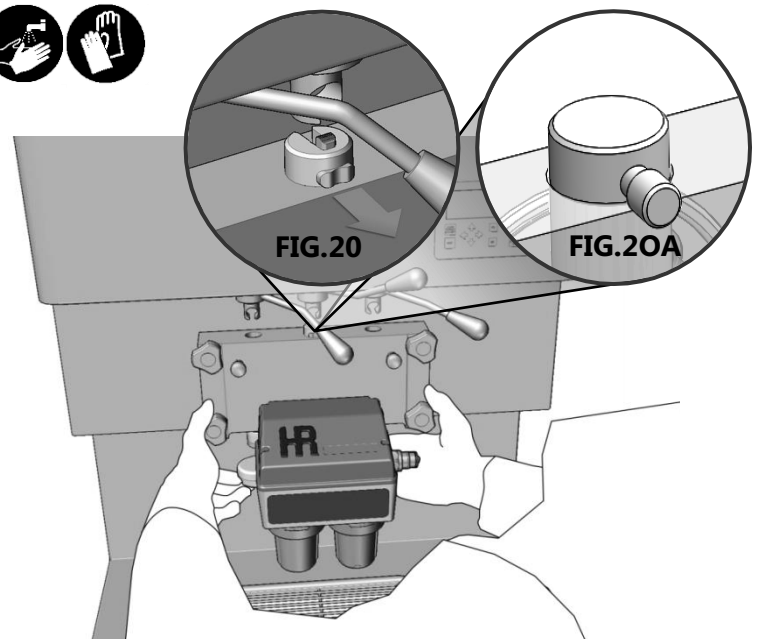
(Images for illustration only) **FIG.18**

○ INSTALL PRO-CONTROL MODULE:

To assist with installing the "PRO-CONTROL MODULE", wet the O-rings on the pistons with either a "HYDRA RINSE® WIPE" or with sanitizer/cleaner solution from the HRWAND128.

Simply use the "CENTER PISTON" to guide the unit up into the "CENTER SPIGOT PORT"; once the piston O-rings begin to contact the "SPIGOT PORT(S)", gently wiggle the unit while pushing upward on the ends of the underside "INTERFACE MANIFOLD ASSEMBLY" as illustrated; use the front door "NUT STUDS" to make things even easier **FIG. 19**.

On the top of the "CENTER PISTON" is a "KEEPER SWITCH". The "PRO-CONTROL MODULE" is in position when the "KEEPER SWITCH" can freely slide forward **FIG.20**, securing the unit in place; repurpose the Spigot Retaining Pin when applicable **FIG.20A**.

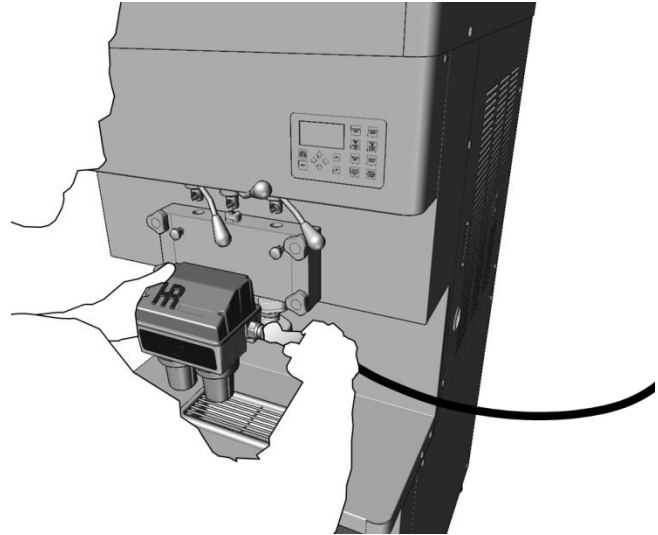


(Image for illustration only) **FIG19**

Section 14: Details of the Hydra Rinse® Process

○ CONNECT WATER SUPPLY:

Prior to connecting the "WATER SUPPLY" **FIG.21**, wet the O-ring on the "PRO-CONTROL MODULE QUICK CONNECT" with either a "HYDRA RINSE® WIPE" or with the HRWAND128 LEXX™ solution; once connected, if the water source has not been turned on yet, you will need to do so before adding the LEXX™ concentrate.



(Image for illustration only) **FIG.21**

Note: Always ensure cup housings are present and that you haven't added new LEXX™ concentrate until the water source is connected and turned on.

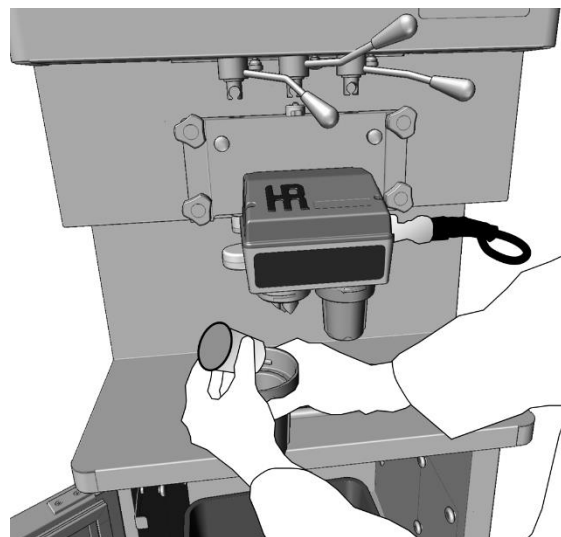
○ ADDING LEXX™ CONCENTRATE:

To remove the left "CLEANER CUP HOUSING", rotate clockwise for less than a quarter turn. To remove the right "SANITIZER CUP HOUSING", rotate counterclockwise for less than a quarter turn.



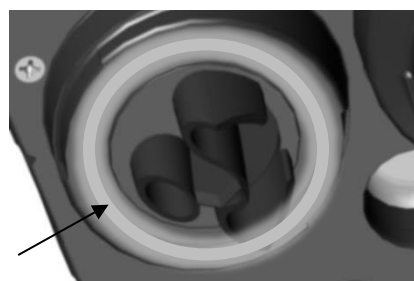
Put 1 ready to use "LEXX™ CUP" or 2 fluid ounces of LEXX™ concentrate into each of the cup housings **FIG.22**.

While pushing the nested "LEXX™ CUP" up into the piercing features of the "PRO-CONTROL MODULE", align the mating features of the "CUP HOUSING" to the main body; pay close attention that the cup lid has been adequately pierced.



(Image for illustration only) **FIG.22**

Note: Lube Cup Housing with food safe lube **FIG.23** when "ALIGNMENT ARROWS" become difficult to align.



Lube Sealing Face, Not O-ring

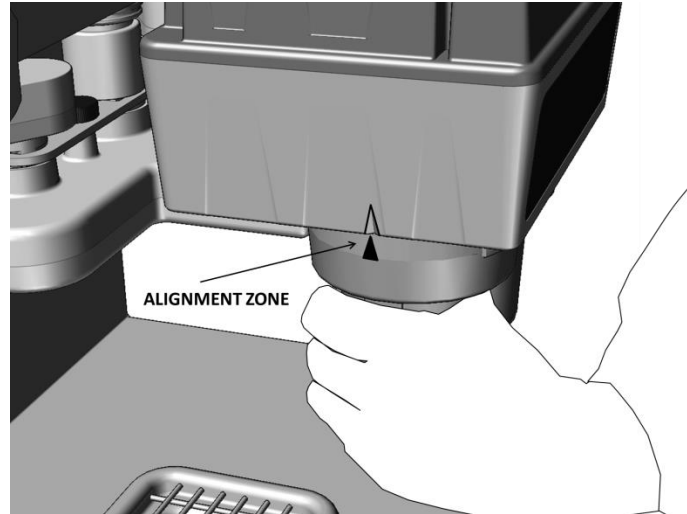
FIG.23

Section 14: Details of the Hydra Rinse® Process

● TIGHTEN CUP HOUSINGS:

It's important that sanitizer/cleaner solution is present during every cycle, so too is proper tightening of both the "CLEANER CUP HOUSING" and the "SANITIZER CUP HOUSING".

To tighten the cup housings, rotate inward towards the center of the "PRO-CONTROL MODULE". As called out in **FIG.24**, there are corresponding "ALIGNMENT ARROWS" molded into the plastic components; for proper seal, ensure they are aligned together as illustrated. (Storage page 35)



(Image for illustration only) **FIG.24**

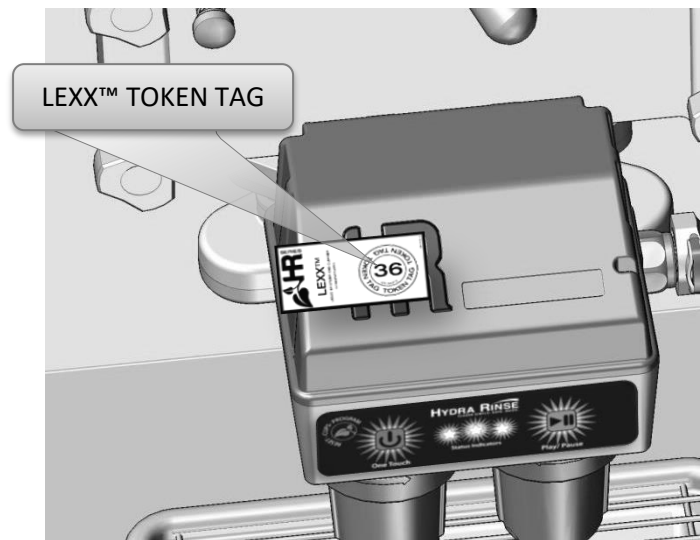
● REGISTER CYCLES:

With every purchased box of "LEXX™ CUPS" or "MEASURE & POUR BOTTLE(S)" comes a "TOKEN TAG"; you only need to register the product once, making the "PRO-CONTROL MODULE" operational.

To register the product and read the number of available cycles within the "PRO-CONTROL MODULE", simply touch the "TOKEN TAG" to the "HR" symbol as illustrated in **FIG.25**.

Next, while holding the "TOKEN TAG" in place, press and then release the "RESET-CUPS-PROGRAM" button on the "USER INTERFACE". At the completion of the communication sequence, remove "TOKEN TAG"; beep will indicate completion.

After a successful registration: A LED sequence will blink out the number of cycles stored in the "PRO-CONTROL MODULE" until the end user once again presses and then releases the "RESET-CUPS-PROGRAM" button, which is required after every register/read operation.



(Image for illustration only) **FIG.25**

Note: Up to 750 wash cycles can be stored inside the "PRO-CONTROL MODULE" at any given time.

Section 14: Details of the Hydra Rinse® Process

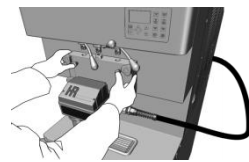
START THE PRO-CONTROL MODULE CYCLE:



Run through this suggested check list before continuing:

- Bypass System in place
- Bypass System Drain Hose attached and secured to 1 of the 3 acceptable drain sources (page 10).
- Specified sanitary water source (page 1) connected and turned on.
- Fresh LEXX™ concentrate present in both the cleaning and sanitizing cup housings.
- Soft Serve Machine Power is "ON"

Press and then release the "ONE TOUCH" button on the "USER INTERFACE" to start the "PRO-CONTROL MODULE CYCLE".



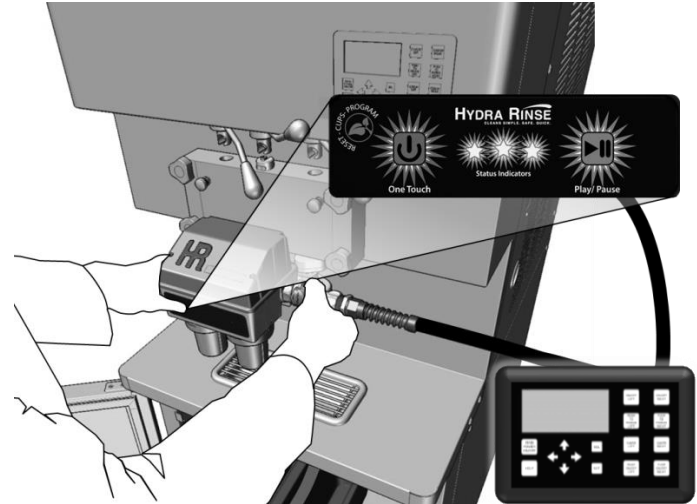
Open the "AIR BLEED VALVE(S)" for 35 seconds and/or first beep sequence of the "HYDRA RINSE® PRO-CONTROL

CYCLE", and then place the soft serve machine in "CLEAN MODE".

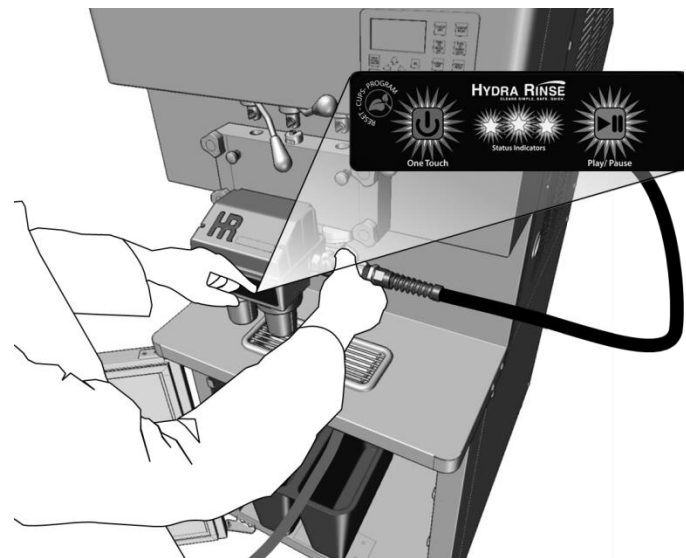
If for any reason there arises a need to quickly cancel the "PRO-CONTROL MODULE CYCLE", press and then release the "PLAY/PAUSE" button **FIG.27** within 15 seconds of pressing "ONE TOUCH"; the cycle will be canceled.

If it's been longer than 15 seconds since pressing the "ONE TOUCH" button, the cycle cannot be canceled, only paused and the total available cycles will receive a "DING" i.e., 100-1 = 99 remaining cycles.

Note: Pressing and releasing the "PLAY/PAUSE" button **FIG.27** after the 15 second cancellation window has lapsed will only suspend the "PRO-CONTROL CYCLE" indefinitely until the "PLAY/PAUSE" button is pressed and released again to resume it; this allows end users to make necessary adjustments when required.



(Image for illustration only) **FIG.26**



(Image for illustration only) **FIG.27**

WARNING: If you press and then release the "RESET-CUPS-PROGRAM" button after the cycle has commenced, or any time before it has completed, your cycle will be aborted causing the "PRO-CONTROL MODULE" to reboot. You will be "DINGED" losing 1 cycle as if that cycle had completed successfully, so be mindful.

Section 14: Details of the Hydra Rinse® Process

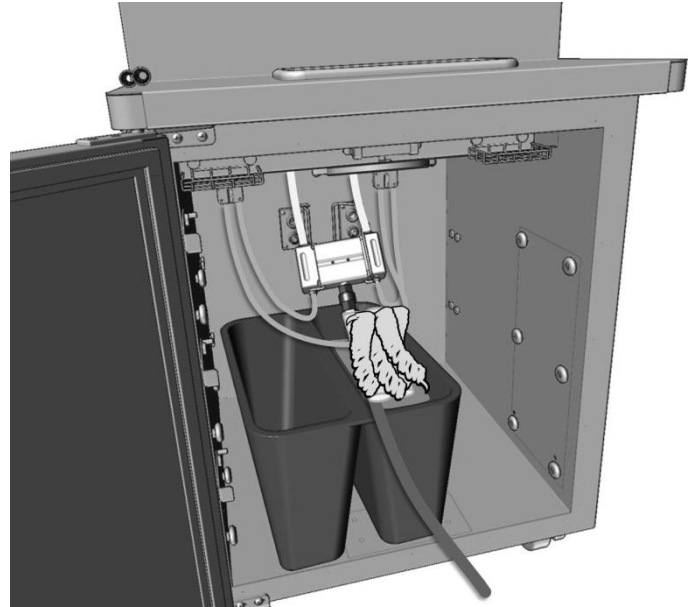
● PRE-CLEAN PRODUCT MIX DELIVERY SYSTEM:



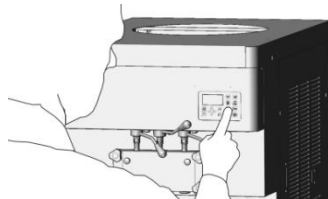
While the “PRO-CONTROL MODULE” is performing the automated cleaning and sanitizing cycle on the upper portion of the soft serve machine (~7 minutes), it’s time to perform the cleaning and sanitizing process on the lower delivery system.

Before continuing, remove the “SUCTION TUBE ADAPTOR(S)” from the ends of the suction tube(s). Leave the adaptors in the first bay while moving the “MANIFOLD ASSEMBLY(S)” to the sanitizing solution side of the “TWO-BAY CATCH BUCKET” that was dispensed earlier.

With all hoses in their respective positions **FIG.28**, and a minimum of 2 US gallons of LEXX™ solution in the “TWO-BAY CATCH BUCKET”, activate the “PUMP(S)”.



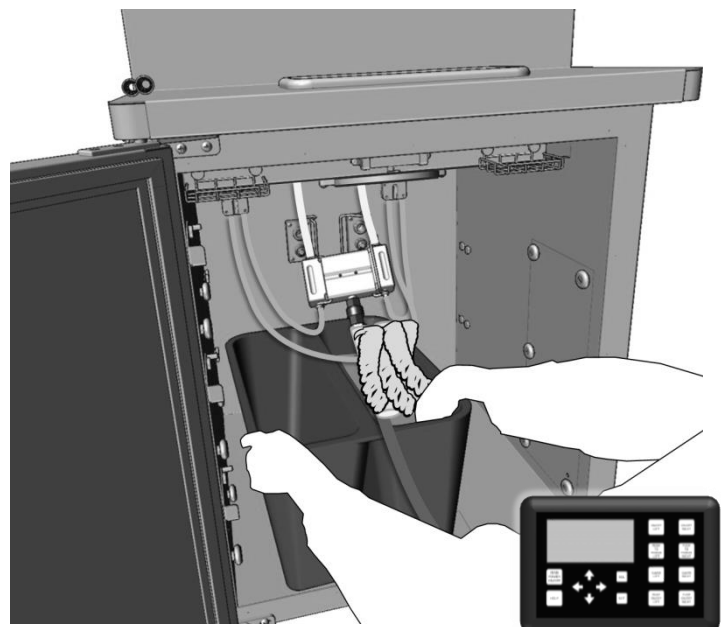
(Image for illustration only) **FIG.28**



The solution will be drawn from the two-bay catch bucket and distributed throughout the

entire lower product mix delivery system; waste discharge exits via the “BYPASS MANIFOLD”. With the wand in hand, dispense solution through each suction tube independently for 15 seconds; the pump(s) will pull the solution from the wand up through the mix line.

Use the wand and brushes to mechanically clean the “SUCTION TUBE ADAPTOR(S)” before reattaching them to their respective mix lines.



(Image for illustration only) **FIG.29**

Note: Ensure that all the “PRODUCT MIX INLETS” are sufficiently submersed **FIG.29** while the pump(s) are drawing solution. De-activate the “PUMP(S)” as soon as the solution has been sufficiently depleted.

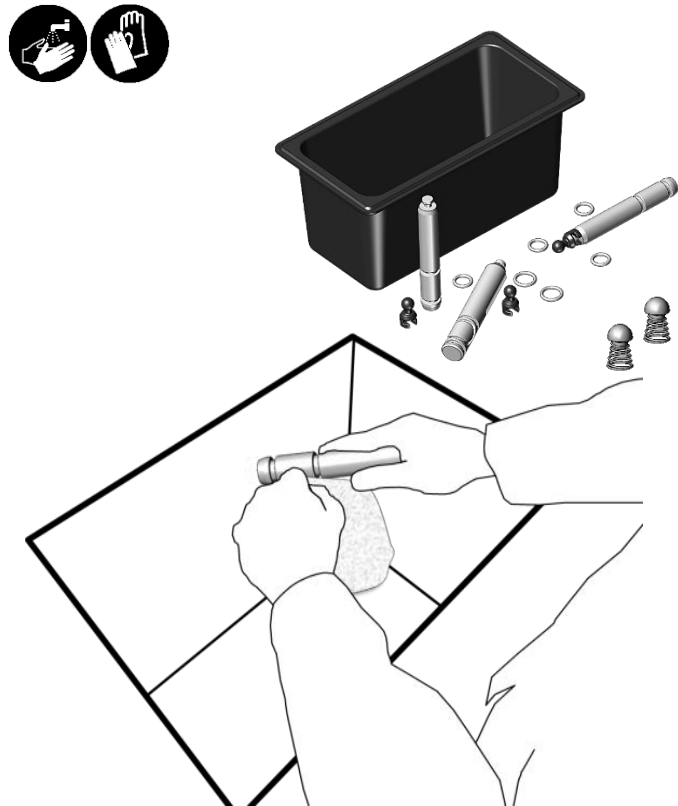
Section 14: Details of the Hydra Rinse® Process

● ANCILLARY COMPONENTS:

While the “PRO-CONTROL MODULE CYCLE” is running for approximately 7 minutes, all the previously removed components can be broken down for cleaning and sanitizing **FIG.30**.

The “HRWAND128” can be used to dispense sanitizer/cleaner solution for all ancillary components; there’s no need to manually mix cleaner or sanitizer solution.

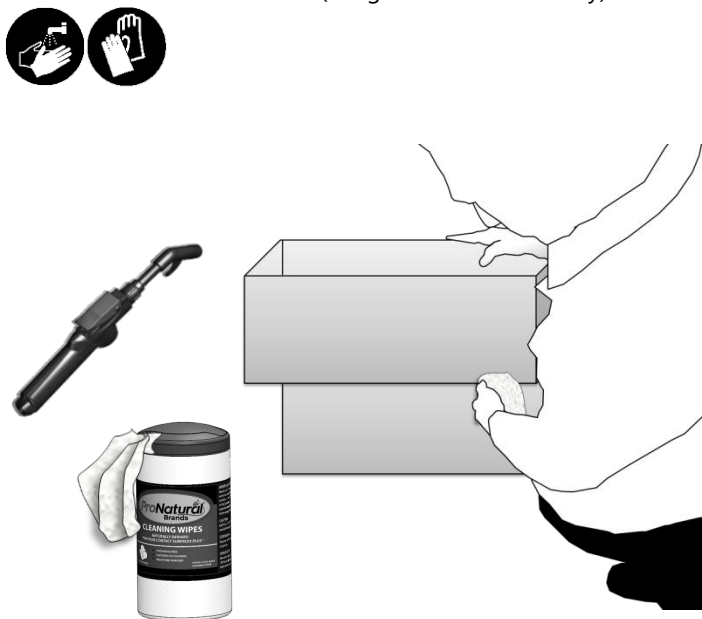
After components are deemed soil free, apply one last application of sanitizer/cleaner solution; no rinsing required.



(Image for illustration only) **FIG.30**

● CLEANING AND SANITIZING MIX CONTAINER(S):

The “HRWAND128” and “HYDRA RINSE® WIPES” will aid in giving the “MIX CONTAINER(S) AND PRODUCT MIX DRAWER(S)” the attention they need for cleaning and sanitizing.



(Image for illustration only) **FIG.31**

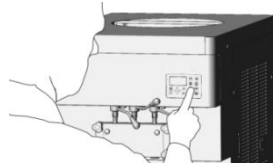
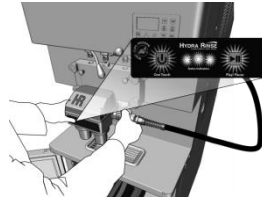
Section 14: Details of the Hydra Rinse® Process

● PRO-CONTROL MODULE CYCLE COMPLETE:

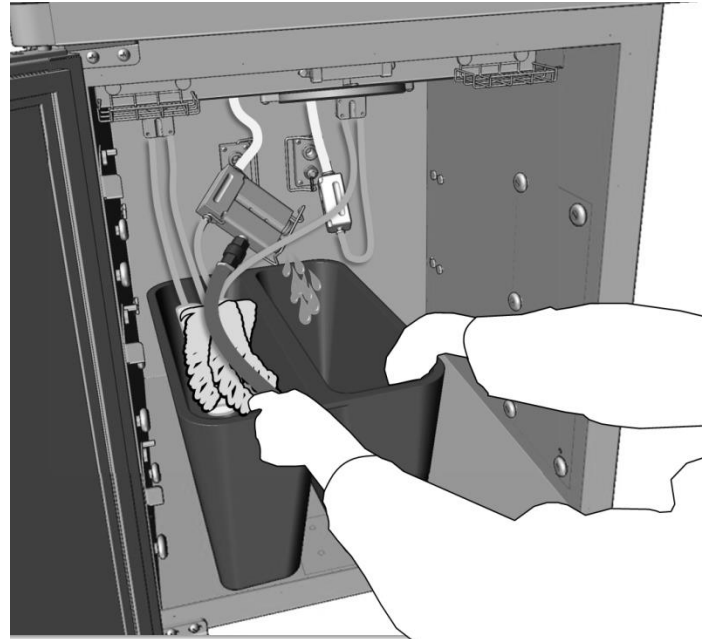


With a steady blinking Green LED on the Pro-control Module "USER INTERFACE":

Press and then release the "PLAY/PAUSE" button to conclude cycle.



Next, take the soft serve machine out of "CLEAN MODE".

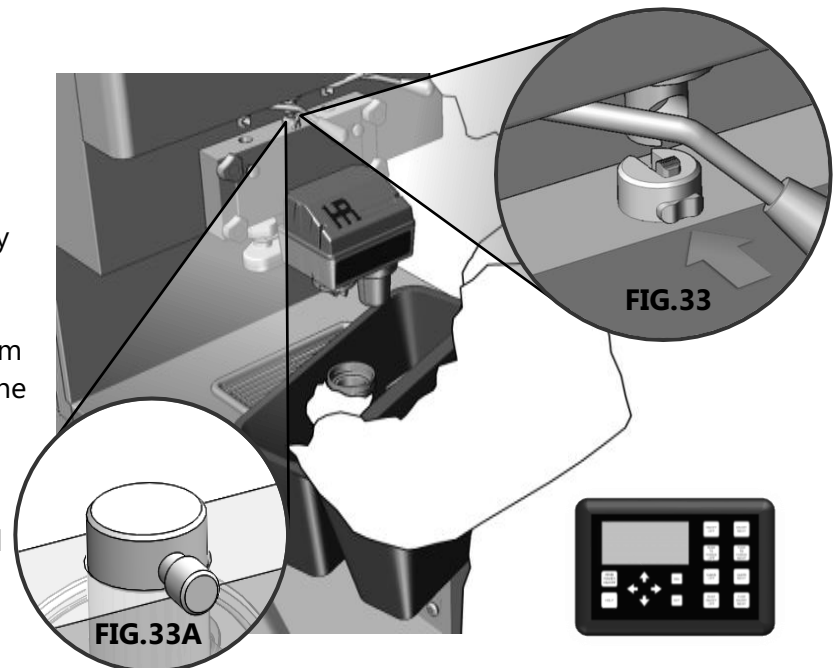


(Image for illustration only) **FIG.32**

Before removing the Pro-control Module, drain the LEXX™ solution from the freezing cylinder(s): The most efficient way to drain the solution is to disconnect the right "MANIFOLD BLOCK" from the "BYPASS MANIFOLD" **FIG.32**; allow solution to drain into empty bay as illustrated.

With an empty catch bucket below the Pro-control Module, remove the left side "CLEANER CUP HOUSING". Momentarily placing the soft serve machine in "CLEAN MODE" to remove any residual solution from the freezing cylinder(s).

Disconnect the "WATER SUPPLY" from the "PRO-CONTROL MODULE". Replace the cup housing, and then slide the "KEEPER SWITCH" backward into the neutral position **FIG.33**, or replace the Spigot Retainer Pin **FIG.33A**; remove Pro-control Module from the soft serve machine along with the "BYPASS SYSTEM".



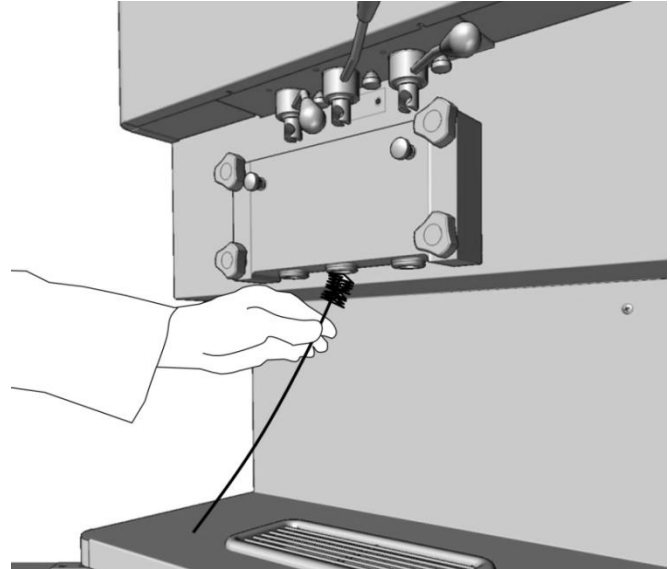
(Image for illustration only) **FIG.34**

Note: To simplify the removal of the "PRO-CONTROL MODULE": First lift upward, then wiggle the unit back and forth while pressing downward on the ends of the "INTERFACE MANIFOLD ASSEMBLY".

Section 14: Details of the Hydra Rinse® Process

● FRONT DOOR FINAL STEPS:

It's time for a thorough cleaning and scrubbing of the spigot port(s); use the HRWAND128 LEXX™ solution to flush all surfaces, and remaining features. Hydra Rinse® Wipes are perfect for all surrounding areas.

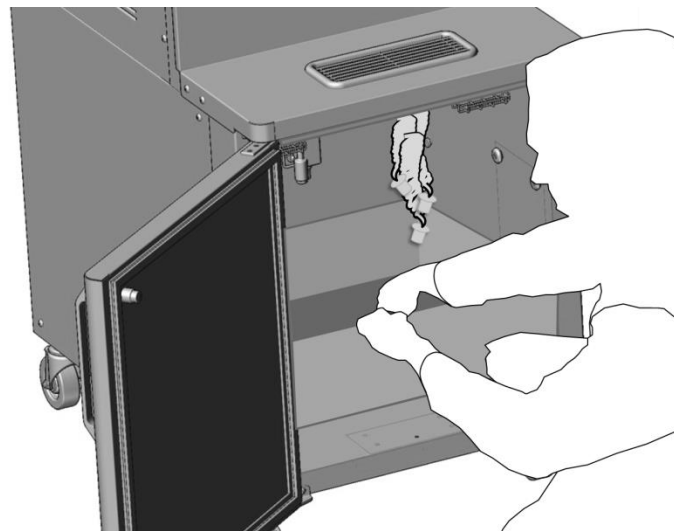


Note: Use OEM Barrel Brushes for mechanical scrubbing of front door spigot port(s) **FIG.35**.

(Images for illustration only) **FIG.35**

● PREPARE LOWER REFRIDGERATION CABINET

Give the lower refrigeration cabinet a good once over, using the HRWAND128 LEXX™ solution and Hydra Rinse® Wipes before reassembly; re-introduce product mix accordingly.



(Images for illustration only) **FIG.36**

Section 14: Details of the Hydra Rinse® Process

● MACHINE RE-ASSEMBLY:

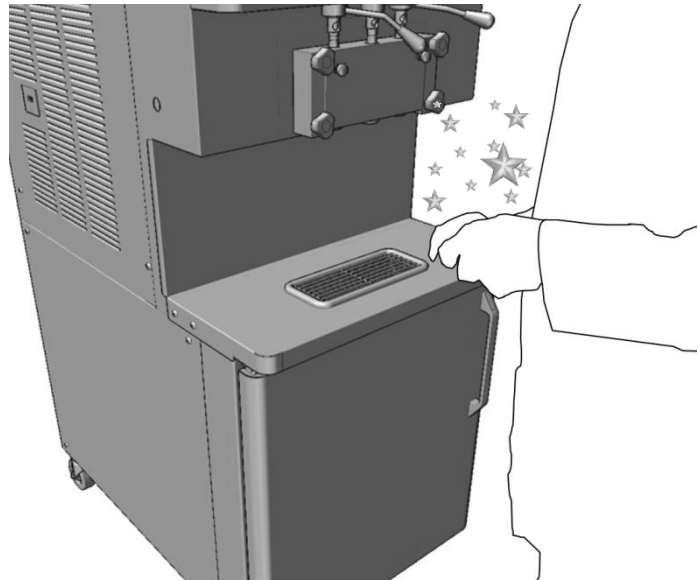
Take care when re-assembling the soft serve machine to ensure that you are not re-introducing any contaminants while handling the components; this is a good time to refresh your gloves! Prior to re-assembly of the front door, use an OEM barrel brush and give the spigot port(s) a good mechanical scrubbing. Adequately flush all mechanically scrubbed surfaces with the wand and then precede to re-install the spigots.

This concludes the cleaning and sanitizing of the soft serve machine without mechanical scrubbing of the internal components.

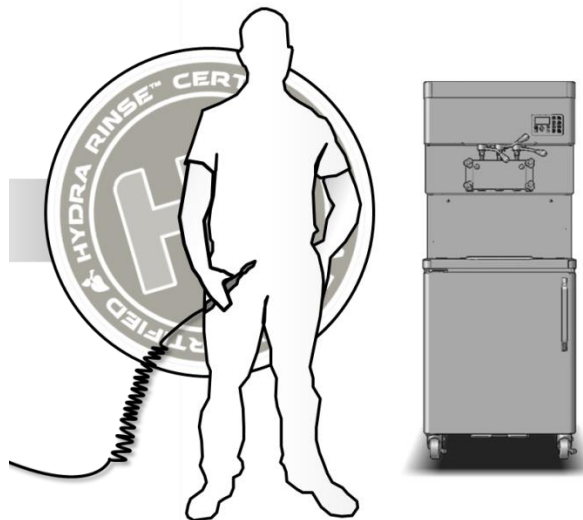
Tip: Use the “HRWAND128” to keep things wet during re-assembly! This will ensure sanitization while handling components, which also provides lubrication for the Lubeless O-rings during re-insertion if applicable!

● MACHINE TEARDOWN FOR MECHANICAL SCRUBBING OF INTERNAL COMPONENTS:

The “PRO-CONTROL MODULE” has a special function that enables the end user to pause the cleaning and sanitizing cycle for mechanical scrubbing. This function will be described next, “SEQUENCE FOR MECHANICAL SCRUBBING INTERNAL COMPONENTS”.



(Image for illustration only) **FIG.37**



(Image for illustration only) **FIG.38**

Section 14: Details of the Hydra Rinse® Process

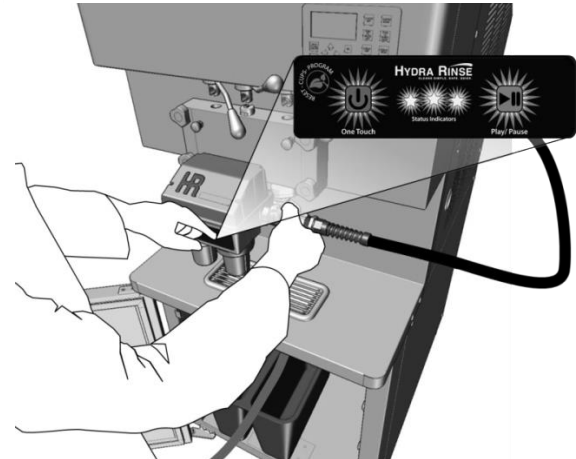
↓ SEQUENCE FOR MECHANICAL SCRUBBING INTERNAL COMPONENTS ↓

★ PAUSING THE PRO-CONTROL MODULE:

Roughly 3.5 minutes into the 7-minute cycle, the "PRO-CONTROL MODULE" will sequentially "BEEP" for 15 seconds while all three LEDs "BLINK" simultaneously.

During this sequence press and then release the "PLAY/PAUSE" **FIG.39** button to suspend the cycle indefinitely, allowing for machine teardown and mechanical scrubbing of internal components.

Once in pause mode, the "GREEN LED" on the "USER INTERFACE" will blink and a "BEEP" will sound once every 30 seconds until the "PLAY/PAUSE" button is once again pressed and then released to resume the cycle.



(Image for illustration only) **FIG.39**

Warning: The sanitizer cup solution has not been dispensed yet so do not remove it.

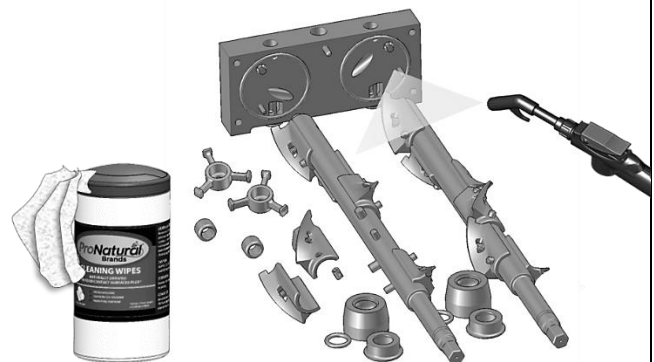
★ SCRUBBING INTERNAL COMPONENTS:

Power down the soft serve machine, "DRAIN SOLUTION", "DISCONNECT WATER SUPPLY" and remove the "PRO-CONTROL MODULE" (page 29).

Once the "FRONT DOOR" is removed from the machine: Use the applicable brushes that were supplied with the OEM soft serve machine for mechanical scrubbing of all components and internal surfaces; including "AIR BLEED VALVE(S)" and tubing if applicable. Use the HRWAND128 for dispensing sanitizer/cleaner solution.

Once the components are deemed soil free, apply one last application of sanitizer/cleaner solution; **no rinsing** required.

Re-install "INTERNAL COMPONENTS" and "FRONT DOOR" and all respective "EXTERNAL COMPONENTS".



(Image for illustration only) **FIG.40**

Section 14: Details of the Hydra Rinse® Process

★ RE-INSTALL PRO-CONTROL

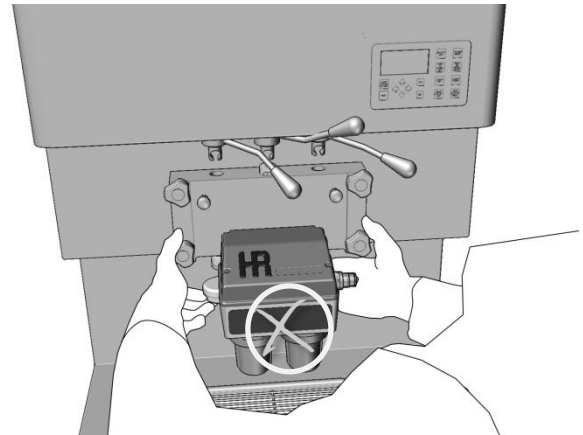
MODULE:

The "PRO-CONTROL MODULE" is currently in pause mode, so take care not to press any buttons on the "USER INTERFACE" while re-installing.

To assist with installing the "PRO-CONTROL MODULE", wet the O-rings on the pistons with either a "HYDRA RINSE® WIPE" or with sanitizer/cleaner solution.

Simply use the "CENTER PISTON" to guide the unit up into the "CENTER SPIGOT PORT"; once the piston O-rings begin to contact the "SPIGOT PORT(S)", gently wiggle the unit while pushing upward on the ends of the underside of the "INTERFACE MANIFOLD ASSEMBLY".

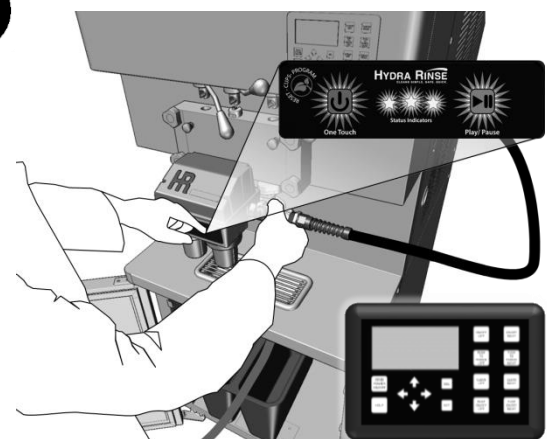
On the top of the "CENTER PISTON" is the "KEEPER SWITCH"/" SPIGOT RETAINER PIN PORT". The "PRO-CONTROL MODULE" is in position when the "KEEPER SWITCH"/" SPIGOT RETAINER PIN" can slide forward, securing the unit into place.



(Image for illustration only) **FIG.47**

★ RESUME CYCLE:

"RE-ATTACH WATER SUPPLY". Press and then release the "PLAY/PAUSE" button to resume the cycle. Place soft serve machine back into "Clean Mode" for each freezing Cylinder.



(Image for illustration only) **FIG.48**

Note: All three LEDs will blink simultaneously on initial resumption of the cycle for approximately 20-30 seconds; sanitizer injection follows shortly thereafter.

↑ SEQUENCE FOR MECHANICAL SCRUBBING CONCLUDED ↑

Section 14: Details of the Hydra Rinse® Process

UTILITY ITEMS:

When cleaning and sanitizing all utility items like Waste Catch Buckets and OEM Brushes; remember to integrate the HRWAND128 and Wipes into all pre-established cleaning protocols for time savings and operator efficiency.

The HRWAND128 LEXX™ sanitizer /cleaner solution **FIG.49** can also be applied to any non-porous hard food contact surface i.e., floors, food prep areas/counter tops, etc.



(Image for illustration only) **FIG.49**

FINAL STEPS:

“BYPASS MANIFOLD” and the “PRO-CONTROL MODULE” will always require periodic cleaning and sanitizing.

Remove the “BYPASS SYSTEM” from the soft serve machine. The “BYPASS MANIFOLD” is easily removable from the “BYPASS SYSTEM” for manual scrubbing, cleaning, and sanitizing before stowing.

The “PRO-CONTROL MODULE” has a “SELF-RINSE CYCLE”: To initiate, connect “WATER SOURCE” and ensure it’s on. Press the “ONE TOUCH” and the “PLAY/PAUSE” buttons simultaneously and hold **FIG.50**.

All three LEDs (Green, Yellow, and Red) on the “USER INTERFACE” will illuminate indicating that the “SELF-RINSE CYCLE” has commenced; release buttons.

Hold unit over a drain source or catch bucket while flushing is in process.

Note: Wipe the “PRO-CONTROL MODULE” with “HYDRA RINSE® WIPES” while water is flowing from the unit to clean surfaces.



(Image for illustration only) **FIG.50**

Note: If the Green LED on the “USER INTERFACE” is still blinking, which indicates that the “PRO-CONTROL MODULE CYCLE” has completed successfully, the “PLAY/PAUSE” button will need to be pressed and then released prior to entering the “SELF-RINSE CYCLE”; cycle is approximately 15 seconds in duration (repeat as many times deemed necessary).

Section 14: Details of the Hydra Rinse® Process

● CLEANUP AND STORAGE SUGGESTIONS:

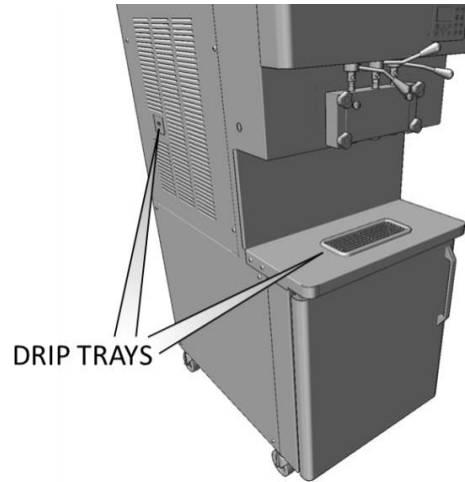
After removal of the "BYPASS SYSTEM" and re-assembly of the soft serve machine i.e., "SPIGOT(S)", "DRIP TRAYS", internal components if applicable:

Re-introduce product mix into the machine as soon as possible. If intentions are to leave the machine empty, you will be required to power off the soft serve machine, remove the "FRONT DOOR" and disassemble all internal components allowing them to air dry; this is usually the case for end of season storage of the soft serve machine.

Wipe down "FRONT DRIP TRAY" and inspect all "DRIP PAN(S)" for cleanliness; give the machine a good wiping down too.

Stow the "25' BYPASS SYSTEM DRAIN HOSE", "WATER SUPPLY HOSE" and the "PRO-CONTROL MODULE" in a clean, dry place having a temperature range no less than 60°F (15.5°C) and no greater than 90°F (32°C).

"TOKEN TAG" registration is a onetime event for every box of "LEXX™ CUPS"; it's not required prior to every "HYDRA RINSE® PRO-CONTROL MODULE CYCLE". Keep the "TOKEN TAG", and do not dispose of it. As mentioned earlier, you can use a previously registered "TOKEN TAG" to read out the number of remaining cycles residing in the "PRO-CONTROL MODULE".



(Image for illustration only) **FIG.51**



Note: Though our devices are engineered to the highest standard, it is recommended at the end of every day that the water source supplied to the HRWAND128 and the "PRO-CONTROL MODULE" is turned off; connections are not intended for permanent installation. Leaving the devices under constant static pressure could result in unwanted water damage or flooding.

Note: After every usage, remember to back off the "CUP HOUSINGS" as illustrated **FIG.52**. This will reduce the force required to remove the cups between usages.

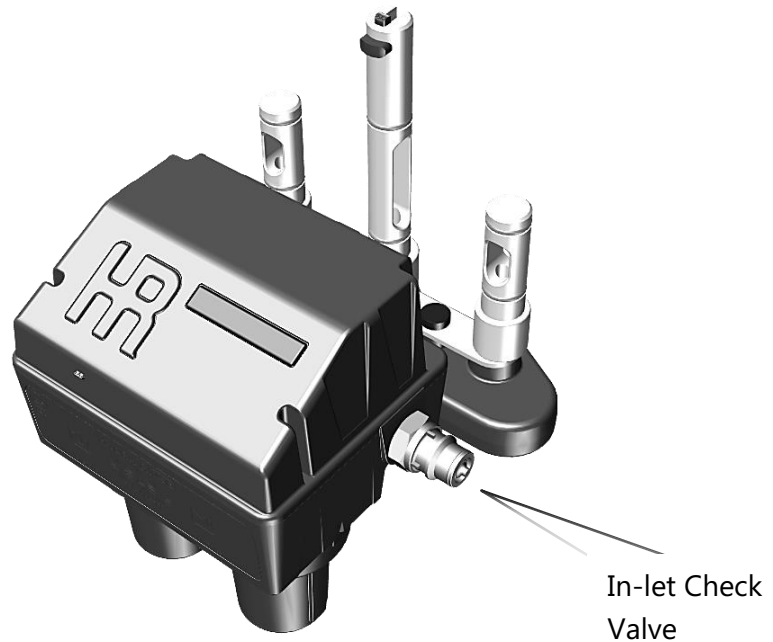


(Image for illustration only) **FIG.52**

Section 15: Troubleshooting Guide 1 of 2

● Due to the sensitive nature of the “PRO-CONTROL MODULE”; always consult your local authorized Dealer/Reseller when an issue is unresolved.

Refer to the “HRWAND128” Operators Manual for detailed and troubleshooting reference material regarding its practical operation.



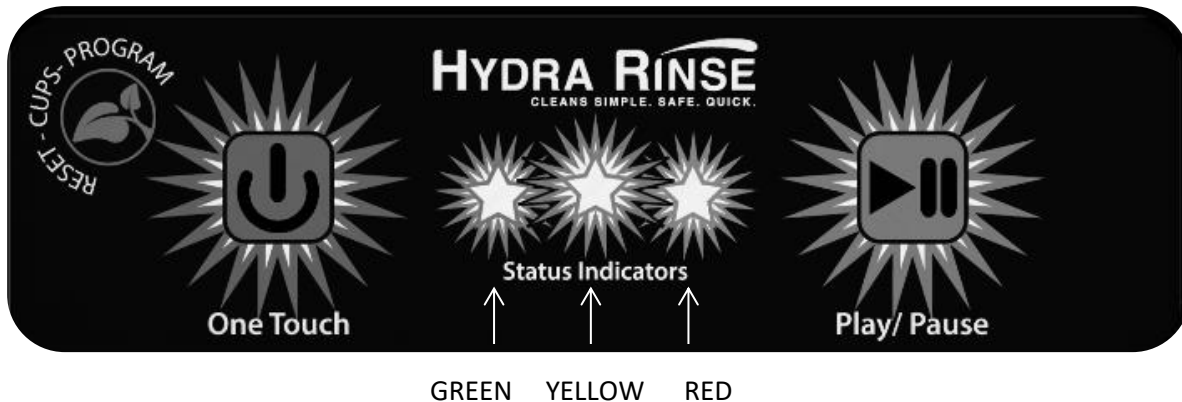
Issue:	Potential Cause:	Potential Solution:
Cycle won't start; Red LED blinks fast, Green and Yellow LEDs on.	<ul style="list-style-type: none"> The unit has no cycles left 	<ul style="list-style-type: none"> Need to register a new token tag “RESET-CUP-PROGRAM” button will need to be pressed to exit error
Red LED blinks slow, unit beeps every 15 seconds	<ul style="list-style-type: none"> Batteries are at end of life 	<ul style="list-style-type: none"> Install new batteries. “RESET-CUP-PROGRAM” button will need to be pressed to exit error.
Cycle started, no water flowing, but water is connected and turned on	<ul style="list-style-type: none"> Extended period of time that the unit has been sitting 	<ul style="list-style-type: none"> Refer to Appendix B Contact your local Hydra Rinse® Distributor/Reseller for more information
Unit will not power up	<ul style="list-style-type: none"> Check that batteries are correctly installed Corrosion on battery terminals 	<ul style="list-style-type: none"> Check and/or re-install batteries as required for proper operation Contact local Distributor/Dealer for replacement
Water lines leak	<ul style="list-style-type: none"> Improper engagement of push-to-connect to hose Loosely connected fittings 	<ul style="list-style-type: none"> Check and push hose into leaking fitting Tighten leaking fitting an additional, not to exceed 90-110° rotation

TABLE CONTINUED →

Section 15: Troubleshooting Guide 2 of 2

Issue:	Potential Cause:	Potential Solution:
Cup housing(s) are hard to tighten	<ul style="list-style-type: none"> Worn or no food safe lube present 	<ul style="list-style-type: none"> Re-lube with food safe lube, replace O-ring(s) if problem unresolved
Cup housing(s) leak	<ul style="list-style-type: none"> Ensure cups are properly engaged with the Pro-control housing 	<ul style="list-style-type: none"> Replace O-ring(s)
Bypass Tube won't stay in Mix Inlet Hole	<ul style="list-style-type: none"> O-ring(s) worn Food safe lube present Frozen mix left in Freezer Barrel(s) Blocked discharge hose 	<ul style="list-style-type: none"> Replace O-ring(s) All Lube must be removed Never perform cycle with frozen mix Ensure no kinks or blockages in hose
Quick connects leak	<ul style="list-style-type: none"> Worn out, O-ring damaged 	<ul style="list-style-type: none"> Contact local Distributor/Dealer for replacement parts/ O-ring

Section 16: Pro-control Module LEDs 1 of 2



LEDs are the communication portal between end users and the Pro-control Module. Here's a few to understand: (Status Indicators from Left to Right: Green, Yellow, Red)

= LED Blink,
 = LED On,
 = LED Off,
 S = Slow, F = Fast, (1st, 2nd, 3rd) = Order of Blink

PROCESS CODES:					
<u>GREEN</u> Hundreds	<u>YELLOW</u> Tens	<u>RED</u> Ones	<u>BEEP</u>	<u>DESCRIPTION</u>	<u>ACTION</u>
			-	Pro-control Module "Power ON"	-
			-	Pro-control Module "Processing"	-
F			Every 30 seconds Double Beep	Pro-control Module "Pause Mode"	Press "PLAY/PAUSE" to resume cleaning sequence
S			-	Pro-control Module has completed a successful cycle	Press "PLAY/PAUSE" to conclude cycle
1 st	2 nd	3 rd	-	Left to Right LED sequence: Indicates Pro-control Module is in "Cleaning " Mode	-
1 st	2 nd	1 st	10 consecutive beeps	Inward LED sequence: Indicates Pro-control Module is in "Agitate Solution" Mode Inward LED sequence: Indicates Pro-control Module is in "Agitate Solution" Mode	Place Soft Serve Machine in "Wash Mode" reminder

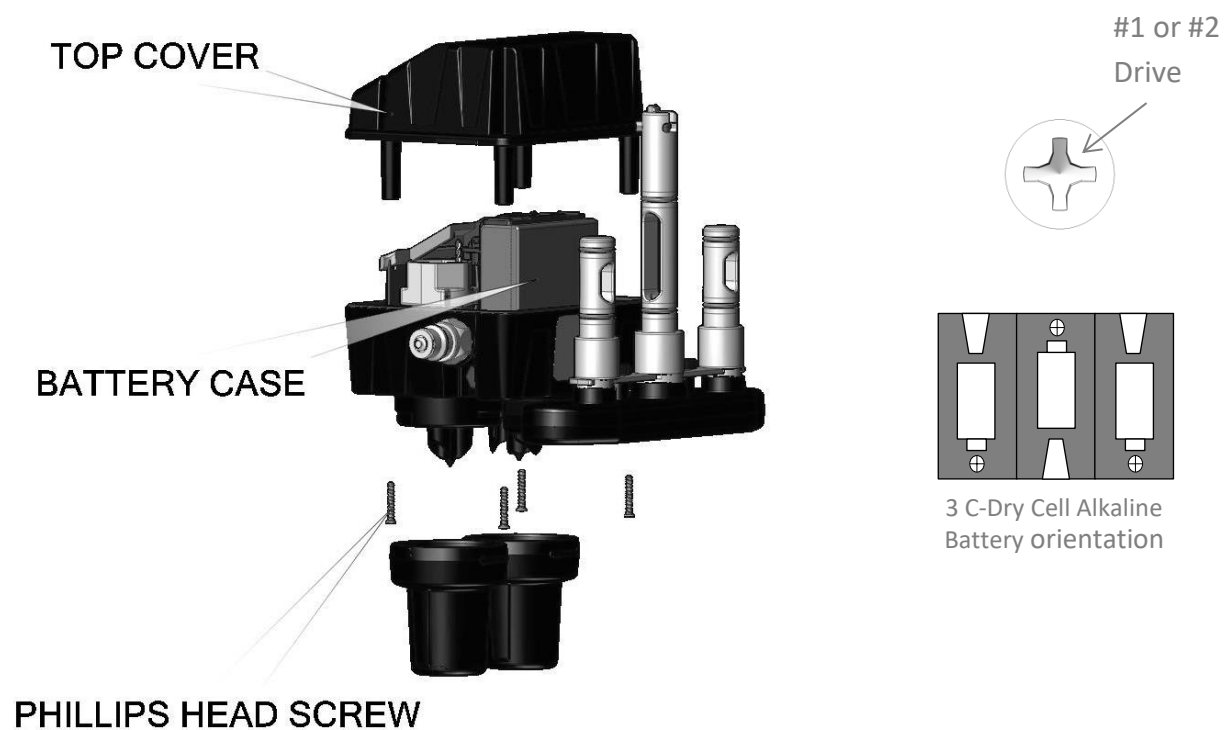
TABLE CONTINUED →

Section 16: Pro-control Module LEDs 2 of 2

= LED Blink,
 = LED On,
 = LED Off,
 S = Slow, F = Fast, (1st, 2nd, 3rd) = Order of Blink

PROCESS CODES CONTINUED:					
<u>GREEN</u> Hundreds	<u>YELLOW</u> Tens	<u>RED</u> Ones	<u>BEEP</u>	<u>DESCRIPTION</u>	<u>ACTION</u>
			15 consecutive beeps	All LEDs Flash simultaneously: 20 seconds to halt cycle for full teardown All LEDs Flash simultaneously: End user pressed "PLAY/PAUSE" button resuming cycle after teardown	Press and then release the "PLAY/PAUSE" button Allow cycle to complete
3 rd	2 nd	1 st	-	Right to Left LED sequence: Indicates Pro-control Module is in "Sanitizing" Mode	-
ERROR CODES:					
		F	Pulse Beep	No Tokens. End user pressed the "ONE TOUCH" button or registered an empty token tag with zero tokens loaded in unit	Register Token Tag with Pro-control Module (Section 7)
		F	-	End user pressed the "ONE TOUCH" button, Pro-control Module is not programmed with a cleaning cycle script	CONTACT Dealer/Reseller
		S	Pulse beeps every 15 sec	End user pressed the "ONE TOUCH" button, Battery is below allowable threshold	Replace Battery (Section 17)
		F	Pulse beeps every second	Pro-control Module cannot presently accept any more Token Tag cycles, Tokens were not registered (750 Max Limit met)	Save Token Tag for later use. Press and then Release the "RESET-CUPS-PROGRAM" button
For Pro-control Modules with firmware version pre-3.0:					
			-	No tokens. End User Checked for available token count, and zero tokens loaded in unit	Ensure to register a valid Token Tag. Press and then Release the "RESET-CUPS-PROGRAM" button once for registering and once to reset

Section 17: Battery Installation/Replacement



(Image for illustration only) **FIG.33**

To gain access to the "BATTERY CASE":

Note: Before changing the battery(s), remove the Pro-control Module from any areas that may allow water to enter the inner housing compartment.

- Remove both "CUP HOUSINGS" from the "PRO-CONTROL MODULE".
- Remove the 4 "PHILLIPS HEAD SCREWS" that secure the "TOP COVER" to the "PRO-CONTROL HOUSING". (screws located on the underside of unit)
- Slide open the "BATTERY CASE COVER"; ensure batteries are correctly oriented **FIG.33**
- When replacing "PHILLIPS HEAD SCREWS", tighten in a cross pattern while paying close attention to "TOP COVER" gap. When "TOP COVER" meets the "PRO-CONTROL MODULE HOUSING" (no gap), stop tightening screw; over tightening may stress unit causing premature failure.

Section 18: Online Resources/Support

FOR REPLACEMENT COMPONENTS, ADDITIONAL
INFORMATION, SUPPORT, AND VIDEOS FOR YOUR
HYDRA RINSE® PRODUCTS PLEASE VISIT
WWW.HYDRARINSE.COM
OR CONTACT YOUR LOCAL HYDRA RINSE® DEALER



Section 19: Warranty

The Seller warrants that the **STLHR** will operate or substantially perform within the published specifications and be free from material and workmanship defects, when subjected to normal, proper, and intended usage by properly trained personnel. Please visit www.hydrarinse.com for warranty registration.

Seller agrees during the Warranty Period, to repair or replace, at Seller's option, defective item(s) to allow the **STLHR** to operate or substantially perform within the published specifications; provided the Buyer (a) promptly notifies the Seller in writing when the defect is discovered, and provides Seller the product model, serial number and details of the warranty claim; and (b) after Seller's review, Seller will provide Buyer with service data and/or a Return Merchandise Authorization ("RMA"), which may include product-specific handling instructions. At that time, the Buyer may return the defective item(s) to Seller with all return shipping costs paid by Seller. The Seller has the option to use new or refurbished replacement parts for warranty work. All replaced parts become the property of Seller. Shipment to Buyer of repaired or replacement parts/equipment will be made in accordance with the Seller's delivery policy.

The Seller has no obligation to make repairs, replacements or corrections, in whole or in part, as the result of: (i) normal wear and tear; (ii) accident, disaster or force majeure; (iii) the Buyer's misuse of the **STLHR** or the Buyer's negligence; (iv) use of the **STLHR** in a manner for which it was not designed or intended; (v) external causes such as, but not limited to, power failure or electrical power surges; (vi) improper storage or handling of the **STLHR** by Buyer; or (vii) use of the **STLHR** in combination with equipment not purchased directly from the Seller.

Any installation, maintenance, repair, service, relocation or alteration, or other tampering with, the **STLHR** performed by any individual or entity other than the Seller, without Seller's prior written approval, or any use of replacement parts not supplied by Seller, shall immediately void, and cancel this warranty. This warranty entitles to you specific rights, and you may also have other rights, which differ from state to state. No other warranties shall apply.

Section 20: Appendix A

LEXX™ pH Solution Measurement ProNatural® Brands pH Test Strip (HR-KT-0054)

Inspection Process:

1. Creating Test Solution:

Hydra Rinse® Pro-control:

After the completion of the Hydra Rinse® Pro-control cycle, drain LEXX™ solution from machine into a clean emptied catch bucket for collecting test solution (do not add used LEXX™ Cups to the drained solution in catch bucket)

Wand:

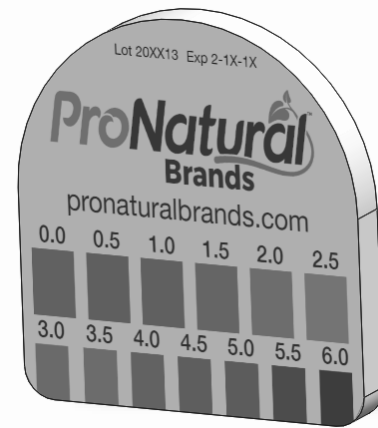
Allow solution to freely dispense into a catch bucket for a minimum of 30 seconds. Next collect at least 8 fl. oz. of solution into a clean emptied cup for collecting test solution.

2. Taking Measurement:

Submerge test strip (~2 inches in length from roll) in solution for 2 seconds. Compare wetted test strip immediately to the color scale.

3. Results:

Test strip should indicate $\leq 3.5\text{pH}$ for an acceptable reading when testing with a LEXX™ pH Test Strip.



Section 20: Appendix A

LEXX™ Total Acid Concentration (grams/Liter) Semi-quantitative Measurement (Sold separately)

QUANTOFIX® Total acid (Part no. 91353)

Inspection Process:



1. Creating Test Solution:

Hydra Rinse® Pro-control:

After the completion of the Hydra Rinse® Pro-control cycle, drain LEXX™ solution from machine into a clean emptied catch bucket for collecting test solution (do not add used LEXX™ Cups to the drained solution in catch bucket)

Wand:

Allow solution to freely dispense into a catch bucket for a minimum of 30 seconds. Next collect at least 8 fl. oz. of solution into a clean emptied cup for collecting test solution.

2. Taking Measurement:

Follow the instructions supplied with the QUANTOFIX® product to obtain the semi-quantitative total acid content.

3. Results:

Test strip should indicate between:
2.0-2.5 g/L



QUANTOFIX® Total acid

en

Description:
QUANTOFIX® Total acid are test strips for semi-quantitative determination of the total acid content. The total acid content is expressed as g of citric acid per L. QUANTOFIX® Total acid test strips are also suitable for reflectometric evaluation using the QUANTOFIX® Relax (REF 913 46).

Pack content:
1 aluminium can with 100 test strips

Measurement range

Visually

2-5 g/L citric acid

Color gradations:

0 - 2.0 - 2.5 - 3.0 - 3.5

General indicator

Always with

drawal. D

Instru

1. D

2.

3.

4.

5.

6.

7.

8.

9.

10.

11.

12.

13.

14.

15.

16.

17.

18.

19.

20.

21.

22.

23.

24.

25.

26.

27.

28.

29.

30.

31.

32.

33.

34.

35.

36.

37.

38.

39.

40.

41.

42.

43.

44.

45.

46.

47.

48.

49.

50.

51.

52.

53.

54.

55.

56.

57.

58.

59.

60.

61.

62.

63.

64.

65.

66.

67.

68.

69.

70.

71.

72.

73.

74.

75.

76.

77.

78.

79.

80.

81.

82.

83.

84.

85.

86.

87.

88.

89.

90.

91.

92.

93.

94.

95.

96.

97.

98.

99.

100.

101.

102.

103.

104.

105.

106.

107.

108.

109.

110.

111.

112.

113.

114.

115.

116.

117.

118.

119.

120.

121.

122.

123.

124.

125.

126.

127.

128.

129.

130.

131.

132.

133.

134.

135.

136.

137.

138.

139.

140.

141.

142.

143.

144.

145.

146.

147.

148.

149.

150.

151.

152.

153.

154.

155.

156.

157.

158.

159.

160.

161.

162.

163.

164.

165.

166.

167.

168.

169.

170.

171.

172.

173.

174.

175.

176.

177.

178.

179.

180.

181.

182.

183.

184.

185.

186.

187.

188.

189.

190.

191.

192.

193.

194.

195.

196.

197.

198.

199.

200.

201.

202.

203.

204.

205.

206.

207.

208.

209.

210.

211.

212.

213.

214.

215.

216.

217.

218.

219.

220.

221.

222.

223.

224.

225.

226.

227.

228.

229.

230.

231.

232.

233.

234.

235.

236.

237.

238.

239.

240.

241.

242.

243.

244.

245.

246.

247.

248.

249.

250.

251.

252.

253.

254.

255.

256.

257.

258.

Intentionally Blank

101-1620 D



Standardizing Innovation

Thank You for your STLHR purchase!



Standardizing Innovation

101-1620 D