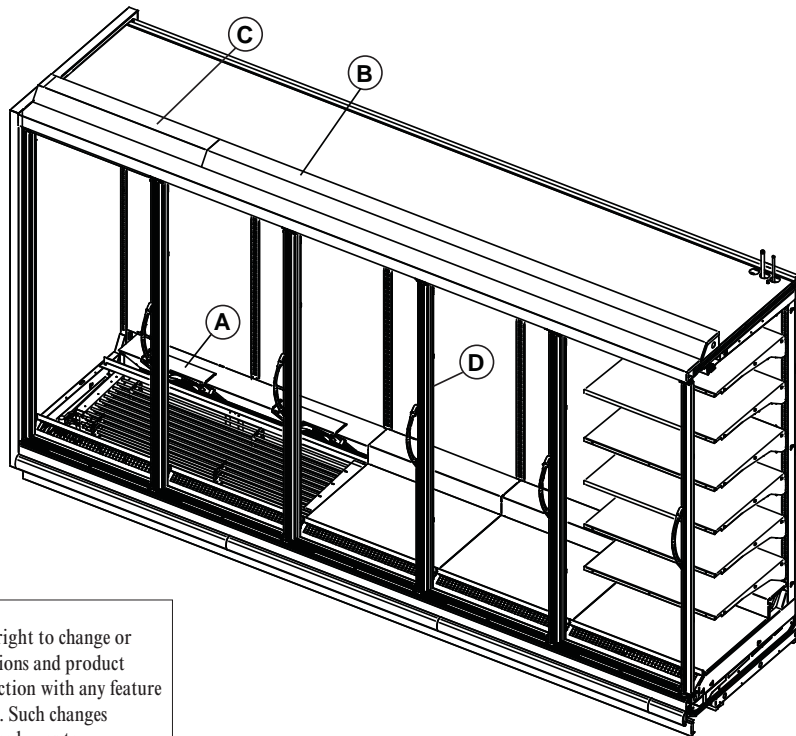


April 2017



DOE 2017
Energy Efficiency
Compliant

Refrigeration and electrical connections are on top. Overhead piping and electrical circuits are required.

We reserve the right to change or revise specifications and product design in connection with any feature of our products. Such changes do not entitle the buyer to corresponding changes, improvements, additions or replacements for equipment previously sold or shipped.

Warning:
Terminal block NOT for case-to-case wire connection!

Item	Part #	Description	Wiring Item #	Item	Part #	Description	Wiring Item #
FAN ASSEMBLIES, AND THERMOSTATS				LED FIXTURES AND POWER SUPPLY			
(A)	Fan Assembly		(1)				
	<u>0530147</u>	Standard Motor (Energy Efficient)		(C)	<u>0550877</u>	Power Supply	
	<u>0557935</u>	Fan Blade		(D)		LED Fixture	
(B)	Optional Adjustable Refrigeration Thermostat		(2)			<i>Replace with like fixtures</i>	

Refer to ECOVISION REACH-IN GLASS DOOR INSTALLATION AND SERVICE manual, for EcoVision frame replacement parts.

Data sheet-Reach-in RMTD

Note: Revision E: April 2017. Updated LED energy values. Other changes marked with a bar, circle or underline.

Engineering Plan Views

Tall Reach-In
2, 3, 4 & 5 Door

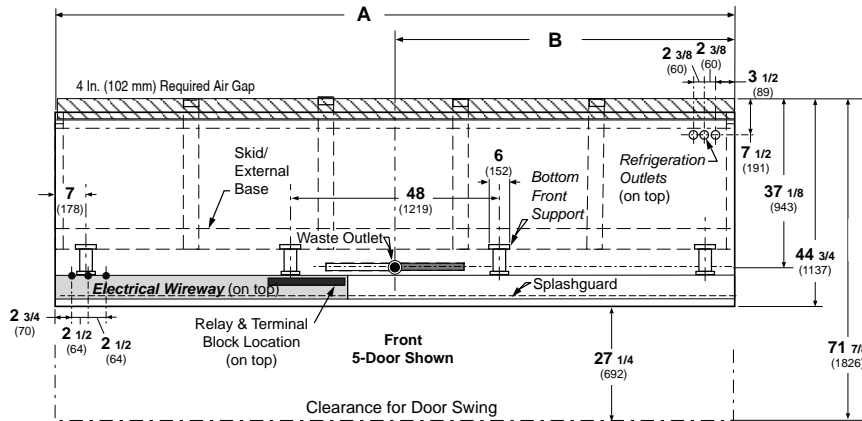
Refrigeration and electrical connections are on top.
Overhead piping and electrical circuits are required.

PHYSICAL DATA

Merchandiser Drip Pipe (in.)	1
Merchandiser Liquid Line (in.)	3/8
Merchandiser Suction Line (in.)	5/8

Dimensions shown as inches & (mm).

RMTD - Plan View
2, 3, 4 & 5 Door



General	2 Dr	3 Dr	4 Dr	5 Dr
(A) Case Length (without ends or partitions) **NOTE: Each solid end adds approximately 2 3/8 in (60 mm) to length of line up; each partition add approximately 2 3/4 in (70 mm); case to case joints can add approximately 1/8 in (3 mm) for gasket material.	62 (1575)	92 1/2 (2350)	122 7/8 (3121)	153 3/8 (3896)
Maximum outside dimension of case back to front (Includes bumper)	44 3/4 (1137)	44 3/4 (1137)	44 3/4 (1137)	44 3/4 (1137)
Back of case to front of splashguard	41 3/4 (1060)	41 3/4 (1060)	41 3/4 (1060)	41 3/4 (1060)
Width of Skid rail	3 3/8 (86)	3 3/8 (86)	3 3/8 (86)	3 3/8 (86)
Width of Bottom Front Support	6 (152)	6 (152)	6 (152)	6 (152)
Stub-up area between front Skid rail and splashguard	7 5/8 (194)	7 5/8 (194)	7 5/8 (194)	7 5/8 (194)
Electrical Service				
Left hand end of case to the center of nearest knockout	2 3/4 (70)	2 3/4 (70)	2 3/4 (70)	2 3/4 (70)
Right hand end of case to the center of center knockout	56 3/4 (1441)	87 1/4 (2216)	117 5/8 (2988)	148 1/8 (3762)
Back outside of case to center of knockout	32 (813)	32 (813)	32 (813)	32 (813)
Raceway Length	62 (1575)	62 (1575)	62 (1575)	62 (1575)
*NOTE: Electrical Field Wiring Connection Point is at terminal.				
Waste Outlet				
(B) Right end of case to center of waste outlet	23 7/8 (606)	54 1/4 (1378)	46 1/4 (1175)	76 5/8 (1946)
Back outside of case to center of waste outlet	37 1/8 (943)	37 1/8 (943)	37 1/8 (943)	37 1/8 (943)
Water Seal				
Edge of water seal to center of waste outlet	13 (330)	13 (330)	13 (330)	13 (330)
Schedule 40 drip piping	1 (25)	1 (25)	1 (25)	1 (25)
** NOTE: Field installed water seal outlets, tees, and connectors are shipped with case.				
Refrigeration Outlet (TOP OF MERCHANDISER)				
RH end of case to center of RH refrigeration outlet	8 3/4 (222)	8 3/4 (222)	8 3/4 (222)	8 3/4 (222)
Back outside of case to center of refrigeration outlet	8 1/2 (216)	8 1/2 (216)	8 1/2 (216)	8 1/2 (216)
Outside bottom front supports from end of case	7 1/2 (191)	7 1/2 (191)	7 1/2 (191)	7 1/2 (191)
Center bottom front support from Centerline	24 (610)	24 (610)	24 (610)	24 (610)
Distance between Center and Outside supports will vary.				
Top piping is standard in the RMTD case.				

Tall Reach-in 2, 3, 4 and 5 Door Models

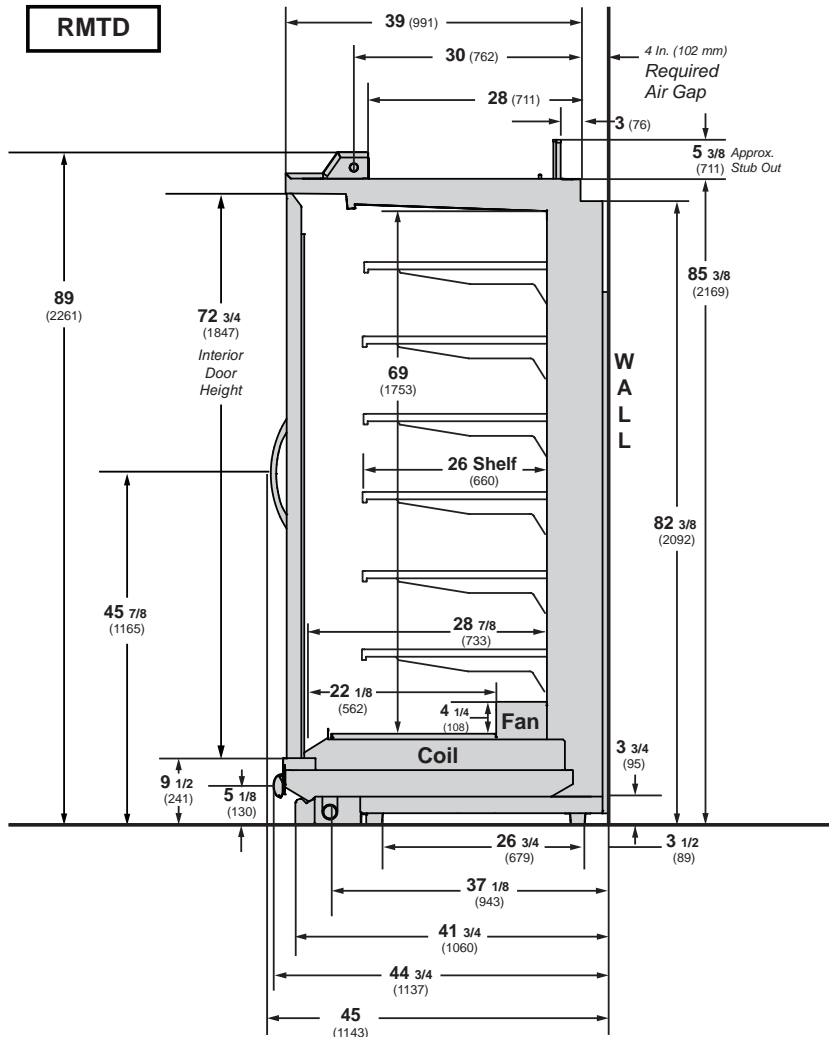


All RL and RM models meet or surpass the requirements of the DOE 2017 energy efficiency standards.

Standard Reach-in configuration consists of EcoVision I doors, energy efficient fan motors, and EcoShine II LED vertical lighting.

Refrigeration and electrical connections are on top. Overhead piping and electrical circuits are required.

Dimensions shown as inches & (mm).



NSF Certification

This merchandiser model is manufactured to meet NSF/ANSI (National Sanitation Foundation) Standard #7 requirements for construction, materials & cleanability.

RMTD

With EcoVision Doors
Dairy, Deli, Beverages

REFRIGERATION DATA[§]

Note: This data is based on store temperature and humidity that does not exceed 75°F and 55% R.H.

	MEDIUM TEMP
Discharge Air (°F)	37
Evaporator (°F)	33
Unit Sizing (°F)	31

§ Average evaporator temperature shown. Use dew point for high glide refrigerants for unit sizing. Care should be taken to use the dew point in PT tables for measuring and adjusting superheat. Adjust evaporator pressure as needed to maintain discharge air temperature shown.

Btu/hr/Door*	NSF	
	TYPE I	TYPE II
ECOVISION		
Parallel	465	530
Conventional	475	540

DEFROST DATA

Frequency (hr)	24
Defrost Water (lb/door/day)	0.7
(± 15% based on case configuration and product loading.)	

ELECTRIC

Temp Term (°F)	NA
Failsafe (minutes)	NA

GAS Not recommended

OFFTIME 30 minutes

CONVENTIONAL CONTROLS

Low Pressure Backup Control	
C/CO (Temp °F)**	+20°/ +10°
Indoor Unit Only, Pressure Defrost Termination (Temp °F)**	

Not Recommended
**Use a Temperature Pressure Chart to determine PSIG conversions.

Estimated Charge ***

2 Dr	2.3 lb	37 oz	1.0 kg
3 Dr	3.2 lb	51 oz	1.4 kg
4 Dr	4.1 lb	66 oz	1.8 kg
5 Dr	5.1 lb	82 oz	2.3 kg

***This is an average for all refrigerant types. Actual refrigerant charge may vary by approximately half a pound (8 oz / 0.2 kg).

****Add 20 BTU/hr/door for 22 in. shelves.

RMTD

With EcoVision Doors
Dairy, Deli, Beverages

Electrical Data

	2Dr	3Dr	4Dr	5Dr				
Number of Fans	2	3	4	5				
	Amperes				Watts			
	2Dr	3Dr	4Dr	5Dr	2Dr	3Dr	4Dr	5Dr
Energy Efficient Evaporator Fan 120V 50/60Hz EcoVision	0.2	0.3	0.4	0.5	14.4	21.6	28.8	36
Door Anti-sweat Heaters (on fan circuit)	N/A							
Frame Anti-sweat Heaters (on fan circuit) 120V 50/60Hz EcoVision	0.13	0.17	0.21	0.25	15	20	25	30
Minimum Circuit Ampacity 120V 50/60Hz EcoVision	0.5	0.7	0.8	1.0				
Maximum Over Current Protection 120V	20	20	20	20				

ONLY LIGHTING CONFIGURATIONS THAT ARE COMPLIANT WITH THE U.S. DEPT. OF ENERGY (DOE) 2017 REGULATION ARE AVAILABLE FOR SALE FOR USE IN THE U.S.A.

	2Dr	3Dr	4Dr	5Dr	2Dr	3Dr	4Dr	5Dr
Standard Vertical LED Lighting								
Husmann EcoShine II™ - A (120V)	0.35	0.53	0.71	0.89	42.5	63.8	85.1	106.4
Husmann EcoShine II™ - A (220V Export)	0.19	0.29	0.39	0.48	42.5	63.8	85.1	106.4
Optional Vertical LED Lighting								
Husmann EcoShine II™ - B (120V)	0.36	0.52	0.68	0.84	43.2	62.3	81.4	100.5
Husmann EcoShine II™ - B (220V Export)	0.20	0.28	0.37	0.46	43.2	62.3	81.4	100.5

Product Data

<i>Recommended Usable Cube</i> ¹ (Cu Ft/Dr)	34.44 ft ³ /Dr (3.20 m ³ /Dr)
<i>AHRI Total Display Area</i> ² (Sq Ft/Dr)	14.53 ft ² /Dr (4.43 m ² /Dr)
<i>Shelf Area</i> ³ (Sq Ft/Dr)	32.27 ft ² /Dr (9.84 m ² /Dr)

- ¹ AHRI Refrigerated Volume less shelving and other unusable space: Refrigerated Volume/Unit of Length, ft³/ft [m³/m]
- ² Computed using AHRI 1200 standard methodology: Total Display Area, ft² [m²]/Unit of Length, ft [m]
- ³ Shelf surface area is composed of bottom deck plus standard shelf complement, as shown in the Hussmann *Product Reference Guide*. The standard shelf complement for this model is (6) rows of 24-inch shelves.

ESTIMATED SHIPPING WEIGHT ⁴						
Case	<i>1 Dr</i>	<i>2 Dr</i>	<i>3 Dr</i>	<i>4 Dr</i>	<i>5 Dr</i>	Solid End
						<i>(each)</i>
lb (kg)	NA (NA)	926 (420)	1290 (585)	1637 (743)	2006 (910)	60 (27)

⁴ Actual weights will vary according to optional kits included.

RMTD

With EcoVision Doors
Dairy, Deli, Beverages

Fan and Heater Circuits

Electric Defrost (Standard)
Low Temperature

Fan and Heater Circuits - Offtime Defrost (standard) Medium Temperature

CIRCLED NUMBERS = PARTS LIST ITEM NUMBERS
R = Red P = Purple 2P = Purple (2 Bands) DB = Dark Blue BK = Black
LB = Light Blue Pink = Pink BR = Brown Y = Yellow OR = Orange W = White
THESE ARE MARKER COLORS (WIRE MAY VARY.)

