



Installation, Operation,
and Service Manual

Freedom Line

Reach-in

Low or Medium Temperature
Compressor Ready
Narrow Footprint Reach-in
Merchandisers

P/N 0520677 Rev AA
February 2025

Models Covered

RFL, RFLN, RFLNI, RFLNS,
RFLTM, RFM, RFMN,
RFMNS

Certifications



TABLE OF CONTENTS

TABLE OF CONTENTS

Legal Disclaimer	iii
ANSI Z535.5 DEFINITIONS	iii
General Safety Instructions	iv
User Safety and Product Information	iv

Installation

Model Description.	1-1
Husmann Product Control	1-1
Shipping Damage.	1-1
Apparent Loss or Damage	1-1
Concealed Loss or Damage	1-1
Unloading, Moving, and Transporting Case	1-1
Unloading with Pallet Jack	1-2
Location	1-2
Merchandisers Shipped with End Installed	1-2
Shipping Braces	1-2
QR Code	1-2
Shipping Block(s)	1-3
Optional Forklift Pockets	1-3
Moving Through Narrow Entrances	1-3
Final Location	1-6
Leveling	1-6
Door Adjustment.	1-7
Joining Cases in a Lineup	1-7
Apply Gaskets	1-12
Tightening Order	1-17
Installing Bumpers	1-19

Refrigeration / Electrical / Controller

Refrigerant	2-1
Field Installation of Condensing Unit(s)	2-2
Field-Installed Condensing Unit Location.	2-3
Example of Field-Installed	
Condensing Unit on Top of Case	2-4
Condensing Unit & Top-piping	2-4
About Quick Connect Couplings	2-5
Connect Lines	2-5
Correctly Tightened Coupling.	2-7
Top-piping Lines (Continued)	2-7
Insulate Refrigerant Lines	2-8
Field Wiring	2-9
Installing Pump & Collection Pan Kit	2-10
Installation of Water Lines	2-13
Pre-Installation System Cleaning	2-14
Electronic Controller.	2-15
Controller Operation.	2-17
Controller Location.	2-18
Sensor Location	2-19

Facade and Splashguard

Install Facade	3-1
Installing Splashguard Brackets	3-2
Installing Splashguards	3-2
Sealing Splashguard to Floor	3-3
Installing Bumpers	3-4

Start up / Operation

Expansion Valve Adjustment	4-2
Prior to Start Up Checklist	4-3
Start Up Checklist	4-3
Defrost	4-4
Checklist After 12 Hour Run Time	4-4
Load Limits	4-5
Stocking	4-5
Installing FDA/NSF Required Thermometer	4-5

Maintenance and Service

Care and Cleaning	5-1
Cleaning Honeycomb Assemblies	5-2
Cleaning Stainless Steel Surfaces	5-2
Cleaning Coils	5-2
Top Mount Cleaning & Maintenance	5-3
Cleaning Condensate Pump and Heated	
Evaporation Pans	5-4
Cleaning Under Merchandisers	5-4
Removing Scratches from Bumper.	5-4
Refrigerant Removal, Evacuation, Recovery	5-5
Recovery Procedure.	5-5
Refrigerant Charging Procedure.	5-6
Replacing Fan Motors and Blades	5-7
Replacing Electric Defrost Heaters.	5-8
Replacing Drain Pan Heater - Electric and	
Gas Defrost.	5-9
Servicing Vertical Lighting	5-10
Servicing Doors and Frames	5-10
Replacing Door or Door Frame Parts.	5-10
Repairing Aluminum Coil	5-10
Decommissioning Process	5-11

Optional Drip Piping

Waste Outlet and Water Seal	6-1
Installing Drip Piping	6-1

Warranty

Revision History

Legal Disclaimer

Review all safety warnings on the case and in this manual before attempting start-up. Hussmann shall not be liable for any repair or replacement made without the written consent of Hussmann, or when the product is installed or operated in a manner contrary to the printed instructions covering installation and service which accompanied such product. Please note that failure to follow the instructions in this document may void your factory warranty.

ANSI Z535.5 Definitions

The definitions below are used to clarify the magnitude and urgency of harm and damage, considering problems arising from misuse. Relative to their potential danger, the definitions are divided into five parts according to ANSI Z535 Series.



DANGER indicates a hazardous situation which, if not avoided, will result in death or serious injury.



WARNING indicates a hazardous situation which, if not avoided, could result in death or serious injury.



CAUTION indicates a hazardous situation which, if not avoided, could result in minor or moderate injury.



NOTICE is used to address practices not related to personal injury.



SAFETY INSTRUCTIONS (or equivalent) signs indicate specific safety-related instructions or procedures.

Proposition 65



This warning does not mean that Hussmann products will cause cancer or reproductive harm, or is in violation of any product-safety standards or requirements. As clarified by the California State Government, Proposition 65 can be considered more of a 'right-to-know' law than a pure product safety law. When used as designed, Hussmann believes that our products are not harmful. We provide the Proposition 65 warning to stay in compliance with California State law. It is your responsibility to provide accurate Proposition 65 warning labels to your customers when necessary. For more information on Proposition 65, please visit the California State Government website.



- Merchandiser must operate for 24 hours before loading product!
- Regularly check merchandiser temperatures.
- Do not break the cold chain. Keep products in cooler before loading into merchandiser.
- Merchandisers are designed for loading ONLY pre-chilled products.

Freedom Line

User Safety and Product Information

General Safety Instructions

SAFETY INSTRUCTIONS

This manual was written in accordance with originally prescribed equipment that is subject to change. Hussmann reserves the right to change or revise specifications and product design in connection with any feature of our products.

Personal Protection Equipment (PPE) is required. Wear safety glasses, gloves, protective boots or shoes, long pants, and a long-sleeve shirt when working with this equipment and while handling glass.



The safety of our customers and employees is paramount. The precautions and procedures described in this manual are intended as general methods for safe use of this equipment. Please be sure to comply with the precautions described in this manual to protect you and others from possible harm. Always follow OSHA standards for safety.

Only qualified personnel should install and service this equipment. Personal Protection Equipment (PPE) is required. Wear safety glasses, gloves, protective boots or shoes, long pants, and a long-sleeve shirt when working with this equipment and while handling glass.

Observe all precautions on tags, stickers, labels and literature provided and referenced for this equipment. Use only Hussmann approved parts approved through the Hussmann Performance Parts Website. Verify that all repair parts are identical models to the ones they are replacing. Do not substitute parts such as motors, switches, relays, heaters, compressors, power supplies, or solenoids. Read all safety information regarding the safe handling of refrigerant and refrigerant oil, including the Material Safety Data Sheet. MSDS sheets can be obtained from your refrigerant supplier. Service is to be performed by factory-authorized service personnel, so as to minimize the risk of possible injury due to incorrect parts or improper service. Contact your Hussmann representative to arrange servicing.

1. If the information in these instructions are not followed exactly, a fire or explosion may result, causing property damage, personal injury or death. Observe all precautions on tags, stickers, labels and literature attached to this equipment.
2. Installation and service must be performed by a qualified installer or service agency.
3. This unit is designed only for use with R-290 gas as the designated refrigerant.

UL Listing

These merchandisers are manufactured to meet UL 60335-2-89 standard requirements for safety. Proper installation is required to maintain this listing. This appliance is to be installed in accordance with the Safety Standard for Refrigeration Systems, ANSI/ASHRAE 15.

Federal / State Regulation

These merchandisers at the time they are manufactured, meet all federal and state/provincial regulations. Proper installation is required to ensure these standards are maintained. Near the serial plate, each case carries a label identifying the environment (temperature and relative humidity) for which the case was designed for use.

WARNING

READ THE ENTIRE MANUAL BEFORE INSTALLING OR USING THIS EQUIPMENT.

- Installation and service must be performed by a qualified installer or service agency only as recommended by the manufacturer.
- Only a qualified and authorized technician should attempt to service.
- A hand-held leak detector (“sniffer”) will be used before any repair and/or maintenance.
- Excessive ambient conditions may cause condensation and sweating on doors. Facility operators are responsible for monitoring doors and floor conditions and ensuring the safety of all persons present.
- **WARNING:** Keep clear of obstruction, all ventilation openings in the appliance enclosure or in the structure for build-in.
- **WARNING:** Do not use mechanical devices or other means to accelerate the defrosting process, other than those recommended by the manufacturer.
- **WARNING:** Do not damage the refrigerating circuit.
- **WARNING:** Do not use electrical appliances inside the food storage compartments unless they are the type recommended by the manufacturer.
- Do not use any means to clean, other than those recommended by the manufacturer.
- Do not use means to accelerate the defrosting process or to clean, other than those recommended by the manufacturer.
- The appliance shall be stored in a room without continuously operating ignition sources (for example: open flames, an operating gas appliance or an operating electric heater).
- Do not pierce or burn.
- Be aware that refrigerants may not contain an odour.
- Do not store items or flammable materials atop the unit. Do not walk on case.
- Do not store explosive substances, such as aerosol cans with flammable propellant, in this appliance.
- This appliance is not intended for use by persons (including children) with reduced physical, sensory or mental capabilities, or lack of experience and knowledge, unless they have been given supervision or instruction concerning use of the appliance by a person responsible for their safety.
- Children should be supervised to ensure that they do not play with the appliance.
- Check that cabling will not be subject to wear, corrosion, excessive pressure, vibration, sharp edges, or any other adverse environmental effects. The check shall also take into account the effects of aging or continual vibration from sources such as compressors or fans.
- Use caution when working around refrigeration lines or water lines. Damage to equipment and/or personal injury could occur.
- Do not attempt to move the case in ways other than those described in the “Unloading, Moving, and Transportation” section of this manual.

Freedom Line

User Safety and Product Information

- Any insulation shall be suitable for use with the material being insulated.
- Protection devices, piping, and fittings shall be protected as far as possible against adverse environmental effects, for example, the danger of water collecting and freezing in relief pipes or the accumulation of dirt and debris.
- Do not apply any permanent inductive or capacitance loads to the circuit without ensuring that this will not exceed the permissible voltage and current permitted for the equipment in use.
- Case ventilation openings must be clear of any obstructions. Do not damage the refrigerant circuit.
- Excessive ambient conditions may cause condensation and therefore sweating of doors. Facility operators should monitor doors and floor conditions to ensure safety of persons.
- Always disconnect the electrical power at the main disconnect when servicing or replacing any electrical component. This includes, but is not limited to, such items as fans, heaters, thermostats and lights.
- Do not use mechanical devices or other means to accelerate the defrosting process.
- Do not use electrical appliances inside the food storage compartments of the case(s).

Additional warning related to servicing and maintaining equipment can be found in the maintenance and service section. Read all warnings prior to installing, performing maintenance, or servicing the equipment in any way.

CAUTION

- Do NOT block air vents. Obstructing air vents will affect case performance, which could potentially lead to case failure.
- Do NOT use HOT water on cold glass surfaces. This can cause the glass to shatter and could result in personal injury. Allow glass fronts, to warm before applying hot water.
- In the event of glass breakage, use caution. Broken glass can cause lacerations, cuts, and puncture wounds which may result in severed arteries or tendons, amputations, eye injuries, or exposure to disease.
- Do NOT allow cleaning agent or cloth to contact food product.
- Product will be degraded and may spoil if allowed to sit in a non-refrigerated area.

Serial Plate Location

Serial plates are located on the left side, facing the case. The serial plate contains information about the specific model and its operating parameters.

INSTALLATION

Model Description

Freedom Line models are designed to be ready for remote installation of a top-mounted air-cooled or water-cooled condensing unit. They are controlled by an electronic control. The case temperature is controlled by cycling the compressor based on the discharge air temperature input. The sensor for this input is located above the interior top panel at the right door. Another sensor, located on the bottom center evaporator coil return bend, is used for defrost termination. The controller is programmed for low or medium temperature operation, and is adjusted for the required temperature by the keypad located on the front of the controller, which is on the top of the case.

Cases running on individual condensing units may be installed as stand-alone cases with ends, or as a part of a lineup. When installed in a lineup, Hussmann recommends that partitions be installed between individual cases to prevent frost buildup and other issues that might result from different defrost schedules and operating temperatures.

Hussmann Product Control

Serial number and shipping date of all equipment is recorded in Hussmann's files for warranty and replacement part purposes. All correspondence pertaining to warranty or parts ordering must include the serial number of each piece of equipment involved. This is to ensure the customer is provided with the correct parts.

Shipping Damage

All equipment should be thoroughly examined for shipping damage before and during unloading. This equipment has been carefully inspected at our factory. Any claim for loss or damage must be made to the carrier. The carrier will provide any necessary inspection reports and/or claim forms.

Apparent Loss or Damage

If there is an obvious loss or damage, it must be noted on the freight bill or express receipt and signed by the carrier's agent; otherwise, carrier may refuse claim.

Concealed Loss or Damage

When loss or damage is not apparent until after equipment is uncrated, retain all packing materials and submit a written response to the carrier for inspection within 15 days.

Unloading, Moving, and Transporting Case

Improper handling may cause damage to the merchandiser when unloading. Use the shipping brace and arched pod locations to lift when unloading cases.

- Do not drag the merchandiser out of the trailer. Use a Johnson bar (mule).
- Do not lift the case by the liner. Lift with the metal case base, or the shipping brace.
- Do not lift from the bottom edge of the end panel.

1-2 INSTALLATION

Location

These merchandisers are designed for displaying products in air conditioned stores where temperature is maintained at or below the ANSI/NSF-7 specified level and relative humidity is maintained at or below 55%. Do not install merchandiser in public corridors or lobbies. Placing refrigerated merchandisers in direct sunlight, near hot tables or near other heat sources could impair their efficiency. Like other merchandisers, these are sensitive to air disturbances. Air currents passing around merchandisers will seriously impair their operation. Do NOT allow air conditioning, electric fans, open doors or windows, etc. to create air currents around the merchandisers.

To prevent sweating on the exterior surfaces of merchandisers, there must be A MINIMUM CLEARANCE OF 4 INCHES (102 MM) between the merchandisers and other fixtures or walls.

A 5.5 inch (140 mm) space is required between facade top and the ceiling. A louvered Facade Panel kit is available that will allow for a top spacing minimum clearance of 4 inches (102 mm).

Product should always be maintained at proper temperature. This means that from the time the product is received, through storage, preparation and display, the temperature of the product must be controlled to maximize the life of the product. Condensing units installed on top of the merchandiser require air circulation to operate properly. Blocking or restricting air flow will adversely affect performance and may damage the refrigeration system. If the ceiling and/or walls are built up around the merchandiser, allow for a sufficient gap above or behind the merchandiser to provide adequate air circulation. When merchandisers are installed in a lineup, case must be taken to ensure that warm condenser air is not blown from one unit into the condenser of the adjacent unit.

Exterior Loading

Do NOT walk on top of merchandisers or damage to the merchandisers and serious personal injury could occur. **THEY ARE NOT STRUCTURALLY DESIGNED TO SUPPORT EXCESSIVE EXTERNAL LOADING** such as the weight of a person. Do not store items or flammable materials on top of the case.

Merchandisers Shipped with End Installed
If the case was shipped with the end installed, two long bolts were used to hold the shipping brace to the end. If the shipping bolts are reinserted after removing the brace, they will extend into the product area and may damage the coil. **THEREFORE, BE SURE TO REPLACE THESE BOLTS WITH THE SHORTER BOLTS PROVIDED.**

Be careful not to damage the factory-installed end while moving the merchandiser. Make sure that tools are positioned past the end and beneath the merchandiser's support bar.

Shipping Braces

Move the merchandiser as close as possible to its permanent location and then remove all packaging. Check for damage before discarding packaging. Remove all separately packed accessories such as kits and shelves.



Front Shipping Brace

QR Code

Freedom cases have a QR code located on the serial plate. Once the QR code is scanned with a smart phone, links to installation videos, data sheets with case specifications, the installation and operation and service manual, as well as a link to replacement parts from Hussmann's Performance Parts Website.

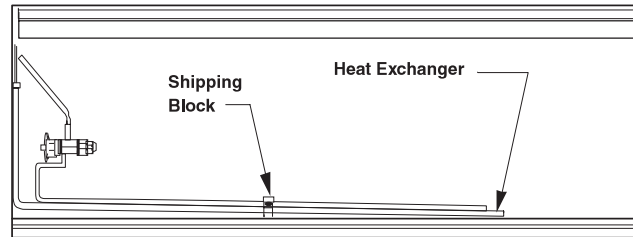


Shipping Block(s)

Shipping block(s) must be removed before operating cases(s).

Locate and remove the shipping block(s) near the heat exchanger as shown below.

This block was installed to minimize shipping vibration. Remove the bottom display pans and air return grilles from the case(s).



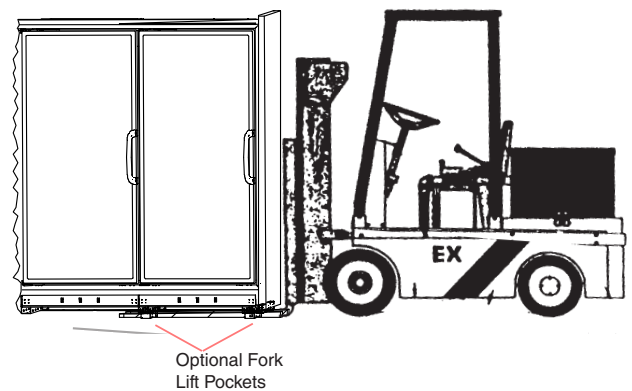
Interior View of Case Bottom

Optional Fork Lift Pockets
(not for RFLTM)

Underneath the case there are pockets where the forks of a forklift can be inserted to move the case into the store. Ensure forks are inserted through all four pockets prior to moving the merchandiser. These shipping pockets (if ordered with the case(s)) can be used to bring the merchandiser into the store and place it to its final location.

⚠ WARNING

» Ensure the forks are inserted all the way through all four pockets before lifting the case. Case tipping could cause personal injury and / or damage to the equipment.



Moving Merchandiser Through Narrow Store Entrances

Some exterior merchandiser parts may be disassembled for transit access through small doors or passage ways. The minimum door opening size is 36 in. x 83 in. This procedure takes approximately 30 minutes to disassemble and reassemble one case. Contact your Hussmann representative to see if store merchandisers have this kit option.

Follow the steps below to decrease the Freedom profile for narrow access:

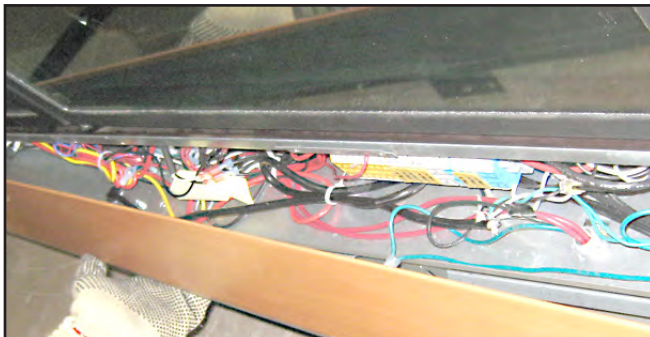
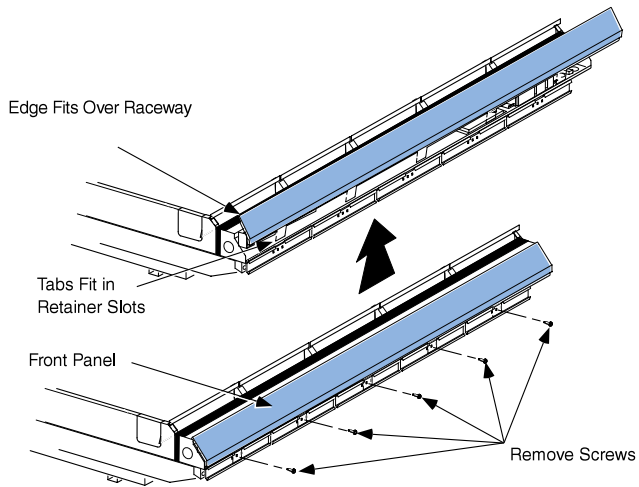
1. Remove the door handles.



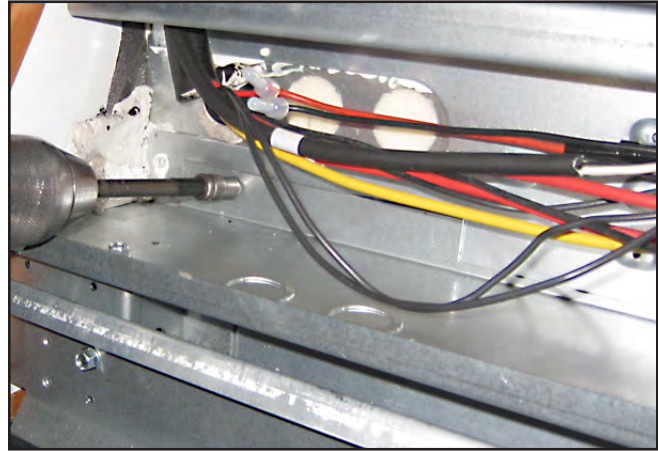
2. Remove the front bumper. Pull from the bottom and set aside.

3. Remove Lower Front Panel.

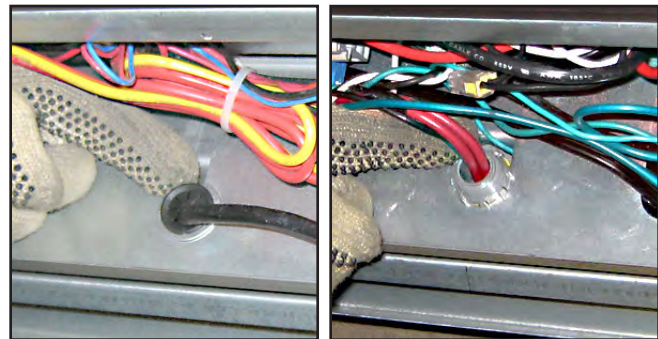
Remove the front panel as follows: remove screws from front panel tabs, then lift the front panel. Refer to the illustration below.



4. Remove the screws that attach the wireway pan to the bottom assembly.



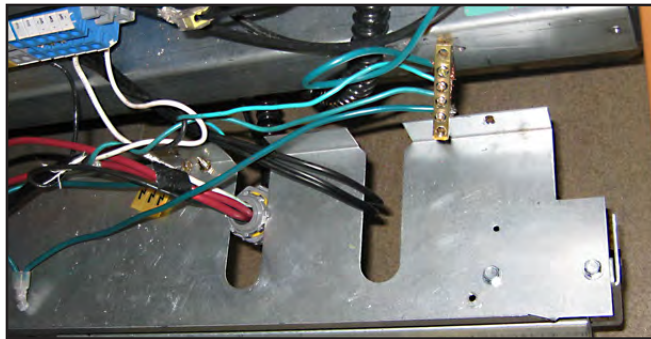
5. Detach the rubber and plastic gromets from the wireway pan.



6. Remove the screws that attach the grounding lug to the wireway pan.

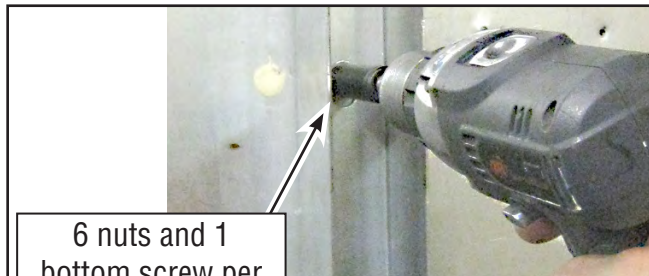


7. Slide the wireway pan out, and remove it from the case. Bumper brackets and supports are attached to wireway pan. Removing the pan will remove the entire assembly.

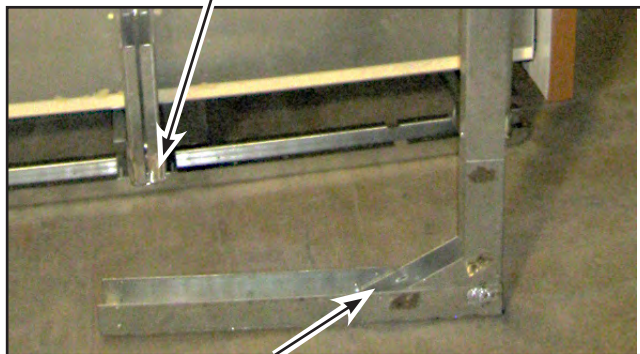


(Optional)

8. Remove the back, external braces from the rear of the case as shown below. Braces will slide straight back away from the case when nuts and screws are removed.

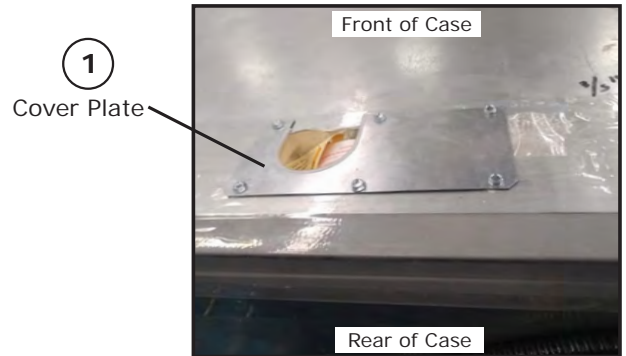


6 nuts and 1 bottom screw per external brace



Bottom screw is located approximately 10 inches inboard from the rear of the case. Bottom screw location on removed rear brace.

9. The splashguard panels and case facade can be removed from the top of the case to provide clearance for door openings.
10. Remove the piping cover plate from the top of the case (6 screws).



11. Pull the hoses to the inside of the case. Avoid bending tubing sharply to prevent damaging the tubes.
 - A. Check that all wiring is secured inside of the case and wireway.
 - B. Check that all hoses are tucked away.
 - C. Use tie-wraps to secure any loose wires or hoses.

Do not suspend these components by their wire conduits. The case height without these components installed on top is 82.75 in. (2102 mm). Case depth is 35.5 in. with handles, raceway pan and external frames removed.

NOTE: Care must be taken to ensure that insulation is not damaged during removal or replacement.

Final Location

Once the case reaches its final location, reassemble the wireway and door handles as follows:

1. Reinstall wireway pan in reverse order of removal.
2. **The ground lug must be reinstalled using the two screws provided.**
3. **Replace the conduit connectors and plastic gromets to the wireway pan.**
4. Replace wireway cover, piping cover, bumper and door handles.

At completion of all electrical work, installation contractor shall re-install the front panels using care to ensure all panels are centered and properly fastened.

Be sure to replace all screws and secure all components. The condensing unit produces vibration that can cause screws to loosen.

Leveling

Merchandisers must be installed level to ensure proper operation of the refrigeration system and to ensure proper drainage of defrost water. When leveling merchandisers, use a carpenter's level as shown.

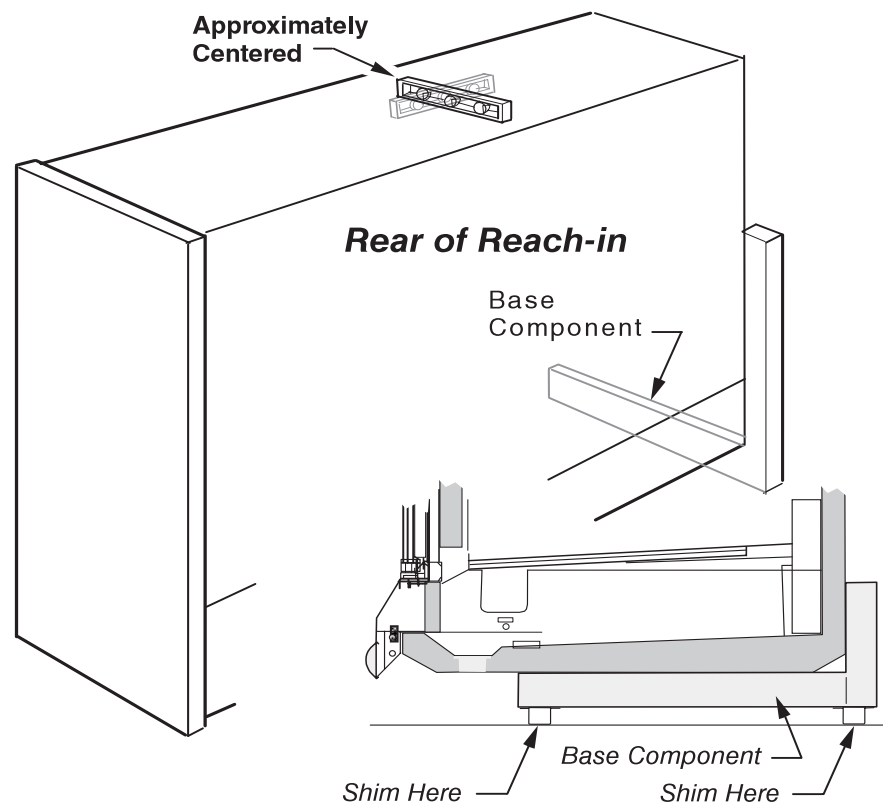
Metal leveling shims or wedges are provided with each merchandiser for use if needed.

NOTE: BEGIN LINEUP LEVELING FROM THE HIGHEST POINT OF THE STORE FLOOR.

Place shims under the rail and make sure that they are positioned at a base component (crossbar). This transfers the weight directly from the loaded case through to the floor.

See illustration below.

Placing shims at other locations will cause uneven distribution of weight leading to piping leaks, as well as sagging or wracked doors.



Door Adjustment

After leveling and joining the merchandisers, adjust and level doors according to manufacturer's instructions shipped with each product. Factory settings may be lost due to vibration during shipment.

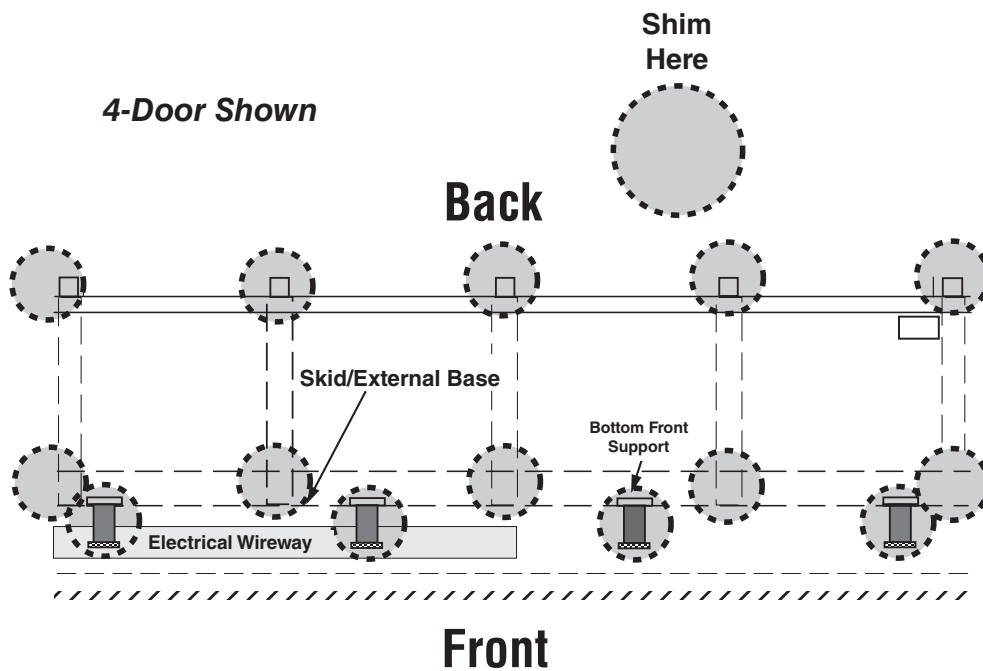
Joining Cases in a Lineup

Sectional construction means that two or more merchandisers may be joined in line yielding one long continuous display requiring only one pair of ends.

Joining kits and instructions are shipped with each merchandiser.

To join like fixtures, a joining kit is required. To join unlike fixtures, or like fixtures operating at different temperatures, a 1 1/2 inch (38 mm) partition kit is required. To join same temperature merchandisers on different defrost cycles, a plexiglass partition kit is required.

ALL JOINTS MUST BE AIR-TIGHT TO PREVENT FORMATION OF ICE OR CONDENSATION.



Correct Shim Location is Critical

⚠ CAUTION

» Do not store items or flammable materials on top of the unit. Do not walk on case.

JOINING INSTRUCTIONS

Splashguard brackets must be installed before piping or wiring case.

PARTS LIST

Item	Quantity	Description
1.	2	Donut Gasket
2.	1	Gasket, .906 x 1/2 x 200 in.
3.	1	Gasket, 1/2 x 1/4 x 600 in.
4.	8	Cap Screw 5/16 -18 x 1 1/4
5.	8	Split Lock Washers 5/16
6.	1	Joint Molding
7.	5	Binder Post and Screw
8.	1	Splice Connector

NOTE: Be sure first merchandiser has been leveled according to the main installation instruction. Carefully unpack and inspect the joining parts listed above to verify completeness and that there is no damage.

1 Prepare cases for joining as shown in Figure 1.

- A. Packing materials, bumpers and splashguards should be removed.
- B. Remove shelves (if installed).
- C. Remove display racks and pans from ends to be joined.
- D. Remove plenum covers.

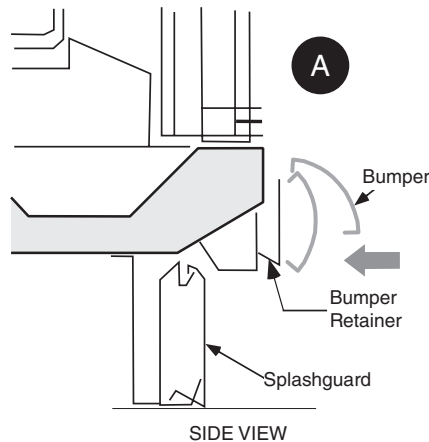
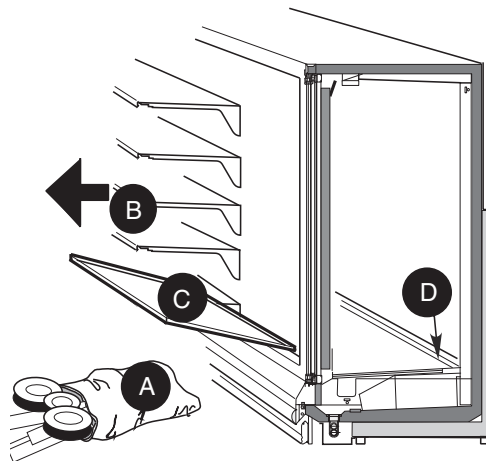
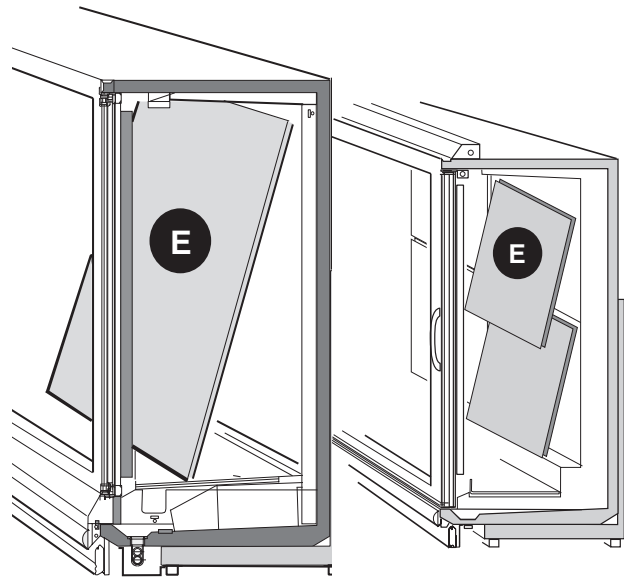


Figure 1. Prepare Cases

RFL

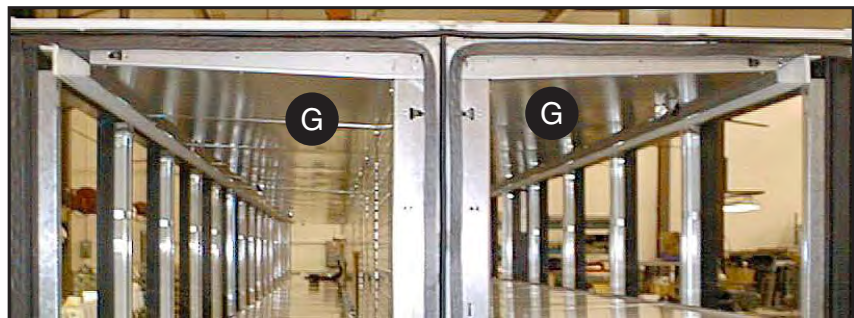
- E. Remove back panels from ends to be joined by lifting up and out near the bottom. No tools are necessary.



- F. Remove joint molding from any door frames that will be joined to another case.



- G. RFLNI Only: Remove screws and interior top panel on both sides of the island case end to be joined (see Figure 1).



RLNI & RLNI

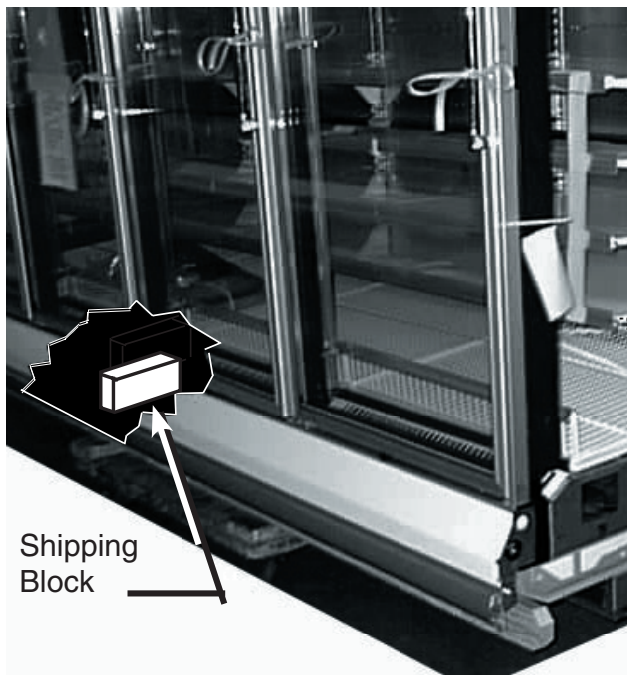


Figure 2. Remove Shipping Block(s)
(Some cases have more than one shipping block)

- 2** Locate and remove any shipping block(s) near the heat exchanger in the interior bottom of each case, see Figure 2.

Snap a chalk line on the floor to use as a guide for positioning the front of the cases in the line-up. The front base frame should be on the chalk line.

- 3** Once cases are close to final placement, remove the shipping braces from the ends to be joined, see Figure 3. Discard bolts and flat washers used to hold shipping braces. Bolts are too long to be used for joining.



Shipping Brace

DO NOT USE SHIPPING BOLTS TO JOIN CASES!



Figure 3. Remove Shipping Braces

4 If not already installed make sure Nut Retainers and Alignment Pins are in place in the right end frame as shown in Figure 4A or 4B.

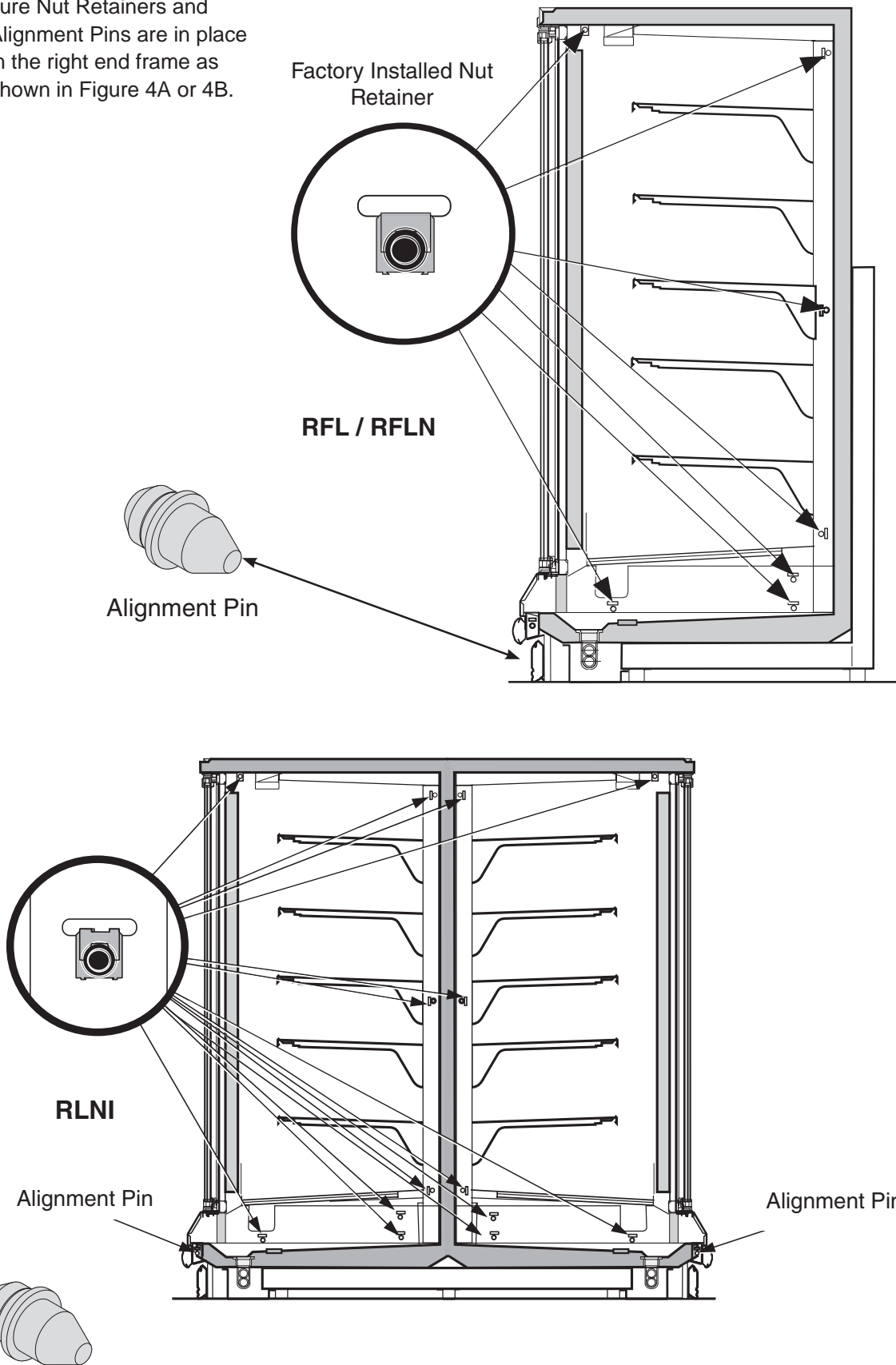


Figure 4 Verify Nut Retainer Installation

- 5 Apply Donut Gasket – 1 in recess around both left end and right end as shown in Figure 5A and 5B (5B shown on next page).

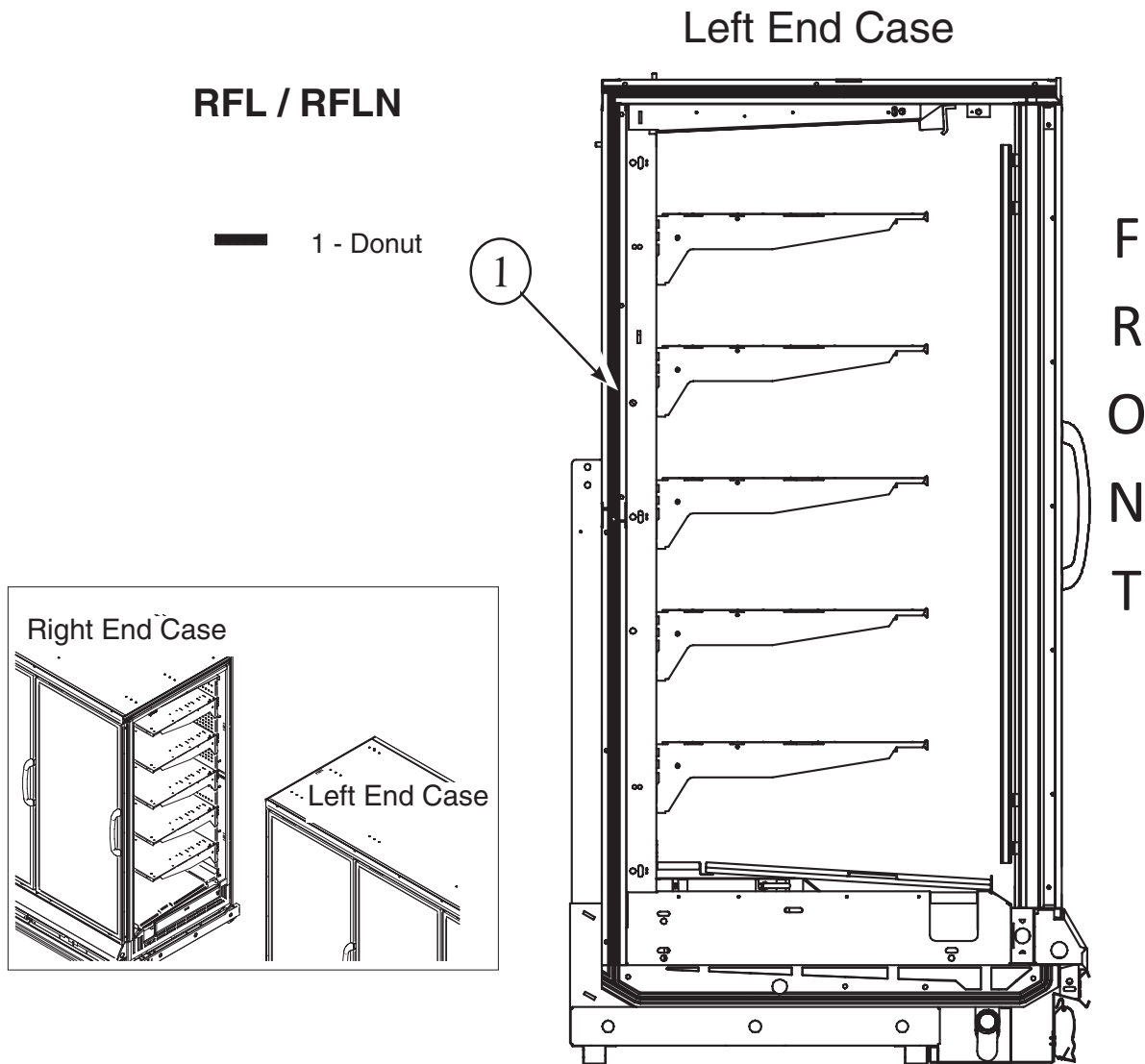


Figure 5A Apply Gasket to Left End

Apply the wider Foam Tape Gasket — 2 around the right end frame as shown in Figure 5B below. Apply gasket pad to right end first, then apply the narrower Foam Tape Gasket — 3 around the perimeter of the right end frame outside of the donut gasket as shown in below Figure 5B.

- Lap gaskets at lower corners.
- Check that there are no gaps between gasket and case.
- Do not stretch gasket, especially around corners.
- Do not butt gaskets; always lap joints.
- Remove paper backing after gasket is applied to keep gasket free of debris.
- Gasket has high tack adhesive and must be properly placed the first time.

RFL / RFLN

Butyl is NOT an acceptable substitute for donut or foam gasket.

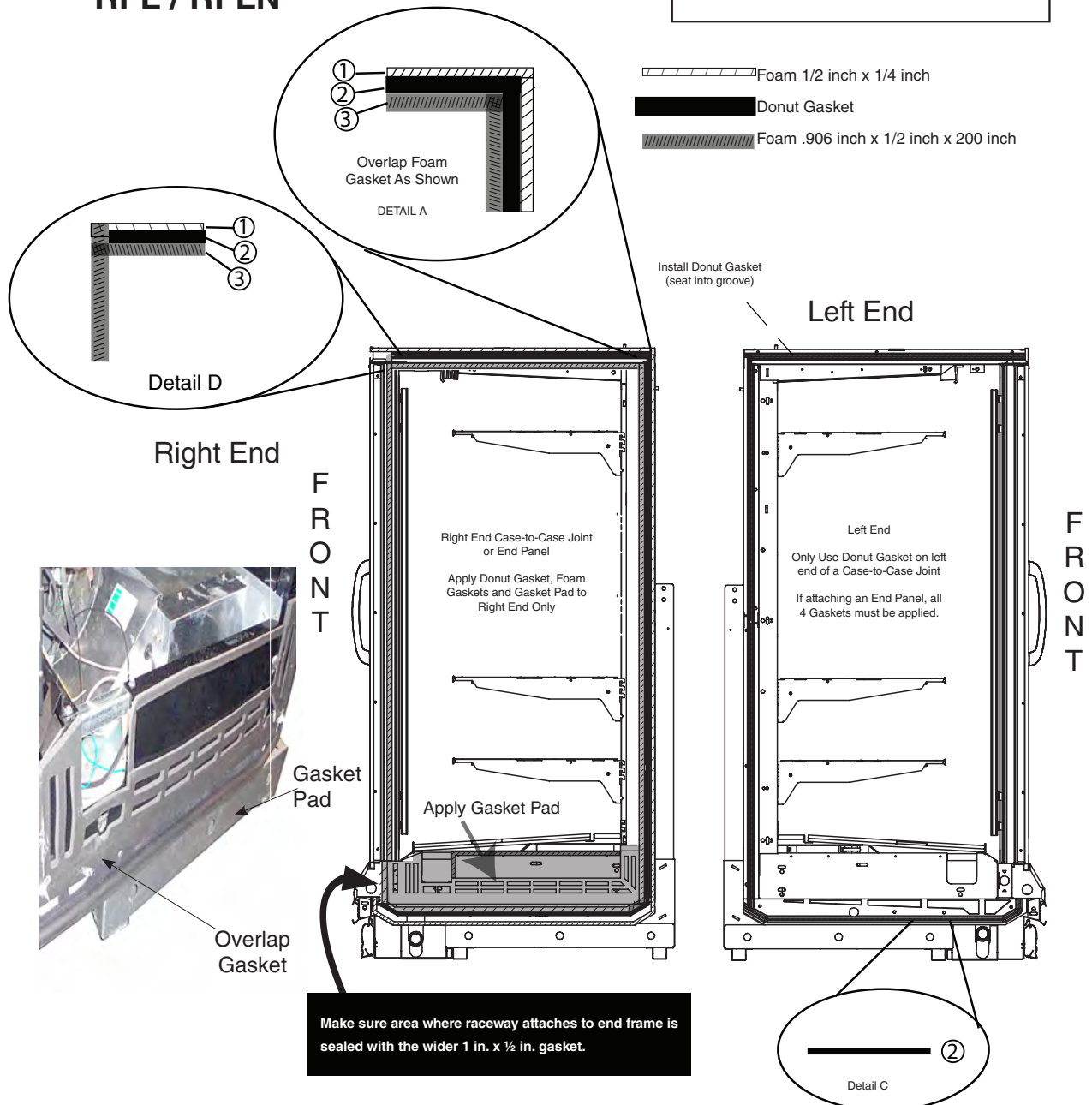
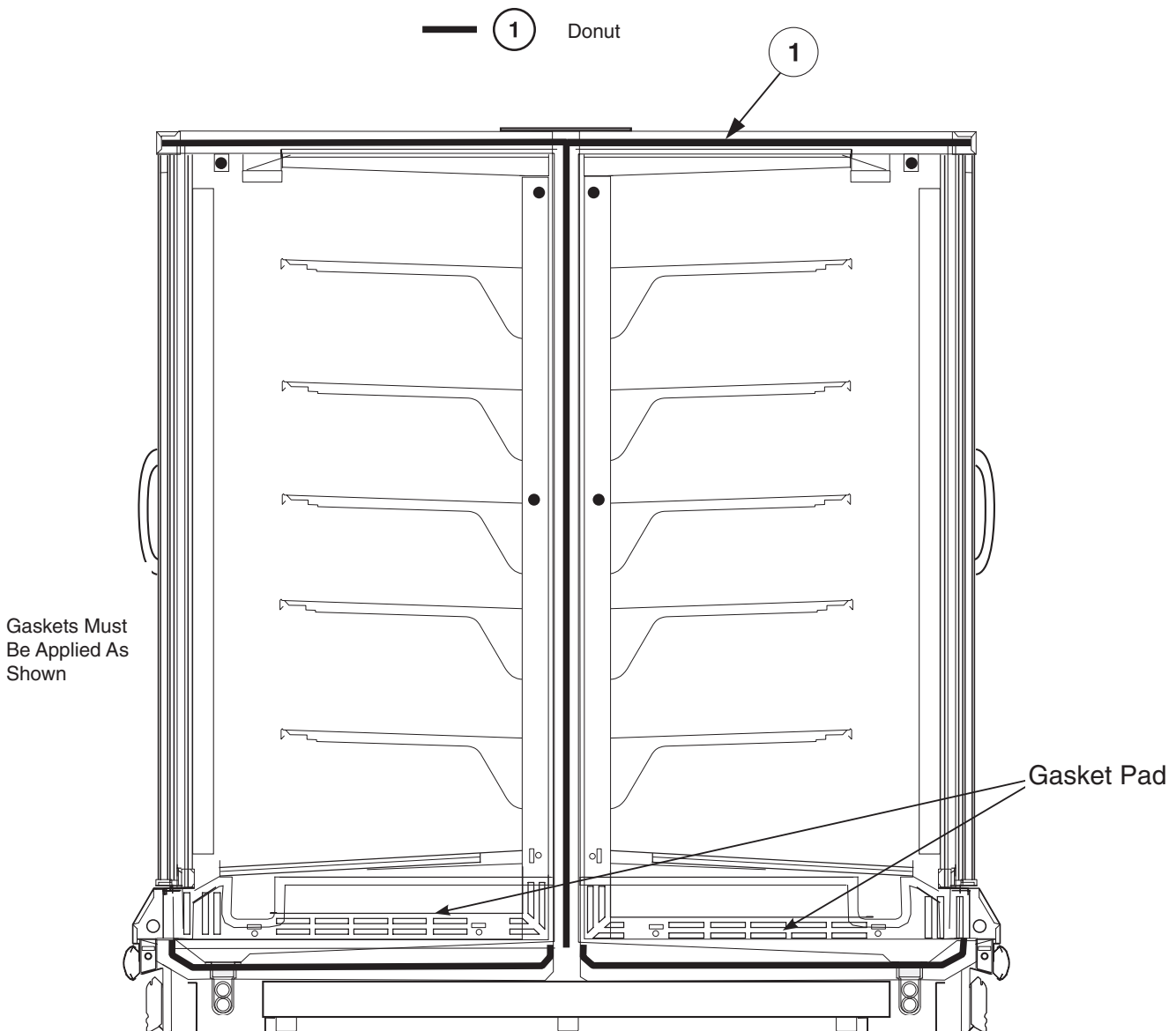


Figure 5B Apply Gaskets to Right End

RFLNI

Left End Case



RFLNI

Right End Case

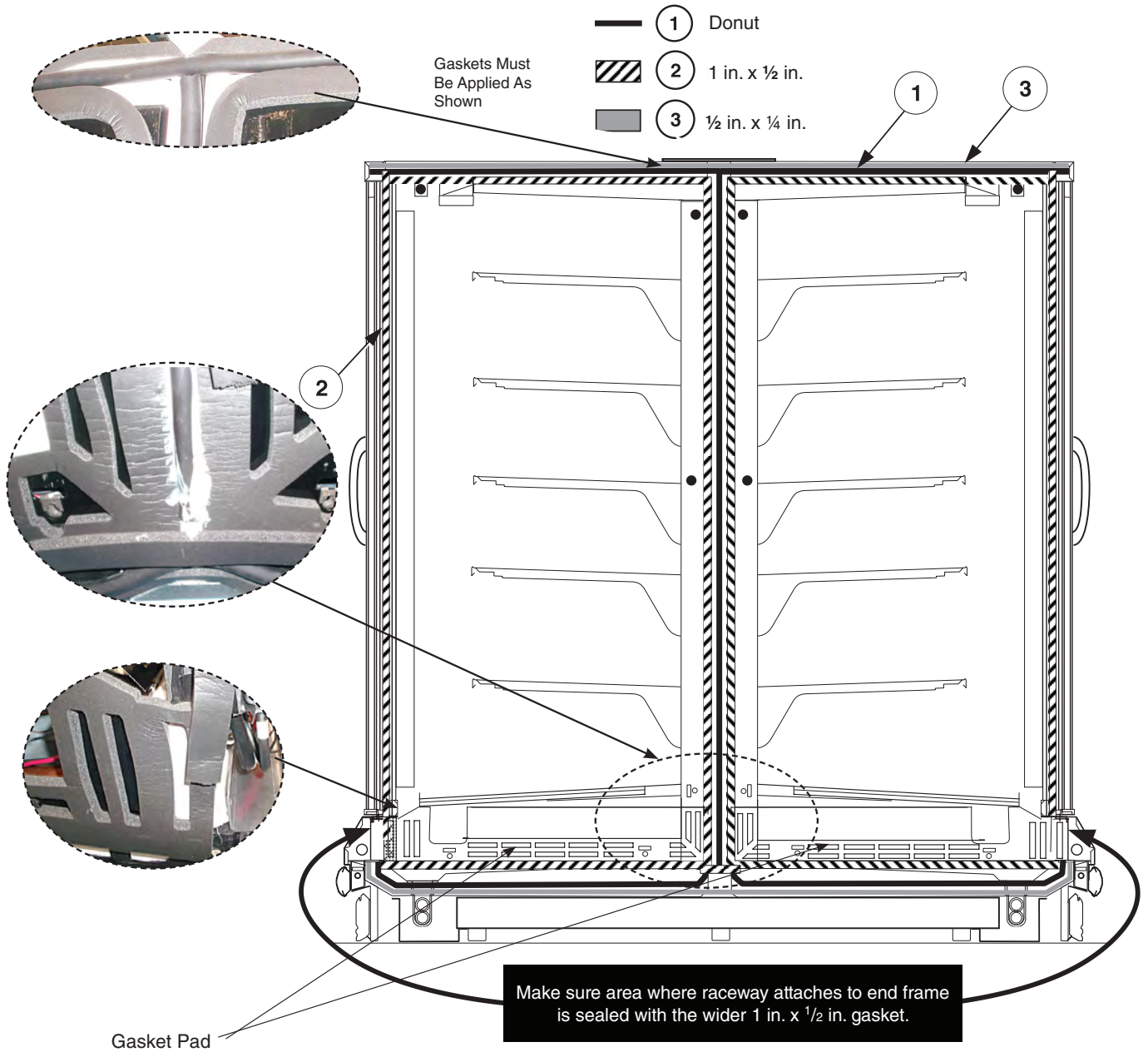
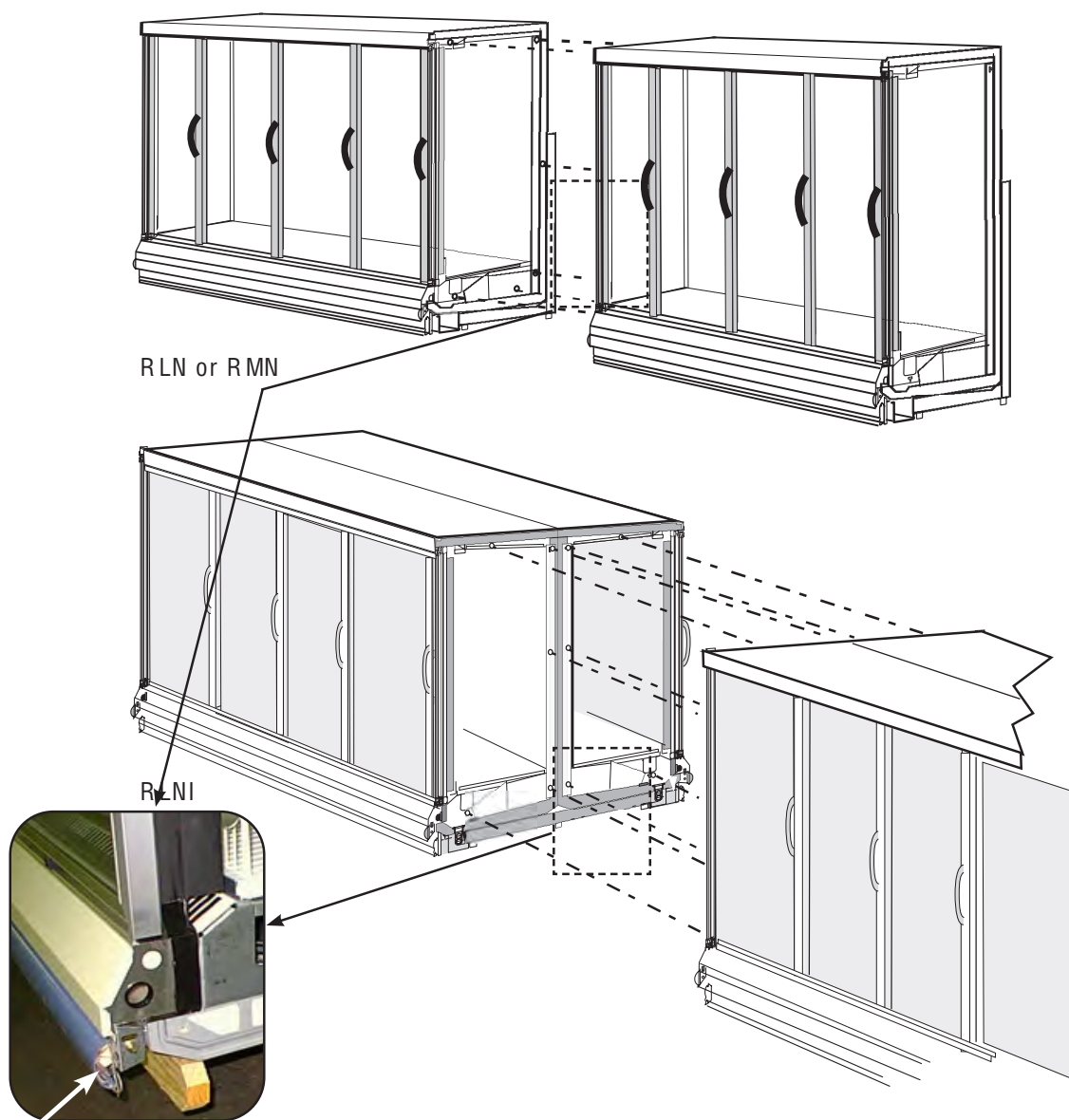


Figure 6B. Apply Gaskets to Right End

- 6 Move the second merchandiser against first, mating alignment pins with corresponding holes. Use care when pushing the cases together.

RFL / RFLNI: Do not cut wires routed along the front bumper retainer. See detail in Figure 7A.



Do not cut wires in bumper retainer.

Figure 7A. Move Cases Together

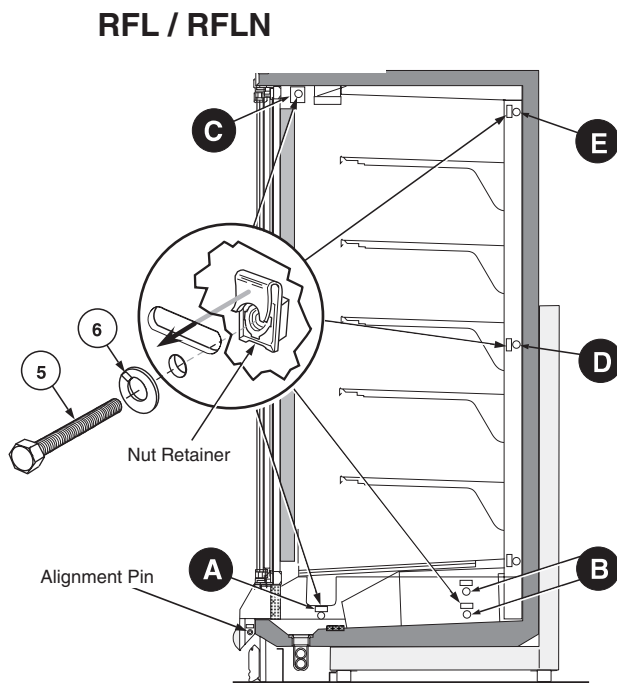


Figure 7B. Joining Sequence

7 Loosely insert Cap Screw – 5 with Lock Washer – 6 into each nut retainer following the sequence shown in Figure 7A. Do not tighten fully.

- A. Fasten bottom fronts together, but tighten only until front panels touch.
- B. Move to the bottom back position and join (2 places).
- C. Join at the top front position.
- D. Go to the middle back wall position and join.
- E. Join at the lower back wall.
- F. Finally, join at the top back wall position.

Following the same sequence, tighten each cap screw fully until the merchandisers are joined with a snug fit and gaskets are compressed.

8 Refer to Section 1 of the Reach-In Installation and Service Manual to install splashguard brackets and bumpers. Section 3 provides direction for installing splashguards, including splashguard Splice Connector – 8.

RFLNI

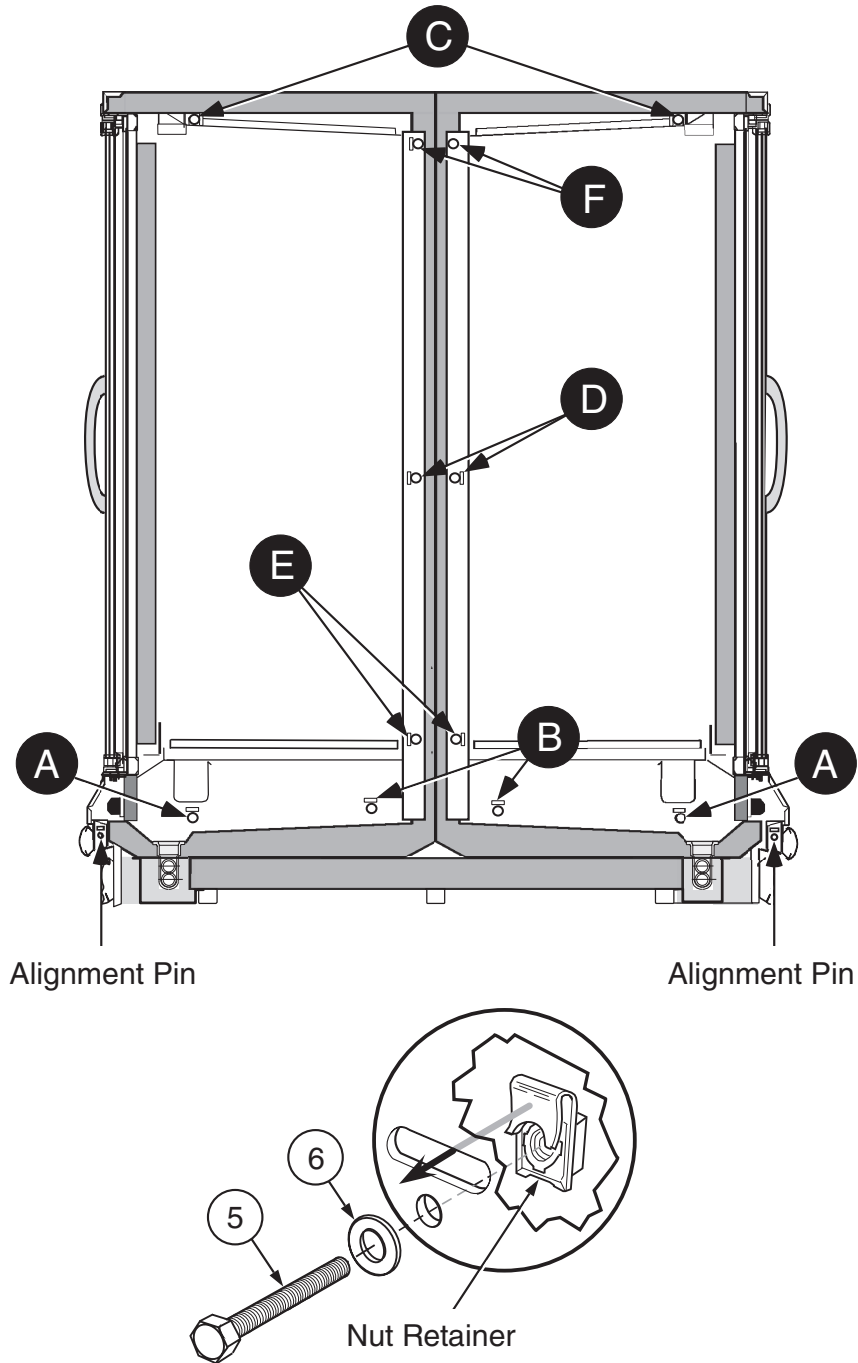


Figure 7C. Joining Sequence for RFLNI Cases

Installing Bumpers

Offsetting the bumpers and top rails helps to disguise the joint locations, giving the lineup a smoother look.

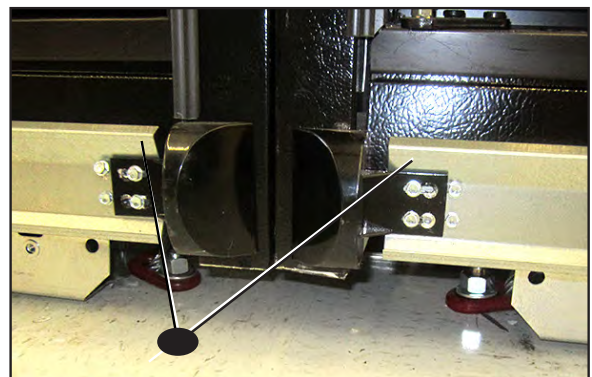
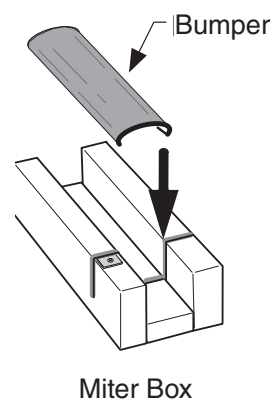
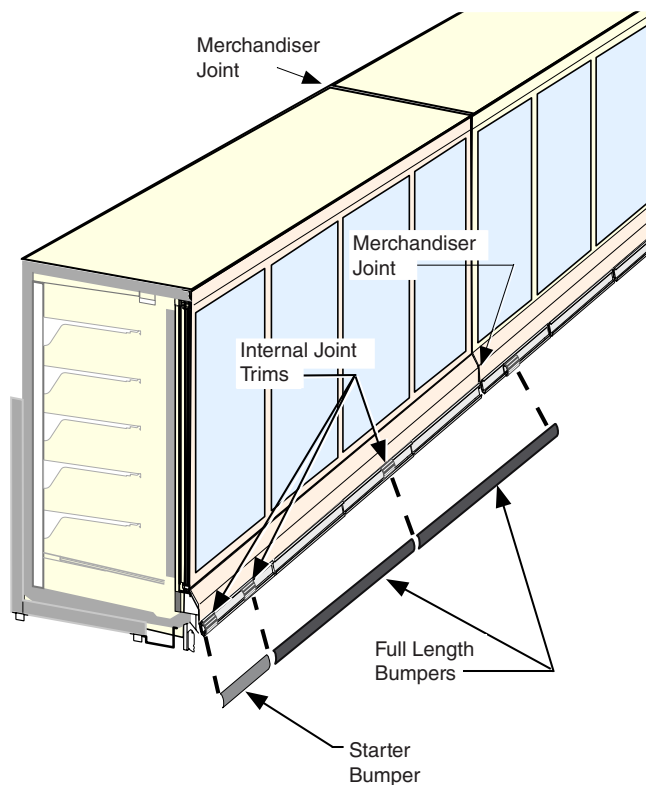
Begin at the left end of the line-up. A starter bumper is factory-installed with end kits. Insert the internal joint trim, then add the full-length bumper.

Align each bumper section with its retainer and push into place, working from the end of the lineup. Install full length bumpers and internal joint trims offset across joints. Make sure that no gaps exist between sections. Continue installing bumpers the length of the line up.

Do NOT install the last bumper sections at this time. These sections will be installed in the last step.

Once all except the last section of bumper have been installed, refrigerate the case line-up for at least six (6) hours. The last sections of bumper should be kept inside a refrigerated case or cooler during this time to allow the bumpers to contract.

Before installing the last full-length section, measure the remaining space. Use a miter box and fine-tooth saw to cut last bumper to length. Install the last section. Remove protective film from bumpers once installation is complete. Optional end bumpers are factory-installed.



NOTES:

REFRIGERATION / ELECTRICAL / CONTROLLER

Refrigerant

Freedom cases and condensing unit are shipped separately with the correct charge amount to equal the total charge needed for proper operation. Labels are placed on top of the case near the condensing unit connections that show the correct refrigerant type and total charge quantity.

When evacuating and re-charging, charge with the total quantity shown on this label. With the correct refrigerant charge, some vapor may be present in the sight-glass. Charging to a “clear” sight-glass may result in compressor failures due to excessive refrigerant.

⚠ CAUTION

- » When brazing pipes be sure to use the insulation blanket shipped with the merchandiser to prevent damage to the plastic case bottom.

⚠ WARNING

- » Refrigeration lines are under pressure. Depressurize and recover refrigerant before attempting any connection or repair.
- » Refrigerant vapor is hazardous to your health and can cause death. Avoid breathing refrigerant and lubrication vapor or mist. Exposure may irritate eyes, nose and throat. If accidental system discharge occurs, ventilate work area before resuming service.
- » Always wear safety goggles and protective gloves when working with refrigerants. Contact with refrigerant may cause injury. Disconnect hoses with extreme caution! All hoses may contain liquid refrigerant under pressure.
- » Be sure that any room where you are working is thoroughly ventilated, especially if a leak is suspected.
- » Read all safety information regarding the safe handling of refrigerant and refrigerant oil, including the Material Safety Data Sheet. MSDS sheets can be obtained from your refrigerant supplier.

⚠ WARNING

—Lock Out / Tag Out —

- » To avoid serious injury or death from electrical shock, always disconnect the electrical power at the main disconnect when servicing or replacing any electrical component. This includes, but is not limited to, such items as doors, lights, fans, heaters, and thermostats.

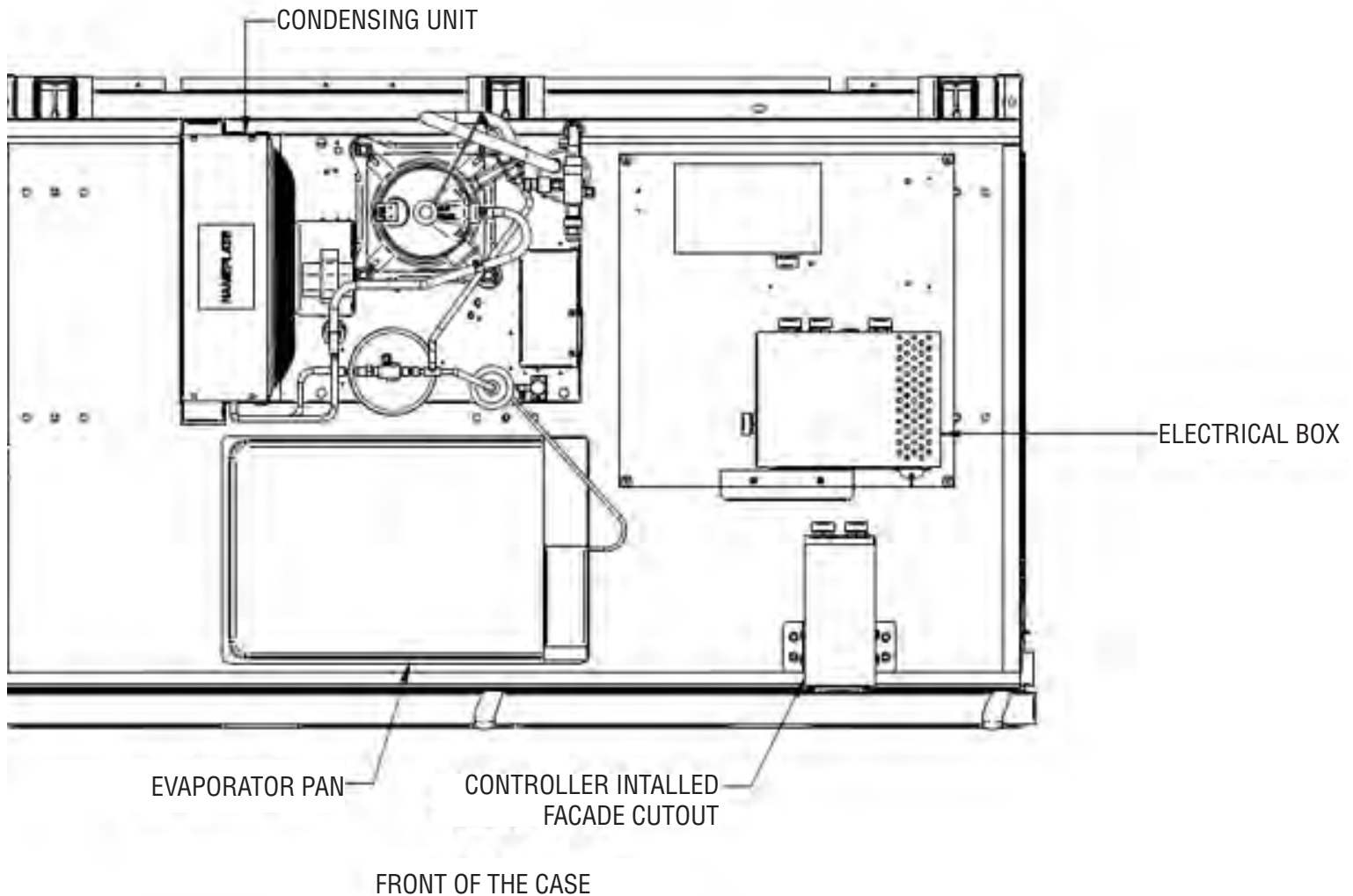
Field Installation of Condensing Unit

(Air-cooled option)

A mounting plate is provided on top of the case with pilot holes that provide specific attachment points for the condensing unit base. The mounting plate is located above the next to last door on the right, facing the case. After mounting the condensing unit, the electrical box and must be re-attached to the top.

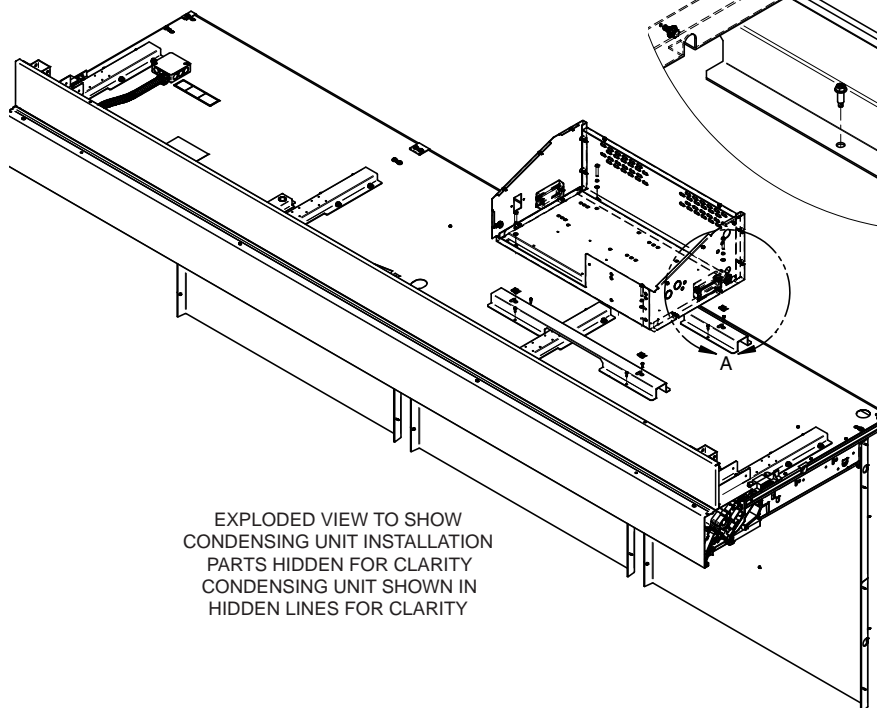
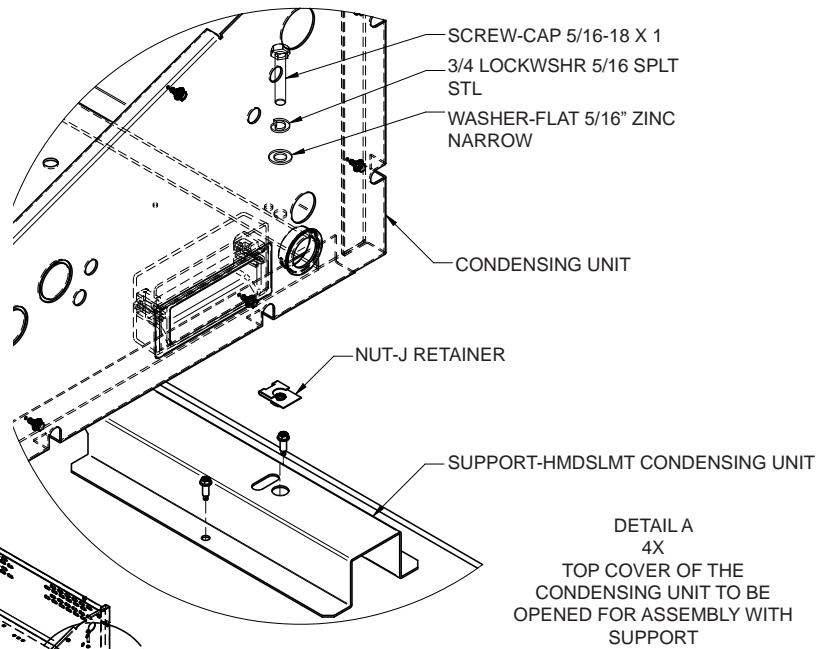
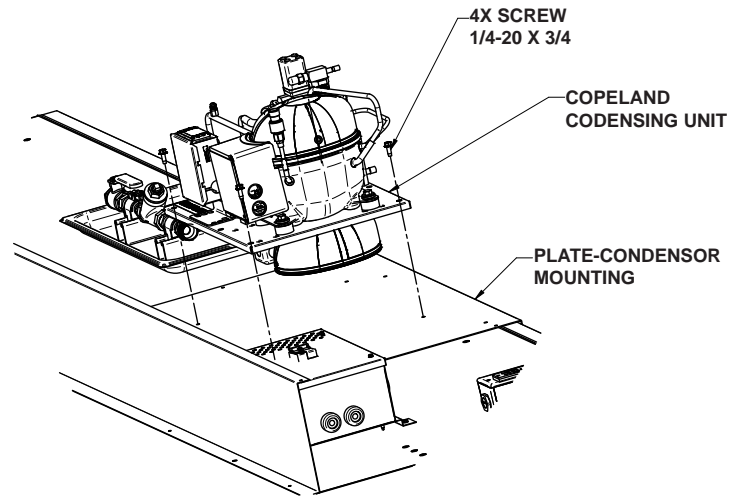
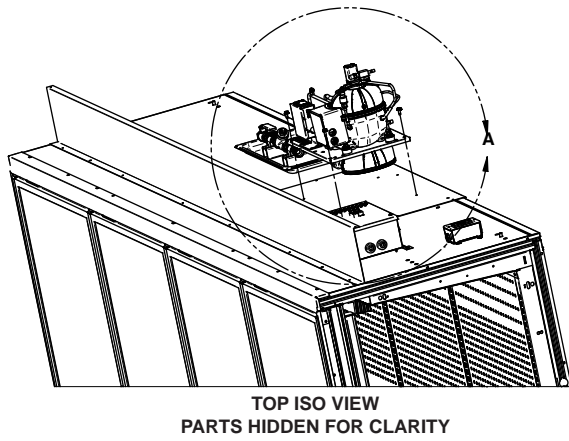
The condensate pan (if provided) is packed inside the case and must also be installed and leveled on top of the case, then hard-wired at the electrical box.

Exact component location is not critical; however, the components should be mounted in the general locations shown to ensure that electrical connections reach, and the condensate pan has adequate air flow from the condenser.

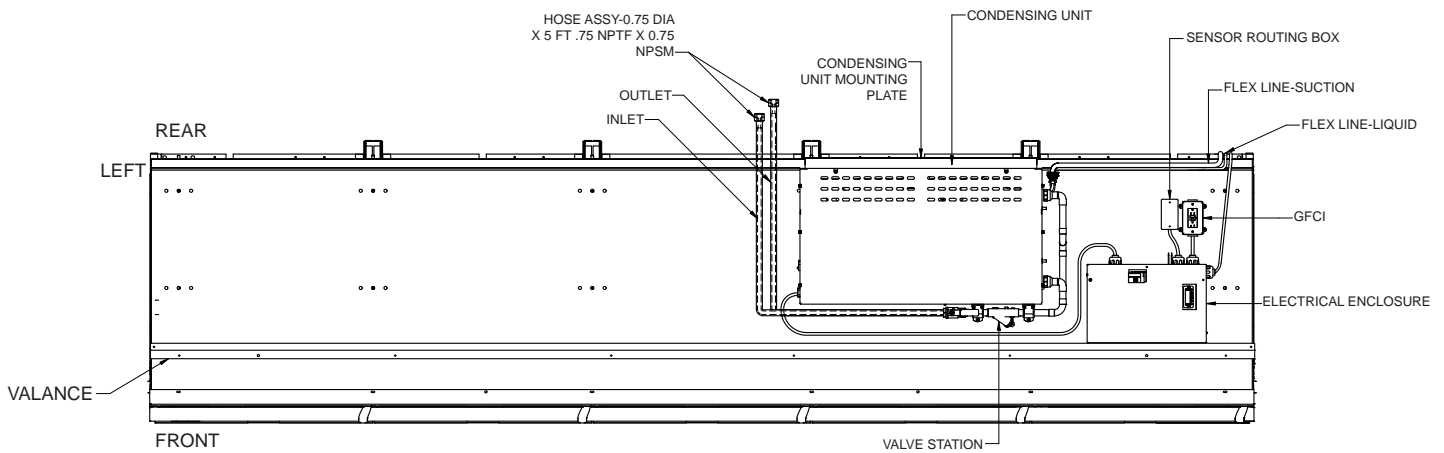


Field-Installed Condensing Unit Location
(Water cooled option)

COPELAND CONDENSING UNIT MOUNTING



Example of Field-Installed Condensing Unit on top of Case
(Water cooled option)



CONDENSING UNIT & TOP PIPING LINE CONNECTIONS

Locate the packout bag from inside of the case.

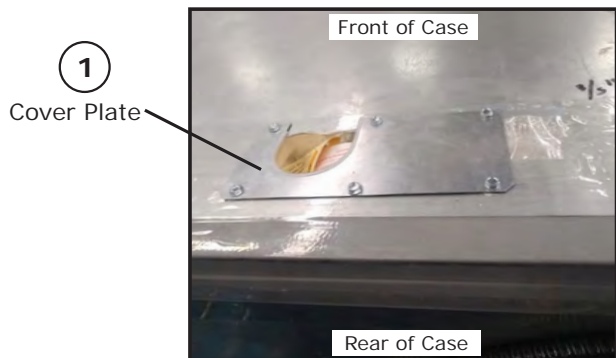
The packout kit contains:

- Filler Foam
- Silicone
- Butyl Tape
- Insulation pre-slit 7/8"

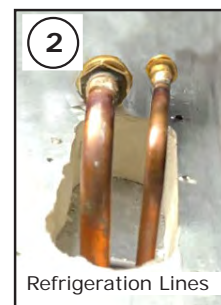
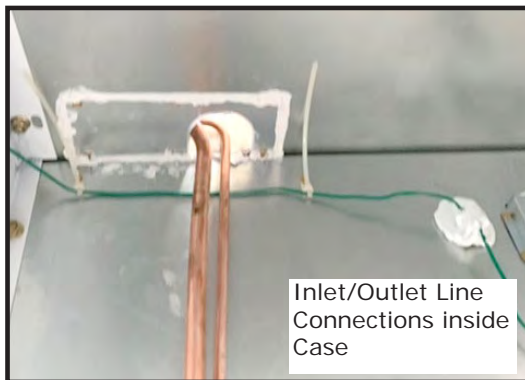


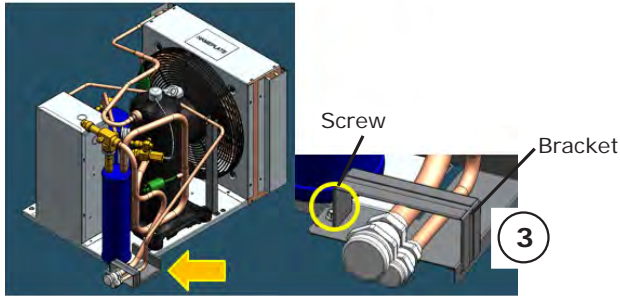
Top-piping line connections preparation:

1. Remove the cover plate from the top-piping slot (6 screws), located on top of case.



2. Pull up the inlet/outlet lines to same height as the condensing unit refrigeration lines. Ensure refrigeration lines are centered in the circular cutout.

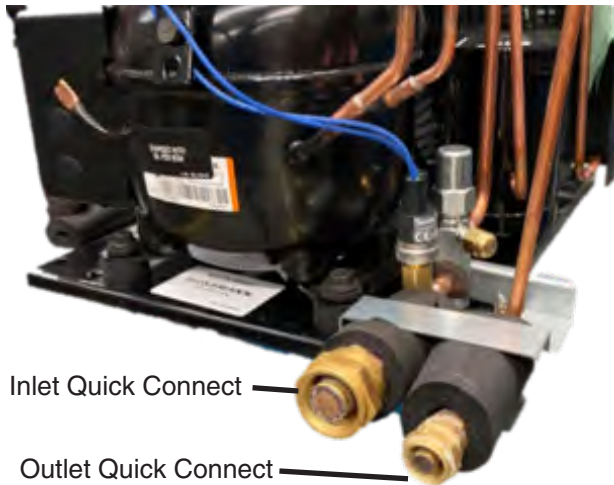




3. Remove condensing unit bracket as shown below.

About Quick Connect Couplings

Quick Connect fittings are provided on both the case inlet and outlet lines, and on Hussmann's Freedom Line condensing units. The case and condensing unit are pre-charged with the correct amount of refrigerant, and the lines are sealed. Connecting the Quick Connects together breaks the seals to connect the refrigeration lines of the unit to the case. The Quick Connects must be properly torqued to avoid refrigerant leaks.



Connect Lines

Mount the suction line and liquid line to the condensing unit. When ready to connect, remove protector caps and plugs from the Quick Connect couplings.

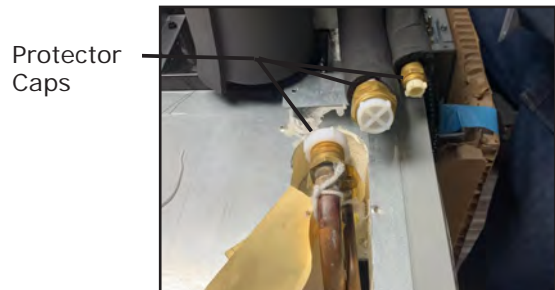
If necessary, carefully wipe coupling seats and threaded surfaces with a clean cloth to prevent the inclusion of dirt or any foreign material in the system.

Lubricate male half diaphragm and synthetic rubber seal with refrigerant oil. Thread the coupling halves together by hand to ensure proper mating of threads. Use proper size wrenches (on coupling body hex and on union nut) and tighten until coupling bodies "bottom" or a definite resistance is felt.

Step 1:

Remove protector caps and plugs from the line couplings, Apply refrigerant oil to the entire surface of diaphragm, o-ring and threaded area of male coupling assembly.

The amount of lubricant used must cover all designated surfaces sufficiently. Ideal application is a small applicator brush saturated with lubricant and applied, liberally.



Apply supplied Oil to Threads, O-rings, and Diaphragm.



Step 2:

Ensure that the coupling halves are held in proper alignment with each other prior to starting the threads of the female coupling nut onto the male half. The coupling end faces should be parallel with each other and visually in line with each other, this allows the female coupling nut to easily be threaded on by hand for the initial 2-3 rotations of the union nut. These initial rotations will bring the diaphragm in contact and a sharp increase in torque will be felt when they come into contact and start to pierce the diaphragms on each coupling half.

If the nut will not start by hand, adjust the position of the line set to ensure proper coupling alignment and eliminate/minimize all side load force on the coupling during assembly.

Step 3:

Using appropriate size wrenches, reference table below for the female coupling body and female union nut, tighten the female union nut, according to the torque specs below, while preventing rotation of the female body with respect to the male half. The nut should be tightened until a definite increase in resistance, metal to metal contact occurs, is felt (at this point, the nut will have covered most of the threads on the male body). It is important to ensure the male and female coupling bodies **DO NOT ROTATE** during any portion of the wrench installation.

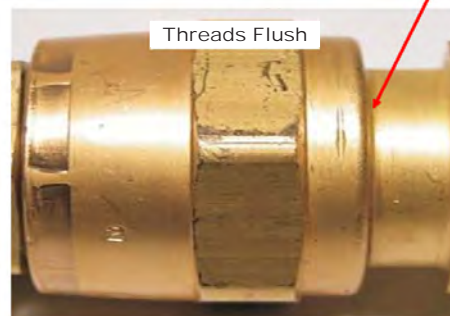


Coupling	Hex Wrench Size
$\frac{3}{8}$ in. Male	$\frac{3}{4}$ in.
$\frac{3}{8}$ in. Female	$\frac{13}{16}$ in.
$\frac{5}{8}$ in. Male	1 $\frac{1}{16}$ in.
$\frac{5}{8}$ in. Female	1 $\frac{5}{16}$ in.

Coupling Size	Foot Pounds (Ft. Lbs.)
$\frac{3}{8}$ in.	10-12
$\frac{5}{8}$ in.	35-45

IMPORTANT!

Tighten swivel fitting until the fitting has significant resistance (fittings bottoming out). Apply $\frac{1}{4}$ turn past the resistance. Ensure no threads are visible.

**Step 4:**

Using a permanent marker or scribe, mark a line lengthwise from the female coupling union nut to either the bulkhead or female coupling body. Then tighten an additional one (1) wrench flat (60°); refer to the marking on the union nut to confirm the rotation has occurred. The final rotation is necessary to ensure the formation of the leak-proof seal, between the male and female couplings.

Correctly Tightened Coupling

The swivel nut end contains one diaphragm in the center post. The male fitting contains the knife blades and its own diaphragm.

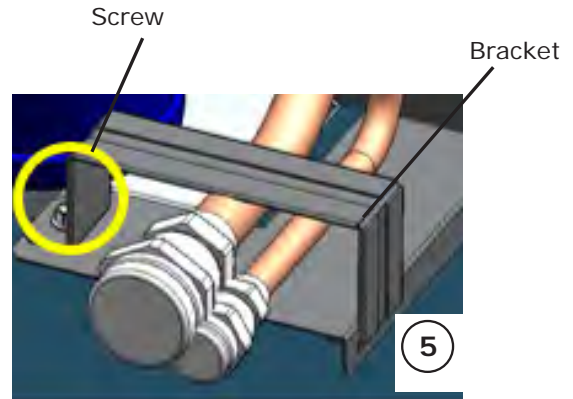


Fully Open



Fully Open

5. Replace bracket. Ensure insulation is on the refrigeration lines before installing bracket. Bracket is used to help keep the tubing aligned.



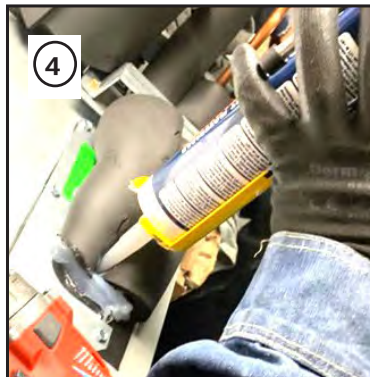
Top Piping Line Connection

(Continued from Page 2-4)

4. Insert foam filler into slot. Ensure there are no gaps around foam filler. Place silicone around the tubing.



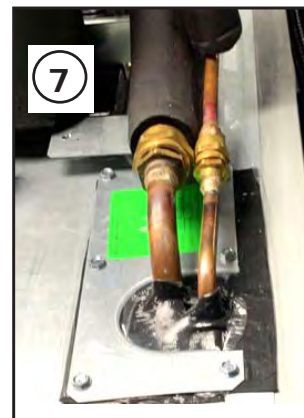
Foam Filler



6. Place the butyl tape over the slot.



7. Replace the cover plate. Take care to ensure that cover plate is not in contact with tubing.



Insulate Refrigerant Lines

Check that all suction lines are adequately covered with insulation from case penetration to compressor, including suction service valves, and accumulator on low temp units, as some insulation may have been dislodged during shipping and installation.

Suction lines are insulated to prevent condensation; extra insulation is provided to cover the field connected tubing sections. These exposed sections must be covered with insulation.

Check that all suction lines are adequately covered with insulation from case penetration to compressor; including suction service valves as some insulation may have been dislodged during shipping and installation.

Do not locate the tubing above the electrical box in order to prevent condensation from dripping onto electrical components.

8. Use the insulated pre-slit on the 5/8" tubing, and on the 3/8" tubing, use the insulation already installed on the condensing unit.
9. Place silicone sealant around the tubing.

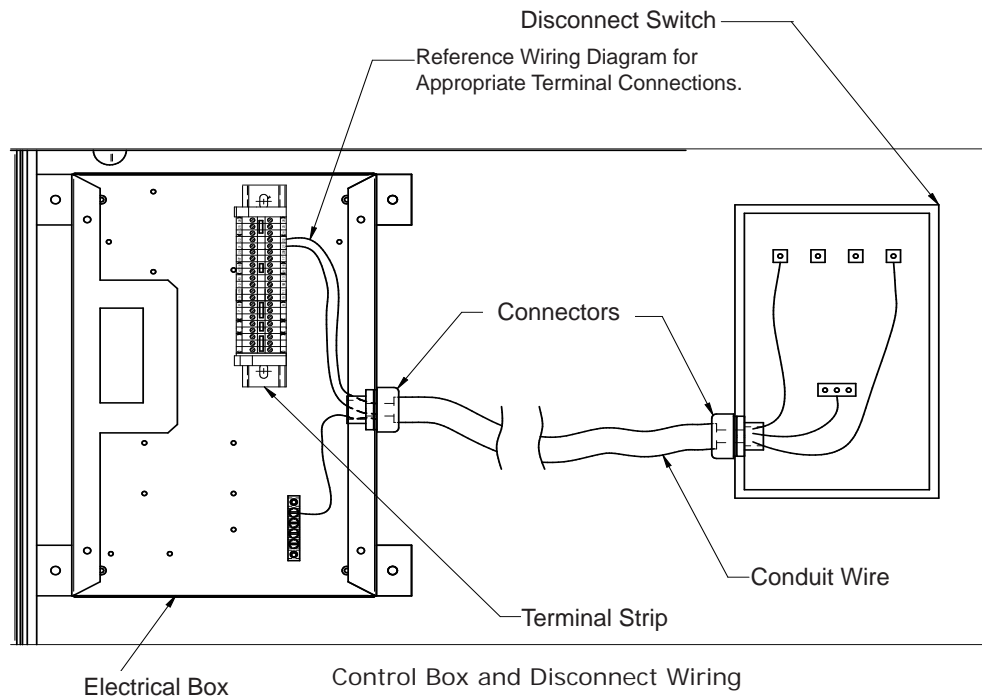
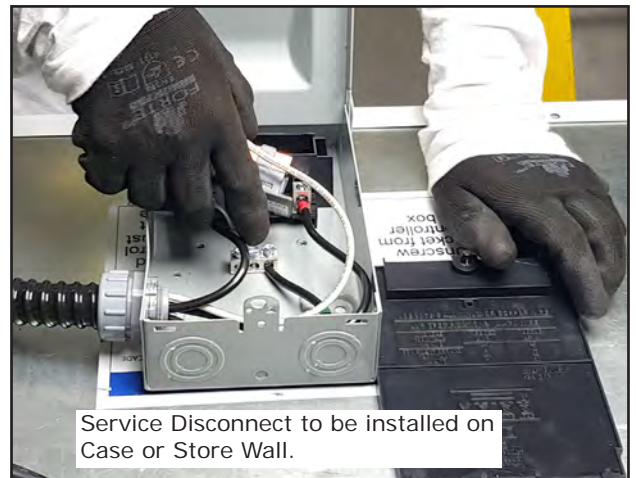


Field Wiring

All wiring must be in compliance with NEC and local codes. For single point electrical connection, circuit must be sized for all components, including the case components, condensing unit, and heated condensate pan. Circuit size for standard condensing units is shown on the data sheets. Supplemental branch circuit protection may be provided, as shown on the wiring diagram of the specific model. Actual ampere draw may be less than specified. **Field wiring lands on the line side of the service disconnect.**

Terminal blocks are used for field connection of the 120V single phase and 208/230V single phase power supply. The terminal blocks are located inside the electrical box on top of the case. **The wiring diagram and circuit requirements are provided on the Technical Data Sheets provided with the case and condensing unit.**

A disconnect switch may be provided as an option. When this switch is off, some electrical terminals in the case wireway may be energized. The wiring connection for the condensing unit is provided with 5-ft leads and ¼ inch terminals. The conduit must be connected to the condensing unit electrical box, and the leads are connected to the condensing unit input terminals.



2-10 REFRIGERATION/ELECTRICAL/CONTROLLER

Installing Pump & Collection Pan Kit

The bottom drain for defrost water from the evaporator coil of the Freedom case is connected to an evacuation pump which uses plastic drain tubing to pump the water to the condensate pan on top of the case.

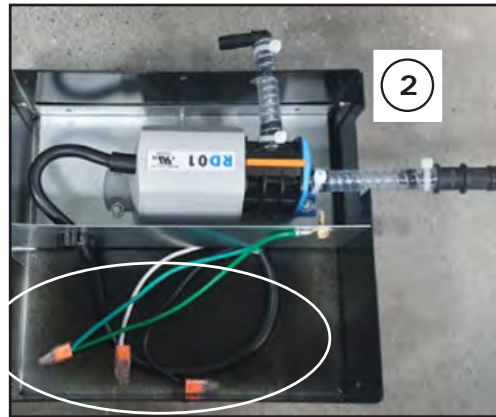
Evaporation pan must be installed level and plugged into electrical receptacle. The tubing should be inspected through its entire length to ensure that it has not been cut, kinked, obstructed, or damaged during shipping and installation.



Pump Kit
(sits underneath case)

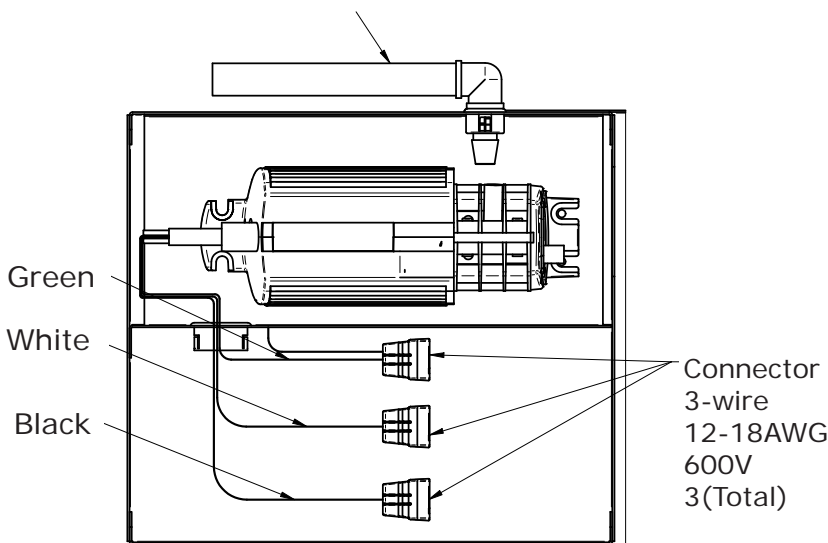
Steps:

1. Remove cover plates.
2. Connect case wire whip to pump.



Connect Pump Electrical to Case Wire Whip

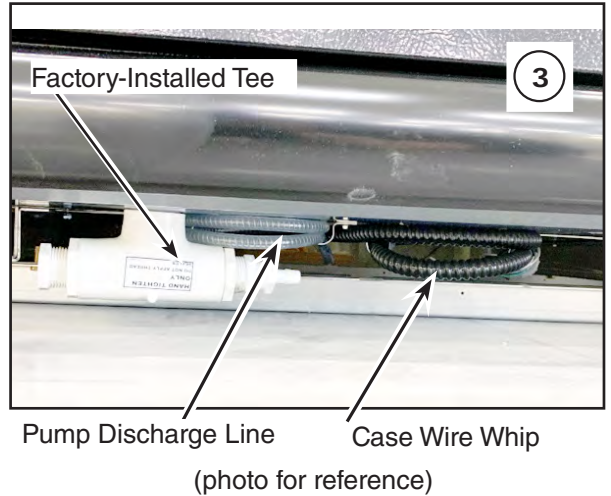
Field-Installed Hose



Wiring for Pump

Installing Pump Kit
(Continued)

- 3. Replace pump cover plate. Identify Pump discharge line and factory-installed tee (underneath case).



(photo for reference)

- 4. Attach discharge line tubing to coupling.

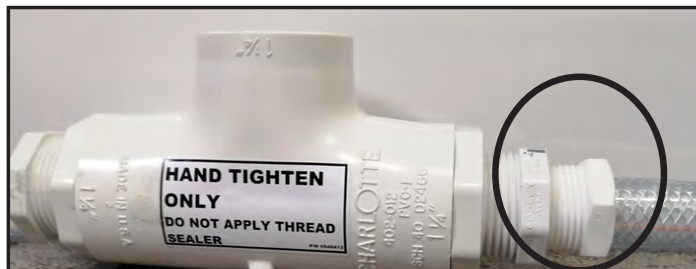


Make sure to insert the drain tubing onto the coupling fully and correctly.

- 5. Connect opposite end of drain hose to factory-installed tee. See examples on the next page.

IMPORTANT!

Liquid soap or Windex can be used to help fit the tube fully onto both fittings.



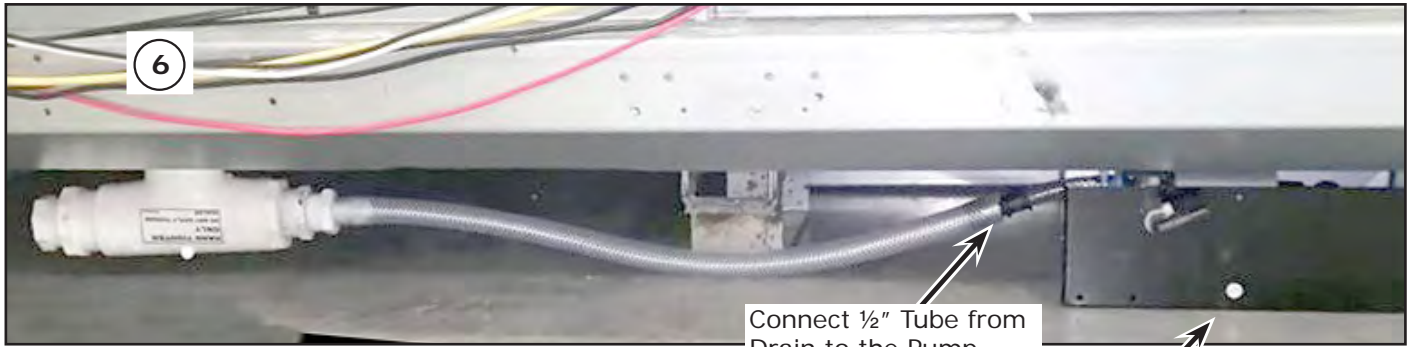
Correct



(Drain hose not fully inserted)

Incorrect

6. Place pump under case.



Pump Assembly Installed
3-door case layout shown (RFLN3)

Pump Assembly placed
on Floor under Case



Pump Assembly
2 and 4-door layout shown

NOTE:

Pump is to be located to the left on 2 and 4-door cases. 1/2" hose loops around the back of the drain and connects into the pump fitting as shown in the photo at left.

For 3 and 5-door cases, the pump is located on the right side of the drain tee as shown in the photo above.

7. Connect tubing to condensate pan as shown below.

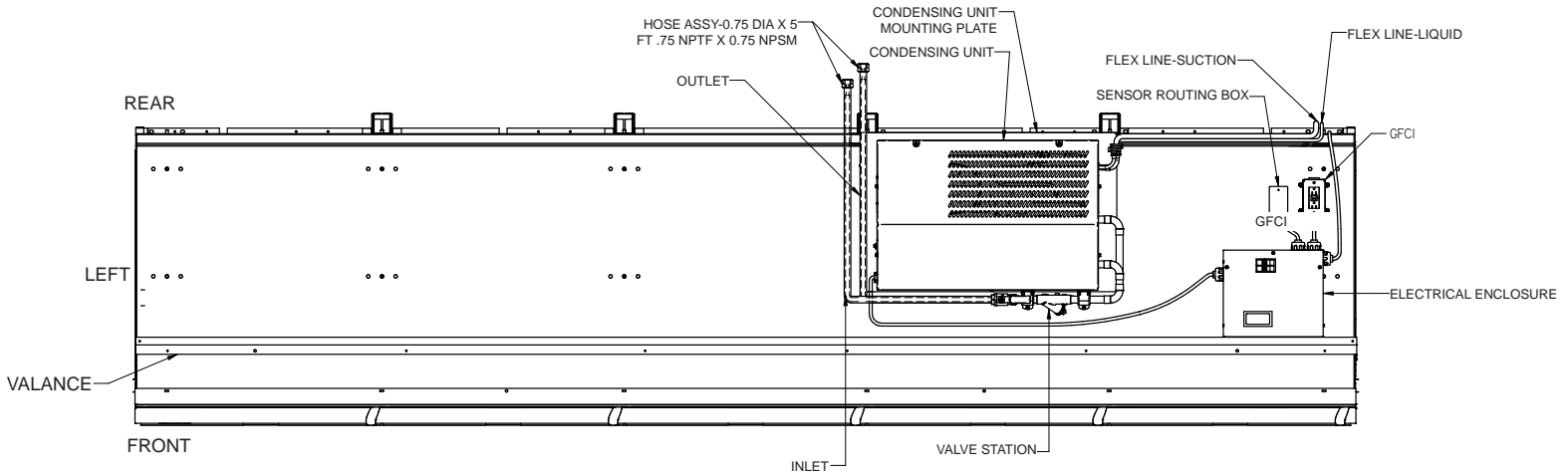


Condensate Pan
(Installed on top of case)

Installation of Water Lines
(For water-cooled condensing units)

3/4" male National Pipe Thread (NPT) connections are provided at the top of the case for water line connections. Hoses are marked with inlet and outlet. Optional flow control valves may be supplied.

Refer to the technical data sheets for flowrate, pressure drop, and heat of rejection. Water supply must have adequate corrosion inhibitors and freeze protection. Refer to Document 0525699 for propylene glycol guidelines.



⚠ CAUTION

» Blocked drain lines will cause water to back up in the case and spill onto the floor, causing a slip hazard.

Hussmann recommends using DOWFROST™ inhibited propylene glycol.

Pre-diluted solutions (35% inhibited propylene glycol) of DOWFROST™ are available from Dow. The ingredients in DOWFROST™ have been approved by the FDA and are listed as chemically acceptable by USDA.

The Dow Chemical Company
Midland, MI 48674
1-800-447-4369
www.dow.com

Requirements on system fluid:
Pre-mixed 35% inhibited propylene glycol

Typical Fluid Properties
Solution Composition is 35% inhibited propylene glycol by weight

pH of Solution 8.0 – 10.0
Specific Gravity (at 60°F) 1.033
Viscosity (at 20°F) 14.2 cP
Boiling Point of Solution 217°F
Freezing Point of Solution 2°F
Refractive Index (at 72°F) 1.3733

System Balancing
Balancing may be required to provide adequate coolant flow to each circuit in order to maintain the required waterflow. Balancing is achieved through the setting of balance valves located throughout the system piping.

The installation contractor must consult and be familiar with the manufacturer's Material Safety Data Sheets (MSDS) before handling any secondary fluid. The MSDS contains proper disposal and safety methods.

Automatic Balancing Valves

Case may be equipped with automatic balancing valves. The case will maintain the correct flow rate. The cooling system pressure must be between 5 to 30 psid for proper operation of the automatic balancing valves.

Pre-Installation System Cleaning

Dow recommends the new piping system be cleaned using a 1-2% solution of trisodium phosphate (TSP), or equivalent cleaner and distilled or deionized water to remove grease, mill scale, or other residues from construction.

Repeat this process if necessary until the drained solution is clear and free from visible debris. The system should then be drained and flushed again using distilled or deionized water.

Hussmann only recommends distilled or deionized water for system flushing with 2% TSP. Dry nitrogen can be used for the initial pressure test, (60 to 75 psi), hold for three hours.

NOTICE

Use only distilled or de-ionized water for flushing with 2 percent TSP. Use a pre-mixed inhibited glycol solution. If the mixing is to be done on site, use only distilled or de-ionized water. Do not use tap water.

ELECTRONIC CONTROLLER

Safety controls are installed on Freedom condensing units to protect the compressor from various errors or adverse conditions:

- High pressure safety control
- Low pressure safety control
- Compressor discharge temperature sensor

Air cooled condensing units with Electronic Unit Controller:

On condensing units that are equipped with the Emerson Electronic Unit Controller, the pressure controls and discharge line alarm are incorporated into the controller on the condensing unit.

The high pressure cut-out is a non-adjustable pressure switch with a cut-out of 440 psig. The low pressure control and compressor discharge temperature setpoint are programmed into the electronic unit controller on the condensing unit. The compressor discharge temperature is set to cut out at 225°F. The low pressure control is set to cut out at 15 psig, and cut in at 25 psig. For low temp units, the control is set to cut out at 5 psig and cut in at 15 psig.

Air cooled condensing units without Electronic Unit Controller:

On Freedom cases that have condensing units that are not equipped with the Emerson Electronic Unit Controller, including water cooled units, the high and low pressure safety controls are connected to terminals 18 and 19 of the XR75 case controller. Air cooled unit have a discharge line sensor, which is connected to terminals 21 and 23. The case controller parameters are set at the factory to incorporate the controls. The pressure controls are not adjustable. The discharge safety is set in the case controller to cut out at 230°F.

These controls must be connected after installation of the condensing unit. Harnesses are provided and marked to show the connections (see wiring diagram on next page).

The parameters in the Dixell XR75 are set up in the factory to enable the pressure control functionality. The parameters affecting this control are shown in the diagram below.

Parameter	Description	Value
P4P	Fourth probe presence	yes
AP2	Probe selection for condenser temperature alarm	P4
AU2	Condenser high temperature alarm	220
AH2	Differ for condenser temperature alarm recovery	45
Ad2	Condenser temperature alarm delay	15
dA2	Delay of condenser temperature alarm at startup	0
AC2	Compressor off for condenser high temperature alarm	yes
tbA	Alarm relay switch off by pushing a key	yes
i1F	Digital input 1 configuration	dor
i2P	Digital input 2 polarity	OP
i2F	Digital input 2 configuration	PAL
did	Digital input 2 alarm delay	30
nPS	Number of activations of pressure switch	3

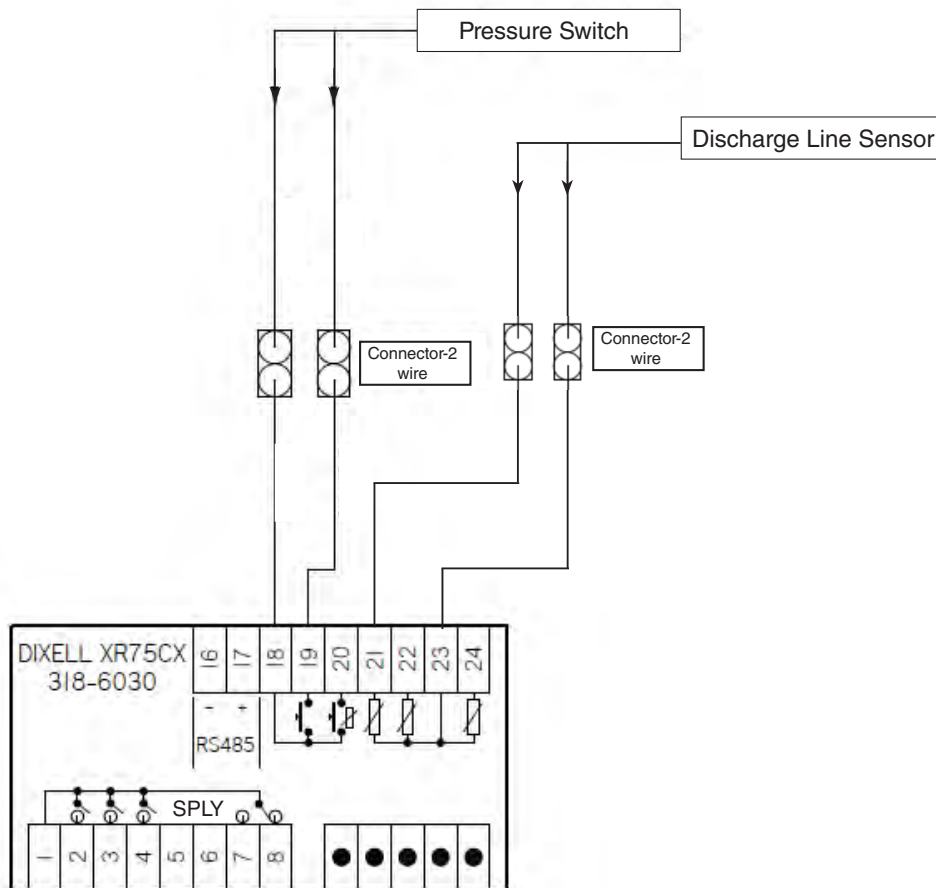
The high pressure switch will shut off the compressor if the high side pressure exceeds 440 psig. The control settings allow the compressor to re-start automatically up to two times, but if the high pressure switch trips 3 times within a 30 minute period the Dixell controller must be manually re-set by turning off the control circuit and then back on again. This is an indication that field support is required to diagnose the problem causing the high pressure condition. The alarm may be silenced by pressing any of the buttons on the front of the controller display.

Possible causes of high/low pressure alarm:

- Excessive refrigerant
- Lack of refrigerant
- Lack of air flow into the condenser
- Superheat too high
- High temperatures at startup
- Service valves closed

High and low pressure alarm will show up as the same alarm signal on the controller display. If this alarm condition exists, the unit must be serviced by a qualified technician.

Discharge temperature alarm is an indication that the condenser is blocked and needs to be cleaned, or remove blockage (such as balloons, paper, etc). Refer to supplemental manuals and wiring diagrams for special options and other controllers.



CONTROLLER OPERATION

Follow the tables to use the commands. The keypad display is located on the front of the merchandiser.



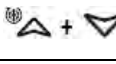


	Switches the device ON and OFF, if oNF = oFF
	Switches the light ON and OFF, if oA1 = Lig
	Locks/Unlocks the keyboard
SET + 	To enter programming mode
SET + 	Returns to room temperature display

Table 4-1 - XR75CX Front Panel Keys and Functions











Key	Function
SET	Press to display target setpoint, to select a parameter in programming mode, or to confirm an operation
	Starts a manual defrost
	Press the UP arrow to see the MAX temperature, to browse the parameter codes in programming mode, or to increase the currently displayed temperature value.
	Press the DOWN arrow to see the MIN temperature, to browse the parameter codes in programming mode, or to decrease the currently displayed temperature value.

Table 4-1 - XR75CX Front Panel Keys and Functions

Follow the LED commands to operate and control the case's lighting.

LED	Mode	Function
	ON	Compressor enabled
	Flashing	Anti-short cycle delay enabled
	ON	Defrost enabled
	Flashing	Drip time in progress
	ON	Fans enabled
	Flashing	Fans delay after defrost in progress.
	ON	An alarm is occurring

How to see the setpoint:

1. Push and immediately release the SET key. The display will show the setpoint value.
2. Push and immediately release the SET key or wait for 5 seconds to display the present value again.

How to change the setpoint:

The controller is shipped from the factory with Frozen Food settings. To modify the temperature for Ice Cream application, follow these instructions:

1. Push and hold the SET key for more than 2 seconds to change the setpoint value.
2. The value of the setpoint will be displayed and the °C or °F LED starts blinking.
3. To change the setpoint value push the UP or DOWN arrows within 10 seconds.
4. To memorize the new setpoint value, push the SET key again or wait 10 seconds.

How to start a manual defrost:

Push and hold the DEF key for more than 2 seconds and a manual defrost will start.

How to lock the keyboard:

1. Keep the UP + DOWN arrow keys pressed for more than 3 seconds.
2. The PoF message will be displayed and the keyboard will be locked. At this point it will be possible to see the setpoint of the MAX or Min temperature stored only.
3. If a key is pressed for more than 3 seconds the PoF message will be displayed.

How to unlock the keyboard:

Press the UP and DOWN arrow keys together for more than 3 seconds until the Pon message displays.

Alarms:

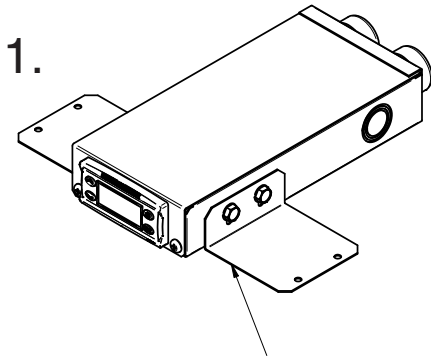
- P1 Discharge temperature probe failure
- P2 Defrost termination probe failure
- HA Max temperature alarm
- LA Min temperature alarm

How to set defrost start time

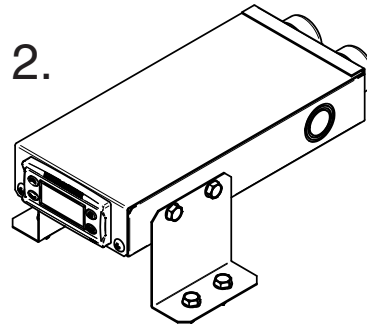
The defrost will occur 24 hours after the controller is first powered up, then every 24 hours after that.

CONTROLLER LOCATION

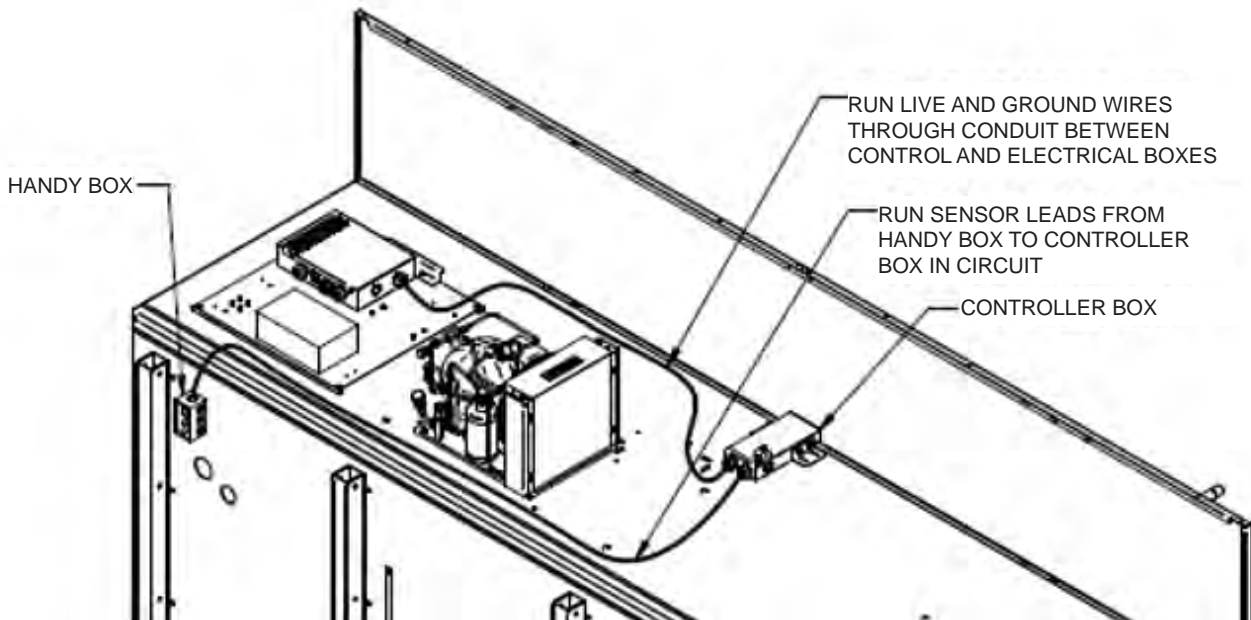
Mount control display as shown in the illustrations below.



Control display box is mounted to the top of case to limit height for transit into store.



Remove side brackets after shipment. Mount control display to lineup with cutout in fascia panel.

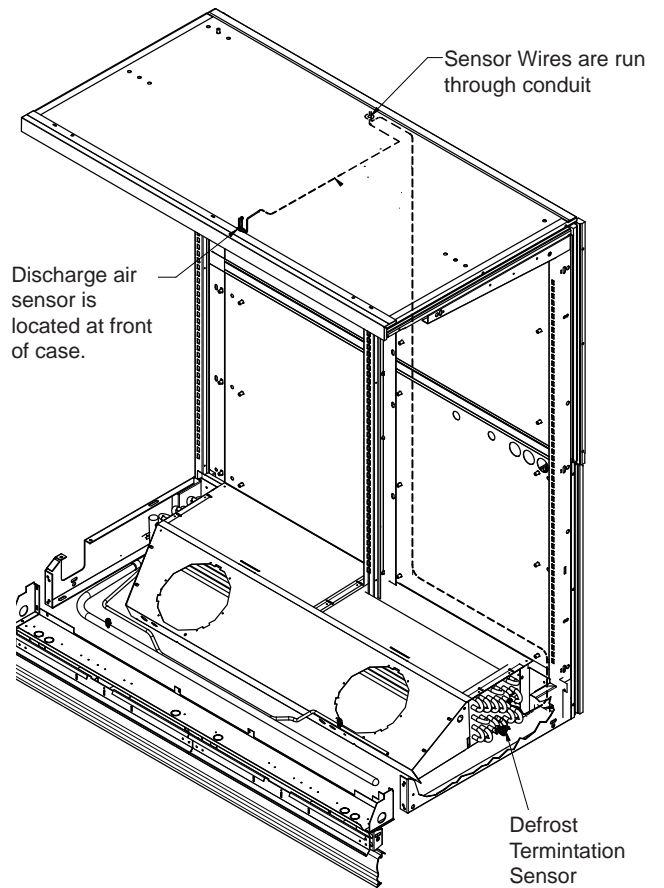
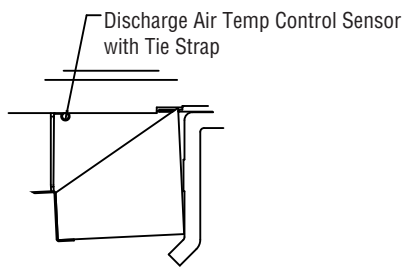
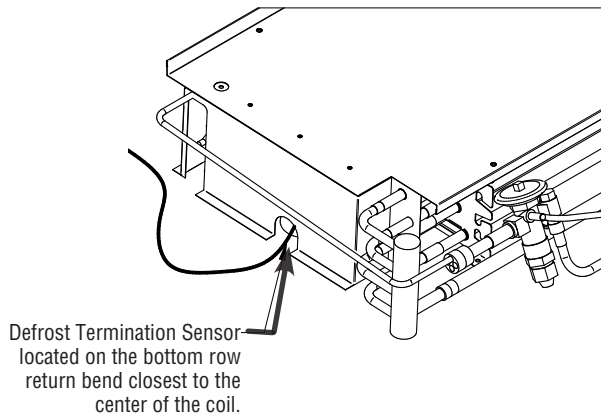
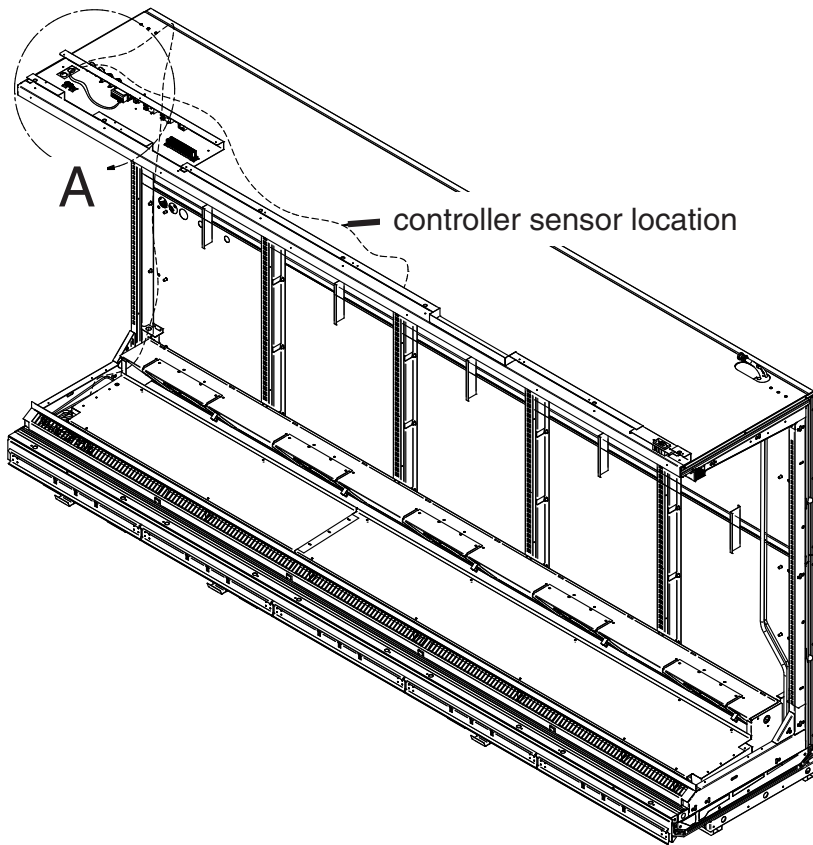


⚠ WARNING

- » Product will be degraded and may spoil if allowed to sit in a non-refrigerated area.
- » The OFF Position does not disconnect line voltage to the input terminal blocks.

SENSOR LOCATION

NOTE:
Do NOT load product until
AFTER merchandiser operates
for 24 hours and reaches desired
operating temperature.

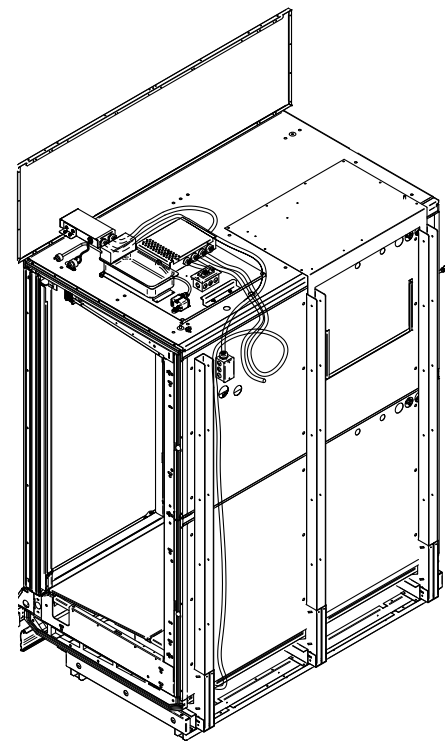
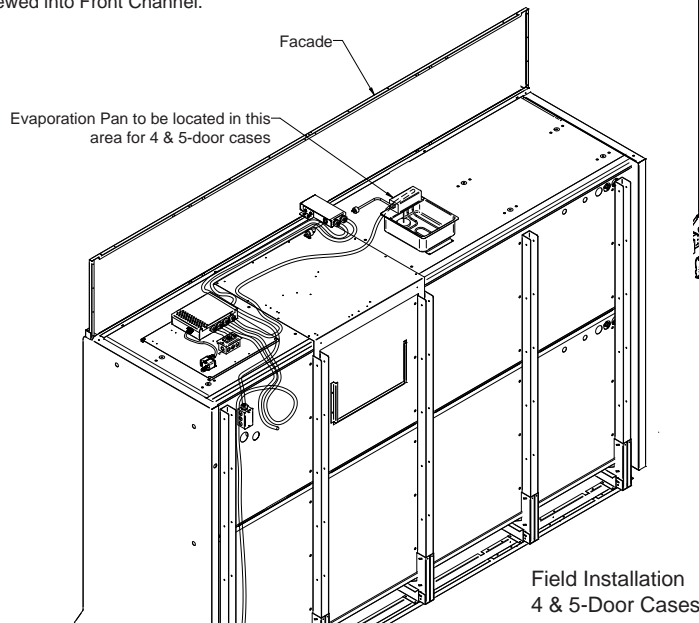
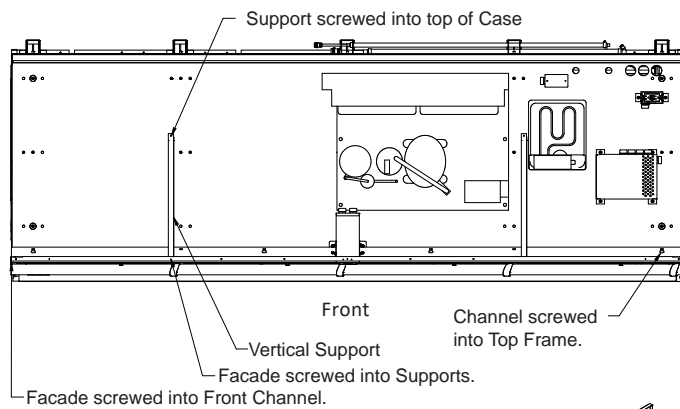
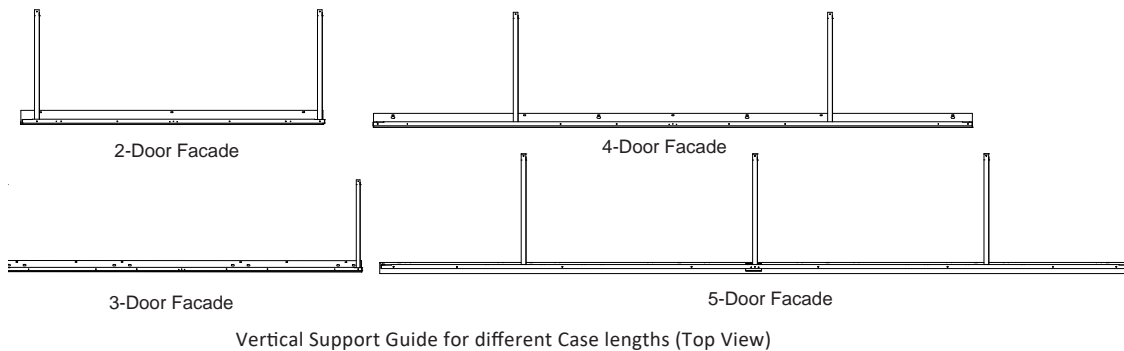
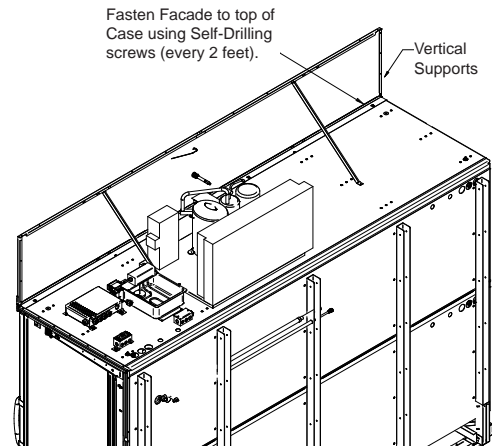


NOTES:

Install Facade

Install facades on case lineup using supplied hardware. Note location(s) of controller box in facade cutout for the various case lengths. Attach with brackets and screws.

Notice that facade supports will vary with the number of doors, or length, of the merchandiser. Position the facade centered on case length and flush with the fascia as shown below.



3-2 FACADE AND SPLASHGUARD

Installing Splashguard Brackets

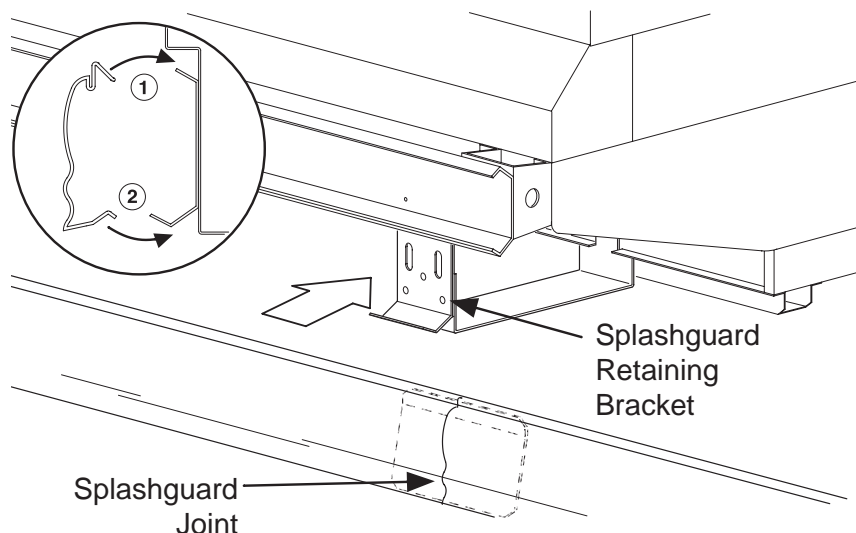
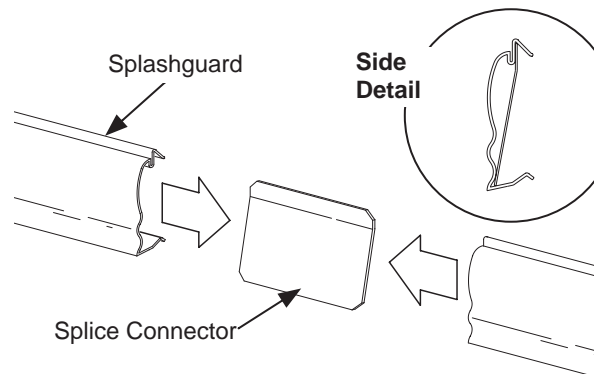
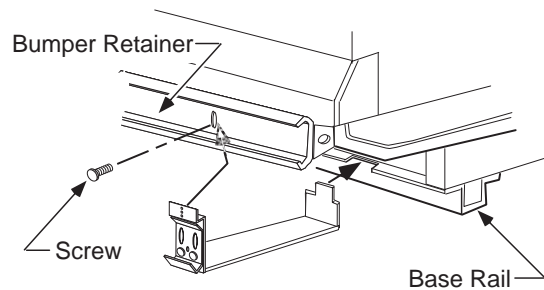
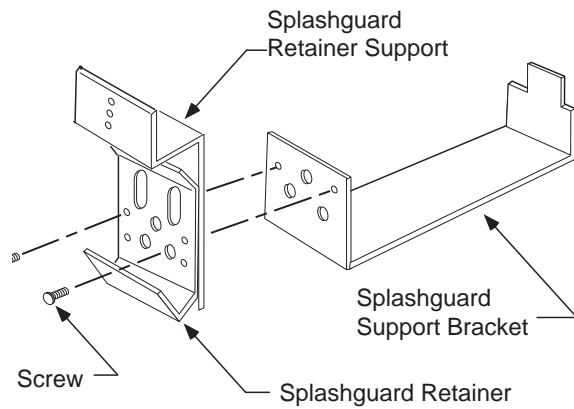
1. Attach splashguard retainer and splashguard retainer support to splashguard support bracket using two screws per bracket.
2. **INSTALL SPLASHGUARD SUPPORT BRACKETS BEFORE PIPING CASE.** The leveling brackets have a maximum extension of one (1) inch (25 mm) for uneven floors.

DO NOT PLACE SHIMS UNDER SPLASHGUARD BRACKETS.

Installing Splashguards

The splashguard is shipped inside each merchandiser. **AFTER** merchandisers have been leveled and joined, and all drip piping, electrical and refrigeration work has been completed, re-install the front color panel, then install the splashguards.

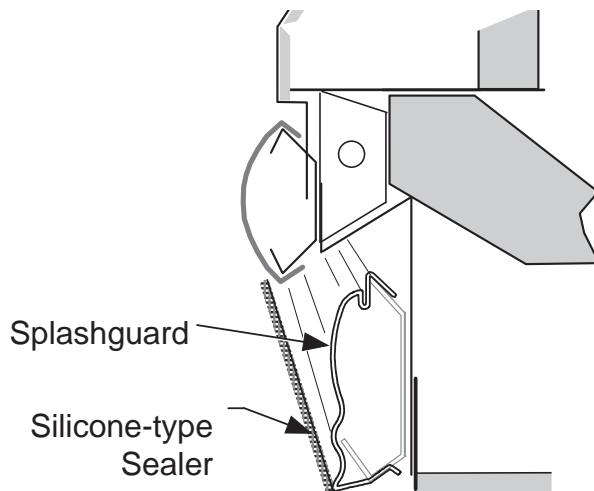
First, position top of splashguard over the top edge of the bracket; second, push the lower edge of the splashguard toward the bottom of the bracket until it snaps into place. Splashguards are joined with galvanized metal



Sealing Splashguard to Floor

IF REQUIRED by local sanitation codes, or if desired by the customer, plastic splashguards may be sealed to the floor using silicone type sealer. The amount needed will depend on how much the floor is out of level.

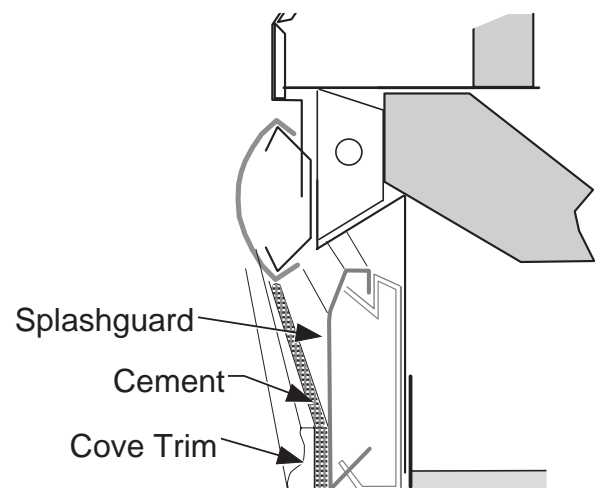
- Remove all dirt, wax and grease from the area of the splashguard where adhesion will be necessary. This is to ensure a good, secure installation.
- Apply a good silicone type sealer along the bottom of the splashguard. Sealant must be removed and replaced when servicing.



OPTIONAL stainless steel splashguards may be sealed to the floor using a vinyl cove base trim. The size of trim needed will depend on how much the floor is out of level.

To install the trim to the splashguard:

- Remove all dirt, wax and grease from the area of the splashguard where adhesion will be necessary. This is to ensure a good and secure installation.
- Apply a good contact cement to the cove trim and allow proper drying time according to the directions supplied with the cement.
- Install the trim to the splashguard so that it is lying flush with the floor. **DO NOT SEAL THE TRIM TO THE FLOOR.**
- **If required by local health codes** Cove Trim may be sealed to the floor using a silicone type sealer. Sealant must be removed and replaced when servicing.



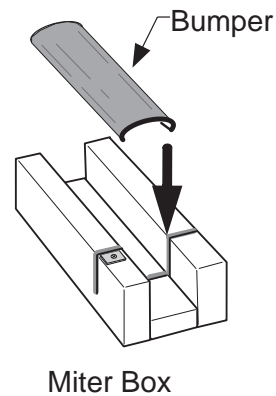
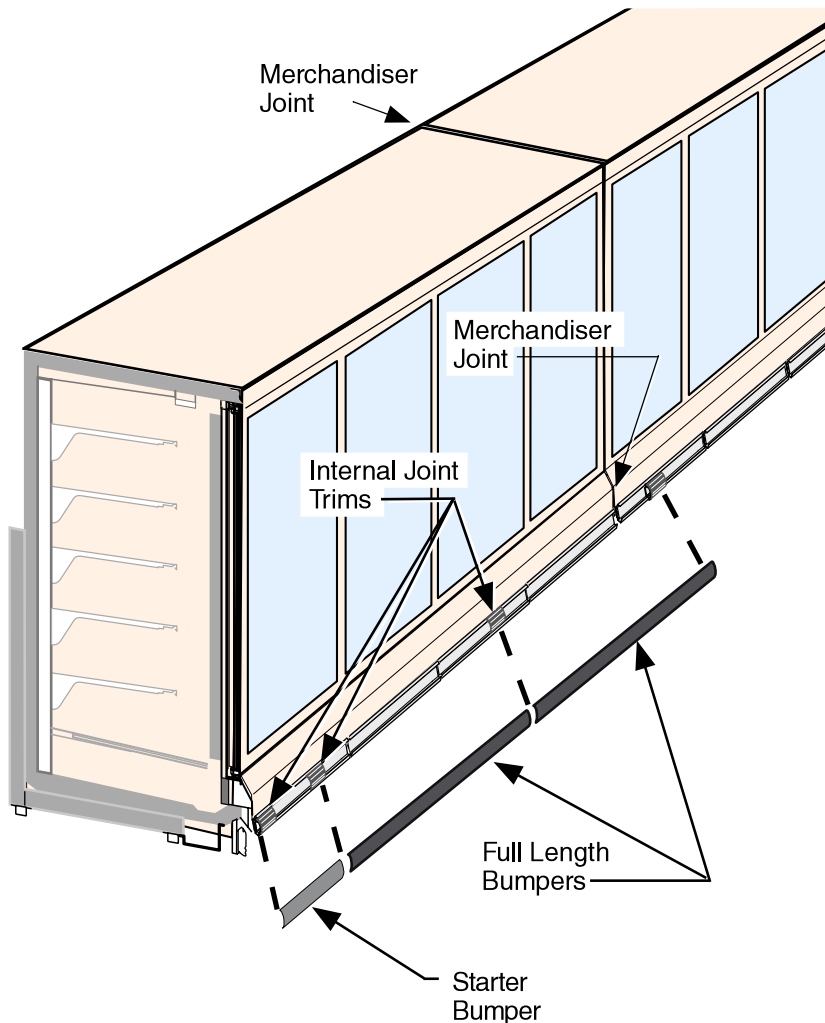
INSTALLING BUMPERS

Offsetting the bumpers and top rails helps to disguise the joint locations, giving the lineup a smoother look. Begin at the left end of the line-up. A starter bumper is factory-installed with end kits. Insert the internal joint trim, then add the full-length bumper.

Align each bumper section with its retainer and push into place, working from the end of the lineup. Install full length bumpers and internal joint trims offset across joints. Make sure that no gaps exist between sections. Continue installing bumpers the length of the line up.

Do NOT install the last bumper sections at this time. These sections will be installed in the last step. Once all except the last section of bumper have been installed, refrigerate the case lineup for at least six (6) hours. The last sections of bumper should be kept inside a refrigerated case or cooler during this time to allow the bumpers to contract.

Before installing the last full-length section, measure the remaining space. Use a miter box and fine-tooth saw to cut last bumper to length. Install the last section. Remove protective film from bumpers once installation is complete. Optional end bumpers are factory-installed.



START UP / OPERATION

ATTENTION

Merchandiser must operate for 24 hours before loading product!

Regularly check merchandiser temperatures.

Do not break the cold chain. Keep products in cooler or freezer before loading into merchandiser.

Medium temperature merchandisers are designed for loading **ONLY** pre-chilled products.

Low temperature merchandisers are designed for loading **ONLY** frozen products.



Expansion Valve Adjustment

Expansion valves on Freedom cases are pre-adjusted from the factory, but some adjustment may be necessary to adjust for specific store conditions. Before attempting to adjust valves, make sure the evaporator is either clear or only lightly covered with frost, and that the merchandiser is within 10 deg F (6.5 deg C) of its expected operating temperature. Adjust valves as follows:

Method 1 (recommended): Attach a sensing probe (either thermocouple or thermistor) to the evaporator outlet, under the clamp holding the expansion valve bulb. Attach a pressure probe to the access valve on the suction line. Measure superheat by subtracting the saturation temperature at the measured pressure from the measured outlet temperature. Method 2: Attach two sensing probes.

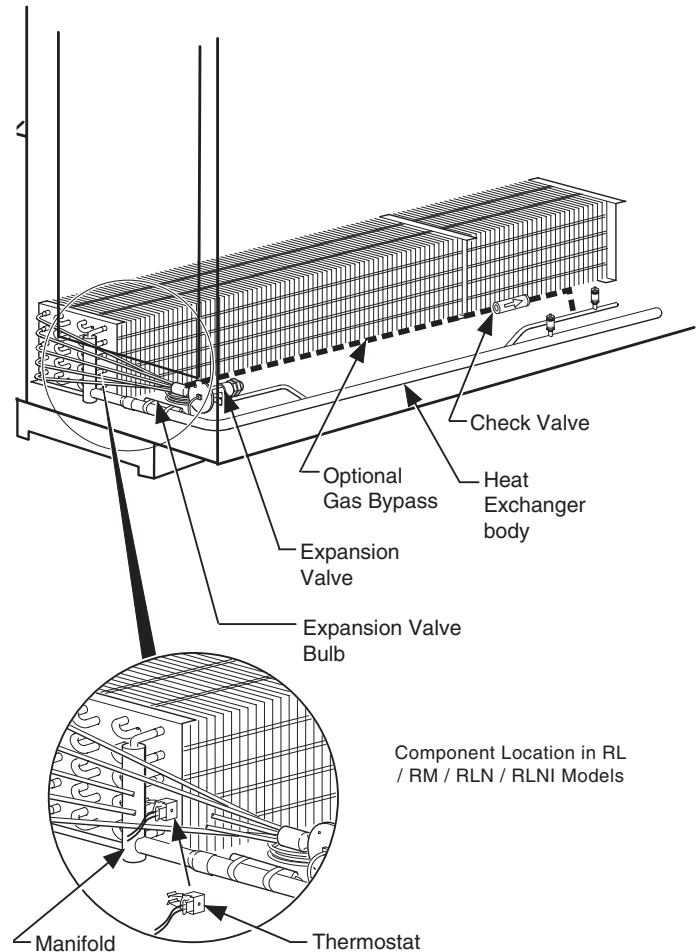
Note:

When using high glide refrigerants (e.g., R-407A, R-448A), use the evaporator pressure and subtract the dew point from the coil outlet refrigerant temperature to measure the superheat level.

Attach two sensing probes (either thermocouple or thermistor) to the evaporator. Position one under the clamp holding the expansion valve bulb; securely tape the other to the coil inlet line.

Some "hunting" of the expansion valve is normal. The valve should be adjusted so that during the hunting THE GREATEST DIFFERENCE BETWEEN THE TWO PROBES IS 3–5 deg F (1.7–2.8 deg C). With this adjustment, during a portion of the hunting the temperature difference between the probes will be less than 3 deg F (1.7 deg C) and at times 0.

Make adjustments of no more than $\frac{1}{4}$ turn for Balanced Port TEV and $\frac{1}{2}$ turn at a time for other valve models. Wait at least 15 minutes before rechecking the probe temperature or making further adjustments.



⚠ WARNING

» Start up should be performed only by a qualified technician.

Prior to start up checklist

- Is the case connected to a power supply as specified on the nameplate?
- Is the power on at the breaker panel?
- Are the doors properly torqued? Are they self closing? Check each door from a fully open position and from about a 1-inch open positions.
- Are the evaporator fans plugged in? Do they rotate freely? (The fans can be inspected by lifting the deck pans in the bottom of the cases. Manually rotate each fan to confirm it is free and visually inspect to confirm that each fan is plugged into its receptacle.)
- Verify that refrigeration line shutoff valves are in the back-seated (open) position.

For water-cooled condensing units:

- Verify that water flow valves are open and water is flowing before starting up case.
- Verify that no air is trapped in water lines. Purge valves must be located at the highest location to allow for purging of trapped air.
- Verify that water connections are tight and not leaking while water system is flowing.

Start up checklist

- Once the case is considered ready for start up, move the main switch on the electrical box to the “on” position.

This switch is located on the front of the electrical box, on the top of the case. This toggle switch turns on the power to the condensing unit, and all case electrical components, including anti-sweat heaters, lights and fans.

- Check the reading on the display; it should be displaying the case temperature. The display is located in the center of the front of the facade above the doors. The displayed temperature will show the merchandiser’s discharge air temperature.
- Set high and low pressure controls according to the merchandiser’s data sheet.
- Listen for any unusual sounds or events:
For example: evaporator fan blade interference, compressor trip on overload, or high head due to excessive ambient temperature, circuit breaker trip, etc.
- Check the fan at each door to ensure all fans are running. The discharge air output at the top inside front of the case should be relatively even across the length of the case (honeycomb area).

Excessive ambient conditions may cause condensation and therefore sweating of doors.

Facility operators should monitor doors and floor conditions to ensure safety of persons.

Defrost

Defrost will occur 12 hours after switching the disconnect switch to the ON position. Defrost can be set to any time desired by switching the unit off, then back on again, 12 hours before the desired defrost time. "Df" is displayed on the display during defrost. It will show the discharge air temperature when the evaporator coil has returned back to stabilized operating temperature.

During defrost, the condensate pump will pump defrost water to the condensate pan located at the top of the merchandiser. On low temperature cases, the fans shut off during defrost, and electric defrost heaters energize to melt the frost off the evaporator coil. Defrost terminates when the evaporator coil reaches approximately 48°F. On medium temperature cases, the fans runs continuously, there are no defrost heaters, and defrost is time-terminated after 60 minutes.

Checklist after 12 hour run time

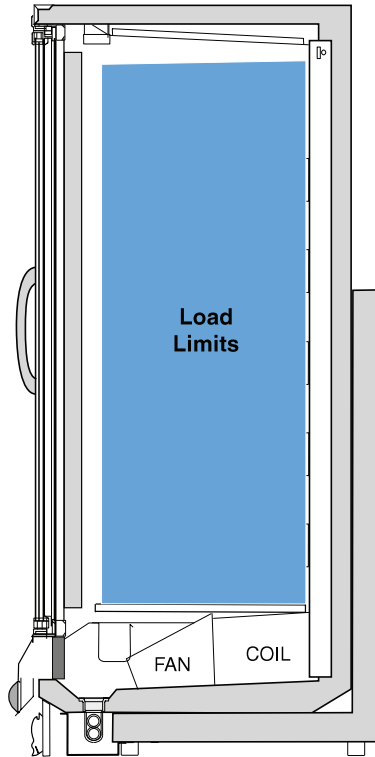
- Check case temperature.
- For water-cooled units, check the water outlet temperature from each condensing unit. Water outlet temperature should be less than 10° above water inlet temperature.
- Verify that the fans are running. (The fans will be off if the case is in a defrost cycle. They will come back on after the completion of this cycle.)
- Initiate a defrost cycle and ensure the heaters are working properly. Check the amp draw at the terminal block, located in the front electrical raceway, just below the right most door of the case.)
- Check the door operation again, to ensure they close properly once the case is down to operating temperature.
- Are all inspection plates and covers properly replaced?
- Inspect for any water accumulation resulting from incorrect or unsealed penetrations where electrical or other lines pass through the case insulated walls.
- Check that the lights come on when the light switch is in the **on** position.
- Check that the condensate pump and condensate pan turns on by pouring a gallon of water into the drain. Condensate pump pumps water to the condensate pan during defrost. Check to ensure there are no leaks. If pump or condensing pan does not energize, GFCI may need to be reset.
- See the merchandiser's Data Sheet Set for refrigerant settings and defrost requirements. Bring merchandisers down to the operating temperatures listed on the data sheet.

**CAUTION**

» Do not store items or flammable materials on top of the unit. Do not walk on case.

Load Limits

Shelf life of perishables will be short if load limit is violated. **AT NO TIME SHOULD MERCHANDISERS BE STOCKED BEYOND THE LOAD LIMITS INDICATED.**



Stocking

Product should NOT be placed in merchandisers until all refrigeration controls have been adjusted and merchandisers are at proper operating temperature.

All shelves and the lower deck are intended to display product. Shelf height is adjustable in one inch increments. Spacing of 12 inches is recommended for most applications. Maximum load per shelf is 170 pounds. Merchandisers may be ordered with optional "L" shaped wire shelves.

Proper rotation of product during stocking is necessary to prevent product loss. Always bring the oldest product to the front and set the newest to the back.

AIR DISCHARGE AND RETURN FLUES MUST REMAIN OPEN AND FREE OF OBSTRUCTION AT ALL TIMES to provide proper refrigeration and air curtain performance. Do not allow product, packages, signs, etc. to block these grilles. Do not use non-approved shelving, baskets, display racks, or any accessory that could hamper air curtain performance.

Do not prop doors open while stocking. And keep the doors closed as much as possible to prevent coil frosting and high merchandiser temperature.

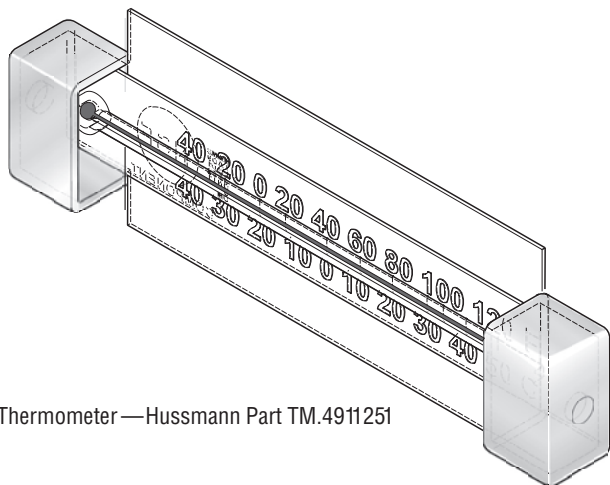
Installing FDA/NSF Required Thermometer

The following pages provide the same information that ships with the thermometer.

This requirement does not apply to display refrigerators intended for bulk produce

Please note that the tape cannot be exposed after installation.

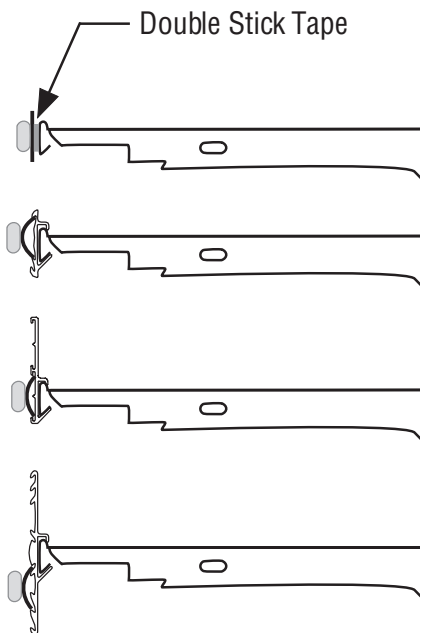
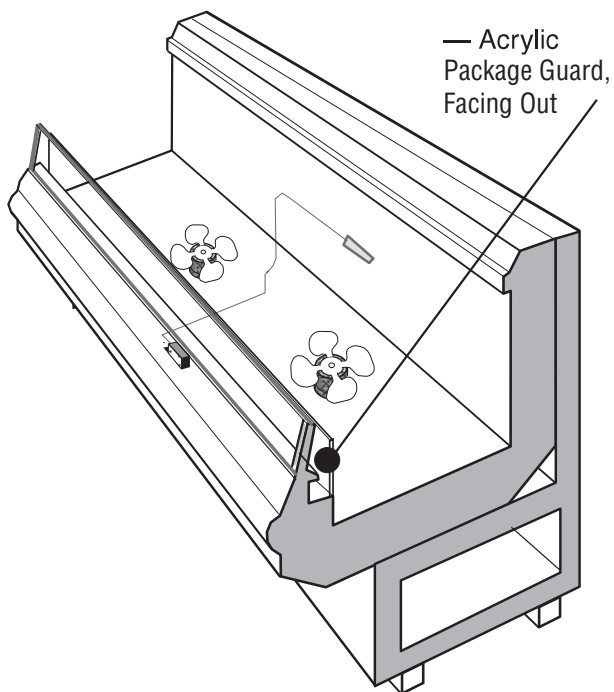
This is an NSF-7 & US FDA Food Code Required Thermometer



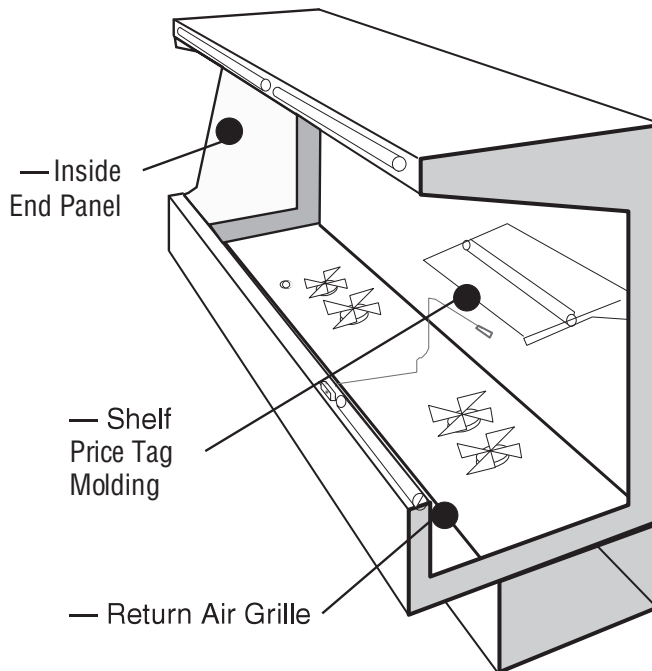
Thermometer—Husmann Part TM.4911251

Husmann Corporation • 12999 St. Charles Rock Road • Bridgeton, MO 63044-2483
 U.S. & Canada 1-800-922-1919 • Mexico 1-800-890-2900 • www.husmann.com
 ©2007 Husmann Corporation

Suggested Mounting Locations in Single Deck Glass Front Impact Merchandisers



Flexible Plastic Fits in Price Tag Moldings



Suggested Mounting Locations in Multi-deck Merchandisers

Important – Please read!

This thermometer is provided in response to United States
Food and Drug Administration (US FDA) Food Code [<http://www.fda.gov/>]
and
National Sanitation Foundation (NSF / ANSI) Standard 7 [<http://www.nsf.org/>]

Each installation will be different depending on how the unit is stocked, shopping patterns in the department and ambient conditions of the store. The suggested locations provided herein are possible locations. It is the responsibility of the purchaser / user to determine the location within the food storage area of the unit that best meets the code requirements above.

The thermometer may need to be moved several times to find the warmest location. Mounting options include flexible plastic for price tag molding application, magnet applied to back of flexible plastic for steel end wall, and double stick tape. Tape must not be exposed after installation.

Questions about either code should be addressed to local agencies or other appropriate officials.

**Keep with merchandiser
or give to store manager.**

DO NOT DESTROY.

NOTES:

MAINTENANCE AND SERVICE

Care and Cleaning

Long life and satisfactory performance of any equipment is dependent upon the care it receives. To ensure long life, proper sanitation and minimum maintenance costs, these merchandisers should be thoroughly cleaned, all debris removed and the interiors washed down, weekly.

Always*Clear™ Glass

Wipe inside of glass with isopropyl alcohol and a soft cloth. Allow surface to dry before closing door. Use of other cleaners or abrasives may damage the Always*Clear surface, and/or void the warranty. Refer to manual that ships with doors.

Exterior Surfaces

The exterior surfaces should be cleaned with a mild detergent and warm water to protect and maintain their attractive finish. **NEVER USE ABRASIVE CLEANSERS OR SCOURING PADS.**

Interior Surfaces

The interior surfaces may be cleaned with most domestic detergents, ammonia based cleaners and sanitizing solutions with no harm to the surface.

Do Not Use:

- Abrasive cleansers and scouring pads, as these will mar the finish.
- Solvent, oil or acidic based cleaners on any interior surfaces.
- Ammonia based cleaners on acrylic surfaces.

⚠ WARNING

- » **Do NOT allow cleaning agent or cloth to contact food product.**
- » **Product will be degraded and may spoil if allowed to sit in a non-refrigerated area.**

Do:

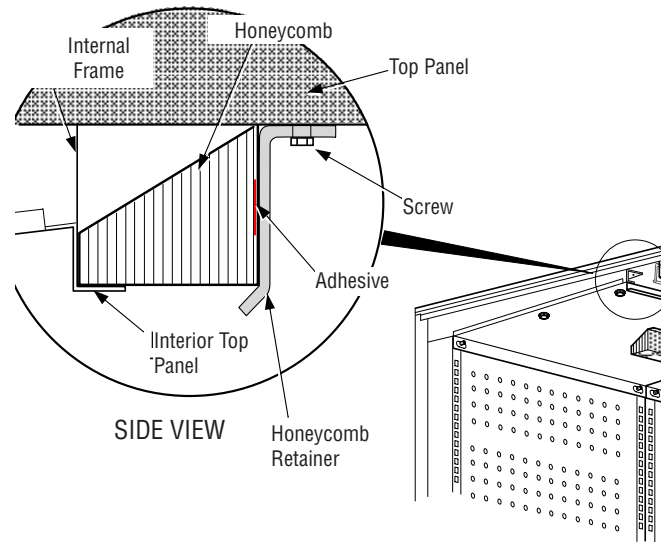
- Remove the product and all loose debris to avoid clogging the waste outlet.
- Store product in a refrigerated area such as a freezer. Remove only as much product as can be taken to the freezer in a timely manner.
- **First turn off refrigeration, then disconnect electrical power.**
- **Before washing, disconnect hose from condensate pan on top of case, and discharge water into a drain.**
- Thoroughly clean all surfaces with soap and hot water. **DO NOT USE STEAM OR HIGH WATER PRESSURE HOSES TO WASH THE INTERIOR. THESE WILL DESTROY THE MERCHANDISERS' SEALING CAUSING LEAKS AND POOR PERFORMANCE.**
- Remove screws and lift hinged fan plenum for cleaning. **BE SURE TO REPOSITION THE FAN PLENUM AFTER CLEANING MERCHANDISER.**
- Take care to minimize direct contact between fan motors and cleaning or rinse water.
- Rinse with hot water, but do NOT flood. **NEVER INTRODUCE WATER FASTER THAN THE WASTE OUTLET CAN REMOVE IT.**
- Allow merchandisers to dry before resuming operation.
- After cleaning is completed, turn on power and refrigerant to the merchandiser.
- Verify that merchandiser is working properly.

**SHUT FANS OFF DURING
CLEANING PROCESS.**

Cleaning Honeycomb Assemblies

Honeycombs should be cleaned every six months. Dirty honeycombs will cause merchandisers to perform poorly. The honeycombs may be cleaned with a vacuum cleaner. Soap and water may be used if all water is removed from the honeycomb cells before reassembling. Be careful not to damage the honeycombs.

1. Remove the sheet metal screws located in the front metal retainer which holds the honeycomb assembly in place.
2. Lift the honeycomb assembly out of the L-bracket to remove it.
3. Clean and dry the honeycomb.
4. After cleaning, reassemble in reverse order of removal.



Cleaning Stainless Steel Surfaces

Use non-abrasive cleaning materials, and always polish with grain of the steel. Use warm water or add a mild detergent to the water and apply with a cloth. Always wipe rails dry after wetting. Use alkaline chlorinated or non-chlorine containing cleaners such as window cleaners and mild detergents. Do not use cleaners containing salts as this may cause pitting and rusting of the stainless steel finish. Do not use bleach. Clean frequently to avoid build-up of hard, stubborn stains. A stainless steel cleaning solution may be used periodically to minimize scratching and remove stains. Rinse and wipe dry immediately after cleaning. Never use hydrochloric acid (muriatic acid) on stainless steel.

Fan Plenum

To facilitate cleaning, the fan plenum is hinged and also fastened with screws at each end. After cleaning be sure the plenum is properly lowered into position and that screws are reinstalled OR PRODUCT LOSS WILL RESULT due to improper refrigeration.

Cleaning Coils

NEVER USE SHARP OBJECTS AROUND COILS. Use a soft brush or vacuum brush to clean debris from coils. Do not puncture coils! Do not bend fins. Contact an authorized service technician if a coil is punctured, cracked, or otherwise damaged.

ICE in or on the coil indicates the refrigeration and defrost cycle is not operating properly. Contact an authorized service technician to determine the cause of icing, and to make adjustments as necessary. To maintain product integrity, move all product to a cooler until the unit has returned to normal operating temperatures.

⚠ WARNING

» Do not use HOT water on COLD glass surfaces. This can cause the glass to shatter and could result in personal injury. Allow glass doors to warm before applying hot water.

**Minimum Suggested Cleaning and Maintenance Frequency
with Separate TOP-MOUNTED Condensing Unit***

Case Component	Type of Scheduled Maintenance	Maintenance Frequency (Times / Year)*	Average Maintenance Duration (hours)*	Total Estimated Maintenance Time/Year (hours)
Evaporator Coil / Case Interior	Cleaning	1	2	2
Honeycomb	Cleaning	1	0.05	0.05
Return Air Grille	Cleaning	12	0.1	1.2
Drip Piping	Cleaning	6	0.1	0.6
Condenser Coil	Cleaning	4	0.1	0.4
Condensate Evaporation Pan	Cleaning	4	0.2	0.8
Condensate Evaporation Pan Heater	None	N/A	N/A	N/A
Condensate Pump	Cleaning	6	0.05	0.03
Compressor	None	N/A	N/A	N/A
Electromechanical Thermostats	Replacement	0.2	1	0.2
Compressor Power Relays	Replacement	0.2	1	0.2

***This table is provided for reference only.** The suggested maintenance frequency is the minimum required to reduce unexpected equipment failure. Performance and efficiency may be enhanced with more frequent cleaning. Individual cleaning schedules must take into account local environment and usage, as well as all applicable health codes.

Cleaning Condensate Pump and Heated Evaporation Pans (for case with field-installed option)

ALWAYS DISCONNECT POWER AT THE MAIN CASE DISCONNECT BEFORE SERVICING THE EQUIPMENT.

These items are optional items and are not provided with the case.

- The condensate water outlet for the self-contained models empties into a limited capacity evaporation pan.
- Clean product spills immediately. If a product spill enters the Condensate Pump or Heated Evaporation Pans, a maintenance technician may be required to clean both the pump and heated pans.
- Clean case interior with a sponge or soft cloth, wetted with mild soap and water. Do not pour water from a bucket or hose into case drain. Water introduced during cleaning will cause the evaporation pan to overflow.
- Sediment and debris will clog the Condensate Pump and plastic tubing for water delivery to the Heated Evaporation Pans.
- The Condensate Pump and the Heated Evaporation Pans require regular monthly inspection. The Condensate Pump is located below the case bottom. The Heated Evaporation Pans are located on the case top. Evidence of excess water or odor is an indication that immediate service is required.
- It is recommended to clean the Condensate Pump and Heated Evaporation Pans with mild soap and water. Disconnect power before cleaning. Empty pump sump and heater pans of water before reapplying power.

⚠ WARNING

—Lock Out / Tag Out—

» **To avoid serious injury or death from electrical shock, always disconnect the electrical power at the main disconnect when servicing or replacing any electrical component. This includes, but is not limited to, such items as doors, lights, fans, heaters, and thermostats.**

CLEANING UNDER MERCHANDISERS

Remove splashguards not sealed to floor. Use a vacuum with a long wand attachment to remove accumulated dust and debris from under the merchandiser.

REMOVING SCRATCHES FROM BUMPER

Most scratches and dings can be removed using the following procedure.

1. Use steel wool to smooth out the surface area of the bumper or top rail.
2. Clean area.
3. Apply vinyl or car wax and polish surface for a smooth glossy finish.

⚠ WARNING

» — Evaporation Pan is Hot!—

» **and poses risk of bodily injury — Always wear gloves and protective eye wear when servicing condensate pump and heated evaporation pans. Turn off evaporation pan heater, and allow pan to cool before servicing.**

Refrigerant Removal, Evacuation, and Recovery

When breaking into the refrigerant circuit to make repairs—or for any other purpose—conventional procedures shall be used. However, for flammable refrigerants it is important that best practice be followed, since flammability is a consideration. The following procedure shall be adhered to:

- a. Safely remove refrigerant following local and national regulations;
- b. Purge the circuit with inert gas;
- c. Evacuate;
- d. Purge with inert gas;
- e. Open the circuit by cutting or brazing.

The refrigerant charge shall be recovered into the correct recovery cylinders if venting is not allowed by local and national codes. The system shall be purged with oxygen-free nitrogen to render the appliance safe for flammable refrigerants. This process might need to be repeated several times. Compressed air or oxygen shall not be used for purging refrigerant systems.

Refrigerants purging shall be achieved by breaking the vacuum in the system with oxygen-free nitrogen and continuing to fill until the working pressure is achieved, then venting to atmosphere, and finally pulling down to a vacuum. This process shall be repeated until no refrigerant is within the system. When the final oxygen-free nitrogen charge is used, the system shall be vented down to atmospheric pressure to enable work to take place.

Ensure that the outlet for the vacuum pump is not close to any potential ignition sources and that ventilation is available.

Recovery Procedure

When removing refrigerant from a system, either for servicing or decommissioning, it is recommended good practice that all refrigerants are removed safely. When transferring refrigerant into cylinders, ensure that only appropriate refrigerant recovery cylinders are employed. Ensure that the correct number of cylinders for holding the total system charge is available.

All cylinders to be used are designated for the recovered refrigerant and labeled for that refrigerant (i.e., special cylinders for the recovery of refrigerant). Cylinders shall be complete with pressure-relief valve and associated shut-off valves in good working order. Empty recovery cylinders are evacuated and, if possible, cooled before recovery occurs.

The recovery equipment shall be in good working order with a set of instructions concerning the equipment that is at hand and shall be suitable for the recovery of all appropriate refrigerants including, when applicable, FLAMMABLE REFRIGERANTS. In addition, a set of calibrated weighing scales shall be available and in good working order. Hoses shall be complete with leak-free disconnect couplings and in good condition. Before using the recovery machine, check that it is in satisfactory working order, has been properly maintained and that any associated electrical components are sealed to prevent ignition in the event of a refrigerant release. Consult manufacturer if in doubt.

The recovered refrigerant shall be returned to the refrigerant supplier in the correct recovery cylinder, and the relevant waste transfer note arranged. Do not mix refrigerants in recovery units and especially not in cylinders. If compressors or compressor oils are to be removed, ensure that they have been evacuated to an acceptable level to make certain that FLAMMABLE REFRIGERANT does not remain within the lubricant. The evacuation process shall be carried out prior to returning the compressor to the supplier. Only electric heating to the compressor body shall be employed to accelerate this process.

When oil is drained from a system, it shall be carried out safely.

Refrigerant Charging Procedure

A calibrated scale with +/-2 gram accuracy must be used to charge the system. The charge amount is shown on the serial plate. Only the listed refrigerant can be used.

No gas charge adjustments are allowed. When connecting hoses between the refrigeration system, manifold gauges, and refrigerant cylinder, ensure that the connections are secure and there are no potential sources of ignition nearby. Ensure that contamination of different refrigerants does not occur when using charging equipment.

Use hoses designed to service refrigeration systems. Hoses or lines should be as short as possible to minimize the amount of refrigerant contained in them.

Ensure that the refrigeration system is properly grounded prior to charging the system with refrigerant, to avoid the potential for static build-up.

In addition to conventional charging procedures, the following requirements shall be followed:

- a. Ensure that contamination of different refrigerants does not occur when using charging equipment. Hoses or lines shall be as short as possible to minimize the amount of refrigerant contained in them.
- b. Cylinders shall be kept in an appropriate position according to the instructions.
- c. Ensure that the REFRIGERATING SYSTEM is earthed prior to charging the system with refrigerant.
- d. Label the system when charging is complete (if not already).
- e. Extreme care shall be taken not to overfill the REFRIGERATING SYSTEM.

Prior to recharging the system, it shall be pressure-tested with the appropriate purging gas. The system shall be leak-tested on completion of charging but prior to commissioning. A follow up leak test shall be carried out prior to leaving the site.

Extreme care must be taken not to over fill the refrigeration system. After charging, carefully disconnect the hoses, attempting to minimize the quantity of refrigerant released. Further leak check the service ports, hoses, refrigerant tanks. The service ports shall be checked for leaks using a hydrocarbon leak detector with a sensitivity of 3 grams/year (0.106 oz/year) leak rate.

Thoroughly leak check the service ports. If no leak is present, use a pinch-off tool to close the ends of the service tubes before brazing them shut. If a Schrader valve is used on the compressor service tube, it must be removed and the previous steps followed in order to braze the service tube shut.

Replacing Fan Motors and Blades

See cross section for location of evaporator fans. Should it ever be necessary to service or replace the fan motors or blades be certain that the fan blades are re-installed correctly.

For access to fans:

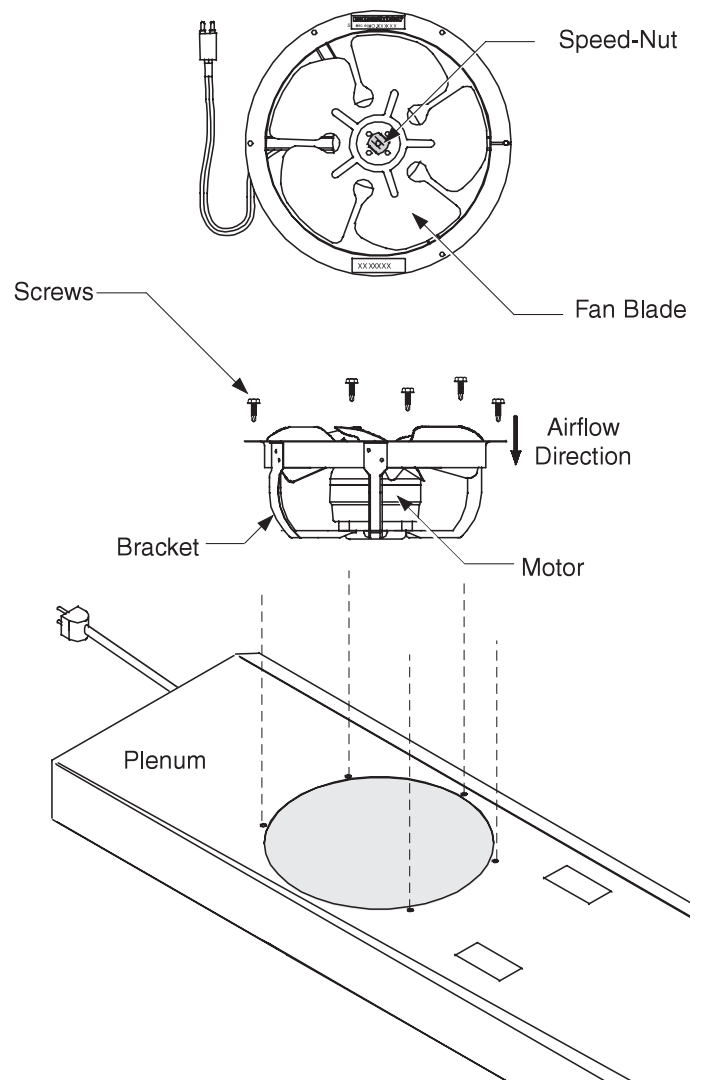
1. Turn off power.
2. Remove bottom display pans.
3. **Disconnect fan from wiring harness.**
4. Remove fan blade.
5. Remove screws holding fan motor/bracket assembly to plenum and remove assembly.
6. Replace fan motor/bracket assembly and reinstall screws.
7. Reinstall fan blade.
8. Reconnect fan to wiring harness.
9. Turn on power.
10. Verify that motor is working and blade is turning in the correct direction.
11. Close air gaps under fan plenum. Warmer air moving into refrigerated air reduces effective cooling. If the plenum does not rest against the case bottom without gaps, apply foam tape to the bottom of the fan plenum to reduce improper air movement. Use silicone sealant to close other gaps.
12. Replace display pans. Bring merchandiser to operating temperature before restocking.

⚠ WARNING

—Lock Out / Tag Out—

» To avoid serious injury or death from electrical shock, always disconnect the electrical power at the main disconnect when servicing or replacing any electrical component. This includes, but is not limited to, such items as doors, lights, fans, heaters, and thermostats.

Fan Assembly



Husmann recommends against frame heater cycling with *Innovator* doors to prevent door seals from freezing to the frames and tearing.

Replacing Electric Defrost Heaters

Electric defrost requires a heater on the front and rear of the coil as shown. The heaters are held in place by tabs in the coil brackets.

Front Defrost Heater

1. Disconnect power.
2. Lift fan plenum up and back to access the heater.
3. Bend tabs holding heater to horizontal.
4. Remove heater from coil bracket.
5. Position new heater in bracket.
6. Bend tabs back to vertical to hold heater in bracket.
7. Replace the coil cover and lower fan plenum.
8. Turn on power.
9. Verify that heater is working correctly.

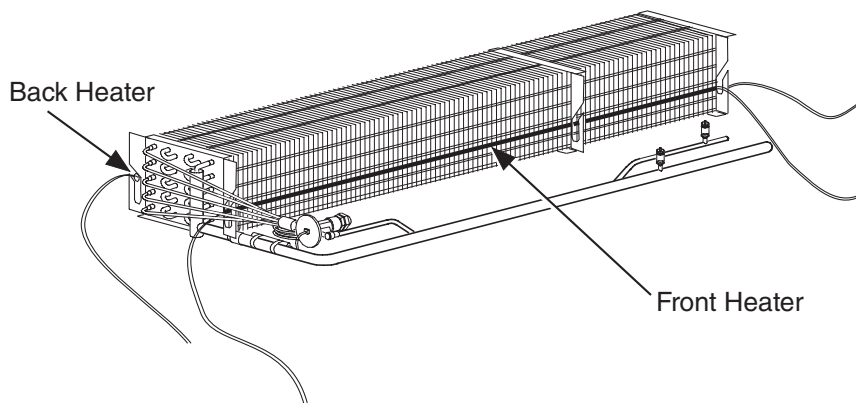
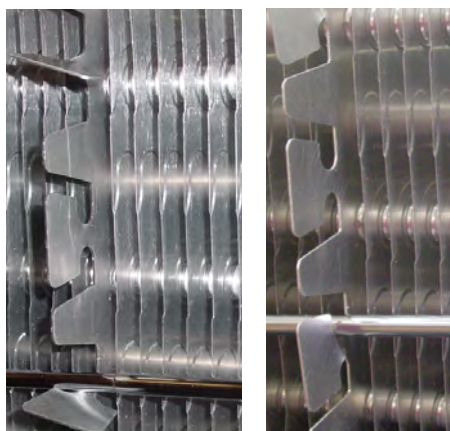
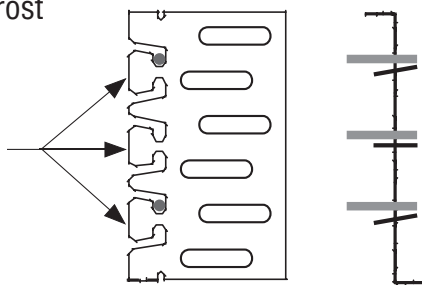
10. Close air gaps under fan plenum. Warmer air moving into refrigerated air reduces effective cooling. If the plenum does not rest against the case bottom without gaps, apply foam tape to the bottom of the fan plenum to reduce improper air movement. Use silicone sealant to close other gaps.
11. Replace display pans. Bring merchandiser to operating temperature before restocking.

Rear Defrost Heater

1. Disconnect Power.
2. Remove coil cover.
3. Remove clips holding heater to coil tube.
4. Remove heater from slots in coil bracket.
5. Position new heater in slots.
6. Replace clips.
7. Replace the coil cover.
8. Turn on power.
9. Verify that heater is working correctly.
10. Replace display pans. Bring merchandiser to operating temperature before restocking.

Electric Defrost

Bend Tabs on Each Bracket to Release or Secure Heaters



Replacing Drain Pan Heater — Electric and Gas Defrost

(Low Temperature Only)

The drain pan heater is located as shown below.

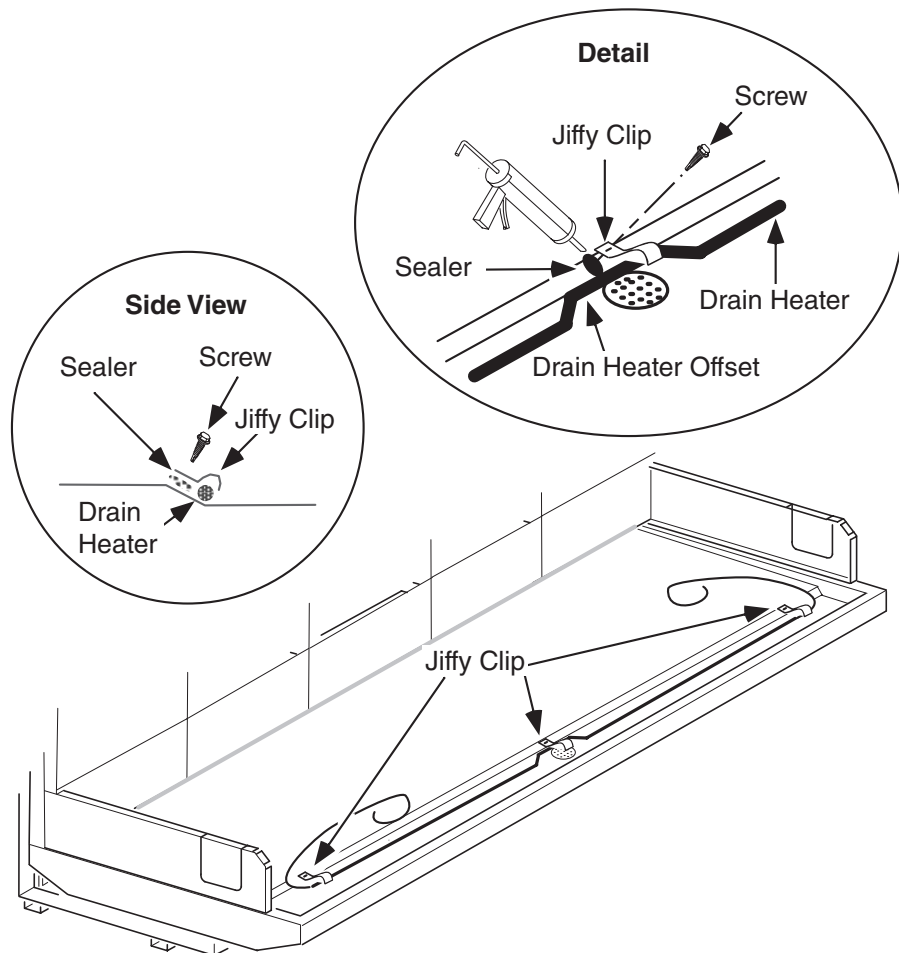
Remove Drain Pan Heater

1. Disconnect power.
2. Pull heater out from under jiffy clips.
3. Position new heater under jiffy clips. Be sure offset is properly positioned around the drain. If jiffy clips are removed, **make certain sealer is replaced.**
4. Reconnect power.
5. Verify that heater is working correctly.

⚠ WARNING

—Lock Out / Tag Out —

» To avoid serious injury or death from electrical shock, always disconnect the electrical power at the main disconnect when servicing or replacing any electrical component. This includes, but is not limited to, such items as doors, lights, fans, heaters, and thermostats.



Servicing Vertical Lighting

Refer to door manufacturer's manual for servicing of vertical lamps.

Servicing Doors and Frames

See door manufacturer's service manual for servicing information. One manual is shipped with each merchandiser.

Replacing Door Frame Parts

Parts for Reach-in doors and door frame assemblies must be ordered direct from the door manufacturer. This includes the glass doors, door frame assemblies, lamps, ballasts, door handles, hold open slides, and power cords. **Refer to specific warranty supplied with the door.** The manufacturers have a warranty against moisture penetration, a warranty against tempered glass breakage, and a warranty on ballasts. Lamps are not covered by Hussmann or the door manufacturer.

Repairing Aluminium Coil

The aluminum coils used in Hussmann merchandisers may be easily repaired in the field. Materials are available from local refrigeration wholesalers.

Hussmann recommends the following solders and technique:

Solders

Aladdin Welding Products Inc.
P.O. Box 7188
1300 Burton St.
Grand Rapids, MI 49507
Phone: 1-800-645-3413

X-Ergon

1570 E. Northgate
P.O. Box 2102
Irving, TX 75062
Phone: 1-800-527-9916

NOTE:

Hussmann Aluminum melts at	1125°F	(607°C)
Aladdin 3-in-1 rod at	732°F	(389°C)
X-Ergon Acid core at	455°F	(235°C)

Technique:

1. Locate Leak.
2. REMOVE ALL PRESSURE.
3. Brush area UNDER HEAT.
4. Use PRESTOLITE TORCH ONLY.
Number 6 tip.
5. Maintain separate set of stainless steel brushes and USE ONLY ON ALUMINUM.
6. Tin surface around area.
7. Brush tinned surface UNDER HEAT, thoroughly filling the open pores around leak.
8. Repair leak. Let aluminum melt solder, NOT the torch.
9. Don't repair for looks. Go for thickness.
10. Perform a leak check.
11. Wash with water.
12. Cover with a good flexible sealant.

Decommissioning Process

Before carrying out this procedure, it is essential that the technician is completely familiar with the equipment and all its details. It is recommended good practice that all refrigerants are recovered safely. Prior to the task being carried out, an oil and refrigerant sample should be taken in case analysis is required prior to re-use of recovered refrigerant. It is essential that electrical power is available before the task is commenced.

- a. Become familiar with the equipment and its operation.
- b. Isolate the system electrically.
- c. Before attempting the procedure, ensure:
 - i. Mechanical handling equipment is available, if required, for handling refrigerant cylinders.
 - ii. All personal protective equipment is available and being used correctly.
 - iii. The recovery process is supervised at all times by a qualified, competent person.
 - iv. Recovery equipment and cylinders conform to the appropriate standards.
- d. Pump down refrigerant system, if possible.
- e. If a vacuum is not possible, make a manifold so that refrigerant can be removed from various parts of the system.
- f. Make sure that cylinder is situated on the scales before recovery takes place.
- g. Start the recovery machine and operate in accordance with instructions.
- h. Do not overfill cylinders (no more than 80% volume liquid charge).
- i. Do not exceed the maximum working pressure of the cylinder, even temporarily.
- j. When the cylinders have been filled correctly and the process completed, make sure that the cylinders and the equipment are removed from site promptly and all isolation valves on the equipment are closed off.
- k. Recovered refrigerant shall not be charged into another refrigerating system unless it has been cleaned and checked.

Equipment shall be labeled stating that it has been decommissioned and emptied of refrigerant. The label shall be dated and signed. For appliances containing flammable refrigerants, ensure that there are labels on the equipment stating the equipment contains flammable refrigerant.

OPTIONAL DRIP PIPING

Waste Outlet and Waterseal

Drip piping must be installed for cases without evaporation pans. Drip piping is located between the front merchandiser base and the splashguard fixture and runs parallel to the merchandiser (see Data Sheet for exact locations).

Installing Drip Piping

Poorly or improperly installed drip pipes can seriously interfere with the merchandiser's operation and result in costly maintenance and product losses. Please follow the recommendations listed below when installing drip pipes to ensure proper installation.

- Never use drip piping smaller than the nominal diameter of the pipe or water seal supplied with the merchandiser.
- When connecting drip piping, the *water seal* must be used as part of the drip piping to prevent air leakage or insect entrance. Never use two water seals in series in any one drip pipe. **DOUBLE WATER SEALS IN SERIES WILL CAUSE AN AIR LOCK AND PREVENT DRAINING.**
- Pitch the drip piping in the direction of flow. There should be a minimum pitch of 1/4 in. per ft (20 mm per 1 m).
- Avoid long runs of drip piping. Long runs make it impossible to provide the pitch necessary for good drainage.

- Provide a suitable air break between flood rim of the floor drain and outlet of drip pipe. To meet code on low base merchandisers, it may be necessary to install a field-supplied drip pipe reducer. An alternative is to cut the last section of drip pipe at an angle.

- Prevent drip pipes from freezing sweating or freezing:

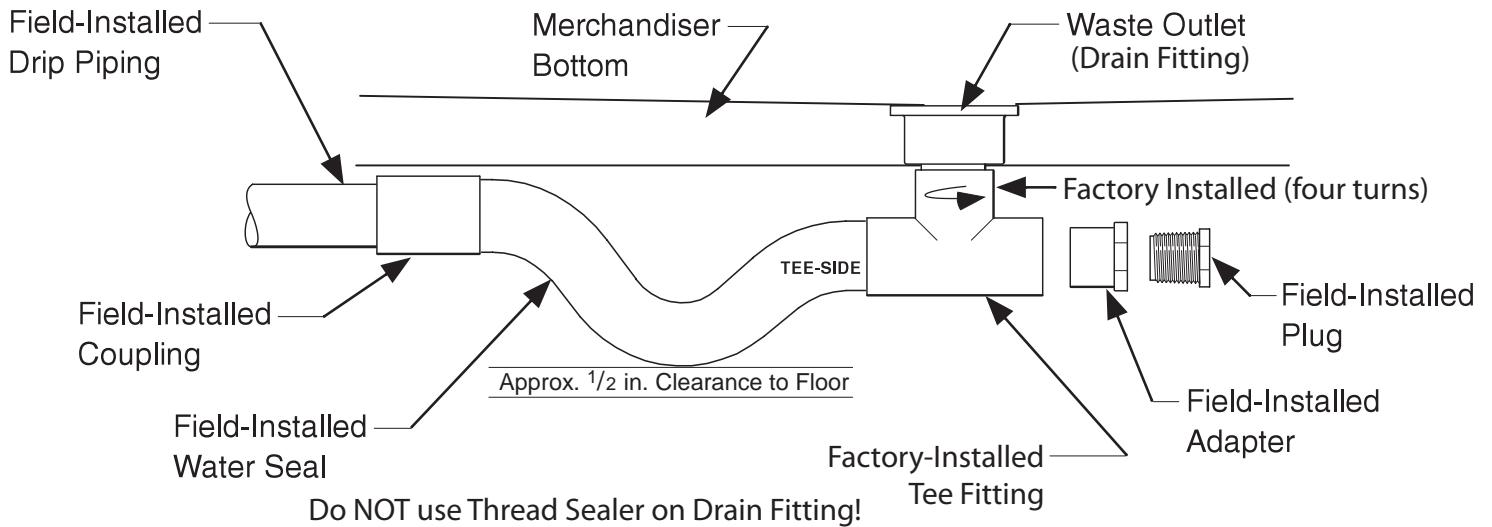
A. Do NOT install drip pipes in contact with uninsulated suction lines. Suction lines should be insulated with a non-absorbent insulation material.

B. Where drip pipes are located in dead air spaces, such as between merchandisers or between a merchandiser and a store wall, provide means to prevent drip pipe from sweating. External ventilation fans may be required to prevent sweating.



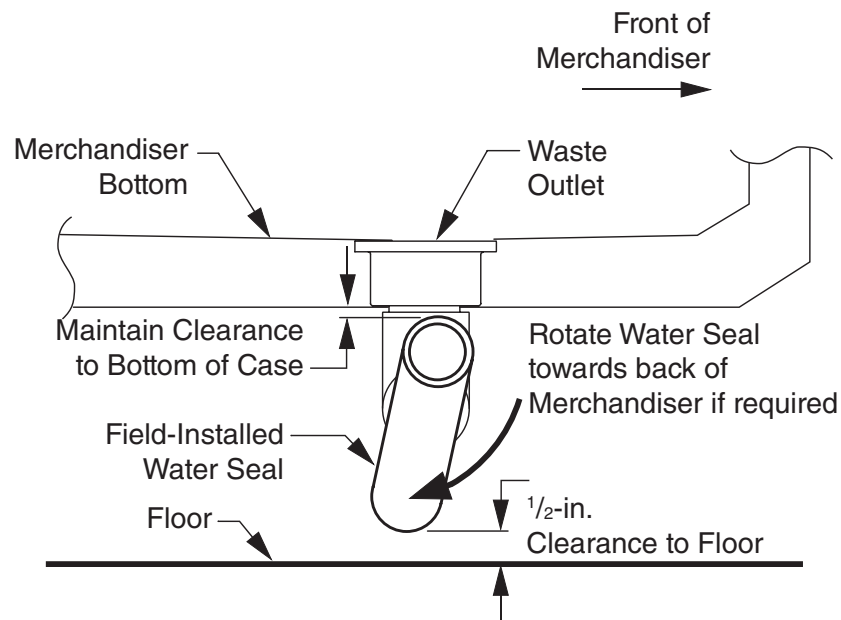
⚠ CAUTION

- » Splashguard brackets **MUST** be installed before piping merchandiser.



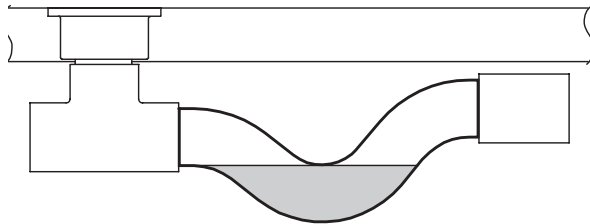
1. Tee is factory-installed. If adjustment is necessary, tighten factory-installed tee no more than $\frac{1}{4}$ turn. Do not overtighten threads, or the drain fitting or tee may become damaged.
2. **Do NOT use thread sealer on ABS drain fitting. If sealer is used the ABS drain fitting may crack or leak!** (If a tee needs to be installed it should be hand tightened). Do not overtighten threads.
3. Dry fit the supplied water seal / trap to ensure approximately $\frac{1}{2}$ in. of clearance from the bottom of the trap to the floor as shown.

NOTE: It may be necessary to rotate water seal (trap) inside the tee a few degrees to ensure clearance at two locations. There must be clearance 1) between the bottom of the water seal and the floor, and 2) between the top of the water seal outlet and the bottom of the merchandiser. Do not over-rotate or gravity seal may be compromised. Always rotate trap bottom toward merchandiser support rail.

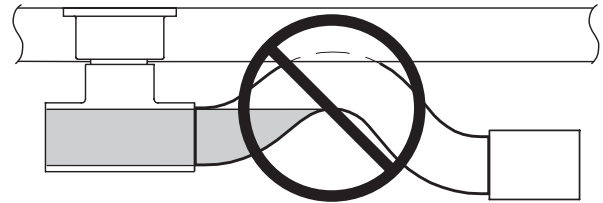


4. Install remaining PVC drain parts using recommended PVC cleaner, primer and cement per manufacturer's recommendations.
5. Thread plug into the adapter until snug but not to exceed four full rotations.
6. Installed drip piping may require additional support depending on the number and location of the hub floor drains. The installer should always provide adequate support to all drip piping arrangements to prevent excess stress on all drip piping components. The installer must provide additional support when "evac" type waste water systems are applied.

It is the installing contractor's responsibility to consult local agencies for local code requirements.



**Water Seal
Correct**



**Water Seal
NOT Correct**

WARRANTY

To obtain warranty information or other support, contact your Hussmann representative or visit:

<https://www.hussmann.com/services/warranty>.

Please include the model and serial number of the product.

For questions about your equipment, please contact our Technical Support Team at 1-866-785-8499

For general support or service calls, contact our Customer Support Call Center at 1-800-922-1919

For ordering aftermarket warranty parts, call 1-855-HussPrt (1-855-487-7778) or email the following address:

Hussmann_part_warranty@hussmann.com

REVISION HISTORY

Revision AA: Updated for Compliance with UL 60335

REVISION Y: Revised for new condensate pump Page, 2-10 to 2-12 and Page, 5-4 Updated Checklist on Page, 4-4.

REVISION W: Removed Controller Bulletin; added Condensate Pump & Pan cleaning information, Page 5-4

REVISION V Updated Field Wiring for Fuses and Page ii; Page iv



Scan the QR code on your mobile device to access additional product information or order parts.

Parts may also be ordered at:
parts.hussmann.com
Call toll free: 1.855.487.7778

We reserve the right to change or revise specifications and product design in connection with any feature of our products. Such changes do not entitle the buyer to corresponding changes, improvements, additions or replacements for equipment previously sold or shipped.