

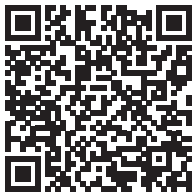
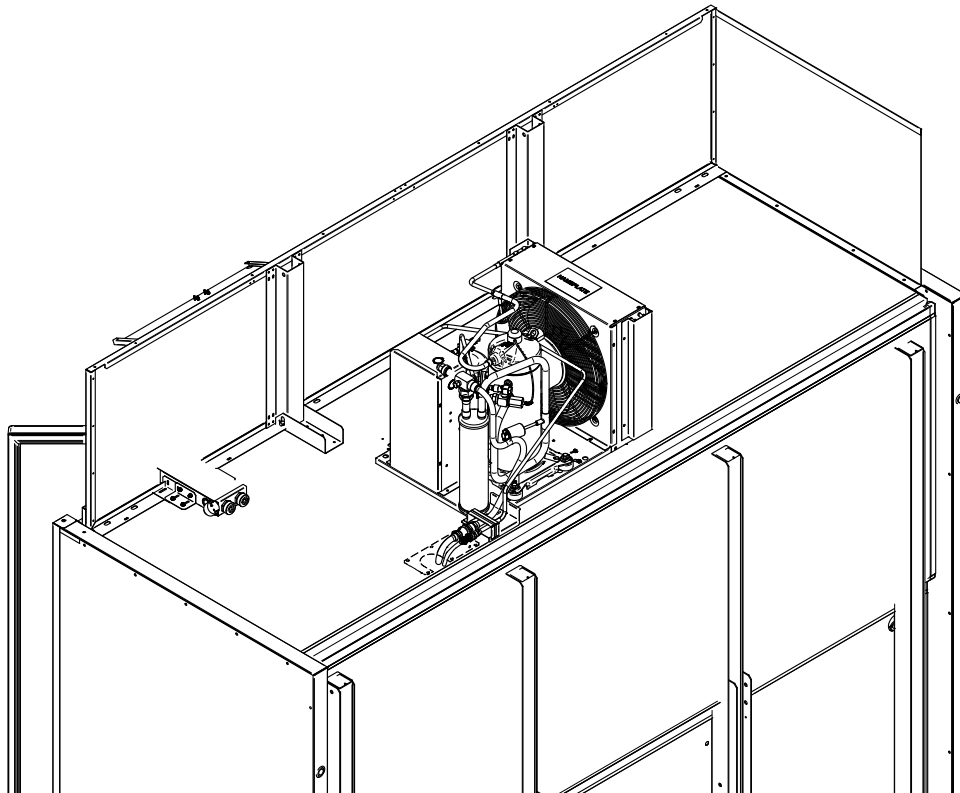
HUSSMANN®

Reach-In Freedom Air-Cooled Condensing Units

Technical Data Sheet

P/N 3049063_L

March 2024



Scan the QR code with your mobile device to access additional product information or order parts.

Parts may also be ordered at:

parts.hussmann.com

Call toll free: 1.855.487.7778

We reserve the right to change or revise specifications and product design in connection with any feature of our products. Such changes do not entitle the buyer to corresponding changes, improvements, additions or replacements for equipment previously sold or shipped.

Datasheet-Freedom Line Condensing Units

R448A

Note: Revision L: Updated condensing unit IDs

Freedom Line Air-Cooled Condensing Units for Reach-in Cases
--

Application	RFL/RFLN/RFLNS						
	1 Door	1 Door	2 Door	3 Door	4 Door	5 Door	
SINGLE POINT CIRCUIT	120V, 1 Phase, 2 Wire	208V, 1 Phase, 4 Wire	208V, 1 Phase, 4 Wire	208V, 1 Phase, 4 Wire	208V, 1 Phase, 4 Wire	208V, 1 Phase, 4 Wire	
Maximum Overcurrent Protection Device (MOPD)							
	RFL, RFLN	20	20	20	25	40	40
	RFLNS	--	--	20	20	35	40
Minimum Circuit Ampacity (MCA)							
	RFL, RFLN	16.3	13.3	17.3	22.5	29.0	33.8
	RFLNS	--	--	15.5	20.5	26.4	32.2
Condensing Unit							
Voltage/ 60Hz / 1 Phase	120V	208/230	208/230	208/230	208/230	208/230	
Compressor RLA	6.3	4.3	6.1	7.4	13.9	13.9	
LRA	40	23	42.3	40.3	75	75	
R448A Charge (lbs)(Condensing unit only)	0.33	1.4	5.1	5.1	5.1	5.1	
Total Working Charge (case + condensing unit, lbs):	0.67	2.3	6.0	6.5	6.9	7.4	
Oil Recharge (oz)	12	19	19	19	19	19	
Heat of Rejection (Btu/hr)	1,942	2,451	4,804	6,509	8,438	10,548	
Refrigerant Connections (inches)							
Liquid Line	3/8	3/8	3/8	3/8	3/8	3/8	
Suction Line	3/8	5/8	5/8	5/8	5/8	5/8	
Dimensions (inches)							
Height	11.5	11.9	17.7	17.7	17.7	17.7	
Length	22.5	16.0	24.9	24.9	24.9	24.9	
Width	18	15.1	18.8	18.8	18.8	18.8	
Shipping Weight (lbs)	40	53	119	122	117	117	

NOTE: Includes fans, lights, controller, evaporator pan, a/s heaters, pump, condensing unit, and defrost heaters. Subtract 5 amps if heated condensate pan is not applied.

MCA and MOPD values may need to be adjusted for additional optional components.

1 door cases are available for either 120V and 208V single phase power supply. See page 14.

Freedom Line Air-Cooled Condensing Units for Reach-in Cases
--

Application	RFM/RFMN/RFMNS				
	1 Door	2 Door	3 Door	4 Door	5 Door
	120V			208V, 1 Phase, 4 Wire	
SINGLE POINT CIRCUIT					
Maximum Overcurrent Protection Device (MOPD)	10	20	20	20	20
Minimum Circuit Ampacity (MCA)					
RFM, RFMN	12.8	14.1	15.8	14.4	16.5
RFMNS	--	7.4	8.9	13.5	15.3
Condensing Unit					
Voltage/ 60Hz / 1 Phase	120	120	120	208/230	208/230
Compressor RLA	4.0	4.0	4.8	3.0	4.0
LRA	26.0	26.0	34.0	17.5	22.0
R448A Charge (lbs)(Condensing unit only)	0.33	0.7	0.7	0.7	0.7
Total Working Charge (case + condensing unit, lbs):	0.74	2.5	3.0	3.3	3.5
Oil Recharge (oz)	12	10	10	10	10
Heat of Rejection (Btu/hr)	835	1,656	2,548	3,331	4,164
Refrigerant Connections (inches)					
Liquid Line	3/8	3/8	3/8	3/8	3/8
Suction Line	3/8	5/8	5/8	5/8	5/8
Dimensions (inches)					
Height	11.5	10.5	10.5	11.7	11.7
Length	21.5	16.0	16.0	16.5	16.6
Width	18	14.3	14.3	13.1	13.1
Shipping Weight (lbs)	40	40	44	45	40

NOTE: Includes fans, lights, controller, evaporator pan, a/s heaters, pump, condensing unit, and defrost heaters. Subtract 5 amps if heated condensate pan is not applied.

MCA and MOPD values may need to be adjusted for additional optional components.

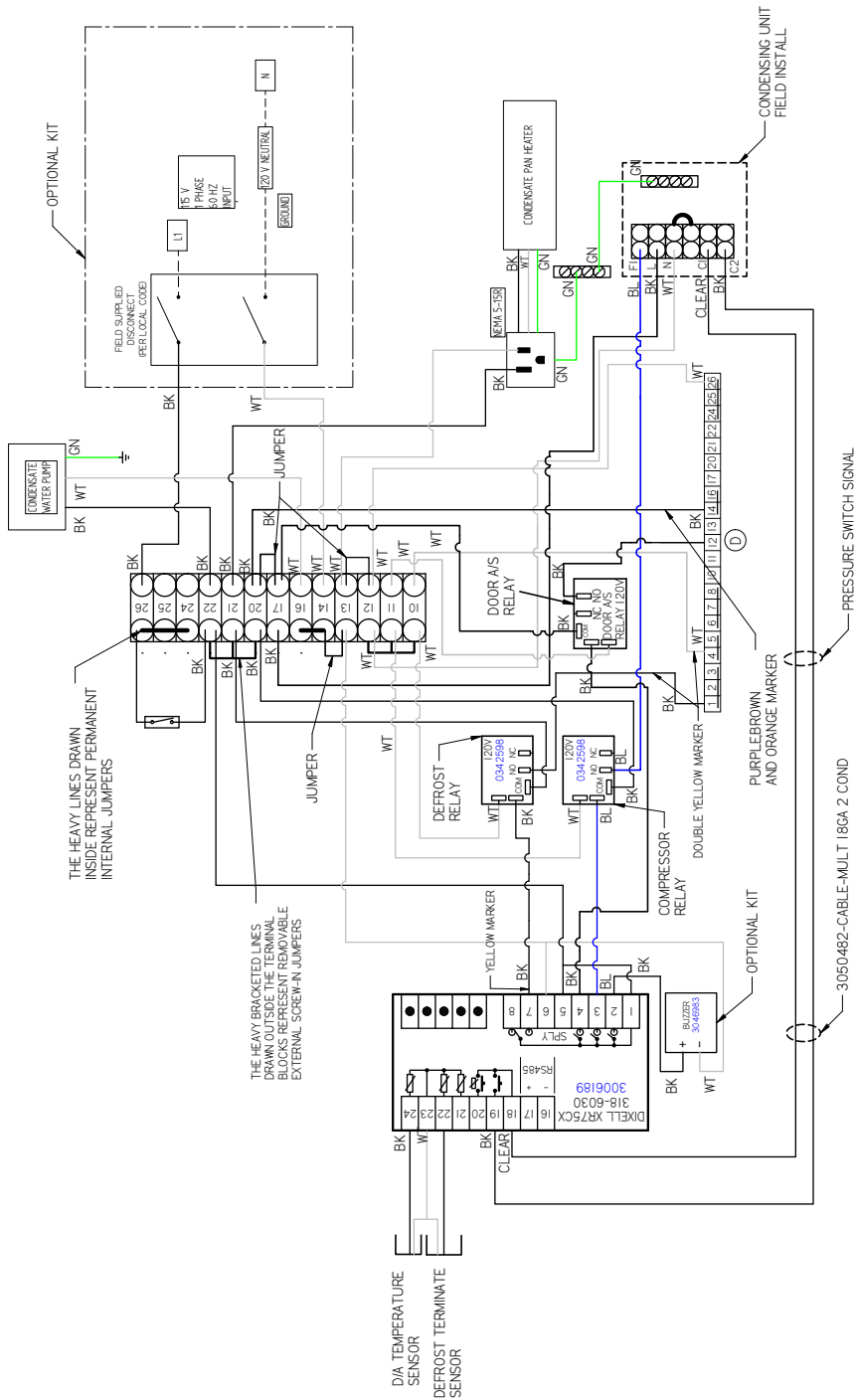
Freedom Line Air-Cooled Condensing Units for Reach-in Cases
--

Application	RFLTM			
	2 Door	3 Door	4 Door	5 Door
MULTI-POINT WIRING (Standard for RFL,RFLN,RFLTM)				
Circuit 1 (120V, 1 Phase) Fans, Lights, Controller, Evaporator Pan, A/S Heaters Pump				
Maximum Overcurrent Protection Device (MOPD)	*See Case Data Sheet*			
Minimum Circuit Ampacity (MCA):	*See Case Data Sheet*			
Circuit 2 (208V, 1 Phase) Condensing Unit and Defrost Heaters				
Maximum Overcurrent Protection Device (MOPD)	15	15	30	30
Minimum Circuit Ampacity (MCA)	9.5	12.3	18.8	18.8
OPTIONAL SINGLE POINT CIRCUIT (208V, 1 Phase, 4 Wire)				
Maximum Overcurrent Protection Device (MOPD)	--	--	--	--
Minimum Circuit Ampacity (MCA)	--	--	--	--
Condensing Unit				
Voltage/ 60Hz / 1 Phase	208/230	208/230	208/230	208/230
Compressor RLA	6.1	8.7	13.9	13.9
LRA	42.3	55.0	75	75
R448A Charge (lbs)(Condensing unit only)	5.1	5.1	5.1	5.1
Total Working Charge (case + condensing unit, lbs):	6.0	6.5	6.9	7.4
Oil Recharge (oz)	19	19	19	19
Heat of Rejection (Btu/hr)	1,987	3,057	3,997	4,997
Refrigerant Connections (inches)				
Liquid Line	3/8	3/8	3/8	3/8
Suction Line	5/8	5/8	5/8	5/8
Dimensions (inches)				
Height	17.7	17.7	17.7	17.7
Length	24.9	24.9	24.9	24.9
Width	18.8	18.8	18.8	18.8
Shipping Weight (lbs)	119	118	117	117

RFL, RFLN 120 V 1 Door

3142978 D

Freedom Line Air-Cooled Condensing Units for Reach-in Cases



FACTORY 14GA WIRE
FACTORY 10GA WIRE
FIELD WIRE

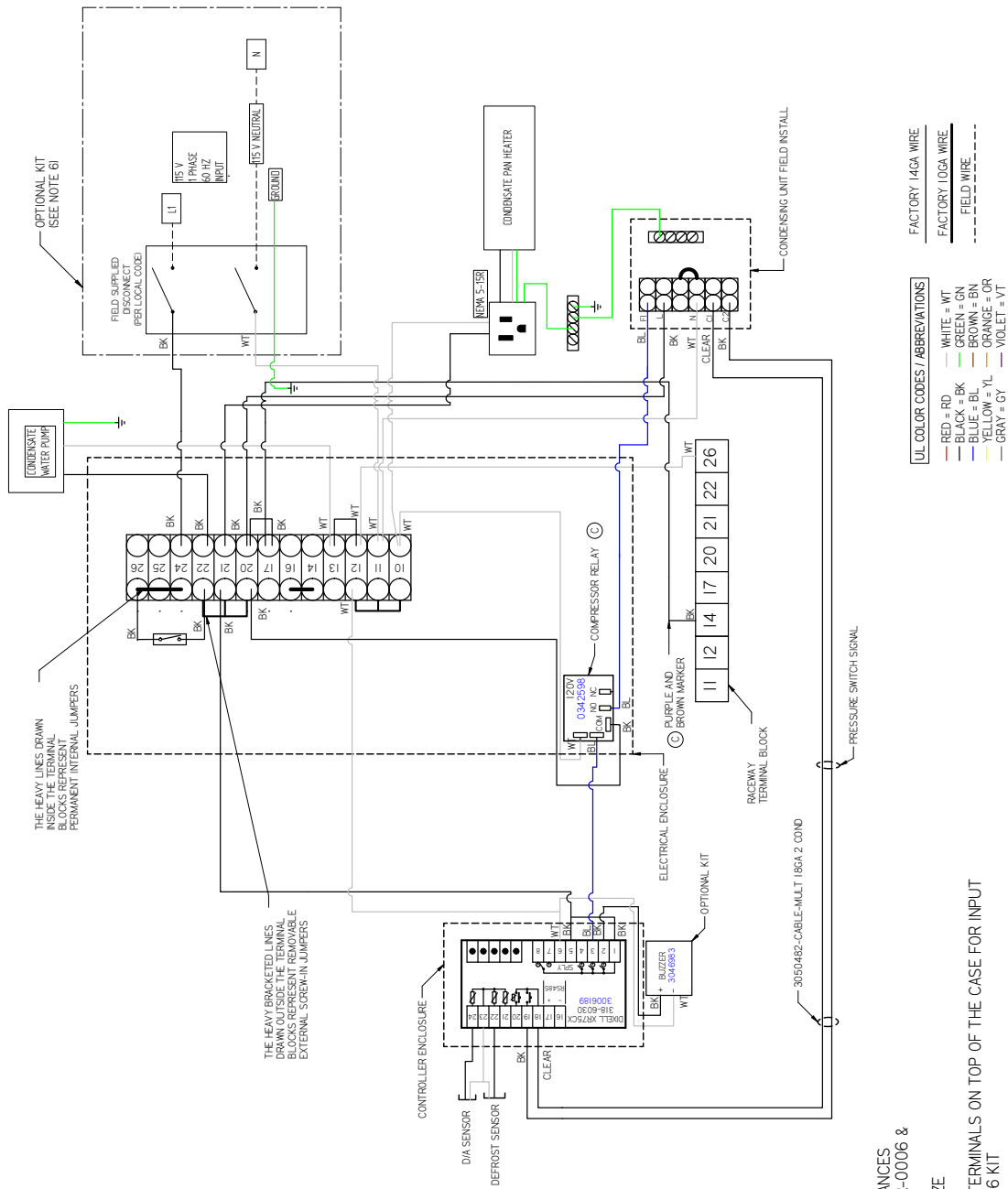
UL COLOR CODES / ABBREVIATIONS
 RED = RD
 BLACK = BK
 BLUE = BL
 YELLOW = YL
 GRAY = GY
 WHITE = WT
 GREEN = GN
 BROWN = BN
 ORANGE = OR
 VIOLET = VT

- NOTES:
1. APPLICABLE STANDARDS / SPECIFICATIONS ASME Y14.5M-1994. DIMENSIONS AND TOLERANCES
 2. KEY PRODUCT CHARACTERISTICS PER EPR-0006 & IDENTIFIED WITH SYMBOL
 3. MATERIAL - WHITE BOND PAPER LETTER SIZE
 4. REF -
 5. IF CASE IS EQUIPPED WITH INNOVATOR II OR INNOVATOR III DOORS, IT DOES NOT INCLUDE DOOR A.S. HEATER. THE WIRE JUMPER IS BETWEEN TERMINAL 12-13 FOR DOOR ANTI-SWEAT, INSTEAD OF TERMINAL 10-13
 6. TERMINALS 1, 4, 14 AND 26 ARE CONNECTED TO TERMINALS ON TOP OF THE CASE FOR INPUT
 7. THE PACK-OUT ONLY APPLY FOR THE VF56 KIT
 8. DIXELL ALARM APPLY FOR THE KIT T167

Freedom Line
Air-Cooled Condensing Units
for Reach-in Cases

RFM, RFMN 120 V 1 Door

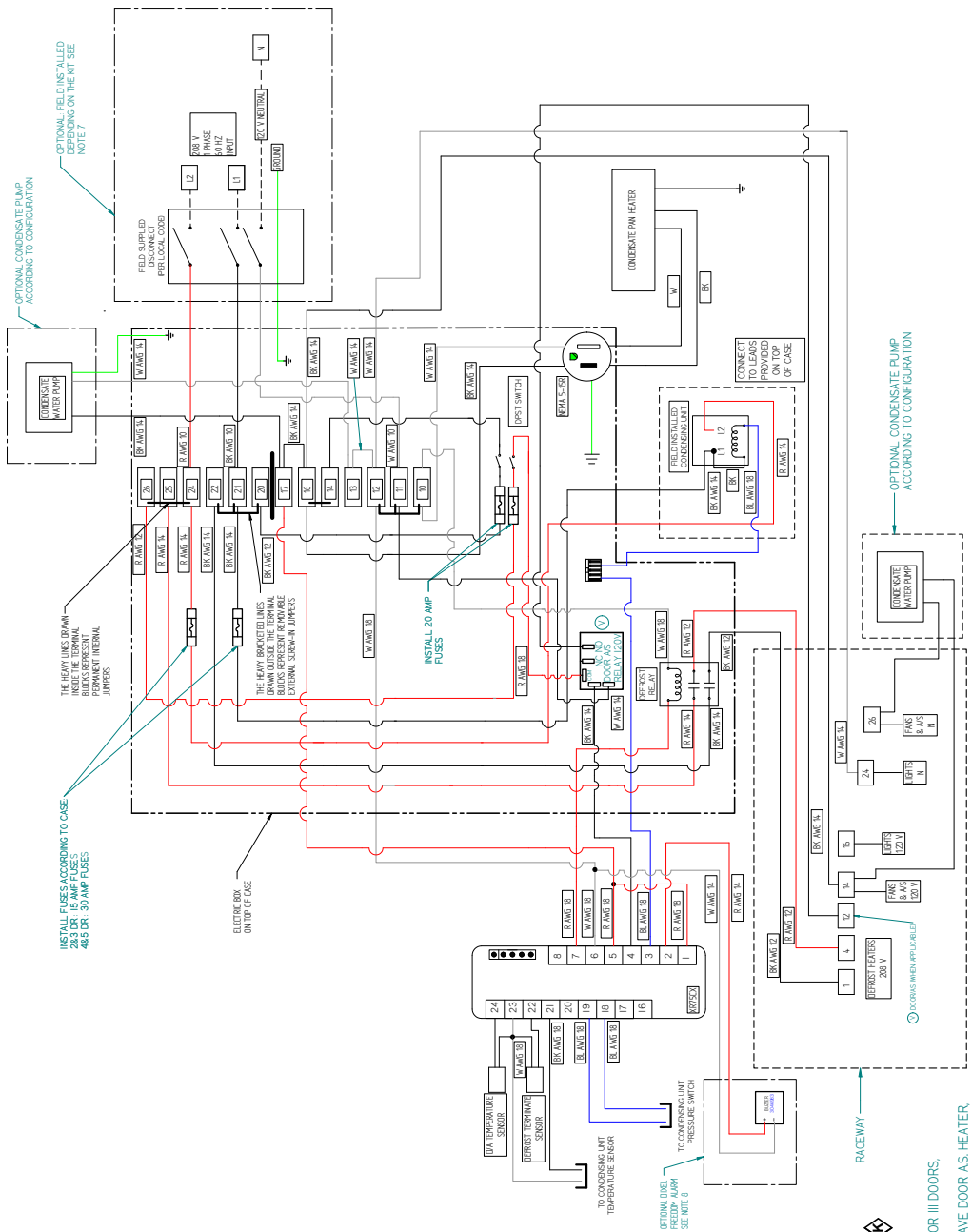
3142979 C



- NOTES:
1. APPLICABLE STANDARDS / SPECIFICATIONS ASME Y14.5M-1994, DIMENSIONS AND TOLERANCES
 2. KEY PRODUCT CHARACTERISTICS PER EPR-0006 & IDENTIFIED WITH SYMBOL
 3. MATERIAL- WHITE BOND PAPER LETTER SIZE
 4. REF -
 5. TERMINALS 14 & 26 ARE CONNECTED TO TERMINALS ON TOP OF THE CASE FOR INPUT
 6. THE PACK-OUT ONLY APPLY FOR THE VF56 KIT
 7. DIXELL ALARM APPLY FOR THE KIT T167

**RFL,RFLN 1 - 5 Door
Single Point 208V
3055656 V**

**Freedom Line
Air-Cooled Condensing Units
for Reach-in Cases**



INSTALL FUSES ACCORDING TO CASE:
20 OR 15 AMP FUSES:
485 OR 30 AMP FUSES:

THE HEAVY LINES DRAWN
INSIDE THE TERMINAL
BLOCKS REPRESENT
INTERNAL
JUMPER

OPTIONAL FIELD INSTALLED
DEPENDING ON THE KIT SEE
NOTE 7

OPTIONAL CONDENSATE PUMP
ACCORDING TO CONFIGURATION

ELECTRIC BOX
ON TOP OF CASE

INSTALL 20 AMP
FUSES

TO CONDENSATE UNIT
PRESSURE SWITCH
SEE NOTE 8

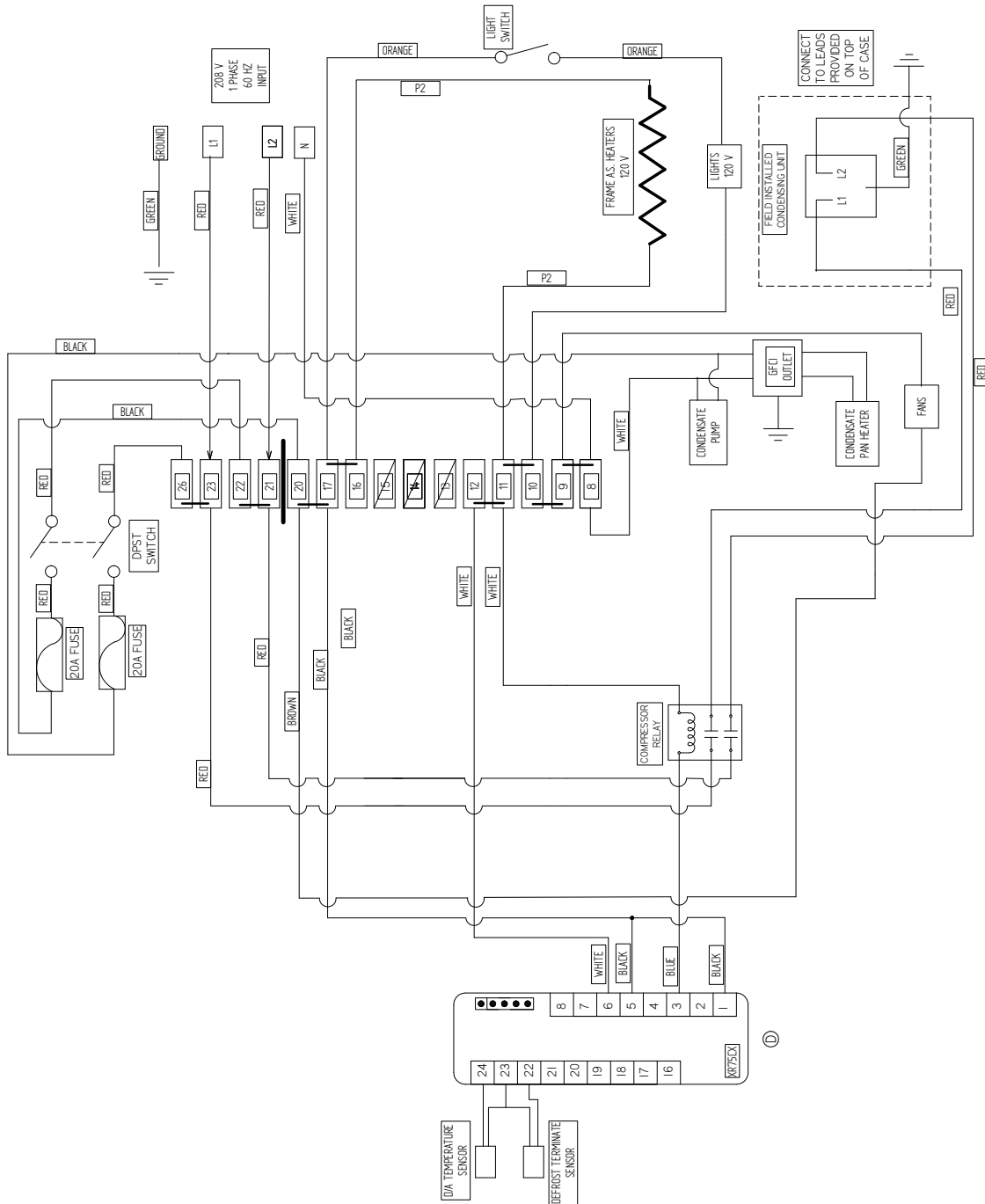


- NOTES
1. APPLICABLE STANDARDS / SPECIFICATIONS
ASME Y14.5M-1994 DIMENSIONS AND TOLERANCES
 2. KEY PRODUCT CHARACTERISTICS PER EPR-0006 &
IDENTIFIED WITH SYMBOL
 3. MATERIAL - N/A
 4. IF CASE IS EQUIPPED WITH INNOVATOR II OR INNOVATOR III DOORS,
IT DOES NOT INCLUDE ANTISEAT
 5. IF CASE IS EQUIPPED WITH INNOVATOR II IT WILL NOT HAVE DOOR AS HEATER
 6. THE WIRING TO TERMINAL 12 AND 21 AND THE XRT5 TERMINAL 4 TO TERMINAL 12 IS ELIMINATED
 7. IF CASE IS EQUIPPED WITH INNOVATOR III
THE WIRING FROM XRT5 TERMINAL 4 TO TERMINAL 12 IS ELIMINATED AND A JUMPER BE NEEDED TO BOTTOM RACEWAY BETWEEN TERMINAL 12 AND 13
 8. TERMINALS 1, 4, 10, 14, 17, 20, AND 26 ARE CONNECTED TO TERMINALS ON TOP OF THE CASE FOR INPUT
 9. THE PACK-OUT ONLY APPLY FOR THE WK92 KIT
 10. DIXELL ALARM APPLY FOR THE KIT T167

Freedom Line
Air-Cooled Condensing Units
for Reach-in Cases

RFMNS 4 & 5 Door Single Point

0539477 D



NOTES:
 1. APPLICABLE STANDARDS / SPECIFICATIONS
 ASME Y14.5M-1994; DIMENSIONS AND TOLERANCES

Freedom Line Air-Cooled Condensing Units for Reach-in Cases
--

Case	Size	Kit	Condensing Unit ID
RFL	1 Door	YG36	HN007LTR (120V)
	1 Door	TA52	M6EL-H056-IAV-028 (208V)
	2 Door	TJ78	FFAL-010Z-CFV-142
	3 Door	TJ79	FFAL-013Z-PFV-143
	4 Door	TA45	FFAL-017Z-PFV-143
RFM	5 Door	TA45	FFAL-017Z-PFV-143
	1 Door	YG37	HN002MTR (120V)
	2 Door	TA47	M6EM-0020-IAA-121
	3 Door	TA46	M6EM-0023-IAA-121
	4 Door	TA49	M6ZM-0025-IAV-121
RFLTM	5 Door	TJ81	M6ZM-0038-IAV-121
	2 Door	TA43	FFAL-010Z-CFV-142
	3 Door	TA51	FFAL-014Z-PFV-142
	4 Door	TJ80	FFAL-017Z-PFV-143
	5 Door	TJ80	FFAL-017Z-PFV-143
RFLNS	2 Door	TA43	FFAL-010Z-CFV-142
	3 Door	TA44	FFAL-013Z-PFV-143
	4 Door	TJ80	FFAL-017Z-PFV-143
	5 Door	TJ80	FFAL-017Z-PFV-143
	RFMNS	2 Door	TA50
3 Door		TA48	M6EM-0023-IAA-028
4 Door		TJ77	M6ZM-0025-IAV-078
5 Door		TJ82	M6ZM-0038-IAV-078