

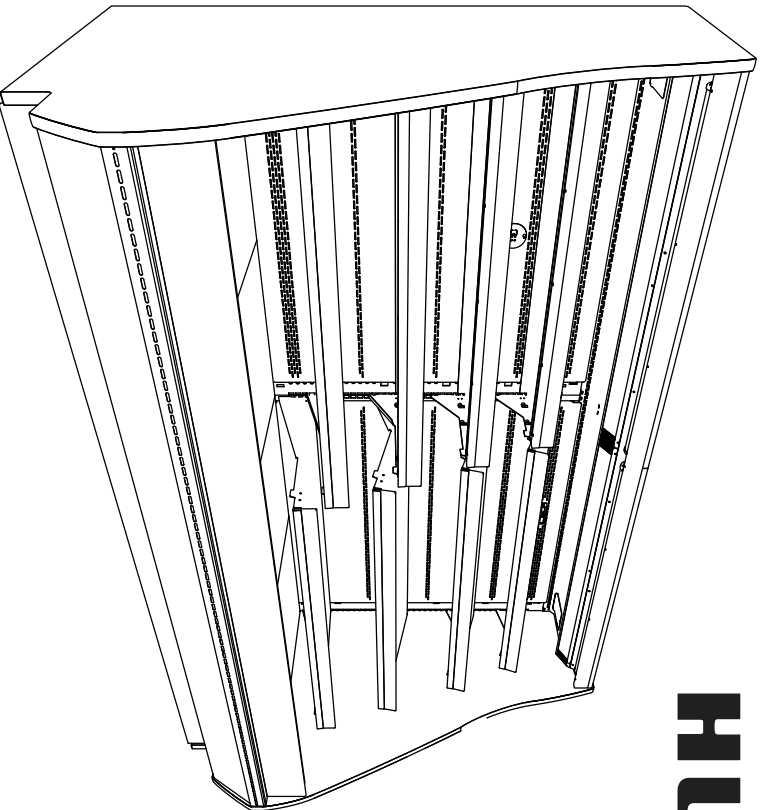
Installation
& Operation
Manual

REV. 0318

HUSSMANN[®]/CHINO

Q5-SS

**DELI SELF SERVICE
CASE**



HUSSMANN[®]

**Q5-SS
DELI
SELF SERVICE
CASE**

INSTALLATION & OPERATION GUIDE

1. General Instructions

HUSSMANN®/CHINO

A publication of HUSSMANN® Chino
13770 Ramona Avenue • Chino, California 91710
(909) 628-8942 FAX
(909) 590-4910
(800) 395-9229

www.hussmann.com

This Booklet Contains Information on:

Q5-SS refrigerated, service deli Multi-Deck merchandiser.

Shipping Damage

All equipment should be thoroughly examined for shipping damage before and during unloading.

This equipment has been carefully inspected at our factory and the carrier has assumed responsibility for safe arrival. If damaged, either apparent or concealed, claim must be made to the carrier.

Apparent Loss or Damage

If there is an *obvious loss or damage*, it must be noted on the freight bill or express receipt and signed by the carrier's agent; otherwise, carrier may refuse claim. The carrier will supply necessary claim forms.

Concealed Loss or Damage

When loss or damage *is not apparent until after all equipment is uncrated*, a claim for concealed damage is made. Make request in writing to carrier for inspection within 15 days, and retain all packaging. The carrier will supply inspection report and required claim forms.

Shortages

Check your shipment for any possible shortages of material. If a shortage should exist and is found to be the responsibility of Hussmann Chino, *notify Hussmann Chino*. If such a shortage involves the carrier, *notify the carrier immediately*, and request an inspection. Hussmann Chino will acknowledge shortages within ten days from receipt of equipment.

Hussmann Chino Product Control

The serial number and shipping date of all equipment has been recorded in Hussmann's files for warranty and replacement part purposes. All correspondence pertaining to warranty or parts ordering must include the serial number of each piece of equipment involved, in order to provide the customer with the correct parts.

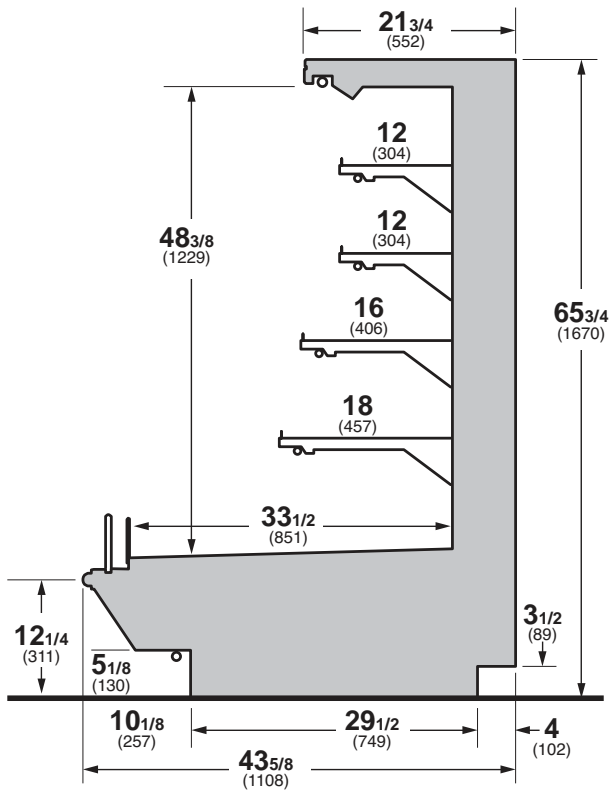
Keep this booklet with the case at all times for future reference.

2. Table of Contents

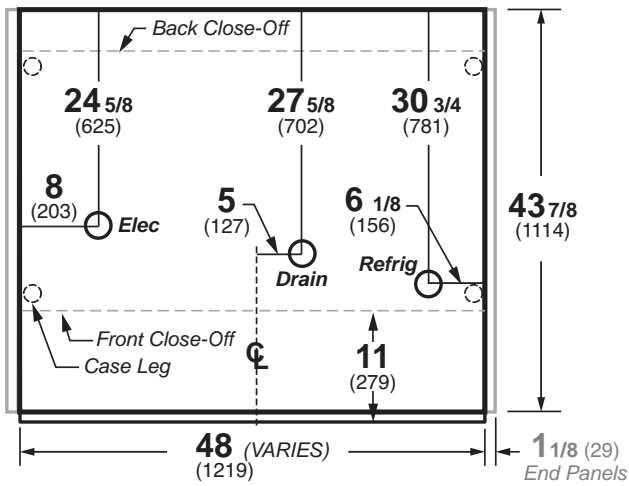
| | |
|---------------------------------|----|
| 1. General Instructions..... | 2 |
| 2. Table of Contents | 3 |
| 3. Cut and Plan Views | 4 |
| 4. Installation..... | 5 |
| 5. Plumbing | 8 |
| 6. Refrigeration | 8 |
| 7. Spec Sheet | 9 |
| 8. Electrical..... | 10 |
| 9. Finishing Touches | 11 |
| 10. User Information..... | 12 |
| 11. Maintenance | 13 |
| 12. Wiring Diagrams index..... | 15 |
| 13. Wiring Diagrams | 16 |
| 14. Troubleshooting Guide | 24 |
| 15. Appendices | 26 |

3. Cut and Plan Views

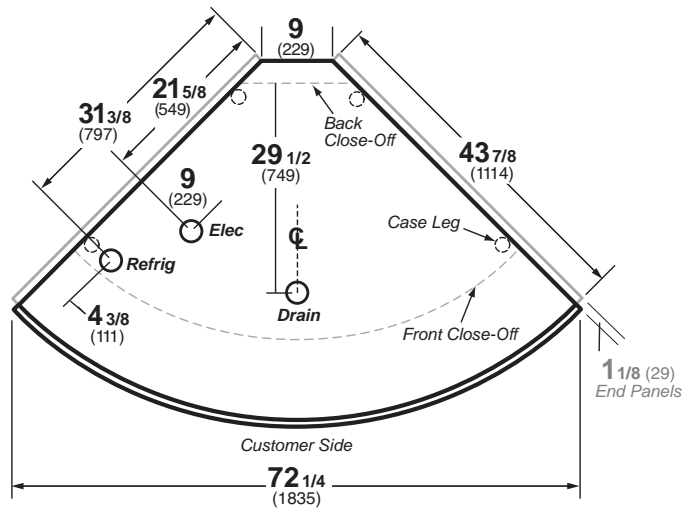
Q5-SS Self Service Multi-deck



Q5-SS Multi-Deck Self-Service



Q5-SS 90° O/S Wedge



Notes:
Contact your sales representative for information on possible availability of additional case lengths.

4. Installation

Location

The refrigerated merchandisers have been designed for use only in air conditioned stores where temperature and humidity are maintained at or below 75°F and 55% relative humidity. DO NOT allow air conditioning, electric fans, ovens, open doors or windows (etc.) to create air currents around the merchandiser, as this will impair its correct operation.

Product temperature should always be maintained at a constant and proper temperature. This means that from the time the product is received, through storage, preparation and display, the temperature of the product must be controlled to maximize life of the product.

Uncrating the Stand

Place the fixture as close to its permanent position as possible. Keep in place, attached case until ready to set/ bolt to adjoining case.

Tighten Glass Screws

Tighten screws along clamshell located on the underside of glass before placing unit into operation.

Exterior Loading

These models have not been structurally designed to support excessive external loading. Do not walk on their tops; This could cause serious personal injury and damage to the fixture.

Setting and Joining

The sectional construction of these models enable them to be joined in line to give the effect of one continuous display.

An Alignment pin kit is supplied with every case and must be used in alignment.

Leveling

IMPORTANT! IT IS IMPERATIVE THAT CASES BE LEVELED FROM FRONT TO BACK AND SIDE TO SIDE PRIOR TO JOINING. A LEVEL CASE IS NECESSARY TO INSURE PROPER OPERATION, WATER DRAINAGE, GLASS ALIGNMENT AND OPERATION OF THE HINGES SUPPORTING THE GLASS. LEVELING THE CASE CORRECTLY WILL SOLVE MOST HINGE OPERATION PROBLEMS.

Note: A. To avoid removing concrete flooring, begin lineup leveling from the highest point of the store floor.

B. When wedges are involved in a lineup, set them first.

All cases were leveled and joined prior to shipment to insure the closest possible fit when cases are joined in the field. When joining, use a carpenters level and adjust legs accordingly. The legs on the Q5-SS are adjustable and do not require shims. Simply screw the leg up or down to adjust height.

1. Using case blueprints, measure off and mark on the floor the exact dimensions of where the cases will sit. Snap chalk line for front and back positions of base rail or pedestal. Mark the location of each joint front and back. Find the highest point throughout the lineup. **FLOORS ARE NORMALLY NOT LEVEL!** Determine the highest point of the floor; cases will be set off this point. All cases in the entire lineup must be brought up to the highest level of the case sitting at the highest point in the lineup. This may be done a few different ways.

- a) Walk the floor looking for any mounds or dips.
- b) Use a string level.
- c) Use a transit.

If a wedge is used in the middle of a lineup, the wedge must be set on the highest point on the floor **FIRST**, with the rest if the lineup being leveled from it. The Q5-SS case has adjustable legs to allow for leveling.

- 2. Set first case over the highest part of the floor and adjust legs so that case is level. Remove side and back leg braces after case is set and joined.
- 3. Set second case within one foot (1') of the first case, and remove leg skids. Keep the supports along the length of the case and far end of case. Level case to the first using the instructions in step one.
- 4. Apply masking tape 1/8" in from end of case on inside and outside rear mullion and body work on both cases to be joined.
- 5. Apply liberal bead of case joint sealant (butyl) to first case. Sealant area is shown using a dotted line in illustration in Step 8. Apply heavy amount to cover entire shaded area.

DO NOT USE PERMAGUM!



**ATTENTION
INSTALLER**

It is the contractor's responsibility to install case(s) according to local construction and health codes.

- 6. Slide second case up to first case snugly. Then level second case to the first case so glass front, bumper and top are flush.



CAUTION

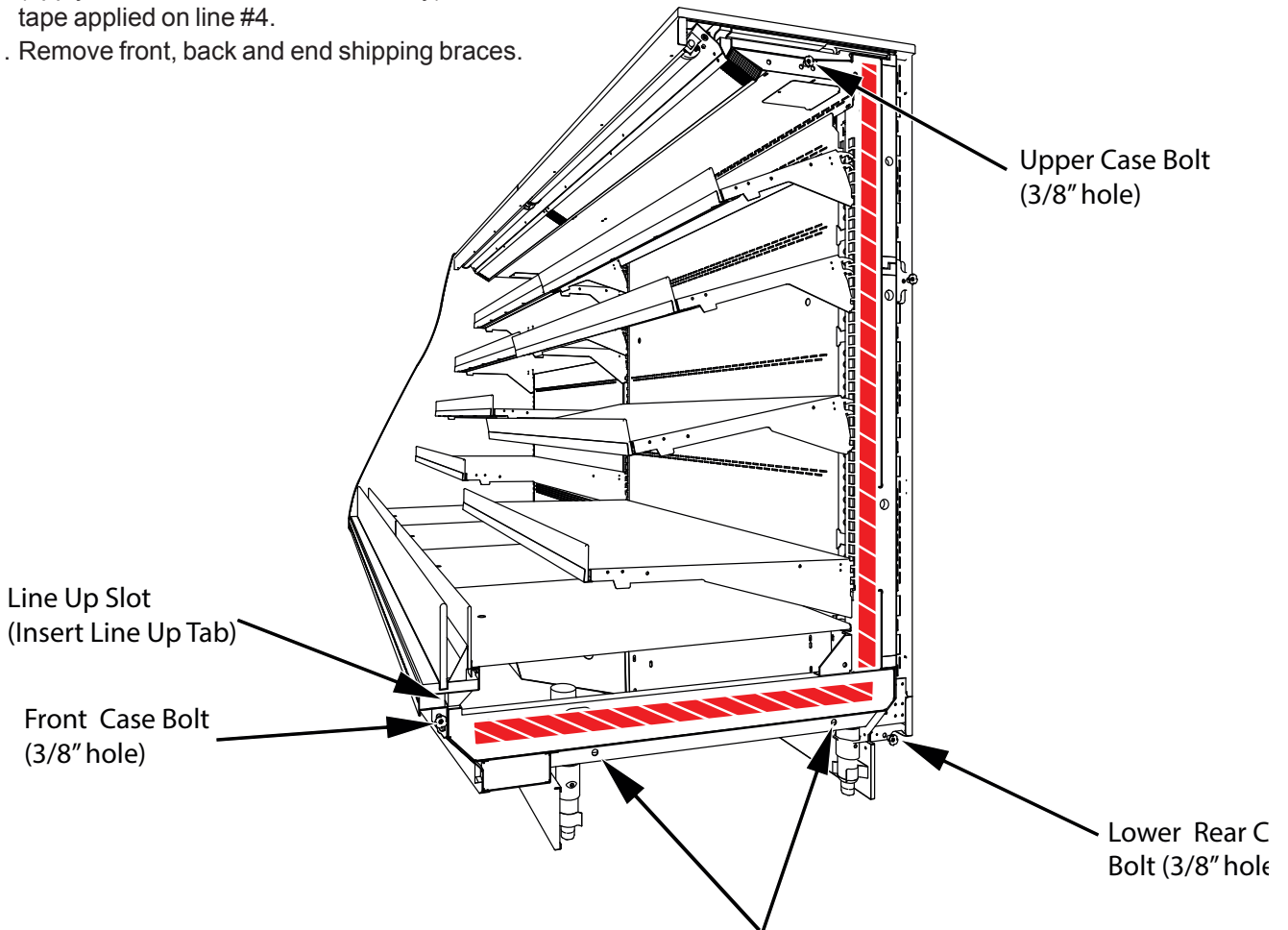
Do not use bolts to pull cases together.

Installation (Cont'd)

7. To compress butyl at joint, use two Jurgenson wood clamps. Make sure case is level from front to back and side to side on inside bulkheads at joint.
8. Attach sections together via the bolts pictured in the illustration below.
9. Apply bead of butyl to top of bulk heads and slip on stainless steel bulkhead cap. Also apply silicone to seam between joints.
10. Use finger to smooth silicone as thin as possible at masking tape on inside and outside of rear mullion (apply additional silicone if necessary). Remove tape applied on line #4.
11. Remove front, back and end shipping braces.

Q5-SS Refrigerated Wedges and Standard Cases

Line up taper pins and line-up plates with holes on adjoining case. Bolting is located at the rear of the case, behind the air discharge wall, and behind the front body panel. The cases are bolted together in front by means of a bracket located behind the front panel. Remove the front panel by unscrewing these bottom screws.



Line Up Tab



Line Up Plate



**Case Bolting
(Multiple 3/8" hole)**



**ATTENTION
INSTALLER**

It is the contractor's responsibility to install case(s) according to local construction and health codes.

Installation (Cont'd)

Bumper Installation Instructions



Step 1: Make sure the aluminum channel and end caps are installed.



Step 2: Use silicone lubricant to help the bumper slide into the channel.



Step 3: Starting on one end: while inserting the bumper, push it up against the end cap to prevent the bumper from shrinking after installation (when it gets cold).



Step 4: As you insert the bumper into the channel with one hand, pull the bumper toward you with the other to open the inside lips. Slowly apply pressure by rolling the bumper into the track.

5. Plumbing

Waste Outlet and P-TRAP

The waste outlet is located off the center of the case on one side allowing drip piping to be run lengthwise under the fixture.

A 1-1/2" P-TRAP and threaded adapter are supplied with each fixture. The P-TRAP must be installed to prevent air leakage and insect entrance into the fixture.

NOTE: PVC-DWV solvent cement is recommended. Follow the Hussmann's instructions.

Installing Condensate Drain

Poorly or improperly installed condensate drains can seriously interfere with the operation of this refrigerator, and result in costly maintenance and product losses. Please follow the recommendations listed below when installing condensate drains to insure a proper installation:

1. Never use pipe for condensate drains smaller than the nominal diameter of the pipe or P-TRAP supplied with the case.
2. When connecting condensate drains, the P-TRAP must be used as part of the condensate drain to prevent air leakage or insect entrance. Store plumbing system floor drains should be at least 14" off the center of the case to allow use of the P-TRAP pipe section. Never use two water seals in series in any one line. Double P-TRAPS in series will cause a lock and prevent draining.
3. Always provide as much down hill slope ("fall") as possible; 1/8" per foot is the preferred minimum. PVC pipe, when used, must be supported to maintain the 1/8" pitch and to prevent warping.
4. Avoid long runs of condensate drains. Long runs make it impossible to provide the "fall" necessary for good drainage.
5. Provide a suitable air break between the flood rim of the floor drain and outlet of condensate drain. 1" is ideal.
6. Prevent condensate drains from freezing:
 - a. Do not install condensate drains in contact with non-insulated suction lines. Suction lines should be insulated with a nonabsorbent insulation material such as Armstrong's Armaflex.
 - b. Where condensate drains are located in dead air spaces (between refrigerators or between a refrigerator and a wall), provide means to prevent freezing. The water seal should be insulated to prevent condensation.

6. Refrigeration

Refrigerant Type

The standard refrigerant will be R-22 unless otherwise specified on the customer order. Check the serial plate on the case for information.

Piping

The refrigerant line outlets are located under the case. Locate first the electrical box, the outlets are then on the same side of the case, but at the opposite end. Insulate suction lines to prevent condensation drippage.

Refrigeration Lines

| <u>Liquid</u> | <u>Suction</u> |
|---------------|----------------|
| 3/8" O.D. | 5/8" O.D. |

NOTE: The standard coil is piped at 1/2" (suction); however, the store tie-in may vary depending on the number of coils and the draw the case has. Depending on the case setup, the connecting point in the store may be 5/8", 7/8", or 1 1/8". Refer to the particular case you are hooking up.

Refrigerant lines should be sized as shown on the refrigeration legend furnished by the store. Install P-TRAPS (oil traps) at the base of all suction line vertical risers.

Pressure drop can rob the system of capacity. To keep the pressure drop to a minimum, keep refrigerant line run as short as possible, using the minimum number of elbows. Where elbows are required, use long radius elbows only.

Control Settings

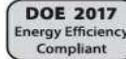
See Q5-SS technical data sheet for the appropriate settings for your merchandiser. Maintain these parameters to achieve near constant product temperatures. Product temperature should be measured first thing in the morning, after having been refrigerated overnight. For all multiplexing, defrost should be time terminated. Defrost times should be as directed in the Q5-SS technical data sheet. The number of defrosts per day should never change. The duration of the defrost cycle may be adjusted to meet conditions present at your location.

7. Spec Sheet



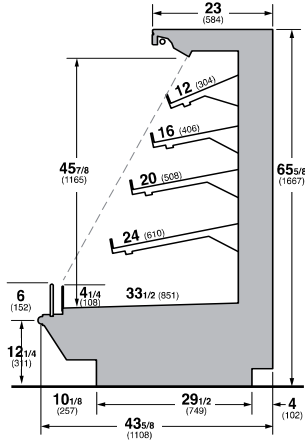
SELF-SERVICE DELI
HUSSMANN - Q5-SS-EC (CHINO)

REVISION DATE 06/13/17

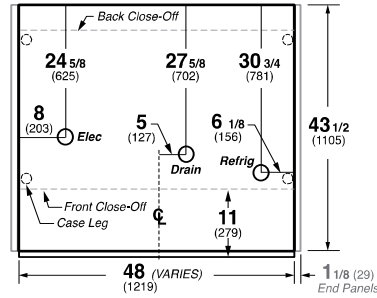


Hussmann refrigerated merchandisers configured for sale for use in the United States meet or surpass the requirements of the DOE 2017 energy efficiency standards.

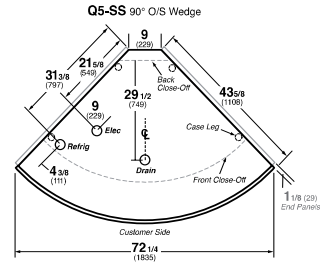
Q5-SSEC
 Self Service Multi-deck with angled shelves



Q5-SS Multi-Deck Self-Service



Notes:
 Contact your sales representative for information on possible availability of additional case lengths.



REFRIGERATION DATA:

| CASE LENGTHS/ WEDGES | CASE USAGE | CAPACITY (BTU/HR/FT) (TOTAL FOR WEDGES)** | | | | TEMPERATURE (°F) | | | VELOCITY (FT/MIN) |
|-------------------------|---------------|---|------|------------|------|--------------------------|-------|---------|----------------------|
| | | RATING CONDITION | | EVAPORATOR | | DISCHARGE AIR ** (°F) | | | |
| | | NSF 7 | AHRI | NSF 7 | AHRI | NSF 7 | NSF 7 | | |
| 3',4',6',8',12' | DELI / BAKERY | 1300 | 1225 | 22 | 24 | 28-32 | 28-32 | 100-150 | |
| 90° OS | DELI / BAKERY | 5800 | 5600 | 22 | 24 | 28-32 | 28-32 | 75-100 | |
| 3',4',6',8',12' | MEAT | 1450 | 1225 | 20 | 24 | 26-30 | 26-30 | 100-150 | |

| CASE LENGTHS | EST. REFG. CHRG. R404A (LBS) | 20°F GLYCOL 6° RISE | |
|--------------|------------------------------------|------------------------|-----|
| | | GPM | PSI |
| 3' | 0.5 | 1.4 | 2.9 |
| 4' | 0.7 | 1.8 | 5.3 |
| 6' | 0.8 | 2.7 | 6.1 |
| 8' | 1.1 | 3.5 | 3.5 |
| 12' | 1.4 | 5.1 | 5.4 |
| 90° OS | 0.4 | 1.8 | 4.2 |

**FRONT DISCHARGE AIR MEASURED INSIDE AIR CURTAIN HONEYCOMB

***REFRIGERATION NOTES:

- 1) BTU'S INCLUDE CANOPY LIGHTS. ADD 10 BTUS/SHELF/FT FOR EACH SHELF (LIGHT)
- 2) IF WEDGES ARE IN LINEUP, STRAIGHT CASES IN LINEUP SHOULD BE SET TO 20°F EVAP
- 3) IF STRAIGHT CASES ARE SET TO 20°F EVAP, ADD 20 BTU/HR/FT TO CAPACITY AND REDUCE DA BY 2°F
- 4) AHRI 1200 RATING POINT FOR ENERGY CONSUMPTION COMPARISON ONLY
- 5) USE DEW POINT FOR HIGH GLIDE REFRIGERANTS. CARE SHOULD BE TAKEN TO USE THE DEW POINT IN P/T TABLES FOR MEASURING AND ADJUSTING SUPERHEAT. ADJUST EVAPORATOR PRESSURE AS NEEDED TO MAINTAIN THE DISCHARGE AIR TEMPERATURE SHOWN.
- 6) RATING CONDITION IS NSF TYPE I, 75°F / 55% RELATIVE HUMIDITY

REFRIGERATION DATA CONTINUED:

| ELEC. THERMOSTAT / AIR SENSOR SETTINGS | | DEFROST TYPE | TIME (MIN) | DEFROST FREQUENCY (#/DAY) | TERM TEMP (°F) COIL ONLY | DRIP TIME | DEFROST WATER (LBS/DAY/FT) |
|---|----------------|-----------------|---------------|---------------------------------|--------------------------------------|--------------|----------------------------------|
| USAGE | CUT IN (°F) | | | | | | |
| DELI / BAKERY | 33 | 30 | OFF TIME | 20 | 12 | 52 | 7.2 |
| MEAT | 31 | 28 | | | | 52 | 8 |

| END PANEL WIDTH KEY | | |
|---------------------|------------------------------|-----------------------------|
| # OF END PNLS | END PNL WIDTH (IN.) | TOTAL ADDED LENGTH (IN.) |
| 1 | 1.125 | 1.125 |
| 2 | 1.125 | 2.25 |

ELECTRICAL DATA: STANDARD FANS, HEATERS, LED LIGHTS (115 VOLT)

| CASE LENGTH | EVAPORATOR FANS | | | | | EVAPORATOR FANS; REAR STORAGE | | | CANOPY LIGHTS LED | | OPTIONAL LED SHELF LIGHTS | | MAX. LED LOAD (W/ ALL OPTIONS) | | ANTI-SWEAT HEATERS (ON FAN CIRCUIT) | | CONVENIENCE OUTLETS (OPTIONAL) | | |
|-------------|----------------------|------------------------|--------------------|------|-------|----------------------------------|------|-------|----------------------|-------|---------------------------------|-------|--------------------------------------|-------|---|-------|-----------------------------------|-------|------|
| | # OF EVAP FANS | BLADE DIA. (IN.) | BLADE PITCH (°) | AMPS | WATTS | # OF FANS | AMPS | WATTS | AMPS | WATTS | AMPS | WATTS | AMPS | WATTS | AMPS | WATTS | # OUTLETS | VOLTS | AMPS |
| 3' | 2 | 6.7 | 25 | 7.0 | 48 | 1.0 | 0.3 | 9 | 0.2 | 19 | 0.3 | 31 | 0.44 | 50 | N/A | N/A | N/A | N/A | N/A |
| 4' | 2 | 6.7 | 25 | 0.6 | 48 | 1.0 | 0.3 | 9 | 0.2 | 27 | 0.4 | 41 | 0.59 | 68 | N/A | N/A | N/A | N/A | N/A |
| 6' | 4 | 6.7 | 25 | 1.2 | 96 | 1.0 | 0.3 | 9 | 0.3 | 39 | 0.5 | 62 | 0.87 | 100 | N/A | N/A | N/A | N/A | N/A |
| 8' | 4 | 6.7 | 25 | 1.2 | 96 | 1.0 | 0.3 | 9 | 0.5 | 54 | 0.7 | 82 | 1.18 | 136 | N/A | N/A | N/A | N/A | N/A |
| 12' | 6 | 6.7 | 25 | 1.7 | 144 | 1.0 | 0.3 | 9 | 0.7 | 81 | 1.1 | 124 | 1.78 | 204 | N/A | N/A | N/A | N/A | N/A |
| 90° OS | 2 | 6.7 | 30 | 0.6 | 48 | 1.0 | NA | NA | 0.1 | 16 | 0.3 | 38 | 0.47 | 54 | N/A | N/A | N/A | N/A | N/A |

OPTIONAL HIGH OUTPUT LED LIGHTS (115 VOLT)

| CASE LENGTH | CANOPY LIGHTS H.O. LED | | OPTIONAL SHELF | | MAX. H.O. LED LOAD | |
|-------------|------------------------------|-------|----------------|-------|-----------------------|-------|
| | AMPS | WATTS | AMPS | WATTS | AMPS | WATTS |
| 3' | 0.21 | 24 | 0.52 | 60 | 0.72 | 83 |
| 4' | 0.28 | 32 | 0.62 | 71 | 0.90 | 103 |
| 6' | 0.41 | 47 | 1.04 | 119 | 1.45 | 167 |
| 8' | 0.56 | 64 | 1.24 | 142 | 1.79 | 206 |
| 12' | 0.83 | 96 | 1.86 | 213 | 2.69 | 309 |
| 90° OS | N/A | N/A | N/A | N/A | N/A | N/A |

8. Electrical

Wiring Color Code

| STANDARD CASE WIRE COLOR CODE CODIGO DE COLORES DE LOS ALAMBRES PARA LAS VITRINAS ESTANDAR CODE COULEUR POUR FILS DE BOITIER NORMALISE | | |
|--|-------------------------------|------------------------------|
| COLOR DESCRIPTION | DESCRIPCION | DESCRIPTION |
| GROUND | TIERRA MASA | MASSE |
| ANTI-SWEAT | ANTICONDENSACION | ANTI-SURTEMENT |
| LIGHTS | LUCES | ECLAIRAGE |
| RECEPTACLES | ENCHUFES | PRISE DE COURANT |
| T-STAT/SOLENOID 230VAC | TERMOSTATO/SOLENOIDE (230VAC) | SOUPAPE A SOLENOID (230 VAC) |
| T-STAT/SOLENOID 115VAC | TERMOSTATO/SOLENOIDE (115VAC) | SOUPAPE A SOLENOID (115 VAC) |
| T-STAT/SOLENOID 24VAC | TERMOSTATO/SOLENOIDE (24VAC) | SOUPAPE A SOLENOID (24 VAC) |
| FAN MOTORS | VENTILADORES | VENTILATEUR |
| BLUE CONDENSING UNIT | UNIDAD DE CONDENSACION | UNITE DE CONDENSATION |

USE COPPER CONDUCTORS ONLY
UTILISEZ LES CONDUCTEURS DE CUIVRE SEULEMENT
UTILICE LOS CONDUCTORES DE COBRE SOLAMENTE
 430-01-0338 R101003

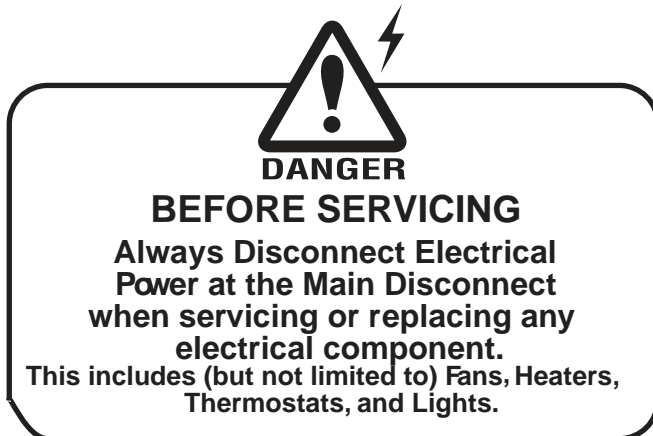
CASE MUST BE GROUNDED

NOTE: Refer to label affixed to case to determine the actual configuration as checked in the "TYPE INSTALLED" boxes.

Electrical Circuit Identification

Standard lighting for all refrigerated models will be full length LED lamps located within the case at the top. The switch controlling the lights, the plug provided for digital scale, and the thermometer are located at the rear of the case mullion.

The receptacle that is provided on the exterior back of these models is intended for computerized scales with a five amp maximum load, not for large motors or other high wattage appliances. It should be wired to a dedicated circuit.



Field Wiring and Serial Plate Amperage

Field Wiring must be sized for component amperes printed on the serial plate. Actual ampere draw may be less than specified. Field wiring from the refrigeration control panel to the merchandisers is required for refrigeration thermostats. Case amperes are listed on the wiring diagram, but always check the serial plate.

LED Driver Location

Drivers are located within the access panel that runs the length of the rear of the case.

ASHRAE Color Code

NOTE: All other manufacturers have no standard sensor codes.

| Case Control Systems SENSOR COLOR | | | |
|-----------------------------------|-------|-------------|-------------|
| Manufacturer ® > | | EIL | CPC |
| Location | | | |
| Coil Inlet | Color | Blue | Blue |
| | Part# | 225-01-1755 | 225-01-3255 |
| Coil Outlet | Color | Red | Red |
| | Part# | 225-01-1757 | 225-01-3123 |
| Discharge Air | Color | Green | Green |
| | Part# | 225-01-1756 | 225-01-3260 |
| Return Air | Color | Purple | Green |
| | Part# | 225-01-1758 | 225-01-3260 |
| Defrost Term. | Color | White | Orange |
| | Part# | 225-01-0650 | 225-01-3254 |
| Liquid Line | Color | White | Blue |
| | Part# | 225-01-0650 | 225-01-3255 |

9. Finishing Touches

Bumper Installation Tips

1. Start to attach the bumper at one end of the lineup, preferably on a straight case.
2. Push the end of the bumper into the bumper channel firmly. This may be difficult if bumper is cold.
3. Bend the bumper backwards to open and guide it forward onto the bumper channel.
4. An inside bumper miter must be cut on wedges.
5. Loose ends on miters must be anchored with screws on the bottom edge.
6. The top and bottom edges of the bumper must be firmly seated into the retainer by applying with a rubber mallet (not by hand).
7. The bumper should be struck by the mallet at a slight angle that forces the bumper back into itself to prevent stretching. The installation can be made easier by applying a paraffin block to the retainer grooves.

Installing Splashguard

After merchandisers have been leveled and joined, and all drip piping, electrical and refrigeration work has been completed, install the splashguards. Splashguards may be sealed to the floor using a vinyl cove base trim. The size of trim needed will depend on how much the floor is out of level.

NOTE: The splashguard must be removable to allow access to components behind it.

1. Remove all dirt, wax, debris, etc. from the area of the splashguard to ensure a secure adhesion.
2. Apply a good contact cement to the trim, allowing a proper dry time.
3. Install trim to the splashguard so that it is flush with the floor.

10. User Information

Stocking

Improper temperature and lighting will cause serious product loss. Discoloration, dehydration and spoilage can be controlled with proper use of the equipment and handling of product. Product temperature should always be maintained at a constant and proper temperature. This means that from the time the product is received, through storage, preparation and display, the temperature of the product must be controlled to maximize life of the product. Hussmann cases were not designed to “heat up” or “cool down” product - but rather to maintain an item’s proper temperature for maximum shelf life. To achieve the protection required always:

1. Minimize processing time to avoid damaging temperature rise to the product. Product should be at proper temperature.
2. Keep the air in and around the case area free of foreign gasses and fumes or food will rapidly deteriorate.
3. Maintain the display merchandisers temperature controls as outlined in the refrigerator section of this manual.
4. Do not place any product into these refrigerators until all controls have been adjusted and they are operating at the proper temperature. Allow merchandiser to operate a minimum of one (1) hour before stocking with any product.
5. When stocking, never allow the product to extend beyond the recommended load limit. Air discharge and return air fl ue must be unobstructed at all times to provide proper refrigeration.
6. Avoid the use of supplemental fl ood or spot lighting. Display light intensity has been designed for maximum visibility and product life at the factory. The use of higher output fl uorescent lamps (H.O. and V.H.O.), will shorten the shelf life of the product.

Case Cleaning

Long life and satisfactory performance of any equipment are dependent upon the care given to it. To insure long life, proper sanitation and minimum maintenance costs, the refrigerator should be thoroughly cleaned frequently. SHUT OFF FAN DURING CLEANING PROCESS. It can be unplugged within the case, or shut off entire case at the source. The interior bottom may be cleaned with any domestic soap or detergent based cleaners. Sanitizing solutions will not harm the interior bottom, however, these solutions should always be used according to the Hussmann’s directions. It is essential to establish and regulate cleaning procedures. This will minimize bacteria causing discoloration which leads to degraded product appearance and significantly shortening product shelf life.

Soap and hot water are not enough to kill this bacteria. A sanitizing solution must be included with each cleaning process to eliminate this bacteria.

1. Scrub thoroughly, cleaning all surfaces, with soap and hot water.
2. Rinse with hot water, but do not flood.
3. Apply the sanitizing solution according to Hussmann’s directions.
4. Rinse thoroughly.
5. Dry completely before resuming operation.

Cleaning Glass and Mirrors

Only use a soft cloth and mild glass cleaner for cleaning any glass or mirrored components. Be sure to rinse and/or dry completely.

Never use hot water on cold glass surfaces! It may shatter and cause serious injury! Allow glass surfaces to warm first.

Non-Glare Glass

The high optical clarity of this glass is possible due to special coatings on the glass surface itself. To preserve this coating and the optical clarity, keep the glass clean.

Water is the only solution recommended for use in cleaning non-glare glass. The damage to the glass from improper, caustic solutions is irreparable.

In addition to cleaning the glass with the recommended product, there are precautions that should be taken when working and cleaning the inside of the case.

- When cleaning the inside of the cases, we recommend that the glass be fully opened and covered to prevent solutions from splashing onto the glass and ruining the coating on the inside.

Plexiglass and Acrylic Care

Improper cleaning not only accelerates the cleaning cycle but also degrades the quality of this surface. Normal daily buffing motions can generated static cling attracting dust to the surface. Incorrect cleaning agents or cleaning cloths can cause micro scratching of the surface, causing the plastic to haze over time.

Cleaning

Hussmann recommends using a clean damp chamois, or a paper towel marked as “dust and abrasive free” with **210[®] Plastic Cleaner and Polish** available by calling Sumner Labs at **1-800-542-8656**. Hard, rough cloths or paper towels will scratch the acrylic and should not be used.

Antistatic Coatings

The **210[®]** has proven to be very effective in not only cleaning and polishing the Plexiglass surface, but also providing antistatic and anti-fog capabilities. This product also seals pores and provides a protective coating.

11. Maintenance



IMPORTANT INFORMATION

Please read these instructions completely before beginning case installation



BEFORE SERVICING
ALWAYS DISCONNECT ELECTRICAL POWER AT THE MAIN DISCONNECT WHEN SERVICING OR REPLACING ANY ELECTRICAL COMPONENT.
This includes (but not limited to) Fans, Heaters Thermostats, and Lights



PRECAUTION CLEANING PRECAUTIONS

When cleaning:

- Do not use high pressure water hoses
- Do not introduce water faster than waste outlet can drain
- NEVER ON A SELF CONTAINED UNIT WITH AN EVAPORATOR FAN
- NEVER USE A CLEANING OR SANITIZING SOLUTION THAT HAS AN OIL BASE (these will dissolve the butyl sealants) or an AMMONIA BASE (this will corrode the copper components of the case)

To preserve the attractive finish:

- DO USE WATER AND A MILD DETERGENT FOR THE EXTERIOR ONLY
- DO NOT USE ABRASIVES OR STEEL WOOL SCOURING PADS (these will mar the finish)

Glass Replacement and Adjustment Instructions

In order to replace or adjust the glass, the glass must be placed in the raised position. The underside of the clamp is exposed, revealing the tightening screws. By turning these screws counterclockwise 1/4 turn each, the glass will be loosened for either removal or adjustment.

Note: Do not overtighten the screws since damage may occur.

Evaporator Fans

The evaporator fans are located at the center front of these merchandisers directly beneath the display pans. *Should fans or blades need servicing, always replace fan blades with the raised embossed side of the blade TOWARD THE MOTOR.*

Copper Coils

The copper coils used in Hussmann merchandisers may be repaired in the field. Materials are available from local refrigeration wholesalers.

Hussmann recommends using #15 Sil-Fos for repairs.

Tips and Troubleshooting

Before calling for service, check the following:

1. Check electrical power supply to the equipment for connection.
2. Check fixture loading. Overstocking case will affect its proper operation.
3. If frost is collecting on fixture and/or product, check that Humidity Control is working properly, and that no outside doors or windows are open - allowing moisture to enter store.

Maintenance (Cont'd)

Stainless Steel Cleaning and Care

There are three basic things, which can break down your stainless steel's passivity layer and allow corrosion.

1. Mechanical Abrasion

Mechanical Abrasion means those things that will scratch the steel's surface. Steel Pads, wire Brushes, and Scrapers are prime examples.

2. Water

Water comes out of our tap in varying degrees of hardness. Depending on what part of the country you live in, you may have hard or soft water. Hard water may leave spots. Also, when heated, hard water leaves deposits behind that if left to sit, will break down the passive layer and rust your stainless steel. Other deposits from food preparation and service must be properly removed.

3. Chlorides

Chlorides are found nearly everywhere. They are in water, food and table salt. One of the worst perpetrators of chlorides can come from household and industrial cleaners.

Don't Despair! Here are a few steps that can help prevent stainless steel rust.

1. Use the Proper Tools

When cleaning your stainless steel products, take care to use non-abrasive tools. Soft Clothes and plastic scouring pads will NOT harm the steel's passive layer. Stainless steel pads can also be used but the scrubbing motion must be in the same direction of the manufacturer's polishing marks.

2. Clean With the Polish Lines

Some stainless steels come with visible polishing lines or "grain". When visible lines are present, you should ALWAYS scrub in a motion that is parallel to them. When the grain cannot be seen, play it safe and use a soft cloth or plastic scouring pad.

3. Use Alkaline, Alkaline Chlorinated or Non-chloride Containing Cleaners

While many traditional cleaners are loaded with chlorides, the industry is providing an ever increasing choice of non-chloride cleaners. If you are not sure of your cleaner's chloride content contact your cleaner supplier. If they tell you that your present cleaner contains chlorides, ask for an alternative. Also, avoid cleaners containing quaternary salts as they also can attack stainless steel & cause pitting and rusting.

4. Treat your Water

Though this is not always practical, softening hard water can do much to reduce deposits. There are certain filters that can be installed to remove distasteful and corrosive elements. Salts in a

properly maintained water softener are your friends. If you are not sure of the proper water treatment, call a treatment specialist.

5. Keep your Food Equipment Clean

Use alkaline, alkaline chlorinated or non-chlorinated cleaners at recommended strength. Clean frequently to avoid build-up of hard, stubborn stains. If you boil water in your stainless steel equipment, remember the single most likely cause of damage is chlorides in the water. Heating cleaners that contain chlorides has a similar effect.

6. RINSE, RINSE, RINSE

If chlorinated cleaners are used you must rinse, rinse, rinse and wipe dry immediately. The sooner you wipe off standing water, especially when it contains cleaning agents, the better. After wiping the equipment down, allow it to air dry for the oxygen helps maintain the stainless steel's passivity film.

7. Never Use Hydrochloric Acid (Muriatic Acid) on Stainless Steel

8. Regularly Restore/Passivate Stainless Steel

12.Wiring Diagrams Index

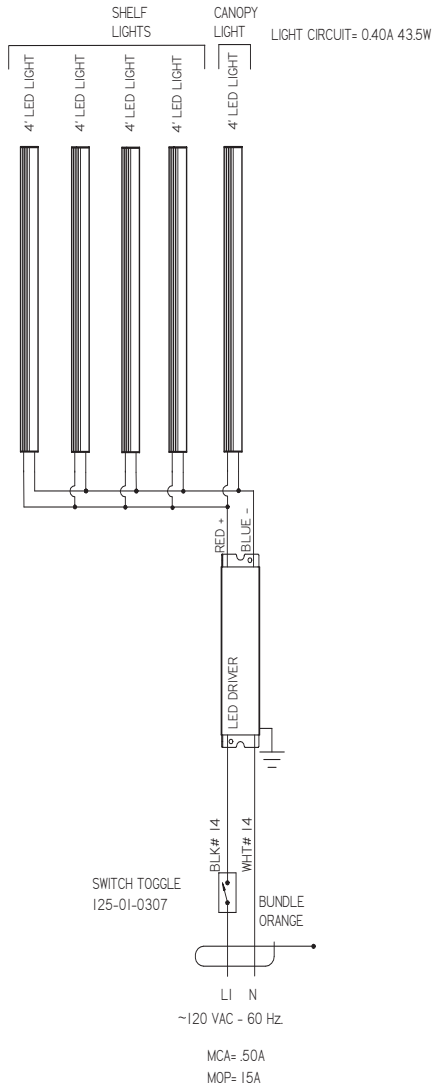
| | | | |
|-------------------------|-------------|-----|---------|
| Q5-SS & EC-R | Q5-SS-4R | 4' | 3018900 |
| | Q5-SS-5R | 5' | 3018901 |
| | Q5-SS-6R | 6' | 3018902 |
| | Q5-SS-8R | 8' | 3018903 |
| | Q5-SS-10R | 10' | 3018904 |
| | Q5-SS-12R | 12' | 3018905 |
| | Q5-SS-450-R | | 3018906 |
| | Q5-SS-900-R | | 3018907 |

13. Wiring Diagram

| REVISION HISTORY | | | | | | |
|------------------|-----------------|------------|------------------------|--------|---------|---------|
| REV | ECN | DATE | REVISION DESCRIPTION | REV BY | CHKD BY | APPR BY |
| A | ECN-CAP-0004991 | 2016/11/07 | RELEASED TO PRODUCTION | CB | CB | CB |

CIRCUIT #1
LOADING

| | |
|----|------|
| | 120V |
| LI | 1.0 |
| | |
| | |

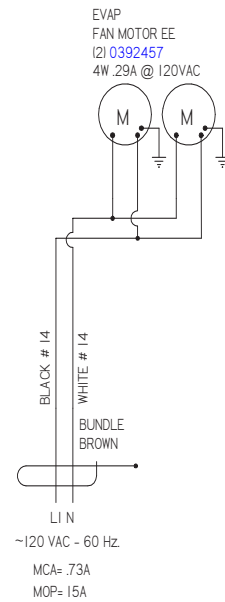
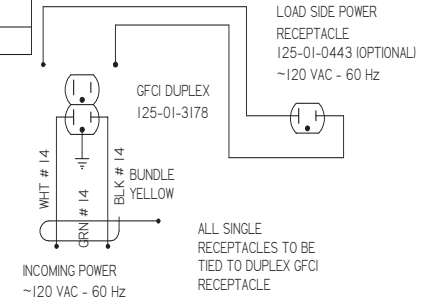


LIGHT CIRCUIT= 0.40A 43.5W

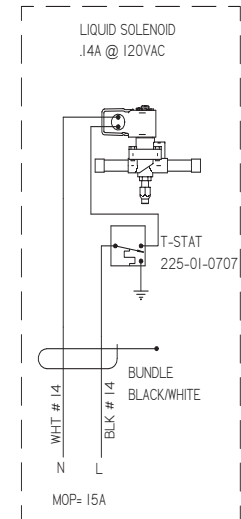
CIRCUIT # 2 (optional)

| LOADING | |
|---------|-------|
| | 120 V |
| LI | 15.0 |
| | |
| | |

NOTE FOR GFCI PROTECTION: IF MORE THAN ONE SINGLE RECEPTACLE IS USED IN CONJUNCTION WITH A GFCI DUPLEX RECEPTACLE "DOWNSTREAM" ON THE LOAD SIDE, THE SUM OF ALL RECEPTACLES SHOULD NOT BE MORE THAN 15A



OPTIONAL



NOTES:
CASE MUST BE GROUNDED
WHEN PASSING WIRES THROUGH METAL HOLES A GROMMET MUST BE USED

| | |
|--|------------------------|
| MATERIAL - N/A | |
| DATE DRAWN - 11-7-16 | |
| DRAWN BY - CRAIG BOOREY | ECN-CAP-0004991 |
| REVIEWED BY - CRAIG BOOREY | REF - |
| APPROVED BY - CRAIG BOOREY | SHEET 1 OF 1 |
| UNLESS OTHERWISE SPECIFIED DIMENSIONS ARE IN INCHES. | |
| TOLERANCES ARE: | THIRD ANGLE PROJECTION |
| DECIMALS .XX ±.03, .XXX ±.010 | |
| ANGLES ± 2° | |

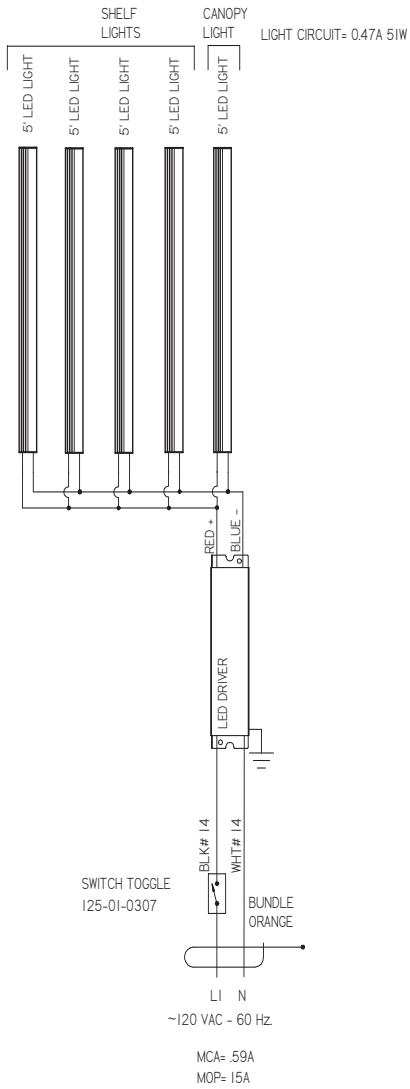
| | |
|------------------|---|
| HUSSMANN | |
| DIAGRAM-Q5-SS-4R | |
| 3018900 | A |

HUSSMANN_Q5P_11 SHEET SIZE D

CIRCUIT #1
LOADING

| | |
|------|----|
| 120V | |
| LI | LI |
| | |
| | |

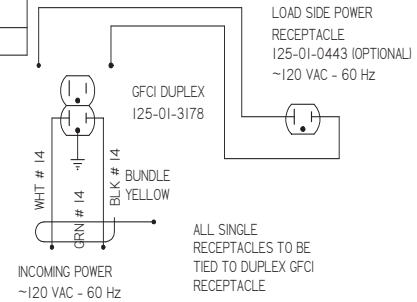
| REVISION HISTORY | | | | | | |
|------------------|-----------------|------------|------------------------|--------|---------|---------|
| REV | ECN | DATE | REVISION DESCRIPTION | REV BY | CHKD BY | APPR BY |
| A | ECN-CAP-0004991 | 2016/11/07 | RELEASED TO PRODUCTION | CB | CB | CB |



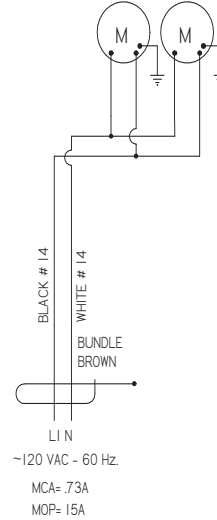
CIRCUIT # 2 (optional)

| | |
|---------|--------|
| LOADING | |
| 120 V | |
| LI | LI 5.0 |
| | |
| | |

NOTE FOR GFCI PROTECTION: IF MORE THAN ONE SINGLE RECEPTACLE IS USED IN CONJUNCTION WITH A GFCI DUPLEX RECEPTACLE 'DOWNSTREAM' ON THE LOAD SIDE, THE SUM OF ALL RECEPTACLES SHOULD NOT BE MORE THAN 15A

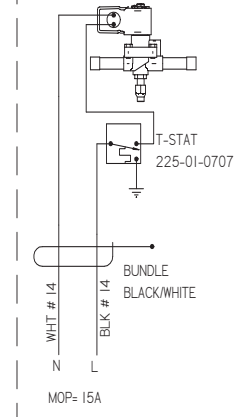


EVAP
FAN MOTOR EE
(2) 0392457
4W .29A @ 120VAC



OPTIONAL

LIQUID SOLENOID
.14A @ 120VAC



NOTES:
CASE MUST BE GROUNDED
WHEN PASSING WIRES THROUGH METAL HOLES A GROMMET MUST BE USED

| | |
|--|------------------------|
| MATERIAL - N/A | |
| DATE DRAWN - 11-7-16 | |
| DRAWN BY - CRAIG BOOREY | ECN-CAP-0004991 |
| REVIEWED BY - CRAIG BOOREY | REF - |
| APPROVED BY - CRAIG BOOREY | SHEET 1 OF 1 |
| UNLESS OTHERWISE SPECIFIED DIMENSIONS ARE IN INCHES. | |
| TOLERANCES ARE: DECIMALS .XX ±.03, .XXX ±.010 | THIRD ANGLE PROJECTION |

HUSSMANN
DIAGRAM-Q5-SS-5R

3018901

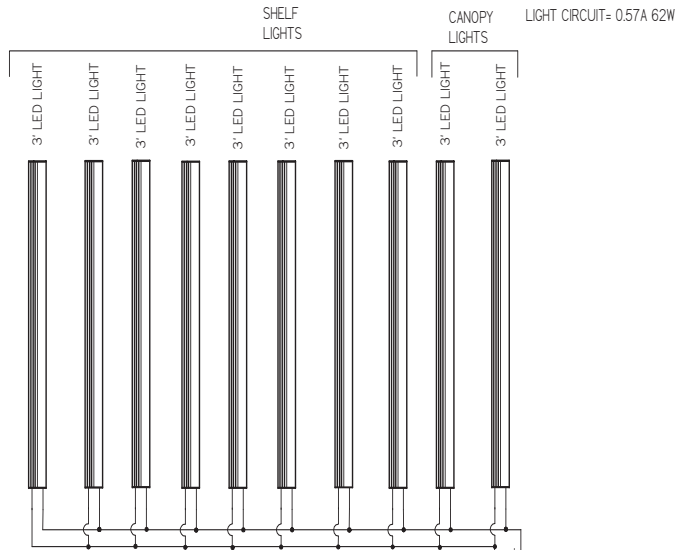
A

HUSSMANN_GFCI-11 SHEET SIZE D

CIRCUIT #1
LOADING

| | |
|---------|--|
| 120V | |
| LI 1.73 | |
| | |
| | |

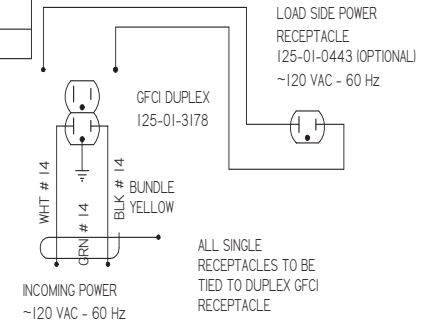
| REVISION HISTORY | | | | | | |
|------------------|-----------------|-----------|------------------------|--------|---------|---------|
| REV | ECN | DATE | REVISION DESCRIPTION | REV BY | CHKD BY | APPR BY |
| A | ECN-CAP-0004991 | 2016/1/07 | RELEASED TO PRODUCTION | CB | CB | CB |



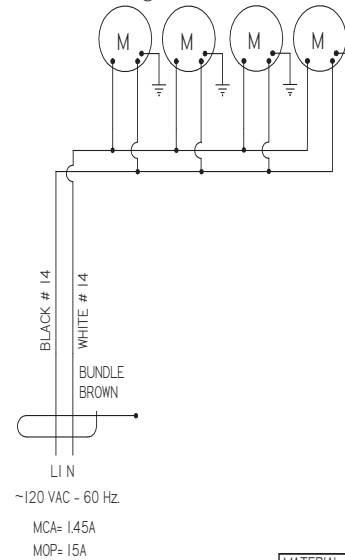
CIRCUIT # 2 (optional)

| | |
|---------|--|
| LOADING | |
| 120 V | |
| LI 15.0 | |
| | |
| | |

NOTE FOR GFCI PROTECTION: IF MORE THAN ONE SINGLE RECEPTACLE IS USED IN CONJUNCTION WITH A GFCI DUPLEX RECEPTACLE "DOWNSTREAM" ON THE LOAD SIDE, THE SUM OF ALL RECEPTACLES SHOULD NOT BE MORE THAN 15A

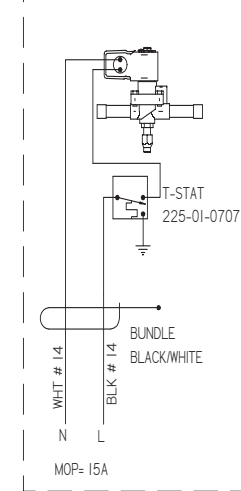


EVAP
FAN MOTOR EE
(4) 0392457
4W .29A @ 120VAC

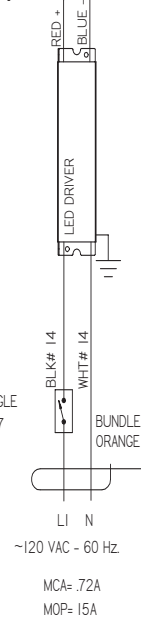


OPTIONAL

LIQUID SOLENOID
.14A @ 120VAC



SWITCH TOGGLE
125-01-0307



NOTES:
CASE MUST BE GROUNDED
WHEN PASSING WIRES THROUGH METAL HOLES A GROMMET MUST BE USED

| | |
|--|------------------------|
| MATERIAL - N/A | |
| DATE DRAWN - 11-7-16 | |
| DRAWN BY - CRAIG BOOREY | ECN-CAP-0004991 |
| REVIEWED BY - CRAIG BOOREY | REF - |
| APPROVED BY - CRAIG BOOREY | SHEET 1 OF 1 |
| UNLESS OTHERWISE SPECIFIED DIMENSIONS ARE IN INCHES. | |
| TOLERANCES ARE: DECIMALS XX ±0.03, XXX ±0.10 ANGLES ± 2° | THIRD ANGLE PROJECTION |

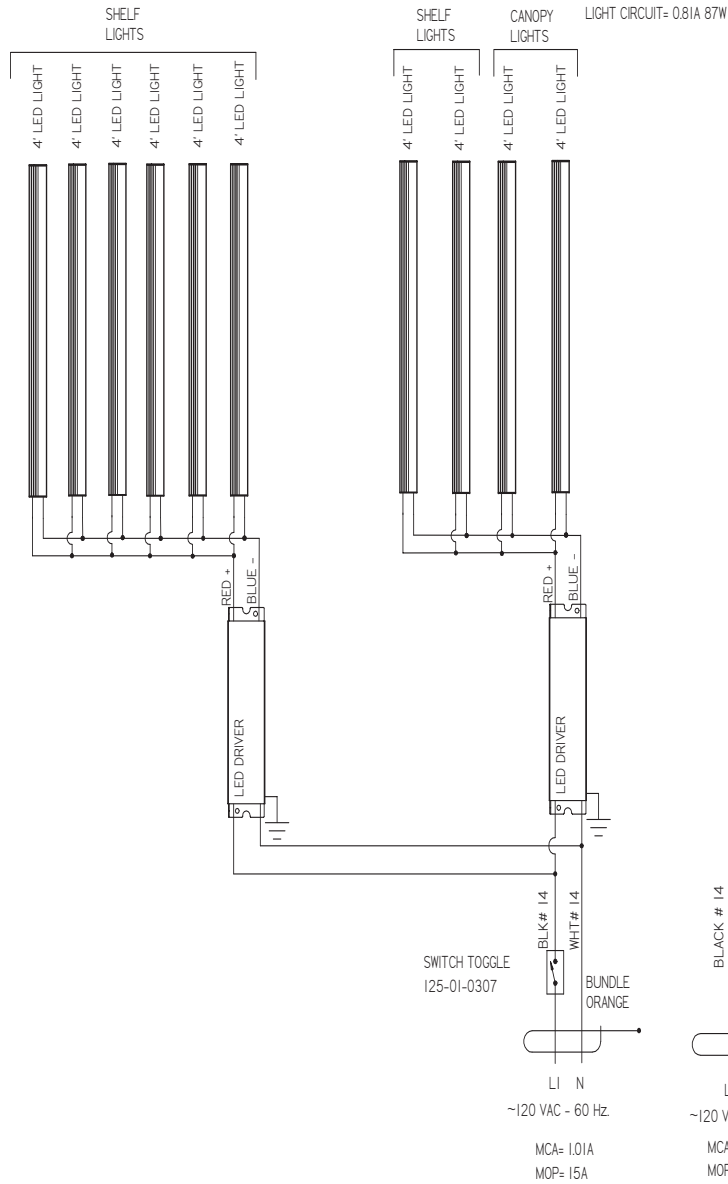
HUSSMANN
DIAGRAM-Q5-SS-6R

3018902 A

HUSSMANN_G05-11 SHEET SIZE D

CIRCUIT #1
LOADING

| | |
|---------|--|
| 120V | |
| LI 1.97 | |
| | |
| | |

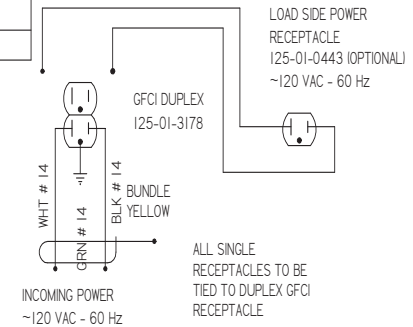


| REVISION HISTORY | | | | | | |
|------------------|-----------------|------------|------------------------|--------|---------|---------|
| REV | EDN | DATE | REVISION DESCRIPTION | REV BY | CHKD BY | APPR BY |
| A | ECN-CAP-0004991 | 2016/11/07 | RELEASED TO PRODUCTION | CB | CB | CB |
| | | | | | | |

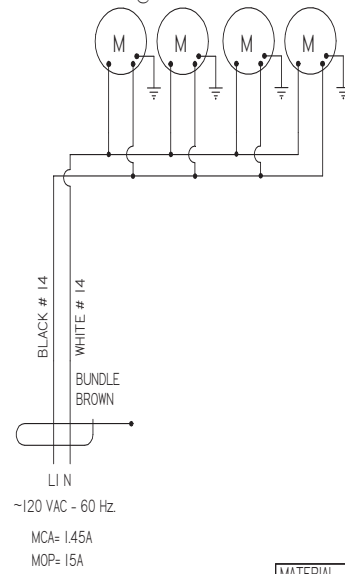
CIRCUIT # 2 (optional)

| | |
|---------|--|
| LOADING | |
| 120 V | |
| LI 15.0 | |
| | |
| | |

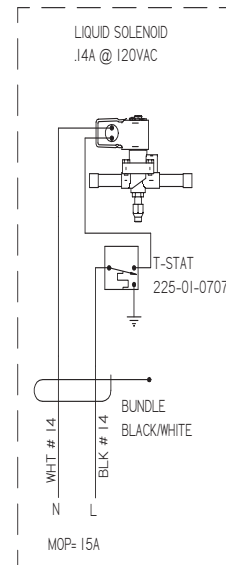
NOTE FOR GFCI PROTECTION: IF MORE THAN ONE SINGLE RECEPTACLE IS USED IN CONJUNCTION WITH A GFCI DUPLEX RECEPTACLE "DOWNSTREAM" ON THE LOAD SIDE, THE SUM OF ALL RECEPTACLES SHOULD NOT BE MORE THAN 15A



EVAP FAN MOTOR EE
141 0392457
4W 29A @ 120VAC



OPTIONAL



NOTES:
CASE MUST BE GROUNDED
WHEN PASSING WIRES THROUGH METAL HOLES A GROMMET MUST BE USED

| | |
|--|------------------------|
| MATERIAL - N/A | |
| DATE DRAWN - 11-7-16 | |
| DRAWN BY - CRAIG BOOREY | ECN-CAP-0004991 |
| REVIEWED BY - CRAIG BOOREY | REF - |
| APPROVED BY - CRAIG BOOREY | SHEET 1 OF 1 |
| UNLESS OTHERWISE SPECIFIED DIMENSIONS ARE IN INCHES. | |
| TOLERANCES ARE: DECIMALS .XX ±.03, .XXX ±.010 | THIRD ANGLE PROJECTION |
| ANGLES ± 2° | |

HUSSmann
DIAGRAM-Q5-SS-8R

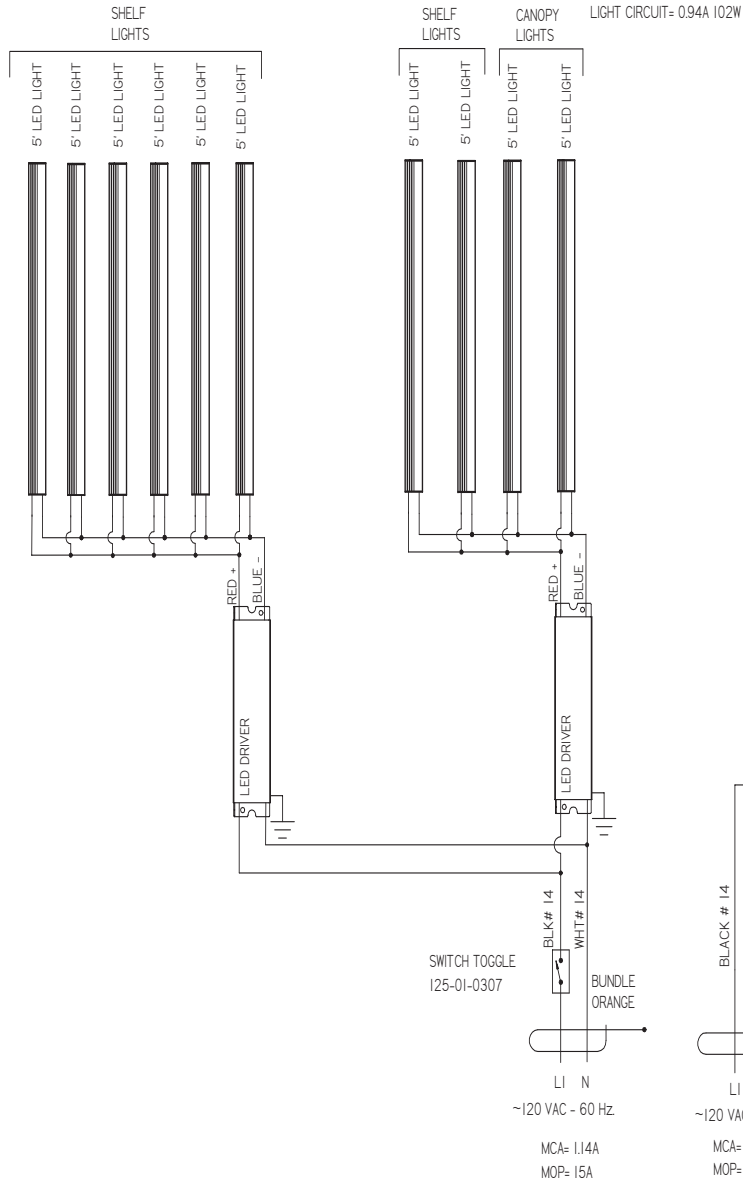
3018903

A

HUS5MANL-Q5-11 SHEET SIZE D

CIRCUIT #1
LOADING

| | |
|--------|--|
| 120V | |
| LI 2.1 | |
| | |
| | |

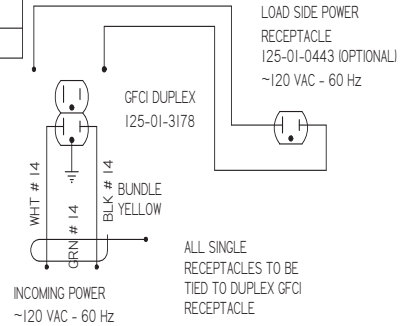


LIGHT CIRCUIT= 0.94A 102W

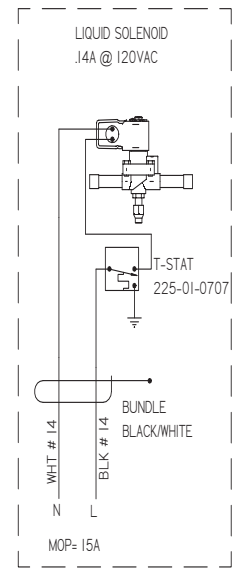
CIRCUIT # 2 (optional)

| | |
|---------|--|
| LOADING | |
| 120 V | |
| LI 15.0 | |
| | |
| | |

NOTE FOR GFCI PROTECTION: IF MORE THAN ONE SINGLE RECEPTACLE IS USED IN CONJUNCTION WITH A GFCI DUPLEX RECEPTACLE "DOWNSTREAM" ON THE LOAD SIDE, THE SUM OF ALL RECEPTACLES SHOULD NOT BE MORE THAN 15A



OPTIONAL



| | |
|---|------------------------|
| MATERIAL - N/A | |
| DATE DRAWN - 11-7-16 | |
| DRAWN BY - CRAIG BOOREY | ECN-CAP-0004991 |
| REVIEWED BY - CRAIG BOOREY | REF - |
| APPROVED BY - CRAIG BOOREY | SHEET 1 OF 1 |
| UNLESS OTHERWISE SPECIFIED DIMENSIONS ARE IN INCHES. | |
| TOLERANCES ARE: DECIMALS .XX ±.03, .XXX ±.010 ANGLES ± 2° | THIRD ANGLE PROJECTION |

HUSSMANN
DIAGRAM-Q5-SS-10R

3018904

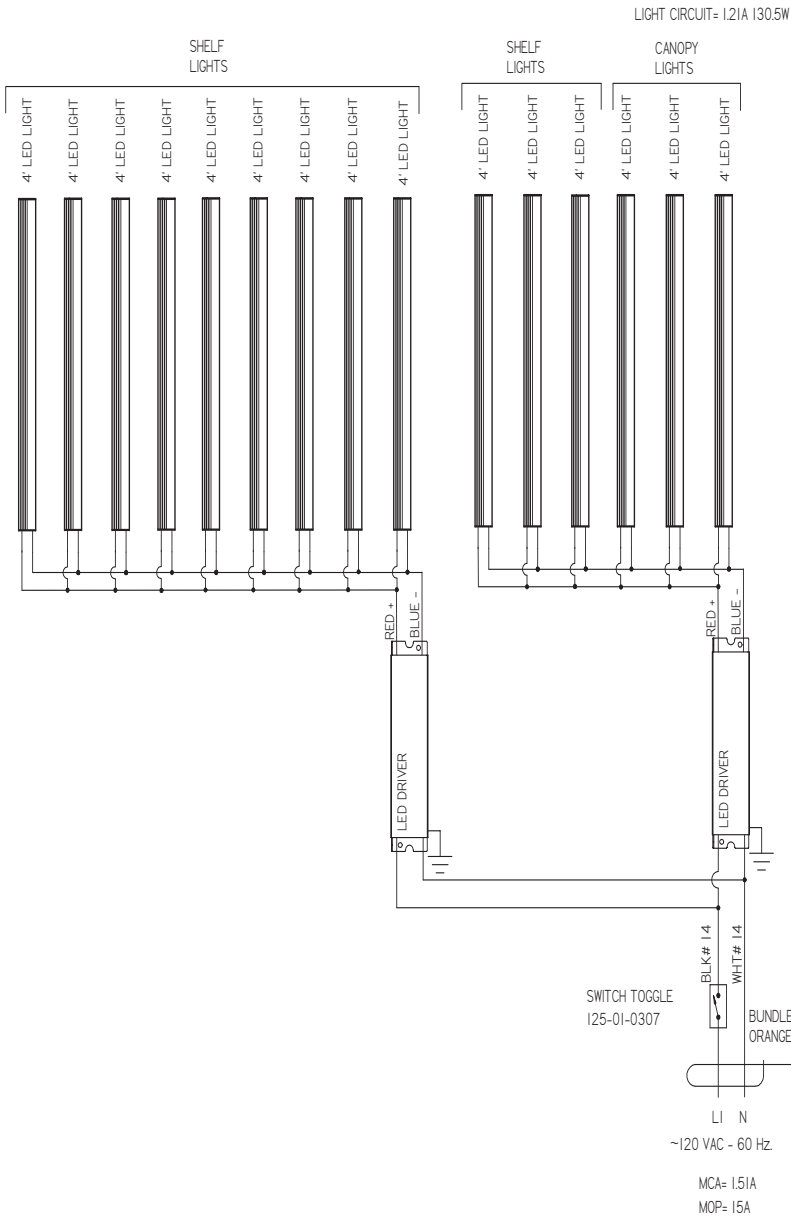
A

NOTES:
CASE MUST BE GROUNDED
WHEN PASSING WIRES THROUGH METAL HOLES A GROMMET MUST BE USED

CIRCUIT #1

LOADING

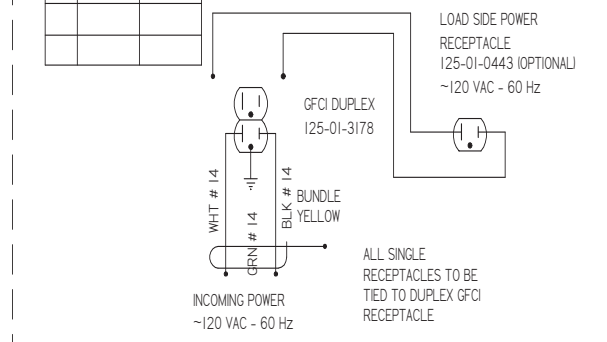
| | |
|--------|--|
| 120V | |
| LI 2.9 | |
| | |
| | |



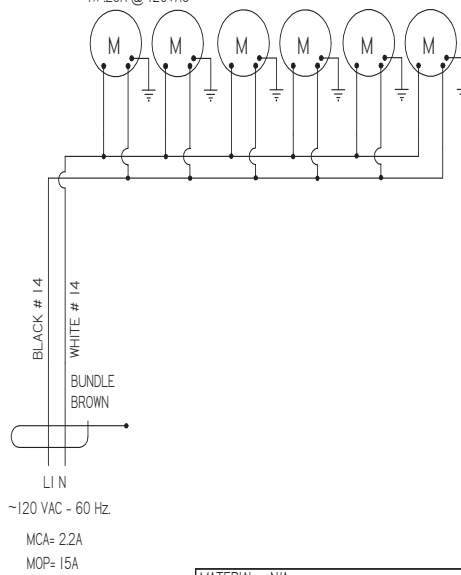
CIRCUIT # 2 (optional)

| | |
|---------|--|
| LOADING | |
| 120 V | |
| LI 15.0 | |
| | |
| | |

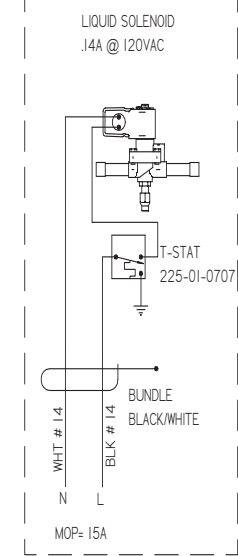
NOTE FOR GFCI PROTECTION: IF MORE THAN ONE SINGLE RECEPTACLE IS USED IN CONJUNCTION WITH A GFCI DUPLEX RECEPTACLE "DOWNSTREAM" ON THE LOAD SIDE, THE SUM OF ALL RECEPTACLES SHOULD NOT BE MORE THAN 15A



EVAP FAN MOTOR EE (6) 0392457
4W 29A @ 120VAC



OPTIONAL



NOTES:
CASE MUST BE GROUNDED
WHEN PASSING WIRES THROUGH METAL HOLES A GROMMET MUST BE USED

| | |
|--|------------------------|
| MATERIAL - N/A | |
| DATE DRAWN - 11-7-16 | |
| DRAWN BY - CRAIG BOOREY | ECN-CAP-0004991 |
| REVIEWED BY - CRAIG BOOREY | REF - |
| APPROVED BY - CRAIG BOOREY | SHEET 1 OF 1 |
| UNLESS OTHERWISE SPECIFIED DIMENSIONS ARE IN INCHES. | |
| TOLERANCES ARE: DECIMALS .XX ±.03, .XXX ±.010 | THIRD ANGLE PROJECTION |
| ANGLES ± 2° | |

HUSSMANN
DIAGRAM-Q5-SS-I2R

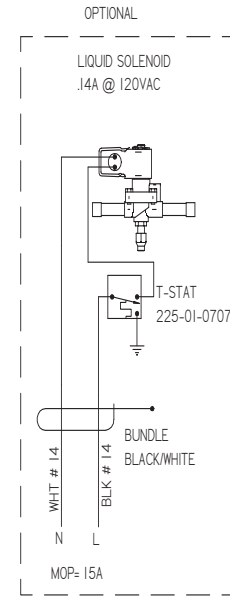
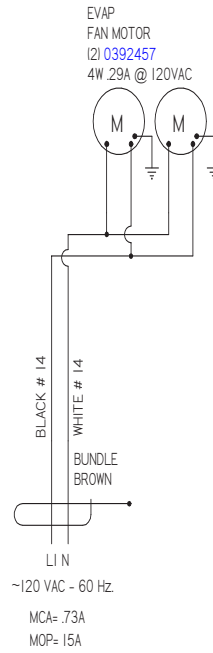
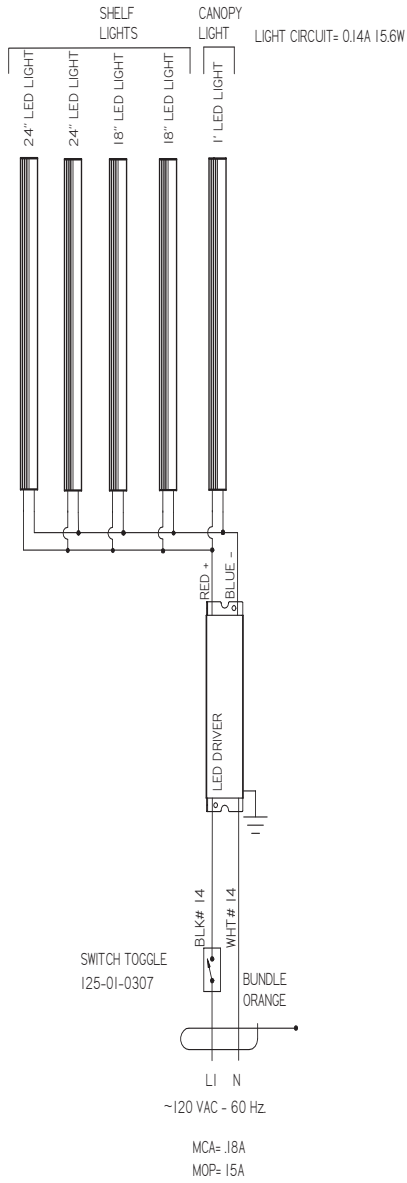
3018905

A

HUSSMANN-GDF-11 SHEET SIZE D

CIRCUIT #1
LOADING

| | | |
|----|------|--|
| LI | 20V | |
| | 0.72 | |
| | | |
| | | |



| REVISION HISTORY | | | | | | |
|------------------|-----------------|------------|------------------------|--------|---------|---------|
| REV | ECN | DATE | REVISION DESCRIPTION | REV BY | CHKD BY | APPR BY |
| A | ECN-CAP-0004991 | 2016/11/07 | RELEASED TO PRODUCTION | CB | CB | CB |

| | |
|--|------------------------|
| MATERIAL - N/A | |
| DATE DRAWN - 11-7-16 | |
| DRAWN BY - CRAIG BOOREY | ECN-CAP-0004991 |
| REVIEWED BY - CRAIG BOOREY | REF - |
| APPROVED BY - CRAIG BOOREY | SHEET 1 OF 1 |
| UNLESS OTHERWISE SPECIFIED DIMENSIONS ARE IN INCHES. | |
| TOLERANCES ARE: DECIMALS .XX ±.03, .XXX ±.010 | THIRD ANGLE PROJECTION |

HUSSMANN
DIAGRAM-Q5-SS-45
0-R
3018906 A

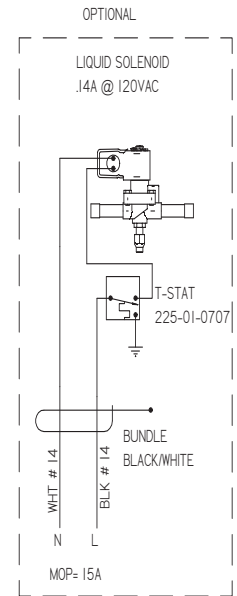
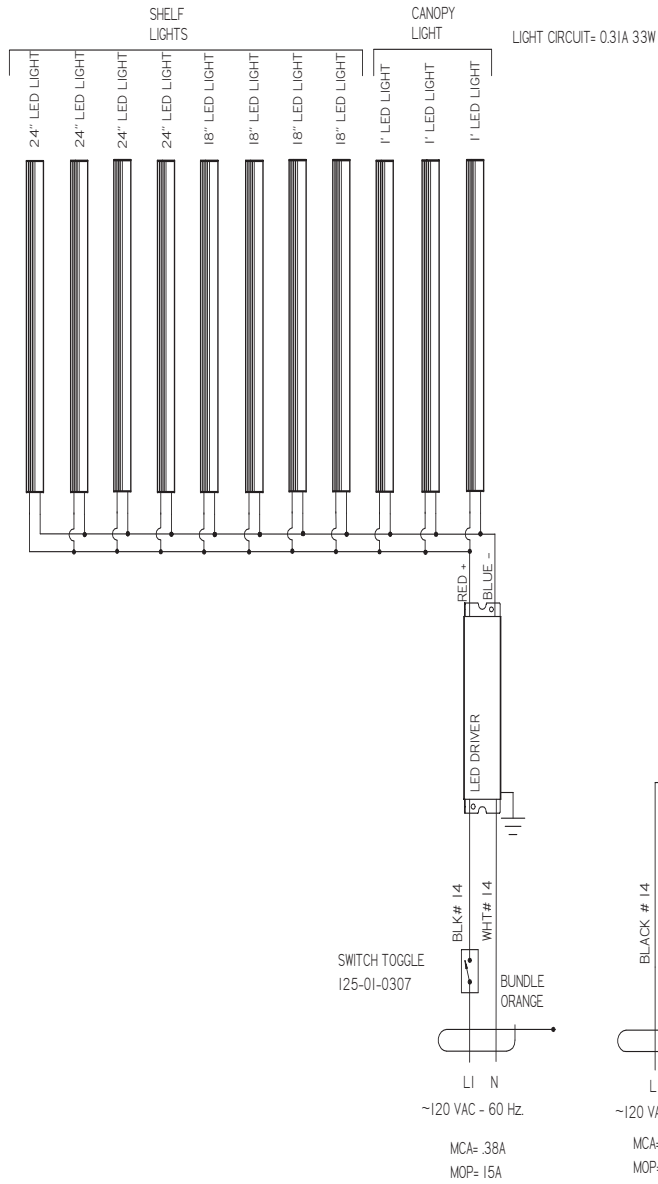
NOTES:
CASE MUST BE GROUNDED
WHEN PASSING WIRES THROUGH METAL HOLES A GROMMET MUST BE USED

HUSSMANN-GDF-11 SHEET SIZE D

CIRCUIT #1
LOADING

| | |
|----|------|
| LI | 120V |
| | 0.89 |
| | |
| | |

| REVISION HISTORY | | | | | | |
|------------------|-----------------|------------|------------------------|--------|---------|---------|
| REV | ECN | DATE | REVISION DESCRIPTION | REV BY | CHKD BY | APPR BY |
| A | ECN-CAP-0004991 | 2016/11/07 | RELEASED TO PRODUCTION | CB | CB | CB |



NOTES:
CASE MUST BE GROUNDED
WHEN PASSING WIRES THROUGH METAL HOLES A GROMMET MUST BE USED

| | |
|--|------------------------|
| MATERIAL - N/A | |
| DATE DRAWN - 11-7-16 | |
| DRAWN BY - CRAIG BOOREY | ECN-CAP-0004991 |
| REVIEWED BY - CRAIG BOOREY | REF - |
| APPROVED BY - CRAIG BOOREY | SHEET 1 OF 1 |
| UNLESS OTHERWISE SPECIFIED DIMENSIONS ARE IN INCHES. | |
| TOLERANCES ARE: DECIMALS .XX ±.03, .XXX ±.010 | THIRD ANGLE PROJECTION |

HUSSMANN
DIAGRAM-Q5-SS-90
0-R
3018907 A

HUSSMANN-GDF-11 SHEET SIZE D

14. Troubleshooting Guide

| Problem | Possible Cause | Possible Solution |
|---|---|--|
| Case temperature is too warm. | Ambient conditions may be affecting the case operation. | Check case position in store. Is the case located near an open door, window, electric fan or air conditioning vent that may cause air currents? Case must be located minimum 15 Ft away from doors or windows. Cases are designed to operate at 55% Relative humidity and a temperature of 75°F. |
| | Discharge air temp is out of spec. | Check evaporator fan operation. Check electrical connections and input voltage. |
| | | Fans are installed backwards. Check airflow direction. |
| | | Fan blades are installed incorrectly. Make sure fan blades have correct pitch and are per specification. |
| | | Check to see that fan plenum is installed correctly. It should not have any gaps. |
| | | Check suction pressure and insure that it meets factory specifications. |
| | Case is in defrost. | Check defrost settings. See Technical Specifications section. |
| | Product load may be over its limits blocking airflow. | Redistribute product so it does not exceed load level. There is a sticker on the inside of the case indicating what the maximum load line is. |
| | Coil is freezing over. | Return air is blocked, make sure debris is not blocking the intake section. |
| Coil close-offs are not installed. Inspect coil to make sure these parts are on the case. | | |
| Condensing coil or evaporator coil is clogged or dirty. | Clean coil. | |
| Case temperature is too cold. | The t-stat temp is set too low. | Check settings. See Technical Specifications section. |
| | Ambient conditions may be affecting the case operation. | Check case position in store. Is the case located near an open door, window, electric fan or air conditioning vent that may cause air currents? Case must be located minimum 15 Ft away from doors or windows. Cases are designed to operate at 55% Relative humidity and a temperature of 75°F. |
| Condensation on glass. | Ambient conditions may be affecting the case operation. | Check case position in store. Is the case located near an open door, window, electric fan or air conditioning vent that may cause air currents? Case must be located minimum 15 Ft away from doors or windows. Cases are designed to operate at 55% Relative humidity and a temperature of 75°F. |
| | Inadequate air circulation. | Check if air sweep fans are functioning, check electrical connections. |
| | There is not enough heat provided in the airflow. | Check if air sweep heater is functioning, check electrical connections. |
| | There are glass gaps on the side of the case. | See glass adjustment section. |
| | Glass is not completely shut. | Close glass correctly. |

Troubleshooting Guide (Cont'd)

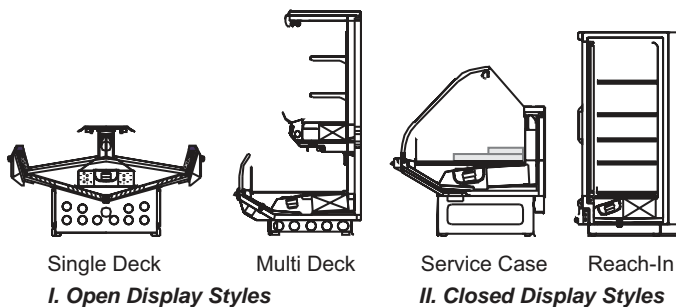
| Problem | Possible Cause | Possible Solution |
|--|---|--|
| Water has pooled under case. | Case drain is clogged. | Clear drain. |
| | PVC drains under case may have a leak. | Repair as needed. |
| | Case tub has unsealed opening. | Seal as needed. |
| | If the case is in a line-up, case to case joint is missing or unsealed. | Install case to case joint and seal as needed. |
| | Evaporator pan is overflowing (if applicable). | Check electrical connection to evaporator pan. Check float assembly, it should move freely up and down the support stem. Clear any debris. |
| Case is not draining properly. | Case is not level. | Level the case. |
| | Drain screen is plugged. | Clean drain screen and remove any debris. |
| | Drain or P-trap is clogged. | Clear any debris. |
| Frost or ice on evaporator coil. | Evaporator fans are not functioning. | Check electrical connections. |
| | Defrost clock is not functioning. | Case should be serviced by a qualified service technician. |
| | Coil is freezing over. | Return air is blocked, make sure debris is not blocking the intake section. Coil close-offs are not installed. Inspect coil to make sure these parts are on the case. |
| Large gap is visible on bottom of front glass or glass can't be opened because it is too low. | Glass Height adjusters need to be adjusted. | See Glass Adjustment section. |
| Large gaps are visible in between glass panels or glass rubs against end panel. | Glass/glass clamp assembly needs to be adjusted. | See Glass Adjustment section. |
| Front glass does not stay open and falls closed. | Glass shock/piston may need to be replaced. | Case should be serviced by a qualified service technician. |
| Lights do not come on. | LED Driver/light socket wiring. | Check electrical connections. See Electrical Section and check wiring diagram. |
| | LED Driver needs to be replaced. | Case should be serviced by a qualified service technician. See Electrical Section. |
| | Lamp socket needs to be replaced. | Case should be serviced by a qualified service technician. |
| | Lamp needs to be replaced. | See Maintenance Section. |
| | Light Switch needs to be replaced. | Case should be serviced by a qualified service technician. |

15. Appendices

Appendix A. - Temperature Guidelines

The refrigerators should be operated according to the manufacturer's published engineering specifications for entering air temperatures for specific equipment applications. Table 1 shows the typical temperature of the air entering the food zone one hour before the start of defrost and one hour after defrost for various categories of refrigerators. Refer to Appendix C for Field Evaluation Guidelines.

| Type of Refrigerator | Typical Entering Air Temperature |
|---------------------------|----------------------------------|
| I. OPEN DISPLAY | |
| A. Non frozen: | |
| 1) Meat | 28°F |
| 2) Dairy/Deli | 32°F |
| 3) Produce | |
| a. Processed | 36°F |
| b. Unprocessed | 45°F |
| B. Frozen | 0°F |
| C. Ice Cream | -5°F |
| II. CLOSED DISPLAY | |
| A. Non frozen: | |
| 1) Meat | 34°F |
| 2) Dairy/Deli | 34°F |
| 3) Produce | |
| a. Processed | 36°F |
| b. Unprocessed | 45°F |
| B. Frozen | 0°F |
| C. Ice Cream | -5°F |



Appendix B. - Application Recommendations

- 1.0 Temperature performance is critical for controlling bacteria growth. Therefore, the following recommendations are included in the standard. They are based on confirmed field experience over many years.
- 1.1 The installer is responsible for following the installation instructions and recommendations provided by Hussmann for the installation of each individual type refrigerator.

- 1.2 Refrigeration piping should be sized according to the equipment manufacturer's recommendations and installed in accordance with normal refrigeration practices. Refrigeration piping should be insulated according to Hussmann's recommendations.
- 1.3 A clogged waste outlet blocks refrigeration. The installer is responsible for the proper installation of the system which dispenses condensate waste through an air gap into the building indirect waste system.
- 1.4 The installer should perform a complete start-up evaluation prior to the loading of food into the refrigerator, which includes such items as:
 - a) Initial temperature performance, Coils should be properly fed with a refrigerant according to manufacturer's recommendations.
 - b) Observation of outside influences such as drafts, radiant heating from the ceiling and from lamps. Such influence should be properly corrected or compensated for.
 - c) At the same time, checks should be made of the store dry-bulb and wet-bulb temperatures to ascertain that they are within the limits prescribed by Hussmann.
 - d) Complete start-up procedures should include checking through a defrost to make certain of its adequate frequency and length without substantially exceeding the actual needs. This should include checking the electrical or refrigerant circuits to make sure that defrosts are correctly programmed for all the refrigerators connected to each refrigeration system.
 - e) Recording instruments should be used to check performance.

Appendix C. - Field Recommendations

Recommendations for field evaluating the performance of retail food refrigerators and hot cases

- 1.0 The most consistent indicator of display refrigerator performance is temperature of the air entering the product zone (see Appendix A). In practical use, the precise determination of return air temperature is extremely difficult. Readings of return air temperatures will be variable and results will be inconsistent. The product temperature alone is not an indicator of refrigerator performance.

Appendices (Cont'd)

NOTE: Public Health will use the temperature of the product in determining if the refrigerator will be allowed to display potentially hazardous food. For the purpose of this evaluation, product temperature above the FDA Food Code 1993 temperature for potentially hazardous food will be the first indication that an evaluation should be performed. It is expected that all refrigerators will keep food at the FDA Food Code 1993 temperature for potentially hazardous food.

1.1 The following recommendations are made for the purpose of arriving at easily taken and understood data which, coupled with other observations, may be used to determine whether a display refrigerator is working as intended:

- a) **INSTRUMENT** - A stainless steel stem-type thermometer is recommended and it should have a dial a minimum of 1 inch internal diameter. A test thermometer scaled only in Celsius or dually scaled in Celsius and Fahrenheit shall be accurate to 1°C (1.8°F). Temperature measuring devices that are scaled only in Fahrenheit shall be accurate to 2°F. The thermometer should be checked for proper calibration. (It should read 32°F when the stem is immersed in an ice water bath).
- b) **LOCATION** - The probe or sensing element of the thermometer should be located in the airstream where the air first enters the display or storage area, and not more than 1 inch away from the surface and in the center of the discharge opening.
- c) **READING** - It should first be determined that the refrigerator is refrigerating and has operated at least one hour since the end of the last defrost period. The thermometer reading should be made only after it has been allowed to stabilize, i.e., maintain a constant reading.
- d) **OTHER OBSERVATIONS** - Other observations should be made which may indicate operating problems, such as unsatisfactory product, feel/appearance.
- e) **CONCLUSIONS** - In the absence of any apparent undesirable conditions, the refrigerator should be judged to be operating properly. If it is determined that such condition is undesirable, i.e., the product is above proper temperature, checks should be made for the following:

1. Has the refrigerator been loaded with warm product?
2. Is the product loaded beyond the "Safe Load Line" markers?

3. Are the return air ducts blocked?
4. Are the entering air ducts blocked?
5. Is a dumped display causing turbulent air flow and mixing with room air?
6. Are spotlights or other high intensity lighting directed onto the product?
7. Are there unusual draft conditions (from heating/air-conditioning ducts, open doors, etc.)?
8. Is there exposure to direct sunlight?
9. Are display signs blocking or diverting airflow?
10. Are the coils of the refrigerator iced up?
11. Is the store ambient over 75°F, 55% RH as set forth in ASHRAE Standard 72 and ASHRAE Standard 117?
12. Are the shelf positions, number, and size other than recommended by Hussmann?
13. Is there an improper application or control system?
14. Is the evaporator fan motor/blade inoperative?
15. Is the defrost time excessive?
16. Is the defrost termination, thermostat (if used) set too high?
17. Are the refrigerant controls incorrectly adjusted?
18. Is the air entering the condenser above design conditions? Are the condenser fins clear of dirt, dust, etc.?
19. Is there a shortage of refrigerant?
20. Has the equipment been modified to use replacements for CFC-12, CFC-502 or other refrigerant? If so, have the modifications been made in accordance with the recommendations of the equipment manufacturer? Is the refrigerator charged with the proper refrigerant and lubricant? Does the system use the recommended compressor?

Appendix D. - Recommendations to User

- 1.0 Hussmann Corporation provides instructions and recommendations for proper periodic cleaning. The user will be responsible for such cleaning, including the cleaning of low temperature equipment within the compartment and the cooling coil area(s). Cleaning practices, particularly with respect to proper refrigerator unloading and warm-up, must be in accordance with applicable recommendations.

Appendices (Cont'd)

- 1.1 Cleaning of non frozen food equipment should include a weekly cleaning of the food compartment as a minimum to prevent bacteria growth from accumulating. Actual use and products may dictate more frequent cleaning. Circumstances of use and equipment design must also dictate the frequency of cleaning the display areas. Weekly washing down of the storage compartment is also recommended, especially for equipment subject to drippage of milk or other liquids, or the collection of vegetable, meat, crumbs, etc. or other debris or litter. Daily cleaning of the external areas surrounding the storage or display compartments with detergent and water will keep the equipment presentable and prevent grime buildup.
- 1.2 Load levels as defined by the manufacturer must be observed.
- 1.3 The best preservation is achieved by following these rules:
 - a) Buy quality products.
 - b) Receive perishables from transit equipment at the ideal temperature for the particular product.
 - c) Expedite perishables to the store's storage equipment to avoid unnecessary warm-up and prolonged temperature recovery. Food store refrigerators are not food chillers nor can they reclaim quality lost through previous mishandling.
 - d) Care must be taken when cross merchandising products to ensure that potentially hazardous vegetable products are not placed in non refrigerated areas.
 - e) Display and storage equipment doors should be kept closed during periods of inactivity.
 - f) Minimize the transfer time of perishables from storage to display.
 - g) Keep meat under refrigeration in meat cutting and processing area except for the few moments it is being handled in processing. When a cut or tray of meat is not to be worked on immediately, the procedure should call for returning it to refrigeration.
 - h) Keep tools clean and sanitized. Since mechanical equipment is used for fresh meat processing, all such equipment should be cleaned at least daily and each time a different kind of meat product comes in contact with the tool or equipment.
 - i) Make sure that all refrigeration equipment is installed and adjusted in strict accordance with the manufacturer's recommendations.
 - j) See that all storage and refrigeration equipment is kept in proper working order by routine maintenance.

Service Record

Last service date: By:

| | |
|-------|-------|
| _____ | _____ |
| _____ | _____ |
| _____ | _____ |
| _____ | _____ |
| _____ | _____ |
| _____ | _____ |
| _____ | _____ |

HUSSMANN®/Chino

Additional copies of this publication may be obtained by contacting:

Hussmann® Chino
13770 Ramona Avenue • Chino, California 91710
(909) 628-8942 FAX
(909) 590-4910
(800) 395-9229

The *MODEL NAME* and *SERIAL NUMBER* is required in order to provide you with the correct parts and information for your particular unit.

They can be found on a small metal plate on the unit.
Please note them below for future reference.

MODEL:

SERIAL NUMBER: