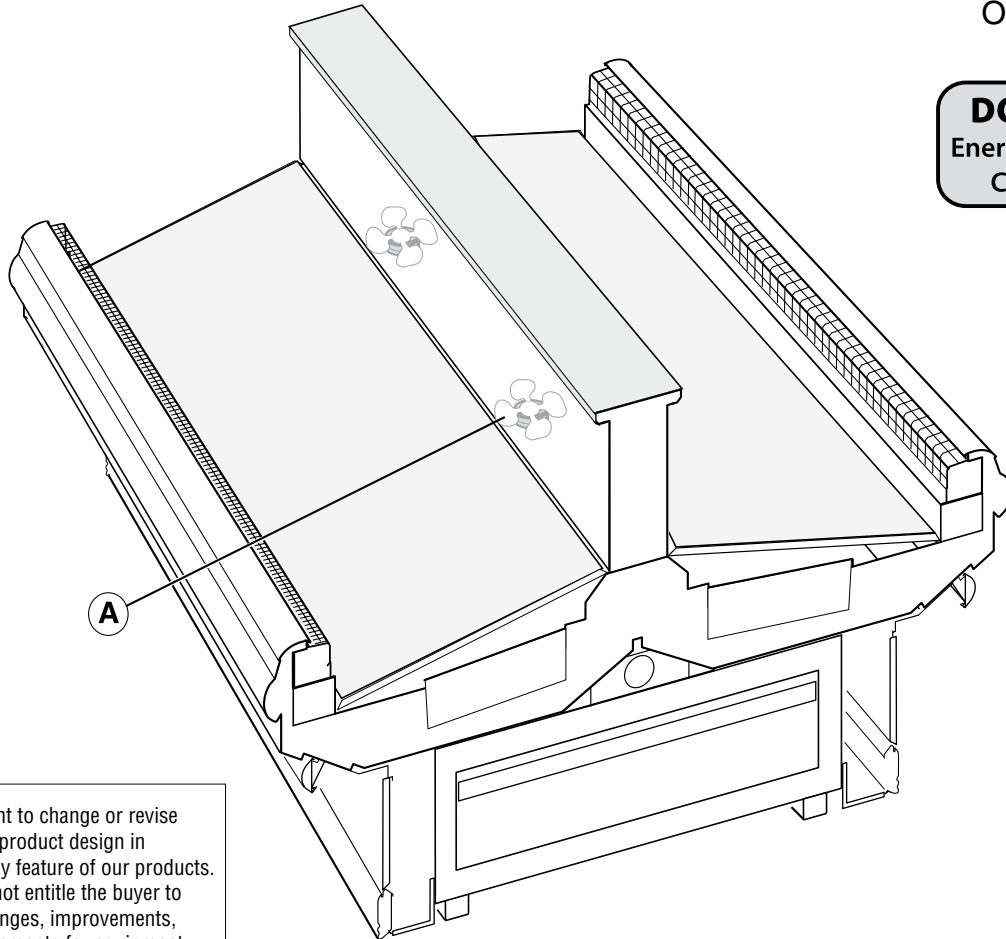


DOE 2017
Energy Efficiency
Compliant



We reserve the right to change or revise specifications and product design in connection with any feature of our products. Such changes do not entitle the buyer to corresponding changes, improvements, additions or replacements for equipment previously sold or shipped.

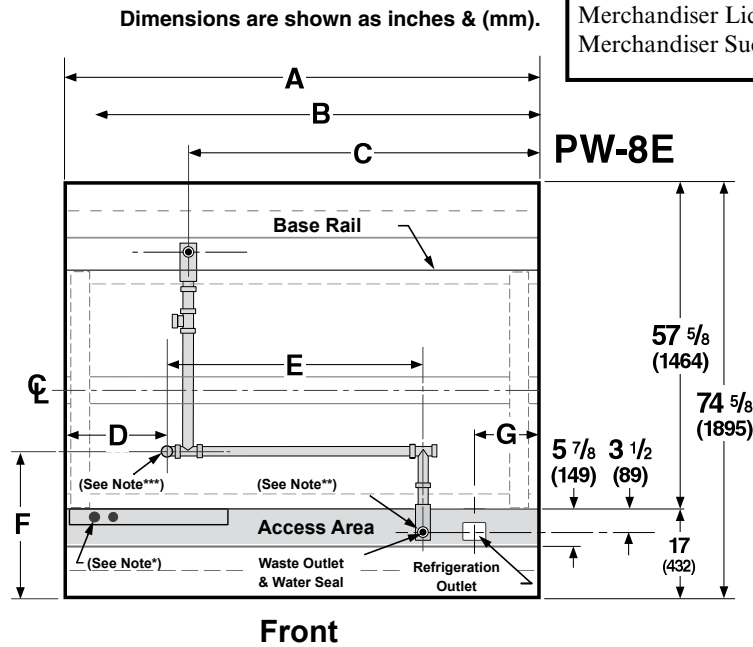
Item	Part #	Description	Wiring Item #
FAN ASSEMBLIES, AND THERMOSTATS			
(A)	0477656	Standard Energy Efficient Fan Motor, Evaporator (MO.4410547)	(1)
	0142780	Fan Blade Embossing toward motor (FB.0142780)	

Note: Revision E: Added high glide refrigerant note. Other changes marked by bar, underline or circle.

Engineering Plan Views

Wide Island Bulk Produce

PHYSICAL DATA	
Merchandiser Drip Pipe (in.)	1 1/2
Merchandiser Liquid Line (in.)	3/8
Merchandiser Suction Line (in.)	7/8



	6 Ft	8 Ft	10 Ft	12 Ft
General				
(A) Case Length <i>Each End and Partition adds 1 1/2 in. (38 mm) to the length of the lineup.</i>	72 1/4 (1835)	96 3/8 (2448)	120 1/2 (3061)	144 1/2 (3670)
Maximum outside dimension of case back to front <i>(includes bumper)</i>	74 5/8 (1895)	74 5/8 (1895)	74 5/8 (1895)	74 5/8 (1895)
Front of splashguard to outside edge of front base rail	5 7/8 (149)	5 7/8 (149)	5 7/8 (149)	5 7/8 (149)
Back of case to outside edge of front base rail	57 5/8 (1464)	57 5/8 (1464)	57 5/8 (1464)	57 5/8 (1464)
Front of case to outside edge of front base rail	17 (432)	17 (432)	17 (432)	17 (432)
Width of base rail	2 1/8 (54)	2 1/8 (54)	2 1/8 (54)	2 1/8 (54)
Stub-up area between front base rail and splashguard	4 7/8 (124)	4 7/8 (124)	4 7/8 (124)	4 7/8 (124)
Electrical Service				
(B) Righthand end of case to center of farthest knockout Length of electrical raceway <i>*Note: Electrical field wiring connection point.</i>	71 1/4 (1810) 34 5/8 (878)	95 3/8 (2423) 34 5/8 (878)	119 5/8 (3038) 34 5/8 (878)	143 5/8 (3650) 34 5/8 (878)
Waste Outlet				
(C) Right end of case to center of waste outlet	46 5/8 (613)	72 1/4 (613)	72 1/4 (613)	72 1/4 (613)
Water Seal				
Edge of water seal to center of waste outlet	4 (102)	4 (102)	4 (102)	4 (102)
Center of waste outlet to outside edge of front base rail <i>** Note: Field installed water seal outlets, tees, and connectors are shipped with case</i>	3 1/2 (89)	3 1/2 (89)	3 1/2 (89)	3 1/2 (89)
Drip Pipe Outlet ●				
(D) Left end of case to center of drip pipe outlet	19 1/2 (495)	19 1/2 (495)	44 1/2 (1130)	68 1/2 (1740)
(E) Center of waste outlet to center of drip pipe outlet	24 3/4 (629)	51 7/8 (1318)	27 7/8 (708)	3 3/4 (95)
(F) Front of case to center of drip pipe outlet Outside diameter of drip pipe lines <i>***Note: Field drip pipe connection point.</i>	25 7/8 (657) 1 1/2 (38)	25 7/8 (657) 1 1/2 (38)	24 7/8 (632) 1 1/2 (38)	24 7/8 (632) 1 1/2 (38)
Refrigeration Outlet				
(G) Righthand end of case to center of refrigeration outlet Center of refrigeration outlet to outside edge of front base rail	9 (230) 3 1/2 (89)	9 (230) 3 1/2 (89)	9 (230) 3 1/2 (89)	9 (230) 3 1/2 (89)



Hussmann refrigerated merchandisers configured for sale for use in the United States meet or surpass the requirements of the DOE 2017 energy efficiency standards.



REFRIGERATION DATA

Note: This data is based on store temperature and humidity that does not exceed 75°F and 55% R.H.

	PW- 6, 8, 10, 12E[§]
Discharge Air (°F)	34
Evaporator(°F)	24
Unit Sizing (°F)	22
[§] Average evaporator temperature shown. Use dew point for high glide refrigerants for unit sizing. Care should be taken to use the dew point in PT tables for measuring and adjusting superheat. Adjust evaporator pressure as needed to maintain discharge air temperature shown.	
Btu/hr/ft	PW- 6, 8, 10, 12E
Parallel	1090
Conventional	1205

DEFROST DATA

	PW- 6, 8, 10, 12E
Frequency (hr)	6
Defrost Water (lb/ft/day)	8
(± 15% based on case configuration and product loading).	
OFFTIME	PW- 6, 8, 10, 12E
Temp Term (°F)	N/A
Failsafe (min)	45

Standard Defrost Thermostat N/A

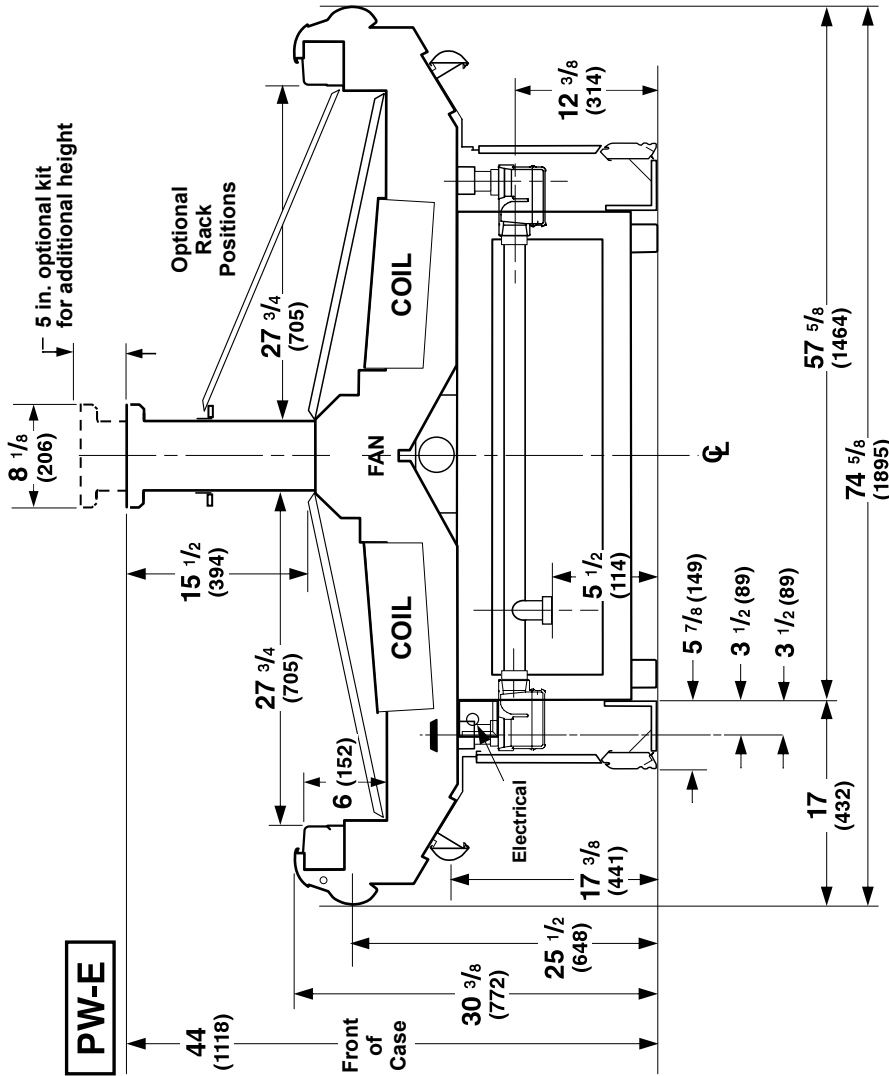
CONVENTIONAL CONTROLS

Low Pressure Backup Control	PW- 6, 8, 10, 12E
CI/CO**	17/17° F

Indoor Unit Only, Pressure Defrost Termination* 48° F

*Use a Temperature Pressure Chart to determine PSIG conversions.

Dimensions are shown as inches & (mm).



PHYSICAL DATA

Estimated Charge ** PW- 6, 8, 10, 12E

6 ft	2.3 lb	37 oz	1.0 kg
8 ft	2.8 lb	45 oz	1.3 kg
10 ft	3.7 lb	60 oz	1.7 kg
12 ft	4.3 lb	69 oz	2.0 kg

**This is an average for all refrigerant types. Actual refrigerant charge may vary by approximately 0.5 lb (8 oz / 0.2 kg).

NSF Certification

This merchandiser model is manufactured to meet NSF/ANSI (National Sanitation Foundation) Standard #7 requirements for construction, materials & cleanability.

Excel PW-E Produce

Electrical Data

Number of Fans	6 ft	8 ft	10 ft	12 ft
Refrigeration — <u>13W</u>	1	2	3	3
Refrigeration — <u>13W</u> (Export)	1	2	3	3

Merchandise	Amperes				Watts			
	6 ft	8 ft	10 ft	12 ft	6 ft	8 ft	10 ft	12 ft
Fans (Refrigeration)								
Energy Efficient (120V 60Hz)	0.33	0.66	0.99	0.99	20	40	60	60
Export (230V 50 Hz)	0.47	0.94	1.41	1.41	70	140	210	210
Minimum Circuit Ampacity	6 ft	8 ft	10 ft	12 ft				
With Energy Efficient Fans (120V 60Hz)	0.42	0.75	1.08	1.08				
With Export Fans (230V 50 Hz)	0.59	1.01	1.43	1.43				
Maximum Over Current Protection 120V	20	20	20	20				
Maximum Over Current Protection 230V	15	15	15	15				

Standard Lighting

None

Optional Lighting

None

Optional Shelf Lighting

None

Product Data

Recommended Usable Cube ¹ (Cu Ft/Ft)	5.83 ft ³ /ft (0.54 m ³ /m)
AHRI Total Display Area ² (Sq Ft/Ft)	4.78 ft ² /ft (1.47 m ² /m)
Shelf Area ³ (Sq Ft/Ft)	5.17 ft ² /ft (1.58 m ² /m)

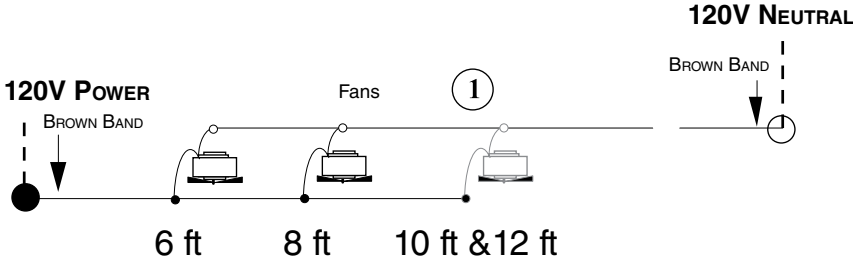
- ¹ AHRI Refrigerated Volume less shelving and other unusable space:
Refrigerated Volume/Unit of Length, ft³/ft [m³/m]
- ² Computed using AHRI 1200 standard methodology: Total Display Area, ft² [m²]/Unit of Length, ft [m]
- ³ Shelf surface area is composed of bottom deck plus standard shelf complement, as shown in the Hussmann **Product Reference Guide**. The standard shelf complement for this model is NONE.

ESTIMATED SHIPPING WEIGHT ⁴					
Case	6 ft	8 ft	10 ft	12 ft	Flat End (each)
lb (kg)	600 (272)	800 (396)	1000 (454)	1200 (544)	60 (27)

⁴ Actual weights will vary according to optional kits included.

**Fan Wiring
Offtime Defrost**

1, 2 & 3 Fans



WARNING

All components must have mechanical ground, and the merchandiser must be grounded.
CIRCLED NUMBERS = PARTS LIST ITEM NUMBERS

● = 120V POWER ○ = 120V NEUTRAL