

We reserve the right to change or revise specifications and product design in connection with any feature of our products. Such changes do not entitle the buyer to corresponding changes, improvements, additions or replacements for equipment previously sold or shipped.

Item	Part #	Description	Wiring Item #	Item	Part #	Description	Wiring Item #
<b>FAN ASSEMBLIES</b>				<b>B.</b>			
<b>8 Ft &amp; 12 Ft</b>				Optional Adjustable Refrigeration Thermostat (3)			
A. 4W Standard Energy Efficient Fan Assembly (1)				<b>LAMPS AND BALLASTS</b>			
	0477653	Fan Motor, Evaporator (MO.4410544)		None			
	0464847	Fan Blade (FB.4780649)					

Data sheet-Excel-P1X-E

**Note:** Revision G: Added high glide refrigerant note. Other changes marked by bar, underline or circle.

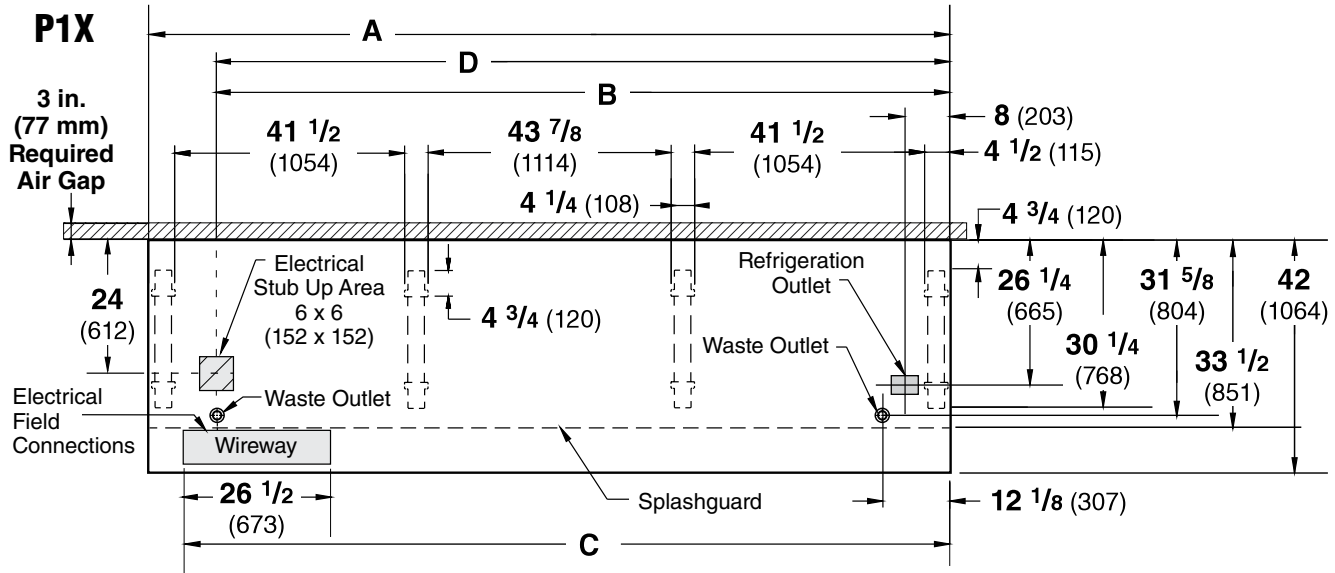
# Engineering Plan Views

PHYSICAL DATA	
Merchandiser Drip Pipe (in.)	1 1/4
Merchandiser Liquid Line (in.)	3/8
Merchandiser Suction Line (in.)	5/8

## Bulk Produce

09-2005

Dimensions shown as in. and (mm).



**NOTE: Case-to-Case Electrical Connections are made IN FRONT OF SPLASHGUARD.**

**FRONT**

	8 ft	12 ft
<b>General</b>		
<b>(A) Case Length</b> ( <i>without ends or partitions</i> ) (Each end and insulated partition adds 1 1/2 in. (38 mm) to case line up.) Maximum O/S dimension of case back to front (includes bumper)	96 3/8 (2448)	144 1/2 (3670)
Back of case to front of splashguard	42 (1064)	42 (1064)
Back of case to O/S edge of front leg	33 1/2 (851)	33 1/2 (851)
Distance between edges of external legs and center legs	30 1/4 (768)	30 1/4 (768)
Distance between edges of center legs	41 1/2 (1054)	41 1/2 (1054)
Distance between front legs and splashguard	NA	43 7/8 (1114)
	2 3/4 (70)	2 3/4 (70)
<b>Electrical Service</b> ( <i>Electrical Field Wiring connection point</i> )		
<b>(B) RH End of case to center of stub up area</b>	84 1/4 (2140)	132 3/8 (3363)
Back of case to center of stub up area	24 (612)	24 (612)
Length of electrical wireway	26 1/2 (673)	26 1/2 (673)
<b>(C) RH End of case to LH end of wireway</b>	90 1/8 (2289)	138 1/4 (3511)
<b>Waste Outlets</b> ( <i>One each end</i> )		
<b>(D) RH End of case to the center of LH waste outlet</b>	84 1/4 (2140)	132 3/8 (3363)
RH End of case to the center of RH waste outlet	12 1/8 (307)	12 1/8 (307)
Back O/S of case to center of waste outlets	31 5/8 (804)	31 5/8 (804)
Schedule 40 PVC drip pipe	1 1/4 (32)	1 1/4 (32)
<b>Refrigeration Outlet</b>		
Back of case to center of refrigeration outlet	26 1/4 (665)	26 1/4 (665)
RH end of case to center of refrigeration outlet	8 (203)	8 (203)



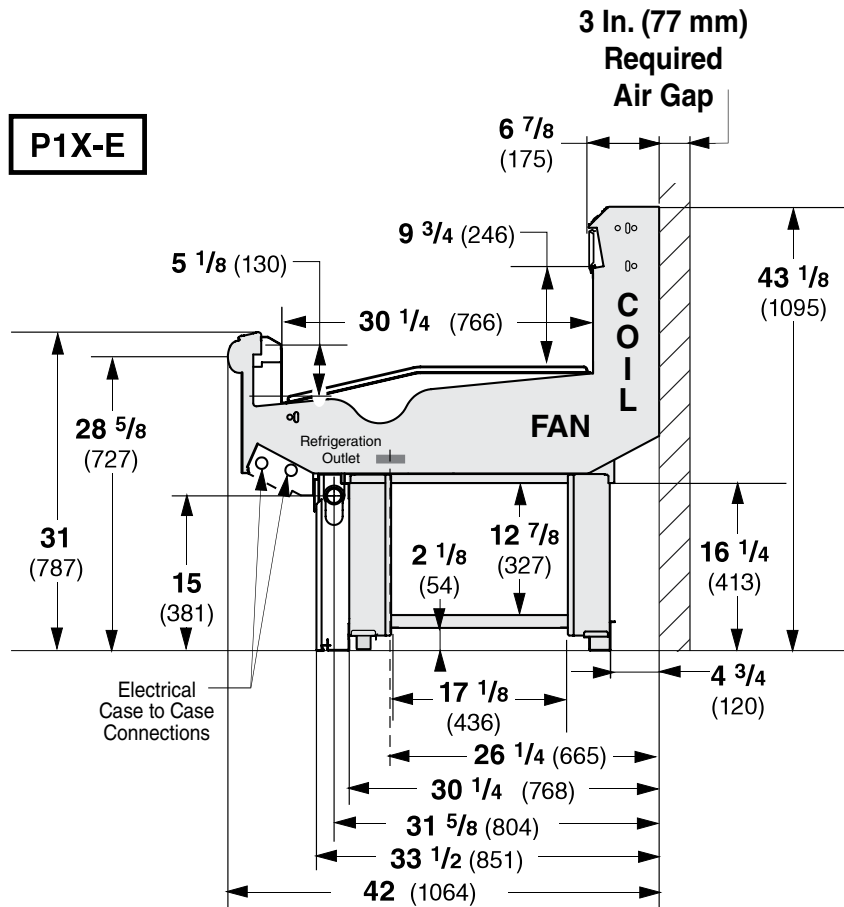
Husmann refrigerated merchandisers configured for sale for use in the United States meet or surpass the requirements of the DOE 2017 energy efficiency standards.

**Excel P1X-E**  
**Bulk Produce**

**REFRIGERATION DATA**

**Note:** This data is based on store temperature and humidity that does not exceed 75°F and 55% R.H.

Dimensions shown as inches and (mm).



**P1X-E§**

<b>Discharge Air (°F)</b>	31
<b>Evaporator (°F)</b>	24
<b>Unit Sizing (°F)</b>	22

§ Average evaporator temperature shown. Use dew point for high glide refrigerants for unit sizing. Care should be taken to use the dew point in PT tables for measuring and adjusting superheat. Adjust evaporator pressure as needed to maintain discharge air temperature shown.

<b>Btu/hr/ft</b>	<b>P1X-E</b>
<b>Parallel</b>	506
<b>Conventional</b>	541

**DEFROST DATA**

**P1X-E**

<b>Frequency (hr)</b>	8
<b>Defrost Water (lb/ft/day)</b>	4

(± 15% based on case configuration and product loading).

<b>OFFTIME</b>	<b>P1X-E</b>
<b>Temp Term (°F)</b>	43°F
<b>Failsafe (minutes)</b>	35

**ELECTRIC OR GAS** Not Recommended

**Standard Defrost Thermostat**

Close on rise: close 43°F — open 33°F

**CONVENTIONAL CONTROLS**

**Low Pressure Backup Control**

**P1X-E**

**CICO\*\*** 17°F / 7°F

**Indoor Unit Only, Pressure Defrost**

**Termination\*** 48°F

\*Use a Temperature Pressure Chart to determine PSIG conversions.

<b>Estimated Charge**</b>			<b>P1X-E</b>
<b>8 ft</b>	1.7 lb	27 Oz	0.8 kg
<b>12 ft</b>	2.3 lb	37 oz	1.0 kg

\*\*This is an average for all refrigerant types. Actual refrigerant charge may vary by approximately half a pound (8 oz/0.2 kg).

**NSF Certification**

This merchandiser model is manufactured to meet NSF/ANSI (National Sanitation Foundation) Standard #7 requirements for construction, materials & cleanability.

<b>Excel P1X-E</b> <b>Bulk Produce</b>
---

### Electrical Data

	<b>8 ft</b>	<b>12 ft</b>
<b>Number of Fans—4W</b>	<b>2</b>	<b>3</b>

	<b>Amperes</b>		<b>Watts</b>	
	<b>8 ft</b>	<b>12 ft</b>	<b>8 ft</b>	<b>12 ft</b>
<b>Evaporator Fan</b>				
120V 50/60Hz Standard Energy Efficient	0.24	0.36	16	24
230V 50/60Hz Standard Energy Efficient	0.12	0.18	16	24
230V 60Hz Export	0.30	0.45	48	72
230V 50Hz Export	0.36	0.54	54	81

#### Minimum Circuit Ampacity

120V 50/60Hz Standard Energy Efficient	0.44	0.56
230V 50/60Hz Standard Energy Efficient	0.32	0.38
230V 60Hz Export	0.50	0.65
230V 50Hz Export	0.56	0.74

<b>Maximum Over Current Protection 120V</b>	<b>20</b>	<b>20</b>
Maximum Over Current Protection 230V	15	15

**Product Data**

<i>Recommended Usable Cube</i> <sup>1</sup> (Cu Ft/Ft)	1.08 ft <sup>3</sup> /ft (0.10 m <sup>3</sup> /m)
<i>AHRI Total Display Area</i> <sup>2</sup> (Sq Ft/Ft)	2.72 ft <sup>2</sup> /ft (0.83 m <sup>2</sup> /m)
<i>Shelf Area</i> <sup>3</sup> (Sq Ft/Ft)	2.53 ft <sup>2</sup> /ft (0.77 m <sup>2</sup> /m)

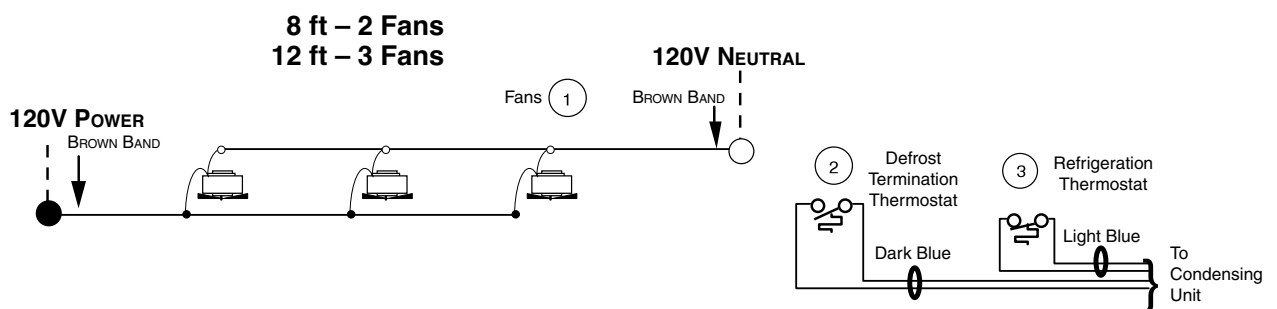
- <sup>1</sup> AHRI Refrigerated Volume less shelving and other unusable space: Refrigerated Volume/Unit of Length, ft<sup>3</sup>/ft [m<sup>3</sup>/m]
- <sup>2</sup> Computed using AHRI 1200 standard methodology: Total Display Area, ft<sup>2</sup> [m<sup>2</sup>]/Unit of Length, ft [m]
- <sup>3</sup> Shelf surface area is composed of bottom deck plus standard shelf complement, as shown in the Hussmann *Product Reference Guide*. The standard shelf complement for this model is NONE.

**ESTIMATED SHIPPING WEIGHT <sup>4</sup>**

Case			Solid End
	8 ft	12 ft	(each)
<b>lb (kg)</b>	900 (408)	1000 (454)	50 (23)

<sup>4</sup> Actual weights will vary according to optional kits included.

**Fan Wiring  
Offtime Defrost**



**WARNING**

All components must have mechanical ground, and the merchandiser must be grounded.

CIRCLED NUMBERS = PARTS LIST ITEM NUMBERS

● = 120V POWER    ○ = 120V NEUTRAL