

Installation
& Operation
Manual

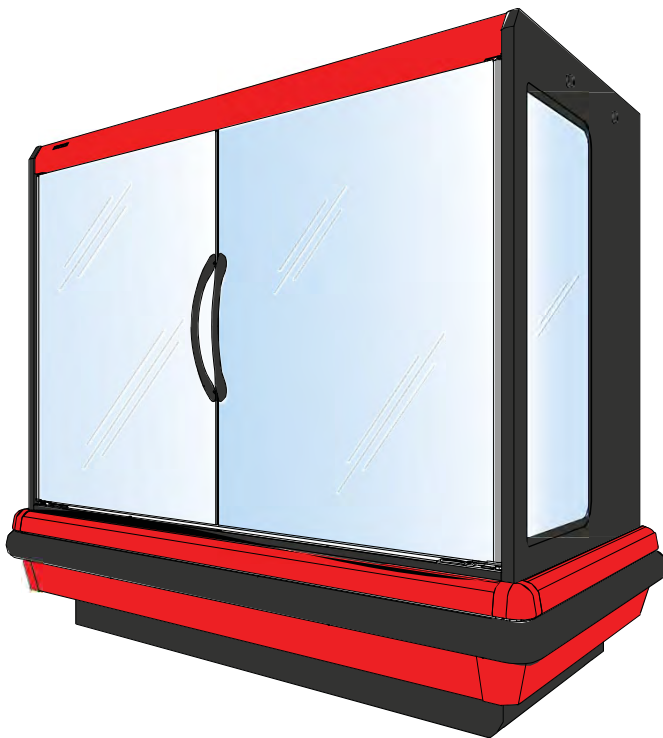
REV. 0424

HUSSMANN®/CHINO

**ISLA
FLEXIBLE ISLAND
MERCHANDISER WITH
ECOVISION DOORS**

HUSSMANN®

ISLA
IM-05R-ECDR
FLEXIBLE ISLAND
MERCHANDISER
WITH ECOVISION
DOORS



INSTALLATION & OPERATION GUIDE

1. General Instructions

This Booklet Contains Information on:

ISLA-W/Doors A multi deck enclosed Self-Service case designed to display pre-packaged Deli, Bakery, Meat, Seafood, and/or Beverage products.

Shipping Damage

All equipment should be thoroughly examined for shipping damage before and during unloading.

This equipment has been carefully inspected at our factory and the carrier has assumed responsibility for safe arrival. If damaged, either apparent or concealed, claim must be made to the carrier.

Apparent Loss or Damage

If there is an *obvious loss or damage*, it must be noted on the freight bill or express receipt and signed by the carrier's agent; otherwise, carrier may refuse claim. The carrier will supply necessary claim forms.

Concealed Loss or Damage

When loss or damage *is not apparent until after all equipment is uncrated*, a claim for concealed damage is made. Make request in writing to carrier for inspection within 15 days, and retain all packaging. The carrier will supply inspection report and required claim forms.

Shortages

Check your shipment for any possible shortages of material. If a shortage should exist and is found to be the responsibility of Hussmann Chino, *notify Hussmann Chino*. If such a shortage involves the carrier, *notify the carrier immediately*, and request an inspection. Hussmann Chino will acknowledge shortages within ten days from receipt of equipment.

Hussmann Chino Product Control

The serial number and shipping date of all equipment has been recorded in Hussmann's files for warranty and replacement part purposes. All correspondence pertaining to warranty or parts ordering must include the serial number of each piece of equipment involved, in order to provide the customer with the correct parts.

Keep this booklet with the case at all times for future reference.

HUSSMANN®/CHINO

A publication of HUSSMANN® Chino
13770 Ramona Avenue • Chino, California 91710
(909) 628-8942 FAX
(909) 590-4910
(800) 395-9229

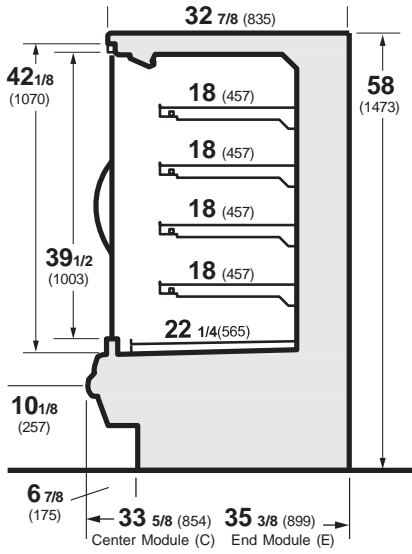
www.hussmann.com

2. Table of Contents

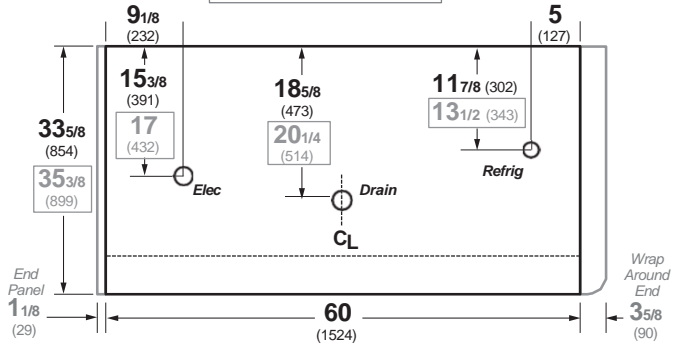
1. General Instructions.....	2
2. Table of Contents	3
3. Cut and Plan Views	4
4. Installation.....	5
5. Plumbing	19
6. Refrigeration	24
7. Electrical.....	26
8. Specification Sheet	27
9. Electrical Wiring Diagrams Index.....	28
10. Electrical Wiring Diagrams	29
11. User Information.....	34
12. Shelf Weight Limits	35
13. Maintenance.....	36
Maintenance (Cont'd)	37
14. Troubleshooting Guide	38
15. Appendices	40
Appendix A. - Temperature Guidelines	40
Appendix B. - Application Recommendations	40
Appendix C. - Field Recommendations.....	40
Appendix D. - Recommendations to User.....	41

3. Cut and Plan Views

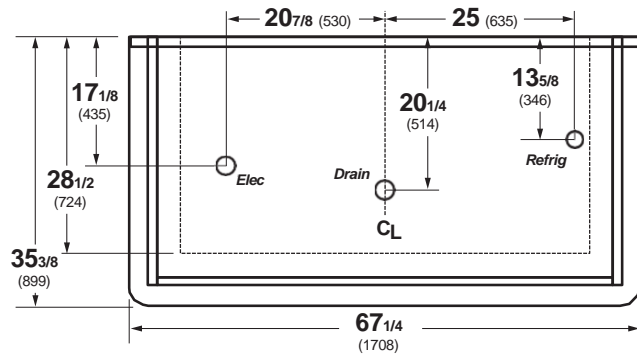
IM-05R-ECDR
Refrigerated Self-Service with doors



IM-C5-R Center Module / IM-I5-R In-line Module



IM-04-E5-R, IM-05-E5-R End Module



4. Installation

Location

The refrigerated merchandisers have been designed for use only in air conditioned stores where temperature and humidity are maintained at or below 75°F and 55% relative humidity. DO NOT allow air conditioning, electric fans, ovens, open doors or windows (etc.) to create air currents around the merchandiser, as this will impair its correct operation.



Uncrating the Stand

Place the fixture as close to its permanent position as possible. Remove the top of the crate. Detach the walls from each other and remove from the skid. Unbolt the case from the skid. The fixture can now be lifted off the crate skid. **Lift only at base of stand!**

Exterior Loading

These models have not been structurally designed to support excessive external loading. **Do not walk on their tops;** This could cause serious personal injury and damage to the fixture.

Setting and Joining

The sectional construction of these models enable them to be joined in line to give the effect of one continuous display. A joint trim kit is supplied with each joint.



**ATTENTION
INSTALLER**

It is the contractor's responsibility to install case(s) according to local construction and health codes.

Leveling

IMPORTANT! IT IS IMPERATIVE THAT CASES BE LEVELED FROM FRONT TO BACK AND SIDE TO SIDE PRIOR TO JOINING. A LEVEL CASE IS NECESSARY TO INSURE PROPER OPERATION, WATER DRAINAGE, GLASS ALIGNMENT AND OPERATION OF THE HINGES SUPPORTING THE GLASS. LEVELING THE CASE CORRECTLY WILL SOLVE MOST HINGE OPERATION PROBLEMS.

- Note:**
- A. To avoid removing concrete flooring, begin lineup leveling from the highest point of the store floor.
 - B. When wedges are involved in a lineup, set them first.

ISLA Body Panel Removal and Installation

Transportation:

All Lower and Bottom Body panels on the ISLA should be removed for extended transportation (jacking, lifting, crating, etc.)

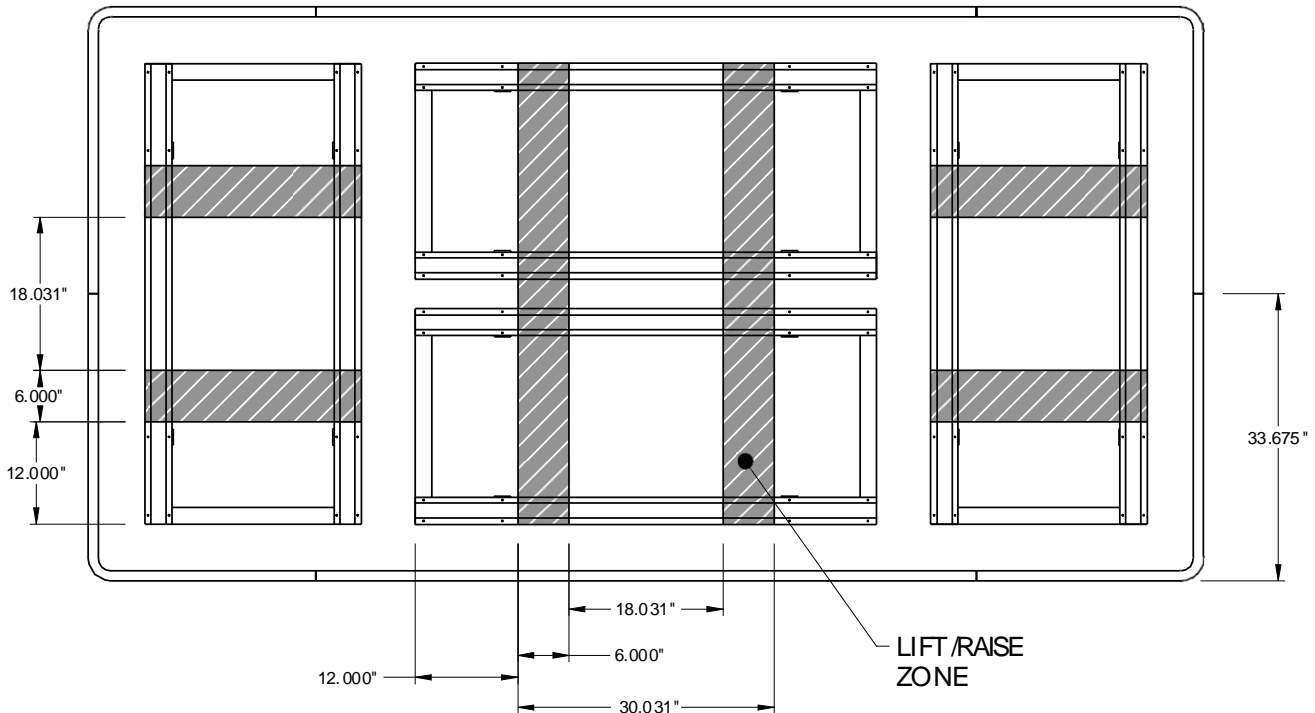
Service:

For most service applications (drains, piping, electrical), only the Bottom Body panels need removal. Removing both panels may be more convenient.

- Note:** **The Bumper and Price Tag Extrusion should only be serviced by a trained installation professional. Incorrect servicing will result in damage.**

Installation (Cont'd)

ISLA Lifting and Transport Instructions



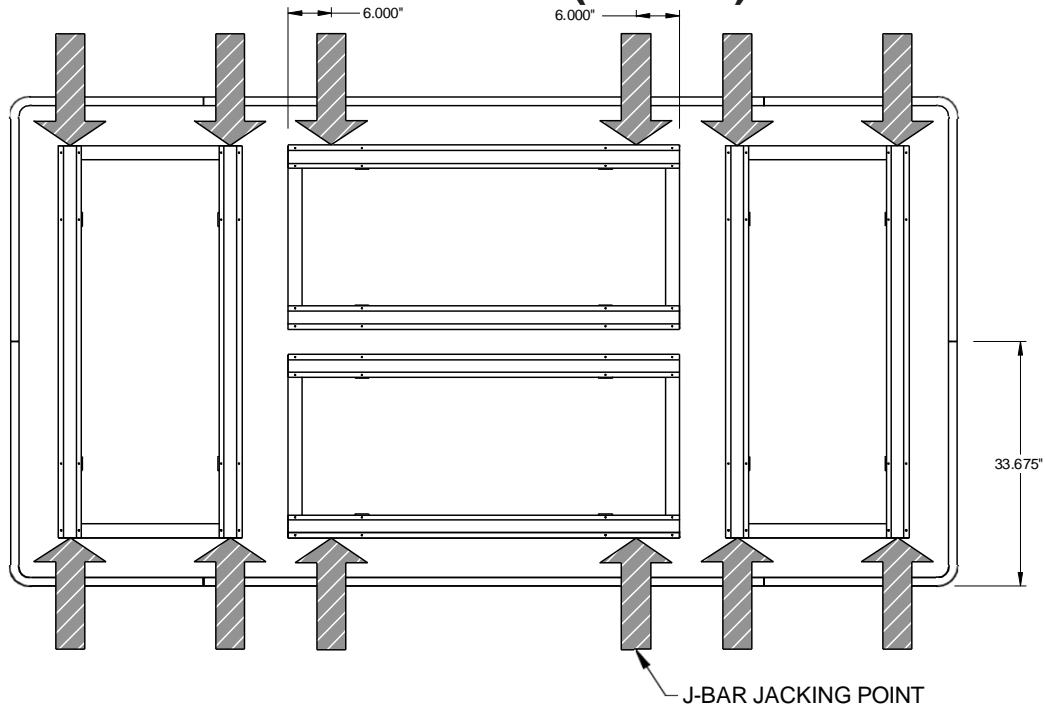
1. The ISLA can be lifted by a forklift only at the specified location in the diagram



Improper placement of forks may damage drainage piping. Use a spotter when placing forks. Make sure that piping will not be damaged. Use J-Bars or Jacks if Forks cannot be used safely

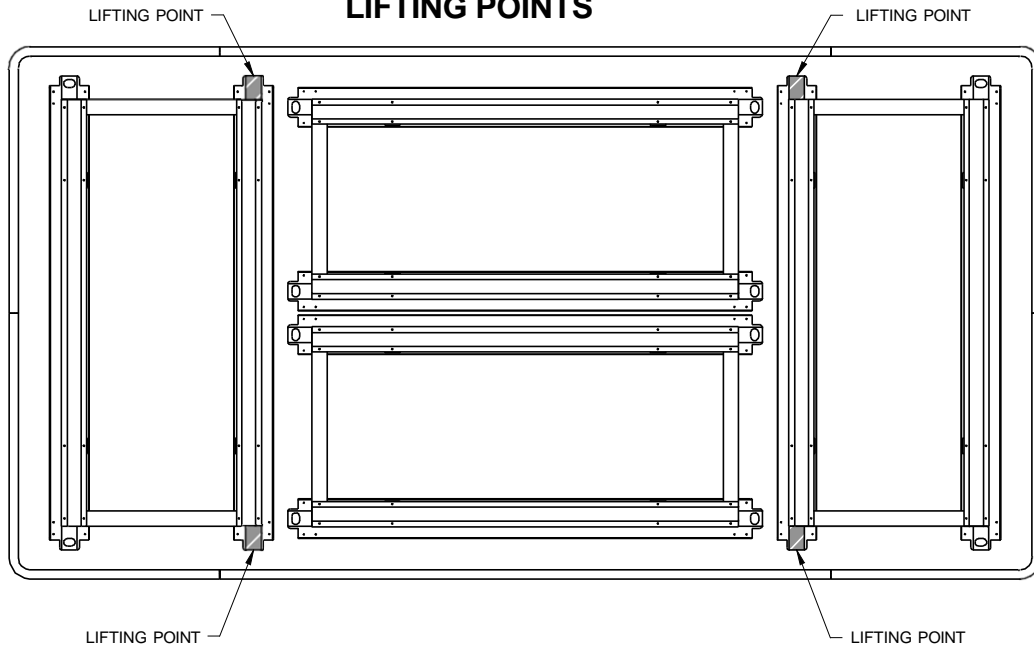
2. Remove close-offs and lower body panels before lifting with a fork. Serious damage will occur if the body panels are not removed.
 - Remove the end case lower and bottom panels first
 - Then remove the side case lower and bottom panels
 - A Phillips head screwdriver/drill is needed for lower and bottom panel removal
3. Make sure that fork spacing and width will not damage drain, piping, or electrical lines
4. Be sure that the forks are long enough to support beyond the center of the case. Check for proper balance before moving. A minimum fork length of 36" is recommended for 68" wide cases
5. The ISLA can be raised at one end with a forklift to allow the placement of rollers or dollies. See figure on page 13 for J-bar and jacking instructions
6. Never drag or push the ISLA by ANY COMPONENT including ANY GLASS COMPONENT. This will result in damage to the base, and possibly damage to other components
7. Evenly support the entire base structure on rollers or dollies before attempting to move.

Installation (Cont'd)



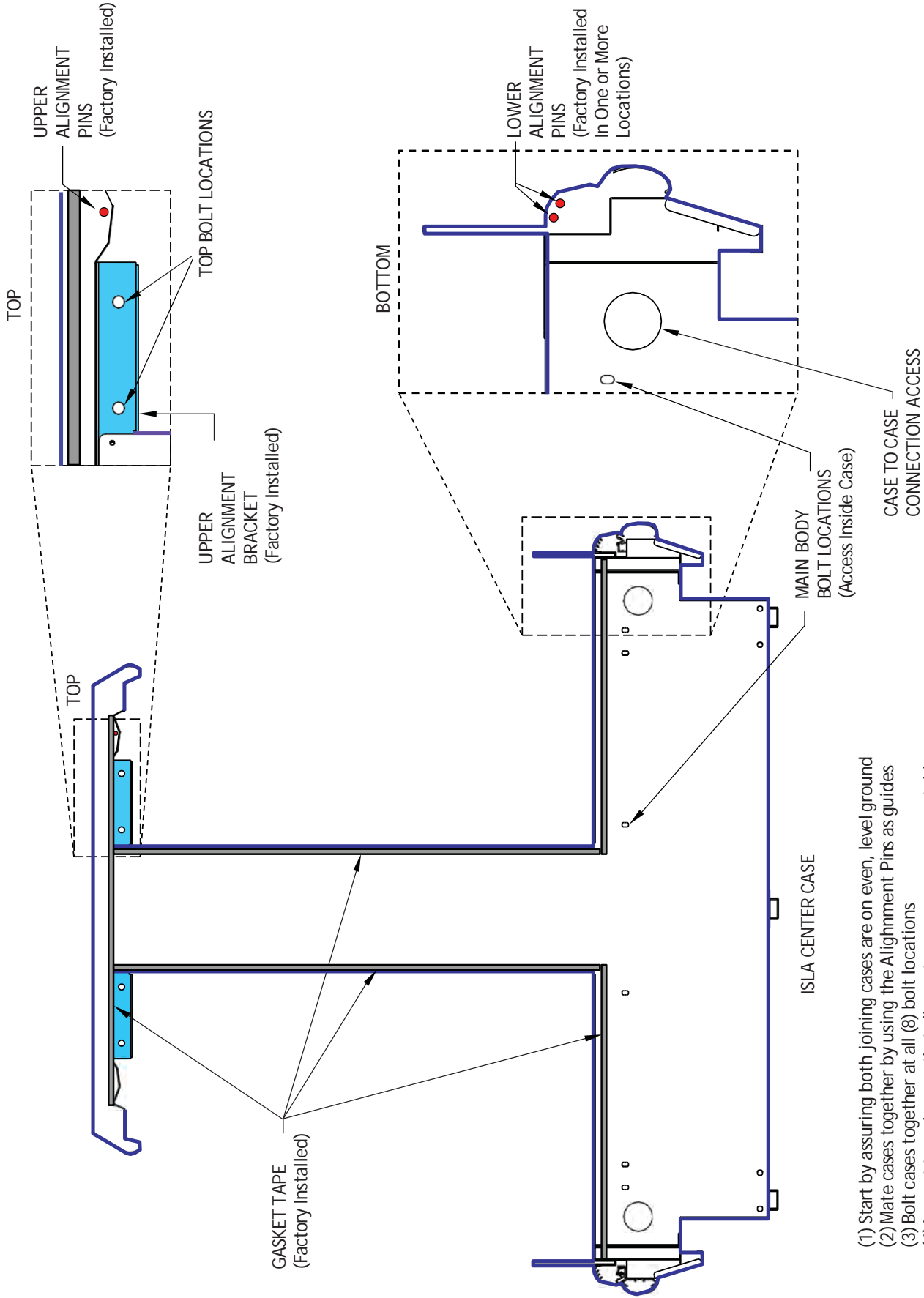
8. If using J-Bars, use the specified jacking points to raise the case
- Raise one side of the case first.
 - Use as many J-Bars as possible to lift from the base channels
 - A minimum of 2 J-Bars is required
 - Place Dollies and chock wheels before lifting the other side. Be sure that the dollies are evenly spaced to carry to weight of the case

FLOOR JACK/BOTTLE JACK LIFTING POINTS



9. If using Floor-jacks or Bottle-jacks, use the recommended lifting points located at the underside of the case
- These points will be visible channels
 - Lift simultaneously to place dollies or rollers

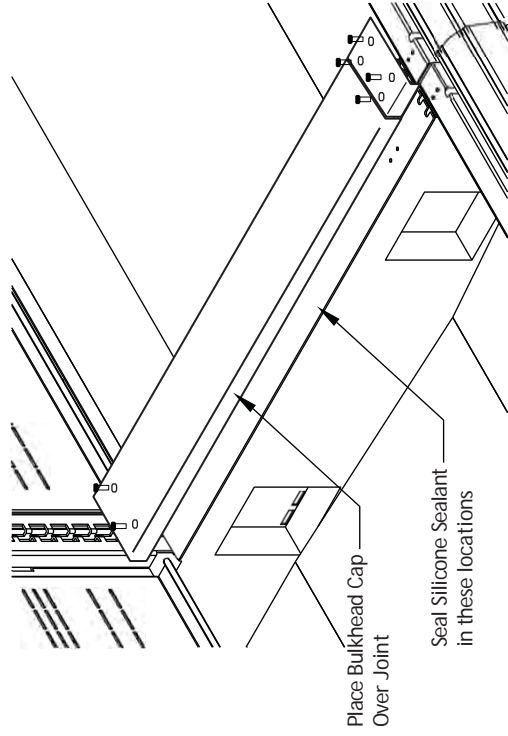
Installation (Cont'd)



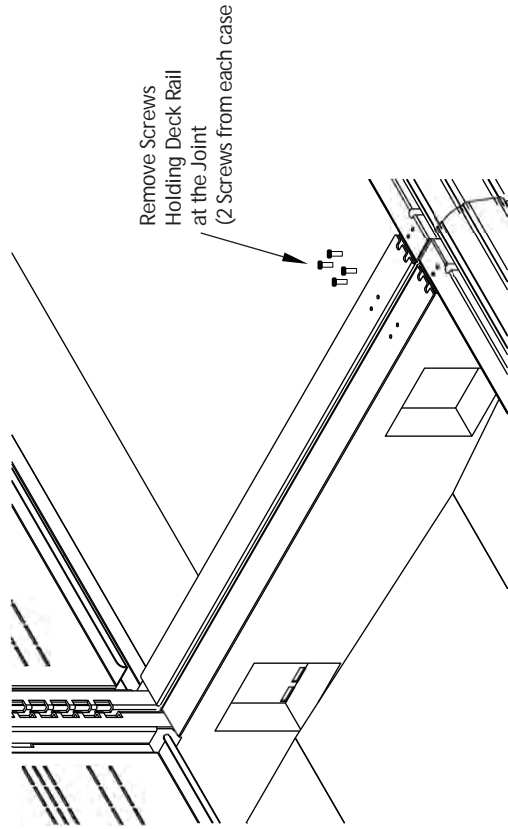
- (1) Start by assuring both joining cases are on even, level ground
- (2) Mate cases together by using the Alignment Pins as guides
- (3) Bolt cases together at all (8) bolt locations
- (4) Inspect to make sure that all case to case gaps are acceptable
- (5) Install Bulkhead Caps (see page 2)
- (6) Install Top and Fascia Joint Trim

ISLA CENTER CASE TO CASE ALIGNMENT Bulkhead Cap Installation

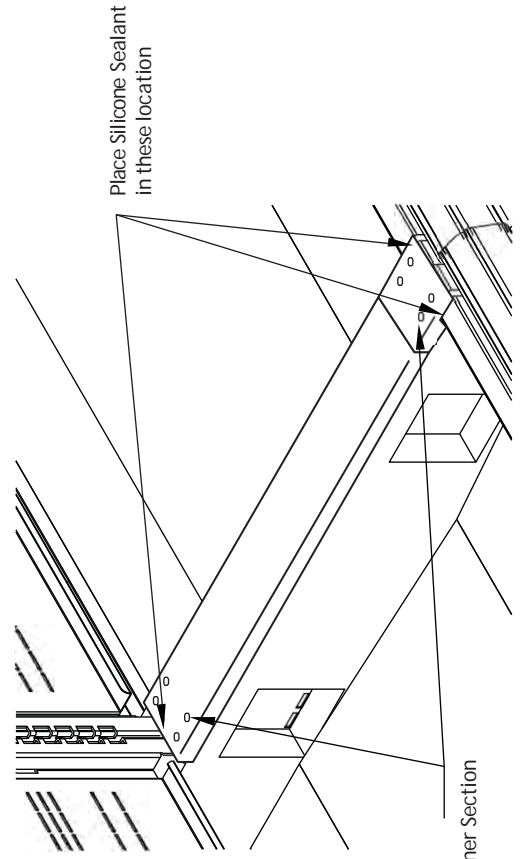
Installation (Cont'd)



NEXT



FIRST



FINALLY

- Replace Deck Rail Screws
- Add 2 Screws to Secure the Inner Section

Installation (Cont'd)

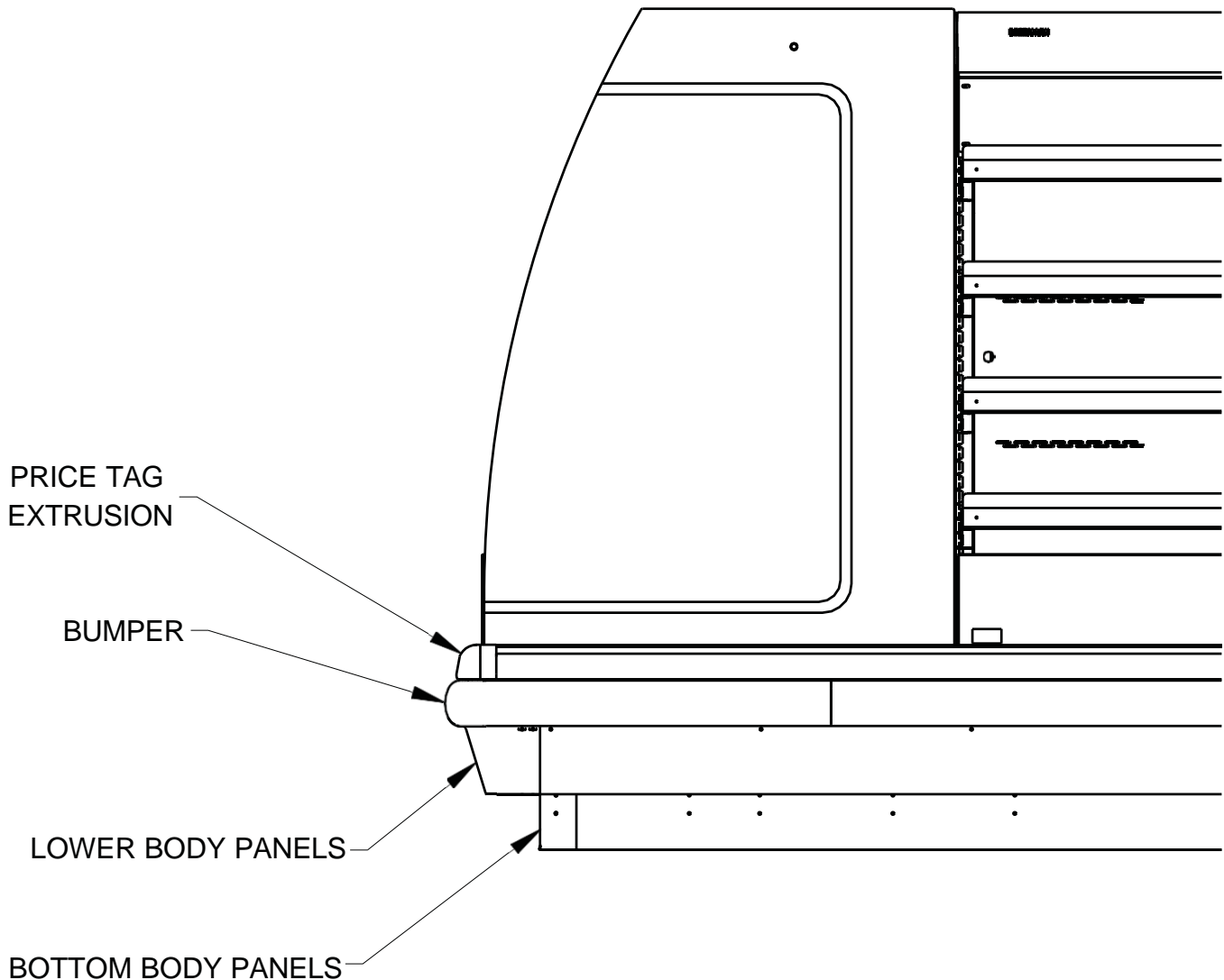
ISLA Transportation Guidelines



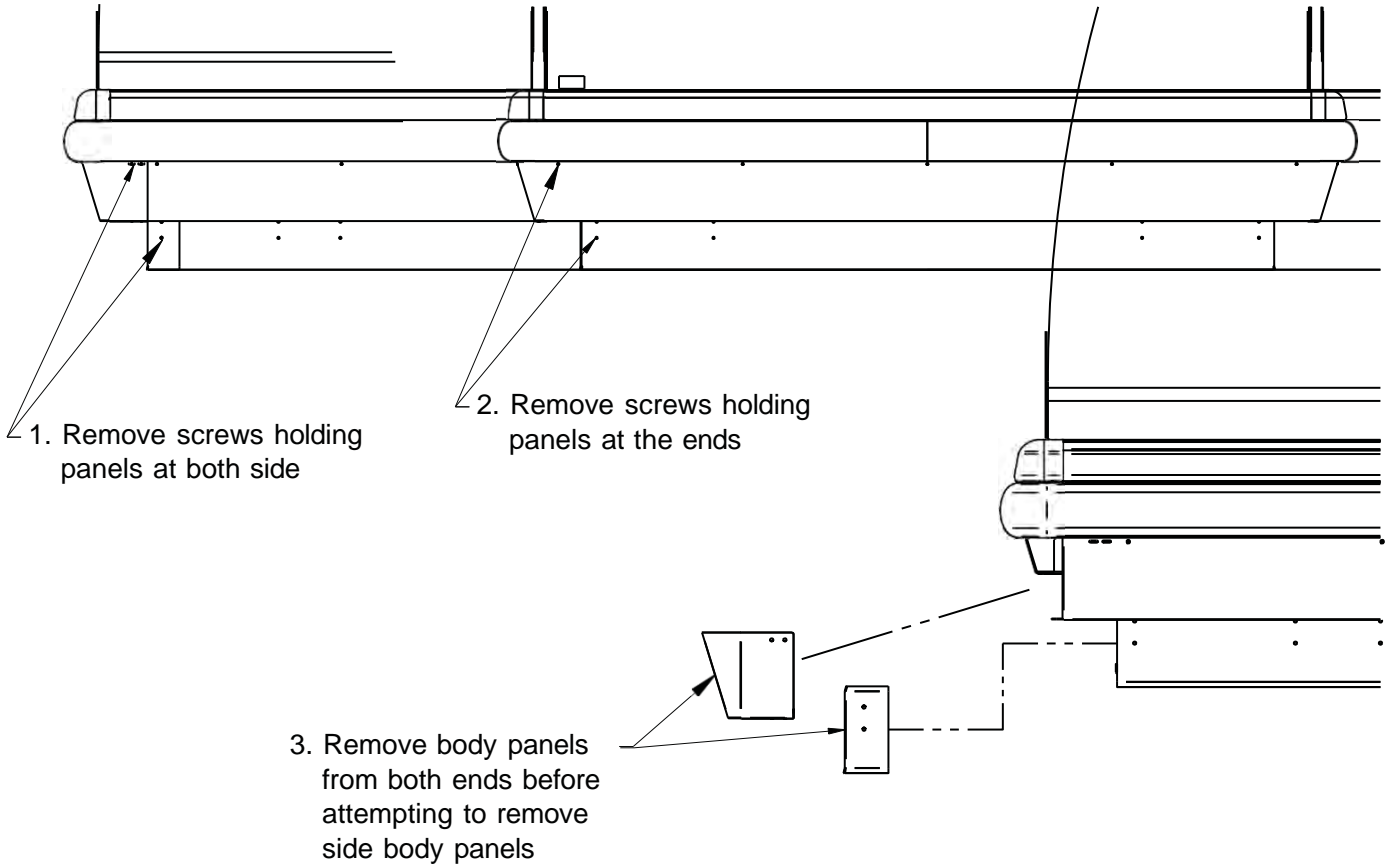
1. Do Not Push, Pull, Adjust, or Manipulate the ISLA case by any glass component.
 - Doing so will result in severe damage to such components
 - Glass Breakage may result in serious injury
 - See lifting and transport instructions for proper moving technique
2. Never stand on the ISLA Top, Deck, or any Shelves for any reason.

These surfaces are not steps and are not designed to support such loads.

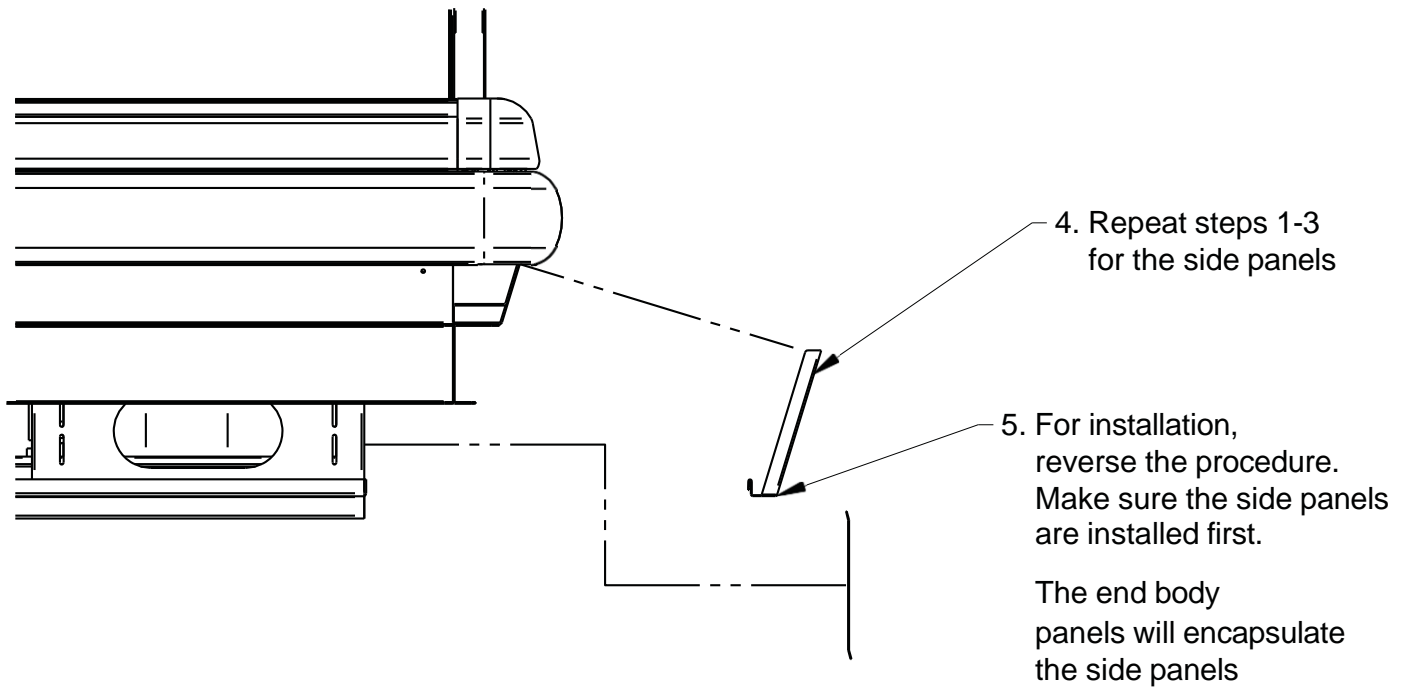
 - Misusing these surfaces as steps will result in damage to the case
 - Misusing these surfaces as steps may result in serious injury to the user
 - These surfaces are intended for the storage and merchandising of food products
 - Use a ladder or designed structure to work above the case



Installation (Cont'd)



Note: The Lower and Bottom body panels can be removed independent of each other



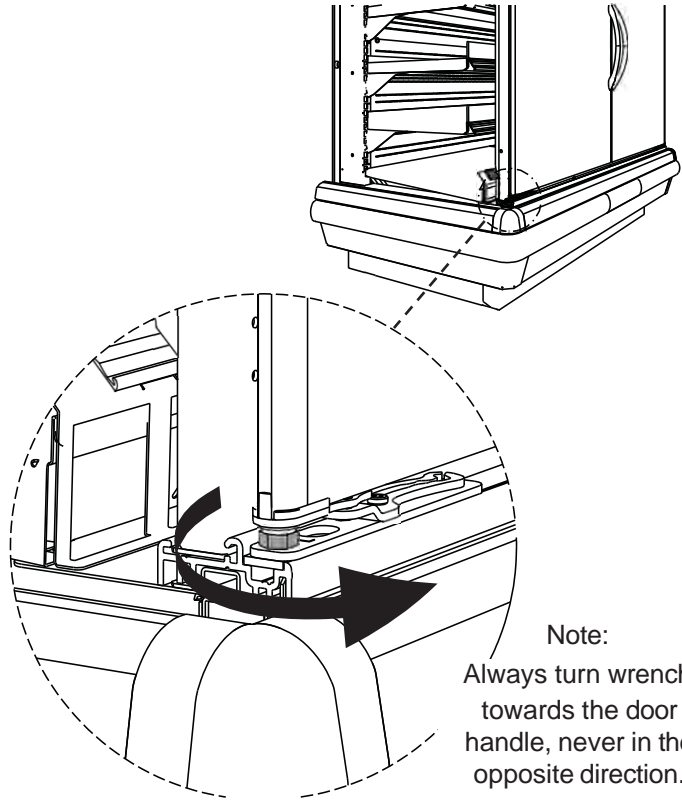
Note that lower side of the lower body panels must be properly placed around mounting surface to ensure proper fit.

Installation (Cont'd)

Ecovision Door Adjustment

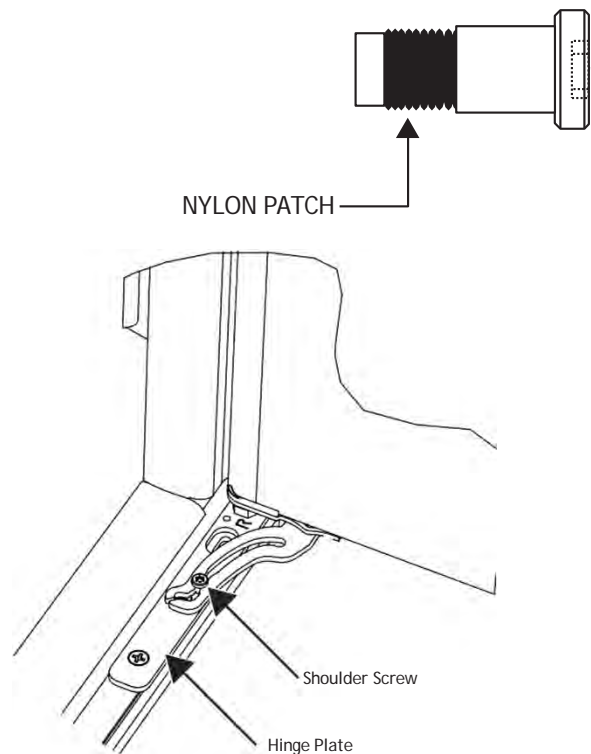
Increase / Decrease Door Tension

1. Check that each EcoVision door opens and closes properly. The door's closing speed may be adjusted by rotating the adjustable tension rods near the hinge of each door.
2. Use a 13mm wrench to adjust tension rod. To increase tension, turn wrench toward the door handle until tension rod seats in bottom hinge plate assembly. An audible "click" is heard while adjusting. Generally, the tension rod should be adjusted to 2 or 3 clicks. The maximum amount of clicks is 6. Do not overtorque.
3. Do not over-torque the hinge spring assembly. Lift door up and out of bottom hinge plate to remove door tension. Do not use wrench to decrease door tension as this may damage the star pattern on the bottom hinge plate assembly.



Attach the Hold Open Cam

1. Attach the hold open cam to the hinge plate using the Shoulder Bolt. Align the slot in the cam over the threads of the hinge plate and install the shoulder bolt through the cam. Never pry the cam open to install. This permanently damage the cam.



Installation (Cont'd)

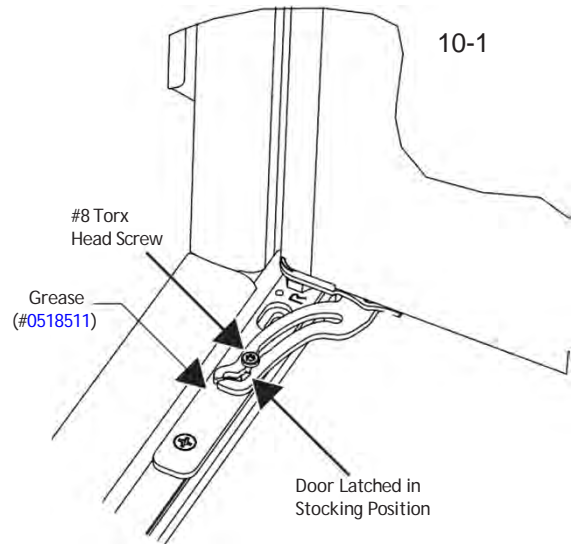
Door Hold Open

EcoVision doors have a door hold open latch that allows the doors to remain in an open position. This feature is especially useful for stocking the merchandiser with product or cleaning the merchandiser's interior.

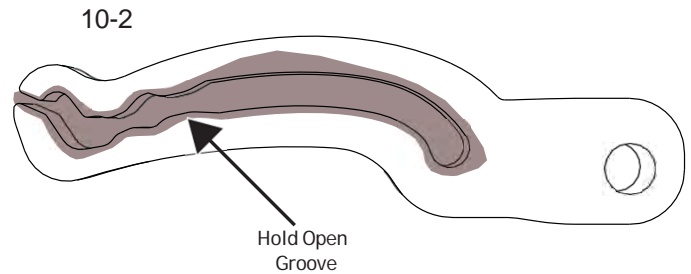
Hold open is factory installed on the door. Once door is installed in the bottom hinge plate, fasten #8 torx head screw as shown in 10-1.

The door hold open is located on each door, near the bottom of the door. The hold open latch comes pre-greased from the factory. Verify grease is in the shaded area inside and around the groove in the cam as shown in 10-2. Open door until hold open engages and locks into position. A clicking sound will be heard. To close door push it until it disengages.

DO NOT pry open Cam to pass shoulder screw onto Cam. This will permanently damage the cam. Screw must be inserted into Cam Slot, and then torqued down.



Cam slot is positioned over the screw hole then the Torx screw is attached.



Installation (Cont'd)

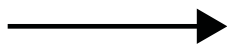
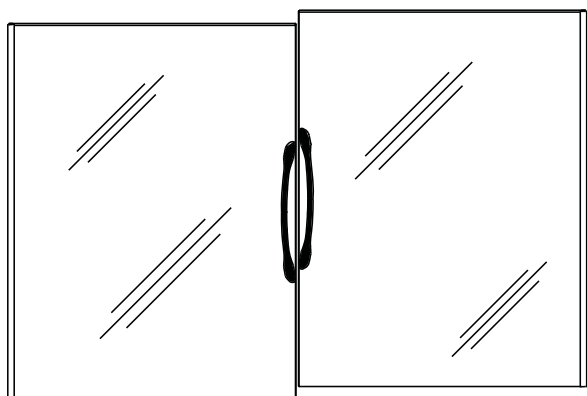
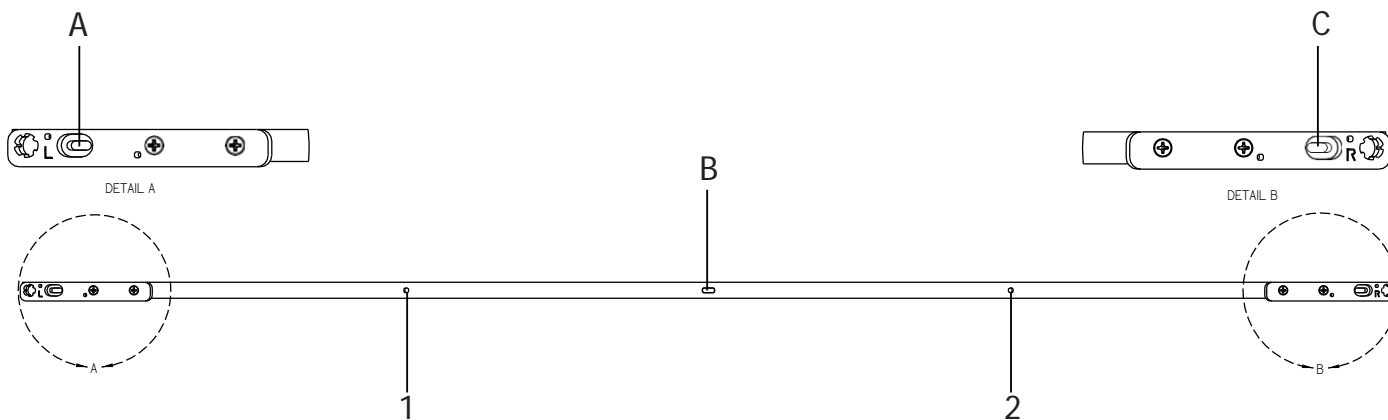
Adjusting Ecovision Doors

A. Leveling — Merchandisers must be installed level to ensure proper operation of the refrigeration system, and to ensure proper drainage of defrost water.

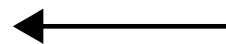
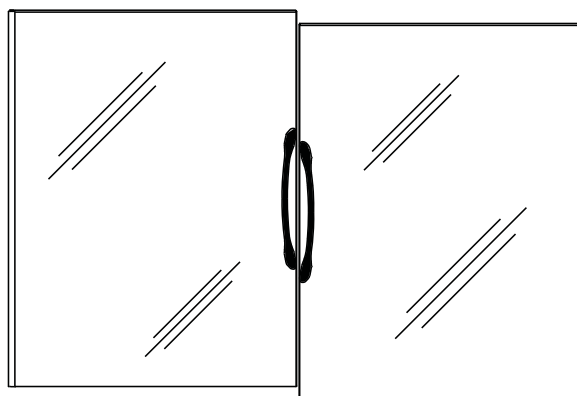
Glass alignment is also affected with improper leveling of the merchandisers. All steps of setting, joining and case leveling is critical. Attention to the glass position is also critical. Do not attempt to make glass adjustments prior to case leveling.

B . Door Adjustment — Loosen the screws A,B and C as shown below (Do not remove the screws completely).

Slide the bottom plate left or right until proper alignment is achieved. Retighten the screws A, B and C. Install fasteners in locations 1 and 2 as shown below.



To correct shift the Bottom Plate to the RIGHT.



To correct shift the Bottom Plate to the LEFT.

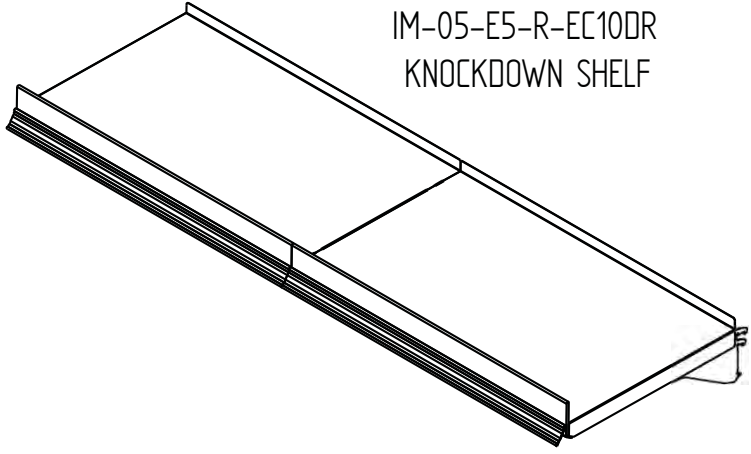


SCREW 8-18 X 1-1/4 HEX
WASHER HEAD SS
BLACK #2 BSD

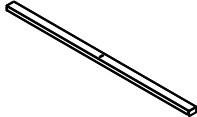
When doors are level, install remaining screws in hinge plate. Total of 5 screws in each hinge plate

Installation (Cont'd)

IM-05-E5-R-EC10DR KNOCKDOWN SHELF



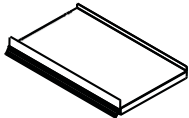
SHELF BRACKET X 2



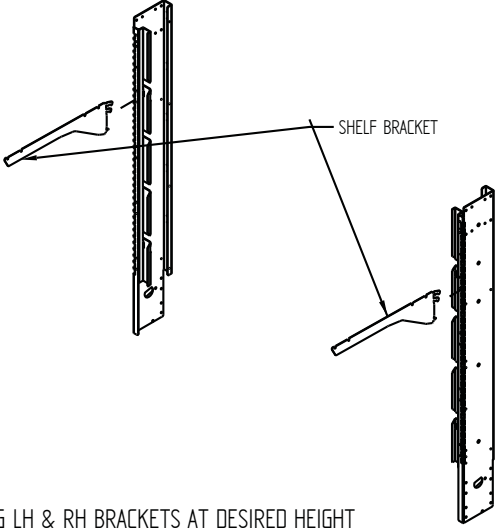
SUPPORT CHANNEL X 2



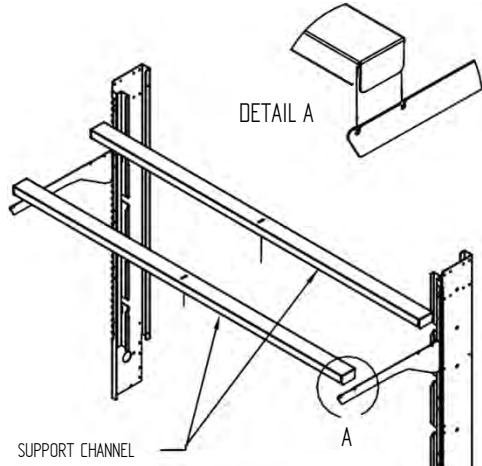
LH SHELF ASSEMBLY X 1



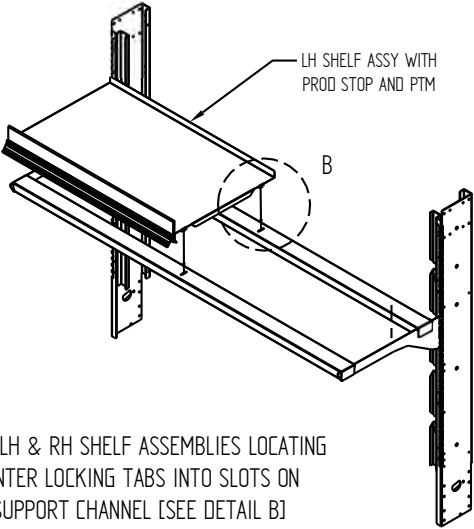
RH SHELF ASSEMBLY X 1



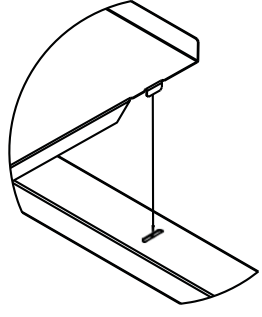
1) HANG LH & RH BRACKETS AT DESIRED HEIGHT
[ENSURE THAT BOTH BRACKETS ARE AT THE SAME HEIGHT]



2) INSTALL FRONT AND REAR SUPPORT CHANNELS
SO THAT THEY ARE FLUSH TO THE BRACKET
USING THE LOCATING SLOTS [SEE DETAIL A]



3) INSTALL LH & RH SHELF ASSEMBLIES LOCATING
CENTER LOCKING TABS INTO SLOTS ON
SUPPORT CHANNEL [SEE DETAIL B]



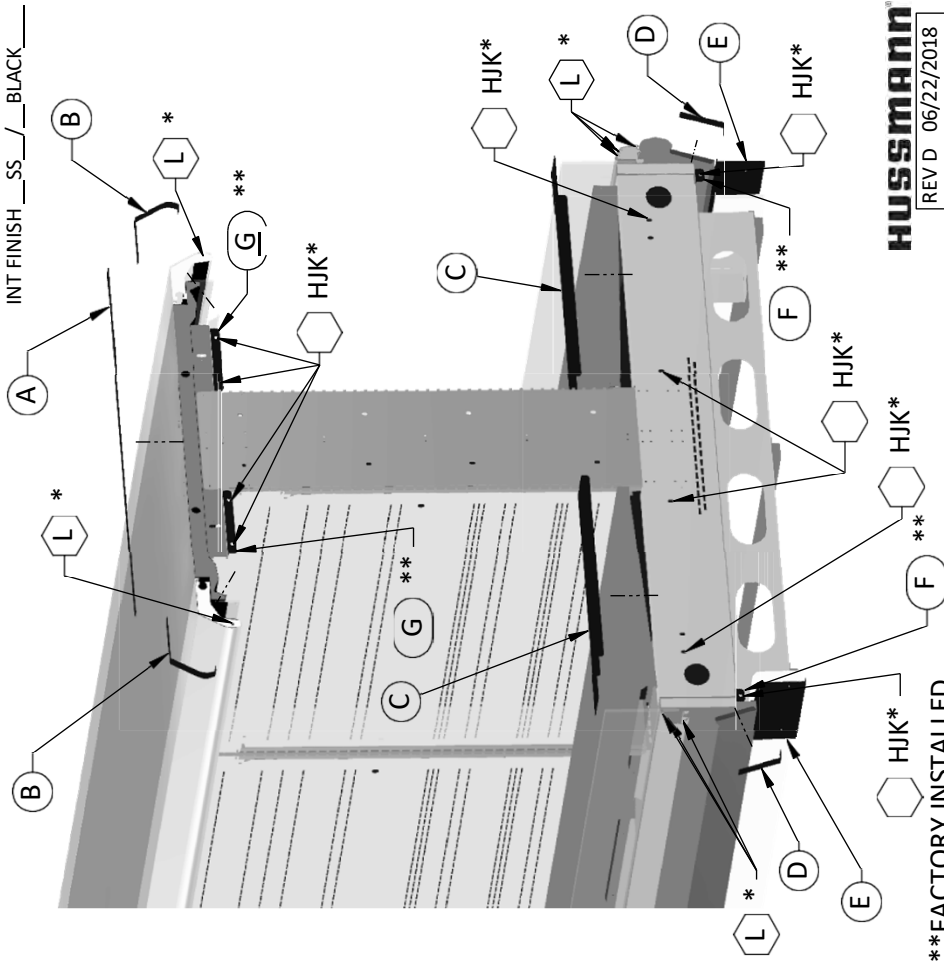
DETAIL B

ISLA CENTER JOINT CHECKSHEET

*SEE INSTALLATION GUIDE

PART#: CS00003
 INSPECTOR _____
 SALES ORDER # _____
 EXT COLOR _____
 INT FINISH __SS__/_BLACK__

INDICATES CASE BOLTING/ALIGNMENT POINT



HUSSMANN
 REV D 06/22/2018

**FACTORY INSTALLED

CHK	ITEM	PART #	QTY	GRAPHIC
<input type="checkbox"/>	TOP PANEL TRIM	2H13185004 (STAINLESS) 2H13185007 (EXT COLOR)	1	A
<input type="checkbox"/>	TOP PANEL TRIM (EXTENDED)	2H14788004 (STAINLESS) 2H14788007 (EXT COLOR)	1	A
<input type="checkbox"/>	TOP PANEL TRIM (EC10 & DR)	3048117004 (STAINLESS) 3048117005 (POWDERCOATED) 3048117007 (EXT COLOR)	1	A
<input type="checkbox"/>	FASCIA PANEL TRIM (STD & EC)	2H14787004 (STAINLESS) 2H14787007 (EXT COLOR)		
<input type="checkbox"/>	FASCIA PANEL TRIM (EC10 & DR)	3048118004 (STAINLESS) 3048118005 (POWDERCOATED) 3048118007 (EXT COLOR)		
<input type="checkbox"/>	BULKHEAD CAP	1H29849005	2	C
<input type="checkbox"/>	FRONT BODY PANEL TRIM	1H89055004 (STAINLESS) 1H89055007 (EXT COLOR)	2	D
<input type="checkbox"/>	TOE KICK TRIM	1H84484004 (STAINLESS) 1H84484005 (EXT COLOR)	2	E
<input type="checkbox"/>	ALIGNMENT BRKT, LOWER**	1H29848005	2	F
<input type="checkbox"/>	ALIGNMENT BRKT, UPPER**	1H29847005	2	G
<input type="checkbox"/>	NUT, 3/8 - 16	300-03-1370	10	H
<input type="checkbox"/>	WASHER, 3/8"	300-03-1320	10	J
<input type="checkbox"/>	BOLT, 3/8 - 16 X 1	300-03-0845	10	K
<input type="checkbox"/>	ALIGNMENT PIN	0468787	8	L
<input type="checkbox"/>	GASKET SEAL TAPE	225-01-0628	10 FT	M
<input type="checkbox"/>	SEALANT, BUTYL, TUBE	100-01-0121	1	N
<input type="checkbox"/>	SHIM	375-01-3004B	20	-
<input type="checkbox"/>	SEALANT, SILICONE, TUBE	100-01-0051 (WHITE) 100-01-0063 (SILVER) 100-01-0065 (BLACK)	1	-
<input type="checkbox"/>	SCREW, SELF TAP #8 X 1/2	300-03-0037	20	-
<input type="checkbox"/>	VHB DOUBLE-SIDED TAPE	175-01-0562	10 FT	-
<input type="checkbox"/>	DRAIN TRAP, PVC	225-01-1552	2	-

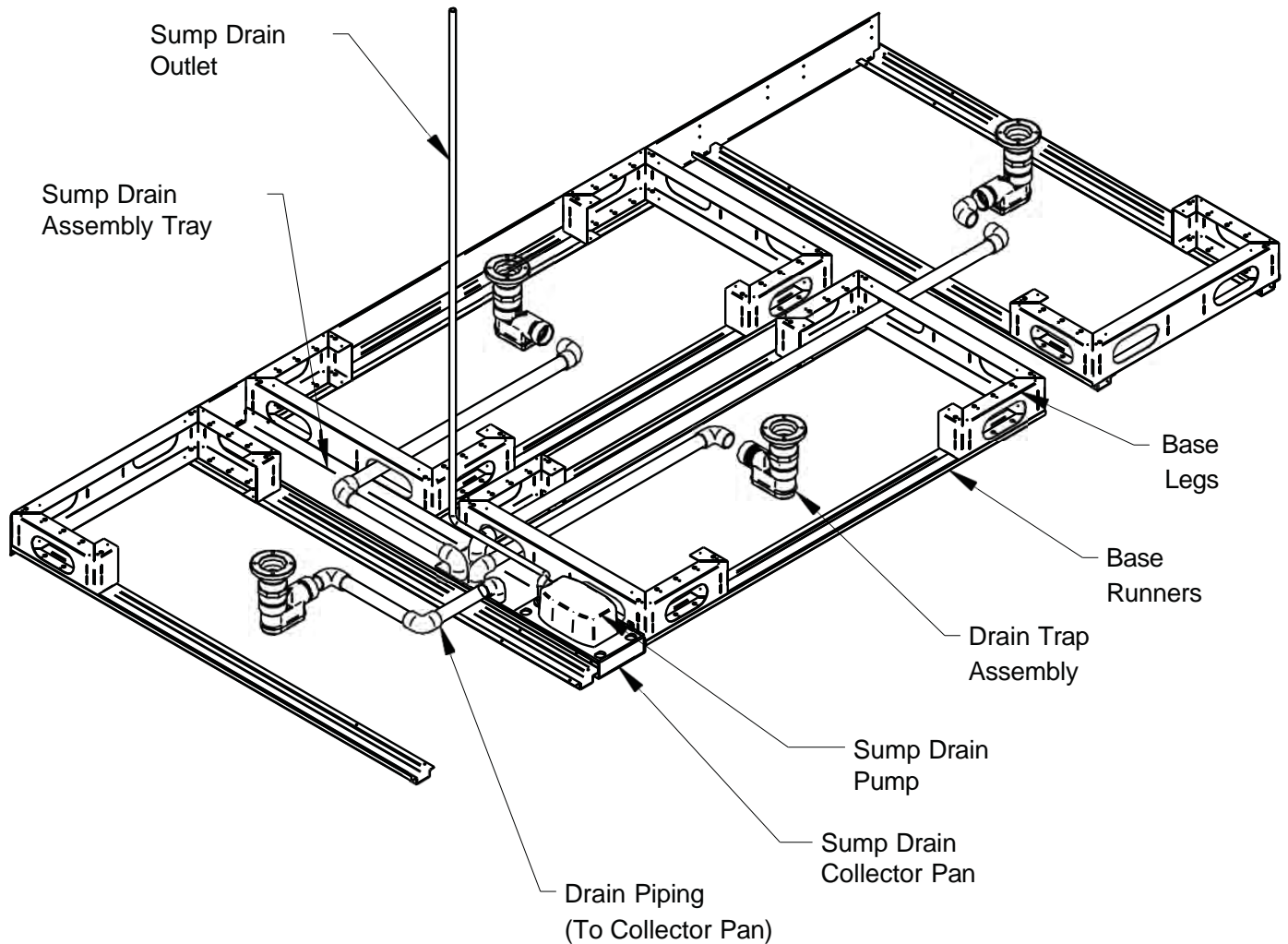
Installation (Cont'd)

ISLA Sump Pump Service Instructions

Note: Before attempting to service the sump pump and drain components, refer to the ISLA BODY PANEL REMOVAL and INSTALLATION GUIDE.

The Bottom (and possibly Lower) panels must be removed to allow access for servicing.

The Drain Sump will be full of drainwater. Use the appropriate Personal Protective Equipment (Gloves, Goggles, Sleeves, etc.) during removal.



Installation (Cont'd)

Note: The drainage system is always active, but sees most activity during defrost. If the refrigeration cannot be stopped, work on the drainage system between defrost periods.

1. Unplug Sump Pump (Not Pictured)

WARNING:

Servicing the drainage system with the sump pump energized may result in electrical shock!

2. Lift and remove (4) drain pipes from collector pan

Use a basin or shallow container as temporary sump while servicing.

3. Disconnect sump drain outlet from pump

The fitting will be either barbed or hose clamp

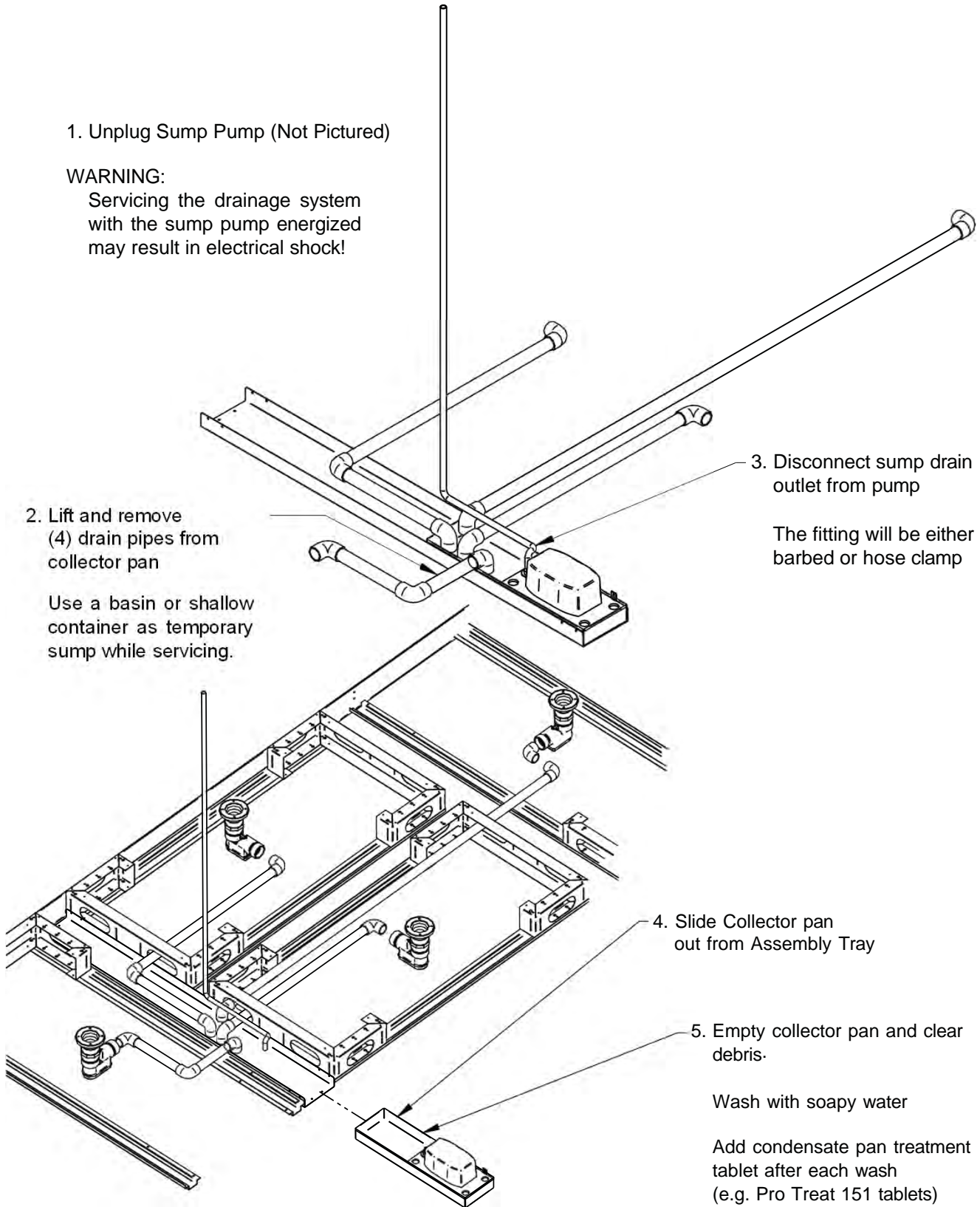
4. Slide Collector pan out from Assembly Tray

5. Empty collector pan and clear debris-

Wash with soapy water

Add condensate pan treatment tablet after each wash (e.g. Pro Treat 151 tablets)

6. Reverse procedure to reassemble



5. Plumbing

Waste Outlet and P-TRAP

The waste outlet is located in the center, 8" from the front of the case.

P-TRAPS must be installed at the base of all refrigerated cases. The 1 ½" P-TRAP and threaded adapter must be installed to prevent air leakage and insect entrance into the fixture.

Installing Condensate Drain

Poorly or improperly installed condensate drains can seriously interfere with the operation of this refrigerator and result in costly maintenance and product losses. Please follow the recommendations listed below when installing condensate drains to insure a proper installation:

1. Never use pipe for condensate drains smaller than the nominal diameter of the pipe or P-TRAP supplied with the case.
2. When connecting condensate drains, the P-TRAP must be used as part of the condensate drain to prevent air leakage or insect entrance. Store plumbing system floor drains should be at least 14" off the center of the case to allow use of the P-TRAP pipe section. Never use two water seals in series in any one line. Double P-TRAPS in series will cause a lock and prevent draining.
3. Always provide as much down hill slope ("fall") as possible; 1/8" per foot is the preferred minimum. PVC pipe, when used, must be supported to maintain the 1/8" pitch and to prevent warping.
4. Avoid long runs of condensate drains. Long runs make it impossible to provide the "fall" necessary for good drainage.
5. Provide a suitable air break between the flood rim of the floor drain and outlet of condensate drain. 1" is ideal.
6. Prevent condensate drains from freezing:
 - a. Do not install condensate drains in contact with non-insulated suction lines. Suction lines should be insulated with a nonabsorbent insulation material such as Armstrong's Armaflex.
 - b. Where condensate drains are located in dead air spaces (between refrigerators or between a refrigerator and a wall), provide means to prevent freezing. The water seal should be insulated to prevent condensation.

NOTE: A water Leak test was performed and passed inspection at the Manufacturing site before shipment. A proper sealing inspection is recommended before case start up.

WARNING!

Do NOT apply thread sealer to ABS P-Trap.



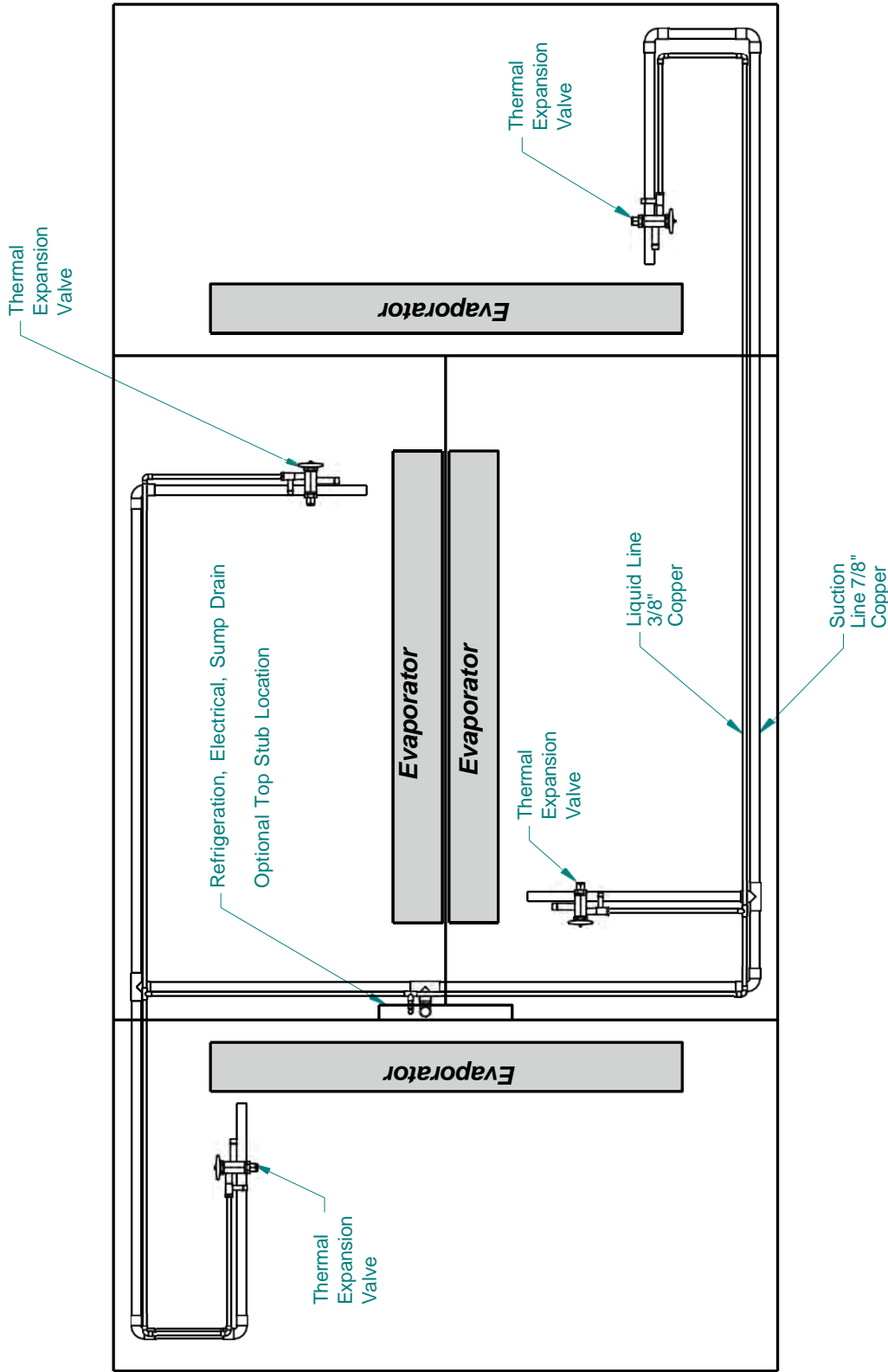
ISLA (Self Contained)

The waste outlet and P-TRAP are the same as the remote except hot air from the condenser is forced through the water evap assembly, evaporating the water.

Plumbing (Cont'd)

REV DCR DATE BY: HUSSEMAN *Chino*

See specific unit information for installation standards, including standards ISO7200, ISO128, and ISO5497.



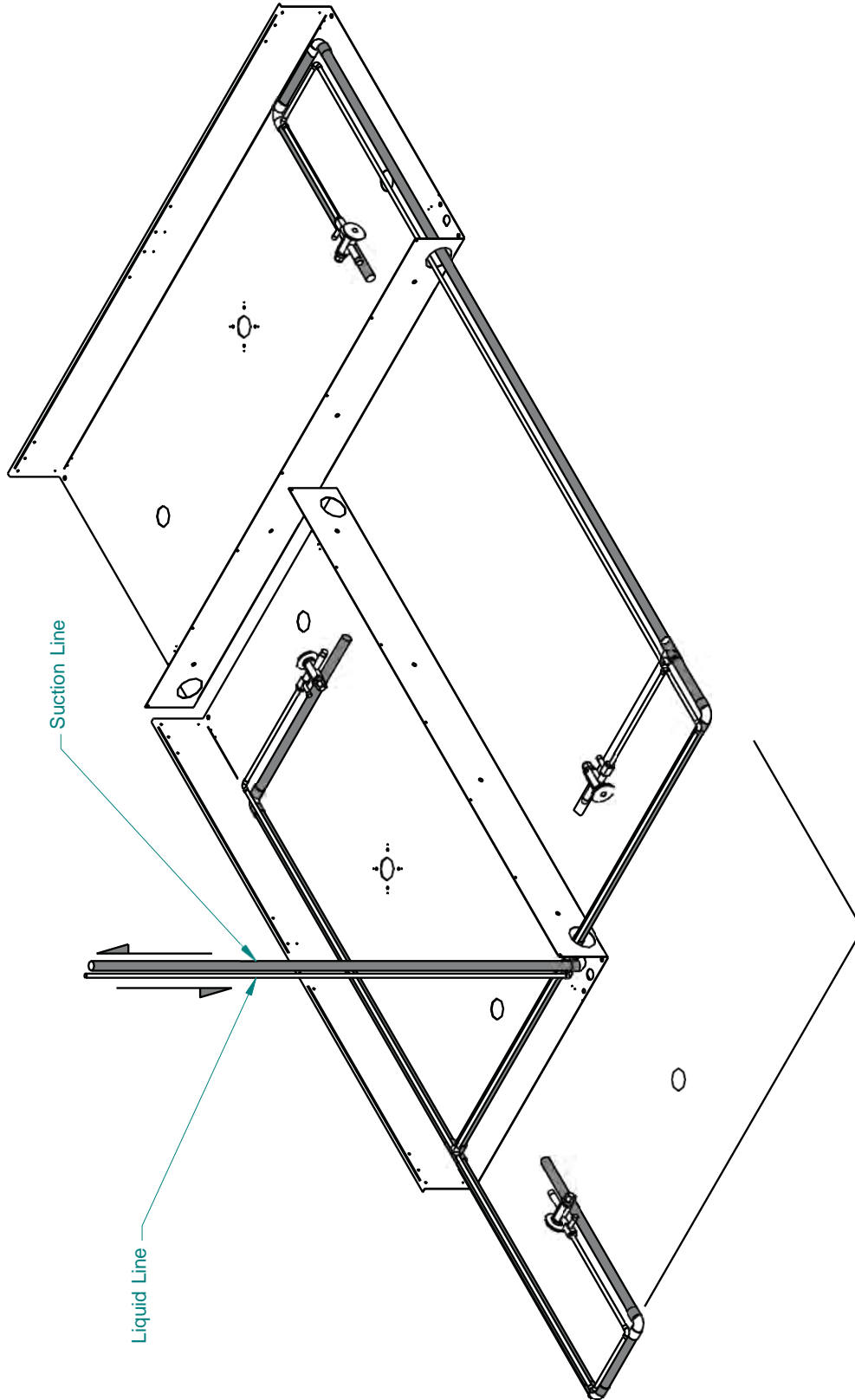
MATERIAL :	PART #	LB	ISLA 04/05	ISLA TOP STUB PIPING DIAGRAM	PART # : ISLA
					DWG DIR : ISLA ASSEMBLIES
					REF PRINT :
					5/18/2009
					mgliett

BLANK SIZE :

Plumbing (Cont'd)

See specific manufacturer instructions for installation and standards, including standards ISO7200, ISO128, and ISO5467.

REV DCR DATE BY:

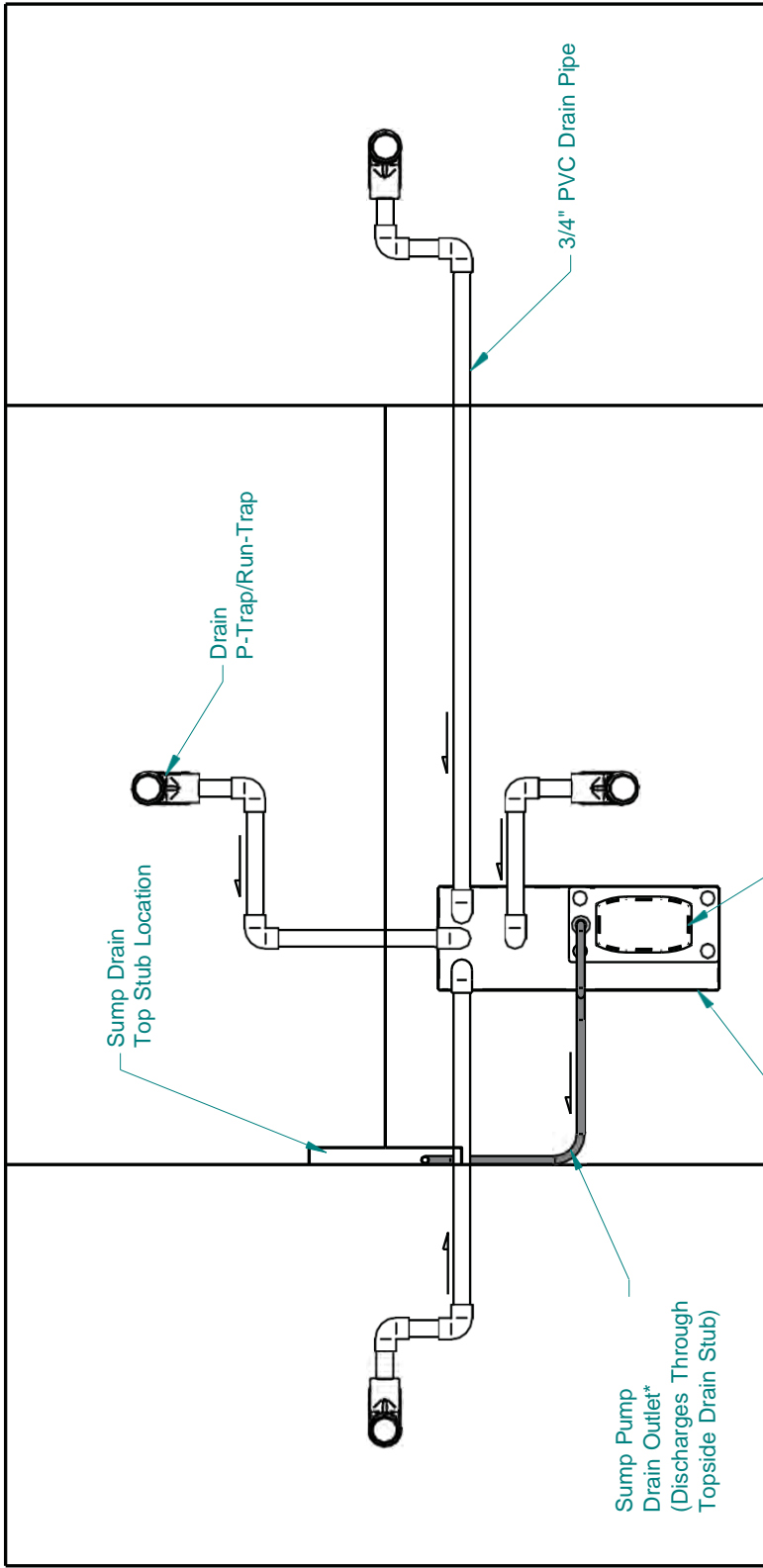


MATERIAL :	PART #	LB	BLANK SIZE :
			ISLA 04/05
	ISLA TOP STUB PIPING DIAGRAM		
	PART # :	ISLA	
	DWG DIR :	ISLA ASSEMBLIES	
	REF PRINT :	5/18/2009	
		mg/lett	

Plumbing (Cont'd)

REV DCR DATE BY: **HUSSMANN** *Chino*

Some specific parts listed may not be exact, but are the closest available. Including standards: ISO 7200, ISO 1206, and ISO 22801.

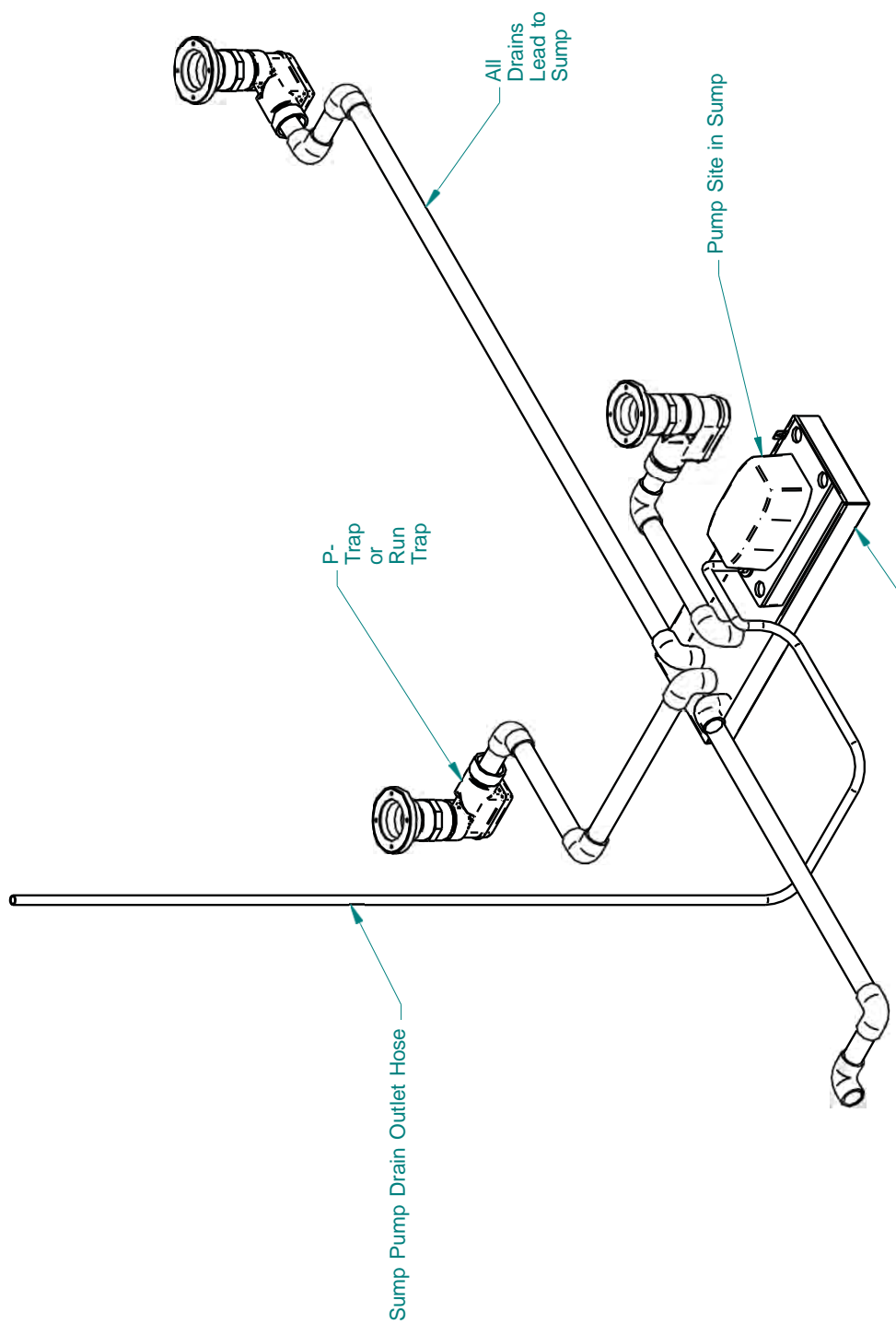


***Note: Pan and Pump Location may be different from indicated depending on base legs.**

MATERIAL :	PART #	LB	BLANK SIZE :	ISLA 04/05	ISLA TOP STUB PIPING DIAGRAM	PART # : ISLA
						DWG DIR : ISLA
						ASSOCIATES
						5/18/2009
						mgillett

Plumbing (Cont'd)

REV DCR DATE BY: **HUSSMANN** *Chino*



MATERIAL :	PART #	LB	ISLA 04/05	ISLA TOP STUB PIPING DIAGRAM	PART # : ISLA
					DWG DIR : ISLA ASSEMBLIES
					REF PRINT :
					5/18/2009
					mg/lfett

See specific manufacturer's instructions for details with ISO including standards ISO7240, ISO128, and ISO5467

6. Refrigeration

Refrigerant Type

The standard refrigerant will be R-404A unless otherwise specified on the customer order. Check the serial plate on the case for information.

Piping

The refrigerant line outlets are located under the case. Locate first the electrical box, the outlets are then on the same side of the case, but at the opposite end. Insulate suction lines to prevent condensation drippage.

Refrigeration Lines

Liquid	Suction
3/8" O.D.	5/8" O.D.

NOTE: The standard coil is piped at 5/8" (suction); however, the store tie-in may vary depending on the number of coils and the draw the case has. Depending on the case setup, the connecting point in the store may be 5/8", 7/8", or 1 1/8". Refer to the particular case you are hooking up.

Refrigerant lines should be sized as shown on the refrigeration legend furnished by the store.

Oil traps must be installed at the base of all suction line vertical risers on refrigerated cases.

Pressure drop can rob the system of capacity. To keep the pressure drop to a minimum, keep refrigerant line run as short as possible, using the minimum number of elbows. Where elbows are required, use long radius elbows only.

Control Settings

Maintain these parameters to achieve near constant product temperatures. Product temperature should first be measured in the morning, after having been refrigerated overnight.

Access to TX Valves and Drain Lines

MECHANICAL - Remove product from left end of case. Remove product racks. Remove refrigeration and drain access panels (labeled). TX valve (mechanical only) and drain are located under the pans within the case.

ELECTRONIC - The electronic expansion valve master and slave cylinder(s) are located within the electrical access panel(s) in the rear of case. Rear panels lift up and out.

Electronic Expansion Valve (Optional)

A wide variety of electronic expansion valves and case controllers can be utilized. Please refer to EEV and controller Hussmann's information sheet. Sensors for electronic expansion valves will be installed on the coil inlet, coil outlet and in the discharge air. (Some supermarkets require a 4th sensor in the return air). Case controllers will be located in the electrical raceway or under the case.

Thermostatic Expansion Valve Location

An Alco balanced port expansion valve model is furnished as standard equipment, unless otherwise specified by customer. There is one expansion valve located on the right side of each evaporation coil under the bottom deck pans.

Expansion Valve Adjustment

Expansion valves must be adjusted to fully feed the evaporator. Before attempting any adjustments, make sure the evaporator is either clear or very lightly covered with frost, and that the fixture is within 10°F of its expected operating temperature.

Measuring the Operating Superheat

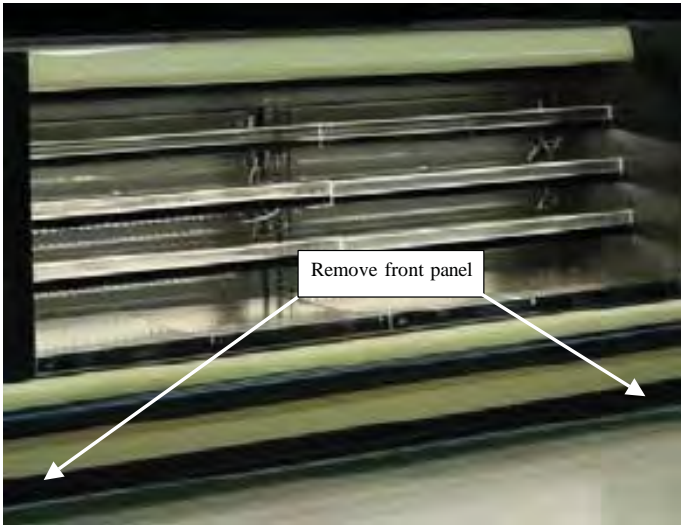
1. Determine the suction pressure with an accurate pressure gauge at the evaporator outlet.
2. From a refrigerant pressure temperature chart, determine the saturation temperature at the observed suction pressure.
3. Measure the temperature of the suction gas at the thermostatic remote bulb location.
4. Subtract the saturation temperature obtained in step No. 2 from the temperature measured in step No. 3.
5. The difference is superheat.
6. Set the superheat for 5°F - 7°F.

Condenser Ventilation

Be sure to Supply adequate ventilation for the condenser in Self Contained units. Allow 150 square inches for units up to 1 1/2 h.p., and 200 for condenser units over 2 h.p.

Refrigeration (Cont'd)

T-STAT Location (Remote cases only)



Step 1: Removal of cover: With power off remove screws and pull cover off



Start-up

Self Contained (Controller)

On self contained cases the unit is completely charged and tested to the proper temperature. Remove air grill panel by lifting up and tilting out. Access electrical panel by removing 4 screws. Turn on main switch at lower right hand side of electrical box. Follow instructions for Controller startup on page 22.

Remote

After proper testing, evacuation and charging, set the coil or evaporation temperature to 15°F by the method engineered into your system. A thermostat is located on the top of the case for temperature control. Set the thermostat to cycle in and out as per the ISLA technical data sheet.

7. Electrical

Wiring Color Code

<i>Standard Case Wire Color Code</i>	
<u>Color Description</u>	<u>Color</u>
■ Ground	Green
■ Anti-Sweat	Purple
■ Lights	Orange
■ Receptacles	Yellow
■ T-Stat/Solenoid 230VAC	Red/Black
■ T-Stat/Solenoid 115VAC	White/Black
■ T-Stat/Solenoid 24VAC	Red/White
■ Fan Motors	Brown
Blue Condensing Unit	

Use Copper Conductors Only
430-01-0338 R101003

CASE MUST BE GROUNDED

NOTE: Refer to label affixed to case to determine the actual configuration as checked in the "TYPE INSTALLED" boxes.

Electrical Circuit Identification


Standard lighting for all refrigerated models will be full length fluorescent lamps located within the case at the top.

The switch controlling the lights, the plug provided for digital scale, and the thermometer are located at the rear of the case mullion.

The receptacle that is provided on the exterior back of these models is intended for computerized scales with a five amp maximum load, not for large motors or other high wattage appliances. It should be wired to a dedicated circuit.

Field Wiring and Serial Plate Amperage

Field Wiring must be sized for component amperes printed on the serial plate. Actual ampere draw may be less than specified. Field wiring from the refrigeration control panel to the merchandisers is required for refrigeration thermostats. Case amperes are listed on the wiring diagram, but always check the serial plate.



DANGER

BEFORE SERVICING

ALWAYS DISCONNECT ELECTRICAL

POWER AT THE MAIN DISCONNECT

WHEN SERVICING OR REPLACING ANY

ELECTRICAL COMPONENT.

This includes (but not limited to) Fans, Heaters

Thermostats, and Lights.

Ballast/LED Driver Location

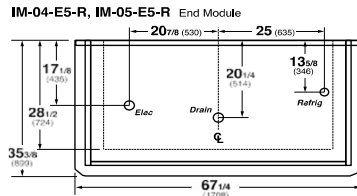
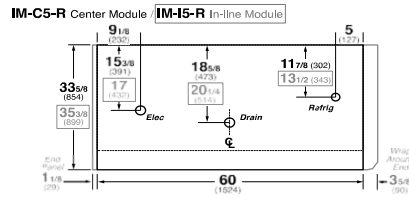
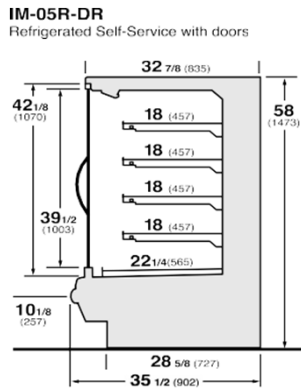
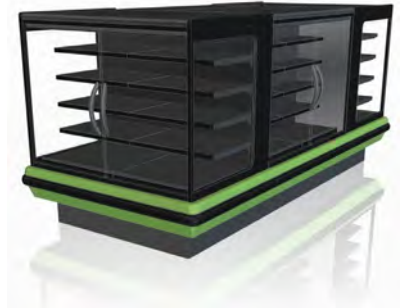
Ballasts / LED Drivers are located in the upper front fascia that runs the length of the case.

8. Spec Sheet



DELI SELF-SERVICE
HUSSMANN - IM-05-(E or C or I)(XX)-R-EC10DR (CHINO)
DOE 2017 Energy Efficiency Compliant
 Hussmann refrigerated merchandisers configured for sale for use in the United States meet or surpass the requirements of the DOE 2017 energy efficiency standards.

REVISION DATE 07/14/17



REFRIGERATION DATA:

CASE LENGTHS	CASE USAGE	CAPACITY *** (BTU/HR/FT)		TEMPERATURE (°F)			VELOCITY (FT/MIN)
		RATING CONDITION		EVAPORATOR		DISCHARGE AIR ** (°F)	
		NSF 7	AHRI 1200	NSF 7	AHRI 1200	NSF 7	
4',5',8',12'	DELI / BAKERY	195	145	26	33	30-32	125-150

CASE LENGTHS	EST. REFG. CHRGS. (LBS)	20°F GLYCOL 6° RISE	
		GPM	PSI
4'	1.0	0.3	0.1
5'	1.2	0.3	0.2
8'	2.0	0.5	0.2
12'	2.9	0.8	0.4

**FRONT DISCHARGE AIR MEASURED INSIDE AIR CURTAIN HONEYCOMB

***REFRIGERATION NOTES:

- 1) BTU'S INCLUDE CANOPY AND MULLION LIGHTS
- 2) ADD 10 BTU'S PER FOOT/PER SHELF ROW FOR OPTIONAL LED SHELF LIGHTS
- 3) AHRI 1200 RATING POINT FOR ENERGY CONSUMPTION COMPARISON ONLY
- 4) USE DEW POINT FOR HIGH GLIDE REFRIGERANTS. CARE SHOULD BE TAKEN TO USE THE DEW POINT IN P/T TABLES FOR MEASURING AND ADJUSTING SUPERHEAT. ADJUST EVAPORATOR PRESSURE AS NEEDED TO MAINTAIN THE DISCHARGE AIR TEMPERATURE SHOWN.
- 5) RATING CONDITION IS NSF TYPE I, 75°F/55% RH

REFRIGERATION DATA CONTINUED:

USAGE	ELEC. THERMOSTAT / AIR SENSOR SETTINGS		DEFROST TYPE	TIME (MIN)	DEFROST FREQUENCY (#/DAY)	TERM. TEMP (°F) COIL ONLY	DRIP TIME	DEFROST WATER (LBS/DAY/FT)
	CUT IN (°F)	CUT OUT (°F)						
DELI / BAKERY	32	30	OFF TIME	42	2	48	N/A	1.0

END PANEL WIDTH KEY		
# OF END PNLS	END PNL WIDTH (IN.)	TOTAL ADDED LENGTH (IN.)
1	1.125	1.125
2	1.125	2.25

ELECTRICAL DATA:

STANDARD FANS, HEATERS, LED LIGHTS (115 VOLT)

CASE LENGTH	EVAPORATOR FANS					OPTIONAL CANOPY LIGHTS LED		OPTIONAL MULLION LIGHTS LED		MAX. LED LOAD (W/ ALL OPTIONS)		ANTI-SWEAT HEATERS		CONVENIENCE OUTLETS (OPTIONAL)		
	# OF EVAP FANS	BLADE DIA. (IN.)	BLADE PITCH (°)	AMPS	WATTS	AMPS	WATTS	AMPS	WATTS	AMPS	WATTS	AMPS	WATTS	# OUTLETS	VOLTS	AMPS
4'	1	8	20	0.3	8	0.1	13	0.2	21	0.3	34	N/A	N/A	N/A	N/A	N/A
5'	1	8	25	0.3	8	0.1	15	0.2	21	0.3	36	N/A	N/A	N/A	N/A	N/A
8'	2	8	20	0.6	16	0.2	26	0.3	35	0.5	61	N/A	N/A	N/A	N/A	N/A
12'	3	8	20	0.9	24	0.3	39	0.4	49	0.8	88	N/A	N/A	N/A	N/A	N/A

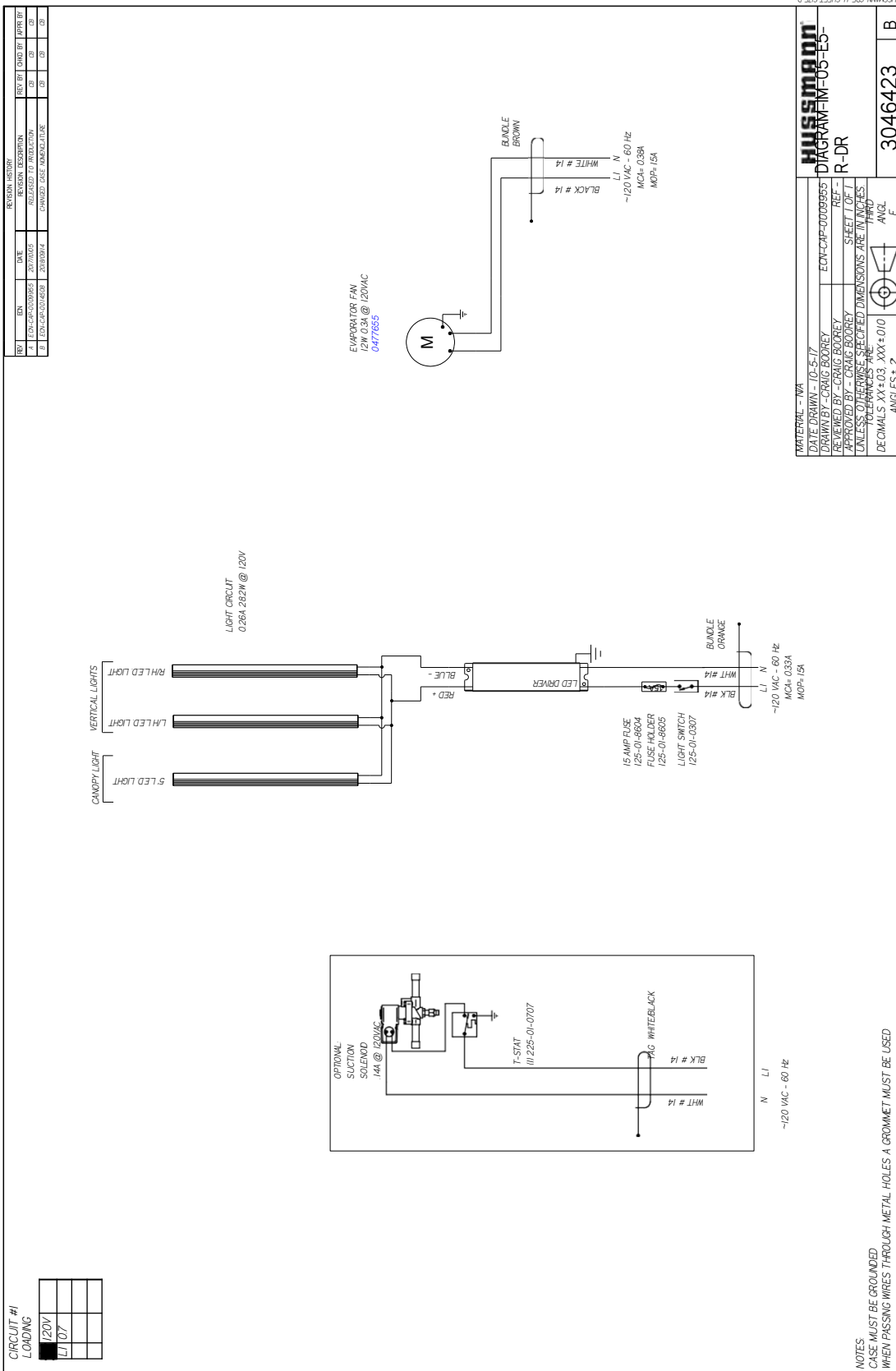
OPTIONAL HIGH OUTPUT LED LIGHTS (115 VOLT)

CASE LENGTH	CANOPY LIGHTS H.O. LED		OPTIONAL SHELF		MAX. H.O. LED LOAD	
	AMPS	WATTS	AMPS	WATTS	AMPS	WATTS
4'	N/A	N/A	N/A	N/A	N/A	N/A
5'	N/A	N/A	N/A	N/A	N/A	N/A
8'	N/A	N/A	N/A	N/A	N/A	N/A
12'	N/A	N/A	N/A	N/A	N/A	N/A

9. Electrical Wiring Diagrams

MODEL	DESCRIPTION	SIZE	DIAGRAM
IM-05 REMOTE	IM-05-C8-R-EC10DR	8'	3046422
	IM-05-E5-R-EC10DR	5'	3046423
	IM-05-I4/C4-R-DR	4'	3074731
	IM-05-I10/C10-R-DR	10'	3074732
	IM-05-I12/C12-R-DR	12'	3074733

Wiring Diagrams (Cont'd)



CIRCUIT #1
LOADING

120V			
L1	DT		

NOTES
CASE MUST BE GROUNDED
WHEN PASSING WIRES THROUGH METAL HOLES A GROMMET MUST BE USED

11. User Information

Stocking

Improper temperature and lighting will cause serious product loss. Discoloration, dehydration and spoilage can be controlled with proper use of the equipment and handling of product. Product temperature should always be maintained at a constant and proper temperature. This means that from the time the product is received, through storage, preparation and display, the temperature of the product must be controlled to maximize life of the product. Hussmann cases were not designed to "heat up" or "cool down" product - but rather to maintain an item's proper temperature for maximum shelf life. To achieve the protection required always:

1. Minimize processing time to avoid damaging temperature rise to the product. Product should be at proper temperature.
2. Keep the air in and around the case area free of foreign gasses and fumes or food will rapidly deteriorate.
3. Maintain the display merchandisers temperature controls as outlined in the refrigerator section of this manual.
4. Do not place any product into these refrigerators until all controls have been adjusted and they are operating at the proper temperature. Allow merchandiser to operate a minimum of 6 hours before stocking with any product.
5. When stocking, never allow the product to extend beyond the recommended load limit. Air discharge and return air flow must be unobstructed at all times to provide proper refrigeration.
6. Avoid the use of supplemental flood or spot lighting. Display light intensity has been designed for maximum visibility and product life at the factory. The use of higher output fluorescent lamps (H.O. and V.H.O.), will shorten the shelf life of the product.

Important Steps

1. Do not set temperature too cold, as this causes product dehydration. Refer to the ISLA technical data sheet for proper settings.
2. Temperature control should be by means of a T-STAT and Suction Solenoid or equivalent for each case.

Case Cleaning

Long life and satisfactory performance of any equipment are dependent upon the care given to it. To insure long life, proper sanitation and minimum maintenance costs, the refrigerator should be thoroughly cleaned frequently. **SHUT OFF FAN DURING CLEANING PROCESS.** It can be unplugged within the case, or shut off entire case at the source. The interior bottom may be cleaned with any domestic soap or detergent based cleaners. Sanitizing solutions will not harm the interior bottom, however, these solutions should always be used according to the Hussmann's directions. It is essential to establish and regulate cleaning procedures. This will minimize bacteria causing discoloration which leads to degraded product appearance and significantly shortening product shelf life.

Soap and hot water are not enough to kill this bacteria. A sanitizing solution must be included with each cleaning process to eliminate this bacteria.

Cases Without Sump Pumps

1. Scrub thoroughly, cleaning all surfaces, with soap and hot water.
2. Rinse with hot water, but do not flood.
3. Apply the sanitizing solution according to Hussmann's directions.
4. Rinse thoroughly.
5. Dry completely before resuming operation.

Cases With Sump Pumps



Do not rinse the interior of a case with sump pump drainage! Doing so will damage the pump, cause flooding and may result in serious personal injury

1. Scrub interior surface with a damp cleaning cloth rinsed in soapy water.
2. Use a sanitizing solution to scrub and clean all interior surfaces.
3. Wipe interior surfaces with a clean dry cloth.
4. Do not use a hose, high-pressure wash or running water.
5. Dry completely before resuming operation.

User Information (Cont'd)

Cleaning Glass and Mirrors

Only use a soft cloth and mild glass cleaner for cleaning any glass or mirrored components. Be sure to rinse and/or dry completely.

Never use hot water on cold glass surfaces! It may shatter and cause serious injury! Allow glass surfaces to warm first.

CAUTION

CLEANING PRECAUTIONS

When cleaning:

- Do not use high pressure water hoses
- Do not introduce water faster than waste outlet can drain
- NEVER INTRODUCE WATER ON SELF CONTAINED UNIT WITH AN EVAPORATOR FAN
- NEVER USE A CLEANING OR SANITIZING SOLUTION THAT HAS AN OIL BASE (these will dissolve the butyl sealants) or an AMMONIA BASE (this will corrode the copper components of the case)
- TO PRESERVE THE ATTRACTIVE FINISH:
- DO USE WATER AND A MILD DETERGENT FOR THE EXTERIOR ONLY
- DO NOT USE A CHLORINATED CLEANER ON ANY SURFACE
- DO NOT USE ABRASIVES OR STEEL WOOL SCOURING PADS (these will mar the finish)

Plexiglass and Acrylic Care

Cleaning

Clean with plenty of nonabrasive soap (or detergent) and luke warm water, using the bare hand to feel and dislodge any caked-on dirt. A soft, grit-free cloth, sponge or chamois may be used, but only as a means of carrying the water to the plastic. Dry with a clean damp chamois or clean soft cloth such as cotton flannel. Hard, rough cloths or paper towels will scratch the acrylic and should not be used.

Waxing

If after removing dirt and grease, the acrylic can be waxed with a good grade commercial wax. This will improve the appearance of the surface by filling in most minor scratches. Wax should be applied in a thin even coat and brought to a high polish by rubbing lightly with a dry clean soft cloth, such as a cotton flannel. Excessive rubbing may cause scratching and/or buildup an electrostatic charge which attracts dust and dirt to the surface. Blotting with a clean damp cloth is recommended to remove charge.

Antistatic Coatings

For acrylic used indoors, antistatic coatings successfully prevent the accumulation of an electrostatic charge for periods of several months - if the surface is not washed or wiped down with a wet cloth. Between applications of the antistatic coatings, the parts need only be dusted with a soft clean cloth to maintain a good appearance. In use, liquid antistatic coatings should be applied in a very thin even coat. If beads appear as it is applied, the coat is too thick and the excess should be removed with another cloth. Allow the coating to dry, then bring to a high gloss with a soft cloth.

Cleaning Front Glass Channel

To clean the front-glass channel:

1. With two hands carefully lift the glass out of the channel,
2. Remove any debris from the channel,
3. Replace the glass.

Frequency: Monthly or as-required.

12. Shelf Weight Limits

Depth of Shelf	Maximum Load Limit
10 in (254 mm)	250 lb (113.4 kg)
12 in (305 mm)	250 lb (113.4 kg)
14 in (356 mm)	250 lb (113.4 kg)
16 in (407 mm)	250 lb (113.4 kg)
18 in (457 mm)	250 lb (113.4 kg)

* Shelf load limits at 0° tilt

Hussmann® merchandiser shelves are designed to support the maximum weight load limits as indicated in the table above. Exceeding these maximum weight load limits may cause damage to the shelf or shelves, damage to the merchandiser, damage to store products, and potentially create a hazardous condition for customers and staff. Exceeding the indicated maximum weight load limits constitutes misuse as described in the Hussmann® Limited Warranty. Do not exceed 400lbs (evenly distributed) per pan on the end case.

13. Maintenance

Electrical Precautions



DANGER

**BEFORE SERVICING
ALWAYS DISCONNECT ELECTRICAL
POWER AT THE MAIN DISCONNECT
WHEN SERVICING OR REPLACING ANY
ELECTRICAL COMPONENT.**
This includes (but not limited to) Fans, Heaters
Thermostats, and Lights.

Evaporator Fans

The evaporator fans are located at the center front of these merchandisers directly beneath the display pans. Should fans or blades need servicing, always replace fan blades with the raised embossed side of the blade TOWARD THE MOTOR.

Tips and Troubleshooting

Before calling for service, check the following:

1. Check electrical power supply to the equipment for connection.
2. Check fixture loading. Overstocking case will affect its proper operation.
3. If frost is collecting on fixture and/or product, check that Humidity Control is working properly, and that no outside doors or windows are open - allowing moisture to enter store.



**IMPORTANT
INFORMATION**

FOR PROMPT SERVICE
When contacting the factory regarding problems,
be sure to have the **Case Model and Serial
Number** handy. This information is on a plate
located on the case itself.

Stainless Steel Cleaning and Care

There are three basic things, which can break down your stainless steel's passivity layer and allow corrosion.

1. Mechanical Abrasion

Mechanical Abrasion means those things that will scratch the steels surface. Steel Pads, wire Brushes, and Scrapers are prime examples.

2. Water

Water comes out of our tap in varying degrees of hardness. Depending on what part of the country you live in, you may have hard or soft water. Hard water may leave spots. Also, when heated, hard water leaves deposits behind that if left to sit, will break down the passive layer and rust your stainless steel. Other deposits from food preparation and service must be properly removed.

3. Chlorides

Chlorides are found nearly everywhere. They are in water, food and table salt. One of the worst perpetrators of chlorides can come from household and industrial cleaners.

Don't Despair! Here are a few steps that can help prevent stainless steel rust.

1. Use the Proper Tools

When cleaning your stainless steel products, take care to use non-abrasive tools. Soft Clothes and plastic scouring pads will NOT harm the steel's passive layer. Stainless steel pads can also be used but the scrubbing motion must be in the same direction of the manufacturer's polishing marks.

2. Clean With the Polish Lines

Some stainless steels come with visible polishing lines or "grain". When visible lines are present, you should ALWAYS scrub in a motion that is parallel to them. When the grain cannot be seen, play it safe and use a soft cloth or plastic scouring pad.

3. Use Alkaline, Alkaline Chlorinated or Non-chloride Containing Cleaners

While many traditional cleaners are loaded with chlorides, the industry is providing an ever increasing choice of non-chloride cleaners. If you

Maintenance (Cont'd)

are not sure of your cleaner's chloride content contact your cleaner supplier. If they tell you that your present cleaner contains chlorides, ask for an alternative. Also, avoid cleaners containing quaternary salts as they also can attack stainless steel & cause pitting and rusting.

4. Treat your Water

Though this is not always practical, softening hard water can do much to reduce deposits. There are certain filters that can be installed to remove distasteful and corrosive elements. Salts in a properly maintained water softener are your friends. If you are not sure of the proper water treatment, call a treatment specialist.

5. Keep your Food Equipment Clean

Use alkaline, alkaline chlorinated or non-chlorinated cleaners at recommended strength. Clean frequently to avoid build-up of hard, stubborn stains. If you boil water in your stainless steel equipment, remember the single most likely cause of damage is chlorides in the water. Heating cleaners that contain chlorides has a similar effect.

6. RINSE, RINSE, RINSE

If chlorinated cleaners are used you must rinse, rinse, rinse and wipe dry immediately. The sooner you wipe off standing water, especially when it contains cleaning agents, the better. After wiping the equipment down, allow it to air dry for the oxygen helps maintain the stainless steel's passivity film.

7. Never Use Hydrochloric Acid (Muriatic Acid) on Stainless Steel

8. Regularly Restore/Passivate Stainless Steel



This warning does not mean that Husmann products will cause cancer or reproductive harm, or is in violation of any product-safety standards or requirements. As clarified by the California State government, Proposition 65 can be considered more of a 'right to know' law than a pure product safety law. When used as designed, Husmann believes that our products are not harmful. We provide the Proposition 65 warning to stay in compliance with California State law. It is your responsibility to provide accurate Proposition 65 warning labels to your customers when necessary. For more information on Proposition 65, please visit the California State government website.

14. Troubleshooting Guide

Problem	Possible Cause	Possible Solution
Case temperature is too warm.	Ambient conditions may be affecting the case operation.	Check case position in store. Is the case located near an open door, window, electric fan or air conditioning vent that may cause air currents? Case must be located minimum 15 Ft away from doors or windows. Cases are designed to operate at 55% Relative humidity and a temperature of 75°F.
	Discharge air temp is out of spec.	Check evaporator fan operation. Check electrical connections and input voltage.
		Fans are installed backwards. Check airflow direction.
		Fan blades are installed incorrectly. Make sure fan blades have correct pitch and are per specification.
		Check to see that fan plenum is installed correctly. It should not have any gaps.
		Check suction pressure and insure that it meets factory specifications.
	Case is in defrost.	Check defrost settings. See Technical Specifications section.
	Product load may be over its limits blocking airflow.	Redistribute product so it does not exceed load level. There is a sticker on the inside of the case indicating what the maximum load line is.
	Coil is freezing over.	Return air is blocked, make sure debris is not blocking the intake section.
Coil close-offs are not installed. Inspect coil to make sure these parts are on the case.		
Condensing coil or evaporator coil is clogged or dirty.	Clean coil.	
Case temperature is too cold.	The t-stat temp is set too low.	Check settings. See Technical Specifications section.
	Ambient conditions may be affecting the case operation.	Check case position in store. Is the case located near an open door, window, electric fan or air conditioning vent that may cause air currents? Case must be located minimum 15 Ft away from doors or windows. Cases are designed to operate at 55% Relative humidity and a temperature of 75°F.
Condensation on glass.	Ambient conditions may be affecting the case operation.	Check case position in store. Is the case located near an open door, window, electric fan or air conditioning vent that may cause air currents? Case must be located minimum 15 Ft away from doors or windows. Cases are designed to operate at 55% Relative humidity and a temperature of 75°F.
	Inadequate air circulation.	Check if air sweep fans are functioning, check electrical connections.
	There is not enough heat provided in the airflow.	Check if air sweep heater is functioning, check electrical connections.
	There are glass gaps on the side of the case.	See glass adjustment section.
	Glass is not completely shut.	Close glass correctly.

Troubleshooting (Cont'd)

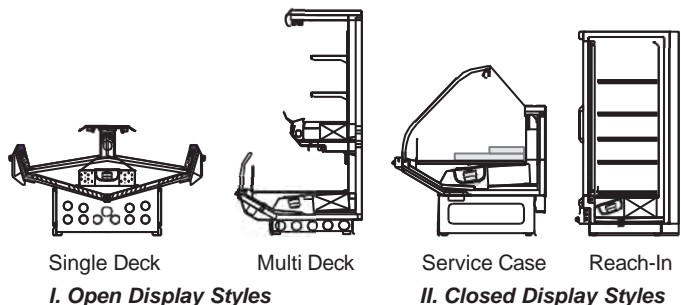
Problem	Possible Cause	Possible Solution
Water has pooled under case.	Case drain is clogged.	Clear drain.
	PVC drains under case may have a leak.	Repair as needed.
	Case tub has unsealed opening.	Seal as needed.
	If the case is in a line-up, case to case joint is missing or unsealed.	Install case to case joint and seal as needed.
	Evaporator pan is overflowing (if applicable).	Check electrical connection to evaporator pan. Check float assembly, it should move freely up and down the support stem. Clear any debris.
Case is not draining properly.	Case is not level.	Level the case.
	Drain screen is plugged.	Clean drain screen and remove any debris.
	Drain or P-trap is clogged.	Clear any debris.
Frost or ice on evaporator coil.	Evaporator fans are not functioning.	Check electrical connections.
	Defrost clock is not functioning.	Case should be serviced by a qualified service technician.
	Coil is freezing over.	Return air is blocked, make sure debris is not blocking the intake section.
Coil close-offs are not installed. Inspect coil to make sure these parts are on the case.		
Large gap is visible on bottom of front glass or glass can't be opened because it is too low.	Glass Height adjusters need to be adjusted.	See Glass Adjustment section.
Large gaps are visible in between glass panels or glass rubs against end panel.	Glass/glass clamp assembly needs to be adjusted.	See Glass Adjustment section.
Front glass does not stay open and falls closed.	Glass shock/piston may need to be replaced.	Case should be serviced by a qualified service technician.
Lights do not come on.	LED Driver/light socket wiring.	Check electrical connections. See Electrical Section and check wiring diagram.
	LED Driver needs to be replaced.	Case should be serviced by a qualified service technician. See Electrical Section.
	Lamp socket needs to be replaced.	Case should be serviced by a qualified service technician.
	Lamp needs to be replaced.	See Maintenance Section.
	Light Switch needs to be replaced.	Case should be serviced by a qualified service technician.

15. Appendices

Appendix A. - Temperature Guidelines

The refrigerators should be operated according to the manufacturer's published engineering specifications for entering air temperatures for specific equipment applications. Table 1 shows the typical temperature of the air entering the food zone one hour before the start of defrost and one hour after defrost for various categories of refrigerators. Refer to Appendix C for Field Evaluation Guidelines.

Type of Refrigerator	Typical Entering Air Temperature
I. OPEN DISPLAY	
A. Non frozen:	
1) Meat	28°F
2) Dairy/Deli	32°F
3) Produce	
a. Processed	36°F
b. Unprocessed	45°F
B. Frozen	0°F
C. Ice Cream	-5°F
II. CLOSED DISPLAY	
A. Non frozen:	
1) Meat	34°F
2) Dairy/Deli	34°F
3) Produce	
a. Processed	36°F
b. Unprocessed	45°F
B. Frozen	0°F
C. Ice Cream	-5°F



Appendix B. - Application Recommendations

1. Temperature performance is critical for controlling bacteria growth. Therefore, the following recommendations are included in the standard. They are based on confirmed field experience over many years.
2. The installer is responsible for following the installation instructions and recommendations provided by Hussmann for the installation of each individual type refrigerator.
3. Refrigeration piping should be sized according to

- the equipment manufacturer's recommendations and installed in accordance with normal refrigeration practices. Refrigeration piping should be insulated according to Hussmann's recommendations.
3. A clogged waste outlet blocks refrigeration. The installer is responsible for the proper installation of the system which dispenses condensate waste through an air gap into the building indirect waste system.
 4. The installer should perform a complete start-up evaluation prior to the loading of food into the refrigerator, which includes such items as:
 - a) Initial temperature performance, Coils should be properly fed with a refrigerant according to manufacturer's recommendations.
 - b) Observation of outside influences such as drafts, radiant heating from the ceiling and from lamps. Such influence should be properly corrected or compensated for.
 - c) At the same time, checks should be made of the store dry-bulb and wet-bulb temperatures to ascertain that they are within the limits prescribed by Hussmann.
 - d) Complete start-up procedures should include checking through a defrost to make certain of its adequate frequency and length without substantially exceeding the actual needs. This should include checking the electrical or refrigerant circuits to make sure that defrosts are correctly programmed for all the refrigerators connected to each refrigeration system.
 - e) Recording instruments should be used to check performance.

Appendix C. - Field Recommendations

Recommendations for field evaluating the performance of retail food refrigerators and hot cases

- 1.0 The most consistent indicator of display refrigerator performance is temperature of the air entering the product zone (see Appendix A). In practical use, the precise determination of return air temperature is extremely difficult. Readings of return air temperatures will be variable and results will be inconsistent. The product temperature alone is not an indicator of refrigerator performance.

Appendices (Cont'd)

NOTE: Public Health will use the temperature of the product in determining if the refrigerator will be allowed to display potentially hazardous food. For the purpose of this evaluation, product temperature above the FDA Food Code 1993 temperature for potentially hazardous food will be the first indication that an evaluation should be performed. It is expected that all refrigerators will keep food at the FDA Food Code 1993 temperature for potentially hazardous food.

1. The following recommendations are made for the purpose of arriving at easily taken and understood data which, coupled with other observations, may be used to determine whether a display refrigerator is working as intended:
 - a) **INSTRUMENT** - A stainless steel stem-type thermometer is recommended and it should have a dial a minimum of 1 inch internal diameter. A test thermometer scaled only in Celsius or dually scaled in Celsius and Fahrenheit shall be accurate to 1°C (1.8°F). Temperature measuring devices that are scaled only in Fahrenheit shall be accurate to 2°F. The thermometer should be checked for proper calibration. (It should read 32°F when the stem is immersed in an ice water bath).
 - b) **LOCATION** - The probe or sensing element of the thermometer should be located in the airstream where the air first enters the display or storage area, and not more than 1 inch away from the surface and in the center of the discharge opening.
 - c) **READING** - It should first be determined that the refrigerator is refrigerating and has operated at least one hour since the end of the last defrost period. The thermometer reading should be made only after it has been allowed to stabilize, i.e., maintain a constant reading.
 - d) **OTHER OBSERVATIONS** - Other observations should be made which may indicate operating problems, such as unsatisfactory product, feel/appearance.
 - e) **CONCLUSIONS** - In the absence of any apparent undesirable conditions, the refrigerator should be judged to be operating properly. If it is determined that such condition is undesirable, i.e., the product is above proper temperature, checks should be made for the following:
 1. Has the refrigerator been loaded with warm product?
 2. Is the product loaded beyond the "Safe Load Line" markers?

3. Are the return air ducts blocked?
4. Are the entering air ducts blocked?
5. Is a dumped display causing turbulent air flow and mixing with room air?
6. Are spotlights or other high intensity lighting directed onto the product?
7. Are there unusual draft conditions (from heating/air-conditioning ducts, open doors, etc.)?
8. Is there exposure to direct sunlight?
9. Are display signs blocking or diverting airflow?
10. Are the coils of the refrigerator iced up?
11. Is the store ambient over 75°F, 55% RH as set forth in ASHRAE Standard 72 and ASHRAE Standard 117?
12. Are the shelf positions, number, and size other than recommended by Hussmann?
13. Is there an improper application or control system?
14. Is the evaporator fan motor/blade inoperative?
15. Is the defrost time excessive?
16. Is the defrost termination, thermostat (if used) set too high?
17. Are the refrigerant controls incorrectly adjusted?
18. Is the air entering the condenser above design conditions? Are the condenser fins clear of dirt, dust, etc.?
19. Is there a shortage of refrigerant?
20. Has the equipment been modified to use replacements for CFC-12, CFC-502 or other refrigerant? If so, have the modifications been made in accordance with the recommendations of the equipment manufacturer? Is the refrigerator charged with the proper refrigerant and lubricant? Does the system use the recommended compressor?

Appendix D. - Recommendations to User

1. Hussmann Corporation provides instructions and recommendations for proper periodic cleaning. The user will be responsible for such cleaning, including the cleaning of low temperature equipment within the compartment and the cooling coil area(s). Cleaning practices, particularly with respect to proper refrigerator unloading and warm-up, must be in accordance with applicable recommendations.
1. Cleaning of non frozen food equipment should include a weekly cleaning of the food compartment as a minimum to prevent bacteria growth from accumulating. Actual use and products may dictate more frequent cleaning. Circumstances of use and equipment design must also dictate the frequency

Appendices (Cont'd)

- of cleaning the display areas. Weekly washing down of the storage compartment is also recommended, especially for equipment subject to drippage of milk or other liquids, or the collection of vegetable, meat, crumbs, etc. or other debris or litter. Daily cleaning of the external areas surrounding the storage or display compartments with detergent and water will keep the equipment presentable and prevent grime buildup.
2. Load levels as defined by the manufacturer must be observed.
 3. The best preservation is achieved by following these rules:
 - a) Buy quality products.
 - b) Receive perishables from transit equipment at the ideal temperature for the particular product.
 - c) Expedite perishables to the store's storage equipment to avoid unnecessary warm-up and prolonged temperature recovery. Food store refrigerators are not food chillers nor can they reclaim quality lost through previous mishandling.
 - d) Care must be taken when cross merchandising products to ensure that potentially hazardous vegetable products are not placed in non refrigerated areas.
 - e) Display and storage equipment doors should be kept closed during periods of inactivity.
 - f) Minimize the transfer time of perishables from storage to display.
 - g) Keep meat under refrigeration in meat cutting and processing area except for the few moments it is being handled in processing. When a cut or tray of meat is not to be worked on immediately, the procedure should call for returning it to refrigeration.
 - h) Keep tools clean and sanitized. Since mechanical equipment is used for fresh meat processing, all such equipment should be cleaned at least daily and each time a different kind of meat product comes in contact with the tool or equipment.
 - i) Make sure that all refrigeration equipment is installed and adjusted in strict accordance with the manufacturer's recommendations.
 - j) See that all storage and refrigeration equipment is kept in proper working order by routine maintenance.

Service Record

Last service date: By:

_____	_____
_____	_____
_____	_____
_____	_____
_____	_____
_____	_____
_____	_____
_____	_____

HUSSmann®/Chino

Additional copies of this publication may be obtained by contacting:

Hussmann® Chino
13770 Ramona Avenue • Chino, California 91710
(909) 628-8942 FAX
(909) 590-4910
(800) 395-9229

www.hussmann.com

The *MODEL NAME* and *SERIAL NUMBER* is required in order to provide you with the correct parts and information for your particular unit.

They can be found on a small metal plate on the unit. Please note them below for future reference.

MODEL:

SERIAL NUMBER: