

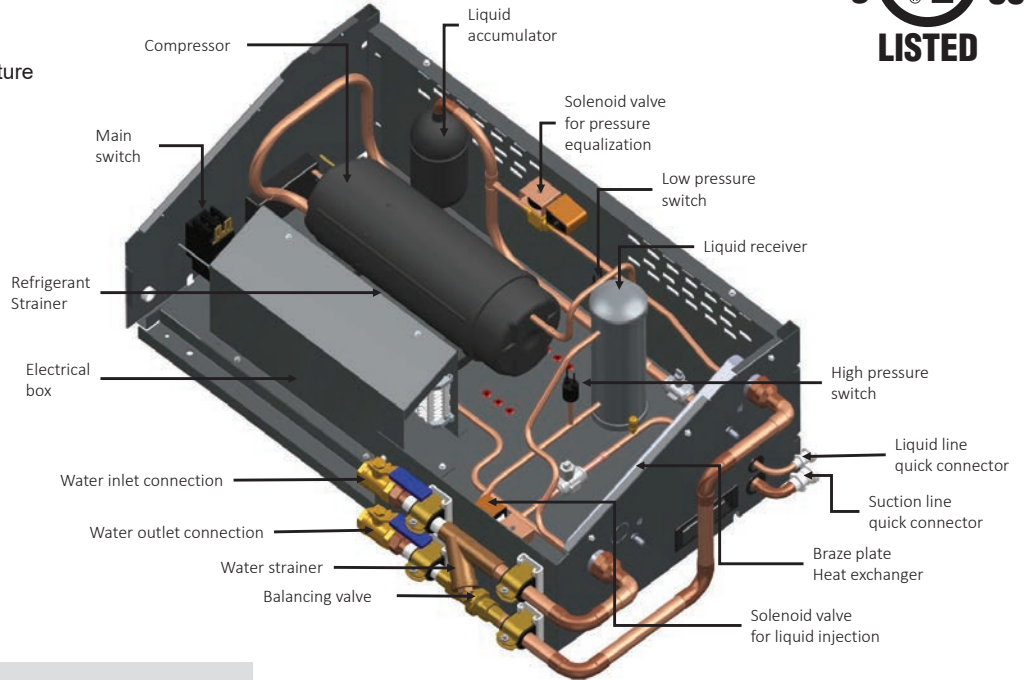


**HMDS LMT — 145**

**Family:**  
 H — Hussmann  
 M — Macro  
 D — Distribution  
 S — System

**Capacity:**  
 145 — 1450W [ARIMBP]  
 176 — 1760W [ARIMBP]  
 221 — 2210W [ARIMBP]  
 350 — 3500W [ARIMBP]  
 403 — 4030W [ARIMBP]

**Application:**  
 LT — Low Temperature  
 MT — Medium Temperature  
 LMT — Low / Medium Temperature



### Product Information

Temperature Applications: Low/Medium  
 Refrigerant: R-448a / R-449a  
 Installation Application: Freedom Line - Interior  
 Scroll Compressor

### Dimensions and Weight (without packaging)

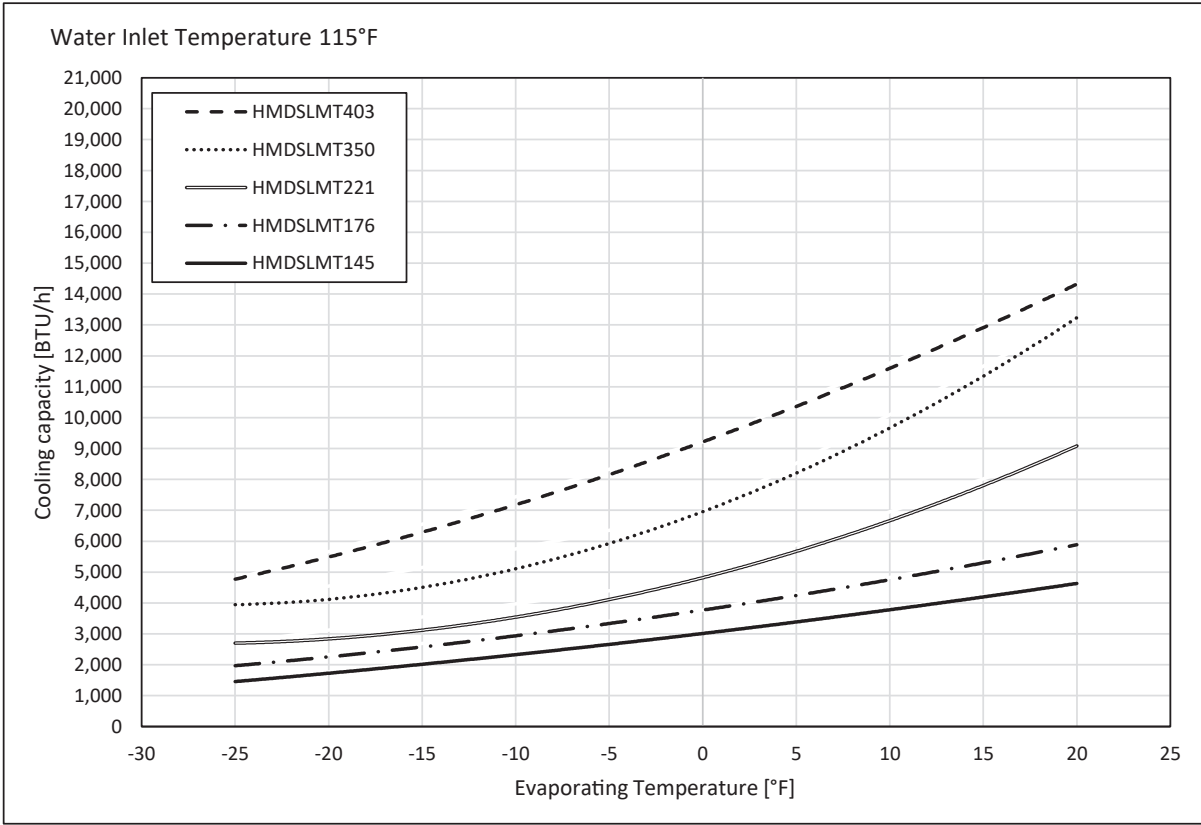
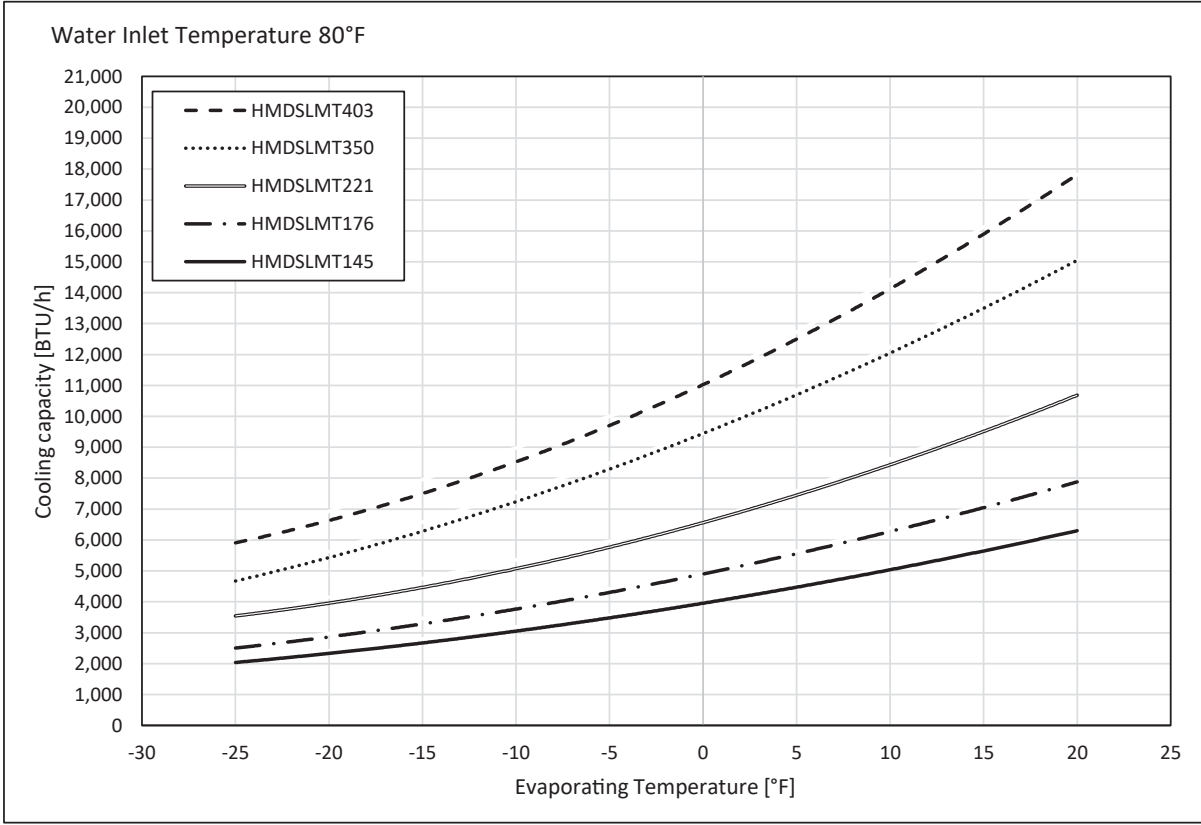
Model	H x D x W (in)	Weight (lbs)
HMDSLMT145	11.89 x 22.07 x 37.32	114
HMDSLMT176	11.89 x 22.07 x 37.32	114
HMDSLMT221	11.89 x 22.07 x 37.32	114
HMDSLMT350	11.89 x 22.07 x 37.32	135
HMDSLMT403	11.89 x 22.07 x 37.32	135

### Electrical Data

Model	Compressor			
	Power Supply	RLA	LRA	MCA
HMDSLMT145	208-230V-1-60	4.7	29	5.9
HMDSLMT176	208-230V-1-60	5.7	34	7.1
HMDSLMT221	208-230V-1-60	7.4	40	9.3
HMDSLMT350	208-230V-1-60	9.5	60	11.9
HMDSLMT403	208-230V-1-60	10.2	68	12.8

### Data sheet-Insight HMDSLMT

We reserve the right to change or revise specifications and product design in connection with any feature of our products. Such changes do not entitle the buyer to corresponding changes, improvements, additions or replacements for equipment previously sold or shipped.



**Medium Temperature  
Open Multi-Deck Cases**

**Insight HMDSLMT  
Water-Cooled Condensing Unit**

Medium Temperature Insight Cases - up to 80°F inlet water - Meat and Dairy Application							
Case	Condensing unit	GPM	Refrigerant Charge	Heat of Rejection	Total pressure drop	Single Point wiring (208V 1 ph 60 Hz), <sup>3</sup>	
			[lbs] <sup>1</sup>	(BTU/hr)	(psig) <sup>2</sup>	MCA	MOPD
IDF5SM4	HMDSLMT 145	4	3.6	6645	4	6.9	20
IDF5SM6	HMDSLMT 176	4	3.8	9826	4	8.7	20
IDF5SM8	HMDSLMT 221	6	4	13163	8	11.2	20
IDF5SM12	HMDSLMT 350	8	5.1	19214	11	14.8	20
IDF5NM4	HMDSLMT 145	4	3.6	6861	4	6.9	20
IDF5NM6	HMDSLMT 176	4	3.8	10145	4	8.7	20
IDF5NM8	HMDSLMT 221	6	4	13591	8	11.2	20
IDF5NM12	HMDSLMT 403	8	5.1	19433	11	15.7	25
IDF5NL4	HMDSLMT 145	4	3.6	6888	4	6.9	20
IDF5NL6	HMDSLMT 221	4	3.8	10185	4	10.8	20
IDF5NL8	HMDSLMT 350	6	4	13644	8	13.8	20
IDF5NL12	HMDSLMT 403	8	5.1	19509	11	15.7	25
IDF5NV4	HMDSLMT 145	4	3.6	8671	4	7.0	20
IDF5NV6	HMDSLMT 221	4	3.8	12882	4	11.1	20
IDF5NV8	HMDSLMT 350	6	4	16715	8	14.1	20
IDF5NV12	HMDSLMT 403	8	5.1	24558	11	16.2	25
IPF4SL4	HMDSLMT 145	4	3.6	7968	4	6.9	20
IPF4SL6	HMDSLMT 221	4	3.8	11838	4	10.8	20
IPF4SL8	HMDSLMT 350	6	4	15361	8	14.0	20
IPF4SL12	HMDSLMT 403	8	5.1	22569	11	15.9	25
ICF6SM4	HMDSLMT 145	4	3.6	8292	4	7.0	20
ICF6SM6	HMDSLMT 221	4	3.8	12320	4	11.1	20
ICF6SM8	HMDSLMT 350	6	4	16357	8	14.2	20
ICF6SM12	HMDSLMT 403	8	5.5	23487	11	16.2	25
IDF6NU4	HMDSLMT 176	4	3.6	12108	4	8.3	20
IDF6NU6	HMDSLMT 350	6	3.8	14985	4	13.9	20
IDF6NU8	HMDSLMT 403	8	4	19127	8	15.2	20
IDF6NU12	HMDSLMT 403	8	5.5	28690	11	16.4	25
IDF6SU4	HMDSLMT 221	4	3.6	10273	4	10.5	20
IDF6SU6	HMDSLMT 350	6	3.8	14996	8	13.9	20
IDF6SU8	HMDSLMT 403	8	4	19586	11	15.2	25
IDF6SU12	HMDSLMT 403	8	5.5	29378	11	16.5	25
IDF5SL4	HMDSLMT145	4	3.6	6861	4	6.9	20
IDF5SL6	HMDSLMT176	4	3.8	10145	4	8.8	20
IDF5SL8	HMDSLMT221	4	4	13591	4	11.3	20
IDF5SL12	HMDSLMT350	6	5.1	19839	8	15.0	20

<sup>1</sup> Working charge, including case and condensing unit charge. Both case and condensing unit are pre-charged before shipping.

<sup>2</sup> Pressure drop includes valve station, balancing valve, strainer, and hoses.

<sup>3</sup> Includes standard components. Refer to page 7 for additional amps for optional components.

Water cooled condensing units require a 3/4" male NPT connection.

**Medium Temperature Insight Cases - up to 115°F inlet water - Meat and Dairy Application**

Case	Condensing unit	GPM	Refrigerant Charge	Heat of Rejection	Total pressure drop	Single Point wiring (208V 1 ph 60 Hz), <sup>3</sup>	
			[lbs] <sup>1</sup>	(BTU/hr)	(psig) <sup>2</sup>	MCA	MOPD
IDF5SM4	HMDSLMT 176	4	3.6	9072	4	8.1	20
IDF5SM6	HMDSLMT 221	4	3.8	12744	4	10.9	20
IDF5SM8	HMDSLMT 350	6	4	16551	8	13.8	20
IDF5SM12 **	HMDSLMT 403	8	5.1	22464	11	15.7	25
IDF5NM4	HMDSLMT 176	4	3.6	9232	4	8.1	20
IDF5NM6	HMDSLMT 221	4	3.8	12984	4	10.8	20
IDF5NM8	HMDSLMT 350	6	4	16871	8	13.8	20
IDF5NM12 **	HMDSLMT 403	8	5.1	22944	11	15.7	25
IDF5NL4	HMDSLMT 176	4	3.6	9252	4	8.1	20
IDF5NL6	HMDSLMT 221	4	3.8	13014	4	10.8	20
IDF5NL8	HMDSLMT 350	6	4	16911	8	13.8	20
IDF5NL12 **	HMDSLMT 403	8	5.1	23004	11	15.7	25
IDF5NV4	HMDSLMT 221	4	3.6	11784	4	10.4	20
IDF5NV6	HMDSLMT 350	4	3.8	16341	4	13.8	20
IDF5NV8	HMDSLMT 403	6	4	20544	8	15.0	25
IDF5NV12 **	HMDSLMT 403	8	5.1	26964	11	16.2	25
IPF4SL4	HMDSLMT 176	4	3.6	10052	4	8.2	20
IPF4SL6	HMDSLMT 350	4	3.8	14214	4	10.8	20
IPF4SL8	HMDSLMT 350	6	4	18511	8	14.0	20
IPF4SL12	HMDSLMT 403	8	5.1	25404	11	15.9	25
ICF6SM4	HMDSLMT 176	4	3.6	10292	4	8.3	20
ICF6SM6	HMDSLMT 350	4	3.8	15921	4	13.8	20
ICF6SM8	HMDSLMT 403	6	4	19984	8	15.1	25
ICF6SM12	HMDSLMT 403	8	5.5	26124	11	16.2	25
IDF6NU4	HMDSLMT 221	4	3.6	15204	4	10.5	20
IDF6NU6	HMDSLMT 350	6	3.8	18231	8	13.9	20
IDF6NU8	HMDSLMT 403	8	4	22704	11	15.2	25
IDF6NU12	N/A						
IDF6SU4	HMDSLMT 221	4	3.6	13044	4	10.5	20
IDF6SU6	HMDSLMT 350	6	3.8	18231	8	13.9	20
IDF6SU8	HMDSLMT 403	8	4	23064	11	15.2	25
IDF6SU12	N/A						
IDF5SL4	HMDSLMT176	4	3.6	9232	4	8.2	20
IDF5SL6	HMDSLMT221	4	3.8	12984	4	10.9	20
IDF5SL8	HMDSLMT350	6	4	16871	8	14.0	20
IDF5SL12**	HMDSLMT403	8	5.1	22944	11	15.9	25

<sup>1</sup> Working charge, including case and condensing unit charge. Both case and condensing unit are pre-charged before shipping.

<sup>2</sup> Pressure drop includes valve station, balancing valve, strainer, and hoses.

<sup>3</sup> Includes standard components. Refer to page 7 for additional amps for optional components.

\*\* Dairy application, Type 1 ambient only.

Water cooled condensing units require a 3/4" male NPT connection.

**Medium Temperature  
Open Multi-Deck Cases**

**Insight HMDSLMT  
Water-Cooled Condensing Unit**

**Medium Temperature Insight Cases - up to 80°F inlet water - NSF Type II Application**

Case	Condensing unit	GPM	Refrigerant Charge	Heat of Rejection	Total pressure drop	Single Point wiring (208V 1 ph 60 Hz), <sup>3</sup>	
			[lbs] <sup>1</sup>	(BTU/hr)	(psig) <sup>2</sup>	MCA	MOPD
IDF5SM4	HMDSLMT 145	4	3.6	7671	4	6.9	20
IDF5SM6	HMDSLMT 221	4	3.8	11397	4	10.9	20
IDF5SM8	HMDSLMT 350	6	4	14788	8	13.8	20
IDF5SM12	HMDSLMT 403	8	5.1	21728	11	15.7	25
IDF5NM4	HMDSLMT 145	4	3.6	8103	4	6.9	20
IDF5NM6	HMDSLMT 221	4	3.8	12039	4	10.8	20
IDF5NM8	HMDSLMT 350	6	4	15621	8	13.8	20
IDF5NM12	HMDSLMT 403	8	5.1	22952	11	15.7	25
IDF5NL4	HMDSLMT 145	4	3.6	8157	4	6.9	20
IDF5NL6	HMDSLMT 221	4	3.8	12119	4	10.8	20
IDF5NL8	HMDSLMT 350	6	4	15725	8	13.8	20
IDF5NL12	HMDSLMT 403	8	5.1	23105	11	15.7	25
IDF5NV4	HMDSLMT 176	4	3.6	10279	4	8.3	20
IDF5NV6	HMDSLMT 221	4	3.8	15490	4	11.1	20
IDF5NV8	HMDSLMT 350	6	4	20099	8	14.1	20
IDF5NV12	HMDSLMT 403	8	5.1	29531	11	16.2	25
IPF4SL4	HMDSLMT 145	4	3.6	8211	4	6.9	20
IPF4SL6	HMDSLMT 221	4	3.8	12199	4	10.8	20
IPF4SL8	HMDSLMT 350	6	4	15830	8	14.0	20
IPF4SL12	HMDSLMT 403	8	5.1	23258	11	15.9	25
ICF6SM4	HMDSLMT 176	4	3.6	9879	4	8.3	20
ICF6SM6	HMDSLMT 221	4	3.8	14888	4	11.1	20
ICF6SM8	HMDSLMT 350	6	4	19318	8	14.2	20
ICF6SM12	HMDSLMT 403	8	5.5	28384	11	16.2	25
IDF6NU4	HMDSLMT 221	4	3.6	10862	4	10.5	20
IDF6NU6	HMDSLMT 350	6	3.8	15856	8	13.9	20
IDF6NU8	HMDSLMT 403	8	4	20708	11	15.2	25
IDF6NU12	HMDSLMT 403	8	5.5	31061	11	16.4	25
IDF6SU4	HMDSLMT 221	4	3.6	12360	4	10.5	20
IDF6SU6	HMDSLMT 350	6	3.8	18043	8	13.9	20
IDF6SU8	HMDSLMT 403	8	4	23564	11	15.2	25
IDF6SU12	HMDSLMT 403	8	5.5	35346	11	16.5	25
IDF5SL4	HMDSLMT145	4	3.6	7995	4	6.9	20
IDF5SL6	HMDSLMT221	4	3.8	11878	4	10.9	20
IDF5SL8	HMDSLMT350	6	4	15413	8	14.0	20
IDF5SL12	HMDSLMT403	8	5.1	22646	11	15.9	25

<sup>1</sup> Working charge, including case and condensing unit charge. Both case and condensing unit are pre-charged before shipping.

<sup>2</sup> Pressure drop includes valve station, balancing valve, strainer, and hoses.

<sup>3</sup> Includes standard components. Refer to page 7 for additional amps for optional components.

Water cooled condensing units require a 3/4" male NPT connection.

**Medium Temperature Insight Cases - up to 115°F inlet water - NSF Type II Application**

Case	Condensing unit	GPM	Refrigerant Charge	Heat of Rejection	Total pressure drop	Single Point wiring (208V 1 ph 60 Hz), <sup>3</sup>	
			[lb, oz] <sup>1</sup>	(BTU/hr)	(psig) <sup>2</sup>	MCA	MOPD
IDF5SM4	HMDSLMT 176	4	3.6	9832	4	8.1	20
IDF5SM6	HMDSLMT 221	4	3.8	13884	4	10.9	20
IDF5SM8	HMDSLMT 350	6	4	18071	8	13.8	20
IDF5SM12	N/A						
IDF5NM4	HMDSLMT 176	4	3.6	10152	4	8.1	20
IDF5NM6	HMDSLMT 221	4	3.8	14364	4	10.8	20
IDF5NM8	HMDSLMT 350	6	4	18711	8	13.8	20
IDF5NM12	N/A						
IDF5NL4	HMDSLMT 176	4	3.6	10192	4	8.1	20
IDF5NL6	HMDSLMT 221	4	3.8	14424	4	10.8	20
IDF5NL8	HMDSLMT 350	6	4	18791	8	13.8	20
IDF5NL12	N/A						
IDF5NV4	HMDSLMT 221	4	3.6	13084	4	10.4	20
IDF5NV6	HMDSLMT 350	4	3.8	18291	4	13.8	20
IDF5NV8	HMDSLMT 403	6	4	23144	8	15.0	25
IDF5NV12	N/A						
IPF4SL4	HMDSLMT 176	4	3.6	10232	4	8.2	20
IPF4SL6	HMDSLMT 350	4	3.8	15831	4	13.4	20
IPF4SL8	HMDSLMT 350	6	4	18871	8	14.0	20
IPF4SL12	HMDSLMT 403	8	5.1	25944	11	15.9	25
ICF6SM4	HMDSLMT 221	4	3.6	12784	4	10.4	20
ICF6SM6	HMDSLMT 350	4	3.8	17841	4	13.8	20
ICF6SM8	HMDSLMT 403	6	4	22544	8	15.1	25
ICF6SM12	N/A						
IDF6NU4	HMDSLMT 350	4	3.6	14831	4	13.1	20
IDF6NU6	HMDSLMT 403	6	3.8	19884	8	14.8	25
IDF6NU8	HMDSLMT 403	8	4	23944	11	15.2	25
IDF6NU12	N/A						
IDF6SU4	HMDSLMT 350	4	3.6	14604	4	13.1	20
IDF6SU6	HMDSLMT 403	6	3.8	20571	8	14.8	25
IDF6SU8	HMDSLMT 403	8	4	26184	11	15.2	25
IDF6SU12	N/A						
IDF5SL4	HMDSLMT176	4	3.6	10072	4	8.2	20
IDF5SL6	HMDSLMT221	4	3.8	14244	4	10.9	20
IDF5SL8	HMDSLMT350	6	4	18551	8	14.0	20
IDF5SL12	N/A						

<sup>1</sup> Working charge, including case and condensing unit charge. Both case and condensing unit are pre-charged before shipping.

<sup>2</sup> Pressure drop includes valve station, balancing valve, strainer, and hoses.

<sup>3</sup> Includes standard components. Refer to page 7 for additional amps for optional components.

\*\* Dairy application, Type 1 ambient only.

Water cooled condensing units require a 3/4" male NPT connection.

**Medium Temperature  
Open Multi-Deck Cases**

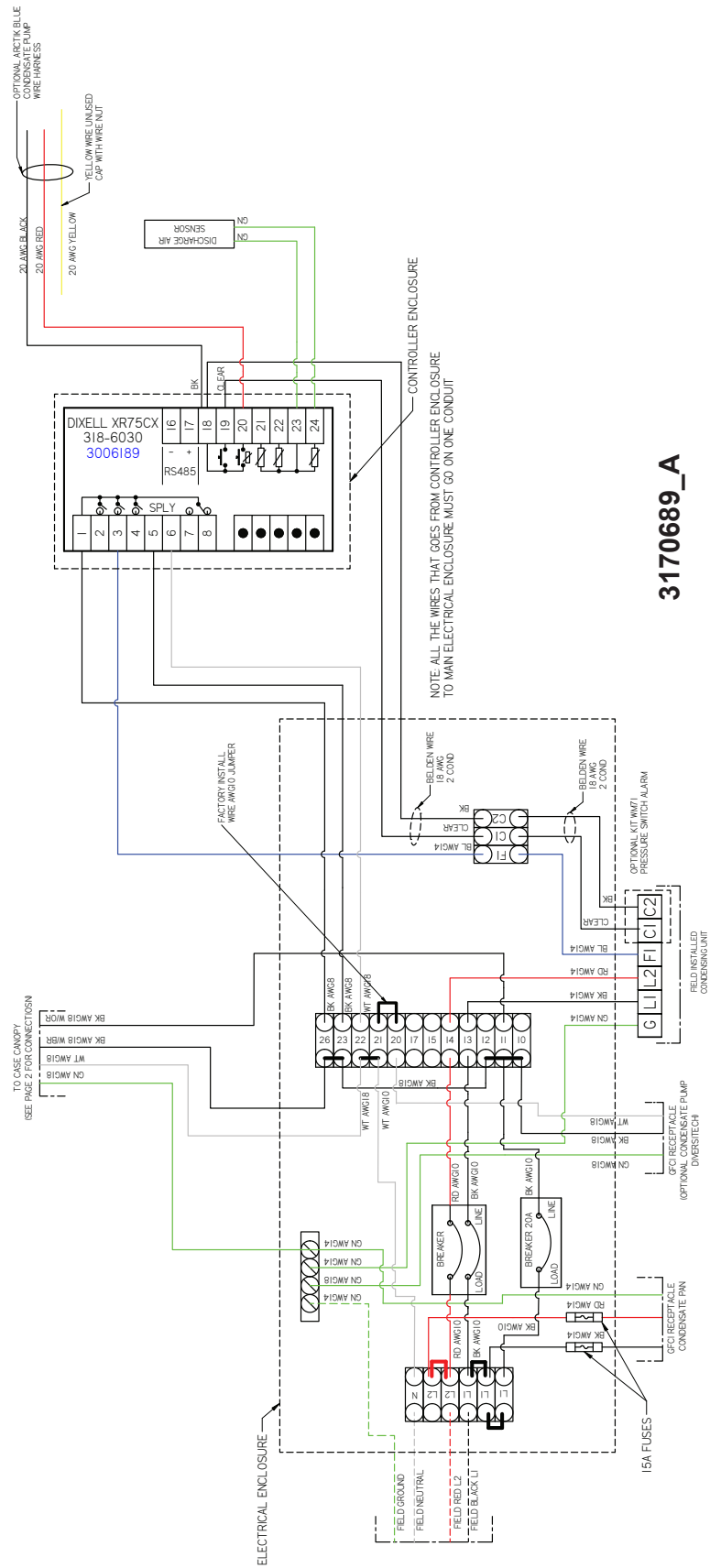
*Insight* **HMDSLMT**  
Water-Cooled Condensing Unit

MCA and MOPD shown on pages 3-6 are for standard components.				
Standard components include:				
Lights, fans, condensing unit				
Amperage add/deduct for optional components				
	<b>IDF5SL, IDF5SM, IDF5NM, IDF5NV, IDF5NL, IPF4SL, ICF6SM (208V)</b>			
	4'	6'	8'	12'
Heated condensate pan	4.8	4.8	7.2	9.6
	<b>IDF6NU</b>			
	4'	6'	8'	12'
Heated condensate pan	4.8	7.2	7.2	9.6
	<b>IDF6SU</b>			
	4'	6'	8'	12'
Heated condensate pan	4.8	7.2	9.6	9.6
	<b>All Models</b>			
Condensate Pump	1.9 amps			



# Wiring Diagram

# Insight HMDSLMT Water-Cooled Condensing Unit



**3170689\_A**

- UL COLOR CODES / ABBREVIATIONS**
- RED = RD
  - BLACK = BK
  - BLUE = BL
  - YELLOW = YL
  - GRAY = GY
  - WHITE = WT
  - GREEN = GN
  - BROWN = BN
  - ORANGE = OR
  - VIOLET = VT
- FACTORY 14GA WIRE**
- FACTORY 10GA WIRE**
- FIELD WIRE**

- NOTES:**
1. PRINTED DOCUMENT REQUIRED SETTING: ALL COLORS BLACK & WHITE
  2. MATERIAL-WHITE PAPER/OND LETTER SIZE

**Insight HMDSLMT**  
Water-Cooled Condensing Unit



Scan the QR code with your mobile device to access additional product information or order parts.

Parts may also be ordered at:

**parts.hussmann.com**

**Call toll free: 1.855.487.7778**

---

## Revision History

Revision A: July 2019: Original Issue.

Revision B: July 2019: Updated refrigerant on page 1.

Revision C: August 2019: Updated format and Water Inlet Temperatures table on pages 3 and 4.

Revision D: March 2020: Updated cover image and Dimensions and Weights table on page 1.

Revision E: January 2022: Added additional models and updated MCA and MOPD.

Revision F: April 2022: Updated the condensing unit capacity.

Revision G: October 2022: Updated power supply on page 1, added performance data for IDF5SL, and wiring diagram..