

Insight®

IC5BU-W

Medium Temperature
with R-290 (Propane)
Refrigerant

WARNINGS:

If the information in these instructions are not followed exactly, a fire or explosion may result, causing property damage, personal injury or death.

Installation and service must be performed by a qualified installer or service agency.

READ THE ENTIRE MANUAL BEFORE INSTALLING OR USING THIS EQUIPMENT.

The unit uses R-290 (propane) gas as the refrigerant. R-290 (propane) is flammable and heavier than air. It collects first in low areas but can be circulated by the fans. If propane gas is present or even suspected, do not allow untrained personnel to attempt to find the cause. The propane gas used in the unit has no odor. The lack of smell does not indicate a lack of escaped gas. If a leak is detected, immediately evacuate all persons from the store, and contact the local fire department to advise them that a propane leak has occurred. Do not let any persons back into the store until the qualified service technician has arrived and that technician advises that it is safe to return to the store. No open flames, cigarettes or other possible sources of ignition should be used inside or in the vicinity of the units.

**FAILURE TO ABIDE BY THIS WARNING COULD
RESULT IN AN EXPLOSION, DEATH, INJURY AND
PROPERTY DAMAGE.**



IMPORTANT

Keep in store for future reference!

Installation & Operation Manual

Shipped With Case Data Sheets

P/N 3049043_F

November 2023

Spanish P/N 3049044

⚠ WARNING

This equipment uses a flammable refrigerant. Installation, service and repair should be done only by qualified and trained technicians in accordance with this manual.

If a leak is detected, follow store safety procedures. It is the store's responsibility to have a written safety procedure in place. The safety procedure must comply with all applicable codes such as local fire department's codes.

At minimum, the following actions are required:

- Immediately evacuate all persons from the store, and contact the local fire department to advise them that a propane leak has occurred.
- Call Hussmann and/or a qualified service agent and inform them that a propane sensor has detected the presence of propane.
- Do not let any persons back into the store until the qualified service technician has arrived and that technician advises that it is safe to return to the store.
- The propane gas used in the unit has no odor. The lack of smell does not indicate a lack of escaped gas.
- A hand-held propane leak detector ("sniffer") should be used before any repair and/or maintenance is attempted. All repair parts must be identical models to the ones they are replacing.
- No open flames, cigarettes or other possible sources of ignition should be used inside the building where the units are located until the qualified service technician and/or local fire department determines that all propane has been cleared from the area and from the refrigeration systems.

⚠ WARNING

- » Do not use mechanical devices or other means to accelerate the defrosting process.
- » Do not use electrical appliances inside the food storage compartments of the case(s).

⚠ WARNING

- » Do not remove shipping crate until the merchandiser is positioned for installation.

⚠ WARNING

- » Case ventilation openings must be clear of any obstructions. Do not damage the refrigerant circuit.



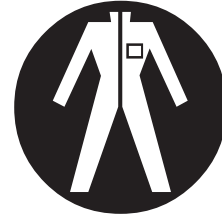
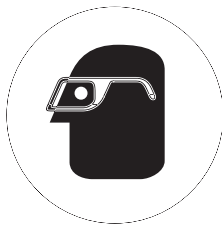
BEFORE YOU BEGIN

Read these instructions completely and carefully.



PERSONAL PROTECTION EQUIPMENT (PPE)

Personal Protection Equipment (PPE) is required whenever installing or servicing this equipment. Always wear safety glasses, gloves, protective boots or shoes, long pants, and a long-sleeve shirt.



1. If the information in these instructions are not followed exactly, a fire or explosion may result, causing property damage, personal injury or death.
2. Installation and service must be performed by a qualified installer or service agency.
3. This unit is designed only for use with R-290 (propane) gas as the designated refrigerant.

THE REFRIGERANT LOOP IS SEALED. ONLY A QUALIFIED TECHNICIAN SHOULD ATTEMPT TO SERVICE!

- Propane is flammable and heavier than air.
- It collects first in the low areas but can be circulated by the fans.
- If R-290 (propane) is present or even suspected, do not allow untrained personnel to attempt to find the cause.
- The propane gas used in the unit has no odor.
- The lack of smell does not indicate a lack of escaped gas.
- If a leak is detected, immediately evacuate all persons from the store, and contact the local fire department to advise them that a propane leak has occurred.
- Do not let any persons back into the store until the qualified service technician has arrived and that technician advises that it is safe to return to the store.
- A hand-held propane leak detector (“sniffer”) shall be used before any repair and/or maintenance.
- No open flames, cigarettes or other possible sources of ignition should be used inside the building where the units are located until the qualified service technician and/or local fire department determines that all propane has been cleared from the area and from the refrigeration systems.
- Component parts are designed for propane and non-incendive and non-sparking. Component parts shall only be replaced with identical repair parts.

FAILURE TO ABIDE BY THIS WARNING COULD RESULT IN AN EXPLOSION, DEATH, INJURY AND PROPERTY DAMAGE.

ATTENTION

Merchandiser must operate for 24 hours before loading product!

Regularly check merchandiser temperatures.

Do not break the cold chain. Keep products in freezer before loading into merchandiser.

Medium temperature merchandisers are designed for loading **ONLY** pre-chilled products.

Low temperature merchandisers are designed for loading **ONLY** frozen products.



This warning does not mean that Hussmann products will cause cancer or reproductive harm, or is in violation of any product-safety standards or requirements. As clarified by the California State government, Proposition 65 can be considered more of a 'right to know' law than a pure product safety law. When used as designed, Hussmann believes that our products are not harmful. We provide the Proposition 65 warning to stay in compliance with California State law. It is your responsibility to provide accurate Proposition 65 warning labels to your customers when necessary. For more information on Proposition 65, please visit the California State government website.

A 3 inch (76 mm) space between the rear of the merchandiser and wall must be maintained for air circulation. However, in high ambient conditions, sweating may still occur. If this happens install a method of forced ventilation such as a fan ventilation kit.

IMPORTANT
KEEP IN STORE FOR FUTURE REFERENCE
Quality that sets industry standards!

12999 St. Charles Rock Road • Bridgeton, MO 63044-2483

U.S. & Canada 1-800-922-1919 • Mexico 1-800-890-2900

www.hussmann.com

© 2023 Hussmann Corporation

ANSI Z535.5 DEFINITIONS

The definitions below are used to clarify the magnitude and urgency of harm and damage, considering problems arising from misuse. Relative to their potential danger, the definitions are divided into five parts according to ANSI Z535 Series.



DANGER indicates a hazardous situation which, if not avoided, will result in death or serious injury.



WARNING indicates a hazardous situation which, if not avoided, could result in death or serious injury.



CAUTION indicates a hazardous situation which, if not avoided, could result in minor or moderate injury.



NOTICE is used to address practices not related to personal injury.



SAFETY INSTRUCTIONS (or equivalent) signs indicate specific safety-related instructions or procedures.

INSTALLATION TOOL LIST

Unloading From Trailer:

Lever Bar (also known as a Mule,
Johnson Bar, J-bar, Lever Dolly,
and pry lever)
Moving Dolly

Setting Case Line-Up:

Level, 4 ft suggested
Ratchet
1/4 in. Socket
5/16 in. Socket
1/2 in. Socket
Battery Drill/Screw Gun
Caulking Gun
10 in. Adjustable Crescent Wrench

MANUAL REVISION HISTORY

REVISION F - Updated fan motor instructions; created Appendix

REVISION E

1. Removed Page 5-4; Revised fan motor service instructions, Page 6-1, 6-2. Updated cleaning procedures, Page 5-1. Updated warning colors

REVISION D

1. Revised procedures for fan motor harness connector, Section 5 & 6.

REVISION C

1. Added connection procedure for main fan motor harness connector, Page 6-4 & 6-5

REVISION B

Page 1-7, 1-9; Steps to Recover Refrigerant, Page 6-2

ORIGINAL ISSUE — JANUARY 2018

WARNING

- » Excessive ambient conditions may cause condensation and therefore sweating of doors. Facility operators should monitor doors and floor conditions to ensure safety of persons.

TABLE OF CONTENTS

INSTALLATION TOOL LIST	v
ANSI Z535.5 DEFINITIONS	v

INSTALLATION

UL Listing	1-1
Federal / State Regulations	1-1
Location	1-1
Product Temperatures	1-1
Shipping Damage	1-2
Apparent Loss or Damage	1-2
Concealed Loss or Damage	1-2
Unloading	1-2
Exterior Loading	1-2
Unloading using a Pallet Jack	1-3
Optional Casters and Dollies	1-3
Serial Plate Location	1-3
QR Code	1-3
Merchandisers Shipped with End Installed	1-4
End Shipping Braces	1-4
Shipping Rider	1-4
Merchandiser Leveling	1-5
Joining Instructions	1-6
Apply Gaskets	1-7
Case Joining	1-8
Sealing Lineup Joints	1-11
Installing End Assemblies	1-12
Partition Hardware	1-15
Acrylic Partition Hardware	1-21
Installing Bumpers	1-23
Installing Motorized Night Curtains	1-24

ELECTRICAL / CONTROLLER / WATER / REFRIGERATION

Working with R-290 Refrigerant	2-1
Electrical	2-2
Merchandiser Electrical Data	2-2
Plug	2-2
Electronic Controller	2-3
Connecting Device	2-10
Controller Trouble Shooting	2-12
Before Beginning any Service or Repair	2-13
Replacing Refrigeration System Components	2-14
Charging	2-14
Water (for condensers)	2-15
Inhibited Propylene Glycol System Requirements	2-16
Piping Requirements	2-16
Pre-Installation System Cleaning	2-17
Top Mounted Connections Water & Electrical	2-18
Refrigeration	2-20
Condensing Unit Access	2-20
Identification of Wiring	2-22
Sensor Location	2-22
Electrical Acces for Fascias	2-23

DRIP PIPING / FIT & FINISH / SPLASHGUARDS

Waste Outlet and Water Seal	3-1
Installing Drip Piping	3-2
Optional Hub Drain Drip Piping Example for Ultra Low Front Cases	3-4
Final Alignment / Fit & Finish	3-7
Fascia Panel Alignment	3-8
Front Panel Alignment	3-9
Installing End Splashguards	3-10
Installing Splashguard Brackets	3-12
Installing Splashguards	3-13
Splashguard Alignment	3-14

START-UP / OPERATION

Start-Up	4-1
12 Hours After Start-Up Checklist	4-2
Load Limits	4-3
Stocking	4-3
Shelf Maximum Weight Limits	4-4
Multi-Deck Shelf Configuration	4-4
LED Fixtures	4-5
Procedure for Installing Lighted Shelves	4-6
Shelf LED Clip Installation	4-8
Thermometer	4-9

MAINTENANCE

Identification of Case Parts	5-1
Care & Cleaning	5-2
Fan Motor Harness Plug	5-4
Recommended Cleaning Instructions	5-5
Cleaning Honeycomb Assemblies	5-7
Bottom Liner Repair	5-8
Cleaning Coils	5-9
Cleaning Stainless Steel Front Rails	5-9
Removing Scratches from Bumper	5-9
Cleaning Under Merchandisers	5-9
Cleaning Mirrors	5-10
Removing Interior Back Panels	5-10

SERVICE

Service Warning	6-1
Replacing Refrigeration System Components	6-2
Cleaning and Flushing	6-2
Steps to Recover Refrigerant	6-2
Charging	6-3
SharkBite Fittings	6-4
Replacing Fan Motor and Blades	6-6
Repairing Aluminum Coil	6-8
Warranty Information	6-9

APPENDIX

Replacing Fan Motors (locking harness connector)	7-1
Fan Speed Selector	7-3

INSTALLATION

UL LISTING

These merchandisers are manufactured to meet ANSI/ UL 471 standard requirements for safety. Proper installation is required to maintain the listing.

FEDERAL / STATE REGULATION

These merchandisers at the time they are manufactured, meet all federal and state/provincial regulations. Proper installation is required to ensure these standards are maintained. Near the serial plate, each merchandiser carries a label identifying the environment for which the merchandiser was designed for use.

**ANSI/NSF-7 Type I – Display Refrigerator / Freezer
Intended for 75°F (24°C) / 55% RH Ambient Application**

**ANSI/NSF-7 Type II – Display Refrigerator / Freezer
Intended for 80°F / 55% RH Ambient Application**

**ANSI/NSF-7 – Display Refrigerator
Intended for Bulk Produce**

LOCATION

These merchandisers are designed for displaying products in air conditioned stores where temperature is maintained at or below the ANSI/ NSF-7 specified level and relative humidity is maintained at or below 55%.

Placing refrigerated merchandisers in direct sunlight, near hot tables or near other heat sources could impair their efficiency. Like other merchandisers, these are sensitive to air disturbances. Air currents passing around merchandisers will seriously impair their operation. Do NOT allow air conditioning, electric fans, open doors or windows, etc. to create air currents around the merchandisers.

PRODUCT TEMPERATURES

Product should always be maintained at proper temperature. This means that from the time the product is received, through storage, preparation and display, the temperature of the product must be controlled to maximize product life.

This equipment uses a flammable refrigerant. Installation, service and repair should be done only by qualified and trained technicians in accordance with this manual.

If a leak is detected, follow store safety procedures. It is the store's responsibility to have a written safety procedure in place. The safety procedure must comply with all applicable codes such as local fire department's codes. At minimum, the following actions are required:

- Immediately evacuate all persons from the store, and contact the local fire department to advise them that a propane leak has occurred.
- Call Hussmann and/or a qualified service agent and inform them that a propane sensor has detected the presence of propane.
- Do not let any persons back into the store until the qualified service technician has arrived and that technician advises that it is safe to return to the store.
- The propane gas used in the unit has no odor. The lack of smell does not indicate a lack of escaped gas.
- A hand-held propane leak detector (“sniffer”) should be used before any repair and/or maintenance is attempted. All repair parts must be identical models to the ones they are replacing.
- No open flames, cigarettes or other possible sources of ignition should be used inside the building where the units are located until the qualified service technician and/or local fire department determines that all propane has been cleared from the area and from the refrigeration systems.

SHIPPING DAMAGE

All equipment should be thoroughly examined for shipping damage before and during unloading.

This equipment has been carefully inspected at our factory. Any claim for loss or damage must be made to the carrier. The carrier will provide any necessary inspection reports and/or claim forms.

Apparent Loss or Damage

If there is an obvious loss or damage, it must be noted on the freight bill or express receipt and signed by the carrier’s agent; otherwise, carrier may refuse claim.

Concealed Loss or Damage

When loss or damage is not apparent until after equipment is uncrated, retain all packing materials and submit a written request to the carrier for inspection, within 15 days.

UNLOADING

Improper handling may cause damage to the merchandiser when unloading. Use the shipping brace and arched pod locations to lift when unloading cases.

1. Do not drag the merchandiser out of the trailer. Use a Johnson bar (mule).
2. Do not lift the case by the liner. Lift with the metal case base, arched plastic pods or the shipping brace.
3. Do not lift from the bottom edge of the end panel.

EXTERIOR LOADING

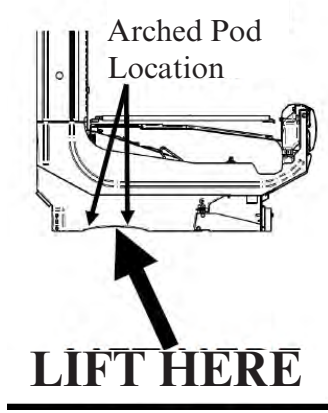
Do NOT walk on top or inside of merchandisers or damage to the merchandisers and serious personal injury could occur. **THEY ARE NOT STRUCTURALLY DESIGNED TO SUPPORT EXCESSIVE EXTERNAL LOADING** such as the weight of a person. Use caution when working around refrigeration lines or water lines, damage to equipment and personal injury could occur.

⚠ WARNING

» If the case is to be moved using a fork lift, position the forks of the lift directly under the arched pods or shipping rails. Use extreme caution when transporting cases. Personal injury or death could result if a case falls on personnel.

⚠ WARNING

» Do not walk on case. Do not store items or flammable materials atop the case.



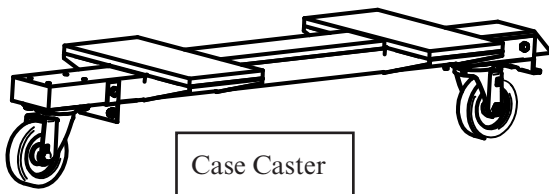
UNLOADING USING A PALLET JACK

A pallet jack is also very helpful in moving a merchandiser to its permanent location. It can also be used to remove optional casters or to shim the case.



OPTIONAL CASTERS AND DOLLIES

Cases may be equipped with factory installed casters or dollies. Instructions for removing the casters or dollies are included in a separate document, shipped with the case. Use caution when transporting cases from the truck to the store location.



Case Caster

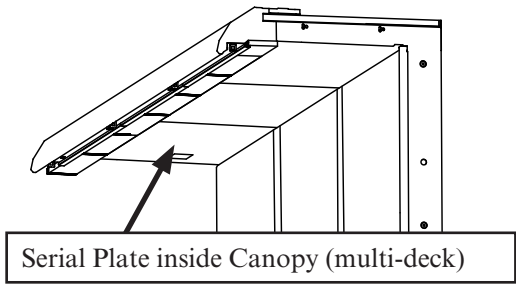
⚠ WARNING

» Use caution when moving cases with casters or dollies. Damage to equipment and personal injury could occur from improper handling.

SERIAL PLATE LOCATION

Serial plates are located on the left side, facing the case. The serial plate contains information about the specific model and its operating parameters.

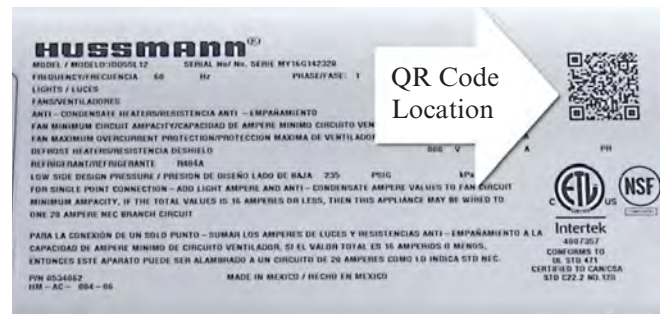
NOTE: A second serial plate for multi-deck cases is also located behind the return air grille.



Serial Plate inside Canopy (multi-deck)

QR CODE

Cases have a QR code located on the serial plate. Once you scan the QR code with a smart phone, all of the information about that case will be at your fingertips. Links to installation videos, data sheets with case specifications, the installation and operation manual, as well as a link to replacement parts from Hussmann's Performance Parts Website.



⚠ WARNING

» Use caution when working around refrigeration lines or water lines. Damage to equipment and personal injury could occur.

MERCHANDISERS SHIPPED WITH END INSTALLED

If the merchandiser was shipped with the end installed, two long bolts were used to hold the shipping brace to the end. If the shipping bolts are reinserted after removing the brace, they will extend into the product area. **THEREFORE, BE SURE TO REPLACE THESE BOLTS WITH THE SHORTER BOLTS PROVIDED.** NSF requires any bolt or screw in the product area be capped or cut off if it has more than three exposed threads.



Be careful not to damage the factory installed end while moving the merchandiser.

CAUTION

» Do not remove shipping braces until the merchandisers are positioned for installation.

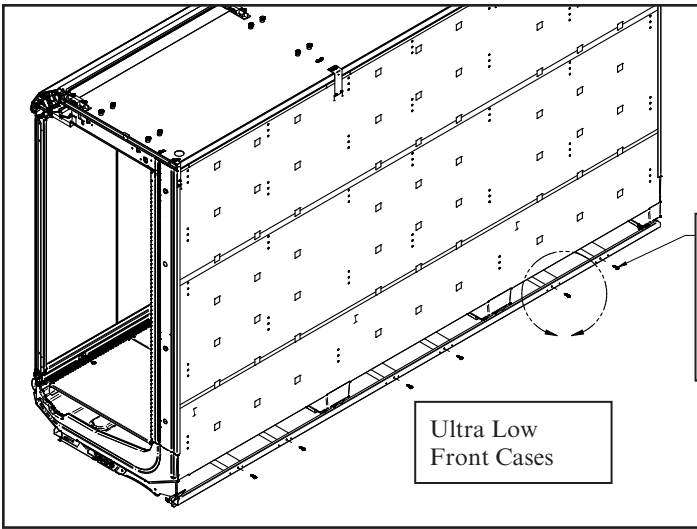
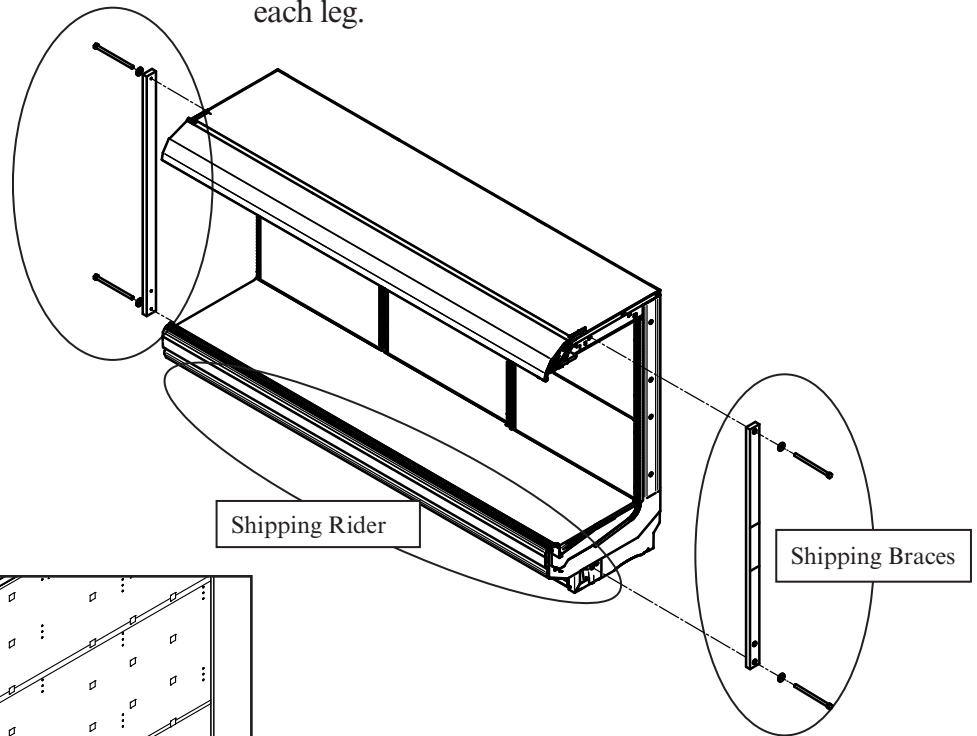
END SHIPPING BRACES

Move the merchandiser as close as possible to its permanent location, then remove all packaging. Check for damage before discarding packaging. Remove all separately packed accessories such as kits and shelves.

Do not remove end braces until joining begins.
Recycle wooden braces and hardware.

SHIPPING RIDER

Some merchandisers are shipped on a rider to protect the factory installed front legs, and to make positioning the merchandiser easier. To remove the rider, remove bolts attaching rider to each leg.



Remove 6 Screws and Wooden Supports Prior to Moving Case into Position (rear rail will remain attached to merchandiser)

MERCHANDISER LEVELING

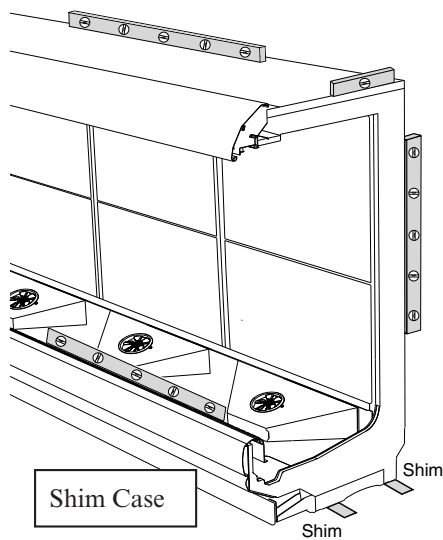
IMPORTANT

Merchandisers must be installed level to ensure proper operation of the refrigeration system and to ensure proper drainage of defrost water. Pay close attention to case position during all steps of setting, joining and leveling.

NOTE: BEGIN LINEUP LEVELING FROM THE HIGHEST POINT OF THE STORE FLOOR.

Preparation

1. Using store blueprints, measure off and mark on floor the exact dimensions/locations of the merchandiser footprint. **A 1½ inch space is required behind each merchandiser to prevent condensation.**
2. Snap a chalk line for the front and rear positions of the base pods.
3. Mark the location of each joint from front to back lines.
4. **USE SUPPLIED SHIMS TO LEVEL CASE. Shims are to be inserted under the black, plastic base pods.**



CAUTION

- » Tipping Hazard! Case tipping may occur if cases are not properly leveled and secured, or if cases are not properly loaded.



Case Lineup Leveling

1. **FLOORS ARE NOT LEVEL!** The whole lineup must be leveled on the same plane, left to right and front to back. This means that the entire lineup must be brought up to the level of the highest case in the lineup.


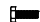














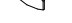

Along the lines previously marked, find the highest point of the floor by:

- Walking the floor and noticing any dips or mounds;
- Using a string level; and
- Using a transit.

2. Position the first merchandiser at the highest point on the floor. Work outward from that point to create the merchandiser lineup.
3. Use a 48 inch (1220 mm) or longer level for end-to-end leveling. The rear edge of the top foam panel of the merchandiser is a good location for the level at the rear of the case.
4. For leveling the merchandiser front-to-rear, a 24 inch (610 mm) level should be placed on the lower flange of the merchandiser end frame. If the merchandiser has a factory installed end, the level should be placed on the canopy support brackets on top of the merchandiser. Suggested level locations are shown in the illustration.

JOINING CASES IN A LINEUP JOINING AND SEALING HARDWARE

Description	Multi Deck Qty/Each	Convertible Qty/Each	Single Deck Qty/Each	Door Multi Deck Qty/Each
SEALER SILICONE ADHESIVE	1	1	1	1
GASKET 1/2 X 1/2 X 180	2	1	1	2
SCREW-SHEET METAL #8 X 5/8 PHIL HX HD	N/A	1	N/A	N/A
SCREW-CAP 1/4 x 3/4 HEX	N/A	N/A	N/A	2
BOLT HEX CAP 5/16 x 3/4	1	1	1	1
BOLT 5/16 x 2 3/4 GRADE 5 ZINC PLATED TAP	2	N/A	N/A	2
BOLT- TAP, 5/16 x 4 1/2, STEEL, ZINC FINISH, GR5 (Qty Varies)	5	2	1	5
BOLT- TAP, 5/16 x 7, STEEL, ZINC FINISH, GR5	1	1	1	1
WASHER-FLAT 5/16" ZINC (Qty Varies)	13	5	3	13
LOCKWSHR 1/4 SPLT STL	N/A	N/A	N/A	2
LOCKWSHR 5/16 SPLT STL	1	1	1	1
NUT-HEX 1/4	N/A	N/A	N/A	2
NUT-HEX 5/16 STEEL ZINC FINISH GRADE 8 (Qty Varies)	9	4	3	9
NUT-HEX 3/8-24 SERRATED FLANGE	4	N/A	N/A	4
PIN-ALIGNMENT	1	1	1	N/A
CONE-CASE ALIGNMENT (Qty Varies)	4	2	2	4
PLATE-BOTT DOOR RAIL ALIGNMENT	N/A	N/A	N/A	1
BRACKET-CASE JOINING	4	N/A	N/A	4
BRACKET-FASCIA ALIGNMENT IC2 & IC3	N/A	1	N/A	N/A
COVER-HAND RAIL JOINT	1	1	1	N/A
TAPE-BUTYL 1/16 x 2" X 49"	1	1	1	1

- Screw-Sheet Metal #8 x 5/8 
- Screw-Cap 1/4 x 3/4 
- Bolt-5/16 x 3/4 
- Bolt-5/16 x 2 3/4 
- Bolt-5/16 x 4 1/2 
- Bolt-5/16 x 7 
- Washer Flat-5/16 
- Washer Lock-1/4 
- Washer Lock-5/16 
- Nut Hex-1/4 
- Nut Hex-5/16 
- Nut Hex-3/8 Serr Flange 
- Pin-Alignment 
- Cone-Alignment 
- Plate-Bottom Door Rail Alignment 
- Bracket-Case Joining 
- Bracket-Fascia Alignment IC2 & IC3 
- Cover-Handrail Joint 

IMPORTANT:

Do not pull cases together with bolts. Cases must be moved together as close as possible. Follow sequence balloons to tighten bolts.

Apply gasket to only one side of case joint.

Remove end shipping braces as described on Page 1-4.

Cases must be leveled as described on Page 1-5.

Removed any casters - if installed.

Install case lineup from left to right.

Remove shelves, display racks, pans & interior back panels at the joining area.

Insert gasket into case channels the entire length with no gaps.

Do not stretch gasket, especially around corners.

Do not butt gaskets, always overlap them.

Remove paper backing after gasket has been applied.

Perimeter gasket is required by NSF.

Apply a continuous bead of neutral curing silicone sealant.

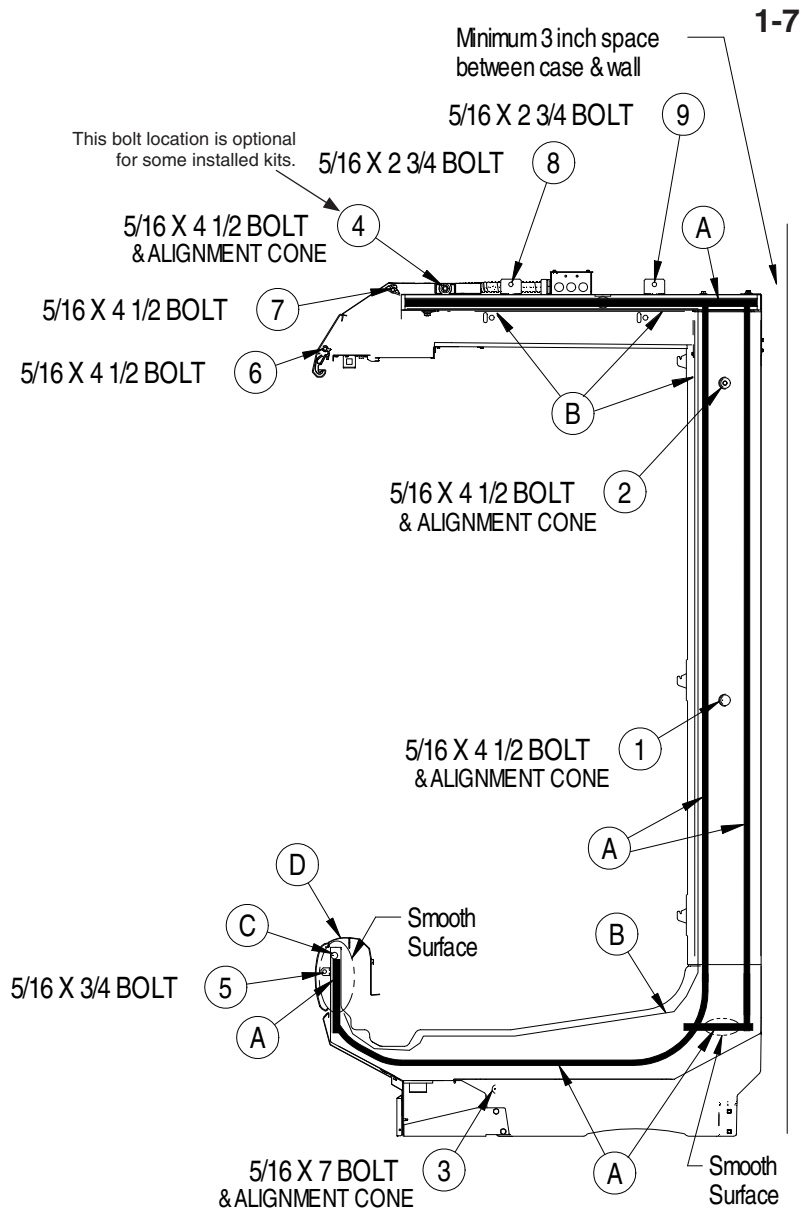
Joints must be air tight to prevent formation of ice or condensation.

**APPLY GASKETS
(MULTI-DECK)**

IP4 / IM5 / ID5 / ID6 / IC6 / IC4 / IC5
Case bolting details begin on the next page.

LEGEND:

- A = 1/2 x 1/2 INCH GASKET
- B = NEUTRAL CURING SILICONE SEALANT
- C = PIN-ALIGNMENT
- D = COVER-HAND RAIL JOINT



IMPORTANT:

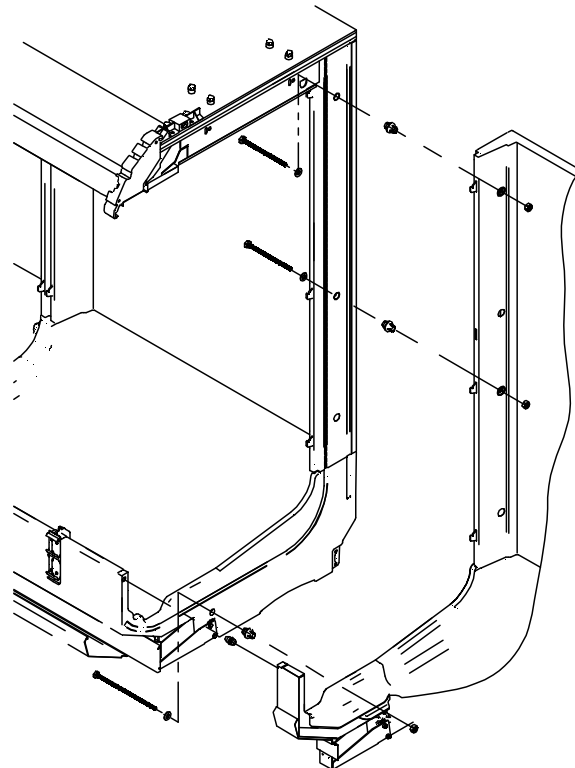
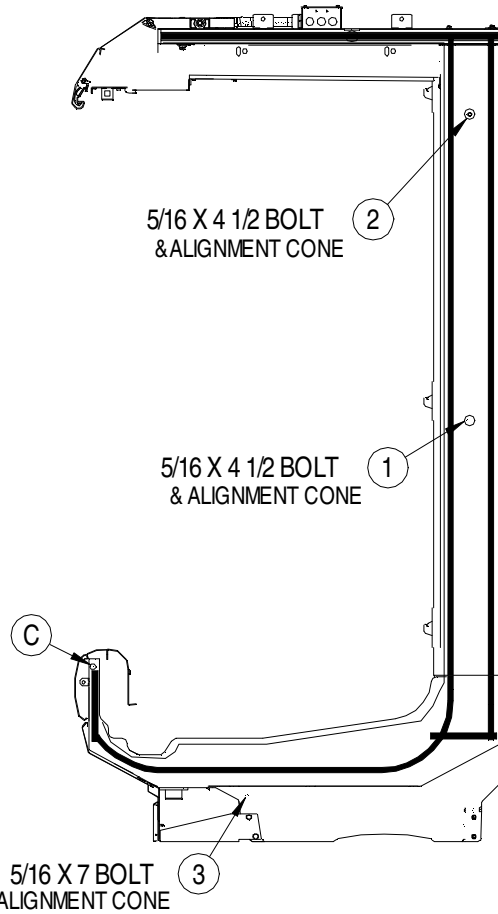
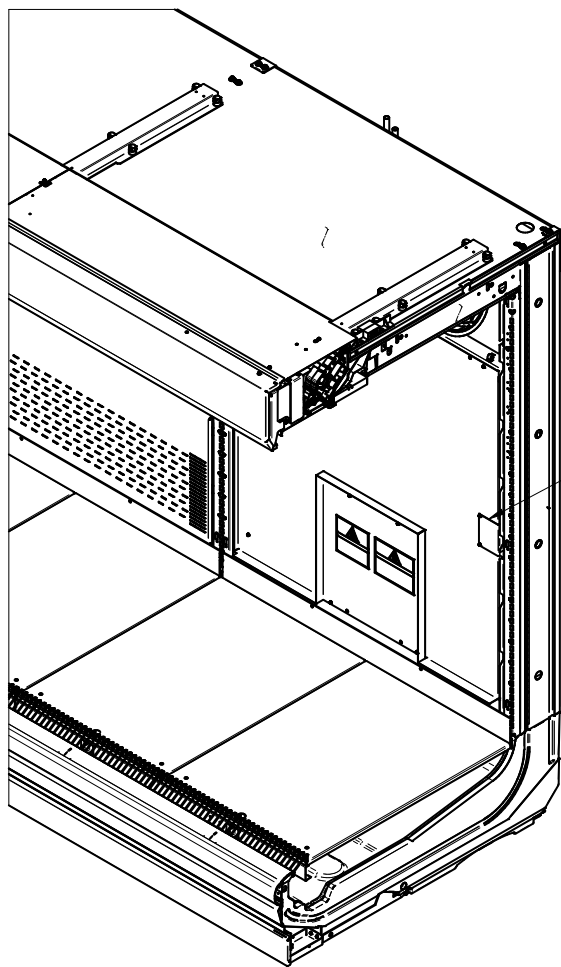
- Do not pull cases together with bolts. Cases must be moved together as close as possible Follow sequence balloons to tighten bolts.
- Merchandiser case joint & end gasket to be applied on only one side of joint.
- Merchandiser partition gasket to be applied on both sides of joint.
- Remove end shipping braces as described on Page 1-4
- Cases must be leveled as described on Page 1-5
- Removed any casters - if installed
- Install case lineup from left to right
- Remove shelves, display racks, pans & interior back panels at the joining area
- Insert gasket into case channels the entire length with no gaps
- Do not stretch gasket, especially around corners
- Do not butt gaskets, always overlap them
- Remove paper backing after gasket has been applied
- Perimeter gasket is required by NSF
- Apply a continuous bead of neutral curing silicone sealant
- Joints must be air tight to prevent formation of ice or condensation.

CASE JOINING (MULTI-DECK)
IP4 / IM5 / ID5 / ID6 / IC6 / IC4 / IC5
Refer to detail views

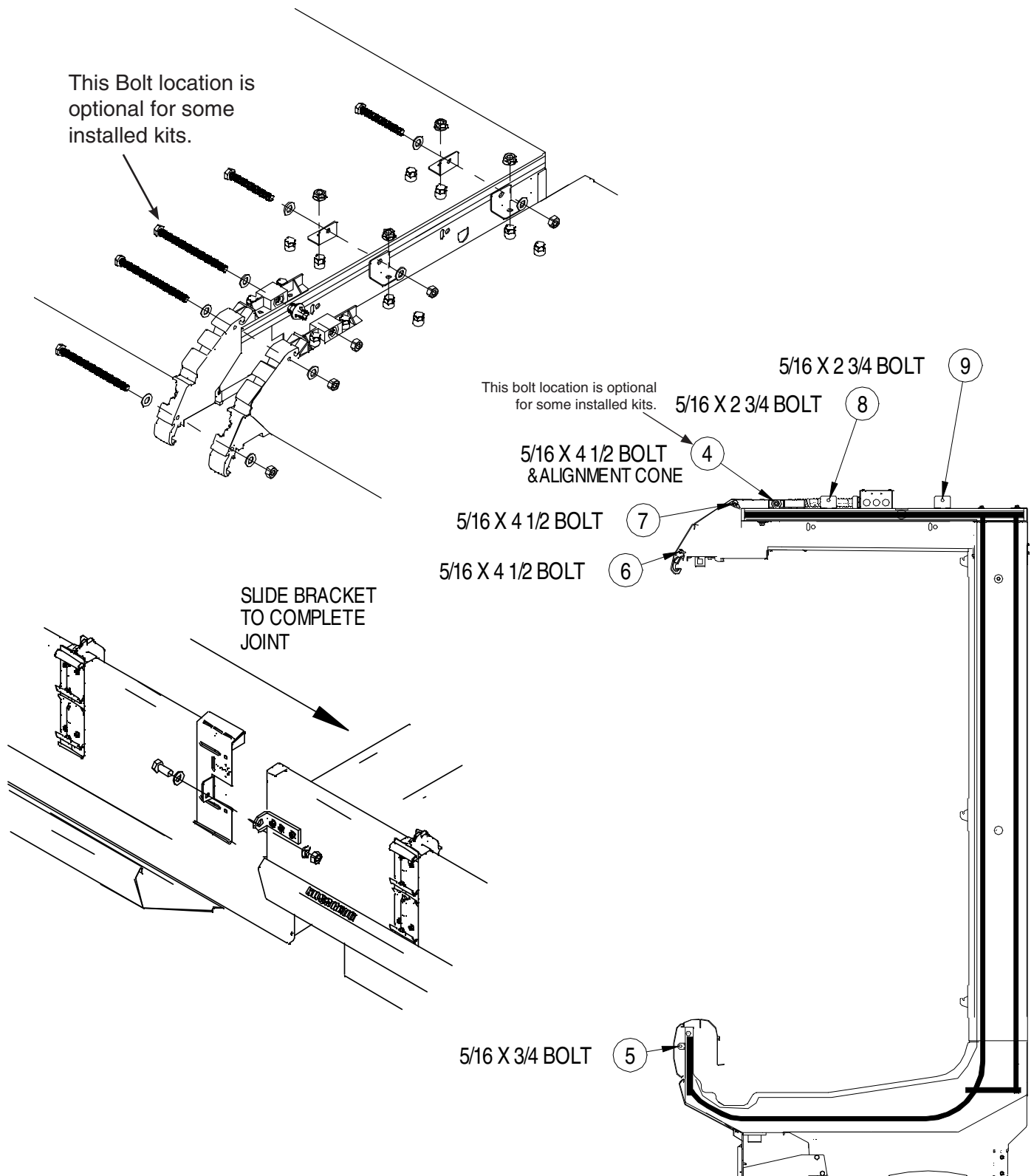
LEGEND:

C = PIN-ALIGNMENT

Do not pull cases together with bolts. Cases must be moved together as close as possible. Follow sequence balloons 1, 2, 3 to tighten bolts.



CASE JOINING (MULTI-DECK)
IP4 / IM5 / ID5 / ID6 / IC6 / IC4 / IC5
Refer to detail views



1-10

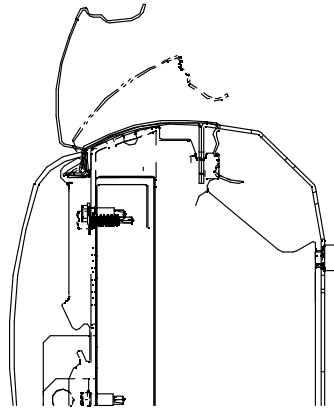
CASE JOINING (MULTI-DECK)
IP4 / IM5 / ID5 / ID6 / IC6 / IC4 / IC5

Refer to detail views

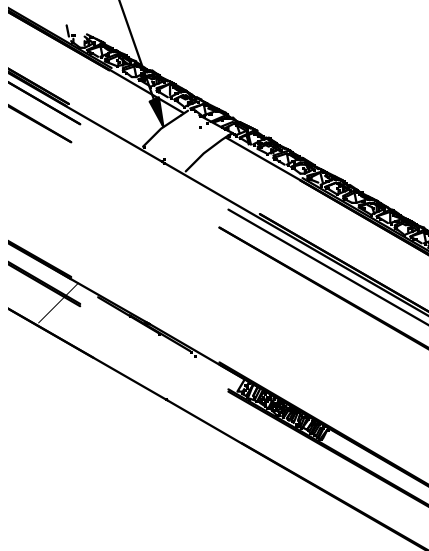
LEGEND:

D = COVER-HAND RAIL JOINT

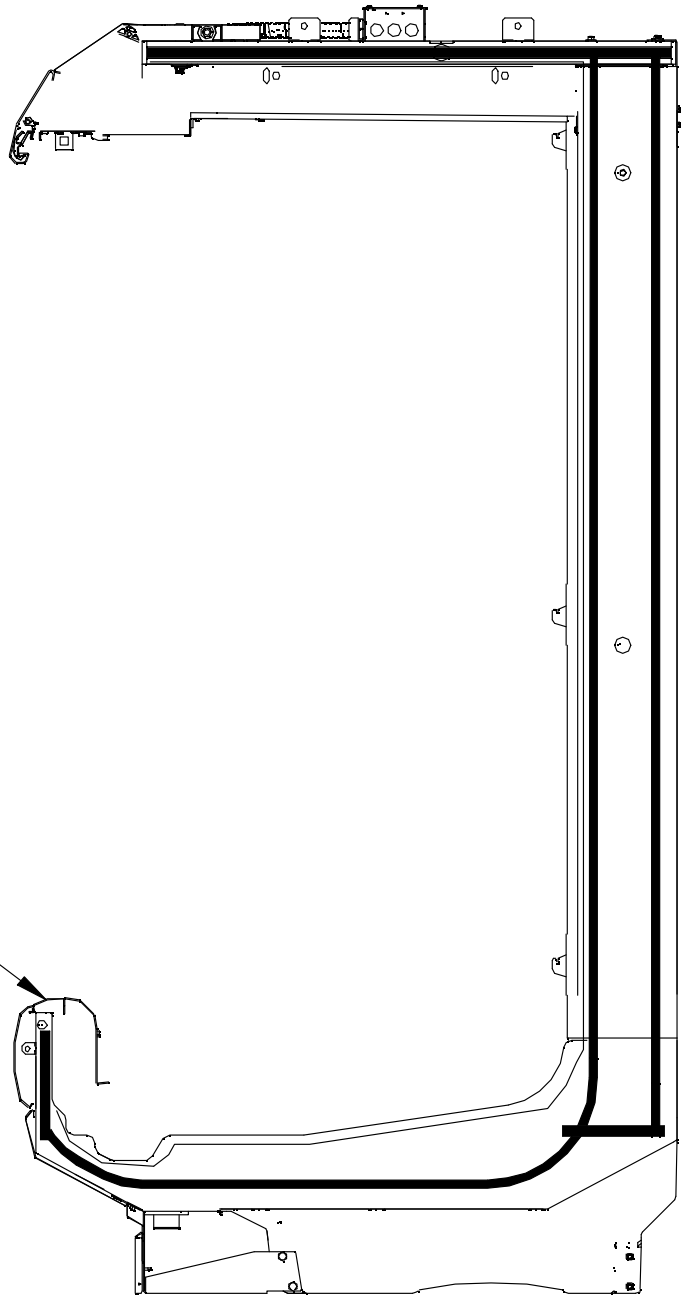
Push Cover in
this direction
to snap fit



Cover-Hand Rail Joint



D



SEALING LINEUP JOINTS (all cases)

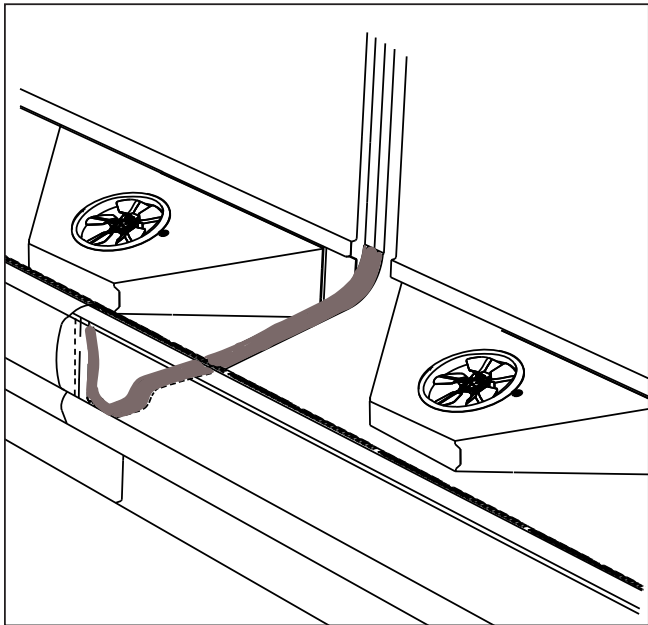
The joint between the two joined case must be sealed for sanitation. Apply Butyl tape across the case joint. Apply a long, continuous bead of silicone to fill any gaps between the cases.

Be sure to start from the back and go all the way to the air return as shown in the illustration below.

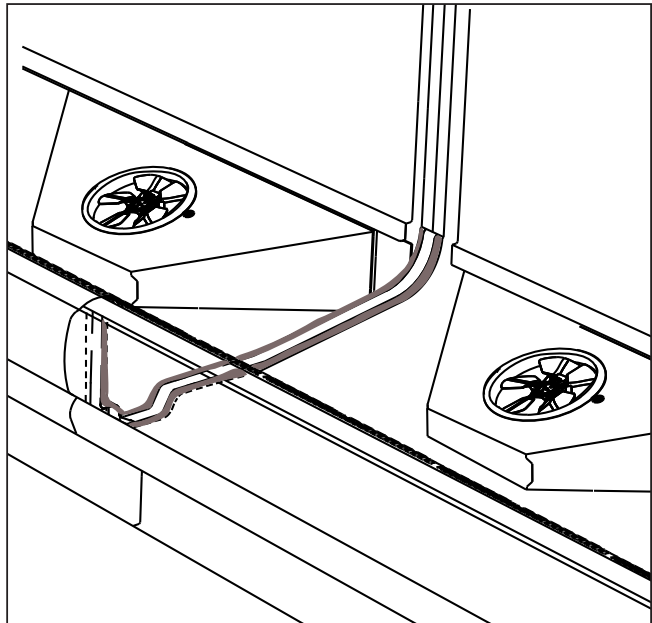
⚠ WARNING

» Use caution when working around refrigeration lines or water lines, damage to equipment and personal injury could occur.

 **IMPORTANT** Fill any gaps between cases with silicone.



Apply Butyl Tape



**Apply Neutral Curing
Silicone Sealant**

**Apply Neutral Curing Silicone Sealant
in any gaps between the Case Joints.**

















INSTALLING END ASSEMBLIES

Remove shipping brace. Brace screws will be replaced with shorter screws found in packout kit. Ensure Nut Retainers are in place. Apply Gaskets and Silicone to End Frame.

Apply 1/2 x 1/2 in. (12.7 mm) x (12.7 mm) gaskets into the case channels. Check that the gasket is properly inserted into the entire length of the channels with no gaps. Apply silicone between case end cap and end.

FIELD INSTALLED HARDWARE	Multi Deck Qty/Each	Convertible Qty/Each	Single Deck Qty/Each	View End Multi Deck Qty/Each
Description				
SEALER SILICONE ADHESIVE	1	1	1	1
GASKET 1/2 X 1/2 X 180	1	1	1	1
SCREW SM 10-16X3/4 HX WASHER	1	1	1	N/A
BOLT 5/16 x 2 3/4 GRADE 5 ZINC PLATED TAP*	4	2	1	5
BOLT- TAP, 5/16 x 4 1/2, STEEL, ZINC FINISH, GR5	1	1	1	1
WASHER-FLAT 5/16" ZINC*	7	4	2	8
NUT-HEX 5/16 STEEL ZINC FINISH GRADE 8*	3	2	2	4
NUT-PUSH 5/16" RETAINER STEEL ZINC*	2	1	1	2
NUT-J RETAINER 5/16"	2	1	N/A	2
BUTTON-PLUG 7/8 DIA*	5	3	2	6

*Quantities may vary depending on which type of end is to be placed on case.

- Screw-sm #10 x 3/4 Hex Washer  
- Bolt-5/16 x 2 3/4  
- Bolt-5/16 x 4 1/2  
- Washer Flat-5/16  
- Nut Hex-5/16  
- Nut-Push 5/16  
- Nut-J Retainer  
- Button-Plug  

IMPORTANT:

Do not pull cases together with bolts. Cases must be moved together as close as possible. Follow sequence balloons to tighten bolts.

Apply case end gasket to only one side of case joint.

Remove end shipping braces as described on Page 1-4.

Cases must be leveled as described on Page 1-5.

Removed any casters - if installed.

Install case lineup from left to right.

Remove shelves, display racks, pans & interior back panels at the joining area.

Insert gasket into case channels the entire length with no gaps.

Do not stretch gasket, especially around corners.

Do not butt gaskets, always overlap them.

Remove paper backing after gasket has been applied.

Perimeter gasket is required by NSF.

Apply a continuous bead of neutral curing silicone sealant.

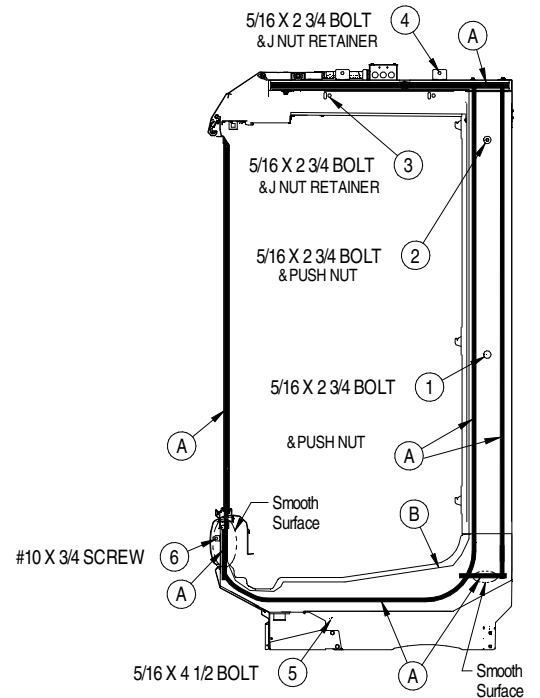
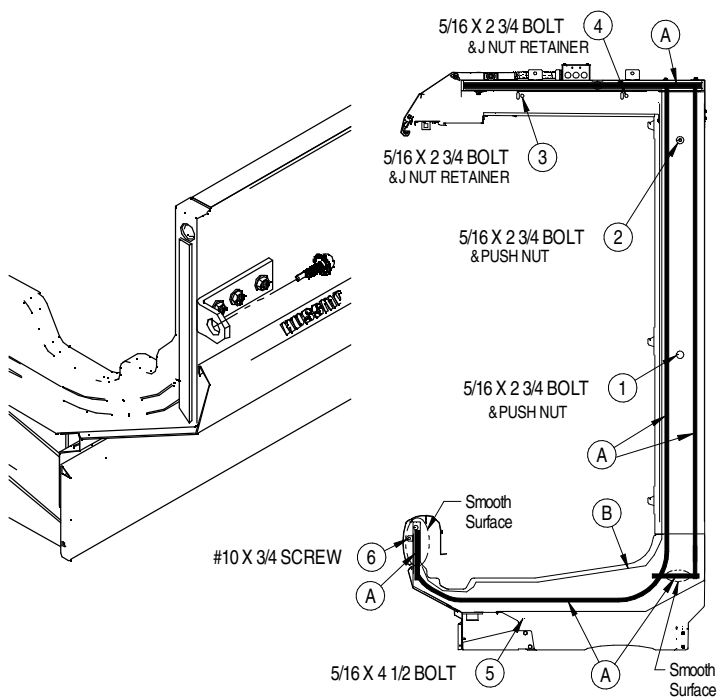
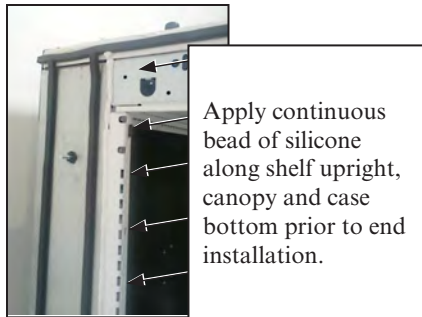
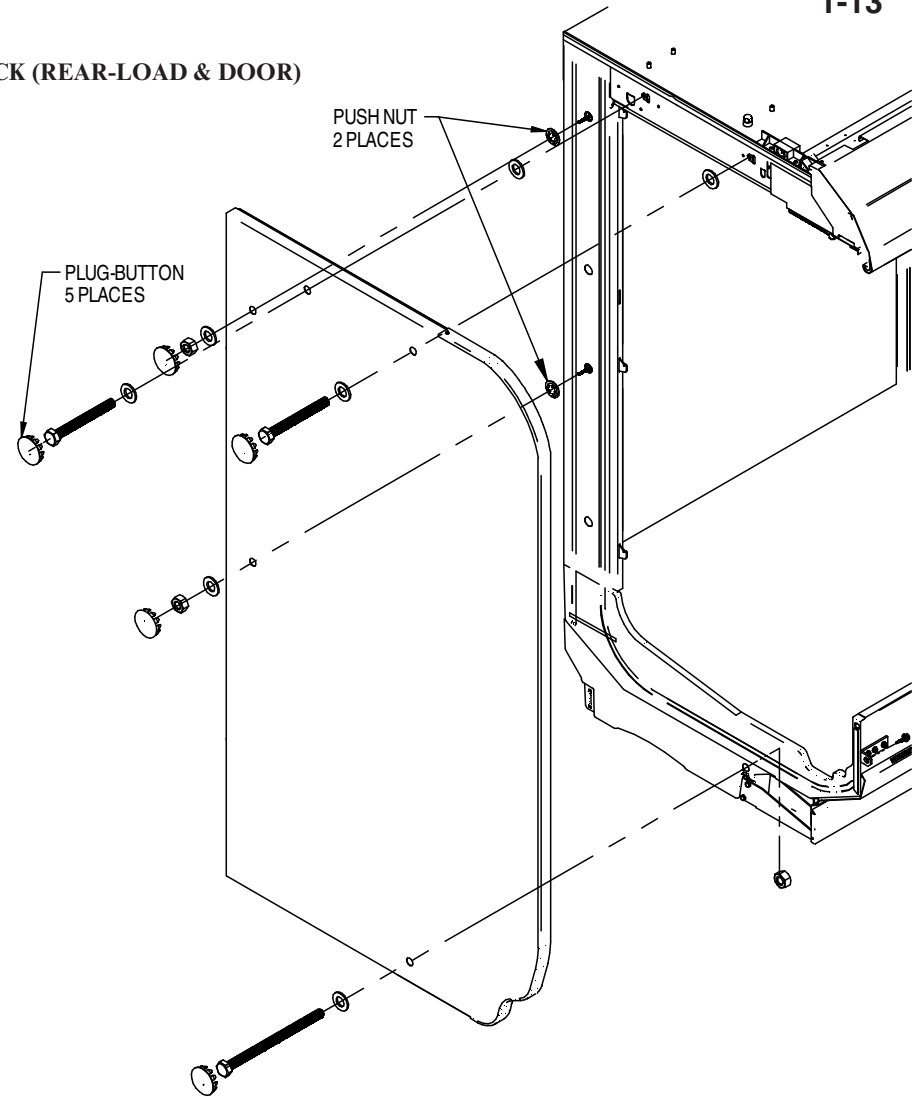
Joints must be air tight to prevent formation of ice or condensation.

CASE END INSTALLATION MULTI-DECK (REAR-LOAD & DOOR)

Refer to detail views

LEGEND:

- A = 1/2 x 1/2 INCH GASKET
- B = NEUTRAL CURING SILICONE SEALANT



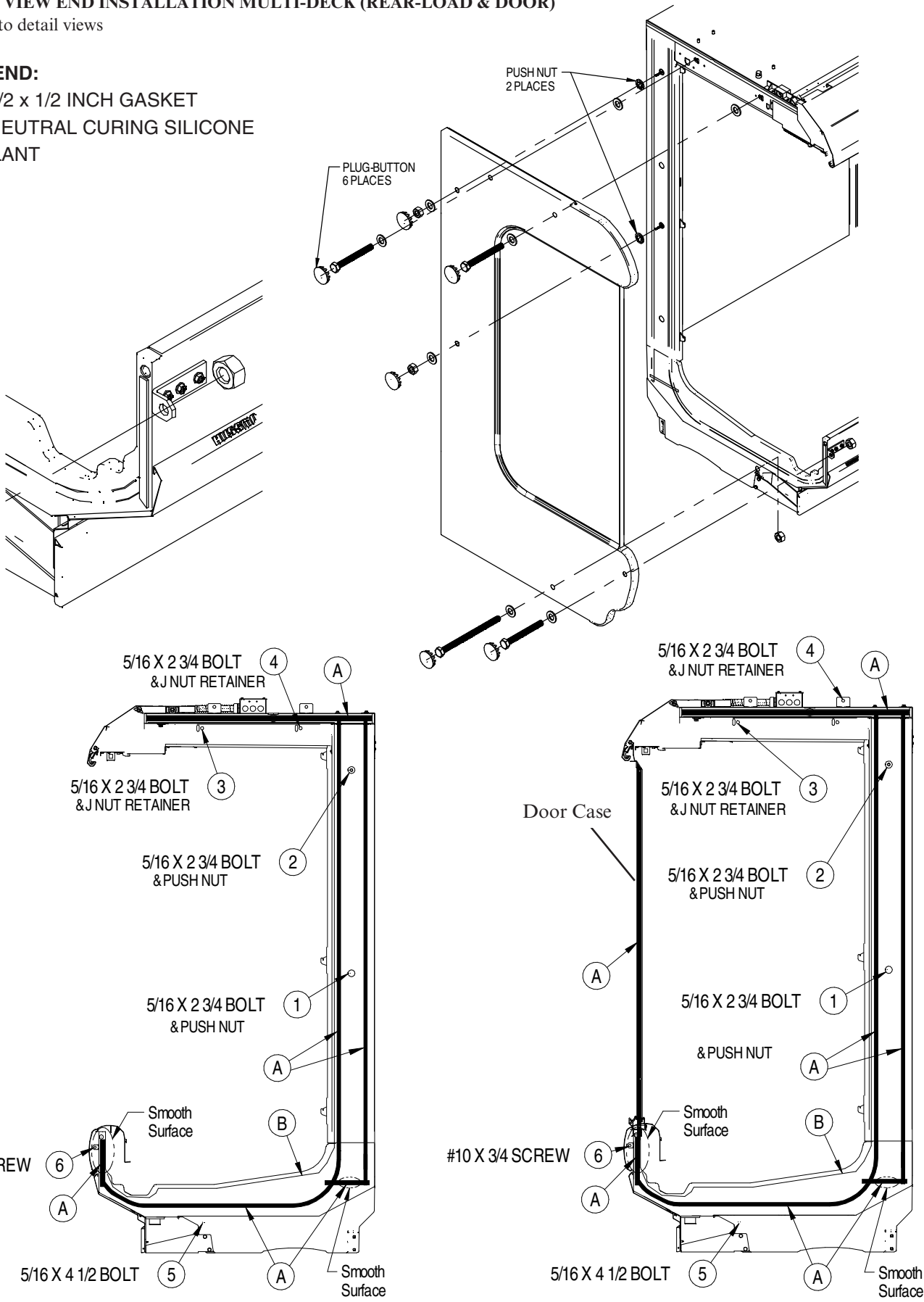
CASE VIEW END INSTALLATION MULTI-DECK (REAR-LOAD & DOOR)

Refer to detail views

LEGEND:

A = 1/2 x 1/2 INCH GASKET

B = NEUTRAL CURING SILICONE SEALANT



PARTITION HARDWARE

Remove shipping brace. Brace screws will be replaced with shorter screws found in packout kit. Ensure Nut Retainers are in place. Apply Gaskets and Silicone to End Frame.

Apply 1/2 x 1/2 in. (12.7 mm) x (12.7 mm) gaskets into the case channels. Check that the gasket is properly inserted into the entire length of the channels with no gaps. Apply silicone between case end cap and end.

Description	Alt Canopy Applications	Multi Deck/Door Same Case Qty/ Each	Multi Deck/Door Different Case Qty/ Each	Convertible Different Case Qty/ Each
SEALER SILICONE ADHESIVE	Refer to Multi Deck Different Case	2	2	2
GASKET 1/2 X 1/2 X 180	Refer to Multi Deck Different Case	2	2	2
SCREW-SHEET METAL #8 X 5/8 PHIL HX HD	3 or 4	1	1	1
SCREWSM10-16X3/4 HX WASHER	1	2	2	2
BOLT HEX 1/4 x 1 1/2	Refer to Multi Deck Different Case	N/A	2	N/A
BOLT HEX 1/4 x 2 1/4*	1	N/A	2	2
BOLT HEX 1/4 x 4.0	Refer to Multi Deck Different Case	N/A	1	N/A
BOLT HEX 5/16 x 2 3/4*	Refer to Multi Deck Different Case	1	4	2
BOLT-HEX 5/16 x 4 1/2	Refer to Multi Deck Different Case	2	1	N/A
BOLT-HEX 5/16 x 7.0*	Refer to Multi Deck Different Case	2	N/A	N/A
BOLT-HEX 5/16 x 8.0	Refer to Multi Deck Different Case	1	N/A	1
WASHER-FLAT 1/4*	1	N/A	5	2
WASHER-FLAT 5/16*	Refer to Multi Deck Different Case	8	5	4
NUT-HEX 5/16*	Refer to Multi Deck Different Case	7	3	4
NUT-HEX 3/8-24 SERRATED FLANGE	1	4	2	N/A
NUT-PUSH 5/16" RETAINER STEEL ZINC*	Refer to Multi Deck Different Case	2	N/A	N/A
NUT-J RETAINER5/16"	Refer to Multi Deck Different Case	1	2	1
BRACKET-CASE JOINING	N/A	4	2	N/A
BRACKET-CANOPY (ALT APPLICATIONS)	1	N/A	N/A	N/A
BRACKET-UNIBODY (ALT APPLICATIONS)	1	N/A	N/A	N/A
BUTTON-PLUG7/8 DIA*	Refer to Multi Deck Different Case	N/A	2	1
BRACKET-CLOSEOFF SPLASHGUARD	Refer to Multi Deck Different Case	1	1	1
CLOSEOFF-SPLASHGUARD	Refer to Multi Deck Different Case	1	1	1

*Quantities may vary depending on which type of end is to be placed on case.

- Screw-Sheet Metal #8 x 5/8
- Screw-sm #10 x 3/4 Hex Washer
- Bolt-1/4 x 1 1/2
- Bolt-1/4 x 2 1/4
- Bolt-1/4 x 4
- Bolt-5/16 x 2 3/4
- Bolt-5/16 x 4 1/2
- Bolt-5/16 x 7
- Bolt-5/16 x 8
- Washer Flat-1/4
- Washer Flat-5/16
- Nut Hex-5/16
- Nut Hex-3/8 Serr Flange
- Nut-Push 5/16
- Nut-J Retainer
- Bracket-Case Joining
- Bracket-Canopy (Alt Applications)
- Bracket-Unibody (Alt Applications)
- Button-Plug
- Bracket-Closeoff Splashguard
- Closeoff-Splashguard

IMPORTANT:

Do not pull cases together with bolts. Cases must be moved together as close as possible. Follow sequence balloons to tighten bolts.

Apply case end gasket to only one side of case joint.

Remove end shipping braces as described on Page 1-4.

Cases must be leveled as described on Page 1-5.

Removed any casters - if installed.

Install case lineup from left to right.

Remove shelves, display racks, pans & interior back panels at the joining area.

Insert gasket into case channels the entire length with no gaps.

Do not stretch gasket, especially around corners.

Do not butt gaskets, always overlap them.

Remove paper backing after gasket has been applied.

Perimeter gasket is required by NSF.

Apply a continuous bead of neutral curing silicone sealant.

Joints must be air tight to prevent formation of ice of condensation.

1-16

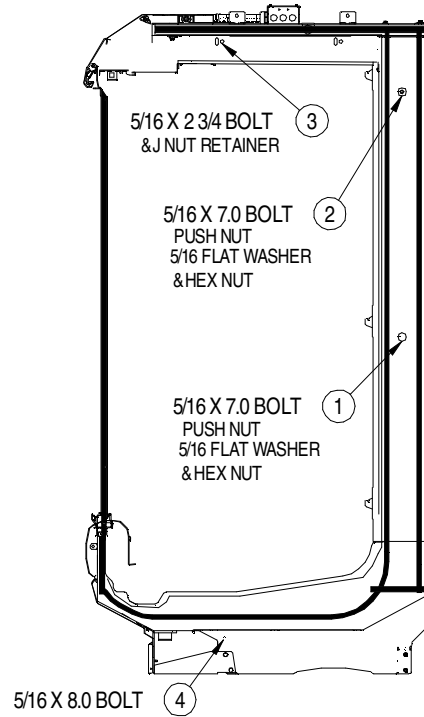
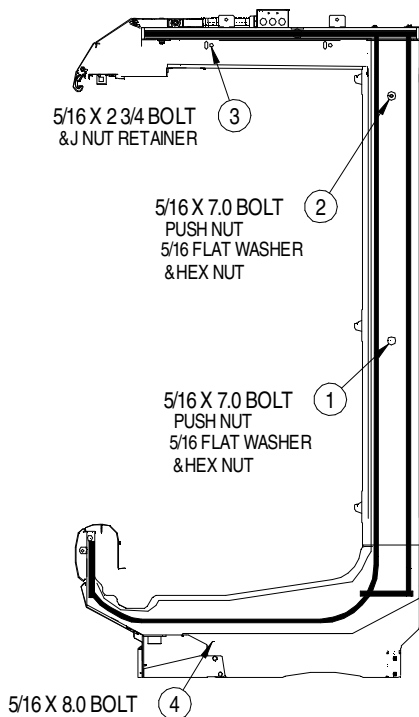
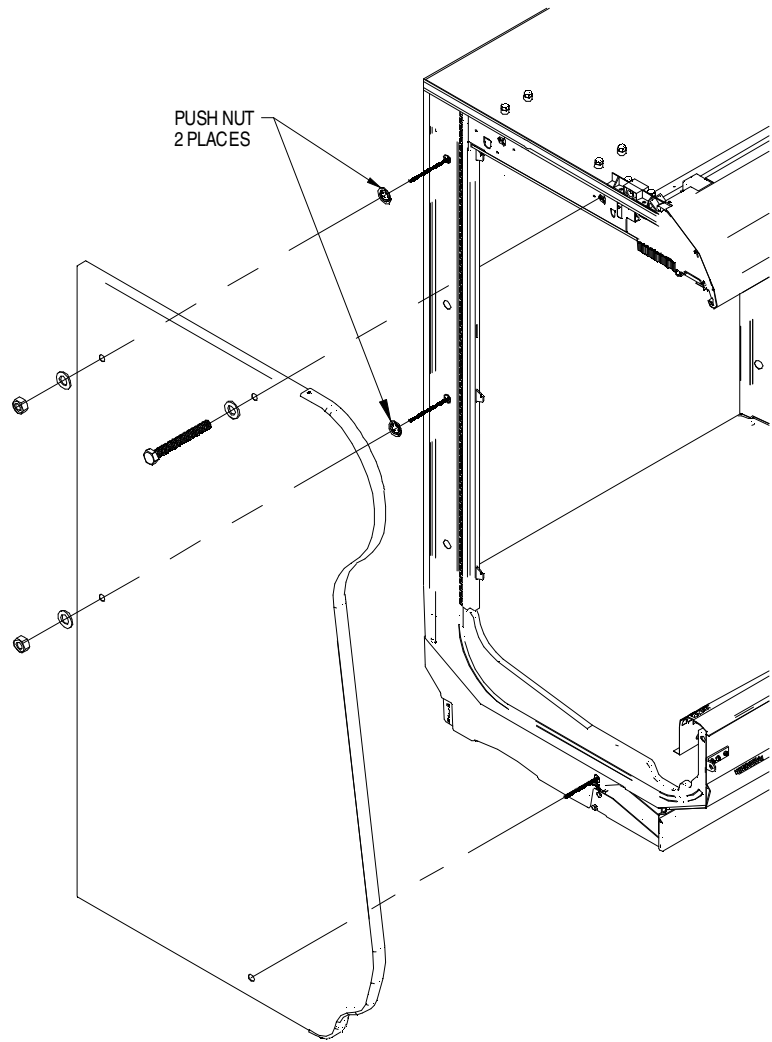
MULTI DECK (DOOR) SAME CASE PARTITIONS

Refer to detail views

LEGEND:

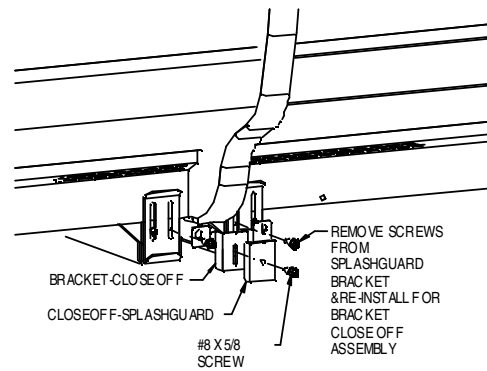
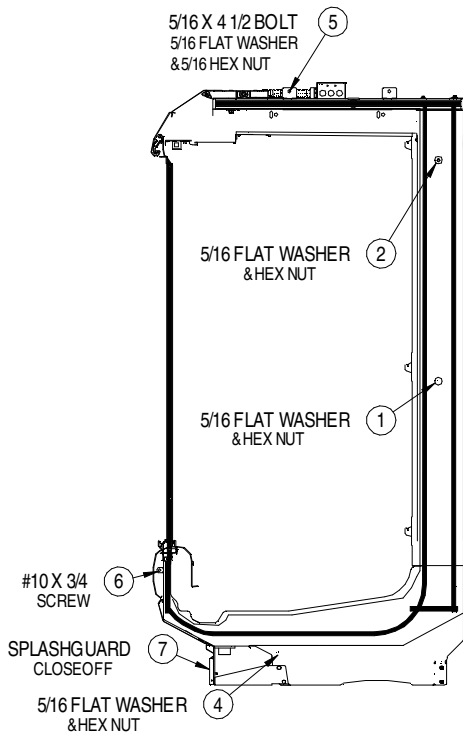
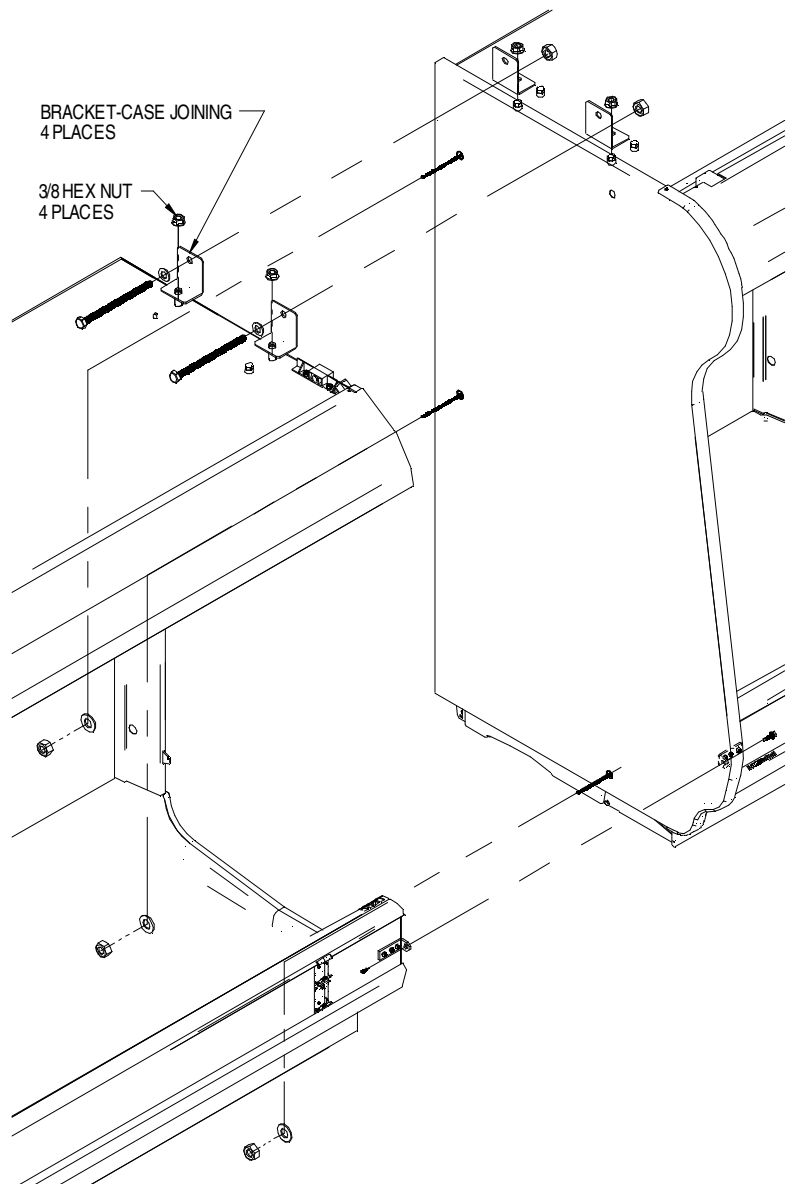
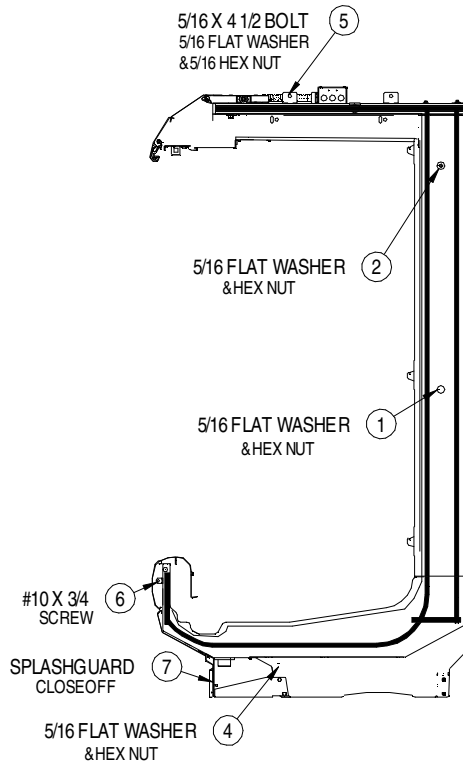
A = 1/2 x 1/2 INCH GASKET

B = NEUTRAL CURING SILICONE SEALANT



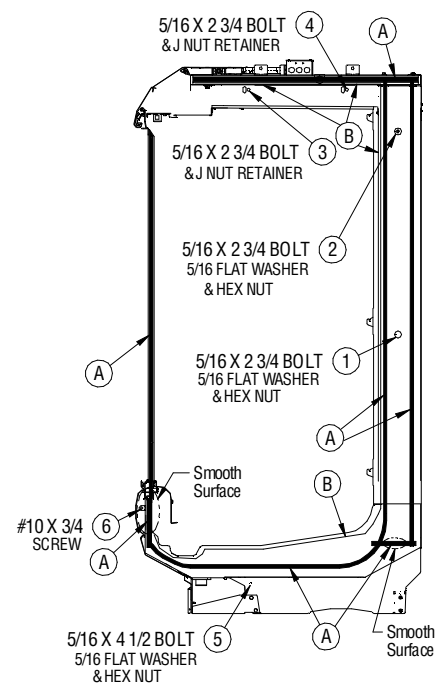
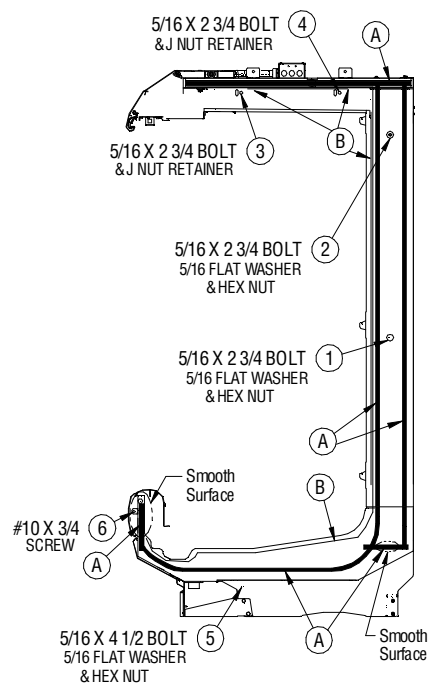
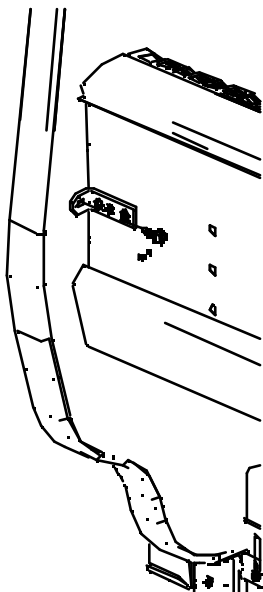
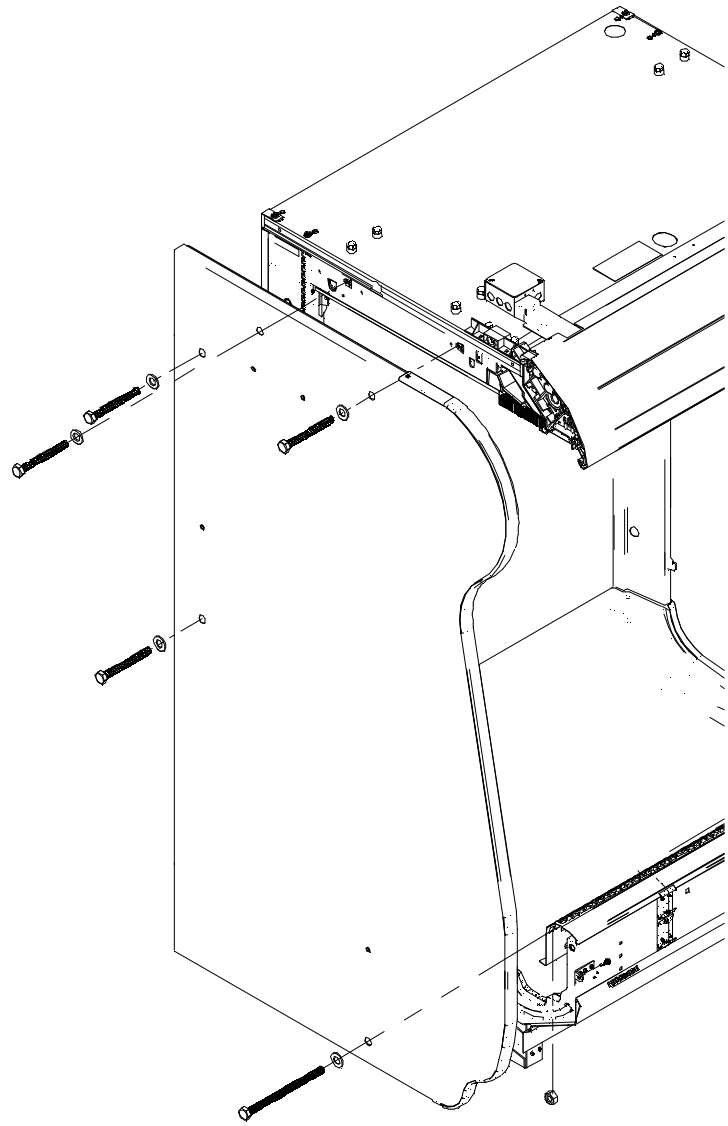
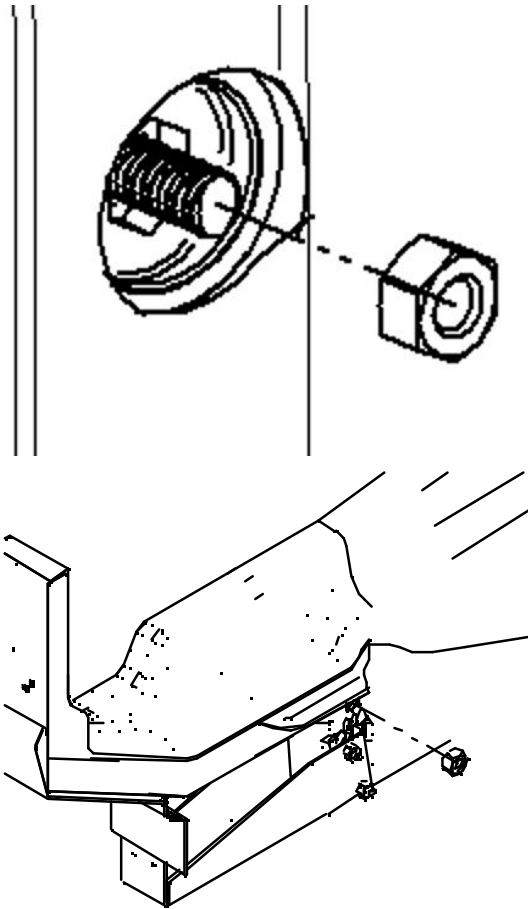
**MULTI DECK (DOOR)
SAME CASE PARTITIONS CONTINUED**

Refer to detail views



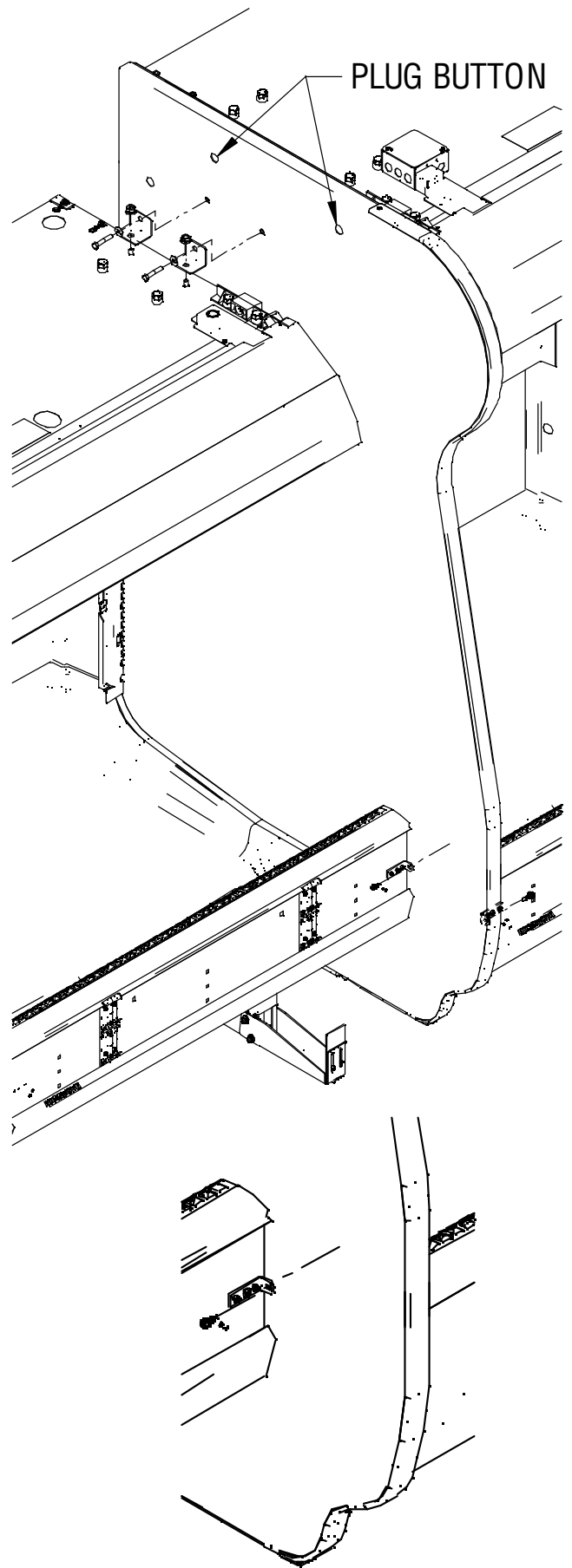
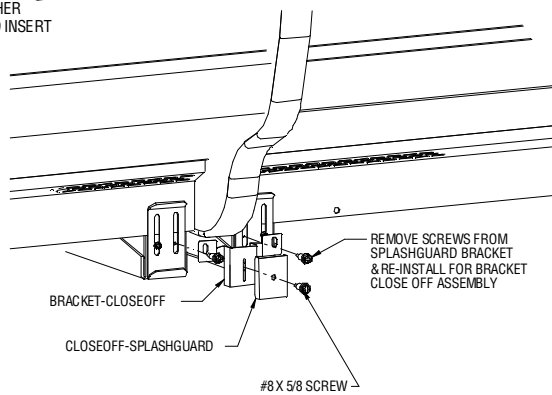
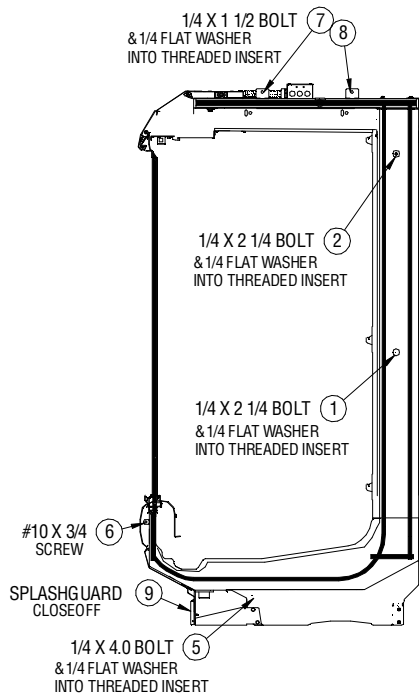
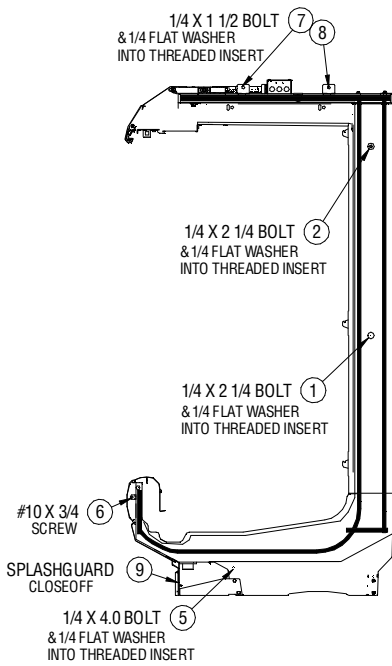
**MULTI DECK (DOOR)
DIFFERENT CASE PARTITIONS**

Refer to detail views



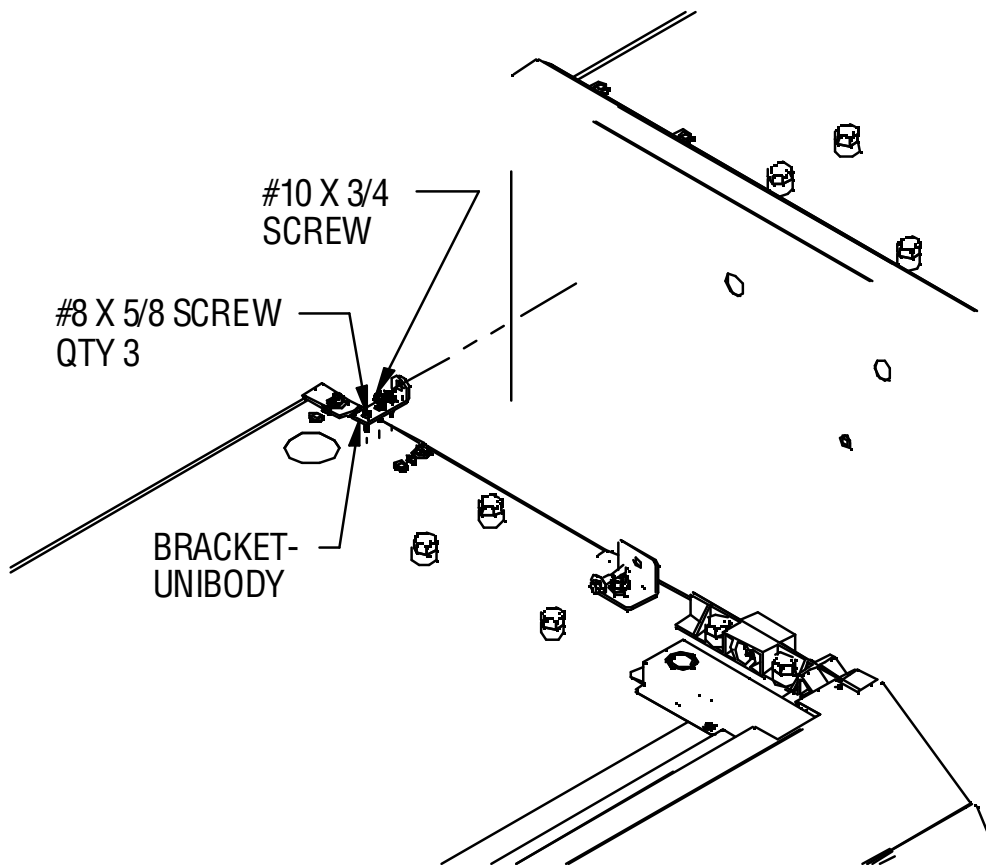
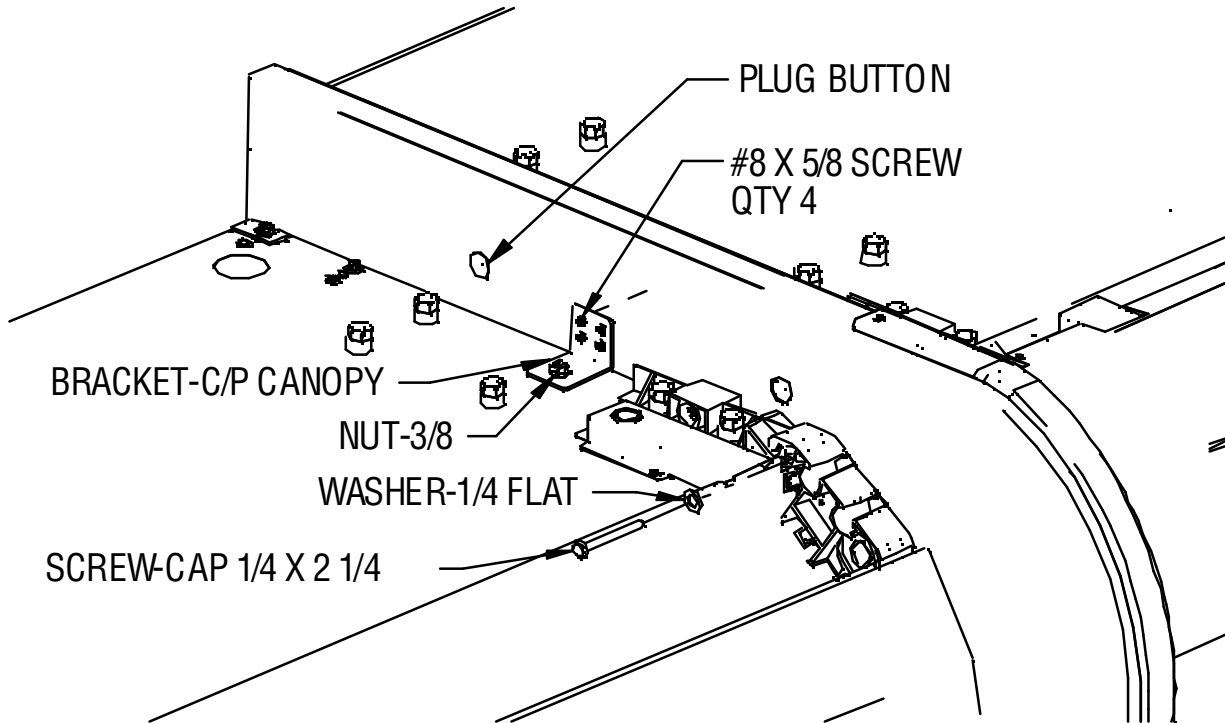
**MULTI DECK (DOOR)
DIFFERENT CASE PARTITIONS
CONTINUED**

Refer to detail views



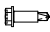
DIFFERENT CASE PARTITIONS MULTI-DECK (REAR-LOAD & DOOR)
ALTERNATIVE CANOPY APPLICATIONS
CONTINUED


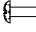
Refer to detail views





ACRYLIC PARTITION HARDWARE

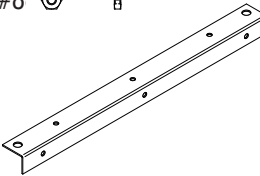
Description	Multi Deck Qty/Each	Convertible Qty/Each
PARTITION-ACRYLIC	1	1
BRACKET-CANOPY	1	1
BRACKET-RETURN AIR GRILL	N/A	1
SCREW SM #8 x 5/8 HEX	3	4
SCREW MACHINE #8 x 1/2 PHILL	3	4
LOCK WASHER-#8 EXT TOOTH	3	4
NUT-#8 MACHINE HEX	3	4

Screw-Sheet Metal #8 x 5/8  

Screw-Machine #8 x 1/2 Phill  

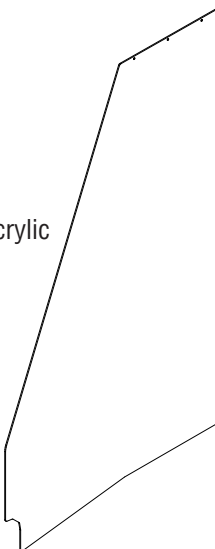
Lockwasher-Ext Tooth #8  

Nut Machine Hex-#8  

Bracket-Canopy Multideck 

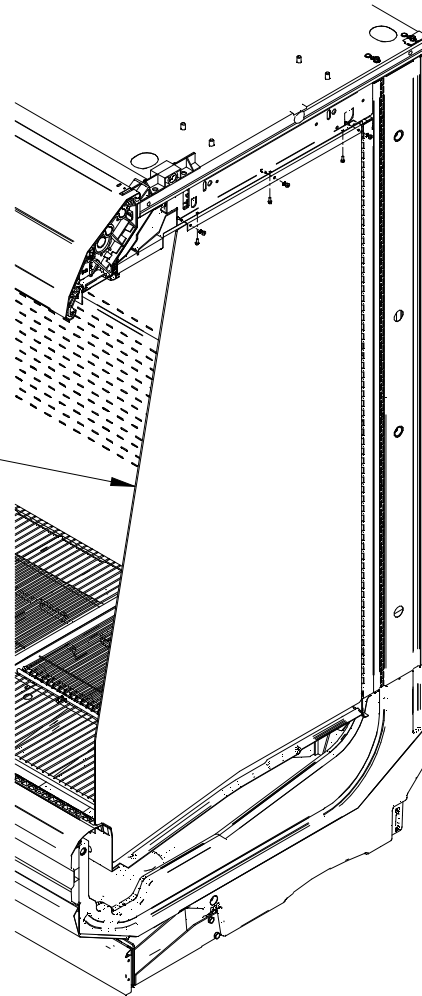
Bracket-Canopy Convertible 

Bracket-Return Air Grill 

Partition-Acrylic 

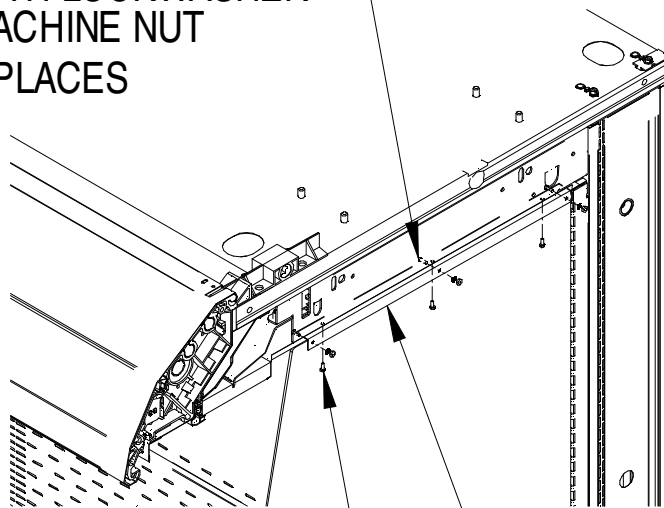
**MULTI-DECK
ACRYLIC PARTITIONS**
Refer to detail views

ACRYLIC PARTITION
TO BE MOUNTED
BETWEEN TWO
CASES ATTACH
BRACKET TO ONLY
ONE CASE



#8 X 1/2 MACHINE SCREW
#8 EXT TOOTH LOCKWASHER
& #8 MACHINE NUT
3 PLACES

3



1 BRACKET-CANOPY

2 #8 X 5/8 SCREW
3 PLACES

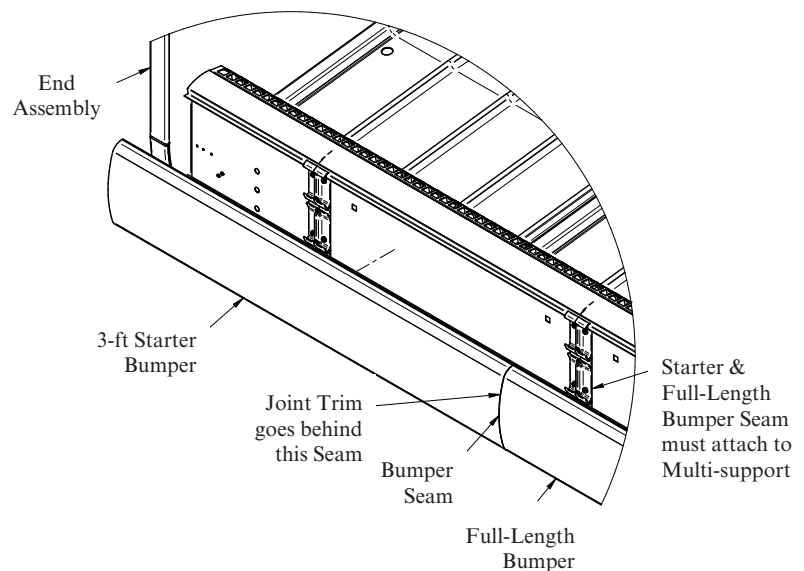
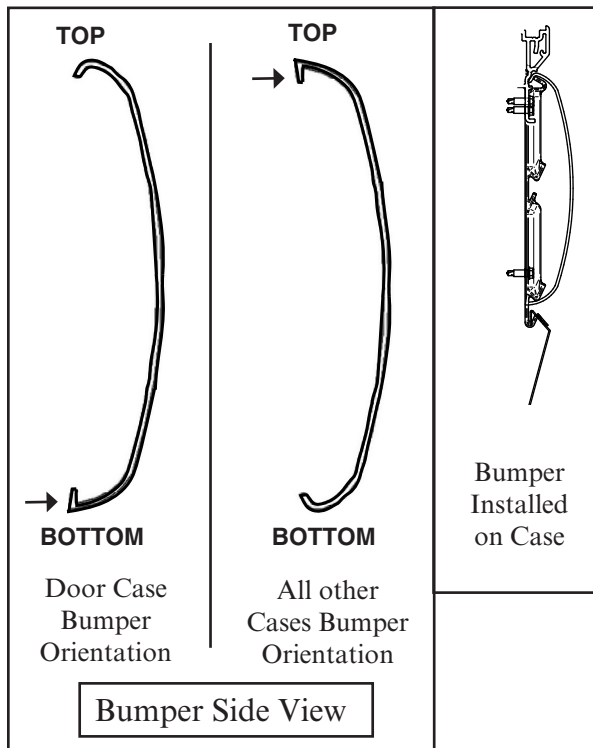
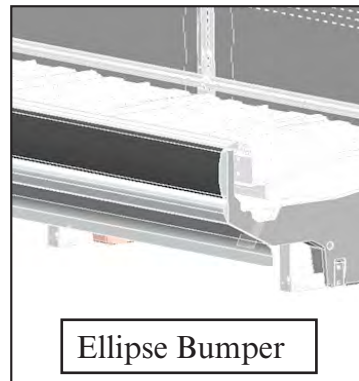
INSTALLING BUMPERS

1. Bumpers are packed out with the case and snap onto the bumper retainer. Gaskets are factory installed in the bumper retainers to provide support for the bumpers. Do not remove the gaskets.
2. Bumper joint inserts are provided with the case to disguise joints for a lineup of cases.
3. Start at the left end of the lineup. Install 3ft starter bumper first. Refer to bumper side view illustration to ensure the bumper is orientated correctly. Place top of bumper over bumper retainer, then snap bottom of bumper into place at bottom of retainer. Position internal joint trim between the starter bumper and full-length bumper.

4. Continue installing bumper(s) until the lineup is complete. The last piece of bumper will need to be cut so that it is flush with the right end cap. Use a fine tooth saw to cut the bumper vertically at a 90° angle.

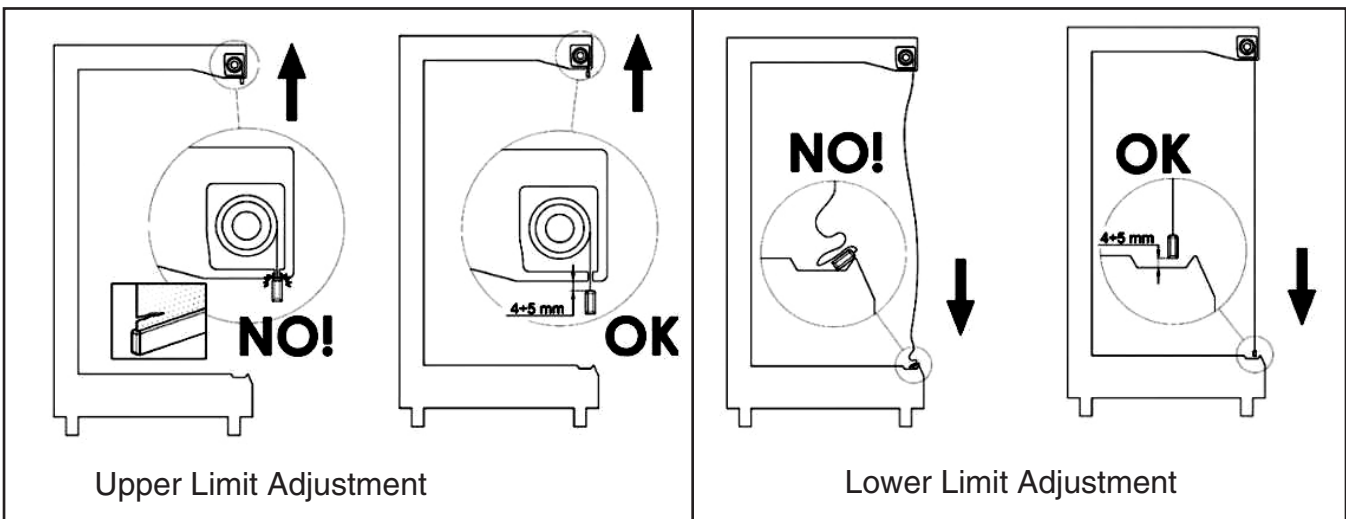
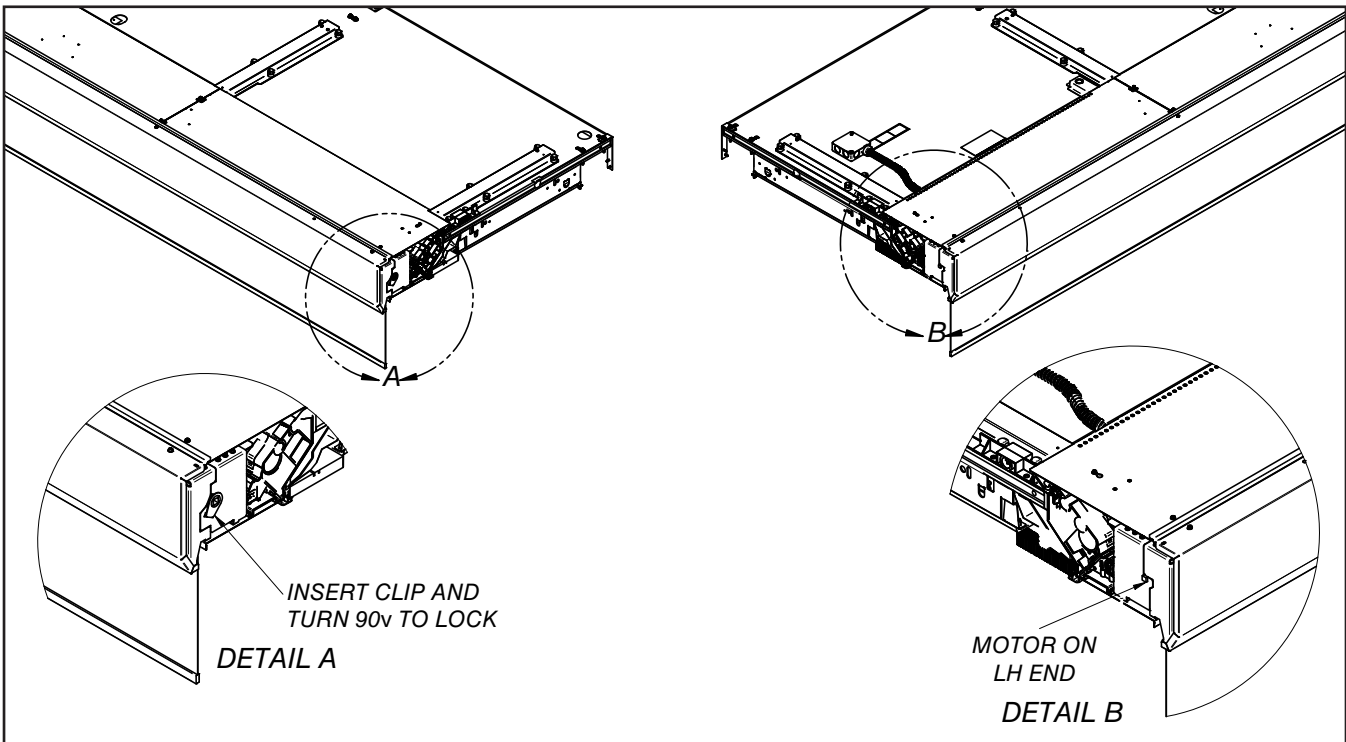
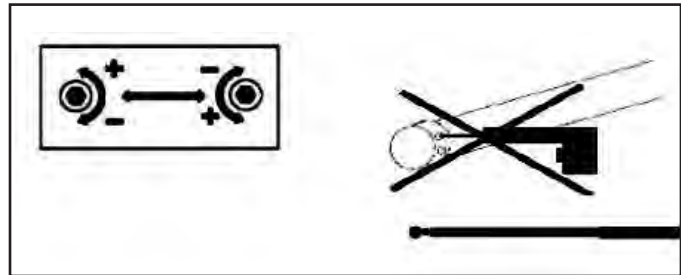
5. Ensure joint trim is positioned behind bumper at all joints to close any gaps in the lineup. Remove protective film from bumper once installation is complete.

NOTE  Bumpers come in two styles — **Ellipse and Faceted.**





MOTORIZED NIGHT CURTAINS

The position of the night curtains can be adjusted to go down part of the way, or all the way down. Use adjustment tool provided to set the upper and lower travel limits. “+” direction increases travel and “-” decreases travel. (Do not use a power drill to adjust travel limits.)




Top Adjuster (WHITE Limiter) - This limiter is the CLOSED curtain setpoint.

 Counter Clockwise = Lowers curtain towards air return vent.

 Clockwise = Raises curtain towards the top of case.

Bottom Adjuster (RED Limiter) - This limiter is the OPEN curtain setpoint.

 Counter Clockwise = Raises curtain towards the top of case.

 Clockwise = Lowers curtain towards air return vent.

Down adjustment of the night curtain:

1. Close curtain/DOWN in the Corelink command menu.
2. Curtain should be in a midway position on the case in the DOWN position.
3. Adjust WHITE limiter, top position looking at the curtain adjusters, counter-clockwise to lower curtain. Rotate counter-clockwise until the curtain will start to bump DOWN slowly. Continue to adjust until desired closed limit is reached.
4. Do not let curtain aluminum bottom trim touch the bumper or bottom of case. This will increase wear and cause damage across the surfaces at the bottom of the case.
5. Curtain DOWN is now set.

UP adjustment of the night curtain:

6. Open curtain/UP in the Corelink command menu.
7. Wait for curtain to stop. Curtain should stop before the desired maximum limit position. If curtain travels past the upper limit, a little more work will be required in order to set the upper limit.

Curtain stops midway (Ideal Situation)

8. Adjust RED limiter, bottom position looking at the curtain adjusters, counter-clockwise to raise curtain. When you start to rotate counter clockwise, eventually the curtain will start to bump UP slowly. Continue to adjust until desired closed limit is reached.

9. Retest OPEN/CLOSED and make adjustments as necessary.

10. END - Curtain stops above maximum desired height (Less Ideal Situation)

11. Close curtain/DOWN in the Corelink command menu.

12. With the curtain DOWN, rotate the RED adjuster clockwise 3 turns. This will lower the maximum height and land the curtain in the midway position on the case.

13. Open curtain/UP in the Corelink command menu.

14. Wait for curtain to stop. Hopefully the curtain will stop sooner than the desired maximum limit position. If curtain travels past the upper limit, repeat steps 9 – 11.

15. If curtain stops midway adjust RED limiter, bottom position looking at the curtain adjusters, counter clockwise to raise curtain. When you start to rotate counter clockwise eventually the curtain will start to bump UP slowly. Continue to adjust until desired closed limit is reached.

16. Retest OPEN/CLOSED and make adjustments as necessary.

1-26

NOTES:

ELECTRICAL / CONTROLLER / WATER / REFRIGERATION

⚠ DANGER

- » Due to risk of ignition resulting from incorrect parts or improper service, only Hussmann authorized personnel may service this equipment. Component parts shall be replaced only with like components. FAILURE TO USE AUTHORIZED TECHNICIANS COULD RESULT IN EXPLOSION, DEATH, INJURY AND PROPERTY DAMAGE.

ATTENTION

Merchandiser must operate for 24 hours before loading product!

Regularly check merchandiser temperatures.

Do not break the cold chain. Keep products in freezer before loading into merchandiser.

Medium temperature merchandisers are designed for loading ONLY pre-chilled products.

Low temperature merchandisers are designed for loading ONLY frozen products.

**⚠ WARNING**

— LOCK OUT / TAG OUT —

- » To avoid serious injury or death from electrical shock, always disconnect the electrical power at the breaker when servicing or replacing any electrical component. This includes, but is not limited to, such items as doors, lights, fans, heaters, and thermostats.

This equipment uses a flammable refrigerant. Installation, service and repair should be done only by qualified and trained technicians in accordance with this manual.

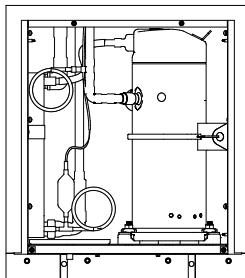
If a leak is detected, follow store safety procedures. It is the store's responsibility to have a written safety procedure in place. The safety procedure must comply with all applicable codes such as local fire department's codes.

At minimum, the following actions are required:

- Immediately evacuate all persons from the store, and contact the local fire department to advise them that a propane leak has occurred.
- Call Hussmann and/or a qualified service agent and inform them that a propane sensor has detected the presence of propane.
- Do not let any persons back into the store until the qualified service technician has arrived and that technician advises that it is safe to return to the store.
- The propane gas used in the unit has no odor. The lack of smell does not indicate a lack of escaped gas.
- A hand-held propane leak detector ("sniffer") should be used before any repair and/or maintenance is attempted. All repair parts must be identical models to the ones they are replacing.
- No open flames, cigarettes or other possible sources of ignition should be used inside the building where the units are located until the qualified service technician and/or local fire department determines that all propane has been cleared from the area and from the refrigeration systems.

ELECTRICAL

These self-contained merchandisers have water-cooled condensers. Each 4ft of case module has a dedicated refrigeration system. For multi-deck cases, the condensing unit is located behind interior back panels of the case.



These self-contained merchandisers are controlled by the CoreLink electronic control with power relays located inside the sealed box. Hussmann recommends a gateway for defrost coordination or setting the controller with the correct time on the clock, cases with open ends must have the same defrost times.

MERCHANDISER ELECTRICAL DATA

Refer to merchandiser serial plate or case data sheets for electrical information.

PLUG

The plug cord is 8ft long and is located on the right hand rear of the merchandiser. Disconnect power before servicing. Merchandisers require a dedicated electrical circuit with ground. 12AWG is the minimum sized acceptable wire for a 20-amp circuit. 10 AWG for a 30-amp circuit.

- The IC5BU6-W requires a dedicated 20-amp / 208V circuit with a grounded wall receptacle (NEMA L21-20R).
- The IC5BU8-W and IC5BU12-W require a dedicated 30-amp / 208V circuit with a grounded wall receptacle (NEMA L21-30R).
- Always use a dedicated circuit with the amperage stated on the unit.
- Plug into an outlet designed for the plug.
- Do not overload the circuit.
- Do not use long or thin extension cords. Never use adapters.
- If in doubt, call an electrician.

ALWAYS CHECK THE SERIAL PLATE FOR COMPONENT AMPERES



NEMA L21-20R
IC5BU6-W



NEMA L21-30R
IC5BU8-W
IC5BU12-W

⚠ CAUTION

» Risk of Electric Shock. If cord or plug becomes damaged, replace only with a cord and plug of the same type.

⚠ WARNING

» Merchandiser must be grounded.

» Do not remove the power supply cord ground.

CASE ELECTRONIC CONTROLLER**⚠ WARNING****IMPORTANT!**

Disconnect electrical power before beginning any service on electrical or electronic equipment. **DO NOT** work around live electrical circuits. Make sure the machine is switched off before working on electrical connections. All operations must be carried out by qualified personnel.

Check that the supply voltage is correct before connecting devices. Never use power that differs from that indicated in the manual. Power supplies other than those specified can seriously damage the refrigeration system or other components and parts.

Separate the cables of the analogue inputs from those of the digital inputs and the serial line cables from the power cables (resistive as well as inductive), in order to prevent malfunction due to electromagnetic interference.

All system components should be obtained from Hussmann to ensure system compatibility and reliability. Make connections as short as possible, and do not wind them around electrically connected parts. When connecting loads, follow connection diagrams carefully.

Never connect the secondary of the supply transformer to the earth.

The low voltage connections must have reinforced insulation.

When using the digital inputs of the Corelink Case Controller use another transformer in order to prevent the digital inputs from malfunctioning or being damaged.

To avoid causing static discharge, do not touch the electronic components on the boards.

DO NOT use the same secondary of the controller's power. Doing so can result in damage to case controller.

DO NOT exceed the maximum current capacity of the onboard controller relays. Always verify the capacity of the output used.

DO NOT plug in accessory devices that are not approved by Hussmann.

DO NOT exceed the maximum current capacity of the onboard controller relays.

Always verify the capacity of the output used.

DO NOT plug in accessory devices that are not approved by Hussmann.

GND is Common(-), not earth ground. Do not earth ground this device.

Permitted Use

- ▶ Food Display Merchandisers
- ▶ Coolers
- ▶ Self-Contained
- ▶ Remote Cases

Improper Use

- ▶ HVAC
- ▶ Unspecified Installation
- ▶ Deviation from established Legislation and Standards

Hussmann is not responsible for misuse or device. Hussmann is not held responsible for deviation from this manual and its intended use. If you have any questions, contact your Hussmann representative for details.

In case of failure or faulty operation, send the controller back to the distributor with a detailed description of the fault.

The controller should not be used for purposes different from those described in this manual. It cannot be used as a safety device.

CASE ELECTRONIC CONTROLLER

Insight self-contained R-290 cases are controlled by a CoreLink Electronic Controller, for refrigeration and defrost control and control of lights and fans. The controller is factory programmed with the required parameters to safely operate the merchandiser and maintain required product temperature. There is no need to make adjustments to the controller; however, it is recommended that the program be checked at startup. Refer to the display case data sheet for discharge air temperature, setpoint, defrost cycle and other information.



Control Operation

The case temperature is controlled by cycling the compressor ON and OFF based on the discharge air temperature. The case is divided into modular control sections: 6 ft and 8 ft cases have 2 control sections, 8 ft and 12 ft cases have 3 control sections. The discharge air temperature sensor is located above the honeycomb at the center of each control section. Compressors are cycled based on its own sensor in 2 control temperature. The second compressor has a 5-second delay at each startup to prevent excessive startup current.

The discharge air temperature is set for 29°F for dairy and deli. The discharge air temperature may be modified for specific product temperatures. There are two methods for accessing CoreLink:

The wireless connection kit directly at the Corelink hosted by Web UI on a connected smart device, or users can use Building Automated System (BAS) to change parameters from a single, central location. For explanation of wireless connection at the case, consult the CoreLink user manual under Web User Interface Section.

NOTE: Individual cases may be designed to run at a specific temperature setting and may not perform well at lower or higher settings, depending on such things as condenser water temperature, ambient conditions, etc.

Defrost is time-initiated, and is programmed with the correct number of defrosts per day and the correct termination. IC5BU-W cases are time terminated. The start time for defrost must be programmed using BAS.

Additional Safeties

CoreLink incorporates additional safeties to protect the case from critical failures in an MDS installation. These safeties may, or may not be installed, depending on case model.

Following safeties protects the compressors in the event of water system failure or any other blockages in the heat exchanger.

Some or all of the safeties are enabled depending on the case model.

Compressor Discharge Temperature Safety

The controller will alarm and disable the compressor output until the temperature falls below threshold.

Compressor Pressure Safety Switch

The controller will disable compressor output when the pressure safety switch is activated. Compressor will resume operation when the safety switch is deactivated.

Compressor Run-time Safeties

Additional run-time safeties are incorporated to protect the compressor and MDS products.

HACCP (Hazard Analysis and Critical Control Points) Temperature Sensor

Controller has input for HACCP temperature reading to be reported out to system managers. No control logic is active on this sensor.

Night Curtain

In the cases with motorized night curtain, output from CoreLink sends a signal to the motor to open/close the night curtains. This can be activated using a command at the controller or from a schedule in BAS system.

Available Expansion Modules
HSVD20 - Dual Valve Driver

Used for additional IO for Micro-Distributed Setups.

Application

The application will have the option to support up to three separate zones. To maintain case temperature, the application will use discharge air temperatures and safeties to manage cold operations.

Internal Web Server

The CoreLink case controller features a friendly user interface that can be accessed by web browser.

This Web UI can be accessed by in store network via windows computer or with a wireless link device that can be viewed by technician through smart devices.

Data Logging

The case control application has internal logging for each sensor along with critical operation data. Data is available for local download.

- 2-minute intervals
- 14-day capacity
- Advanced analytics; web user interface
- CSV format with 15 critical data points

Onboard data logging allows user to review performance data from the past week. User can see Min/Max/Average data along with saving data sets and importing data sets for view.

Factory Restore

The CoreLink application has a configuration file with the complete and optimized default case settings.

Anytime a user wants to default to factory settings they can simply access the user interface and force a factory reset.

Save / Load Feature

The CoreLink Case Controller is setup from the factory with a specific product configuration when a customer purchases a display case.

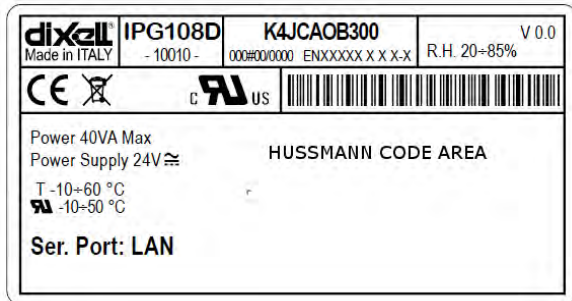
This specific configuration is hardcoded into the controller and is the factory default file. Also included are three user presets that a user can save or load custom configuration settings. These settings allow customers to make small tweaks in the field that can improve performance or target temperatures.

Standalone Operation

Controller is configured from the factory to run as a standalone controller. Field network integrations are done to provide additional capabilities to the controller. In case of network failure of BAS managing additional control functions, controller will default to its standalone settings and regulate display case until network connection is restored.

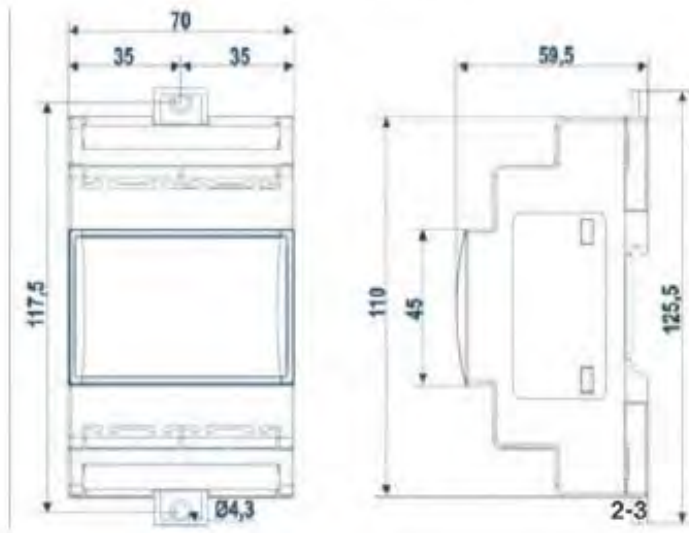
In case of network failure to building automation system managing case setpoints, the controller will default to program settings in internal memory and continue to regulate display case until network connection is restored.

Bios Version: 2017011600
 Web UI Version: 1.3.0
 Application Version: 2.0.0



Controller Label

4 DIN Devices



LED Indicators

Programming Sequence USB Flash Drive

Yellow Status LED	Time
Flashing	10 secs
Illuminated Solid ON	2 min 10 secs
Flashing	25 secs
Dim	10 secs
Illuminated Solid ON	30 secs
Reboot	See Boot Sequence

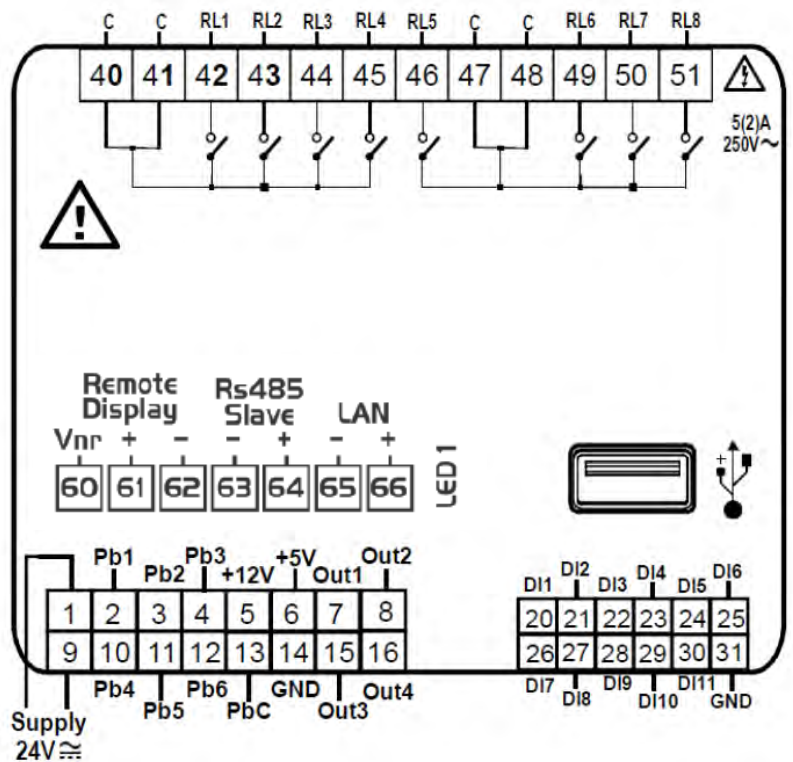
Boot Sequence

Yellow Status LED	Time
Off	5 secs
Dim	10 secs
Illuminated Solid ON	30 secs
Blinking / Normal Operation	Indefinitely




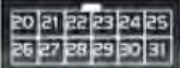
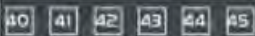
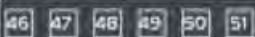
Status Yellow LED
 Power Indicator Green LED

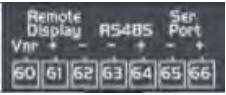
Corelink Case Controller IO



Digital Inputs

Connector	Description
	Connector for 24Vac/dc power supply Analogue inputs (Pb1 - Pb6), Pbc Additional Power (+5Vdc, +12Vdc, GND) Analogue outputs (Out1 - Out4, GND)
	24Vac/dc digital inputs (DI1 - DI11, GND) Note: Not a dry contact switch, power supply 24Vac or 24Vdc required to activate switch If using 24Vdc, pin 31 is GND
	Network Connector Hussmann Controller Display, maximum 1 terminal per Corelink RS485 Slave connector Serial port (LAN or RS485)
	USB port for downloads (BIOS, application, configuration files, remote display applications network configurations, website) and uploads (log files) Connection with the computer via a USB-ETHERNET converter Connection with wireless connection kit
	Digital relay outputs 4 NO relays, 2 common Note: Pin 40,41 common to pins 42,43,44,45
	Digital relay outputs 4 NO relays, 2 common Note: Pin 47,48 common to pins 46,49,50,51

Input No.	Type of Input	Description
		
Connector for 24Vac/dc power supply		
Analogue inputs (Pb1 - Pb6), Pbc)		
Additional Power (+5Vdc, +12Vdc, GND)		
Analogue outputs (Out1 - Out4, GND)		
1	Supply	Reference "-" /GND (24Vac or 24Vdc)
2	Pb1	Config analog input (NTC, PTC, 0 - 20mA, 4 - 20mA, 0 - 10V, 0 - 1V, 0 - 5V, DI, CPC, CPC High)
3	Pb2	Config analog input (NTC, PTC, 0 - 20mA, 4 - 20mA, 0 - 10V, 0 - 1V, 0 - 5V, DI, CPC, CPC High)
4	Pb3	Config analog input (NTC, PTC, 0 - 20mA, 4 - 20mA, 0 - 10V, 0 - 1V, 0 - 5V, DI, CPC, CPC High)
5	(+12V)	Additional power +12Vdc
6	(+5V)	Additional power +5Vdc
7	Out1	Analogue output (0 - 10V, 4 - 20mA, Relay)
8	Out2	Analogue output (0 - 10V, 4 - 20mA, Relay)
9	Supply	Reference "+" power supply (24Vac or 24Vdc)
10	Pb4	Config analog input (NTC, PTC, 0 - 20mA, 4 - 20mA, 0 - 10V, 0 - 1V, 0 - 5V, DI, CPC, CPC High)
11	Pb5	Config analog input (NTC, PTC, 0 - 20mA, 4 - 20mA, 0 - 10V, 0 - 1V, 0 - 5V, DI, CPC, CPC High)
12	Pb6	Config analog input (NTC, PTC, 0 - 20mA, 4 - 20mA, 0 - 10V, 0 - 1V, 0 - 5V, DI, CPC, CPC High)
13	PbC	Common analogue inputs (NTC, PTC, DI, CPC, CPC High)
14	GND(-)	Additional power reference 5Vdc and 12Vdc, analogue inputs (0 - 20mA, 4 - 20mA, 0 - 10V, 0 - 1V, 0 - 5V), analogue outputs. Note: Pressure sensors GND reference terminate
15	Out3	Analogue output (0 - 10V, 4 - 20mA, Relay)
16	Out4	Analogue output (0 - 10V, 4 - 20mA, Relay)
		
24Vac/dc digital inputs (DI1 - DI11, GND)		
Note: Not a dry contact switch, power supply 24Vac or 24Vdc required to activate switch		
If using 24Vdc, pin 31 is GND		
20	DI1	Digital input 24Vac/dc
21	DI2	Digital input 24Vac/dc
22	DI3	Digital input 24Vac/dc
23	DI4	Digital input 24Vac/dc
24	DI5	Digital input 24Vac/dc
25	DI6	Digital input 24Vac/dc
26	DI7	Digital input 24Vac/dc
27	DI8	Digital input 24Vac/dc
28	DI9	Digital input 24Vac/dc
29	DI10	Digital input 24Vac/dc
30	DI11	Digital input 24Vac/dc
31	GND(-)	Reference "-" for digital inputs from 1 to 11 (Note: Dry Contacts N/A, Source Required)
		
Digital relay outputs		
4 NO relays, 2 common		
Note: Pin 40,41 common to pins 42,43,44,45		
40	C	Common relays 1,2,3 and 4 (MAX 10A)
41	C	Common relays 1,2,3 and 4 (MAX 10A)
42	RL1	Relay normally open contact
43	RL2	Relay normally open contact
44	RL3	Relay normally open contact
45	RL4	Relay normally open contact
		
Digital relay outputs		
4 NO relays, 2 common		
Note: Pin 47,48 common to pins 46,49,50,51		
46	RL5	Relay normally open contact
47	C	Common relays 1,2,3 and 4 (MAX 10A)
48	C	Common relays 1,2,3 and 4 (MAX 10A)
49	RL6	Relay normally open contact
50	RL7	Relay normally open contact
51	RL8	Relay normally open contact

		Network Connector Hussmann Controller Display, maximum 1 terminal per Corelink RS485 Slave connector Serial port (LAN or RS485)
60	Remote Display	Connection for Hussmann Case Display remote terminal (Vnr)
61	Remote Display	Connection for Hussmann Case Display remote terminal (+)
62	Remote Display	Connection for Hussmann Case Display remote terminal (-)
63	RS485 Slave	RS485 Slave connection (-)
64	RS485 Slave	RS485 Slave connection (+)
65	LAN	LAN Connection (-)
66	LAN	LAN Connection (+)

First Power

The CoreLink case controller requires roughly 45 seconds to boot before any regulation will begin. At the end of the boot cycle you will probably notice the case lights will illuminate and cases equipped with night curtains will open to the default position.

Micro-Distributed Operation

The zones are controlled by a combination of Air Discharge sensors. These sensors are used to regulate refrigeration around Setpoint + Deadband. The average of those sensors will call compressors ON/OFF together. Additional time delays are incorporate to stage compressors.

Application

All parameters are accessible from the controllers website or BAS system. To review settings or make adjustments please refer to the connection methods listed in this manual.

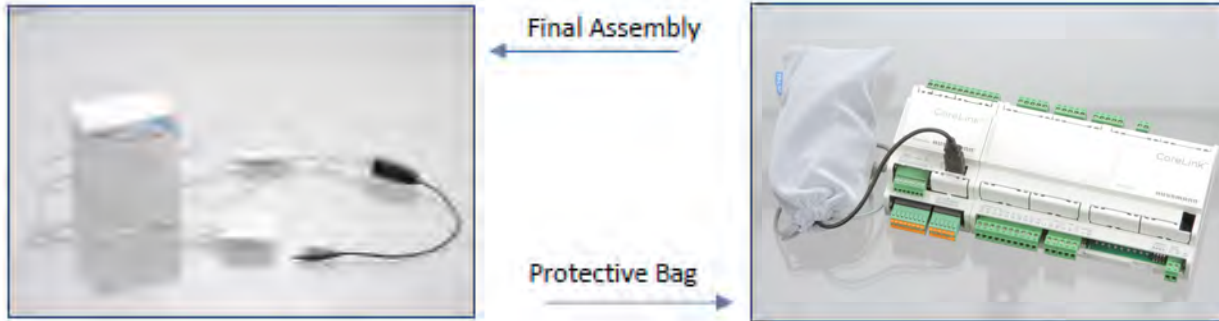
NO display is provided at the case unless opt.

Refrigeration

Users can find typical settings in the refrigeration menu of website. Case temp can be adjusted from here.

Defrost

CoreLink will manage defrost per its own defrost schedule or from external source such as BAS system for defrost coordination. Users can find typical settings in the defrost menu of website.



Connecting Device

1. Locate USB port at the case and connect the USB cable provided in the kit to the CoreLink controller.
 Note: Some cases require connection directly to the CoreLink controller and others might provide a dedicated remote mounted USB port or cable accessible from the top of the case.
2. After connecting the device allow time for the wireless router to establish connection with the case controller, about 30 seconds. The solid GREEN LED indicates a good connection.

LED Status

Solid – The router is connected to the case controller

Blinking – Router is disconnected from case controller

Note – LED might not be visible with the protective bag. If the device cannot be connected following through the next steps, rechecking the connection and ensuring the LED is turned on would be a first diagnostic step.



3. Using any of following devices, establish wireless connection to this CoreLink Wireless connection device
 - PC
 - Mobile devices
 - Tablets
 Note – CoreLink UI is a browser based UI and can be supported on any device.
4. Select the wireless device in the network menu to Connect.
 - a. Router Device Name: **HSM_CORELINK_AP**
 - b. Router Password: **HusmannCL1234**
 - c. After successful connection proceed to next step...
 Note: SSID and password are case-sensitive. Refer device manual if needed assistance with establishing wire

- 5. Open Browser on the connected device.

Note: CoreLink UI is supported on all the browsers and it has been tested with the following versions. Users can try with other browsers at their own discretion.

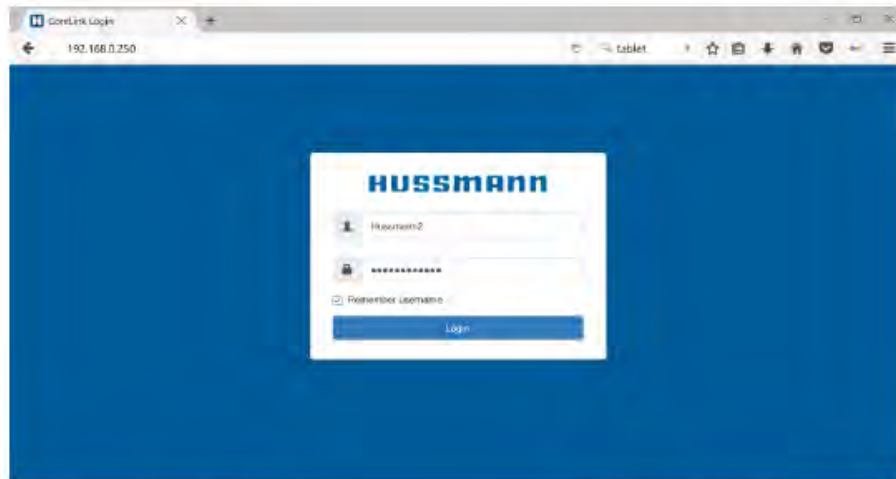
- Google Chrome
- Mozilla Firefox
- Safari
- Internet Explorer 10 or higher
- Microsoft Edge



- 6. Enter the following IP address into the browser Address Bar.



- 7. CoreLink IP address is defaulted to 192.168.0.250. If the store installation is setup to use Ethernet port for additional communications, this address could be changed to a different address. Refer to store refrigeration network to identify the IP address. This Wireless connectivity might not connect to the CoreLink if CoreLink default settings are changed to connect store Ethernet or other Ethernet network connections.

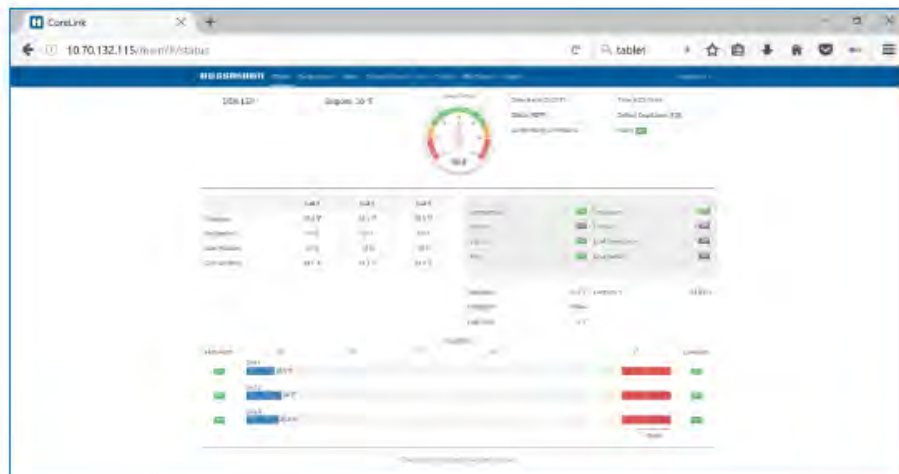


Level 1 Access – Store Level user

Level 2 Access – Technician

User Name: Hussmann1
Password: Hussmann

User Name: Hussmann2
Password: Corelink1234



CONTROLLER TROUBLE SHOOTING

Issue	Trouble shooting steps
Not all data is visible	Try clearing your browser's cache. If there is an update of CoreLink SW revision, sometimes there is a need to clear the browser cache to have the complete data available. This will be provided in the revision log for future changes. If the Web UI has been revised you may need to clear your browser's cache in order for the Web UI to work correctly and see new updates. Try looking in Web UI history settings.
Cannot connect to controller Web UI is not being loaded	<p>Check the following steps</p> <ol style="list-style-type: none"> 1. Check the green LED on the Wireless device. 2. Check CoreLink is powered on .If the user forces a controller to reboot, allow at least 1 minute for the controller to restart and establish connection with the Wi-Fi router. Users will be unable to connect to the case controller until the controller is fully rebooted. 3. Ensure your device is connected to the Wireless settings provided above 4. Check signal strength - Signal Strength Low – Low signal strength can be caused by physical obstructions such as walls or objects. If you are receiving low signal strength, try to reposition yourself or the device to improve signal strength. <p>If ongoing problems continue, please contact your local IT personal or Hussmann Help Center</p>
Unable to login	User credentials are case-sensitive. If the controller continues to reject your user credentials, please check the spacing or Caps Lock button latched on. Remember previous point if controller is not fully rebooted.

Note – CoreLink Wireless UI Connectivity device Reset – Users should never reset the provided wireless device. Doing so will revert settings back to factory default and not allow connection to the CoreLink controller. If this happens please contact your local IT personal or Hussmann Help Center for correction details.

Before Beginning Any Service or Repair:

Use a hand-held propane leak detector (“sniffer”) to ensure no propane is present in the immediate area, the inside of the display case and the inside of the refrigeration system. R-290 is an odorless refrigerant. Keep the area clear of all customers and non-essential or unauthorized personnel.

Verify that all repair parts are identical models to the ones they are replacing. Do not substitute parts such as motors, switches, relays, heaters, compressors, power supplies or solenoids. Failure to do so can result in an explosion, death, injury and property damage. Parts used on hydrocarbon cases must meet specific UL certification for non-incendive or non-sparking components. Use only Hussmann approved parts approved through the Hussmann Performance Parts Website. <https://parts.hussmann.com/>

Brazing must not begin before all propane has been cleared from the immediate area — the inside of the displays case and the inside of the refrigeration system.

⚠ WARNING

- » Only Hussmann or factory trained technicians should service or repair this R-290 (propane) equipment.
- » Failure to follow instructions can result in an explosion, death, injury and property damage.

If a leak is detected, follow store safety procedures. It is the store’s responsibility to have a written safety procedure in place. The safety procedure must comply with all applicable codes such as local fire department’s codes.

At minimum, the following actions are required:

- Immediately evacuate all persons from the store, and contact the local fire department to advise them that a propane leak has occurred.
- Call Hussmann and/or a qualified service agent and inform them that a propane sensor has detected the presence of propane.
- Do not let any persons back into the store until the qualified service technician has arrived and that technician advises that it is safe to return to the store.

- The propane gas used in the unit has no odor. The lack of smell does not indicate a lack of escaped gas.
- A hand-held propane leak detector (“sniffer”) should be used before any repair and/or maintenance is attempted. All repair parts must be identical models to the ones they are replacing.
- No open flames, cigarettes or other possible sources of ignition should be used inside the building where the units are located until the qualified service technician and/or local fire department determines that all propane has been cleared from the area and from the refrigeration systems.

REPLACING REFRIGERATION SYSTEM COMPONENTS

⚠ DANGER

- » Only Hussmann service technicians or technicians qualified to handle R-290 (propane) refrigerant should service or repair this R-290 (propane) equipment. Failure to follow instructions can result in an explosion, death, injury and property damage.

⚠ WARNING

- » Component parts shall be replaced with like components, and servicing shall be done by factory authorized service personnel only, so as to minimize the risk of possible ignition due to incorrect parts or improper service.

CHARGING

A calibrated scale with +/-2 gram accuracy must be used to charge the system. The charge amount is shown on the serial plate. Only R-290 grade refrigerant can be used. Standard propane does not meet the purity/moisture content of R-290, and therefore cannot be used to charge cases.

No gas charge adjustments are allowed. When connecting hoses between the refrigeration system, manifold gauges, and refrigerant cylinder, ensure that the connections are secure and there are no potential sources of ignition nearby. Ensure that contamination of different refrigerants does not occur when using charging equipment.

Use dedicated hoses to service R-290 (propane) refrigeration systems. Hoses or lines should be as short as possible to minimize the amount of refrigerant contained in them.

Ensure that the refrigeration system is properly grounded prior to charging the system with refrigerant, to avoid the potential for static build-up.

Extreme care must be taken not to over fill the refrigeration system. After charging, carefully disconnect the hoses, attempting to minimize the quantity of refrigerant released. Further leak check the service ports, hoses, refrigerant tanks. The service ports shall be checked for leaks using a hydrocarbon leak detector with a sensitivity of 3 grams/year (0.106 Oz/year) leak rate.

Thoroughly leak check the service ports. If no leak is present, use a pinch-off tool to close the ends of the service tubes before brazing them shut. If a Schrader valve is used on the compressor service tube, it must be removed and the previous steps followed in order to braze the service tube shut.



WATER - (For Condensers)

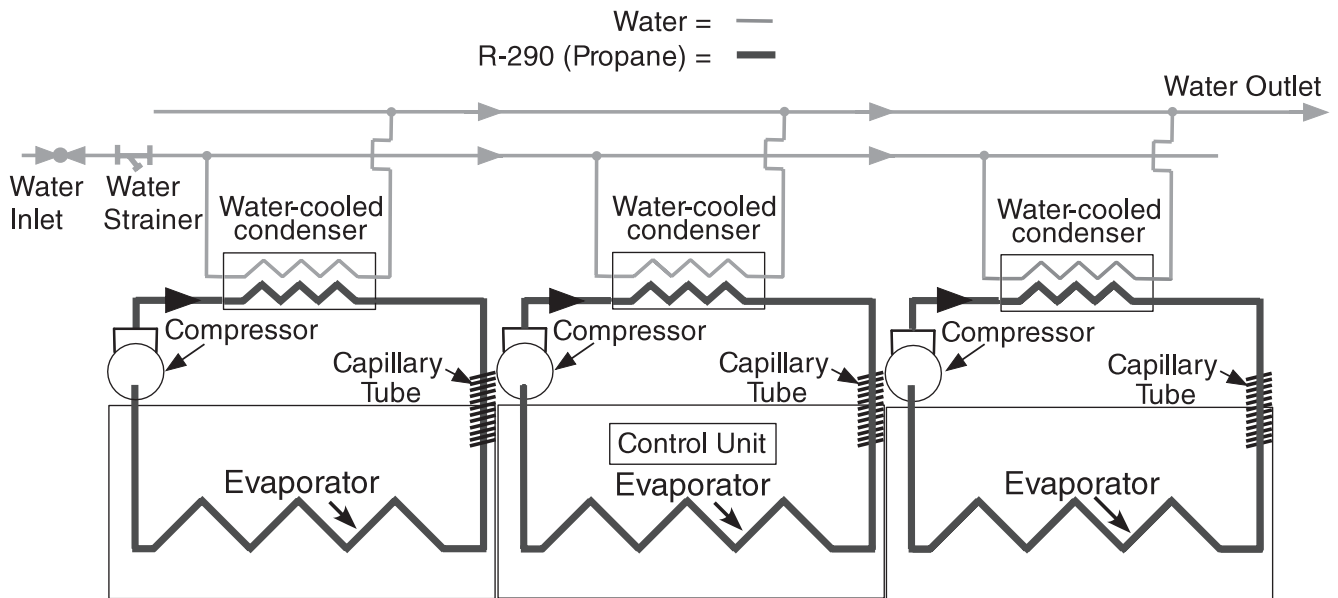
Water-cooled condensers are designed to operate with a water/propylene glycol solution, supplied at a temperature of 41°F to 118°F (5°C to 48°C). A minimum of 10 percent propylene glycol by weight is recommended. If water piping is run outdoors, 35 percent propylene glycol by weight will give burst protection, (not freeze protection), to approximately -40°F (-40°C). **Regardless of the amount of propylene glycol, it must be ensured that the water loop has adequate corrosion inhibitors.**

The inlet and outlet water connections are attached using a 3/4 inch. NPTF male hose adapter.

There are hand valves for system isolation located on the inlet and outlet water connections. The hand valves, hose adapter and their locations on the case are shown on the illustrations on the next page. Trapped air must be removed at high points of the water piping. Automatic air vent valves or manual valves may be used and should be located at high points in the piping by installing contractor.

The water flow requirements for each case are:

6ft:	4 GPM
8ft:	4 GPM
12ft:	6 GPM



Example: 12-foot modular IC5BU-W case comprised of three 4-foot sections

INHIBITED PROPYLENE GLYCOL SYSTEM REQUIREMENTS

Hussmann's laboratories have tested the concept, function, and reliability of inhibited propylene glycols for use as a secondary fluid for refrigerated systems in accordance with ASHRAE guidelines, UL and NSF standards.

The installation of a secondary fluid system must comply with the Safety Standard for Refrigeration Systems (ANSI/ASHRAE Standard 15), Refrigeration Piping Standard (ASME B31.5) and State and municipal building codes. Failure to follow requirements outlined in this document may result in corrosion of components.

Do NOT use Ethylene Glycol. Use of any secondary fluid other than inhibited propylene glycol is prohibited and voids the Hussmann limited warranty.

PIPING REQUIREMENTS

All field-installed materials that meet pressure and temperature ratings, material compatibility requirements and state and local building codes may be used.

Plastic

Any plastic piping used must be reliably proven, before installation, to meet all pressure, temperature and material compatibility requirements.

PLASTIC PIPING MUST BE RATED FOR HIGH TEMPERATURE (**HOT WATER**) APPLICATIONS. IF THE WATER STRAINER BECOMES CLOGGED, THE WATER COMING OUT OF THE UNIT COULD GET TOO HOT, CAUSING ORDINARY PVC PIPING TO MELT.

CAUTION

- » Plastic must be rated for hot water use! If a water strainer becomes clogged, the water outlet can be very hot, and this may cause plastic rated for only cold water to break.

Before using unproven plastic piping, check with the manufacturer to determine the suitability of the material for use with inhibited propylene glycol.

Copper

Copper pipe of M, K, or L grades can be used. **Warning:** Only flux materials formulated from water-soluble compounds that do not contain zinc or zinc compounds may be used for soft soldering. Copper to copper joints may be soft soldered or brazed. Soft solder must be used where the component manufacturer's installation instructions recommend.

Steel

Schedule 40 carbon steel pipe or stainless steel pipe (or tubing) is acceptable. Piping, valves and fittings can be made of ordinary steel or ductile iron but not gray steel. Do not use galvanized steel.

System Fluids

Only distilled or deionized water is approved by Hussmann. **Never mix fluids from different manufacturers. Use premixed fluid that is mixed with fully inhibited propylene glycol, not concentrated.** However, a small amount of concentrate should be kept on hand to allow for adjustment to the solution during start-up. If the mixing is to be done on site, use only distilled or de-ionized water. A refractometer, calibrated for fluids at room temperature, is used to measure dilution. Inhibited propylene glycol used in the system must be approved for use by the FDA.

Hussmann recommends using DOWFROST™ inhibited propylene glycol. Pre-diluted solutions (35% inhibited propylene glycol) of DOWFROST™ are available from Dow. The ingredients in DOWFROST™ have been approved by the FDA and are listed as chemically acceptable by USDA.

The Dow Chemical Company
Midland, MI 48674
1-800-447-4369
www.dow.com

Requirements on system fluid:

Pre-mixed 35% inhibited propylene glycol

Typical Fluid Properties

Solution Composition is 35% inhibited propylene glycol by weight

pH of Solution 8.0 – 10.0
Specific Gravity (at 60°F) 1.033
Viscosity (at 20°F) 14.2 cP
Boiling Point of Solution 217°F
Freezing Point of Solution 2°F
Refractive Index (at 72°F) 1.3733

System Balancing

Balancing may be required to provide adequate coolant flow to each circuit in order to maintain the required waterflow. Balancing is achieved through the setting of balance valves located throughout the system piping.

The installation contractor must consult and be familiar with the manufacturer's Material Safety Data Sheets (MSDS) before handling any secondary fluid. The MSDS contains proper disposal and safety methods.

PRE-INSTALLATION SYSTEM CLEANING

Dow recommends the new piping system be cleaned using a 1-2% solution of trisodium phosphate (TSP), or equivalent cleaner and distilled or deionized water to remove grease, mill scale, or other residues from construction.

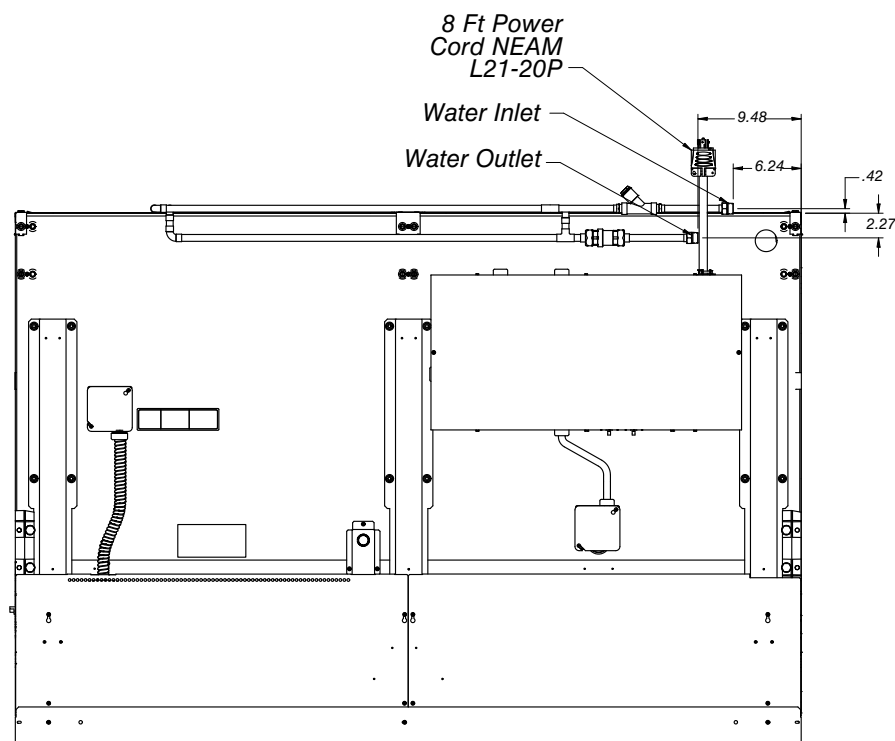
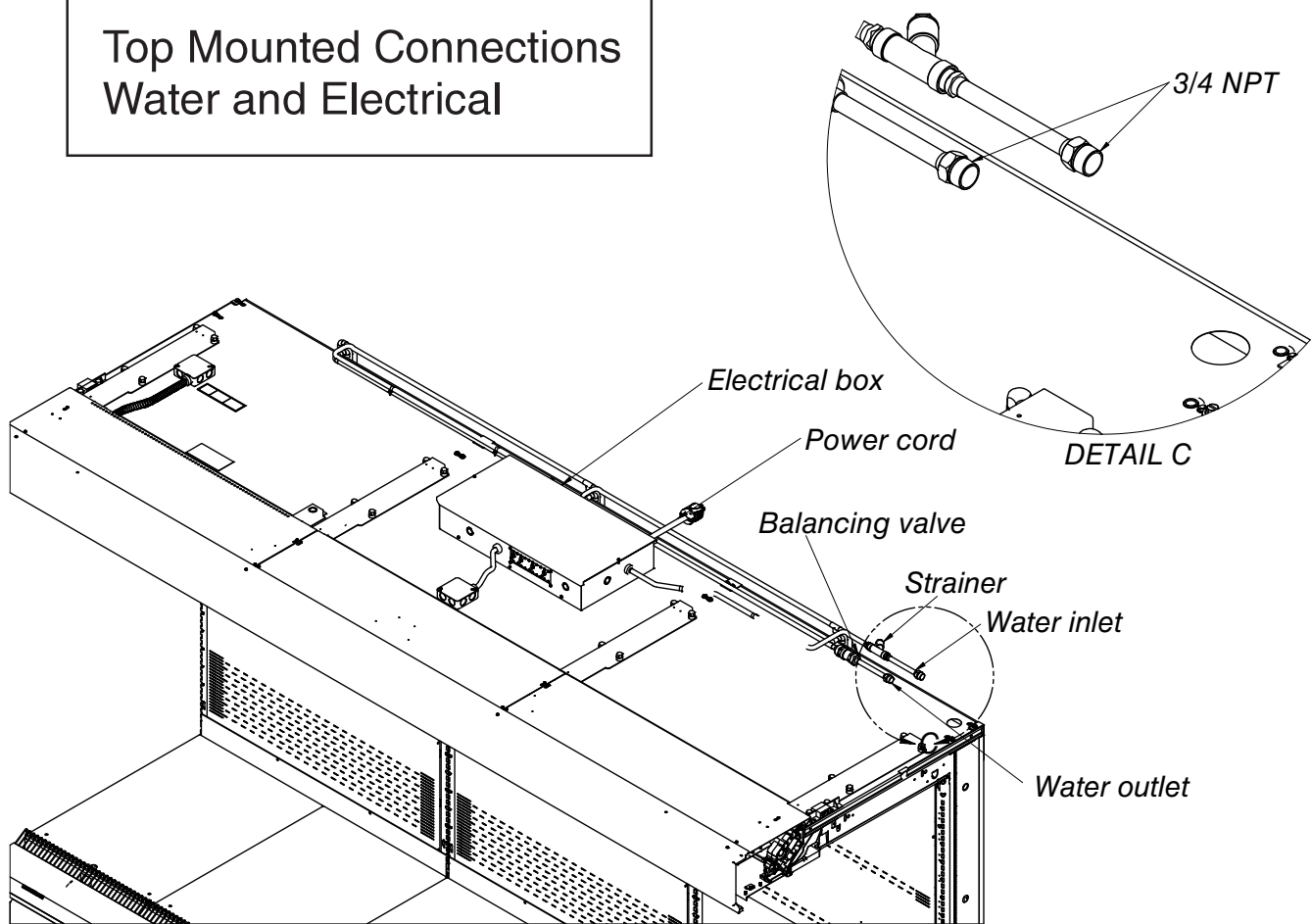
Repeat this process if necessary until the drained solution is clear and free from visible debris. The system should then be drained and flushed again using distilled or deionized water. Hussmann only recommends distilled or deionized water for system flushing with 2% TSP. Dry nitrogen can be used for the initial pressure test, (60 to 75 psi), hold for three hours.

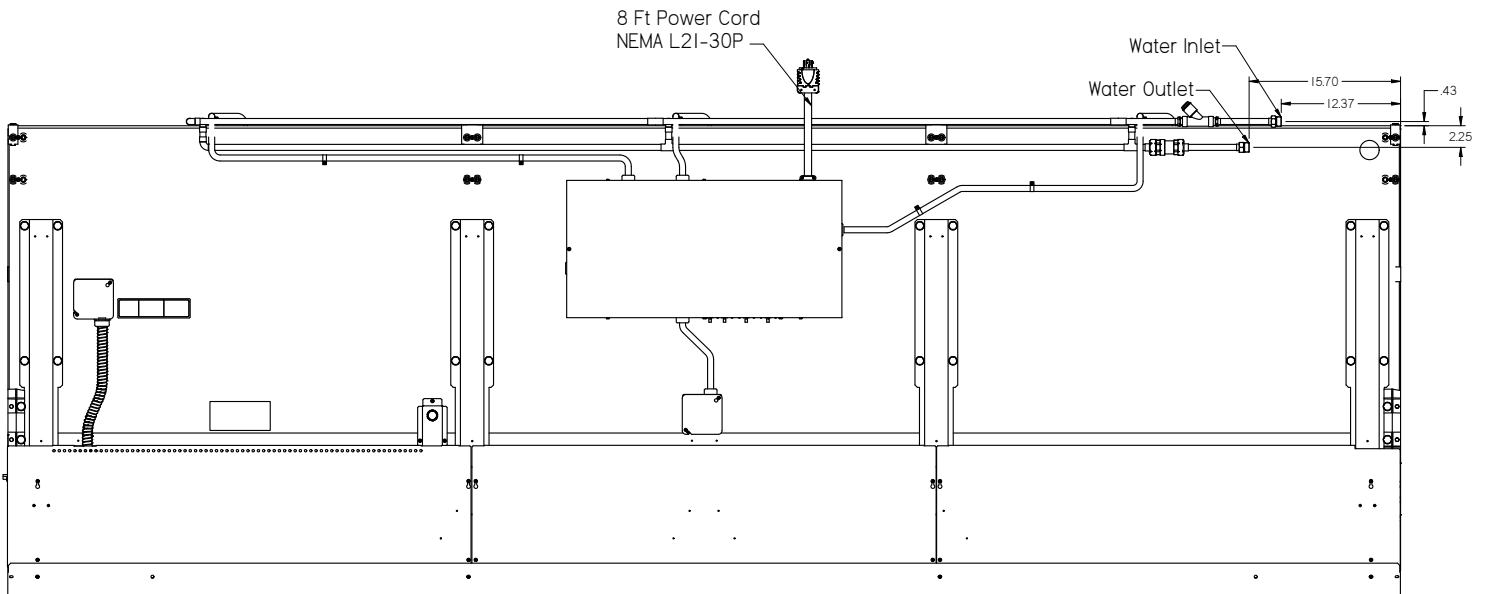
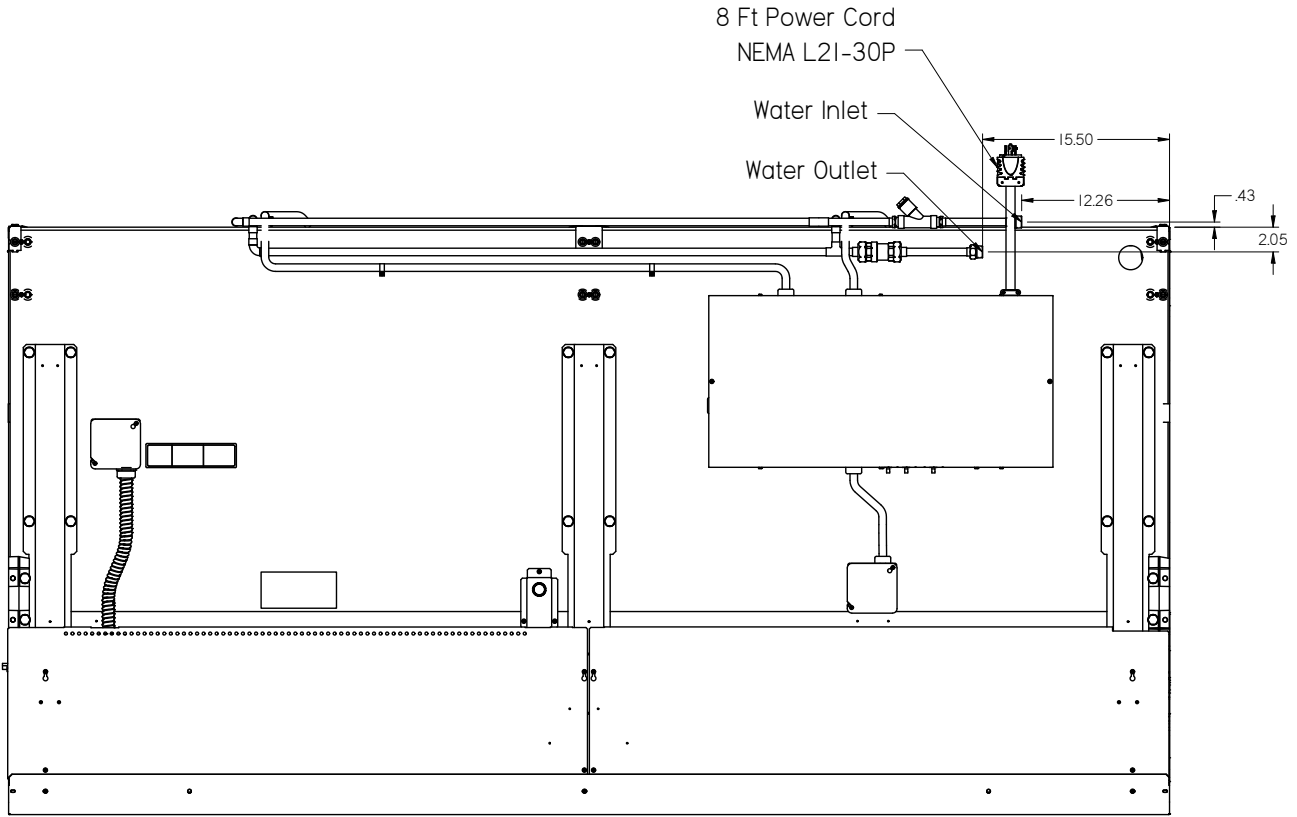
Hussmann only recommends distilled or deionized water for system flushing with 2% TSP. Dry nitrogen can be used for the initial pressure test, (60 to 75 psi), hold for three hours.

NOTICE

- » Use only distilled or de-ionized water for flushing with 2 percent tri-sodium phosphate (TSP). Use a pre-mixed inhibited propylene/glycol solution. If the mixing is to be done on site, use only distilled or de-ionized water. Do not use tap water.

Top Mounted Connections
Water and Electrical







⚠ DANGER

- » Risk of fire or explosion. R-290 (propane) refrigerant is flammable, and the refrigeration system should be serviced or repaired only by trained service personnel. Do NOT puncture refrigerant tubing.

REFRIGERATION

Each IC5BU-W self-contained case is equipped with its own condensing unit(s), one for every 4-foot module. The refrigeration system is sealed and factory charged. Thus, a 4-ft case has one condensing unit, an 8-ft case has two condensing units and a 12-ft case has three condensing units. Each case has one electronic controller.

IC5BU-W self contained merchandisers use R-290 (propane), refrigerant. All models have hermetic compressor(s). The systems employ capillary tubes for refrigerant flow control. If the capillary tube becomes plugged or damaged, replace the entire capillary tube. Refer to the case serial plate for refrigerant charge information. The following illustration shows the details of the refrigeration system.

⚠ WARNING

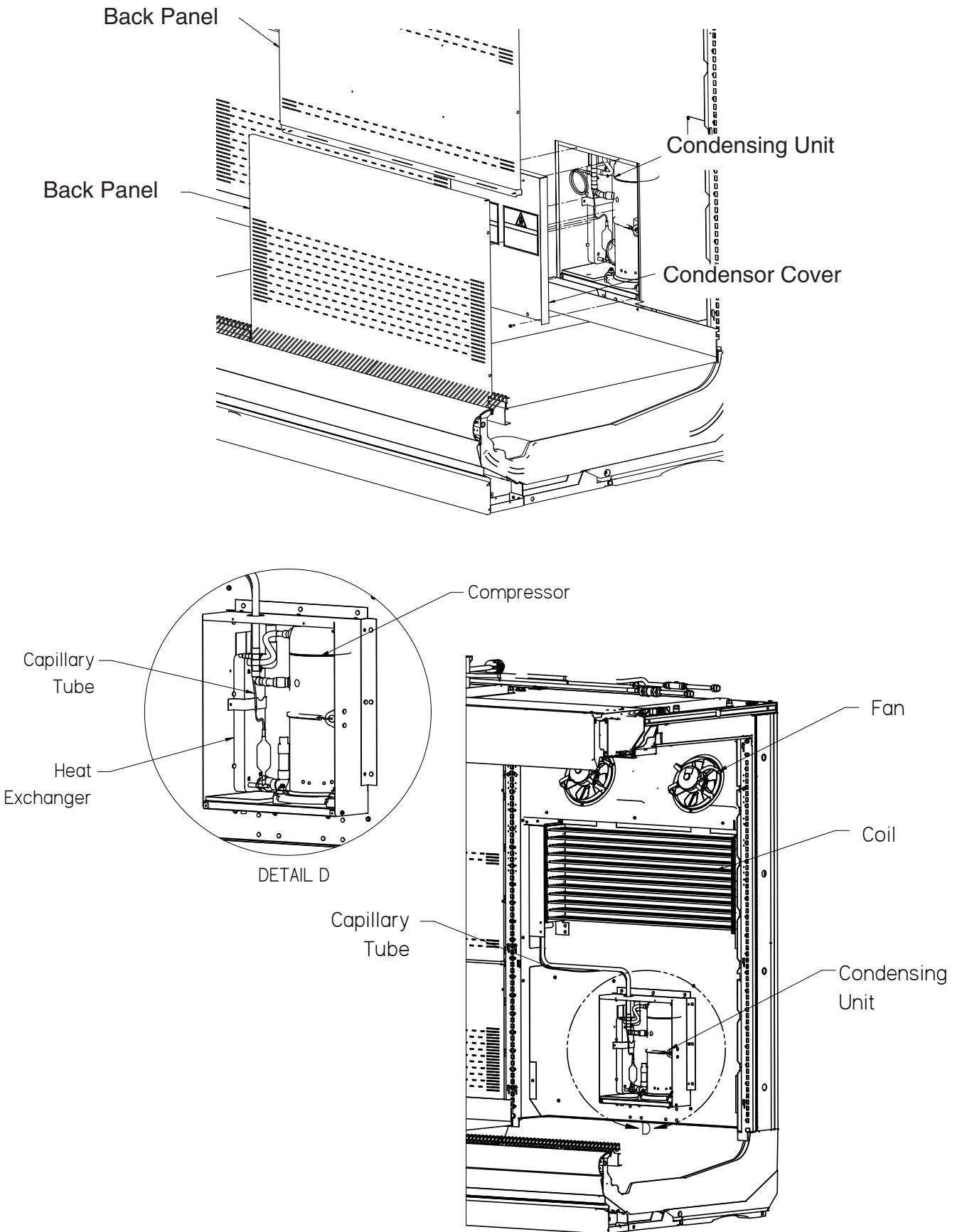
- » Attention trained service personnel: Mandatory safety service procedures must be followed when servicing the refrigeration system.

CONDENSING UNIT ACCESS

IC5BU-W condensing units are located behind the interior back panels of the case. Remove the metal covers(s) to gain access to the condensing unit(s). All the cases and condensing units' electrical connections are done at the factory. The illustration below shows the condensing unit and the metal enclosure. See location details on next Page.

⚠ WARNING

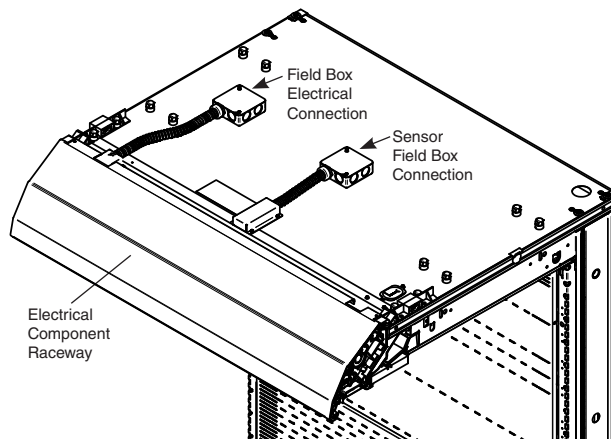
- » Opening condensing unit electrical box exposes personnel to electrical hazard and should only be performed by a qualified service technician.



IDENTIFICATION OF WIRING

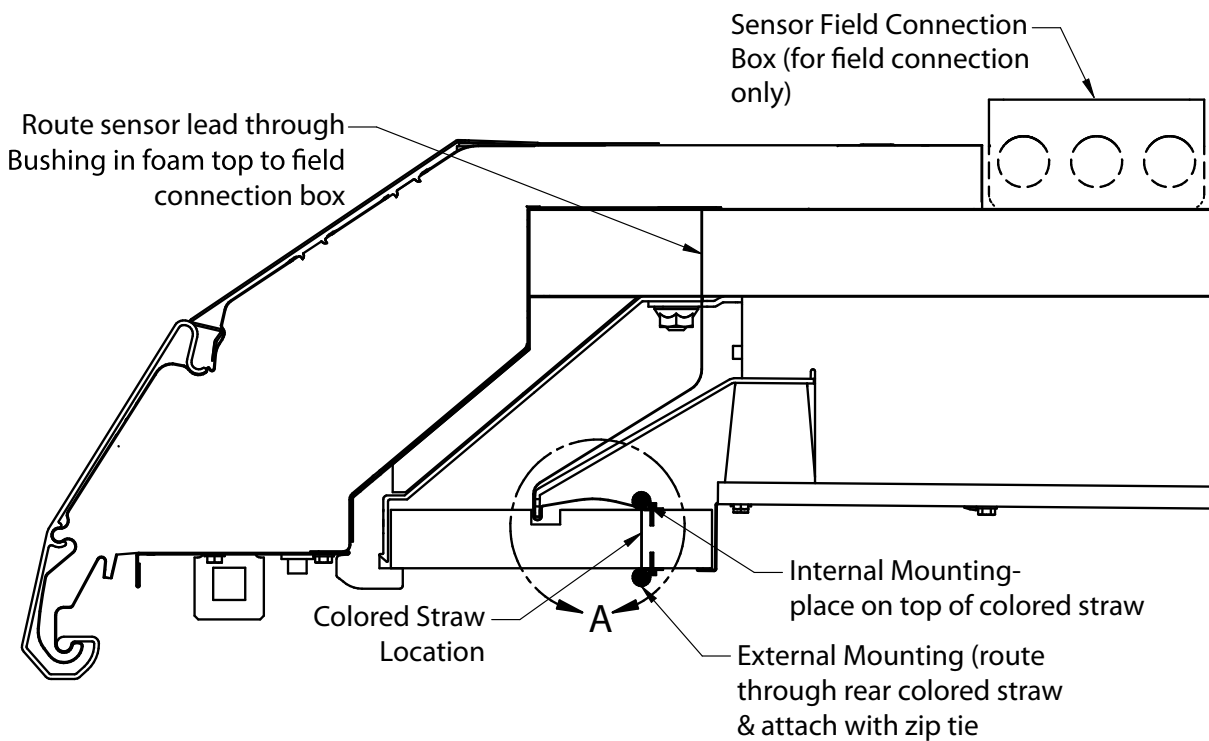
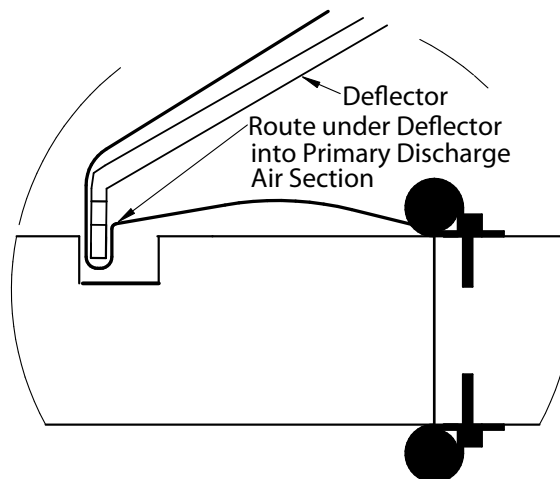
Leads for all electrical circuits are identified by colored plastic bands. These bands correspond to the *color code sticker* (shown below) located inside the merchandiser's wireway cover.

ALWAYS CHECK THE SERIAL PLATE FOR COMPONENT AMPERES.

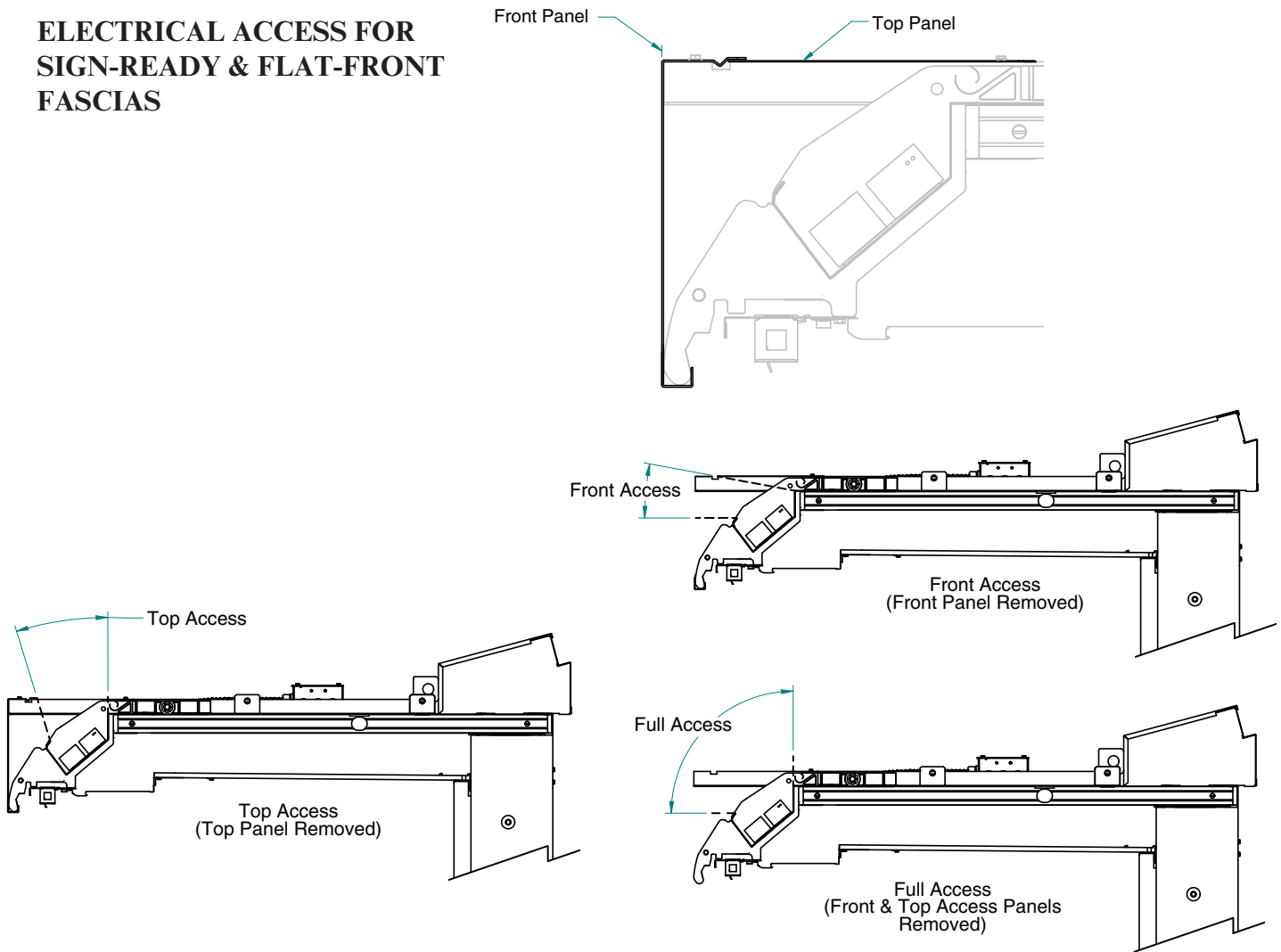


SENSOR LOCATION

Discharge air sensor is located in the case canopy by the honeycomb. An electrical box is shown at right for field installation of the sensor. (Field box may not be present if a sensor was not originally factory installed.)



**ELECTRICAL ACCESS FOR
SIGN-READY & FLAT-FRONT
FASCIAS**



WIRING COLOR CODE

Leads for all electrical circuits are identified by a colored plastic band: neutral wire for each circuit has either White insulation or a White plastic sleeve in addition to the color band.

PINK.....	REFRIG. THERMOSTAT LOW TEMP.	ORANGE OR	
LIGHT BLUE ...	REFRIG. THERMOSTAT NORM TEMP.	TAN	LIGHTS
DARK BLUE....	DEFROST TERM. THERMOSTAT	MAROON.....	RECEPTACLES
PURPLE.....	CONDENSATE HEATERS	YELLOW	DEFROST HEATERS 120V
BROWN	FAN MOTORS	RED	DEFROST HEATERS 208V
GREEN*	GROUND	*EITHER COLORED SLEEVE OR COLORED INSULATION	

**ELECTRICIAN NOTE: Use copper conductor wire only.
MERCHANTISER MUST BE GROUNDED**

THESE ARE MARKER COLORS, WIRES MAY VARY.

2-24

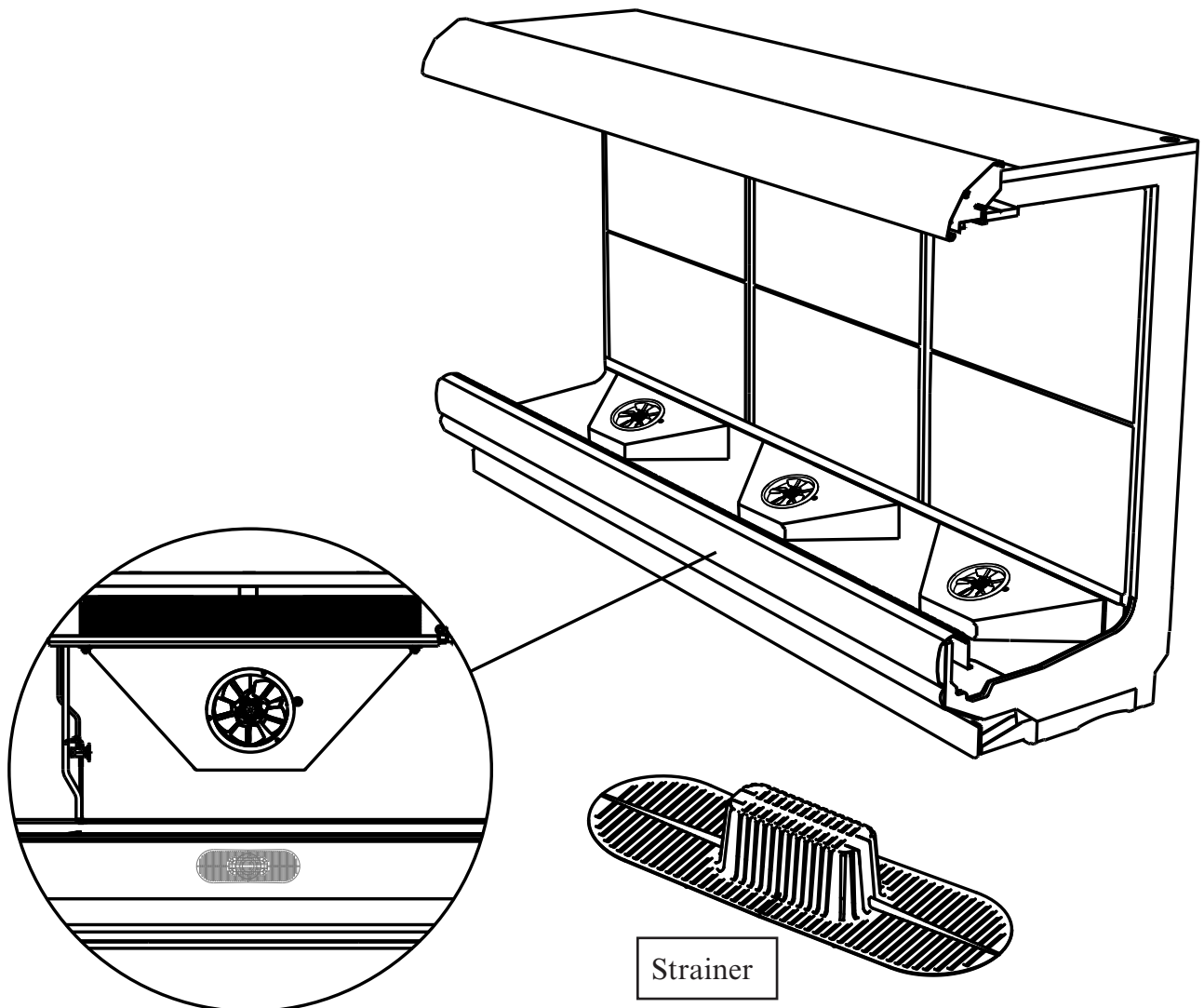
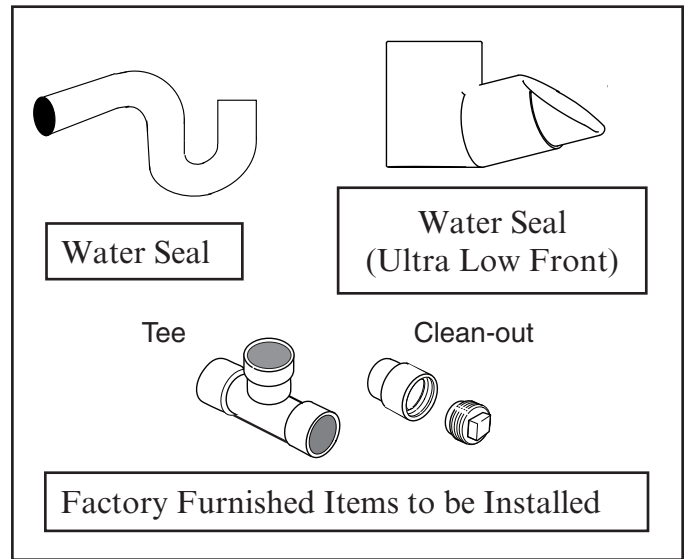
NOTES:

DRIP PIPING / FIT & FINISH / SPLASHGUARDS

WASTE OUTLET AND WATER SEAL

Insight merchandisers have one waste outlet located in the front center of the bottom or righthand side for 8 ft cases. Water seals are field installed with waste outlet to prevent air leakage and insect entrance into the case. Tees and clean-outs are supplied for each case.

A hat-shaped strainer is also shipped with the merchandiser. Place strainer over the waste outlet as shown below.



INSTALLING DRIP PIPING

Poorly or improperly installed drip pipes can seriously interfere with the merchandiser's operation and result in costly maintenance and product losses.

Optional drip pipe arrangements are shown on the next page. It is the installing contractor's responsibility to consult local agencies for local code requirements. Assemble the components using field-supplied PVC primer and glue according to the manufacturers direction.

Please follow the recommendations listed below when installing drip pipes to ensure proper installation.

1. When connecting drip piping, the "water seal" must be used as part of the drip piping to prevent air leakage or insect entrance. Never use two water seals in series in any one drip pipe. Double water seals in series will cause an air lock and prevent draining.

2. Pitch the drip piping in the direction of flow. **There should be a minimum pitch of ¼ in. per ft (20 mm per 1 m).**

3. Avoid long runs of drip piping. Long runs make it impossible to provide the pitch necessary for good drainage.

4. All connections must be watertight and sealed with the appropriate PVC or ABS cement.

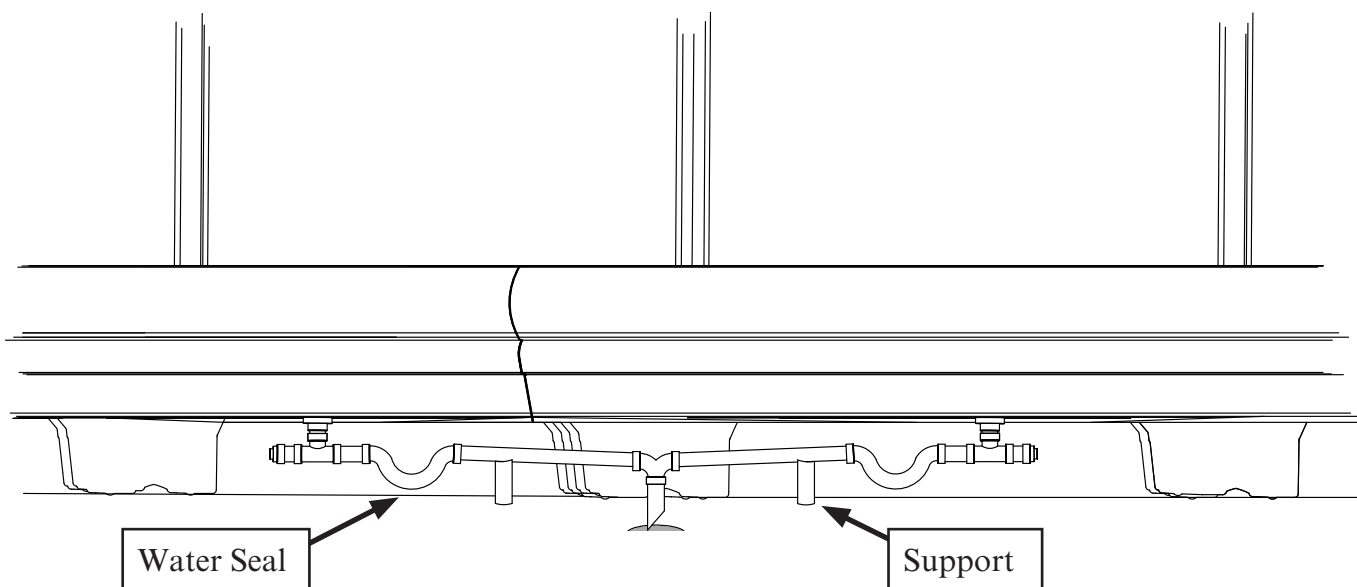


Never use drip piping smaller than the nominal diameter of the pipe or water seal supplied with the merchandiser.



It is the installing contractor's responsibility to consult local agencies for local code requirements.

Drip Piping Example for Standard Case Height (Not for Ultra Low Front Cases)



5. Ensure that drip piping is supported to relieve any stress on drip pipe connectors and drain hub. Drip piping **MUST** be supported no more than 24 in. from drain hub tee.

6. Provide a suitable air break between flood rim of the floor drain and outlet of drip pipe. To meet code on low base merchandisers, it may be necessary to install a field-supplied drip pipe reducer.



An alternative is to cut the last section of drip pipe at an angle.

7. Prevent drip pipes from freezing:

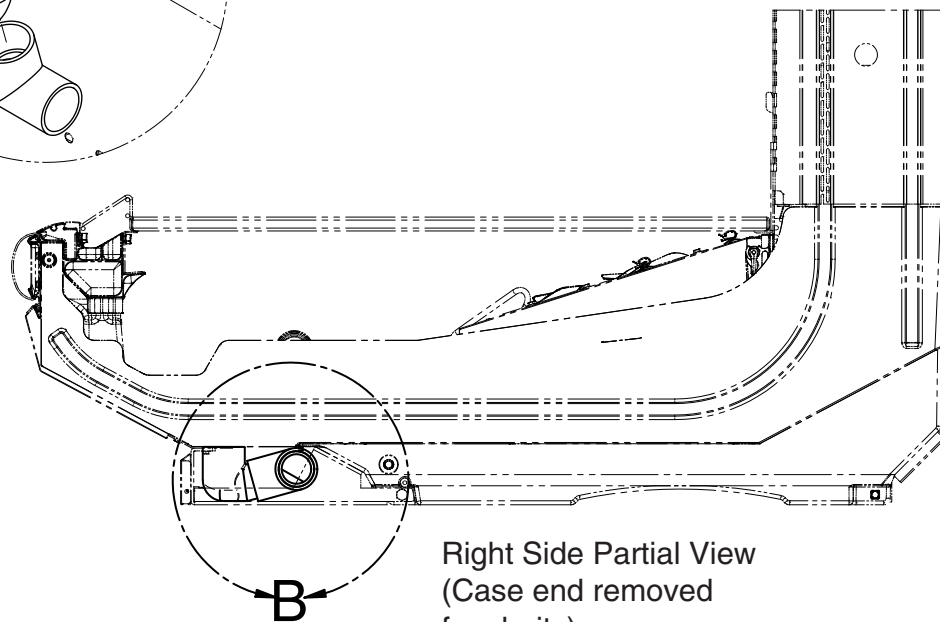
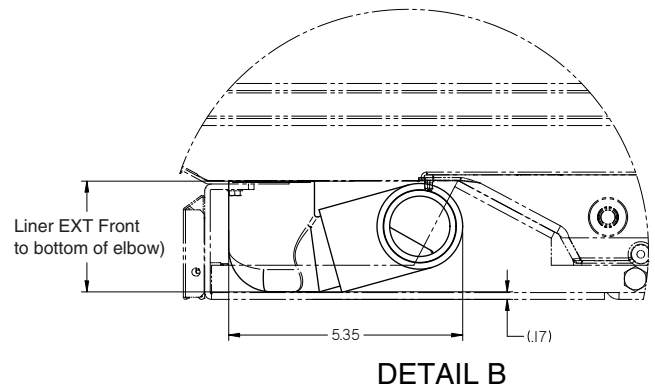
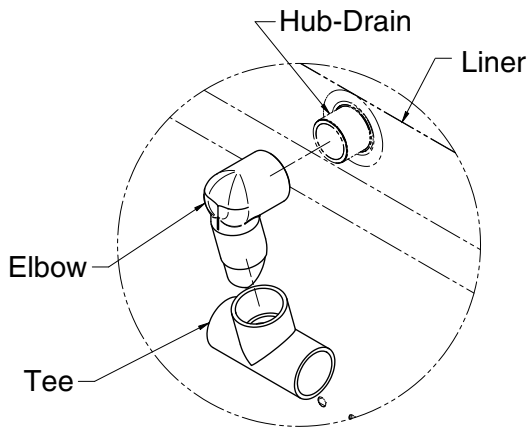
Do not install drip pipes in contact with uninsulated suction lines. Suction lines should be insulated with a nonabsorbent insulation material.

Where drip pipes are located in dead air spaces, such as between merchandisers or between a merchandiser and a store wall, provide means to prevent freezing.

Flush Floor Drip Piping Example for Ultra Low Front Cases



Elbow is to be oriented toward rear of case. Install elbow to tee, place elbow on hub. Push elbow until it meets the liner.

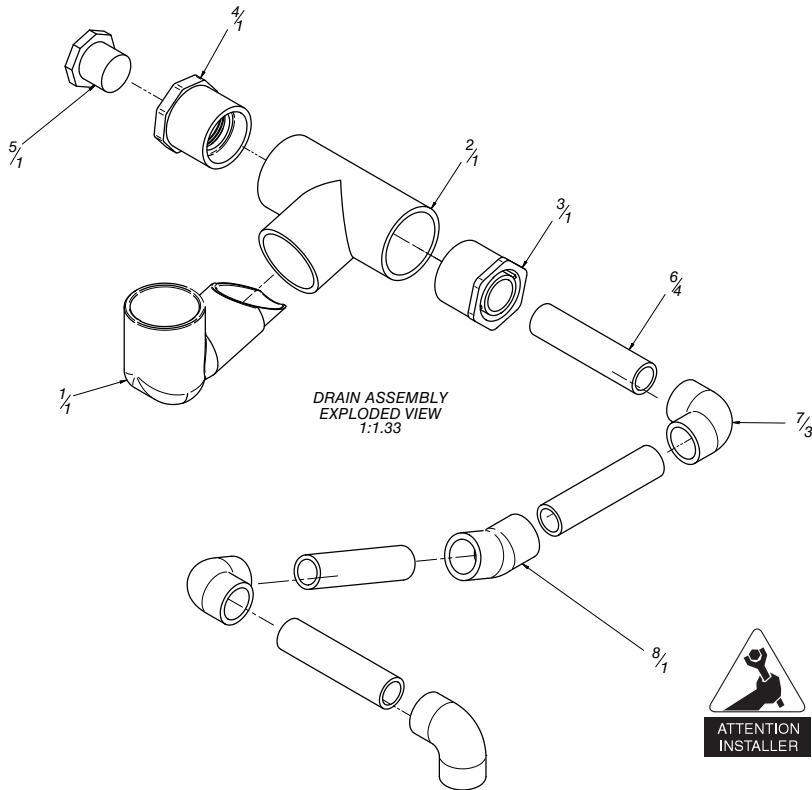


Right Side Partial View
(Case end removed for clarity)

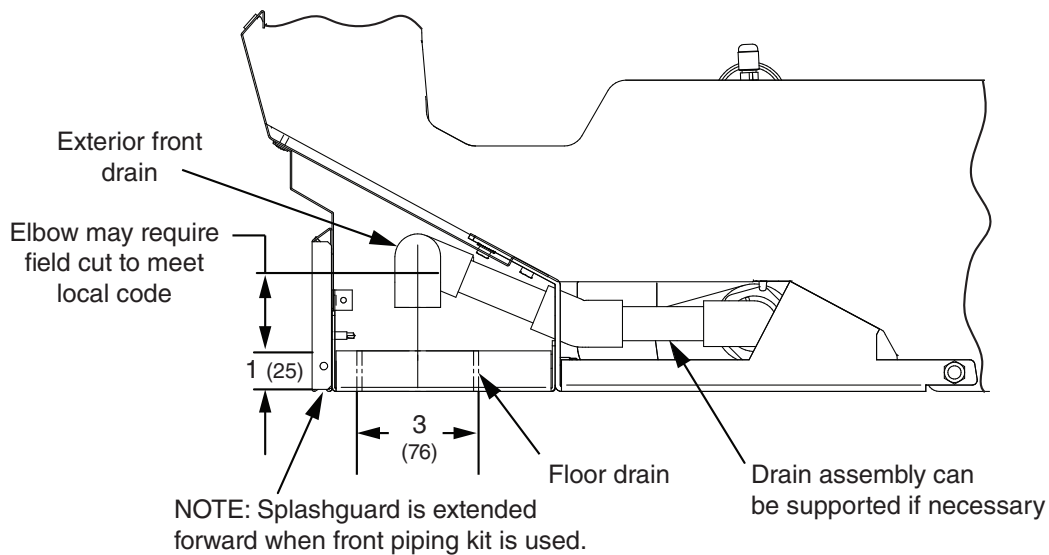
Optional Hub Drain Drip Piping Example for Ultra Low Front Cases

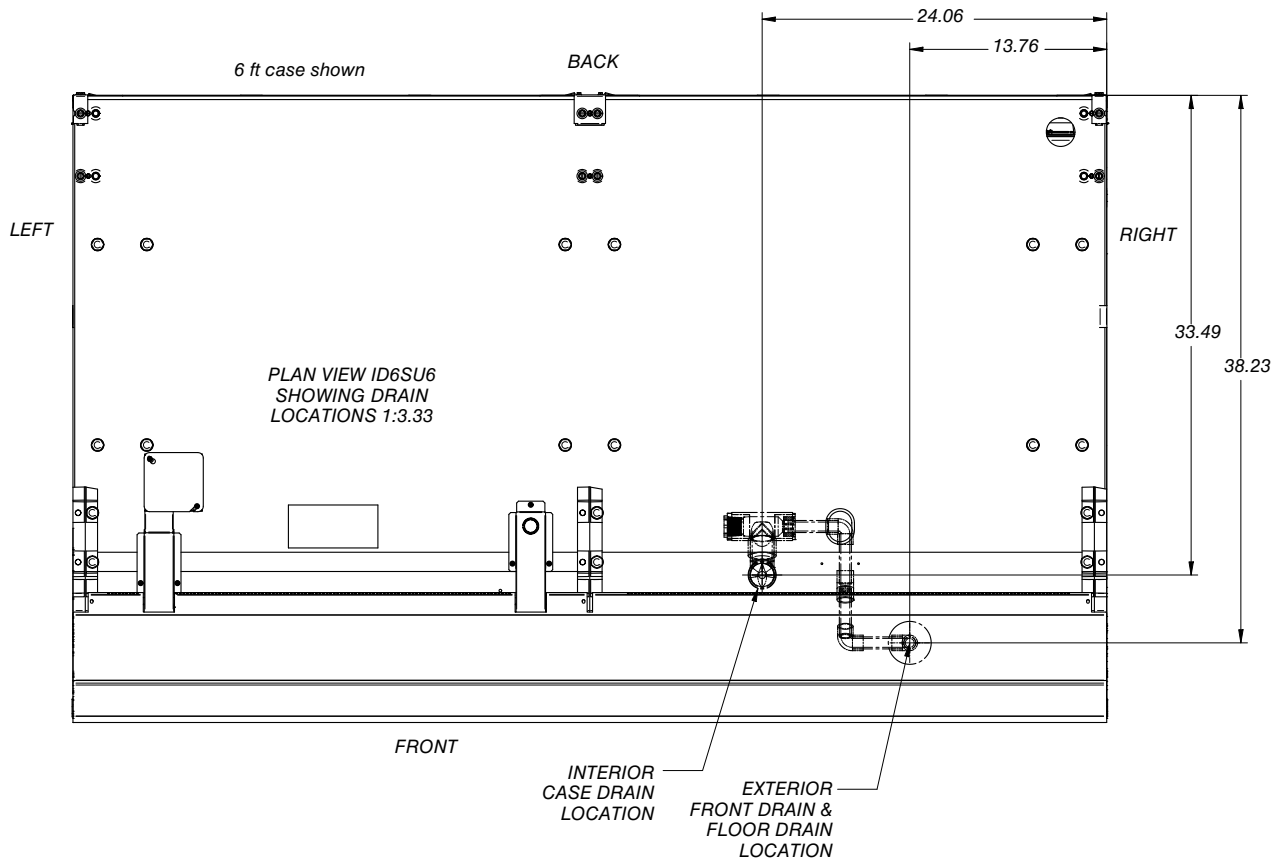
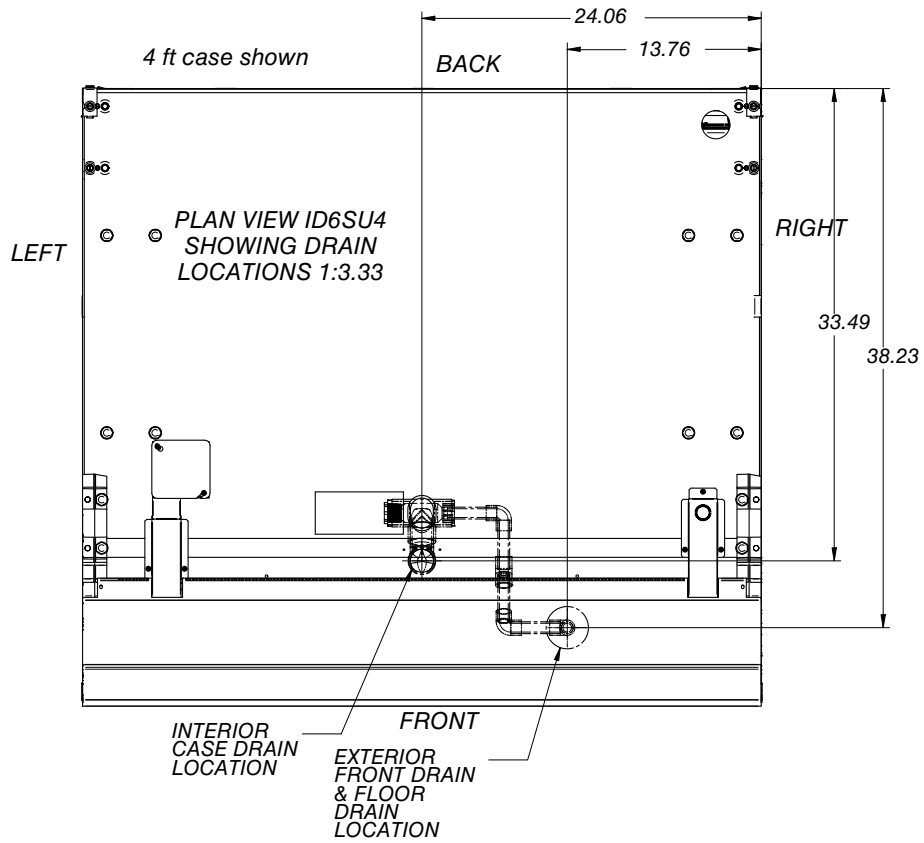
There is limited space underneath the case for piping ultra low front cases. If there is a drain hub in the floor, use the ultra low front piping kit. This extends the splashguard forward. Follow the waste outlet location drawings on the following pages to install the drip piping in the correct location.

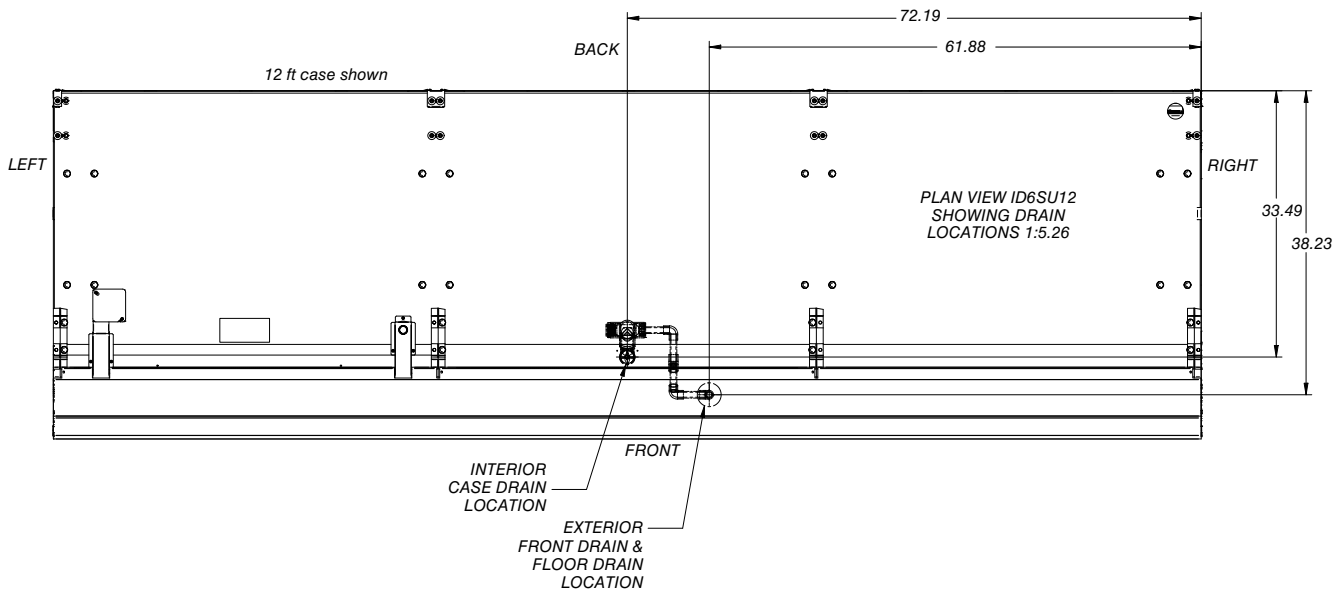
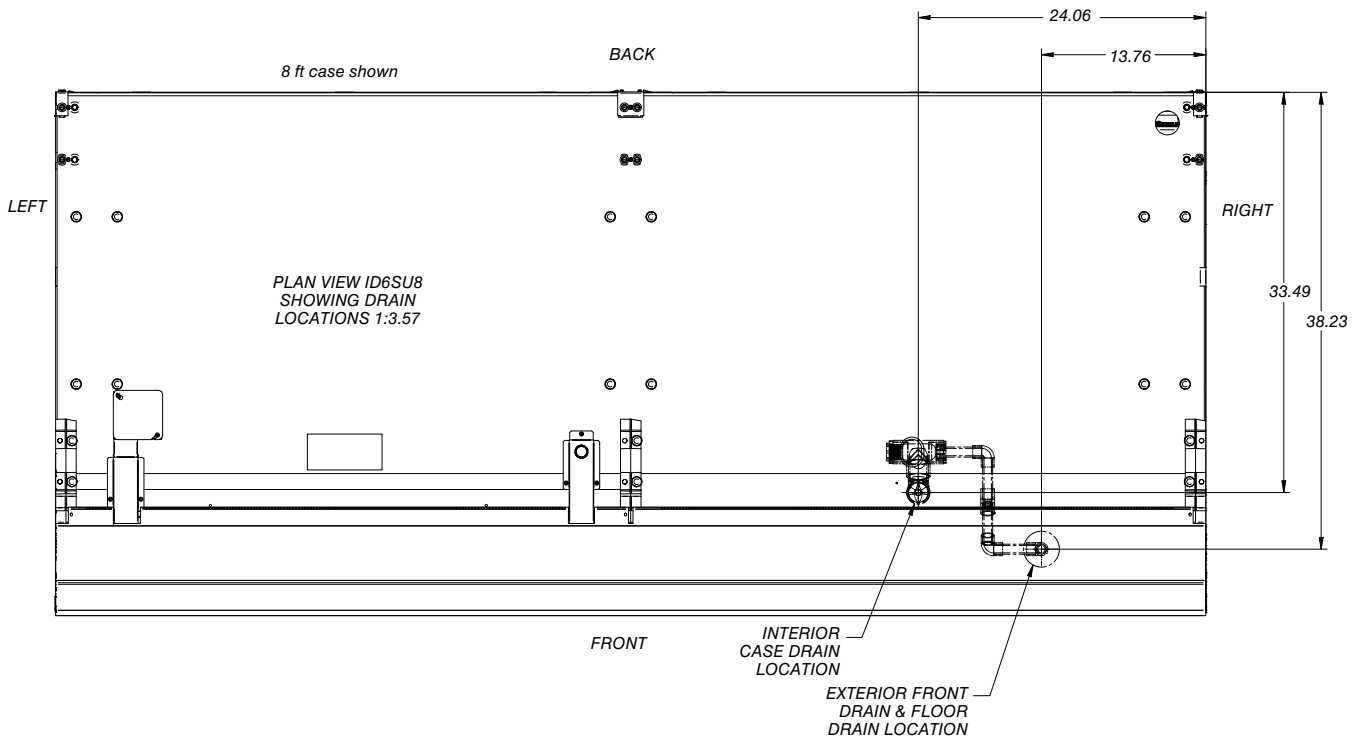
Item Number	Title	Quantity	Comments
1	ELBOW- AIR SEAL INSIGHT	1	FACTORY INSTALLED
2	TEE-1.25	1	FIELD INSTALLED
3	BUSHING-PVC REDUCER 1.250 X .50 SLIP	1	FIELD INSTALLED
4	REDUCER BUSHING-1.25x1.00	1	FIELD INSTALLED
5	PLUG-1.00	1	FIELD INSTALLED
6	PIPE-PVC .500 X 3.5 LONG	4	FIELD INSTALLED
7	ELBOW-PVC 90 DEG .500 SLIP	3	FIELD INSTALLED
8	ELBOW-PVC 22.5 DEG .500 SLIP	1	FIELD INSTALLED



**Elbow is to be oriented toward rear of case.
Install elbow to tee, place elbow on hub.
Push elbow until it meets the liner.**







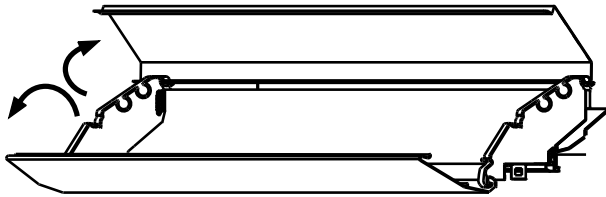
Final Alignment / Fit & Finish

Fascia Top Cap Alignment

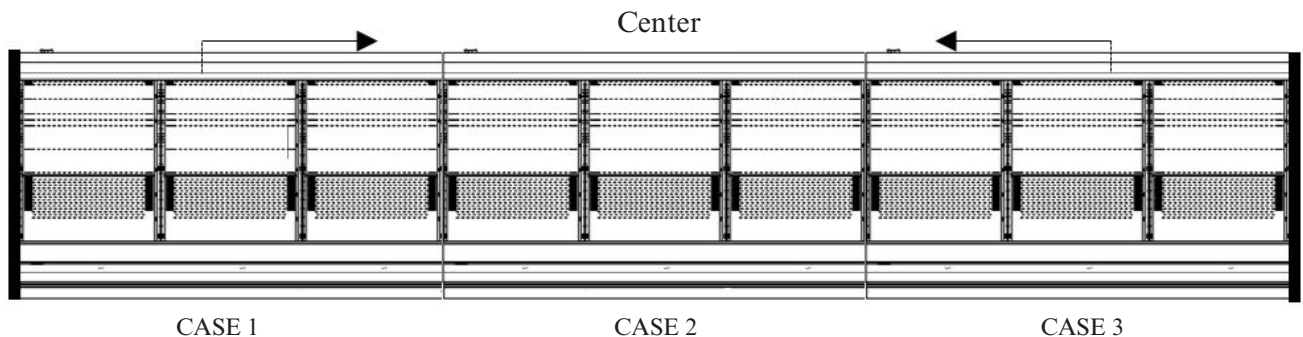
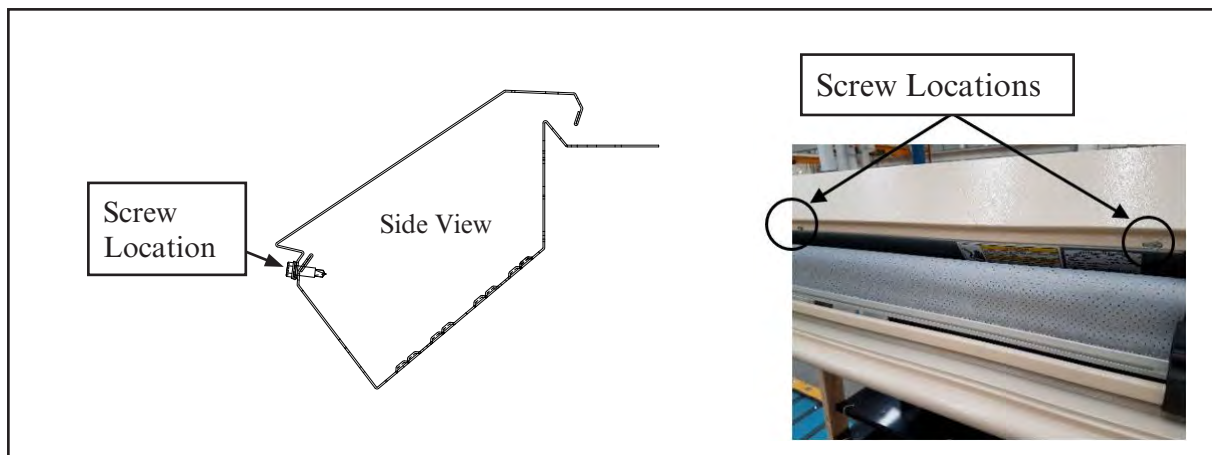
Applies to (IP4/IM5/ID5/ID6/IC5/IC6)

Fascia Top Cap can slide toward the center of (multideck) case lineups to eliminate gaps.

1. Pull fascia top cap to uncover fixing screws.
2. Loosen the screws of fascia top cap.
3. Move fascia top cap towards the lineup center. Tighten the screws after finishing the alignment.
4. Snap fascia top cap to closed position.



2. Loosen the screws of fascia top cap.



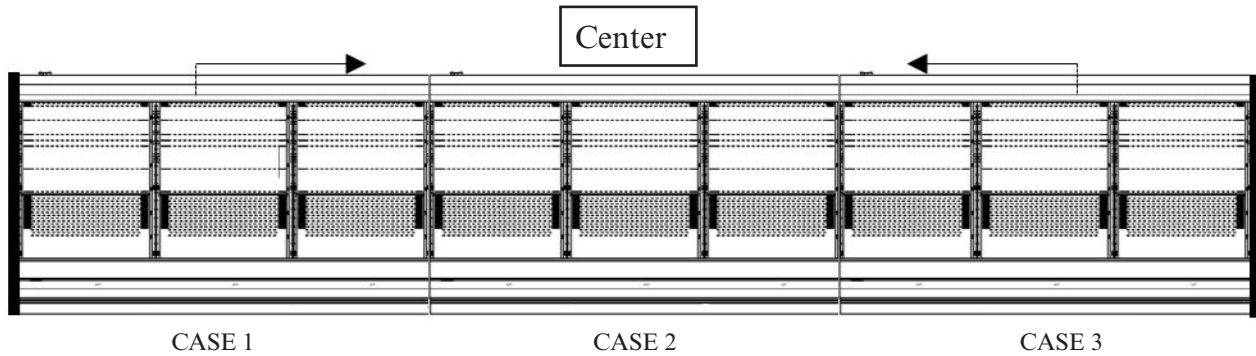
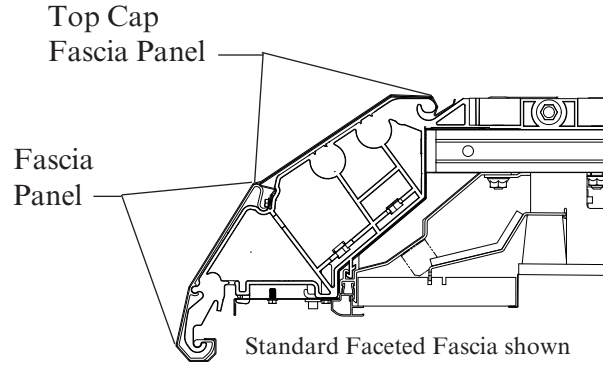
Fascia Panel Alignment

Applies to (IP4/IM5/ID5/ID6/IC6)

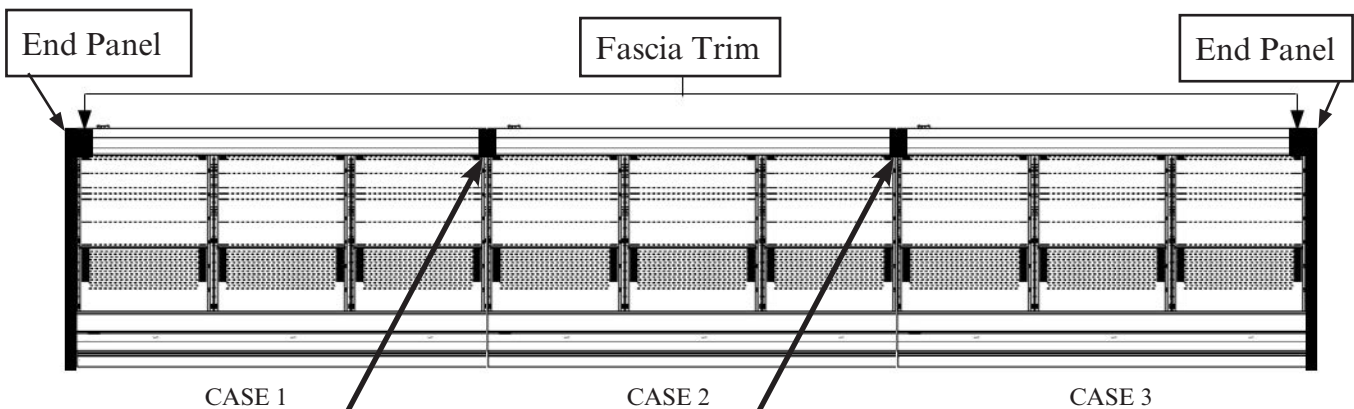
Fascia panel can slide toward the center of (multideck) case lineups to eliminate gaps.

Fascia trim is then needed at the end of either side of the lineups to eliminate gaps at the ends.

1. Slide fascia panels toward lineup center as shown in the illustration below.



2. Place fascia trim along fascia surface adjacent to ends to eliminate gaps at the ends of the lineup.

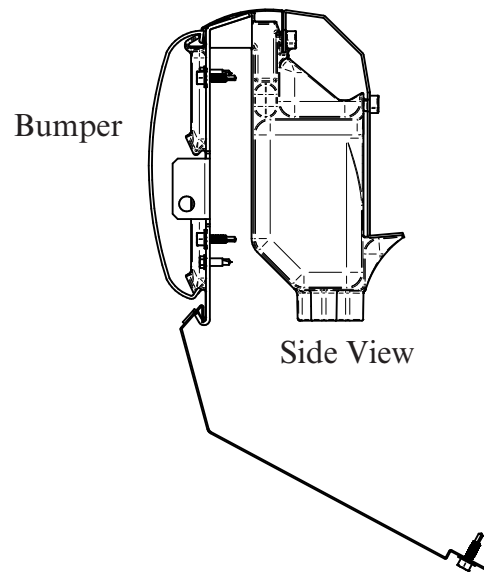


Optional Fascia Trim can be applied to case-to-case Fascia Joints

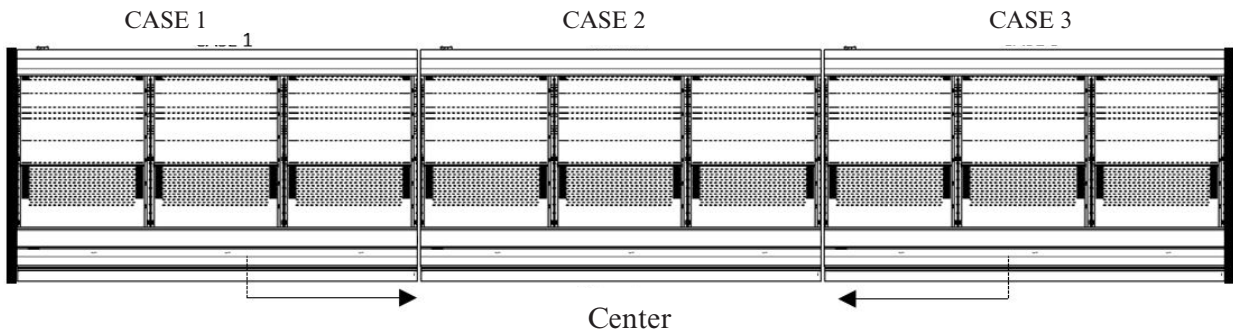
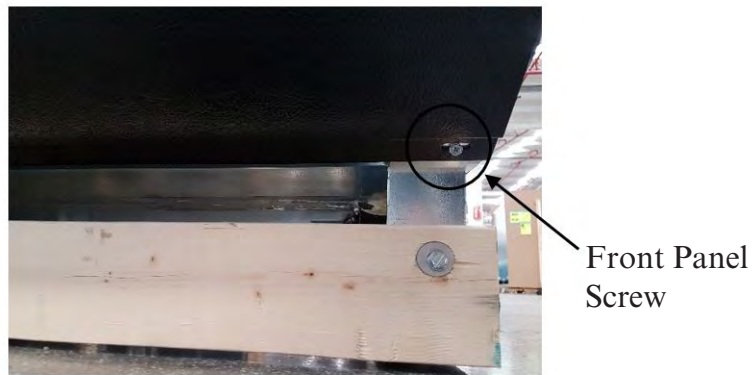
Front Panel Alignment

Front Panels can slide toward the center of (multideck) case lineups to eliminate gaps.

1. Loosen the front panel screws located at the bottom of Front Panel.
2. Slide front panel towards the lineup center to eliminate gaps between front panels. Tighten the screws after finishing the alignment.



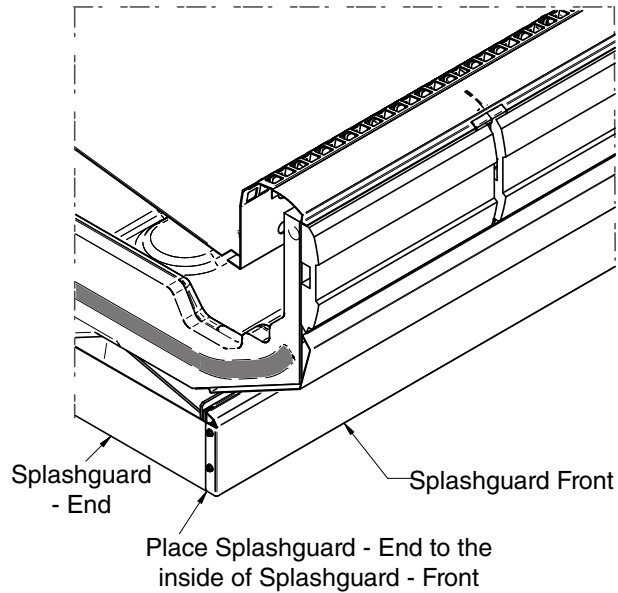
NOTE  Remove Front Skid Brace before aligning Front Panels. Align Panels before installing the Splashguard Front.



INSTALLING END SPLASHGUARDS

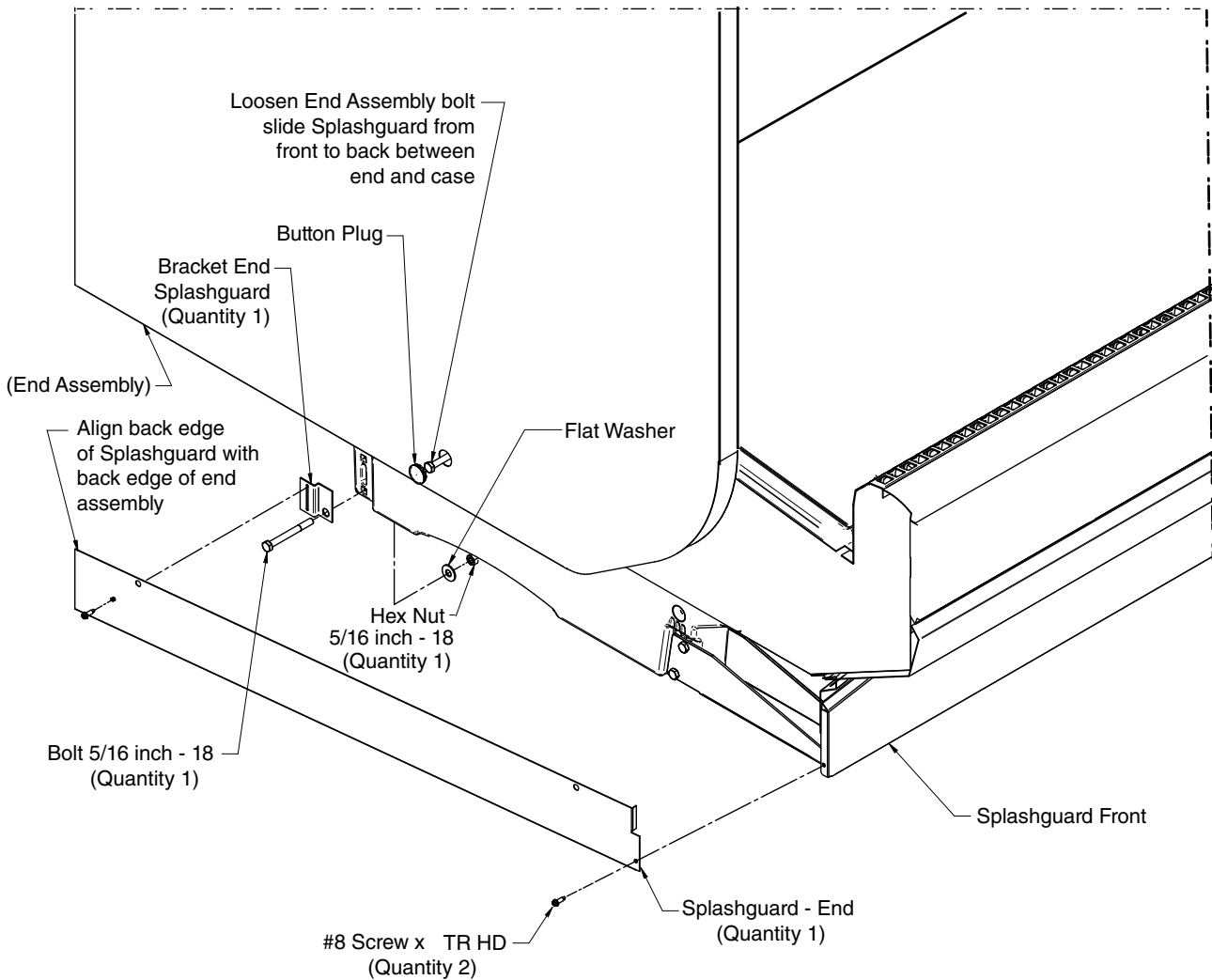
(Standard Case)

1. End splashguard must be slid in from the front, so that it fits behind the end panel. Attach end splashguard brackets to base at locations shown in the illustrations below.
2. Align forward edge of splashguard end panel to the inside of front splashguard. Fasten end splashguard to bracket with screws.
3. If end assembly bolt is loosened & seal broken when installing end splashguard, apply caulk to seal end assembly to inside of case.



NOTE End Splashguard Panel fits to the inside of End Assembly.

IMPORTANT Install end splashguard before installing front splashguards.

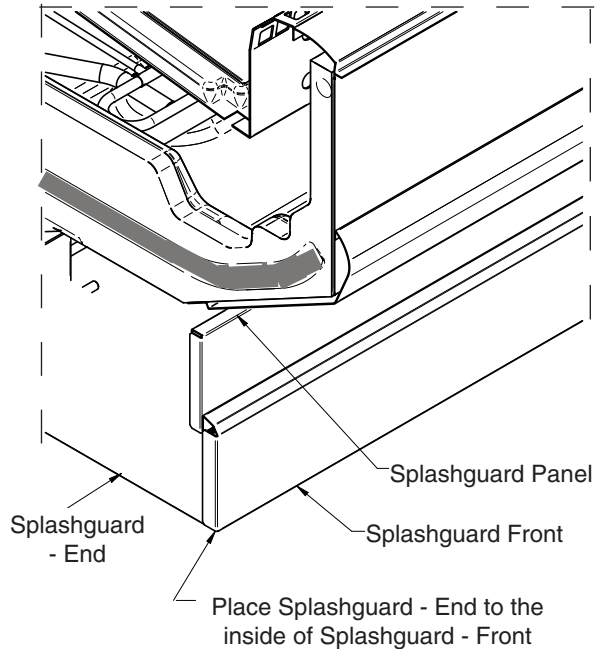


INSTALLING END SPASHGUARD

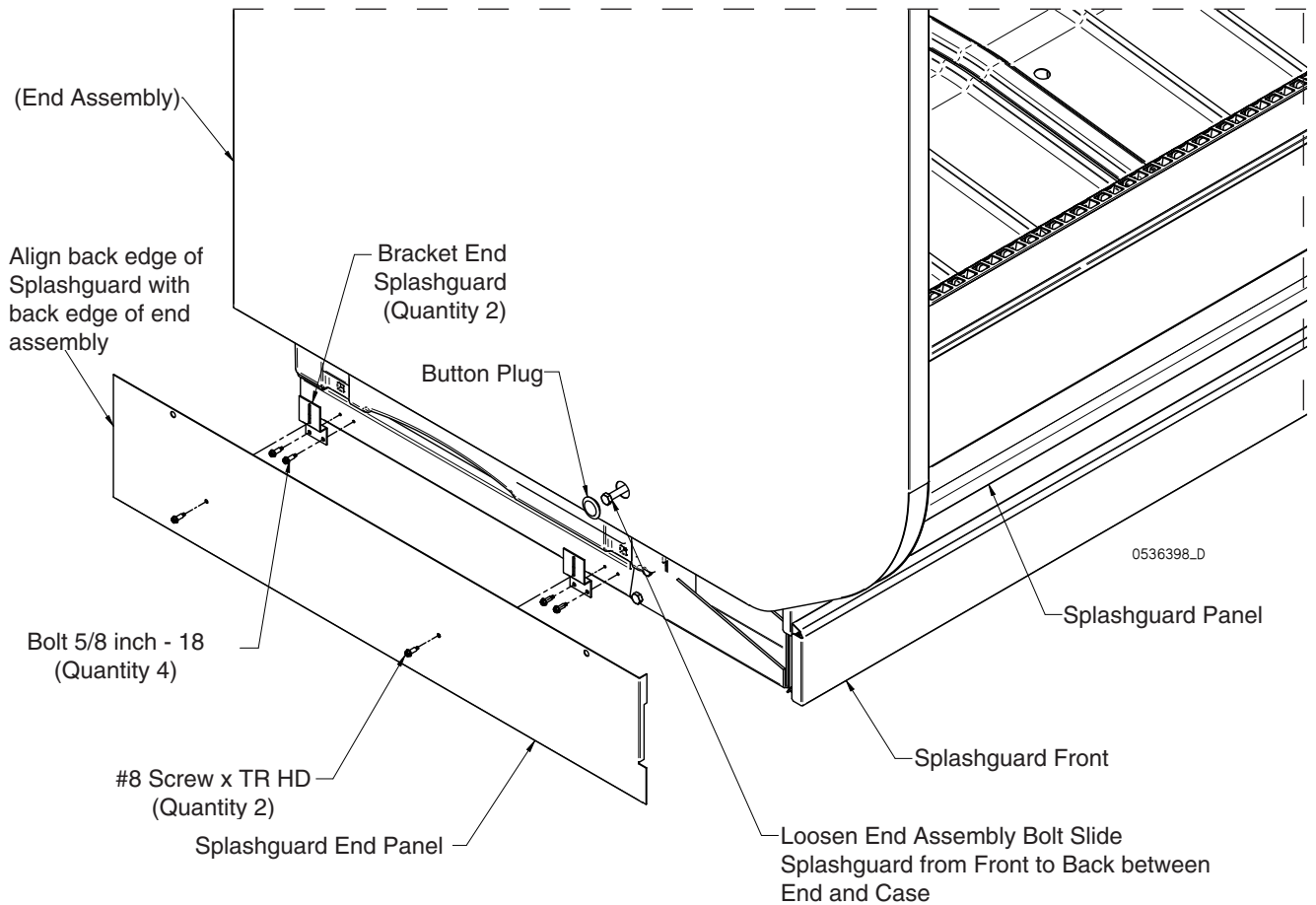
(Detail below for cases with elevated case heights.)

1. End splashguard must be slid in from the front, so that it fits behind the end panel. Attach end splashguard brackets (2) to base at locations shown in the illustrations below.
2. Align forward edge of splashguard end panel to the inside of front splashguard. Fasten end splashguard to bracket with screws.

NOTE End Splashguard Panel fits to the inside of End Assembly.



IMPORTANT Install end splashguard before installing front splashguards.



INSTALLING SPLASHGUARD BRACKETS

Position splashguard brackets at the front base (legs) of the merchandiser near the floor. Loosely assemble Splashguard Bracket using #8 x 5/8 inch SM screws as shown in Detail A below. More detail of splashguard installation shown on next page.

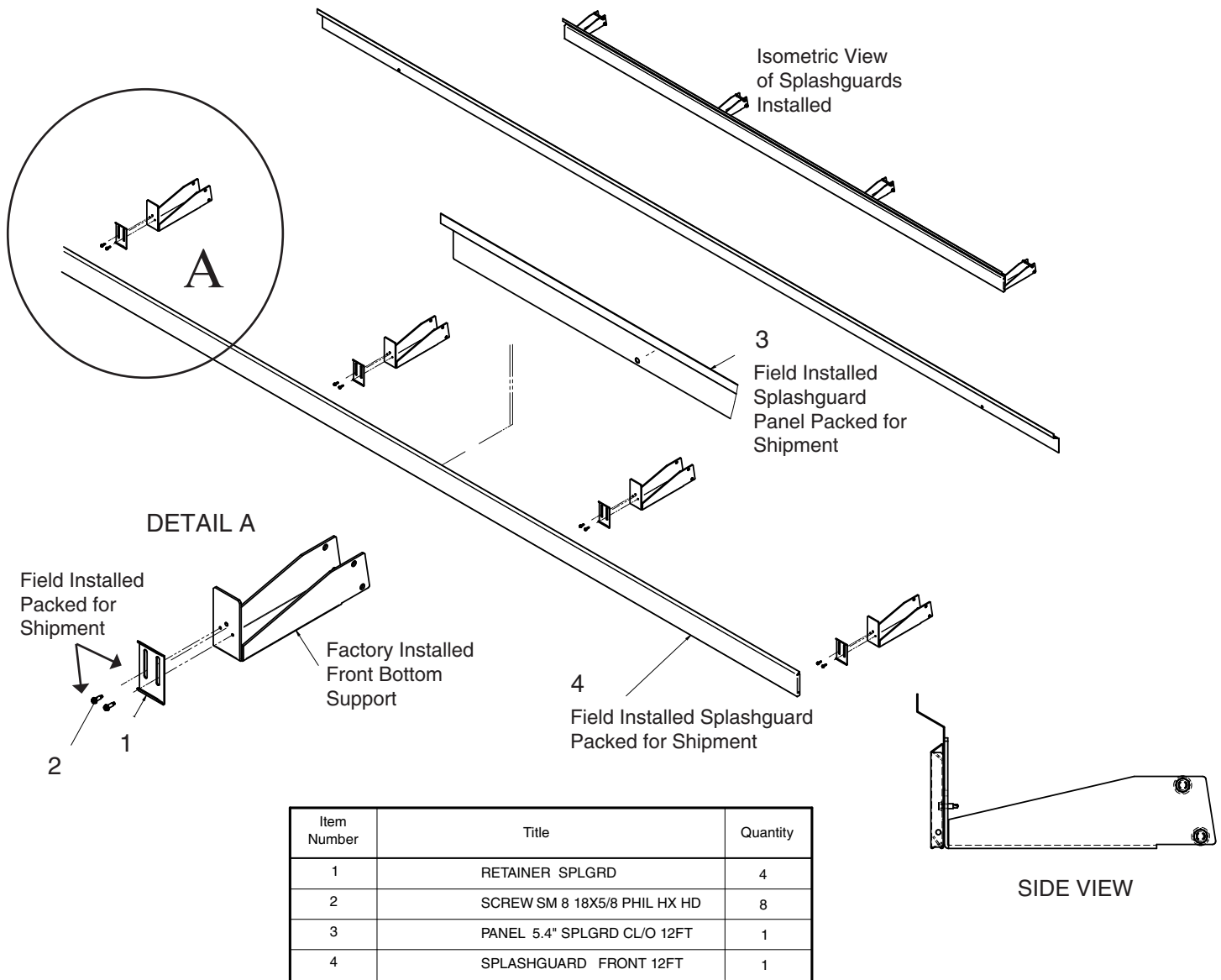


IMPORTANT Install Drip Piping Before Installing Splashguards

⚠ WARNING

» Use caution when working around refrigeration lines or water lines. Damage to equipment and/or personal injury could occur.

Splashguard Bracket and Panel Installation (12 ft Shown)



INSTALLING SPLASHGUARDS (Retainers and Panels)

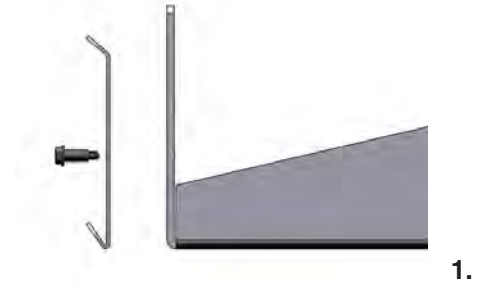
Splashguards are shipped inside each merchandiser, 4 brackets for 12 ft case, 3 for 6 ft, etc. **AFTER** merchandisers have been leveled and joined, and all drip piping, electrical and refrigeration work has been completed, install the splashguard.

To Install Splashguards:

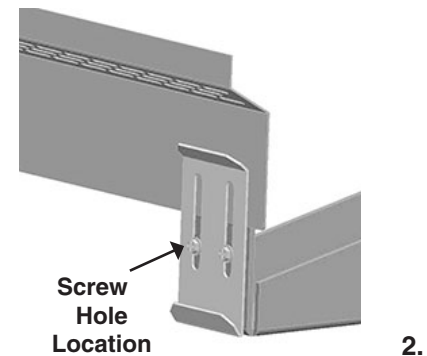
1. Check to be sure that all splashguard brackets are level with the floor. Refer to previous page for additional exploded view pictures.
2. Loosely attach the lower splashguard retainer bracket using # 8 SM screws (1).
3. Install close-off panel as shown in (2 & 3). Slide splashguard close-off panel between the bracket and lower front support.
4. Raise the splashguard close-off panel to where the top fits into bend on the lower color panel, then tighten the splashguard brackets.
5. Fit the lower splashguard into the slots on the lower splashguard retainer. Lower splashguard snaps into place (4).

To install OPTIONAL cove trim to the splashguard:

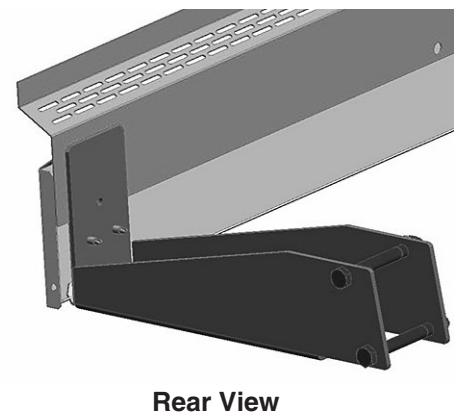
1. Remove all dirt, wax and grease from the area of the splashguard where adhesion will be necessary to ensure a secure installation.
2. Apply a good contact cement to the cove trim and allow proper drying time according to the directions supplied with the cement.
3. Install the trim to the splashguard so that it is lying flush with the floor. **DO NOT SEAL THE TRIM TO THE FLOOR.**
4. **If required by local health codes** the Cove Trim may be sealed to the floor, using a silicone type sealer. Sealant must be removed and replaced when servicing.



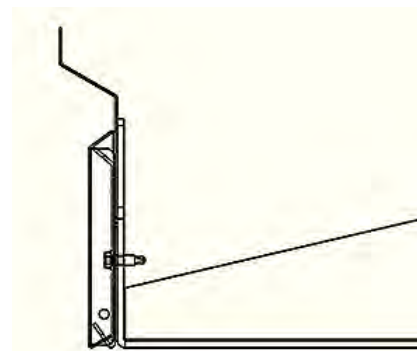
1.



2.



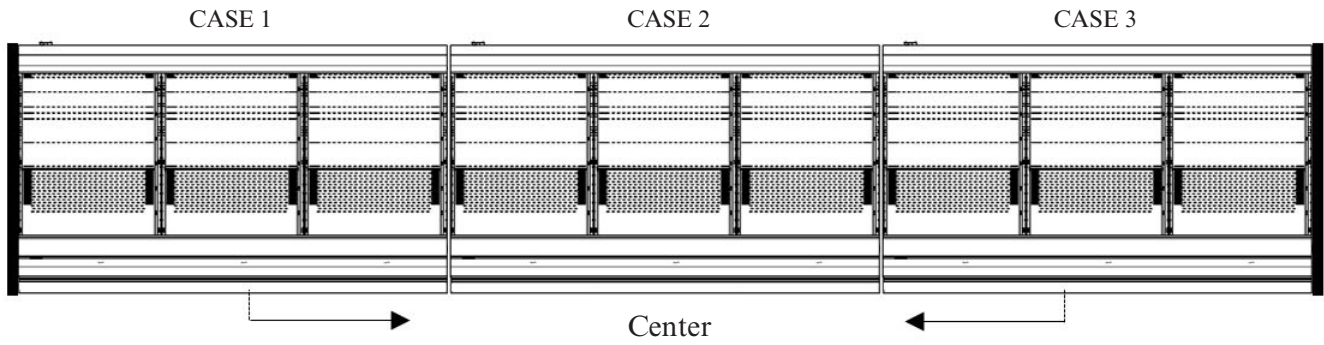
3.



4.

**SPLASHGUARD ALIGNMENT TO
ELIMINATE GAPS IN CASE LINE-UP**

1. Slide Splashguard towards line-up center to eliminate Splashguards gaps.



START UP / OPERATION

START UP

Prior to Start-up Check List

- Is the case connected to its proper nameplate power supply?
- Is there power on at the breaker panel?
- Are the water hand valves open?
- Is the chiller on and circulating water through the condenser(s)?
- Are there any leaks from condenser water connections? Clamps may need to be tightened.
- Do evaporator fans rotate freely? Are they plugged in?
- Is the water strainer clear of debris?

Starting up the case

- Ensure the chilled water flow is on, and connect the case to power.

The case(s) will start automatically within 4 minutes. The controller will be activated and the case will begin to cool down.

NOTE: Compressor startups are staggered to prevent high electrical circuit demand.

Once the cases are running, listen for any unusual sounds or events. Examples include: evaporator fan blade interference. Compressors should run continuously at startup. Use an amperage meter to check the current to each compressor. Compressors are hermetic and very quiet.

CHECK the water outlet temperature from each condenser. The outlet water temperature should be about 10°F (5.6°C) higher than the inlet water temperature.

! DANGER

- » Due to risk of ignition resulting from incorrect parts or improper service, only Hussmann authorized personnel may service this equipment.
- » Component parts shall be replaced only with exact manufacturer and model number components. Failure to use authorized technicians could result in an explosion, death, injury and property damage.

CHECK each fan to ensure it is running. The discharge air output at the top inside front of the case (honeycomb area) should be relatively even across the length of the case. **VERIFY** there are no leaks at the condenser water connections.

CHECK the display on the discharge air sensor, which displays the case temperature. The display will indicate room temperature upon start up and decrease with run time. The lights will be turned ON (lights are controlled remotely, if the lights are not “ON”, check the stores’s control panel circuit breaker).

⚠ WARNING

- » Possible hazardous condition. Follow safety procedures outlined by store safety management.

If a leak is detected, follow store safety procedures.

It is the store's responsibility to have a written safety procedures in place. The safety procedure must comply with all applicable codes such as local fire department's codes.

At minimum, the following actions are required:

- Immediately evacuate all persons from the store, and contact the local fire department to advise them that a propane leak has occurred.
- Call Hussmann and/or a qualified service agent and inform them that a propane sensor has detected the presence of propane.
- Do not let any persons back into the store until the qualified service technician has arrived and that technician advises that it is safe to return to the store.
- The propane gas used in the unit has no odor. The lack of smell does not indicate a lack of escaped gas.
- A hand-held propane leak detector (“sniffer”) should be used before any repair and/or maintenance is attempted. All repair parts must be identical models to the ones they are replacing.
- No open flames, cigarettes or other possible sources of ignition should be used inside the building where the units are located until the qualified service technician and/or local fire department determines that all propane has been cleared from the area and from the refrigeration systems.

12 HOURS AFTER STARTUP CHECKLIST

- Check case temperature.
- Check if there is any alarm on the controller display.
- Check water connections for leaks or accumulation of water.
- Verify the fans are running.
- Check compressor's amperage, and validate with the information on serial plate.
- Check that all inspection plates and covers have been properly replaced.
- Inspect for any water accumulation due to incorrect or unsealed penetrations where electrical or other lines pass through insulated walls of the case.
- Verify that the lights are “ON”. (lights are switched remotely.) If lights are “OFF”, check the illumination schedule and circuit breaker for the lights.
- Check the water outlet temperature from each condensing unit. Water outlet temperature should be approximately 10° F (5.6° C) higher than the inlet water temperature.

CONDENSING UNIT COMPONENTS

The condensing units are equipped with a non-adjustable high pressure controls and internal compressor motor protectors.

IMPORTANT: The high pressure control will open in the event of excessive pressures; for example, the loss or reduction in condenser water flow. The high pressure control will open at approximately 450 psig and automatically resets when the pressure has decreased below 320 psig.

LOAD LIMITS

Each merchandiser has a load limit. Shelf life of perishables will be short if load limit is violated. At no time should merchandisers be stocked beyond the load limits indicated.

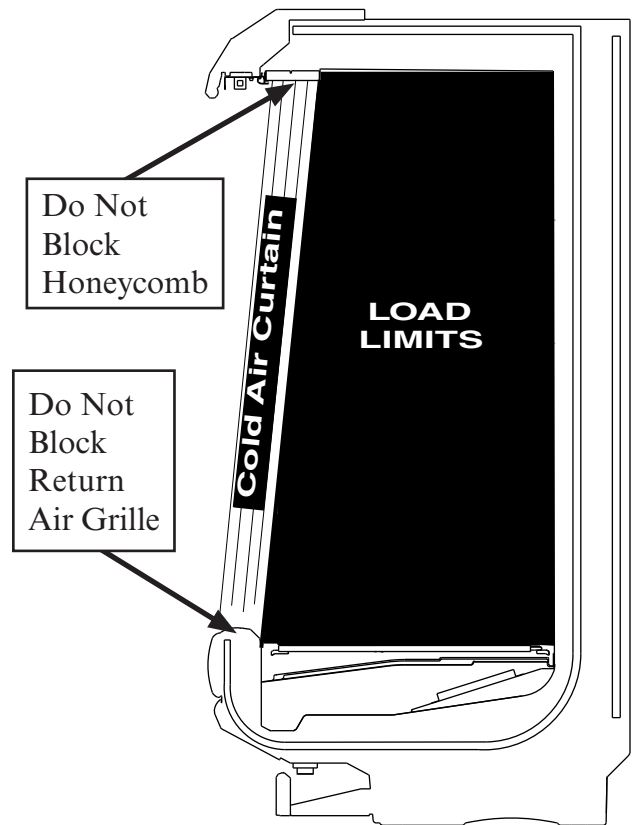
STOCKING

Do not block honeycomb or return air grille.

Product should not be placed inside of merchandisers until merchandiser is at proper operating temperature. Proper rotation of product during stocking is necessary to prevent product loss. Always bring the oldest product to the front and set the newest to the back.

Air discharge and return flues must remain open and free of obstruction at all times to provide proper refrigeration and air curtain performance. Do not allow product, packages, signs, etc. to block these grilles. Do not use non-approved shelving, baskets, display racks, or any accessory that could hamper air curtain performance.

Excessive ambient conditions may cause condensation and therefore sweating of doors. Facility operators should monitor doors and floor conditions to ensure safety of persons.



⚠️ WARNING

- » Do not walk on case. Do not store items or flammable materials atop the case.

SHELF MAXIMUM WEIGHT LIMITS

Husmann merchandiser shelves are designed to support the maximum weight load limits as indicated in this table.

Exceeding these maximum weight load limits may cause damage to the shelf or shelves, damage to the merchandiser, damage to store products, and potentially create a hazardous condition for customers and staff. Exceeding the indicated maximum weight load limits constitutes misuse as described in the Husmann Limited Warranty.

Weight Limits for Merchandiser Shelving

Nominal Shelf Depth	Maximum Load Limit
12 in. (305 mm)	125 lb (56.7 kg)
14 in. (357 mm)	125 lb (56.7 kg)
16 in. (406 mm)	200 lb (90.7 kg)
18 in. (457 mm)	200 lb (90.7 kg)
20 in. (508 mm)	250 lb (113.4 kg)
22 in. (559 mm)	250 lb (113.4 kg)
24 in. (610 mm)	250 lb (113.4 kg)
Heavy Duty Beverage Shelf 16 in. (406 mm)	300 lb (136 kg)
Heavy Duty Beverage Shelf 18 in. (457 mm)	320 lb (145.1 kg)
Heavy Duty Beverage Shelf 20 in. (508 mm)	350 lb (158.8 kg)
Heavy Duty Beverage Shelf 22 in. (559 mm)	350 lb (158.8 kg)
Heavy Duty Beverage Shelf 24 in. (610 mm)	350 lb (158.8 kg)

*Shelf load limits at 0° tilt

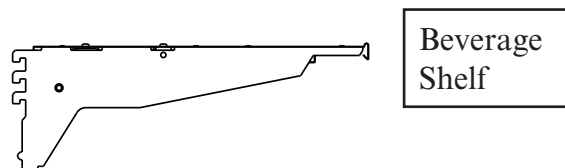
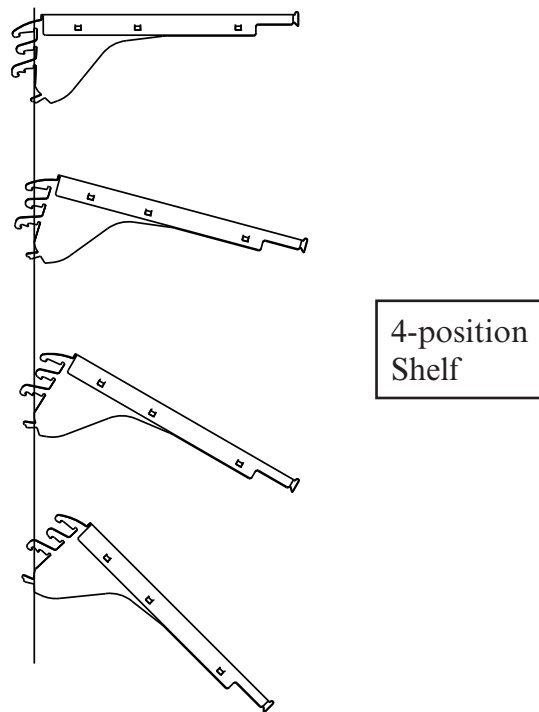
Merchandiser Shelf Depths

	Recommended	Maximum
Narrow (37 in. Merchandiser Depths)	16 in. (406 mm)	18 in. (457 mm)
Standard (42 in. Merchandiser Depths)	22 in. (559 mm)	24 in. (610 mm)

MULTI-DECK SHELF CONFIGURATION

Shelves are individually mounted in 1 in. (25 mm) increments and have two-, three-, or four-position brackets, permitting shelves to be placed in a flat or down-tilt position (see illustration). Front product stops are recommended when shelves are placed in the down-tilt position.

Case performance will be degraded if peg shelves are used without baffles. Unauthorized specialty shelving may cause poor merchandiser performance. Consult your Husmann representative to ensure optimum performance of Husmann equipment.



LED FIXTURES

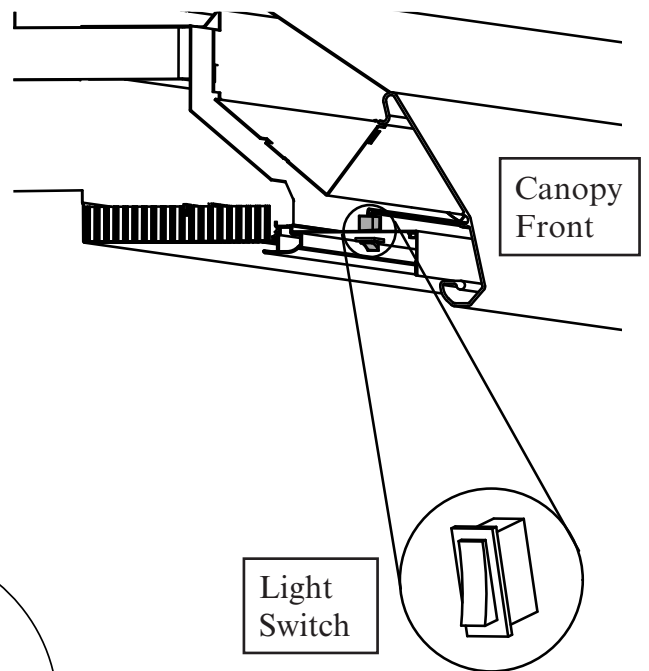
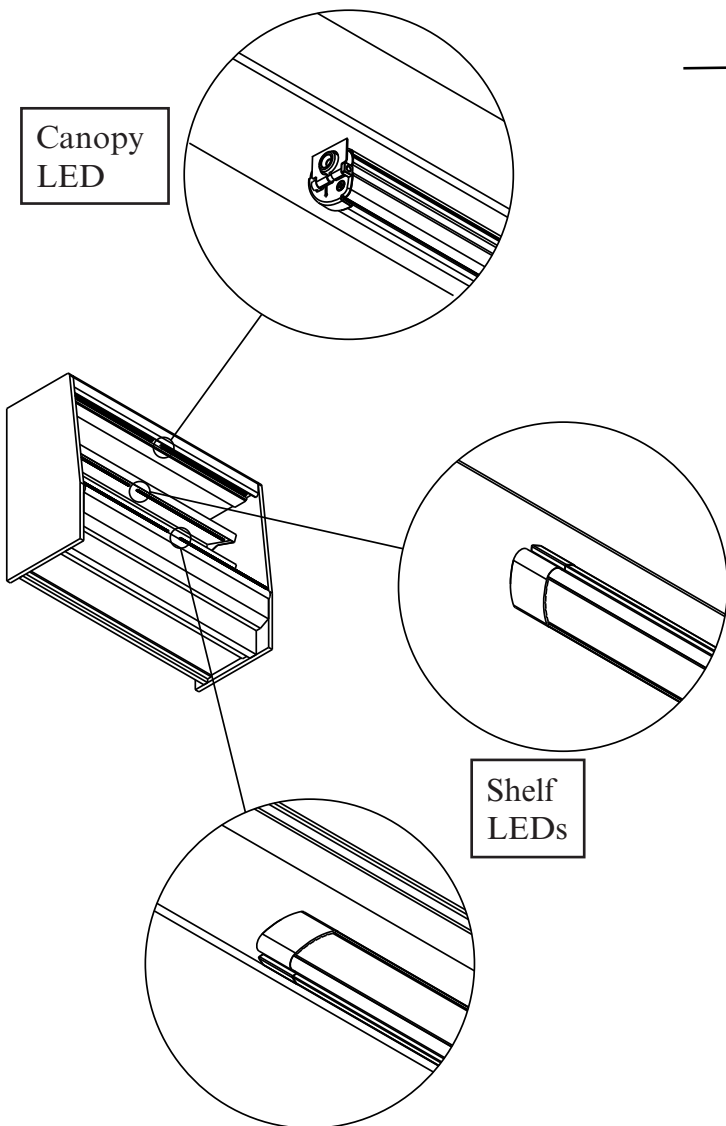
These merchandisers are equipped with 24 volt DC power supplies that power the LEDs. The power supplies are located in the canopy wireway. EcoShine II LEDs work well for dimming or on/off operation using an occupancy sensor (optional kits).

They can be turned on and off in a cold environment with no warm-up time and no negative impact on lamp life.

⚠ WARNING

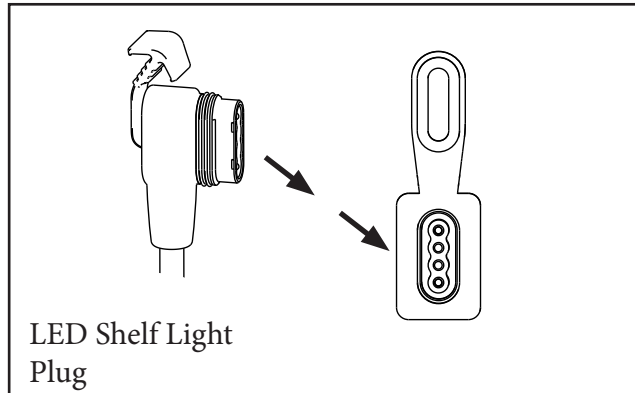
— LOCK OUT / TAG OUT —

» To avoid serious injury or death from electrical shock, always disconnect the electrical power at the breaker when servicing or replacing any electrical component. This includes, but is not limited to, such items as doors, lights, fans, heaters, and thermostats.

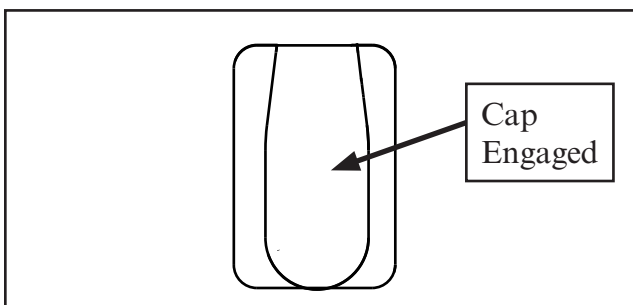


PROCEDURE FOR INSTALLING LIGHTED SHELVES

Follow these instructions to ensure good contact between male and female connectors.



1. Remove any products from the case and place in cooler. Shut off power to the merchandiser.
2. Turn off Canopy Light Switch. Remove all packed shelves.
3. **Engage each power socket cap, and ensure that each cap is fully seated before cleaning.** Ensure the proper seating of the cap at all times when the plug is not engaged.



4. Clean the merchandiser as described in the *Care and Cleaning* paragraphs of **Section 5 — Maintenance**. **Keep liquid out of sockets.** (Allow merchandiser shelves to dry before turning on shelf power.)

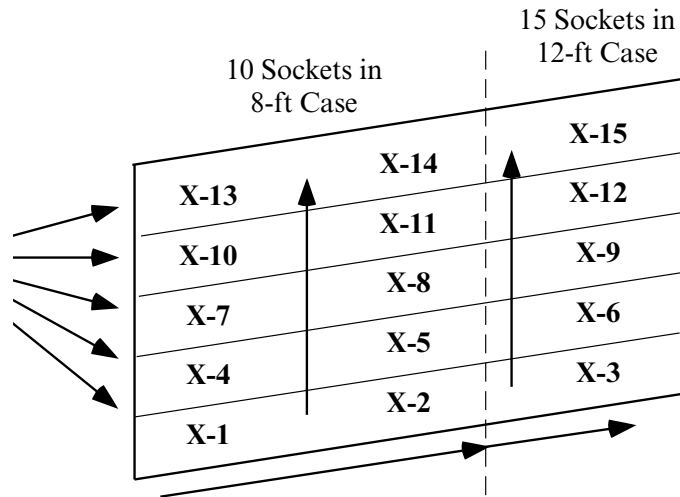
5. Verify power to the merchandiser is turned ON. Verify that the merchandiser light switch is turned OFF. The switch is located in the canopy, on the left side.

6. Refer to the illustration at the top of the next page. Note that other models will have fewer rows of shelves. Starting from the left-hand bottom section, choose the location for the first shelf, X-1.

7. Secure the shelf in the slotted upright. Make certain that the shelf is level and that ends are in the same slot on the left and right upright. Markings on the shelf uprights indicate the proper shelf notch for each shelf location. It is important that shelf brackets be properly seated in the slotted upright.

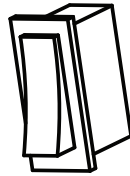
8. Working from left to right, install the next shelf, X-2, to the right of the first shelf you installed. Always work from left to right and from the bottom up in each 8 ft (2438 mm) and 12 ft (3685 mm) merchandiser.

9. After each shelf on the bottom row is in position, be sure to remove the cap and insert the shelf connector. ***Push firmly.***



**Always work Left to Right,
and Bottom to Top**

10. Turn ON the merchandiser light switch after the entire bottom row has been installed in either 8 or 12 ft (2438 or 3658 mm) merchandisers. The shelf lights should light.



Note: Since the location for the remaining shelves, X-4 to X-15, may be directly over the rear wall receptacle, the shelf should be plugged in before engaging brackets in the uprights. The lower shelf will support the weight of the next shelf until it is plugged in. After installing each shelf, verify that its plug is properly connected to its rear wall receptacle. Continue working row by row, bottom up, left to right.

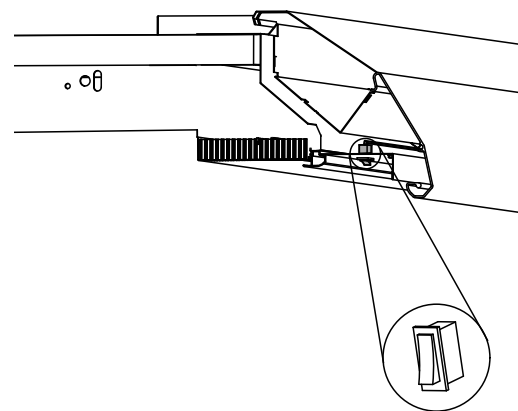
If an LED shelf light does not operate:

- Turn off light switch.
- Remove and firmly re-insert each shelf plug.
- Turn on light switch.

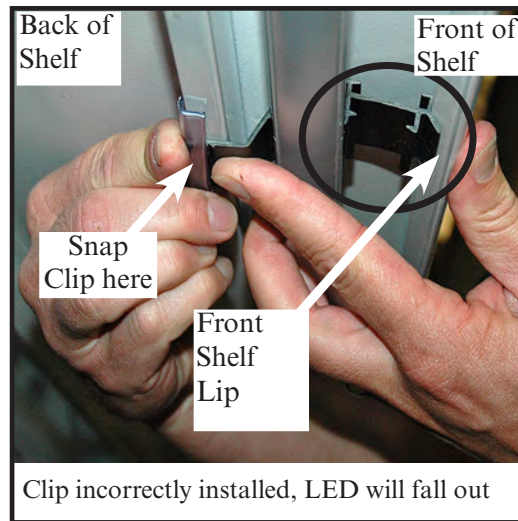
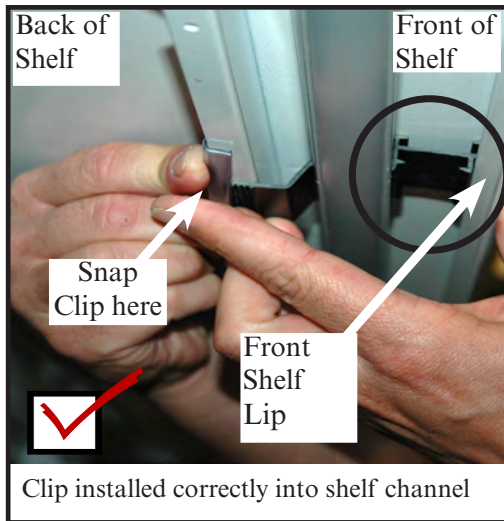
Important
If a shelf is plugged in and the lamp does not work, verify the case light switch is ON.

If lights do not operate after checking the items listed above, contact the installation contractor.

11. Using the row of shelves just installed as support, set the next shelf, X-4, in the desired location. Remove the cap and insert the shelf plug. Continue working left to right installing shelves X-5 and X-6.



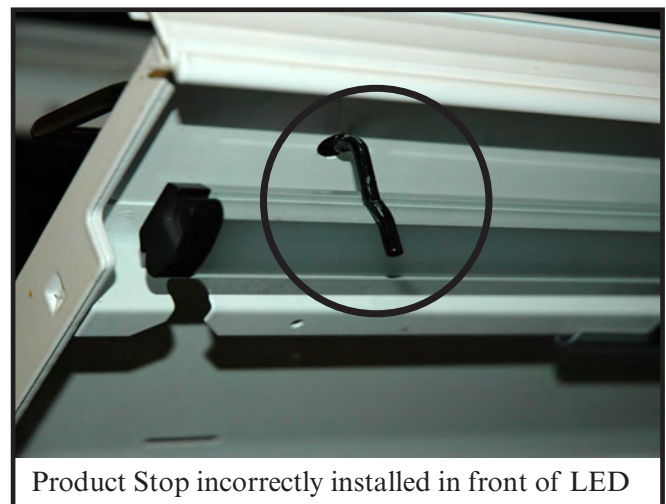
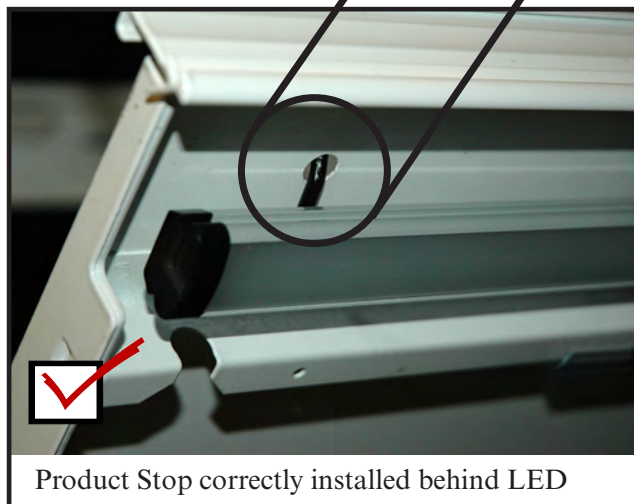
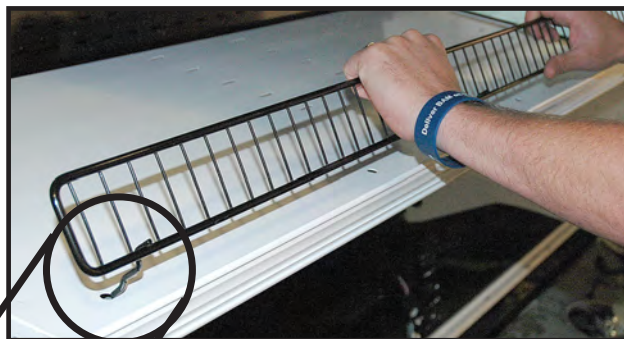
SHELF LED CLIP INSTALLATION



Shelf LED clips must be first inserted into the front lip underneath the shelf as shown at left. Next the retaining clip is “snapped on” to the rear of the LED clip.

PRODUCT STOP INSTALLATION

Use caution when installing Product Stops. Product stop legs must be inserted at an angle. When product leg goes through the shelf, it must rest **BEHIND** the LED shelf light as shown below.

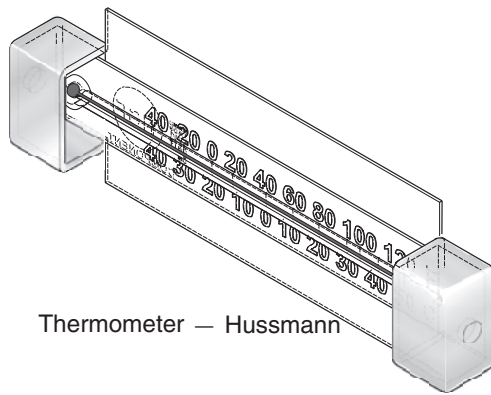


INSTALLING FDA/NSF REQUIRED THERMOMETER

The thermometer requirement does not apply to display refrigerators intended for bulk produce (refer to page 1-1). Please note that the tape cannot be exposed after installation.

This thermometer may not be required or provided in other countries. Check for local code requirements.

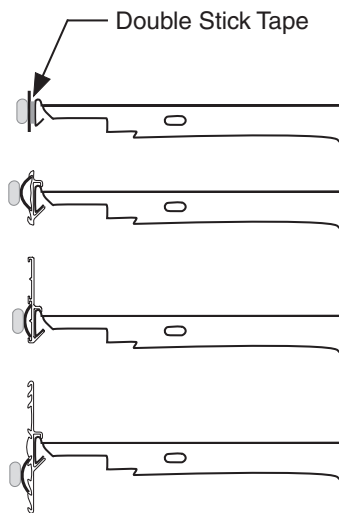
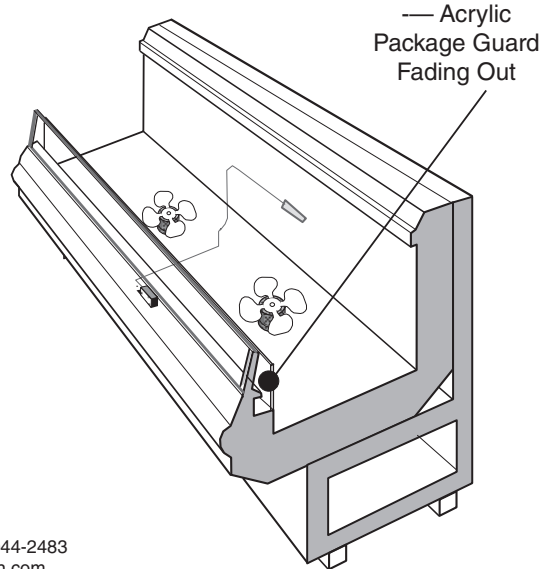
This is an NSF-7 & US FDA Food Code Required Thermometer



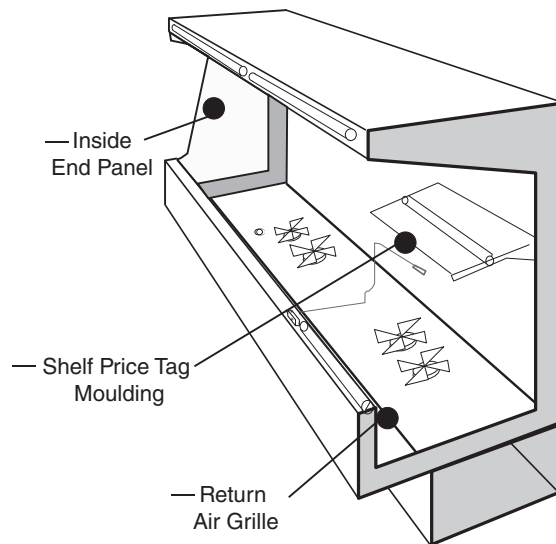
Thermometer — Husmann

Husmann Corporation • 12999 St. Charles Rock Road • Bridgeton, MO 63044-2483
U.S. & Canada 1-800-922-1919 Mexico 1-800-890-2900 www.husmann.com
© 2013 • Husmann Corporation

Suggested Mounting Locations in Single Deck Glass Front Merchandisers



Flexible Plastic Fits in Price Tag Moldings



Suggested Mounting Locations in Multi-deck Merchandisers

Important – Please read!

This thermometer is provided in response to United States
Food and Drug Administration (US FDA) Food Code [<http://www.fda.gov/>]
and
National Sanitation Foundation (NSF / ANSI) Standard 7 [<http://www.nsf.org/>]

Each installation will be different depending on how the unit is stocked, shopping patterns in the department and ambient conditions of the store. The suggested locations provided herein are possible locations. It is the responsibility of the purchaser / user to determine the location within the food storage area of the unit that best meets the code requirements above.

The thermometer may need to be moved several times to find the warmest location. Mounting options include flexible plastic for price tag molding application, magnet applied to back of flexible plastic for steel end wall, and double stick tape. Tape must not be exposed after installation.

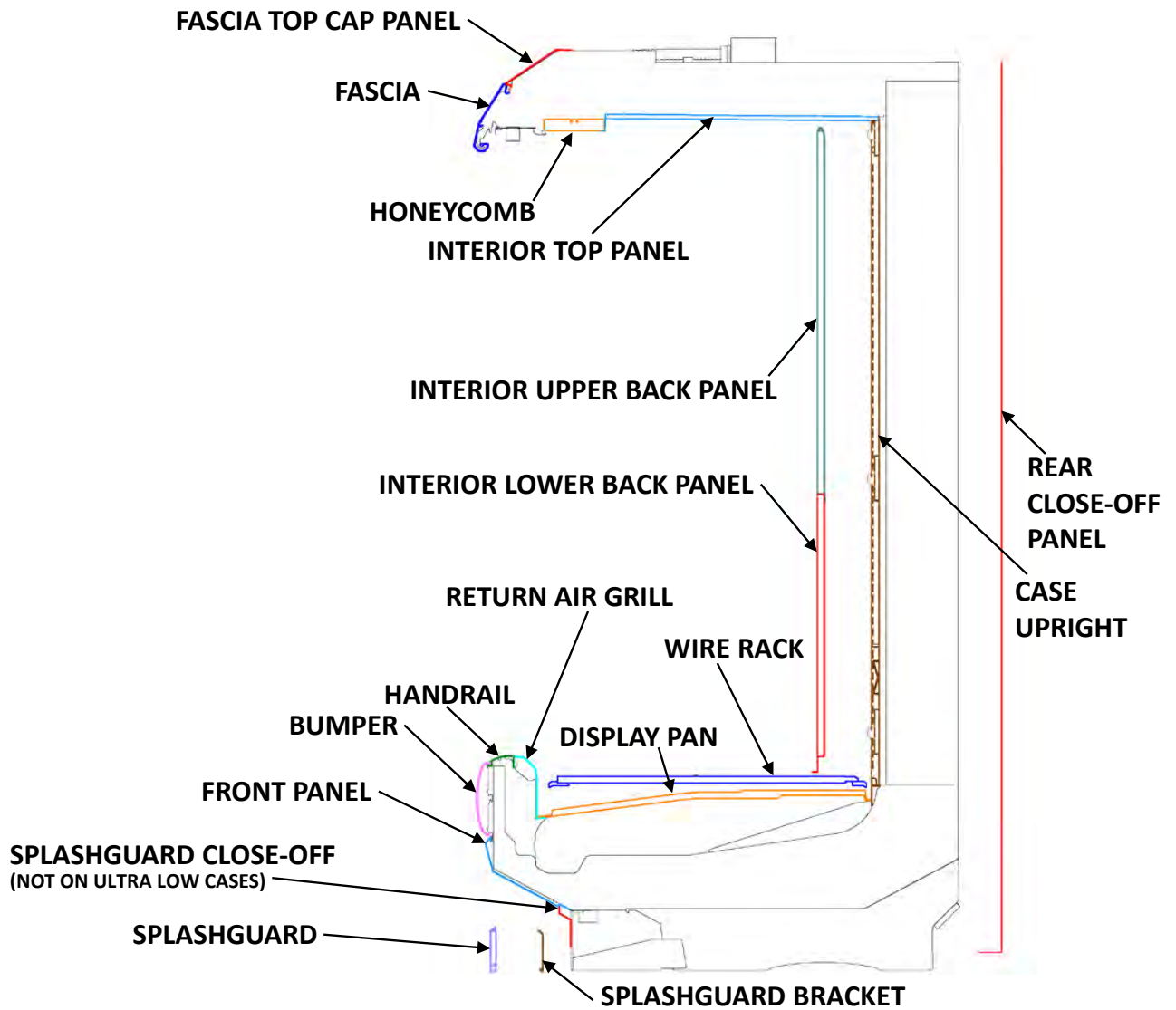
Questions about either code should be addressed to local agencies or other appropriate officials.

**Keep with merchandiser
or give to store manager.**

DO NOT DESTROY.

MAINTENANCE

IDENTIFICATION OF CASE PARTS

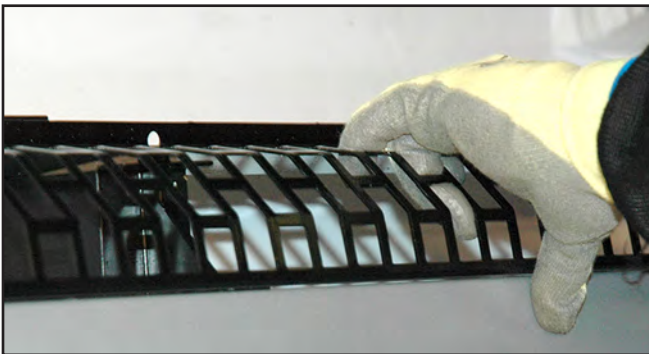


CARE AND CLEANING

Long life and satisfactory performance of any equipment is dependent upon the care it receives. To ensure long life, proper sanitation and minimum maintenance costs, these merchandisers should be thoroughly cleaned, all debris removed and the interiors washed down as part of a regular store sanitation schedule.

Removable Return Air Grilles

The return air grilles may be removed to facilitate cleaning. Lift a four foot section up and out as shown below.



Fan motor harness plug must be securely connected. Do not disconnect fan motor harness plug for cleaning or maintenance procedures.



Lift up Fan Plenum. Use chain to hook up fan plenum to facilitate cleaning.

Fascia Panels

The exterior of the fascia panels should be cleaned with a mild detergent and warm water.

Do not use ammonia-based products to clean optional acrylic panels. Never use abrasive cleansers or scouring pads.

Exterior Surfaces

The exterior surfaces must be cleaned with a mild detergent and warm water to protect and maintain their attractive finish.

NEVER USE ABRASIVE CLEANERS OR SCOURING PADS.

Interior Surfaces

The interior surfaces may be cleaned with most domestic detergents, ammonia based cleaners and sanitizing solutions will not harm the surface. Always read and follow the manufacturer's instructions when using any cleaning product.

Inspect all LED connections and plug/receptacles for signs of arcing. Replace any component that shows signs of arcing. Make sure all unused receptacles have close-off covers securely attached.

Do Not Use:

- Abrasive cleansers and scouring pads, as these will mar the finish.
- Coarse paper towels on coated glass.
- Ammonia-based cleaners on acrylic parts.
- Do not spray water from a hose directly on the canopy lights or fans.
- Solvent, oil or acidic based cleaners on any interior surfaces.
- A pressure nozzle on canopy lights, shelf lights or any other electrical connection. Do not use water pressure beyond what is supplied from the potable water system and spray nozzle (ie Do not use a pressure washer.)

Steps:

- First turn off refrigeration, then disconnect electrical power. Turn off case power at breaker. Make sure all unused light receptacles have their close-off covers securely attached.
- Remove the product and all loose debris to avoid clogging the waste outlet.
- Store product in a refrigerated area such as a cooler. Remove only as much product as can be taken to the cooler in a timely manner.
- Thoroughly clean all surfaces with soap and warm water. Do not use steam or high water pressure hoses to wash the interior. These will destroy the merchandisers' sealing causing leaks and poor performance.
- Lift hinged fan plenum for cleaning. Hook chain in rear panel to secure plenum during cleaning. Be sure to reposition the fan plenum after cleaning merchandiser.
- Take care to minimize direct contact between fan motors and cleaning or rinse water.
- Rinse with warm water, but do not flood. Never introduce water faster than the waste outlet can remove it.
- Allow merchandisers to dry before resuming operation.
- Wipe down lighted shelves with a damp sponge or cloth so that water does not enter the light channel.
- After cleaning is completed, turn on power to the merchandiser.

⚠ WARNING

- » Do NOT allow cleaning agent or cloth to contact food product.

⚠ WARNING

- » All case cleaning and maintenance procedures should be performed with the power disconnected at the breaker.

RECOMMENDED CLEANING INSTRUCTIONS

The directions below are recommended cleaning instructions for Insight cases and should not be used as a substitute for the store's regular maintenance schedule. Follow all local and national health codes. Cleanliness of the case encourages long-lasting life of the equipment. This guide lists some of the key areas of the cases that require cleaning to help maintain the overall appearance and performance of the equipment and keep it free of debris. The cases may need additional cleaning, especially in high traffic areas, dusty areas and during unusually extended periods of use of the equipment.

Rotate the type of detergent and sanitizer used. For example, rotate the use of an ammonia based, a chlorine based and/or a peroxide based detergent and sanitizer to ensure micro-organisms do not become resistant to a single detergent or sanitizer.

CLEANING INSTRUCTIONS**Weekly or Monthly**

1. Remove product; store it in another case or suitable walk-in cooler.
2. Remove wire racks and bottom pans. Cleaning them in the case with warm water and a soap solution, then rinse and set aside.
3. Turn off case power at breaker.
4. Flip up the fan plenum assembly to provide more room for cleaning in the case if necessary.
5. Remove all loose debris and food particles that may clog drain. Check drain to make sure it is not clogged. Do not force items down drain, use the drain catch to remove debris and dispose.
6. Remove honeycomb and price display molding.
7. Clean all surfaces including shelves and honeycomb by spraying down water (preferably warm) and mild detergent. Use a brush or cleaner pad if necessary to aid in penetrating dirt.
8. Rinse all surfaces with water, then spray with a sanitizer. Rinse off sanitizer with clean water using a hose. Allow surfaces to air dry, since wiping would defeat the purpose of sanitizing.
9. Replace all internal parts carefully so that they seat properly. This is necessary for proper case operation.
10. Turn ON power to the fans at breaker.
11. Replace product.

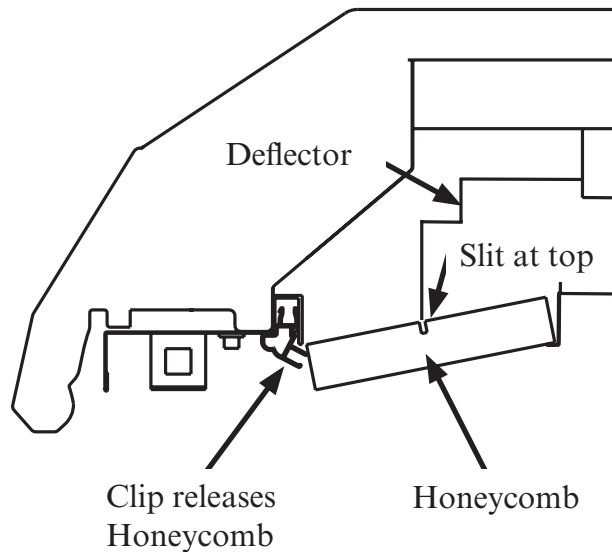
CLEANING INSTRUCTIONS
Quarterly or Semiannually

1. Remove product; store it in another case or suitable walk-in cooler.
2. Remove wire racks and bottom pans. Cleaning them in the case with warm water and a soap solution, then rinse and set aside.
3. Turn off case power at breaker.
4. Flip up the fan plenum assembly to provide more room for cleaning in the case if necessary.
4. Remove all loose debris and food particles that may clog drain. Check drain to make sure it is not clogged. Do not force items down drain, use the drain catch to remove debris and dispose.
5. Remove honeycomb and price display moulding.
6. Clean all surfaces including shelves and honeycomb by spraying down water (preferably warm) and mild detergent. Use a brush or cleaner pad if necessary to aid in penetrating dirt.
7. Remove all the shelves and set aside then remove the back panels.
8. Clean the backside of the back panels in the case as you remove them.
9. Clean the newly exposed surfaces and the coil by spraying down with water (preferably warm) and a mild detergent solution.
10. Rinse the newly exposed surfaces and the coil with water then spray with a sanitizer. Allow surfaces to air-dry, since wiping would defeat the purpose of sanitizing.
11. Replace the back panels and shelves.
12. Rinse all surfaces with water, then spray with a sanitizer. Allow surfaces to air-dry since wiping would defeat the purpose of sanitizing.
13. Replace all remaining internal parts carefully so that they seat properly. This is necessary for proper case operation.
14. Turn ON power to the fans at breaker.
15. Replace product.

CLEANING HONEYCOMB ASSEMBLIES

Honeycombs should be cleaned every six months, or depending on store environment the honeycombs may need to be cleaned more often. Dirty honeycombs will cause cases to perform poorly.

The honeycombs may be cleaned with a vacuum cleaner. Soap and water may be used if all water is removed from the honeycomb cells before replacing. Be careful not to damage the honeycombs.



Damaged honeycomb must be replaced.

1. Remove honeycomb by pulling clip as shown above.
2. Clean and dry the honeycomb.
3. Honeycomb is symmetrical.
3. After cleaning, replace honeycomb. Ensure clip is centered and engaged along full-length of honeycomb.

BOTTOM LINER REPAIR

Insight merchandisers have bottom liners, which are made of a high density polyethylene material (HDPE). Repairs may be made if the bottom liner becomes damaged. Follow the illustrations at right to repair the liner.

For minor repairs:

Minor repairs consist of deep scratches and tears that are no more than 1/8 inch thick.

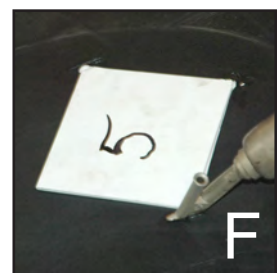
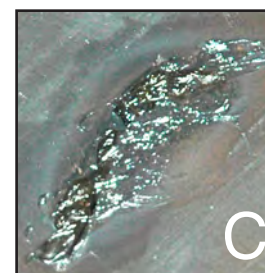
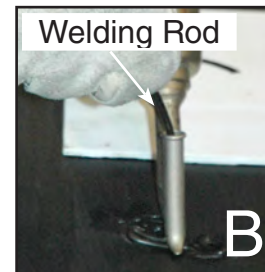
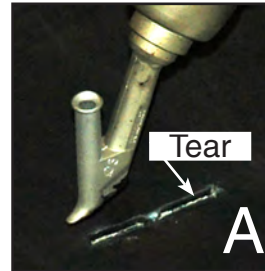
1. Remove all product, and disconnect power to the case that is to be serviced. Locate the damaged area of the liner. Clear and clean the area, then wipe it dry.
2. Use an electric hot air gun to heat the tear. **Heat to 600°F (316°C)**. Solder the tear with 1/8 inch filler welding rod, made from HDPE. Ensure no voids or skips in completed bead.
3. Let the area cool, then buff the area flat. A 5-inch, 80 grit disc works well for this. The repair is now complete.

For major repairs:

1. For repairs with larger size gashes or holes, a piece of HDPE may be cut into a square as shown in **(F)** at right. (The square HDPE shown in the photo is white for clarity.)
2. Remove all product and disconnect power to the case that is to be serviced. Locate the damaged area of the liner. Clear and clean the area, then wipe it dry. Ensure no voids or skips in completed bead.
3. The square is then tacked at all four corners using the hot air gun.
4. Solder with 1/8 inch filler welding rod around the perimeter of the HDPE square.
5. Buff the area flat if needed. The repair is now complete.



Forthoff Mini Electric Hot Air Gun
(120V 1300W)



⚠ WARNING

- » Always wear protective clothing when operating hot air gun, such as fire resistant gloves and arm guards. Hot air gun operates at extremely high temperature and could cause serious burns. Always have fire protective gear on hand in case of fire.

⚠ WARNING

— LOCK OUT / TAG OUT —

- » To avoid serious injury or death from electrical shock, always disconnect the electrical power at the breaker when servicing or replacing any electrical component. This includes, but is not limited to, such items as doors, lights, fans, heaters, and thermostats.

CLEANING COILS

NEVER USE SHARP OBJECTS AROUND COILS!

Use a soft brush or vacuum brush to clean debris from coils. *Do not puncture coils! Do not bend fins.* Contact an authorized service technician if a coil is punctured, cracked or otherwise damaged.

ICE in or on the coil indicates the refrigeration and defrost cycle is not operating properly. Contact an authorized service technician to determine the cause of icing, and to make adjustments as necessary. To maintain product integrity, move all product to a cooler until the unit has returned to normal operating temperatures.

- Do NOT use chlorine or ammonia-based cleaners to clean aluminum coils.

CLEANING STAINLESS STEEL FRONT RAILS

Use non-abrasive tools, and always polish with grain of the steel.

Use alkaline chlorinated or non-chlorine containing cleaners. Do not use cleaners containing salts as this may cause pitting and rusting of the stainless steel finish.

Clean frequently to avoid build-up of hard, stubborn stains. Rinse and wipe dry immediately after cleaning. Never use hydrochloric acid (muriatic acid) on stainless steel.

REMOVING SCRATCHES FROM BUMPER

Most scratches and dings can be removed using the following procedure.

- Use steel wool to smooth out the surface area of the bumper.
- Clean area.
- Apply vinyl or car wax and polish surface for a smooth glossy finish.

CLEANING UNDER MERCHANDISERS

Remove splashguards not sealed to floor. Use a vacuum with a long wand attachment to remove accumulated dust and debris from under the merchandiser.

WARNING

- » Do not use HOT water on COLD glass surfaces. This can cause the glass to shatter and could result in personal injury. Allow glass fronts, ends and service doors to warm before applying hot water.

CLEANING MIRRORS

Mirrors are sheets of clear glass that have very thin reflective and protective coatings applied to one side. These coatings are susceptible to deterioration if certain cleaning solutions and even water are allowed to come in contact with them. Every precaution should be taken to keep all liquids away from the coated side of the mirrors. **IF LIQUIDS ARE ALLOWED TO FLOW ALONG THE FACE SIDE OF THE MIRROR TO ITS EDGE, THE LIQUID CAN SEEP UP BETWEEN THE COATING AND THE GLASS, CAUSING SERIOUS DAMAGE.**

To Help Prolong the Life of the Mirrors:

- Use only mild cleaning solutions that do not leave residue, such as a weak (10%) solution of vinegar and water.
- Do NOT spray liquids on the mirrors. Away from food, dampen the cleaning cloth, then use the cloth to wipe the mirror.
- Wipe water from the mirrors immediately to prevent difficult to remove water spots and also to prevent the water from reaching the mirror's edge.
- Never use dirty cloths, scrapers or any other abrasive materials for cleaning.

⚠ WARNING

- » Product will be degraded and may spoil if allowed to sit in a non-refrigerated area.
- » All products in the case should be removed and stored in a cooler at the appropriate temperature before cleaning the interior of the case.

REMOVING INTERIOR BACK PANELS

The interior back panels may be removed for cleaning and to gain access to the evaporator coils. Remove the rear interior back panels as follows:

1. Disconnect the electrical power to the merchandiser.
2. Unplug shelf lights and insert plastic protective cap. Remove shelving.
3. Remove the lower panel first: lift the panel up, then pull forward and out.
4. Remove the top panel.



5. Replace panels in reverse order, starting with the top panel.

SERVICE

Before Beginning Any Service or Repair:

Use a hand-held propane leak detector (“sniffer”) to ensure no propane is present in the immediate area, the inside of the display case and the inside of the refrigeration system. Keep the area clear of all customers and non-essential or unauthorized personnel.

Verify that all repair parts are identical models to the ones they are replacing. Failure to do so can result in an explosion, death, injury and property damage.

Brazing must not begin before all propane has been cleared from the immediate area, the inside of the displays case and the inside of the refrigeration system.

If a leak is detected, follow store safety procedures.

It is the store’s responsibility to have a written safety procedures in place. The safety procedure must comply with all applicable codes such as local fire department’s codes. At minimum, the following actions are required:

- Immediately evacuate all persons from the store, and contact the local fire department to advise them that a propane leak has occurred.
- Call Hussmann and/or a qualified service agent and inform them that a propane sensor has detected the presence of propane.
- Do not let any persons back into the store until the qualified service technician has arrived and that technician advises that it is safe to return to the store.

DANGER

- » Only Hussmann service technicians or technicians qualified to handle R-290 (propane) refrigerant should service or repair this R-290 (propane) equipment. Failure to follow instructions can result in an explosion, death, injury and property damage.

- The propane gas used in the unit has no odor. The lack of smell does not indicate a lack of escaped gas.
- A hand-held propane leak detector (“sniffer”) should be used before any repair and/or maintenance is attempted. All repair parts must be identical models to the ones they are replacing.
- No open flames, cigarettes or other possible sources of ignition should be used inside the building where the units are located until the qualified service technician and/or local fire de-partment determines that all propane has been cleared from the area and from the refrigeration systems.

REPLACING REFRIGERATION SYSTEM COMPONENTS

! DANGER

- » Only Hussmann service technicians or technicians qualified to handle R-290 (propane) refrigerant should service or repair this R-290 (propane) equipment. Failure to follow instructions can result in an explosion, death, injury and property damage.

CLEANING AND FLUSHING

See Section 2, Page 2-17.

STEPS TO RECOVER REFRIGERANT

1. Make sure you are in a well ventilated area before making any service or repair to the refrigeration system.
2. Disconnect all power sources from the system. Some systems may have more than one plug or power supply.
3. Tap system with line tap valves, attaching gauges to the high and low sides of the system.



**refrigeration
line tapping
valve**

4. Connect hose to an evacuated recovery tank. Open refrigeration gauges and recovery tank.

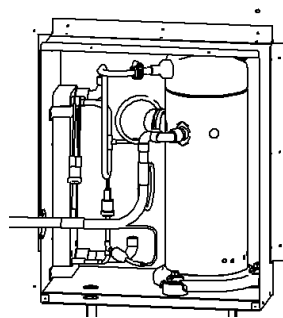


5. With the suction valve in vacuum, the refrigerant will be recovered into the recovery tank.
6. Once recovered, close the tank valve and remove the gauge from the tank and connect nitrogen tank to the system to purge it with nitrogen.
7. Pull vacuum to a minimum of 200 microns or lower.

REPLACING FILTER DRIER AND CAPILLARY TUBE

Use only Hussmann approved replacement parts. Use of unapproved parts may cause poor case performance.

Filter drier should be horizontal. If original filter drier is not in a horizontal position, an additional elbow fitting may be installed between the heat exchanger and filter drier.



CHARGING

A calibrated scale with ± 2 gram accuracy must be used to charge the system. The charge amount is shown on the serial plate. No gas charge adjustments are allowed. When connecting hoses between the refrigeration system, manifold gauges, and refrigerant cylinder, ensure that the connections are secure and there are no potential sources of ignition nearby. Ensure that contamination of different refrigerants does not occur when using charging equipment. Use dedicated hoses to service R-290 (propane) refrigeration systems. Hoses or lines should be as short as possible to minimize the amount of refrigerant contained in them. Ensure that the refrigeration system is properly grounded prior to charging the system with refrigerant to avoid the potential for static build-up.

Extreme care must be taken to not overfill the refrigeration system. After charging, carefully disconnect the hoses; try to minimize the amount of refrigerant that is released. Further leak check the service ports, hoses, refrigerant tanks. The service ports shall be checked for leaks using a hydrocarbon leak detector with a sensitivity of 3 grams/year (0.106 oz/year) leak rate.



Once it is ensured that the service port does not leak, braze it closed. Remove all service ports. If a Schrader valve was used on the compressor service tube, it must be removed and the previous steps followed to braze the service tube shut.

⚠ WARNING

- » Follow leak check procedures carefully in order to ensure service tubes are not leaking before brazing.

SHARKBITE FITTING CONNECTION INSTRUCTIONS

Connecting a SharkBite Joint

The following instructions must be followed to assemble the SharkBite Connection System.

Preparation

Select the correct size fitting and pipe for the job. Check that fittings and pipe are clean, in good condition and are free from damage and foreign objects. Also check that the pipe is round, and free from scratches, cuts, or gouges. Cut the pipe so that the ends are square. Ensure that there are no burrs or damage to the cut end. Wherever possible proper pipe cutting tools such as rotary pipe cutters (copper tubing) or pipe shears (for plastic pipe) should be used.

Once the pipe end is cut square and clean, use the SharkBite Depth Deburr Gauge (sold separately) and a permanent marker to mark the insert depth on the outside of the pipe. This mark is used to ensure that the joint is assembled correctly. To assemble correctly, the pipe needs to be pushed into the fitting until it meets the tube stop. Follow these three steps to insert the pipe into the fitting.



1. Insert the pipe through the release collar to rest against the grab ring.
2. Push the pipe firmly with a slight twisting action until it reaches the tube stop.
3. To ensure that the pipe is correctly inserted, check that the depth mark is within 0.005 in (0.13 mm) of the end of the release collar



Cut:
Cut the pipe square removing rough edges and debris. Mark the pipe to the correct insertion depth.



Push:
Push pipe and fitting together up to the depth mark.



Done.



*Using the disconnect clip, fittings can be easily changed.

Pipe Insertion Depth

SharkBite Fitting Size	Nominal Pipe Size	Pipe OD	Pipe Insertion Depth IN	Pipe Insertion Depth MM
1/4 in.	1/4 in. CTS	3/8 in.	0.82	21
3/8 in.	3/8 in. CTS	1/2 in.	0.94	24
1/2 in.	1/2 in. CTS	5/8 in.	0.95	24
5/8 in.	5/8 in. CTS	3/4 in.	1.13	29
1 in.	1 in. CTS	1-1/8 in.	1.31	33
1-1/4 in.	1-1/4 in. CTS	1-3/8 in.	1.88	48
1-1/2 in.	1-1/2 in. CTS	1-5/8 in.	2.05	52
2 in.	2 in. CTS	2-1/8 in.	2.19	56

<https://www.sharkbite.com/us/en>

SHARKBITE FITTING DISCONNECTION INSTRUCTIONS

Disconnecting a SharkBite Joint

Disconnection of the joint can only occur by using either the SharkBite disconnect clip or the SharkBite disconnect tongs. By applying pressure to the release collar with the clip or the disconnect tongs, the grab ring teeth are splayed. This action releases the pipe, allowing it to be removed from the fitting.



1. Place the SharkBite disconnect clip around the pipe with the non-branded face against the release collar. If using the SharkBite disconnect tongs, place the teeth around the fitting assembly. The fork end with the SharkBite brand logo should be positioned around the pipe and the other end around the neck of the fitting.
2. Push the clip against the release collar and pull the pipe with a twisting action to release the pipe. If using the SharkBite disconnect tongs, squeeze the tool with one hand and pull the pipe with a twisting action to release the pipe.
3. Check the fitting and pipe end for damage. The fitting and pipe should be free of damage, foreign objects and marks on the outside diameter. If the pipe is damaged or marked, then cut and use a new section of pipe.

Threaded Connectors

Teflon tape should be used with threaded SharkBite connectors to make a proper seal.

Galvanized Tubing

SharkBite Universal fittings should not be installed (threaded or push-to-connect) on galvanized tubing.

SharkBite Soldering

When soldering is required near a SharkBite Universal connection, make all solder joints first and then make the SharkBite connections. Flame can cause the pipe to reach high temperatures and should not be used close to a SharkBite Universal fitting.

SharkBite Fitting Reuse

SharkBite Universal fittings are intended to be a permanent connection and are not designed for repeated connection and disconnection after the initial install. If a fitting is installed incorrectly it can be removed given that proper care is taken, as detailed in the following steps.

1. SharkBite disconnect tongs or SharkBite disconnect clips must be used when removing the fittings.
2. The fitting must be inspected by the installer and be free of damage and debris.

3. The initial pipe and the new pipe must be clean and free from scratches and burrs.
4. The insertion depth must be marked on the pipe.
5. The connection must be pressure tested and inspected by the installer to verify that there are no leaks.

Working Pressure and Temperature

SharkBite Universal fittings have a maximum temperature of 200°F maximum pressure 200 psi when used on copper pipe. When used on PVC, CPVC, PEX, PE-RT or HDPE refer to the maximum pressure temperature rating of the pipe.

PEX Stiffeners

SharkBite Universal fittings (3/8" to 1") come with an Integral PEX Stiffener. 1/4" (3/8" OD) fittings do not require PEX stiffeners. PEX Stiffener are required for PEX, PE-RT and HDPE pipe. 2XL PEX Stiffeners sold separately.

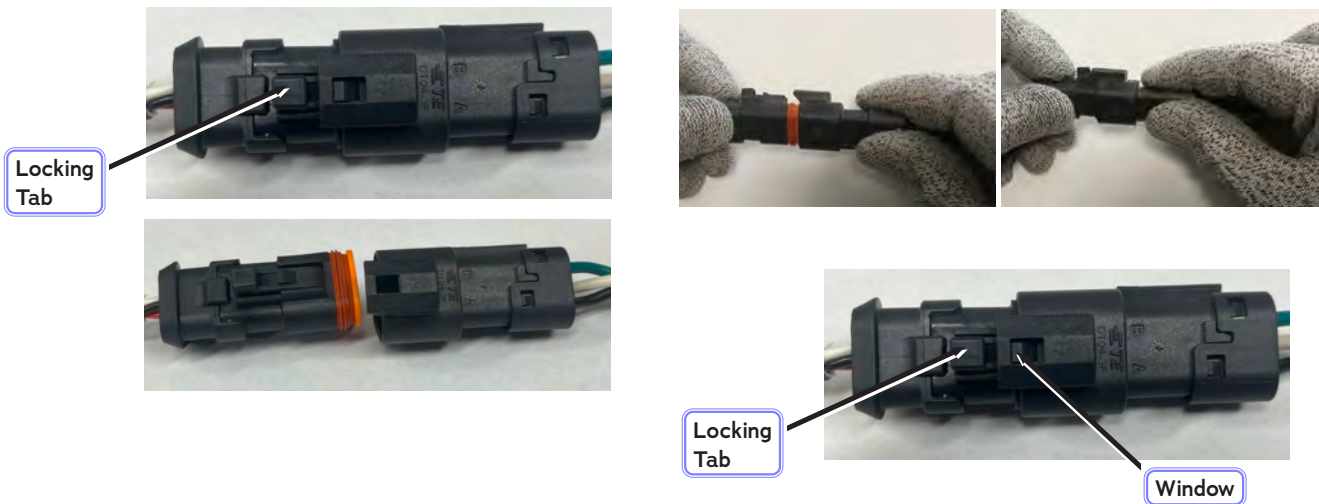
REPLACING FAN MOTORS

See Appendix for separate fan motor replacement instructions if motor harness connector is different than the one shown below.

Should it ever be necessary to service or replace the fan motors or blades, be certain that the fan blades are reinstalled correctly.

To access and replace fan motor:

1. Turn off case power at breaker.
2. Remove bottom display pans.
3. Unpack new motor/harness assembly and set aside outside of case.
4. Remove screws holding existing fan motor bracket assembly to plenum, and remove assembly from plenum.
5. Disengage and unplug existing motor harness connector; remove existing motor.
 - A. Grasp the plug and receptacle, and apply slight pressure to pull apart. The connector should not separate without depressing the locking tab.
6. Taking care to avoid any existing moisture in the case, IMMEDIATELY connect and lock new motor harness as follows:
 - A. Align the plug and receptacle, and push together until the locking tab engages. (Locking tab must engage in the window of receptacle and not separate.)



⚠ WARNING

— LOCK OUT / TAG OUT —

- » To avoid serious injury or death from electrical shock, always disconnect the electrical power at the main disconnect when servicing or replacing any electrical component. This includes, but is not limited to, such items as doors, lights, fans, heaters, and thermostats.

7. Place new fan motor assembly back into plenum, and reinstall screws to secure.
8. Turn on power.
9. Verify that motor is working and blade is turning in the correct direction.
10. Close air gaps under fan plenum. Warmer air moving into refrigerated air reduces effective cooling. If the plenum does not rest against the case bottom without gaps, apply foam tape to the bottom of the fan plenum to reduce improper air movement. Use silicone sealant to close other gaps.
11. Replace display pans. Bring merchandiser to operating temperature before restocking.



! WARNING

» STOP - DO NOT UNPLUG

- » The fan motor harness plug **MUST** be properly secured in order to perform at its IP68 rating. This connection should **ONLY** be disconnected / connected by a qualified contractor and **ONLY** in the event of a fan motor replacement. The fan motor harness plug should not be disconnected/connected in performing any other cleaning, service or repair. Refer to the installation, operation and services manual for sequence of repair. All case cleaning & maintenance procedures should be performed with the power disconnected at the breaker. Failure to adhere to these instructions can lead to damage to the unit and creates a risk of flammability.

REPAIRING ALUMINUM COIL

! DANGER

» Due to risk of ignition resulting from incorrect parts or improper service, only Hussmann authorized personnel may service this equipment. Component parts shall be replaced only with like components. FAILURE TO USE AUTHORIZED TECHNICIANS COULD RESULT IN EXPLOSION, DEATH, INJURY AND PROPERTY DAMAGE.

The aluminum coils used in Hussmann merchandisers may be field repaired. Materials are available from local refrigeration wholesalers. As discussed in the previous section, good refrigeration practice must be followed when servicing R-290 (propane) equipment. However, because R-290 (propane) is flammable, there are some important differences. Please refer to the previous section about ignition sources, system purging, leak testing, evacuation and charging. All these procedures must be followed when attempting to repair aluminum coil.

Hussmann recommends the following solders and technique:

Solders

Aladdin Welding Products Inc.
P.O. Box 7188
1300 Burton St.
Grand Rapids, MI 49507
Phone: 1-800-645-3413
Fax: 1-800-645-3414

X-Ergon

1570 E. Northgate
P.O. Box 2102 Irving, TX 75062
Phone: 1-800-527-9916

NOTE:

Aladdin 3-in-1 rod melts at 732°F (389°C)
X-Ergon Acid core melts at 455°F (235°C)

Technique:

1. Locate Leak.
2. REMOVE ALL PRESSURE.
3. Brush area UNDER HEAT.
4. Use PRESTOLITE TORCH ONLY.
Number 6 tip.
5. Maintain separate set of stainless steel brushes and USE ONLY ON ALUMINUM.
6. Tin surface around area.
7. Brush tinned surface UNDER HEAT, thoroughly filling the open pores around leak.
8. Repair leak. Let aluminum melt solder, NOT the torch.
9. Don't repair for looks. Go for thickness.
10. Perform a leak check.
11. Wash with water.
12. Cover with a good flexible sealant such as butyl. **NO SILICONE BASED SEALANT MAY BE USED.**



HUSSMANN[®]

To obtain warranty information or other support, contact your Hussmann representative or visit:
<https://www.hussmann.com/services/warranty>.

Please include the model and serial number of the product.

For questions about your equipment please contact our Technical Support Team 866-785-8499

For General Support or Service Calls contact our Customer Support Call Center 800-922-1919

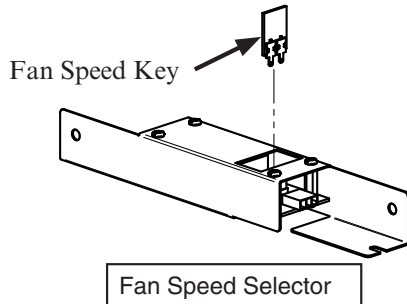
For ordering Aftermarket Warranty Parts 1-855-Huss-Prt (1-855-487-7778)
Hussmann_part_warranty@hussmann.com

APPENDIX

REPLACING FAN MOTORS

(For fan motors with locking harness connector)

Fan control electronics are electrostatic sensitive (ESD). If the case is equipped with an optional fan speed selector (FSS), use a grounding kit before handling.



WARNING

— LOCK OUT / TAG OUT —

» To avoid serious injury or death from electrical shock, always disconnect the electrical power at the main disconnect when servicing or replacing any electrical component. This includes, but is not limited to, such items as doors, lights, fans, heaters, and thermostats.

See cross section for location of evaporator fans. Should it ever be necessary to service or replace the fan motors or blades be certain that the fan blades are re-installed correctly.

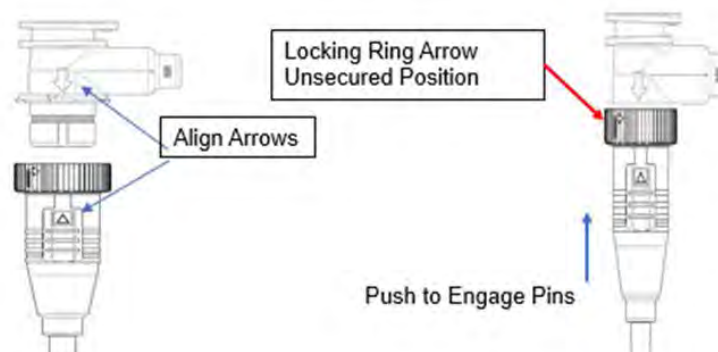
To access and replace fan motor:

1. Turn off case power at breaker.
2. Remove bottom display pans.
3. Unpack new motor/harness assembly and set aside outside of case.
4. Remove screws holding existing fan motor bracket assembly to plenum, and remove assembly from plenum.
5. Unlock and Unplug existing motor harness from harness; remove existing motor.
 - A. Rotate locking ring counterclockwise to unlock.
 - B. Pull connector straight out to disengage.
6. Taking care to avoid any existing moisture in the case, IMMEDIATELY connect and lock new motor harness as follows:



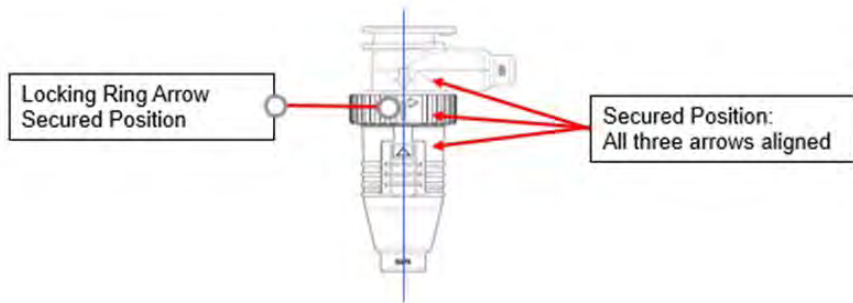
Correct connection procedure for main fan motor harness connector:

- A. Align arrows and push connector into position.
- B. Rotate locking ring until all three arrows are aligned in the secured position.



C. Push straight in to engage pins.

D. Turn locking ring until all three arrows are aligned.



Remember. Push to engage, then twist to secure.

⚠ WARNING

STOP - DO NOT UNPLUG

The fan motor harness plug **MUST** be properly secured in order to perform at its IP67 rating. The component is a twist lock style connector with an alignment arrow to validate a secure connection. This connection should **ONLY** be disconnected / connected by a qualified contractor and **ONLY** in the event of a fan motor replacement. The fan motor harness plug should not be disconnected/connected in performing any other cleaning, service or repair. Refer to the installation, operation and services manual for sequence of repair. All case cleaning & maintenance procedures should be performed with the power disconnected at the breaker. Failure to adhere to these instructions can lead to damage to the unit and creates a risk of flammability.

7. Place new fan motor assembly back into plenum, and reinstall screws to secure.
8. Turn on power.
9. Verify that motor is working and blade is turning in the correct direction.
10. Close air gaps under fan plenum. Warmer air moving into refrigerated air reduces effective cooling. If the plenum does not rest against the case bottom without gaps, apply foam tape to the bottom of the fan plenum to reduce improper air movement. Use silicone sealant to close other gaps.
11. Replace display pans. Bring merchandiser to operating temperature before restocking.

HANDLING ELECTROSTATIC SENSITIVE DEVICES (FAN SELECTOR)

For cases manufactured before September 27th, 2023.

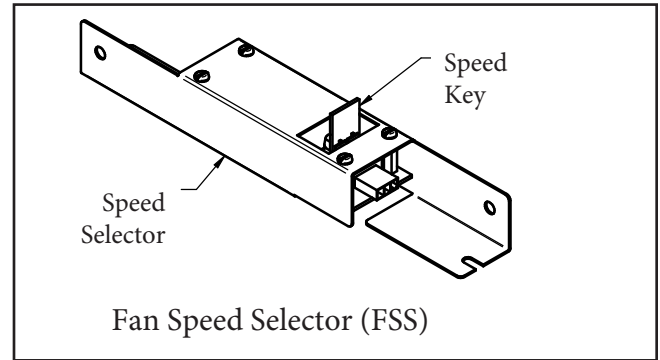
Some Insight merchandisers are equipped with a fan speed selector to optimize fan speeds and enhance energy performance. The electronics may be standard or later installed to the cases as a kit. These electronics consist of an input in the motor, and a controller with a key that allows fan speeds to be changed. (Only a professional technician should make any changes to the fan speeds.) A different speed key may need to be ordered to change the fan speed. Contact your Hussmann representative to learn and order what speed key is appropriate for your products.

ESD (electrostatic discharge) sensitive device. Charged devices and circuit boards can discharge without detection. Although this product contains protection circuitry, damage may occur on devices subjected to high energy ESD. Proper precautions should be taken to avoid loss of functionality.

A field grounding kit is recommended for installation of components from a kit or for field service work performed by internal service personnel. The following equipment is recommended for work being performed in the case:



Example of Grounding Kit
3M 8507 with audible alarm



DO:

- Minimize handling.
- Keep parts in original packaging until ready for use.
- Store and carry components in Original Manufacture Packaging or equivalent Static shielding bags.
- Discharge static before handling device by touching nearby grounded surface.
- Handle devices by the body.
- Keep a dust free work area.

DON'T:

- Touch the leads of any device.
- Slide ES Sensitive devices over any surface.
- Store or carry components or assemblies in plastic bags.
- Store sensitive components in thermocole/ plastic foam.

Field Ground Kit with instructions for use
Recommended Suppliers/Distributors of
Equipment:

DESCO Industries
Part Numbers (18575 or 18576 or 95651)

3M Corporation
Part Numbers (8501 or 8505 or 8507 or
FSKL3RD)

Amazon, DigiKey, Grainger, Mouser, Newark.
Search under ESD Service Kits.

INSTALLING TYPE II FAN SPEED SELECTOR KIT

A fan speed selector may be required for a merchandiser to operate for certain applications such as Type II conditions. However, if the speed key is removed, the fans will return to the default fan speed, which typically aligns with Type I operation. Each key is configured from the factory to operate for the specific model for which it was ordered.

ANSI/NSF-7 Type II – Display Refrigerator / Freezer Intended for 80°F / 55%RH Ambient Application

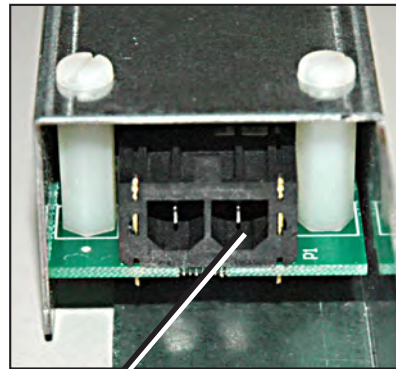
Contact your Hussmann representative to order this kit if the cases in your lineup are required to operate in Type II conditions. The selector will operate up to 6 fan motors. Only an experienced electrician should install the fan selector.

1. Mount the selector inside of the wireway of each case. Insert the speed key into the selector. Insert harness connector (2-pin) into the Selector. The 2-pin side supplies power to the selector. It can be used with 110V or 220V circuits.
2. Insert the harness connector (3-pin) into the selector. The 3-pin side sends a signal to the fan motor and the fan speed RPM is now changed to the new setting.

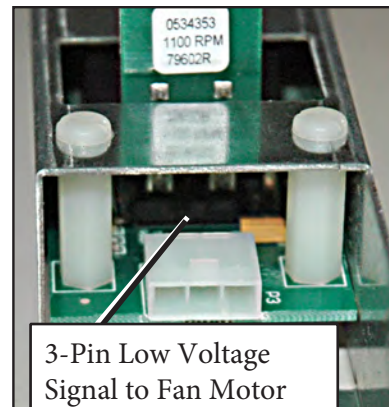
⚠ WARNING

— LOCK OUT / TAG OUT —

- » To avoid serious injury or death from electrical shock, always disconnect the electrical power at the main disconnect when servicing or replacing any electrical component. This includes, but is not limited to, such items as doors, lights, fans, heaters, and thermostats.

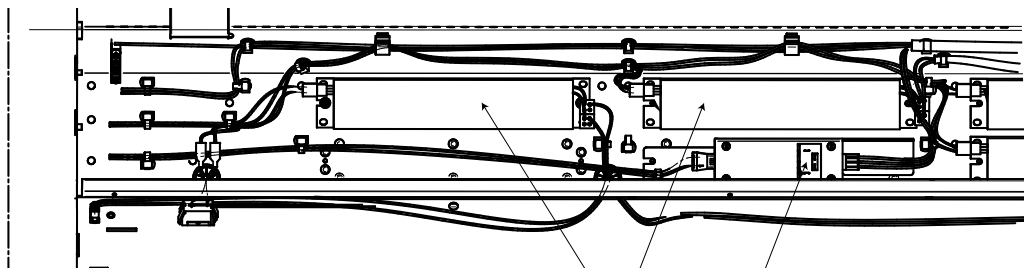


2-Pin Input Line Voltage to Selector



3-Pin Low Voltage Signal to Fan Motor (for RPM Speed)

Fan Speed Selector Harness Routing Tall Multi-Deck (when required)



LED Power Supply

Fan Speed Selector (FSS)