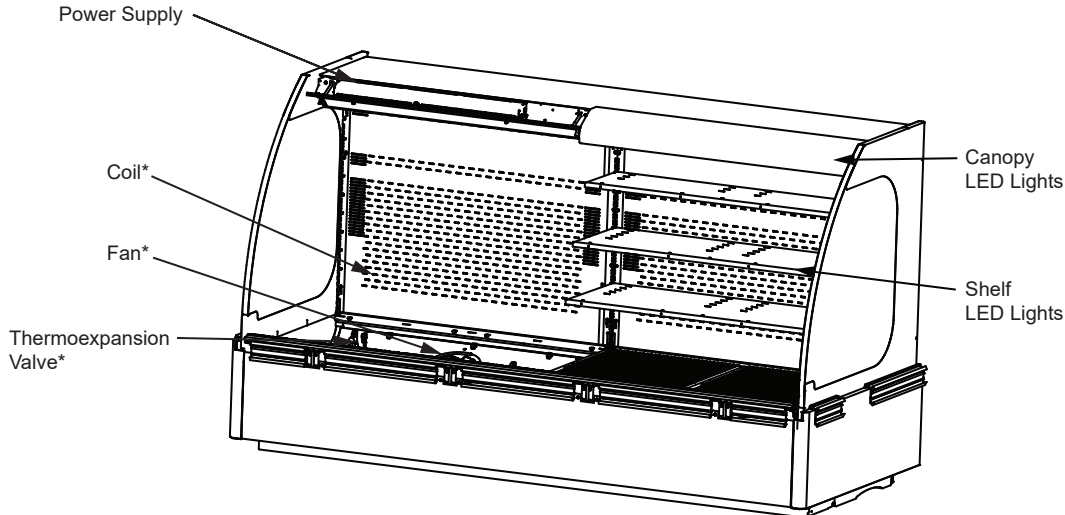


*Insight standard field electrical connections are at the bottom of the merchandiser*

**DOE 2017**  
Energy Efficiency  
Compliant



\*Coils, fans and TXVs are modular with one per 3 or 4 foot section.

Portion of parts removed for clarity.

8 foot merchandiser shown.

### NSF Certification

This merchandiser model is manufactured to meet NSF/ANSI (National Sanitation Foundation) Standard #7 requirements for construction, materials and cleanability.

|                                |        |   |         |
|--------------------------------|--------|---|---------|
| Performance Data               | Page 2 | Estimated Shipping Weights                  | Page 6  |
| Product Data (AHRI Statistics) | Page 2 | Shelf Options                               | Page 6  |
| Cross Section                  | Page 3 | Replacement Parts List                      | Page 7  |
| Plan View                      | Page 4 | Wiring Diagrams                             | Page 8  |
| Electrical Loads               | Page 5 | Computing Refrigeration and Electrical Load | Page 10 |
|                                |        | Revision History                            | Page 10 |

Data sheet-Insight IC2XSL-E

We reserve the right to change or revise specifications and product design in connection with any feature of our products. Such changes do not entitle the buyer to corresponding changes, improvements, additions or replacements for equipment previously sold or shipped.

**Insight IC2XSL-E**  
Dairy / Delicatessen / Meat

**Refrigeration Data <sup>1</sup>**

| IC2XSL-E               |   | Optimal Shelf Life                  |                       |                                    | Energy Comparison                      |
|------------------------|---|-------------------------------------|-----------------------|------------------------------------|--|
| Application            |   | Dairy/Deli/<br>Beverage/<br>Produce | Convertible /<br>Meat | NSF Type 2<br>Ambient <sup>3</sup> | AHRI 1200<br>Rating Point <sup>4</sup> |
| Unlit<br>Shelves       | Discharge Air °F (°C)                           | 32 (0)                              | 31 (-0.55)            | 30 (-1.11)                         | 34 (1.11)                              |
|                        | Average Evaporator °F (°C) <sup>2</sup>         | 28 (-2.22)                          | 27 (-2.77)            | 26 (-3.33)                         | 30 (-1.11)                             |
|                        | Parallel Btu/hr/ft (Watts/m) <sup>5</sup>       | 765 (736)                           | 780 (750)             | 905 (870)                          | 675 (649)                              |
|                        | Conventional Btu/hr/ft (Watts/m) <sup>5</sup>   | 835 (803)                           | 850 (818)             | 985 (947)                          | 735 (707)                              |
| Lit<br>Shelves         | Discharge Air °F (°C)                           | 31 (-0.55)                          | 30 (-1.11)            | 29 (-1.66)                         | 33 (0.55)                              |
|                        | Average Evaporator °F (°C) <sup>2</sup>         | 27 (-2.77)                          | 26 (-3.33)            | 25 (-3.88)                         | 29 (-1.66)                             |
|                        | Parallel Btu/hr/ft (Watts/m) <sup>5,6</sup>     | 780 (750)                           | 795 (765)             | 925 (889)                          | 685 (659)                              |
|                        | Conventional Btu/hr/ft (Watts/m) <sup>5,6</sup> | 850 (818)                           | 865 (832)             | 1000 (962)                         | 745 (717)                              |
| Fan Speed <sup>7</sup> | IC2XSL-E8 (7.0")                                | 1600                                | 1700 <sup>7</sup>     | 1700 <sup>7</sup>                  | 1600                                   |

Notes:

- All data based on store temperature and humidity that does not exceed NSF Type 1 ambient conditions of 75°F and 55% relative humidity except where noted.
- Average evaporator temperature shown. Use dew point for high glide refrigerants for unit sizing. Care should be taken to use the dew point in PT tables for measuring and adjusting superheat. Adjust evaporator pressure as needed to maintain discharge air temperature shown.
- Data for operation in NSF Type 2 ambient of 80°F and 55% relative humidity.
- AHRI 1200 Rating Point for energy consumption comparison only.
- Subtract 120 Btu/hr/ft (115.4 Watts/m) for front glass (on applicable models).
- Add 10 Btu/hr/ft (9.6 Watts/m) per shelf row for LED shelf light fixtures.
- Some lengths and/or applications require optional fan speed control kits applied by the Hussmann Product Configurator.

**Defrost Data**

|   |                             |
|---|-----------------------------|
| <b>Frequency</b> (hours between defrost)                              | 4                           |
| <b>Defrost Water</b> <sup>8</sup>                                     | 5.1 lb/ft/day<br>(7.6 kg/m) |
| <sup>8</sup> (± 15% based on case configuration and product loading). |                             |
| <b>OFFTIME</b>  | <b>IC2XSL-E</b>             |
| <b>Time (minutes)</b>   | 20                          |
| <b>ELECTRIC OR GAS</b>  | Not Available               |

**Conventional Controls**

|  |
|--|
| <b>IC2XSL-E</b>  |
| <b>Low Pressure Backup Control CI/CO</b> <sup>9</sup>              |
| 20°F /10°F<br>-6.7°C / -12.2°C                                     |
| <b>Indoor Unit Only, Pressure Defrost Termination</b> <sup>9</sup> |
| 48°F (8.9°C)   |

<sup>9</sup> Use a Temperature Pressure Chart to determine PSIG conversions.

**Estimated Charge <sup>10</sup> IC2XSL-E**

|             |               |              |               |
|-------------|---------------|--------------|---------------|
| <b>8 ft</b> | <b>1.5 lb</b> | <b>24 oz</b> | <b>0.7 kg</b> |
|-------------|---------------|--------------|---------------|

<sup>10</sup> This is an average for all refrigerant types. Actual refrigerant charge may vary by approximately half a pound.

**Product Data**

|   |   |
|---|---|
| <b>Gross Refrigerated Volume</b> <sup>11</sup> (Cu Ft/Ft) | 4.9 ft <sup>3</sup> /ft (0.46 m <sup>3</sup> /m)  |
| <b>AHRI Total Display Area</b> <sup>12</sup> (Sq Ft/Ft)   | 3.33 ft <sup>2</sup> /ft (1.01 m <sup>2</sup> /m) |
| <b>Shelf Area</b> <sup>13</sup> (Sq Ft/Ft)                | 6.38 ft <sup>2</sup> /ft (1.94 m <sup>2</sup> /m) |

<sup>11</sup> AHRI Gross Refrigerated Volume: Refrigerated Volume/Unit of Length, ft<sup>3</sup>/ft [m<sup>3</sup>/m]

<sup>12</sup> Computed using AHRI 1200 standard methodology: Total Display Area, ft<sup>2</sup> [m<sup>2</sup>]/Unit of Length, ft [m]

<sup>13</sup> Shelf surface area is composed of bottom deck plus standard shelf complement for this model: (3) rows of shelves: 12-in., 16-in., 18-in.

Insight Multideck Merchandiser, Multi-deck,  
4 Display Levels, Low Height Front, 58 in. Back

**Insight IC2XSL-E**  
Dairy / Delicatessen / Meat

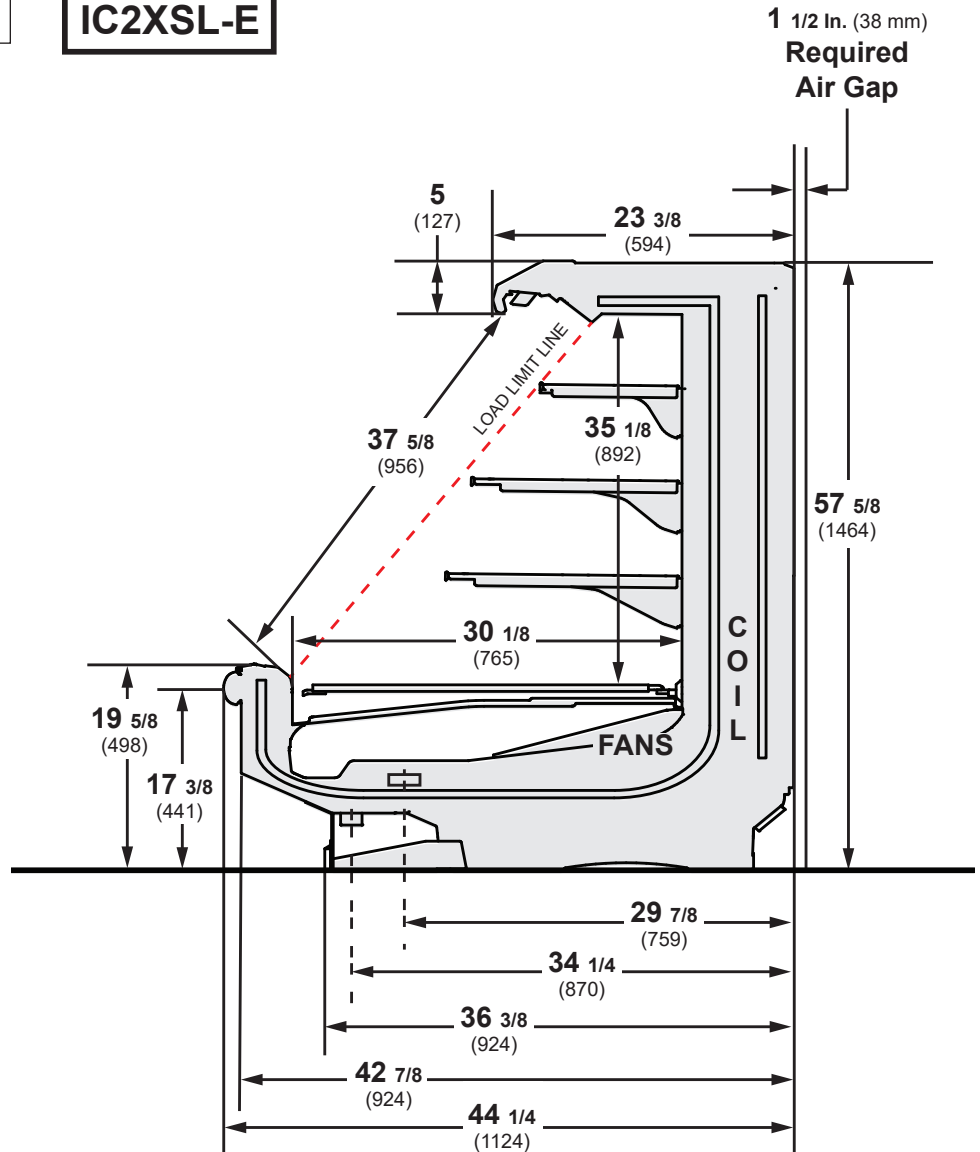
**DOE 2017**  
Energy Efficiency  
Compliant

Husmann refrigerated merchandisers configured for sale for use in the United States meet or surpass the requirements of the DOE 2017 energy efficiency standards.

Shelf complement shown as tested:  
  
Three rows of shelves (12", 16", 18") spaced equally between bottom display pan and interior top panel.

**IC2XSL-E**

Dimensions shown as in. and (mm).



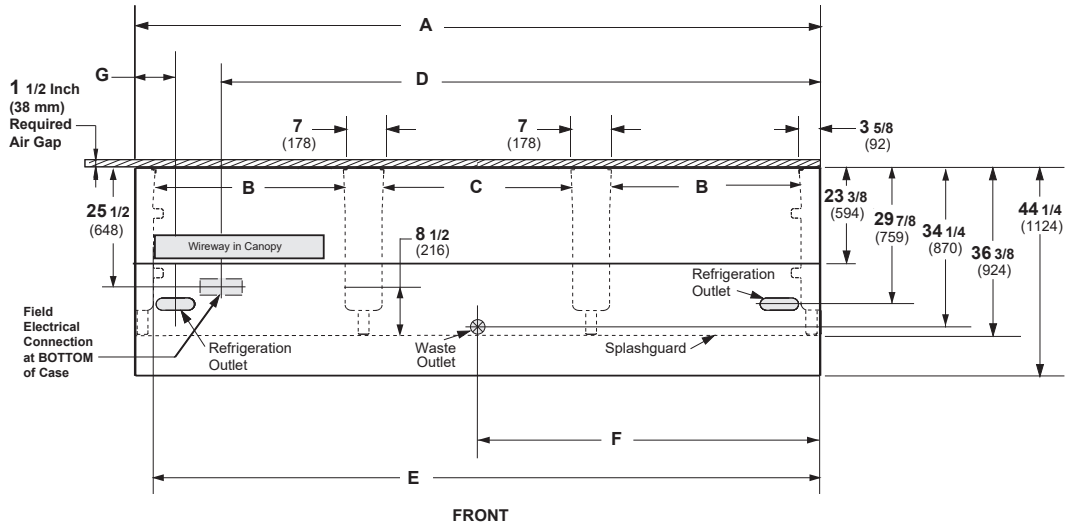
**NSF Certification**

This merchandiser model is manufactured to meet NSF/ANSI (National Sanitation Foundation) Standard #7 requirements for construction, materials and cleanability.

# Engineering Plan View

Dimensions shown as in. and (mm).

## IC2XSL-E



(8 Foot Model shown above)

|   | <b>8 ft</b>   |
|---|---------------|
| <b>General</b>  |               |
| (A) Case Length (without ends or partitions) (Each end and insulated partition adds 1 1/2 in. (38 mm) to case line up.) | 96 1/4 (2445) |
| Maximum O/S dimension of case back to front (includes bumper)   | 44 3/8 (1127) |
| Back of case to front of splashguard  | 36 3/8 (924)  |
| (B) Distance between edges of external legs and center legs   | 41 (1041)     |
| (C) Distance between edges of center legs   | NA            |
| Distance between front legs and splashguard   | 8 (203)       |
| <b>Electrical Service</b> (Field Electrical Wiring Connection)  |               |
| (D) RH End of case to center of Field Electrical Wiring Connection (bottom of case)                                     | 78 1/2 (1994) |
| Back of case to center of Field Electrical Wiring Connection  | 25 1/2 (648)  |
| Length of electrical wireway  | 32 1/2 (826)  |
| (E) RH end of case to LH end of electrical wireway (bottom of case)   | 92 1/4 (2343) |
| <b>Waste Outlets</b>  |               |
| (F) RH End of case to the center of waste outlet  | 24 1/8 (613)  |
| Back O/S of case to center of waste outlet(s)   | 33 1/2 (851)  |
| Schedule 40 PVC drip pipe   | 1 1/4 (32)    |
| <b>Refrigeration Outlet</b>   |               |
| (G) Back of case to center of refrigeration outlet  | 29 (737)      |
| End of case to center of refrigeration outlet   | 8 1/2 (216)   |

## Electrical Data

|                       |             |
|-----------------------|-------------|
| <b>Number of Fans</b> | <b>8 ft</b> |
| 7.0-in.               | 2           |

|                               | <b>Amperes</b> | <b>Watts</b> |
|-------------------------------|----------------|--------------|
| <b>Evaporator Fan</b>         | <b>8 ft</b>    | <b>8 ft</b>  |
| 120V 60Hz Energy Efficient    | 0.27           | 18           |
| 230V 50/60Hz Energy Efficient | 0.14           | 18           |

| <b>Minimum Circuit Ampacity</b> |      |  |
|---------------------------------|------|--|
| 120V 60Hz Energy Efficient      | 0.47 |  |
| 230V 50/60Hz Energy Efficient   | 0.34 |  |

| <b>Maximum Over Current Protection</b> |    |
|--|----|
| 120V                                   | 20 |
| 230V                                   | 15 |

## Lighting

ONLY LIGHTING CONFIGURATIONS THAT ARE COMPLIANT WITH THE U.S. DEPT. OF ENERGY (DOE) 2017 REGULATION ARE AVAILABLE FOR SALE FOR USE IN THE U.S.A.

|                           | <b>Amperes</b> | <b>Watts</b> |
|---------------------------|----------------|--------------|
|                           | <b>8 ft</b>    | <b>8 ft</b>  |
| <b>STANDARD LIGHTING</b>  |                |              |
| <b>EcoShine II Canopy</b> |                |              |
| 1 Row EcoShine II         | 0.32           | 38.6         |
| <b>OPTIONAL LIGHTING</b>  |                |              |
| <b>EcoShine II Canopy</b> |                |              |
| 1 Row EcoShine II HO      | 0.44           | 53.0         |
| <b>EcoShine II Shelf</b>  |                |              |
| 1 Row of Shelves          | 0.16           | 19.8         |
| 2 Rows of Shelves         | 0.33           | 39.5         |
| 3 Rows of Shelves         | 0.49           | 59.3         |

120V Lighting Circuit Total = Standard Lighting + Total Optional Lighting + Optional Shelf Lighting  
 230V Lighting Circuit Total = Multiply 120V Lighting Circuit Total by 0.52

**Insight IC2XSL-E**  
Dairy / Delicatessen /Meat

**ENDS or PARTITIONS**

Each standard end and each insulated partition adds 1 1/2 in. (38 mm) to case line up. Optional view end with end bumper adds 3 3/4 in. (95 mm).

**PHYSICAL DATA**

|                                 |       |
|---------------------------------|-------|
| Merchandiser Drip Pipe (in.)    | 1 1/4 |
| Schedule 40 PVC                 |       |
| Merchandiser Liquid Line (in.)  | 3/8   |
| Merchandiser Suction Line (in.) | 5/8   |

**ESTIMATED SHIPPING WEIGHT †**

| Case    | 8 ft       | Solid End         |
|---------|------------|-------------------|
| lb (kg) | 1000 (454) | (each)<br>75 (34) |

† Actual weights will vary according to optional kits included.

---

## Shelf Options

Approved shelf sizes for standard (horizontal, 2-3 position brackets) displays:

12-inch  
16-inch  
14-inch  
18-inch  
20-inch

Contact engineering for non-standard (4 position brackets or other) display recommendations.

Minimum number of Shelves: 2

Optimal number of Shelves: 3

Maximum number of Shelves: 3

Maximum number of Lighted Shelves: 3

Standard shelf complement for test purposes: (3) rows of shelves (12", 16", 18"), evenly distributed vertically.

### Replacement Parts List

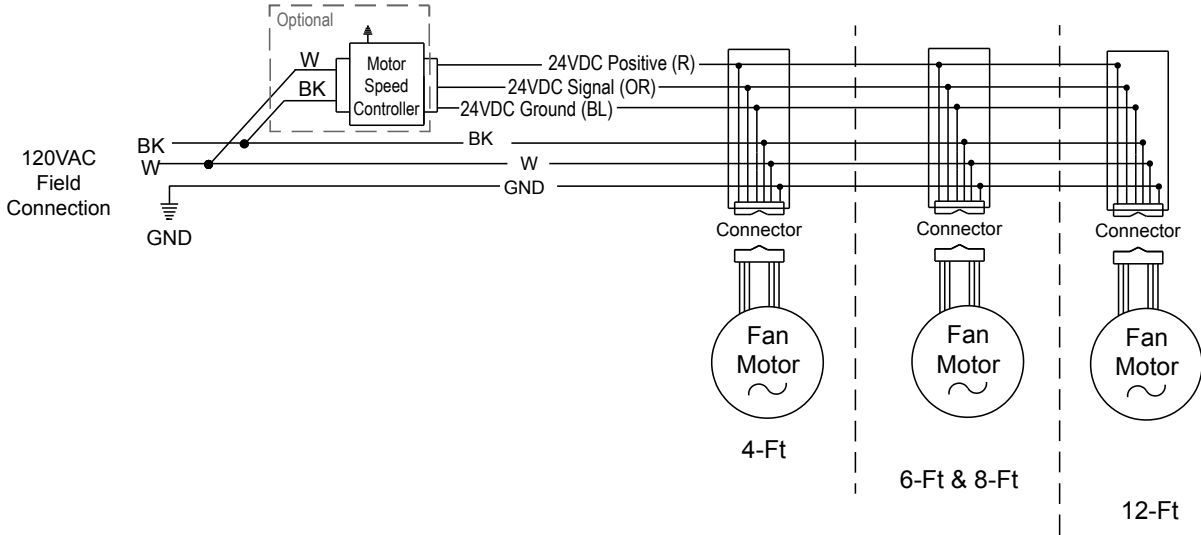
| Part #                                   | Description                        | Part #                           | Description |
|--|------------------------------------|----------------------------------|-------------|
| <b>FAN ASSEMBLIES</b>                    |                                    | <b>COILS</b>                     |             |
| <b>Standard HE Fan Assembly</b>          |                                    |                                  |             |
| 0535562                                  | 7.0-in. Fan Assembly               | 0534323                          | 8 ft,       |
| <b>FAN SPEED KEY</b>                     |                                    | <b>HONEYCOMB - WHITE</b>         |             |
| 0534365                                  | 1700 RPM                           | 0538222                          | 8 ft        |
| <b>THERMOSTATS</b>                       |                                    | <b>THERMO-EXPANSION VALVE</b>    |             |
| OPTIONAL                                 |                                    | Pre-set Adjustable               |             |
|  |                                    | Varies with Refrigerant and Size |             |
| <br><b>LED FIXTURES AND POWER SUPPLY</b> |                                    |                                  |             |
| 0501213                                  | Power Supply                       |                                  |             |
|  | LED Canopy Fixture                 |                                  |             |
|  | <i>Replace with like fixtures.</i> |                                  |             |
|  | LED Shelf Fixture                  |                                  |             |
|  | <i>Replace with like fixtures.</i> |                                  |             |

**NOTE: For LED lighting parts contact your Hussmann service representative at 1-800-922-1919. Please have your model and serial number available. Descriptions including size and color are at [HTTP://WWW.HUSSMANN.COM/EN/PRODUCTS/LED-LIGHTING/PAGES/DEFAULT.ASPX](http://www.hussmann.com/en/products/led-lighting/pages/default.aspx).**

FOR ADDITIONAL PARTS INFORMATION, VISIT  
[HTTP://WWW.HUSSMANN.COM/EN/PAGES/AFTERMARKET-PARTS.ASPX](http://www.hussmann.com/en/pages/aftermarket-parts.aspx)

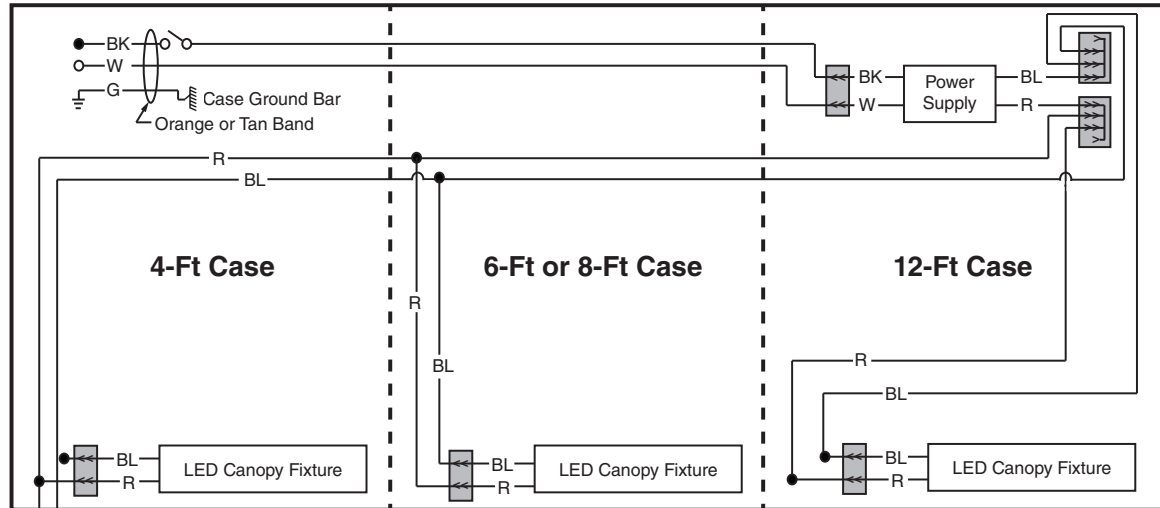
**Insight IC2XSL-E**  
 Dairy / Delicatessen / Meat

**Fan Wiring**  
**Offtime Defrost**

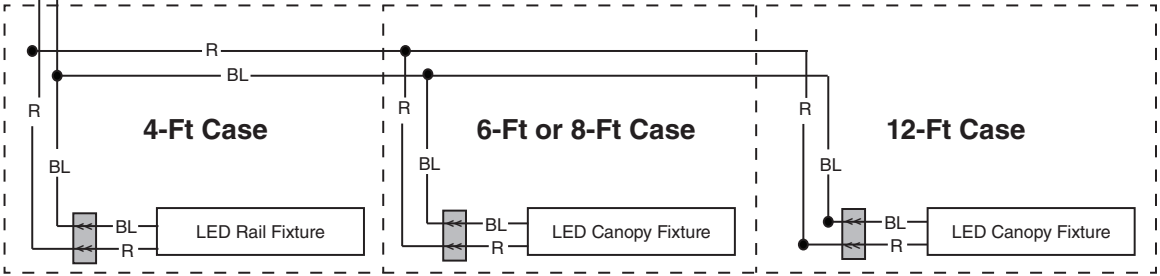


**Canopy LED Light Circuits**

**EcoShine II LED Canopy Lighting - 1 Row**



**Optional Lighting - EcoShine II LED Rail - 1 Row**



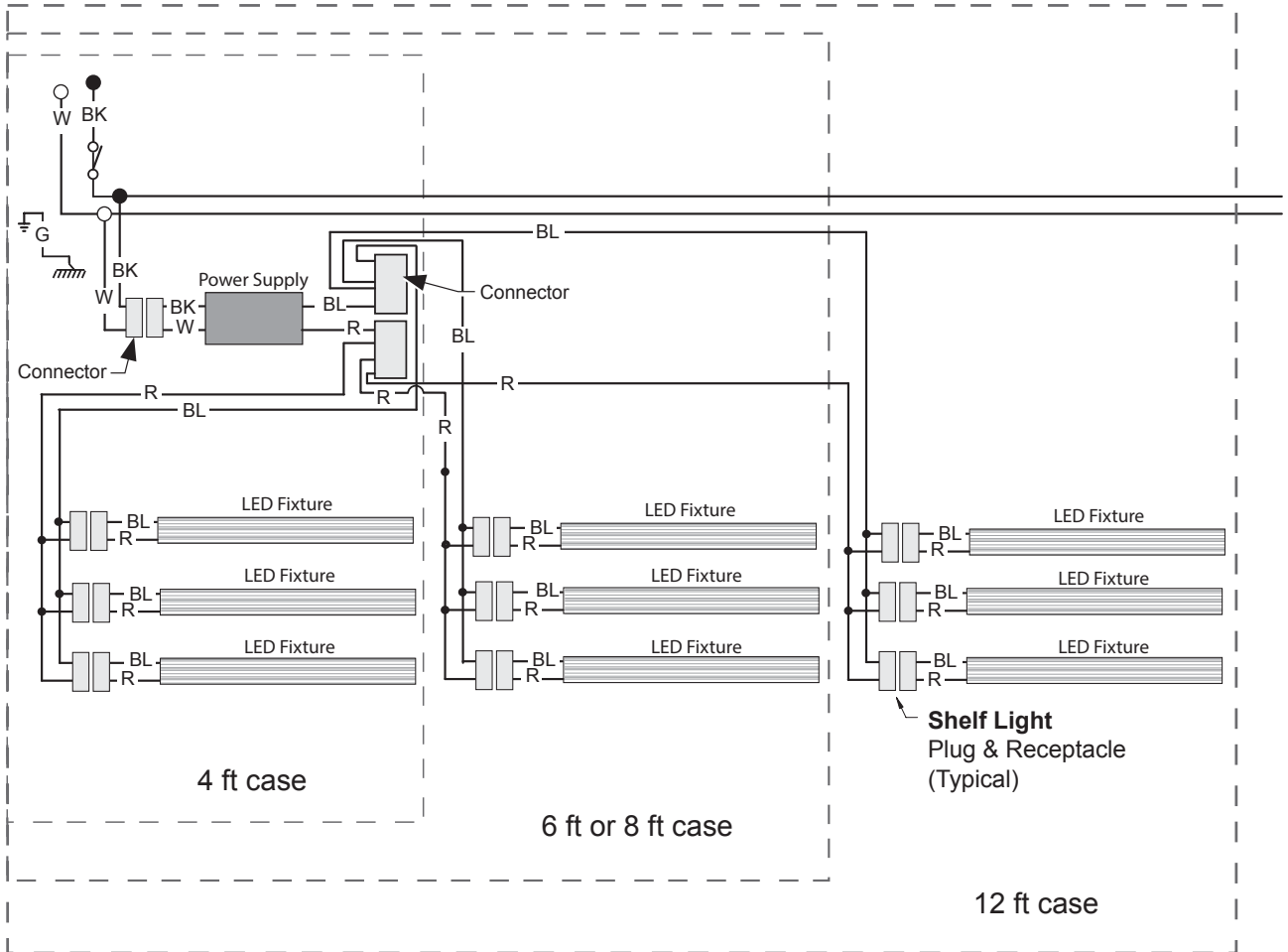
**WARNING**

All components must have mechanical ground, and the merchandiser must be grounded.

- R = Red    Y = Yellow    G = Green    BL = Blue    BK = Black    W = White
- = 120V POWER    ○ = 120V NEUTRAL    ⚡ = FIELD GROUND    ⚡⚡ = CASE GROUND

**Optional Shelf Lighting — LED Fixtures**

**Optional Shelf Harness and LED Light Circuits for 3 Rows of Lighted Shelves**



**WARNING**

All components must have mechanical ground, and the merchandiser must be grounded.

- R = Red    Y = Yellow    G = Green    BL = Blue    BK = Black    W = White  
 ● = 120V POWER    ○ = 120V NEUTRAL    ⊥ = FIELD GROUND    ≡ = CASE GROUND

## Estimating Refrigeration and Electrical Load (for comparison purposes only)

### Case Btu

To determine Btu for a case, refer to the performance data chart on page 2. Select lit or unlit shelves, then select the type of remote refrigeration system (parallel or conventional), which will give Btu/hr/ft. Multiply this number by the length of the case to determine Btu per hour. Add 10 BTU per foot per hour for each row of LED shelf lights.

### Case Electrical

Refer to store legend to determine number of circuits. Lighting should be specified in store legend.

Fan electrical load for a case is computed by selecting the case length and fan voltage on page 6. For example, a 12 ft case uses 3 fans. The store legend specifies fans on a 230V circuit. In this instance, fans use 0.21 Amps and the MCA is 0.41. When applied, ambient fans, anti-sweat heaters, controllers, etc. must be included in the MCA. Include lights in the MCA if lights are on same circuit.

Lights may be on a separate circuit. To estimate lighting load: select case length (12 ft), canopy lighting [standard or optional] (here 0.70 for standard), and shelf or rail lighting [maximum for which case is wired] (0.74 for three shelves); then add together [ $0.48 + 0.74 = 1.22$  amps for 120V] (for 230V, multiply  $1.22 * 0.52 = 0.63$ ).

### Line Sizing — Refer to store legend.

Hussmann Line Sizing Charts are engineered for use with Hussmann refrigeration equipment.



Scan QR code to  
access product  
information on your  
mobile device.

---

## Revision History

Revision A: February 2018: Original Issue