

HUSSMANN[®] *Excel*


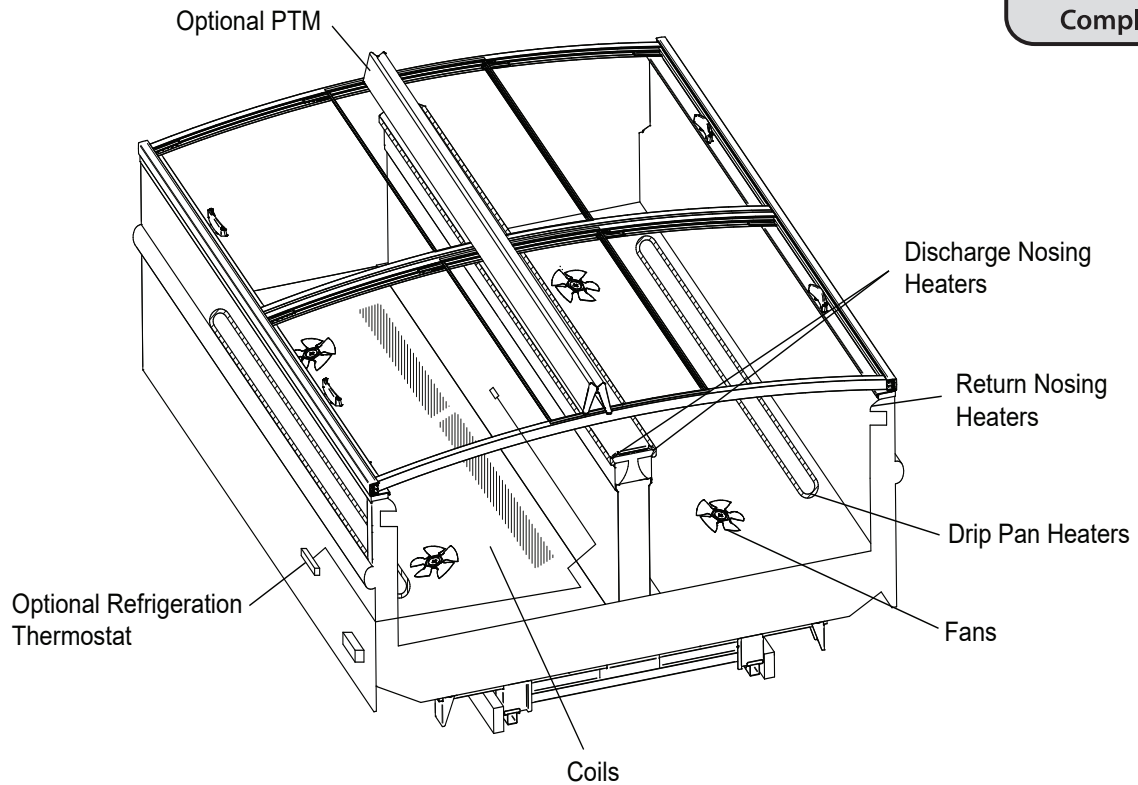


FW-L

Technical Data Sheet
P/N 0523826_F

NSF[®] Certified
June 2021

DOE 2017
Energy Efficiency
Compliant



Scan the QR code on your mobile device to access additional product information or order parts.

Parts may also be ordered at:
parts.hussmann.com
Call toll free: 1.855.487.7778

We reserve the right to change or revise specifications and product design in connection with any feature of our products. Such changes do not entitle the buyer to corresponding changes, improvements, additions or replacements for equipment previously sold or shipped.

Data sheet-Excel FW-L

Note: Revision F: Updated lid information.

©2021 HUSSMANN CORPORATION • BRIDGETON, MO 63044-2483 U.S.A.
U.S. & CANADA 1-800-922-1919 • MEXICO 1-800-890-2900 • WWW.HUSSMANN.COM

Spanish P/N 0538941

Engineering Plan Views

PHYSICAL DATA

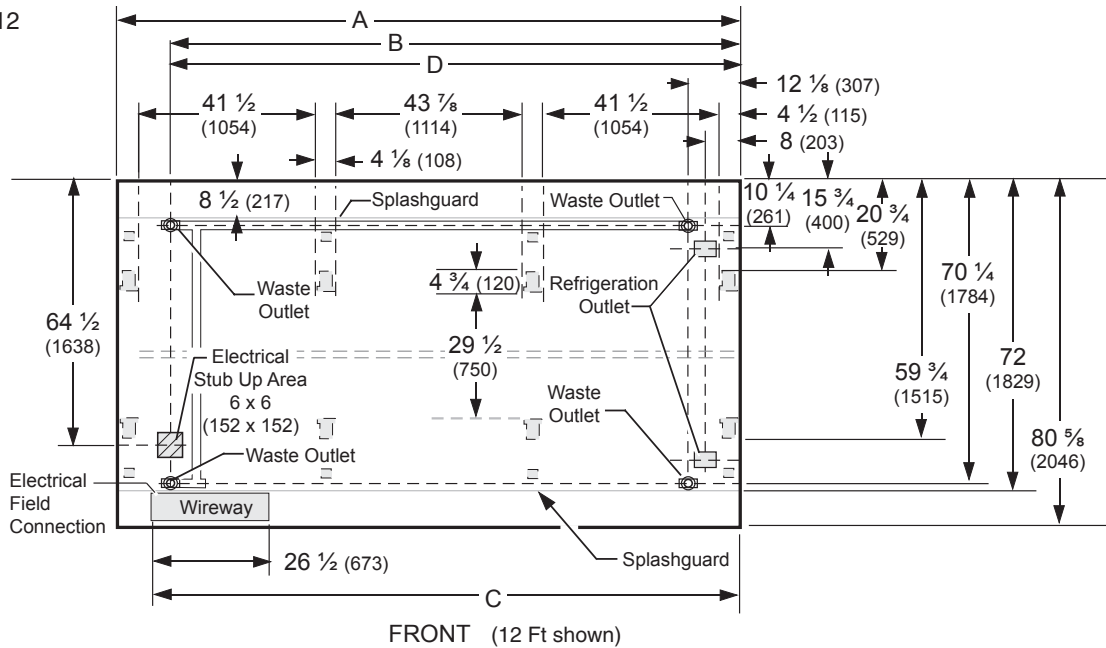
Merchandiser Drip Pipe (in.)	1 1/4
Merchandiser Liquid Line (in.)	3/8
Merchandiser Suction Line (in.)	5/8

Low / Medium Temperature

Wide Island

Dimensions shown as inches & (mm).

02-2012



	4 ft	6 ft	8 ft	12 ft
General				
(A) Case Length (<i>without ends or partitions</i>)	48 1/4 (1226)	73 3/4 (1874)	96 3/8 (2448)	144 1/2 (3670)
<i>(Each end and insulated partition adds 2 in. (51 mm) to case line up.)</i>				
Maximum O/S dimension of case back to front (<i>includes bumper</i>)	80 5/8 (2046)	80 5/8 (2046)	80 5/8 (2046)	80 5/8 (2046)
Back of case to front of splashguard	72 (1829)	72 (1829)	72 (1829)	72 (1829)
Back of case to O/S edge of front leg	59 3/4 (1515)	59 3/4 (1515)	59 3/4 (1515)	59 3/4 (1515)
Distance between edges of external legs and center legs	NA	30 1/4 (768)	41 1/2 (1054)	41 1/2 (1054)
Distance between edges of center legs	NA	NA	NA	43 7/8 (1114)
Distance between front legs and splashguard	12 3/8 (312)	12 3/8 (312)	12 3/8 (312)	12 3/8 (312)
Electrical Service (<i>Electrical Field Wiring connection point</i>)				
(B) RH End of case to center of stub up area	36 1/8 (918)	61 5/8 (1565)	84 1/4 (2140)	132 3/8 (3363)
Back of case to center of stub up area	64 1/2 (1638)	64 1/2 (1638)	64 1/2 (1638)	64 1/2 (1638)
Length of electrical wireway	26 1/2 (673)	26 1/2 (673)	26 1/2 (673)	26 1/2 (673)
(C) RH End of case to LH end of wireway	40 1/2 (1029)	67 1/2 (1715)	90 1/8 (2289)	138 1/4 (3511)
Waste Outlets (<i>One each end</i>)				
(D) RH End of case to the center of LH waste outlet	36 1/8 (918)	61 5/8 (1565)	84 1/4 (2140)	132 3/8 (3363)
RH End of case to the center of RH waste outlet	12 1/8 (307)	12 1/8 (307)	12 1/8 (307)	12 1/8 (307)
Back O/S of case to center of waste outlets	70 1/4 (1784)	70 1/4 (1784)	70 1/4 (1784)	70 1/4 (1784)
Schedule 40 PVC drip pipe	1 1/4 (32)	1 1/4 (32)	1 1/4 (32)	1 1/4 (32)
Refrigeration Outlet				
Back of case to center of front refrigeration outlet	64 7/8 (1646)	64 7/8 (1646)	64 7/8 (1646)	64 7/8 (1646)
Back of case to center of rear refrigeration outlet	15 3/4 (400)	15 3/4 (400)	15 3/4 (400)	15 3/4 (400)
RH end of case to center of refrigeration outlet	8 (203)	8 (203)	8 (203)	8 (203)

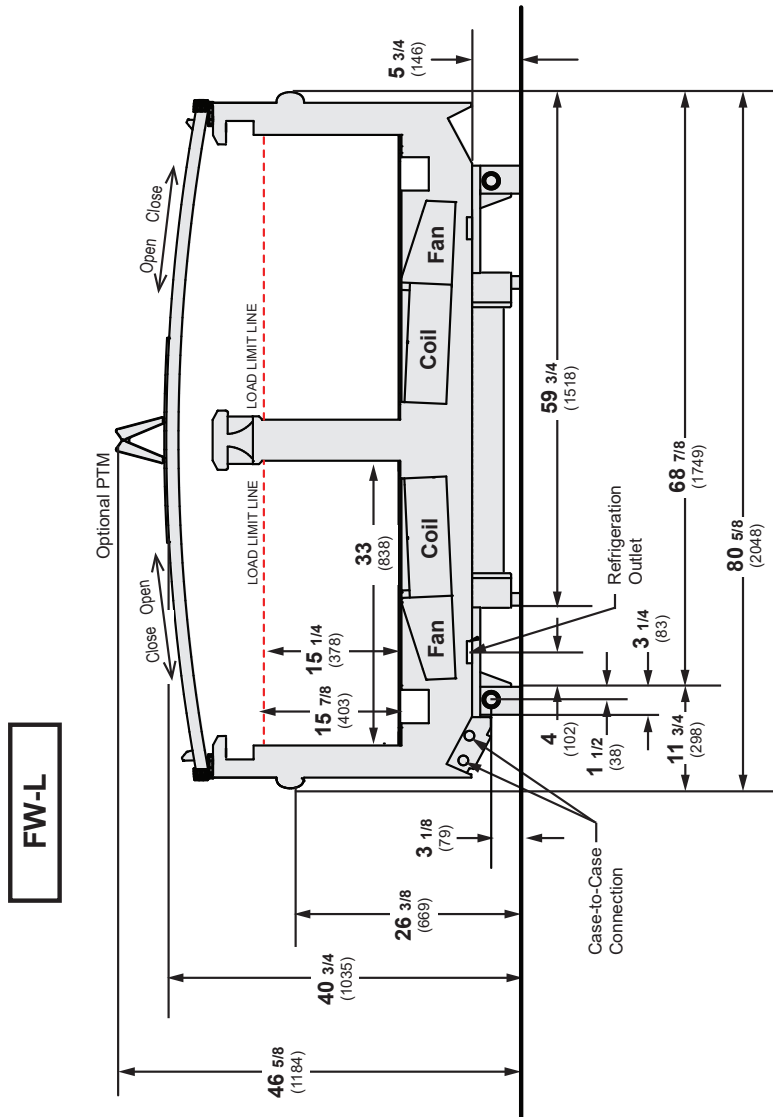
Wide Island Display with Solid Walls and Lids



Hussmann refrigerated merchandisers configured for sale for use in the United States meet or surpass the requirements of the DOE 2017 energy efficiency standards.

Excel FW-L
Low / Medium Temperature

Dimensions shown as inches & (mm).



Estimated Charge ****

4 ft	1.7 lb	27 oz	0.8 kg
6 ft	2.1 lb	34 oz	1.0 kg
8 ft	2.5 lb	40 oz	1.1 kg
12 ft	3.7 lb	59 oz	1.7 kg

****This is an average for all refrigerant types. Actual refrigerant charge may vary by approximately half a pound (8 oz/0.2 kg).

NSF Certification

This merchandiser model is manufactured to meet NSF/ANSI (National Sanitation Foundation) Standard #7 requirements for construction, materials & cleanability.

REFRIGERATION DATA**§

Note: This data is based on store temperature and humidity that does not exceed 75°F and 55% R.H.

	MED	FF	IC
Discharge Air (°F)	+32	-10	-19
Evaporator (°F)	+25	-15	-24
Unit Sizing (°F)	+23	-18	-27

§ Average evaporator temperature shown. Use dew point for high glide refrigerants for unit sizing. Care should be taken to use the dew point in PT tables for measuring and adjusting superheat. Adjust evaporator pressure as needed to maintain discharge air temperature shown.

Btu/hr/ft*	MED	FF	IC
PARALLEL	200	240	250
CONVENTIONAL	205	250	260

* Add 3 Btu/hr/ft for LED lighting.

**Dual temperature operation kits are not suitable for ice cream temperature applications.

DEFROST DATA

	MED	FF	IC
Frequency (hr)	24	24	24
Defrost Water (lb/ft/day)	0.4	0.35	0.3

(± 15% based on case configuration and product loading).

ELECTRIC	MED	FF	IC
Temp Term (°F)	48	48	48
Failsafe (minutes)	30	50	60

GAS	MED	FF	IC
Duration (minutes)	NA	15	18

OFFTIME Not Recommended

Standard Defrost Thermostat

Close on rise: close 48°F — open 33°F

CONVENTIONAL CONTROLS

Low Pressure Backup Control — CI/CO **

MED	+28°F / +16°F
FF	-15°F / -27°F
IC	-21°F / -33°F

Indoor Unit Only, Pressure Defrost Termination***

Not Recommended

***Use a Temperature Pressure Chart to determine PSIG conversions.

Excel FW-L Low / Medium Temperature
--

Electrical Data

	4 ft	6 ft	8 ft	12 ft				
Number of Fans – 4W Evaporator	2	2	4	4				
	Amperes				Watts			
	4 ft	6 ft	8 ft	12 ft	4 ft	6 ft	8 ft	12 ft
Evaporator Fans								
120V 60Hz Standard Energy Efficient	0.24	0.24	0.48	0.48	16	16	32	32
230V 60Hz Standard Energy Efficient	0.12	0.12	0.24	0.24	16	16	32	32
230V 60Hz Export	0.30	0.30	0.60	0.60	48	48	96	96
230V 50Hz Export	0.36	0.36	0.72	0.72	54	54	108	108
Anti-sweat Heaters (on fan circuit)								
120V 50/60Hz Standard	0.47	0.80	1.05	1.59	56	96	126	190
230V 50/60Hz Export	0.25	0.42	0.55	0.83	56	96	126	190
Minimum Circuit Ampacity								
120V 60Hz Standard Energy Efficient	0.91	1.24	1.73	2.27				
230V 60Hz Standard Energy Efficient	0.57	0.74	0.99	1.27				
230V 60Hz Export	0.75	0.92	1.35	1.63				
230V 50Hz Export	0.81	0.98	1.47	1.75				
Maximum Over Current Protection 120V	20	20	20	20				
Maximum Over Current Protection 230V	15	15	15	15				
208V Electric Defrost	8.75	13.07	15.38	23.07	1820	2720	3200	4800
230V Export Electric Defrost	7.91	11.83	13.91	20.87	1820	2720	3200	4800
120V Koolgas Defrost	2.50	2.67	3.33	6.66	300	320	400	800

Only lighting configurations that are compliant with the U.S. Dept. of Energy (DOE) 2017 regulation are available for sale for use in the U.S.A.

Standard Lighting

None

Optional Lighting

LED 120V 50/60Hz	0.17	0.34	0.34	0.50	20	40	40	60
------------------	------	------	------	------	----	----	----	----

Please note: some combinations of fluorescent lights on this case model may not be compliant with DOE 2017 and may not be available to order in the US and Canada. More lighting options are available with LED lights. The Hussmann Product Configurator will not allow lighting options that do not comply with the DOE 2017 standards.

Product Data

Recommended Usable Cube ¹ (Cu Ft/Ft)	6.99 ft ³ /ft (0.65 m ³ /m)
AHRI Total Display Area ² (Sq Ft/Ft)	4.93 ft ² /ft (1.50 m ² /m)
Shelf Area ³ (Sq Ft/Ft)	5.50 ft ² /ft (1.68 m ² /m)

- ¹ AHRI Refrigerated Volume less shelving and other unusable space: Refrigerated Volume/Unit of Length, ft³/ft [m³/m]
- ² Computed using AHRI 1200 standard methodology: Total Display Area, ft² [m²]/Unit of Length, ft [m]
- ³ Shelf surface area is composed of bottom deck plus standard shelf complement, as shown in the Hussmann **Product Reference Guide**. The standard shelf complement for this model is NONE.

ESTIMATED SHIPPING WEIGHT ⁴

Case	4 ft	6 ft	8 ft	12 ft	Solid End (each)
lb (kg)	1103 (501)	1340 (609)	1590 (722)	1880 (855)	75 (34)

⁴ Actual weights will vary according to optional kits included.

Glass Lid Replacement Parts

FW4GL, FW8GL, FW12GL GLASS ASSEMBLIES

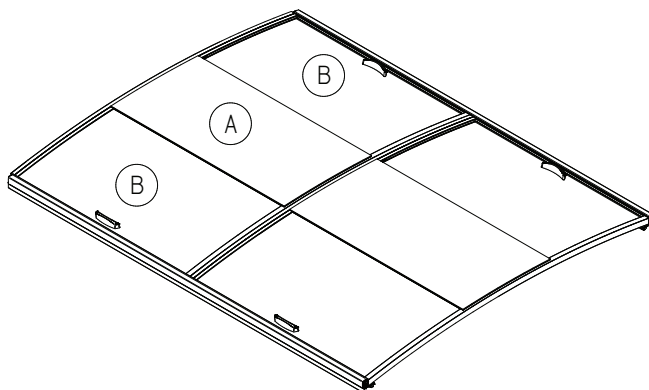
- A. Glass Assembly - FXD 4 foot, FW
Glass Assembly - FXD Door, L, R, 4 foot, FW
Glass Assembly - FXD Door, Narrow, WDO, 4 foot, FW
- B. Glass Assembly - 4 foot, FW
Glass Assembly - L, R, 4 foot, FW
Glass Assembly - Narrow, WDO, 4 foot, FW

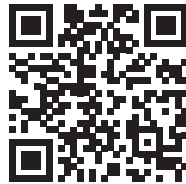
FW6GL GLASS ASSEMBLIES

- A. Glass Assembly - FXD 4 foot, FW
Glass Assembly - FXD Door, L, R, 4 foot, FW
- B. Glass Assembly - 4 foot, FW
Glass Assembly - L, R, 4 foot, FW

L, R door only apply when the flat end is used.

Narrow WDO only apply when the flat end is used on both sides with a 4 foot case.



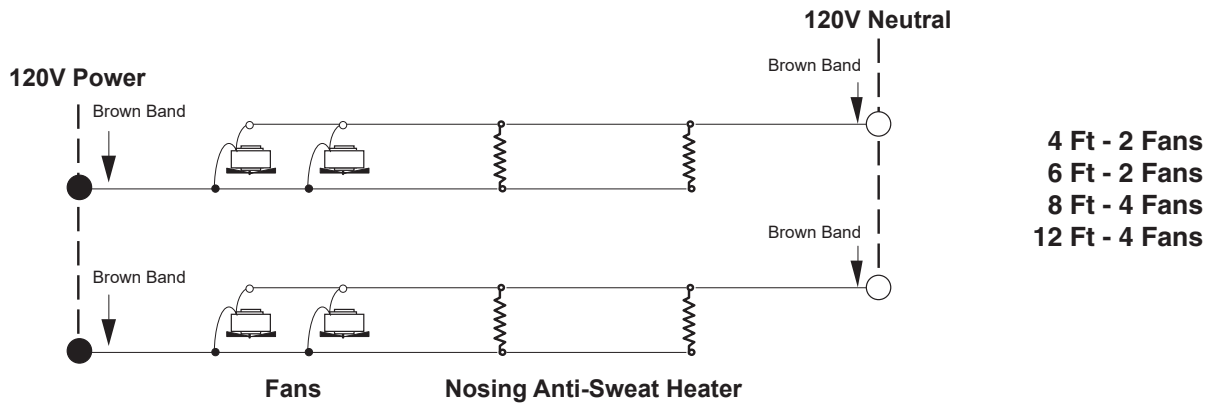


Scan the QR code on your mobile device to access additional product information or order parts.

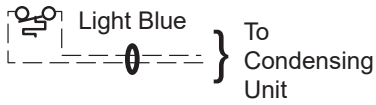
Parts may also be ordered at:

parts.hussmann.com
Call toll free: 1.855.487.7778

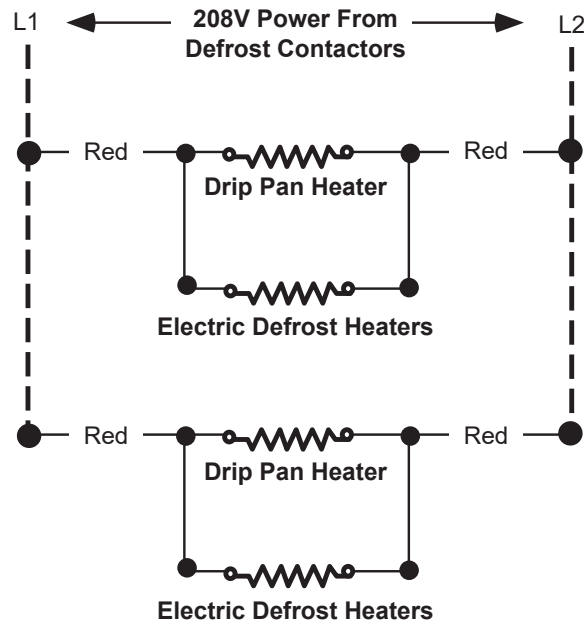
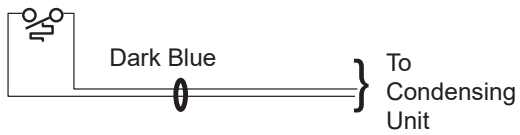
Electric Defrost – Standard



Refrigeration Thermostat (Optional)



Defrost Termination Thermostat

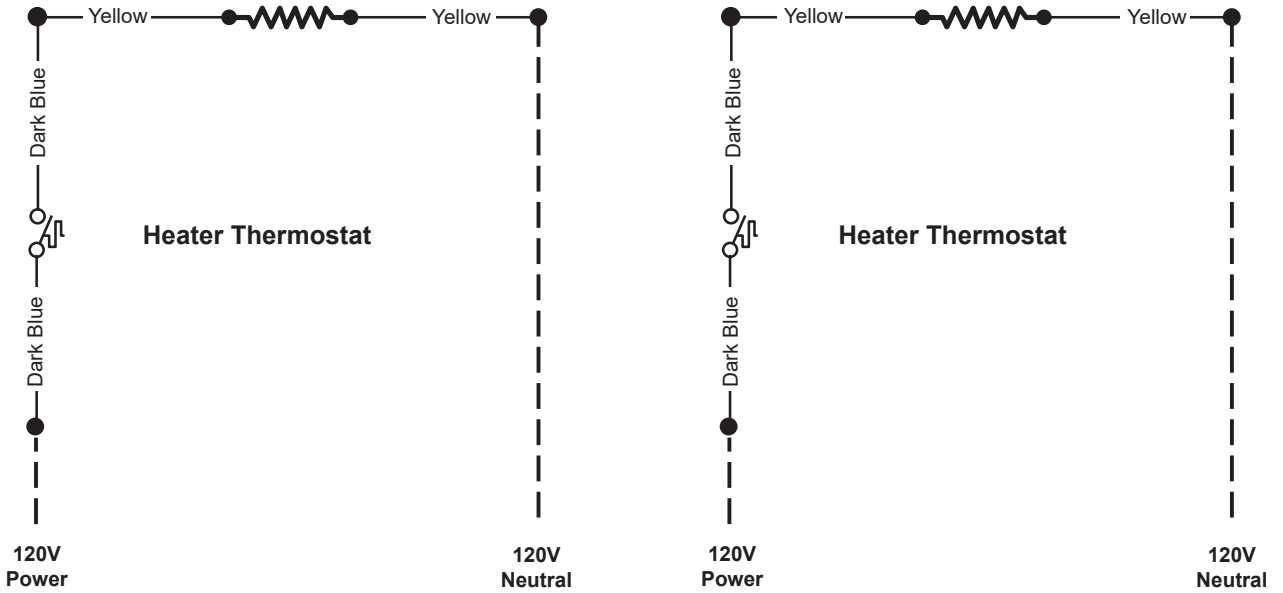


WARNING

All components must have mechanical ground, and the merchandiser must be grounded.

Gas Defrost – Optional

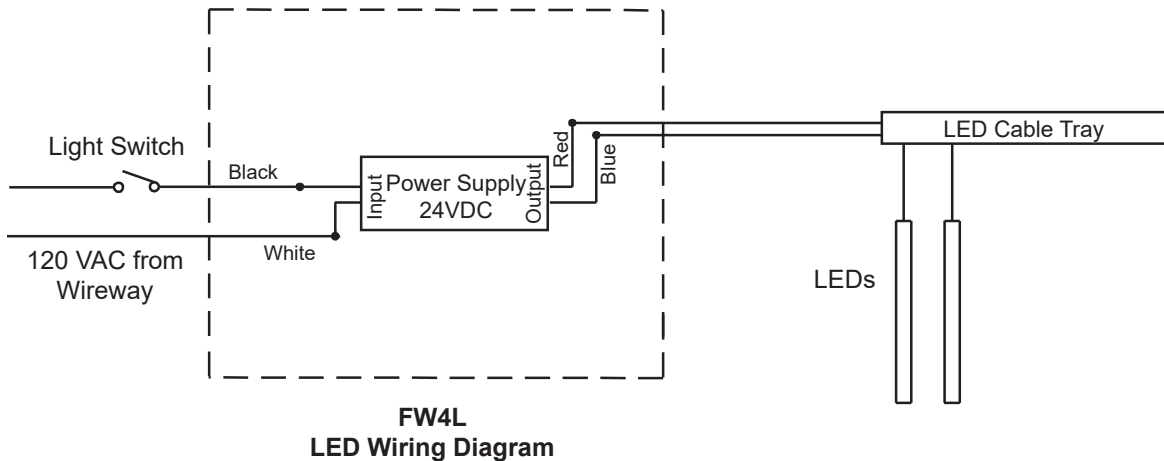
120V Drip Pan Heater — Koolgas Only



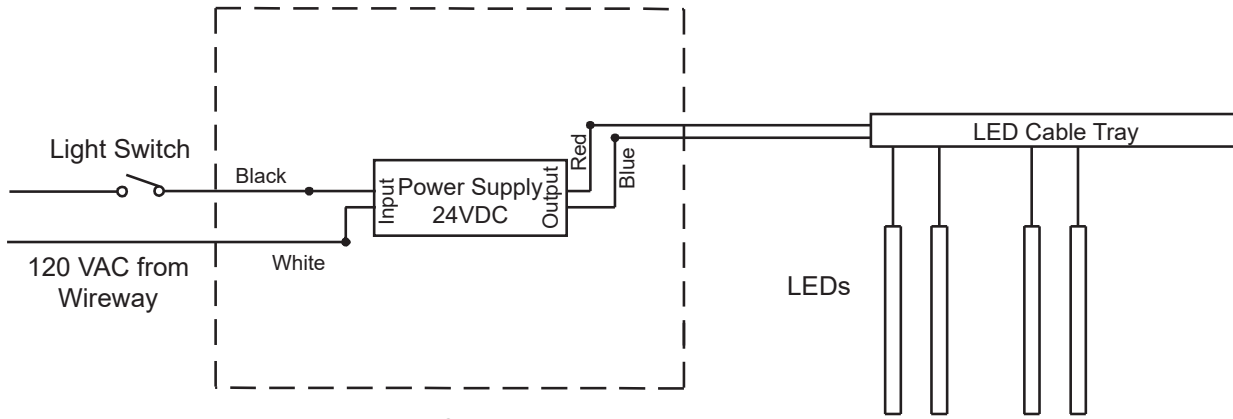
WARNING

All components must have mechanical ground, and the merchandiser must be grounded.
 Grayed components in 12 foot models only.

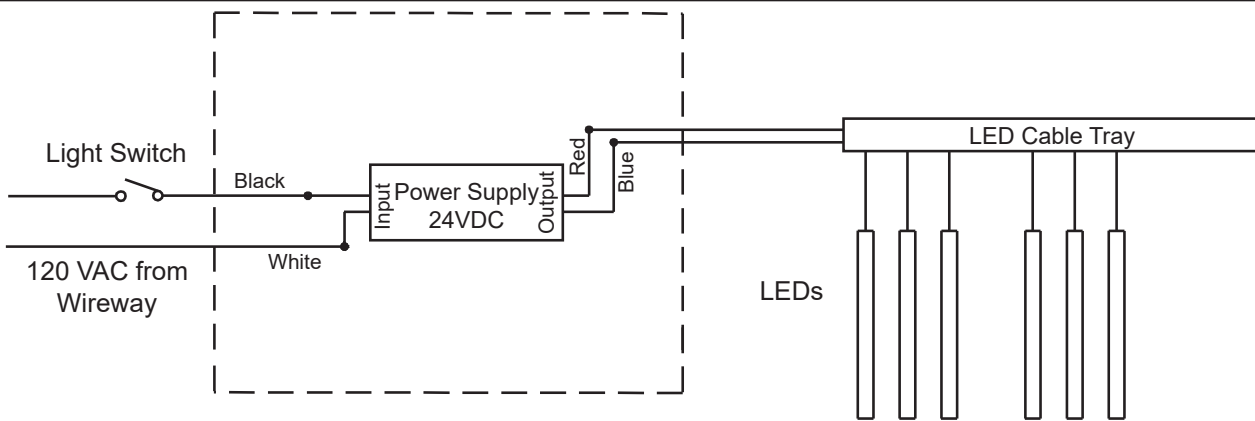
Optional LED Lighting Wiring Diagrams



Optional LED Lighting Wiring Diagrams



**FW6L & FW8L
LED Wiring Diagram**



**FW12L
LED Wiring Diagram**