

### NSF Certification

This merchandiser model is manufactured to meet NSF/ANSI (National Sanitation Foundation) Standard #7 requirements for construction, materials and cleanability.



Scan the QR code on your mobile device to access additional product information or order parts.

Parts may also be ordered at:

[parts.hussmann.com](http://parts.hussmann.com)

Call toll free: 1.855.487.7778

We reserve the right to change or revise specifications and product design in connection with any feature of our products. Such changes do not entitle the buyer to corresponding changes, improvements, additions or replacements for equipment previously sold or shipped.

Note: Revision R: Added 6 foot data.

Data sheet-Excel D6NX-LEP

# Engineering Plan Views

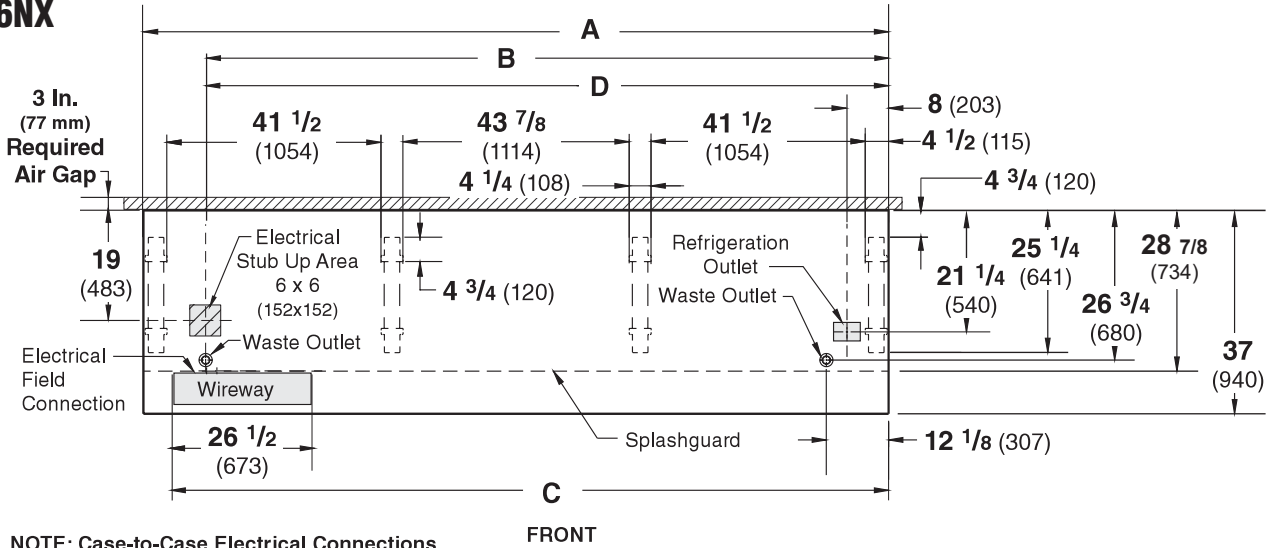
PHYSICAL DATA	
Merchandiser Drip Pipe (in.)	1 1/4
Merchandiser Liquid Line (in.)	3/8
Merchandiser Suction Line (in.)	7/8

## Narrow Dairy & Delicatessen

10-2004

Dimensions shown as in. and (mm).

**D6NX**



NOTE: Case-to-Case Electrical Connections are made IN FRONT OF SPLASHGUARD.

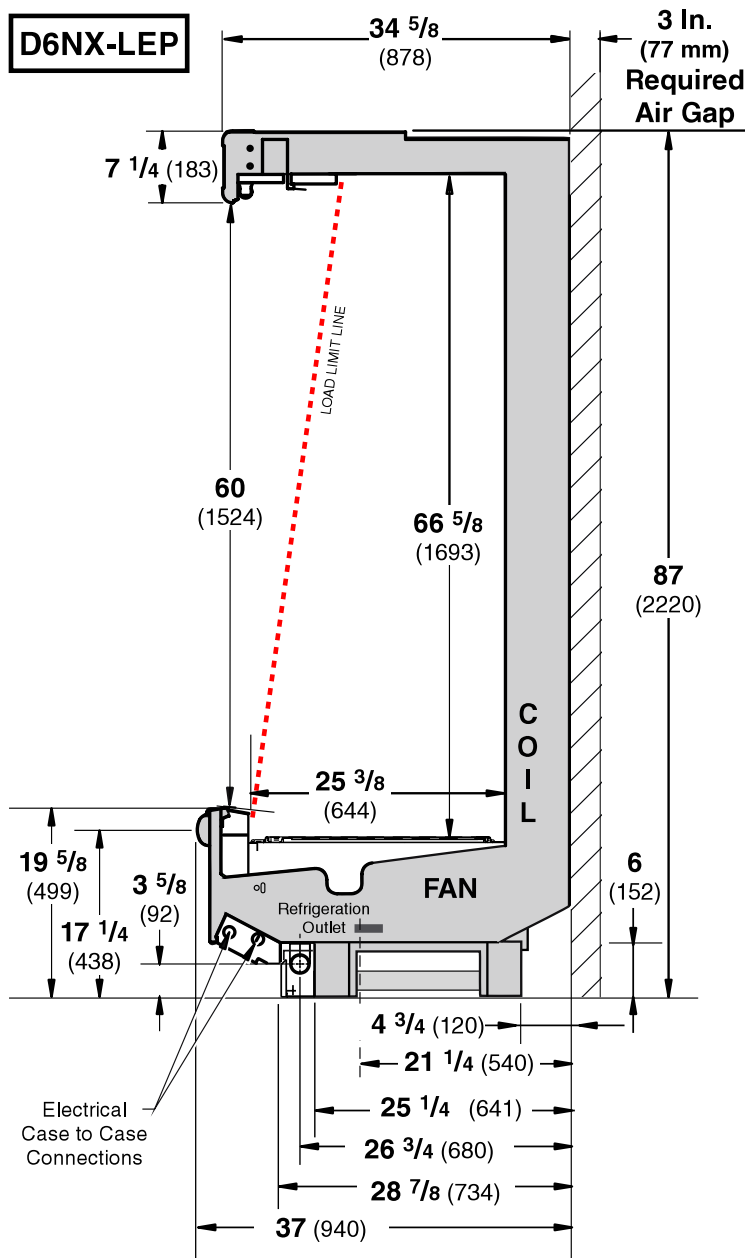
	4 ft	6 ft	8 ft	12 ft
<b>General</b>				
<b>(A) Case Length</b> ( <i>without ends or partitions</i> )	48 3/8 (1229)	72 3/8 (1838)	96 3/8 (2448)	144 1/2 (3670)
<i>(Each end and insulated partition adds 1 1/2 in. (38 mm) to case line up.)</i>				
Maximum O/S dimension of case back to front <i>(includes bumper)</i>	37 (940)	37 (940)	37 (940)	37 (940)
Back of case to front of splashguard	28 1/2 (724)	28 1/2 (724)	28 1/2 (724)	28 1/2 (724)
Back of case to O/S edge of front rails	25 1/4 (641)	25 1/4 (641)	25 1/4 (641)	25 1/4 (641)
Distance between edges of external legs and center legs	NA	29 1/2 (750)	41 1/2 (1054)	41 1/2 (1054)
Distance between edges of center legs	NA	NA	NA	43 7/8 (1114)
Distance between front legs and splashguard	2 3/4 (70)	2 3/4 (70)	2 3/4 (70)	2 3/4 (70)
<b>Electrical Service</b> ( <i>Electrical Field Wiring connection point located on top of case</i> )				
<b>(B) RH End of case to center of stub up area</b>	36 1/4 (921)	60 1/4 (1530)	84 1/4 (2140)	132 3/8 (3363)
Back of case to center of stub up area	19 (483)	19 (483)	19 (483)	19 (483)
Length of electrical wireway	26 1/2 (673)	26 1/2 (673)	26 1/2 (673)	26 1/2 (673)
<b>(C) RH End of case to LH end of wireway</b>	42 1/8 (1070)	66 1/8 (1680)	90 1/8 (2289)	138 1/4 (3511)
<b>Waste Outlets</b> ( <i>One each end</i> )				
<b>(D) RH End of case to the center of LH waste outlet</b>	36 1/4 (921)	60 1/4 (1530)	84 1/4 (2141)	132 3/8 (3363)
RH End of case to the center of RH waste outlet	12 1/8 (307)	12 1/8 (307)	12 1/8 (307)	12 1/8 (307)
Back O/S of case to center of waste outlets	26 3/4 (680)	26 3/4 (680)	26 3/4 (680)	26 3/4 (680)
Schedule 40 PVC drip pipe	1 1/4 (32)	1 1/4 (32)	1 1/4 (32)	1 1/4 (32)
<b>Refrigeration Outlet</b>				
Back of case to center of refrigeration outlet	21 1/4 (540)	21 1/4 (540)	21 1/4 (540)	21 1/4 (540)
RH end of case to center of refrigeration outlet	8 (203)	8 (203)	8 (203)	8 (203)

Multi-deck, Narrow Footprint, 6 Display Levels, Low Front



Hussmann refrigerated merchandisers configured for sale for use in the United States meet or surpass the requirements of the DOE 2017 energy efficiency standards.

Dimensions shown as in. and (mm).



Estimated Charge **		D6NX-LEP	
4 ft	1.9 lb	30 oz	0.9 kg
6 ft	2.8 lb	45 oz	1.3 kg
8 ft	3.7 lb	59 oz	1.7 kg
12 ft	5.1 lb	82 oz	2.3 kg

\*\*This is an average for all refrigerant types. Actual refrigerant charge may vary by approximately half a pound (8 oz/0.2 kg).

**Excel D6NX-LEP**  
Dairy & Delicatessen

**REFRIGERATION DATA**

Note: This data is based on store temperature and humidity that does not exceed 75°F and 55% R.H.

D6NX-LEP§	UNLIT	LIT	PEG*
Discharge Air °F	33	31	31
Evaporator °F	28	26	26
Unit Sizing °F	26	24	24

§ Average evaporator temperature shown. Use dew point for high glide refrigerants for unit sizing. Care should be taken to use the dew point in PT tables for measuring and adjusting superheat. Adjust evaporator pressure as needed to maintain discharge air temperature shown.

**Btu/hr/ft — Unlit Shelves‡**

D6NX-LEP	Parallel	Conventional
UNLIT	1490	1555
PEG*	1635	1710

\* Hussmann Peg Shelves (Deli only).

‡ Add 10 Btu/hr/ft per shelf row for LED fixtures.

Add 20 Btu/hr/ft per shelf row for fluorescent lamps.

**DEFROST DATA**

Frequency Hr	12
Defrost Water (lb/ft/day)	10.5

(± 15% based on case configuration and product loading).

OFFTIME	D6NX-LEP
Temp Term °F	48
Failsafe Minutes	30

**ELECTRIC OR GAS** Not Recommended

**CONVENTIONAL CONTROLS**

Low Pressure Backup Control	
CI/CO**	D6NX-LEP
	19°F / 9°F

**Indoor Unit Only, Pressure Defrost**

Termination**	48°F
---------------	------

\*\*Use a Temperature Pressure Chart to determine PSIG conversions.

# Excel D6NX-LEP

## Dairy & Delicatessen

### Electrical Data

	4 ft	6 ft	8 ft	12 ft
Number of Fans—12W	2	-	4	6
Number of Fans—7W	-	2	-	-

Evaporator Fan	Amperes				Watts			
	4 ft	6 ft	8 ft	12 ft	4 ft	6ft	8 ft	12 ft
120V 50/60Hz Standard Energy Efficient	0.60	0.76	1.20	1.80	36	56	72	108
230V 50/60Hz Standard Energy Efficient	0.30	0.40	0.60	0.90	36	56	72	108
230V 60Hz Export	0.66	1.00	1.32	1.98	100	156	200	300
230V 50Hz Export	0.76	1.12	1.52	2.28	114	168	228	342

### Minimum Circuit Ampacity

120V 50/60Hz Standard Energy Efficient	0.80	0.96	1.40	2.00
230V 50/60Hz Standard Energy Efficient	0.50	0.60	0.80	1.10
230V 60Hz Export	0.86	1.20	1.52	2.18
230V 50Hz Export	0.96	1.32	1.72	2.48

### Maximum Over Current Protection 120V

Maximum Over Current Protection 120V	20	20	20	20
Maximum Over Current Protection 230V	15	15	15	15

### Standard Lighting (T-8 Fluorescent)

1 Row Canopy	0.26	0.51	0.51	0.77	30	59	59	85
--------------	------	------	------	------	----	----	----	----

ONLY LIGHTING CONFIGURATIONS THAT ARE COMPLIANT WITH THE U.S. DEPT. OF ENERGY (DOE) 2017 REGULATION ARE AVAILABLE FOR SALE FOR USE IN THE U.S.A.

### Optional Lighting (T-8 Fluorescent)

Additional 1 Row Canopy	0.26	0.51	0.51	0.77	30	59	59	85
Additional 2 Row Canopy	0.51	1.02	1.02	1.54	59	118	118	170
Additional 3 Row Canopy	0.77	1.53	1.53	2.31	89	177	177	255
1 Row Rail Light	0.26	0.51	0.51	0.77	30	59	59	85
1 Row of Shelves	0.26	0.51	0.51	0.77	30	59	59	85
4 Rows of Shelves	1.02	2.04	2.04	3.08	118	236	236	340
5 Rows of Shelves	1.28	2.55	2.55	3.85	148	295	295	425
6 Rows of Shelves	1.53	3.06	3.06	4.62	177	354	354	510

### EcoShine II Canopy

EcoShine II	0.16	0.26	0.32	0.48	19.3	31.6	38.6	58.0
EcoShine II HO	0.22	0.33	0.44	0.66	26.5	39.5	53.0	79.4

### EcoShine II Rail Light — 1 Row

EcoShine II Rail Light — 1 Row	0.08	0.12	0.16	0.25	9.9	14.1	19.8	29.7
--------------------------------	------	------	------	------	-----	------	------	------

### EcoShine II Shelf

1 Row of Shelves	0.08	0.12	0.16	0.25	9.9	14.1	19.8	29.7
4 Rows of Shelves	0.33	0.47	0.66	0.99	39.5	56.4	79.1	118.6
5 Rows of Shelves	0.41	0.59	0.82	1.24	49.4	70.5	98.9	148.3
6 Rows of Shelves	0.49	0.70	0.99	1.48	59.3	84.5	118.6	178.0

120V Lighting Circuit Total = Standard Lighting + Total Optional Lighting + Optional Shelf Lighting

120V LED Lighting Circuit Total = Canopy Lighting + Shelf Lighting

230V Lighting Circuit Total = Multiply 120V Lighting Circuit Total by 0.52

Please note: some combinations of fluorescent lights on this case model may not be compliant with DOE 2017 and may not be available to order in the US and Canada. More lighting options are available with LED lights. The Hussmann Product Configurator will not allow lighting options that do not comply with the DOE 2017 standards.

**Product Data**

<i>Recommended Usable Cube</i> <sup>1</sup> (Cu Ft/Ft)	7.54 ft <sup>3</sup> /ft (0.70 m <sup>3</sup> /m)
<i>AHRI Total Display Area</i> <sup>2</sup> (Sq Ft/Ft)	5.00 ft <sup>2</sup> /ft (1.52 m <sup>2</sup> /m)
<i>Shelf Area</i> <sup>3</sup> (Sq Ft/Ft)	8.81 ft <sup>2</sup> /ft (2.69 m <sup>2</sup> /m)

- <sup>1</sup> AHRI Refrigerated Volume less shelving and other unusable space: Refrigerated Volume/Unit of Length, ft<sup>3</sup>/ft [m<sup>3</sup>/m]
- <sup>2</sup> Computed using AHRI 1200 standard methodology: Total Display Area, ft<sup>2</sup> [m<sup>2</sup>]/Unit of Length, ft [m]
- <sup>3</sup> Shelf surface area is composed of bottom deck plus standard shelf complement, as shown in the Husmann *Product Reference Guide*. The standard shelf complement for this model is (5) rows of 16-inch shelves.

**ESTIMATED SHIPPING WEIGHT<sup>4</sup>**

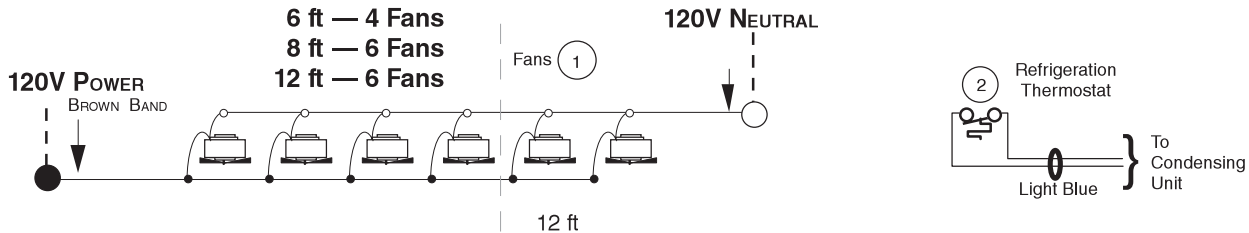
Case					Solid End
	<i>4 ft</i>	<i>6 ft</i>	<i>8 ft</i>	<i>12 ft</i>	<i>(each)</i>
<b>lb (kg)</b>	800 (363)	1000 (454)	1200 (544)	1600 (726)	100 (45)

<sup>4</sup> Actual weights will vary according to optional kits included.

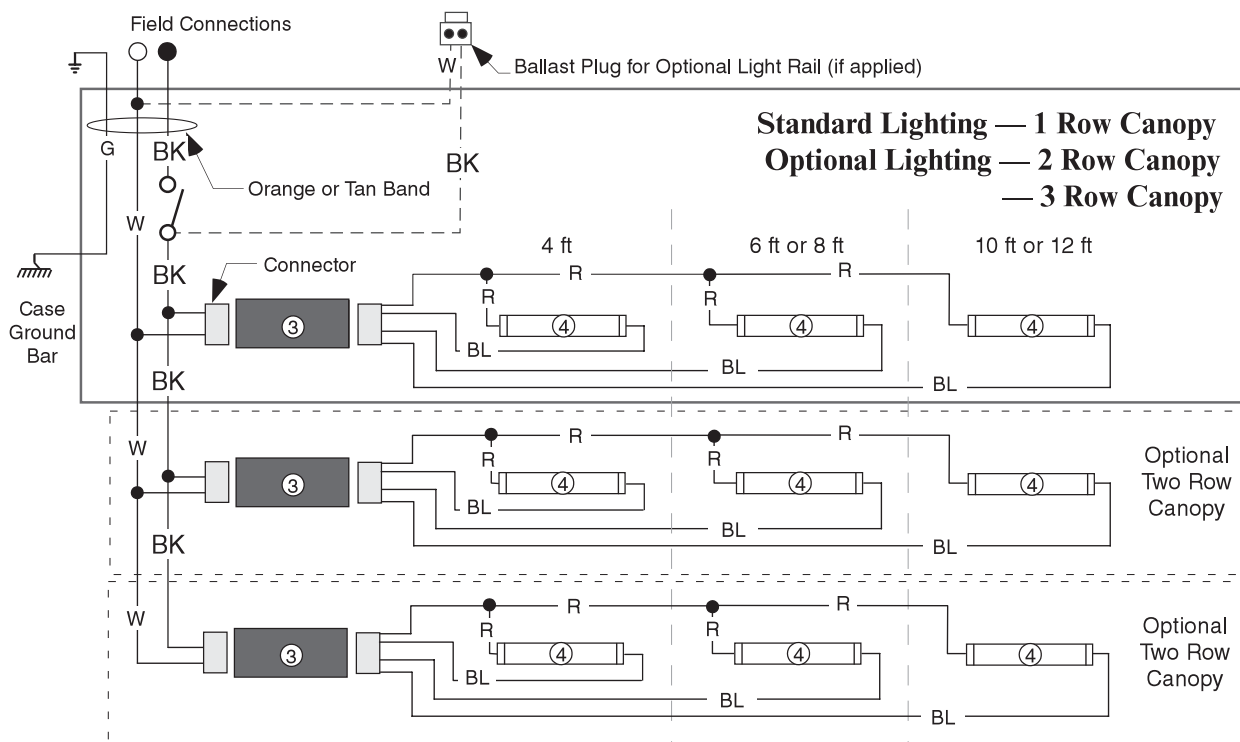
# Fan Wiring Offtime Defrost

## 2, 4 & 6 Fans

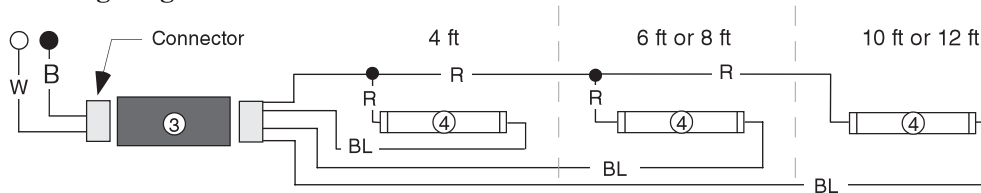
- 4 ft — 2 Fans
- 6 ft — 4 Fans
- 8 ft — 6 Fans
- 12 ft — 6 Fans



# Canopy Light Circuits — Fluorescent Fixtures



## Optional Lighting — 1 Row Rail



### WARNING

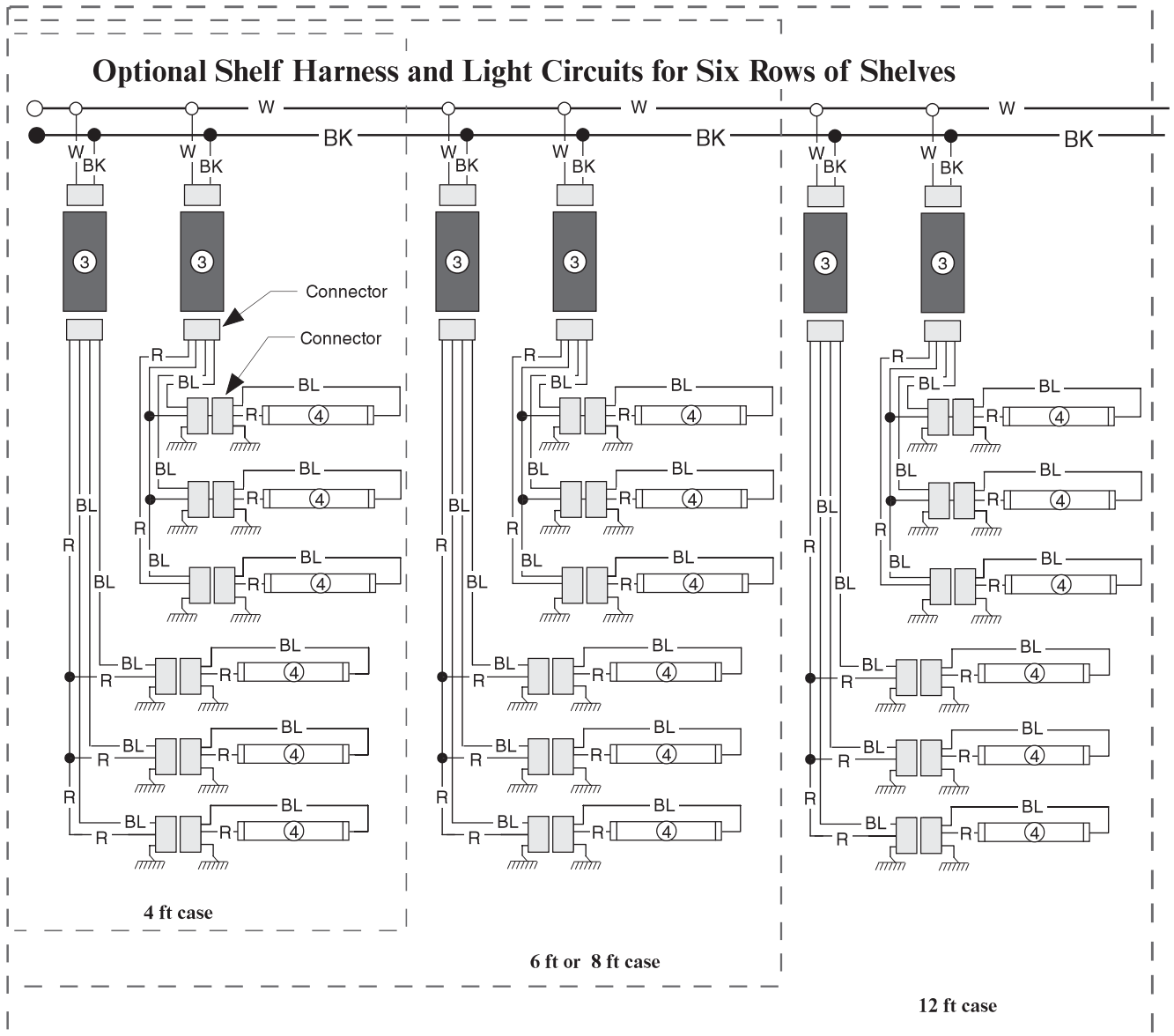
All components must have mechanical ground, and the merchandiser must be grounded.

CIRCLED NUMBERS = PARTS LIST ITEM NUMBERS

R = Red Y = Yellow G = Green BL = Blue BK = Black W = White

● = 120V POWER ○ = 120V NEUTRAL ⊥ = FIELD GROUND ≡ = CASE GROUND

# Optional Shelf Lighting Fluorescent Fixtures



## WARNING

All components must have mechanical ground, and the merchandiser must be grounded.

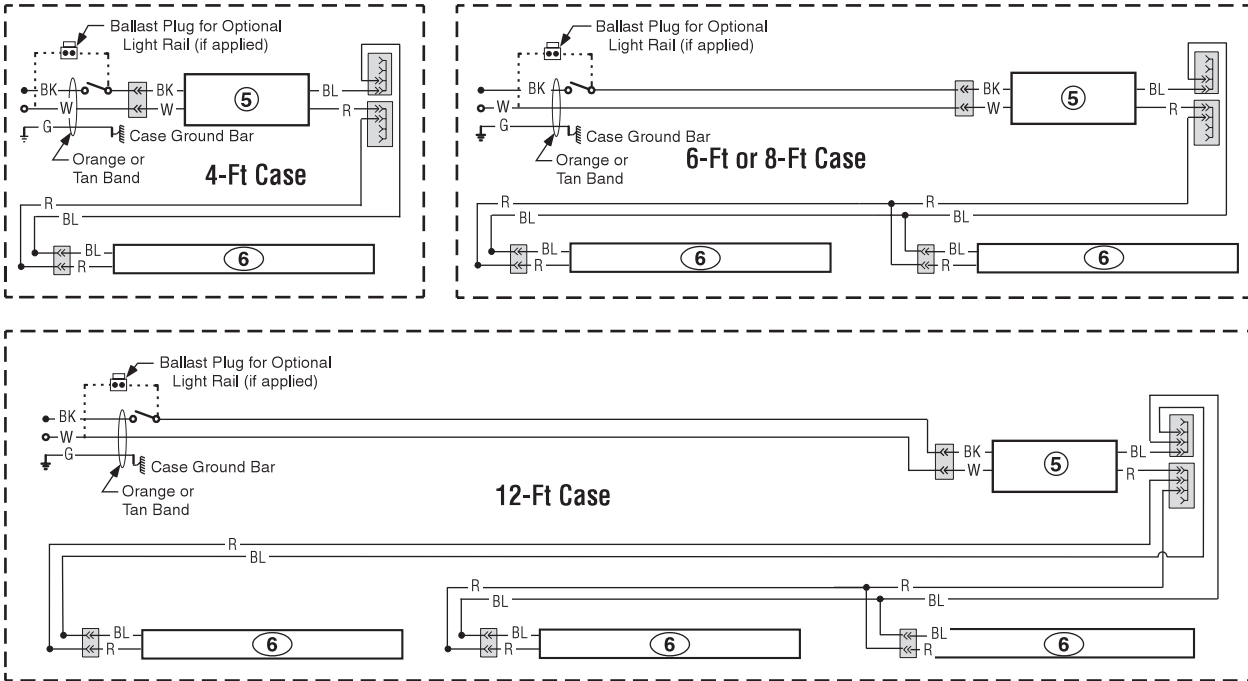
CIRCLED NUMBERS = PARTS LIST ITEM NUMBERS

R = Red   Y = Yellow   G = Green   BL = Blue   BK = Black   W = White

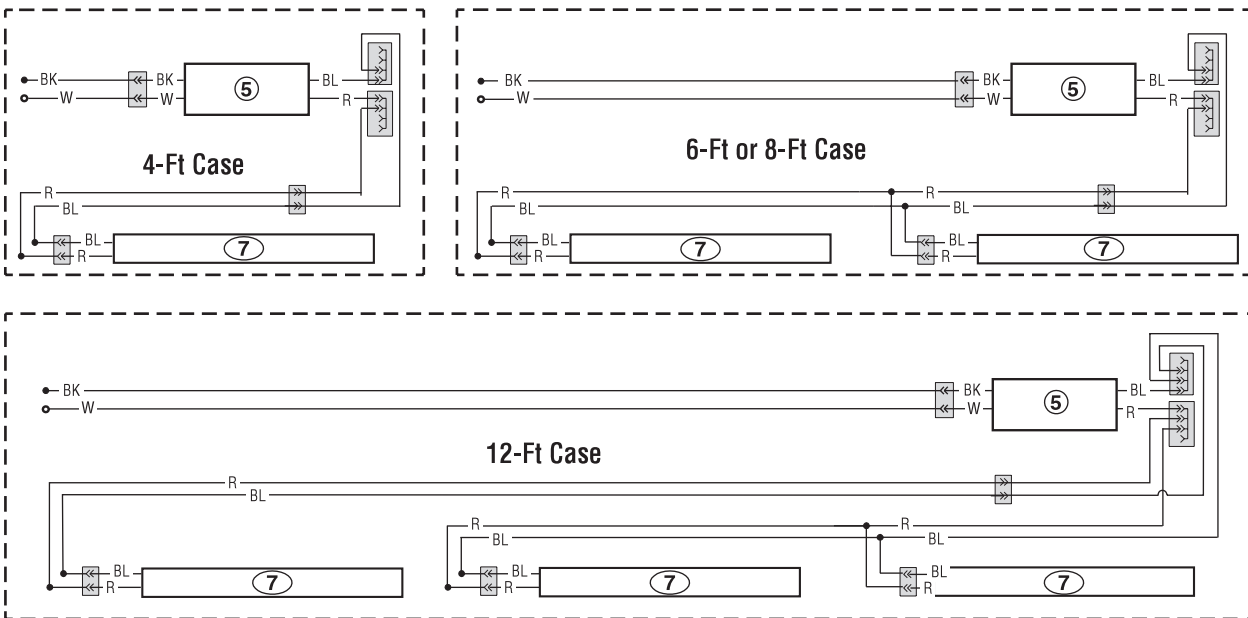
● = 120V POWER   ○ = 120V NEUTRAL   ⚡ = FIELD GROUND   ≡ = CASE GROUND

# Optional Canopy and Rail Light Circuits — LED Fixtures

## EcoShine II LED Canopy Lighting — 1 Row



## EcoShine II LED Rail Lighting — 1 Row



### WARNING

All components must have mechanical ground, and the merchandiser must be grounded.

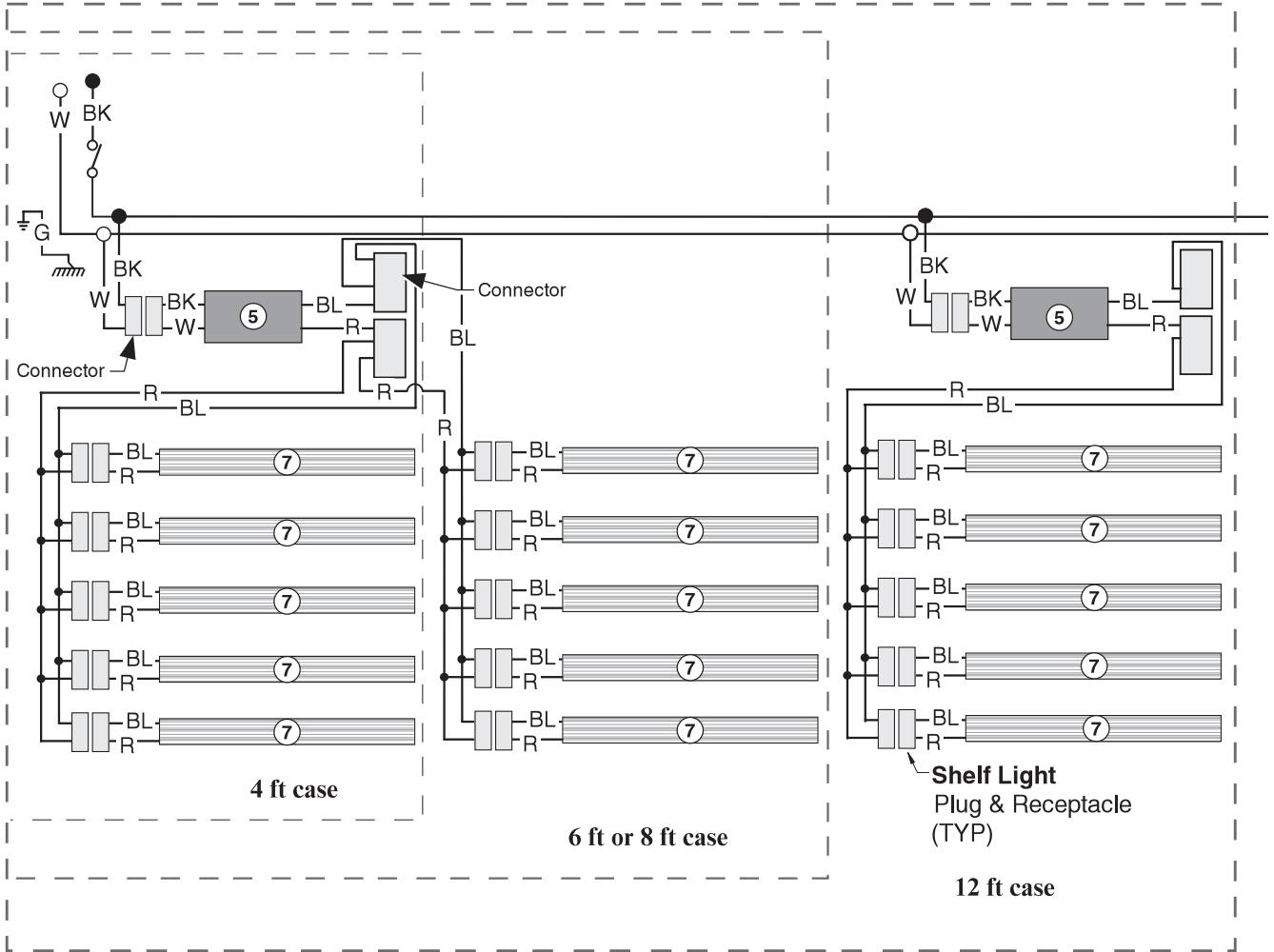
CIRCLED NUMBERS = PARTS LIST ITEM NUMBERS

R = Red Y = Yellow G = Green BL = Blue BK = Black W = White

● = 120V POWER ○ = 120V NEUTRAL ⚡ = FIELD GROUND  $\overline{|||}$  = CASE GROUND

# Optional Shelf Lighting LED Fixtures

## Optional Shelf Harness and LED Light Circuits for 4 or 5 Rows of Shelves



### WARNING

All components must have mechanical ground, and the merchandiser must be grounded.

CIRCLED NUMBERS = PARTS LIST ITEM NUMBERS

R = Red

G = Green

BL = Blue

BK = Black

W = White

● = 70V POWER

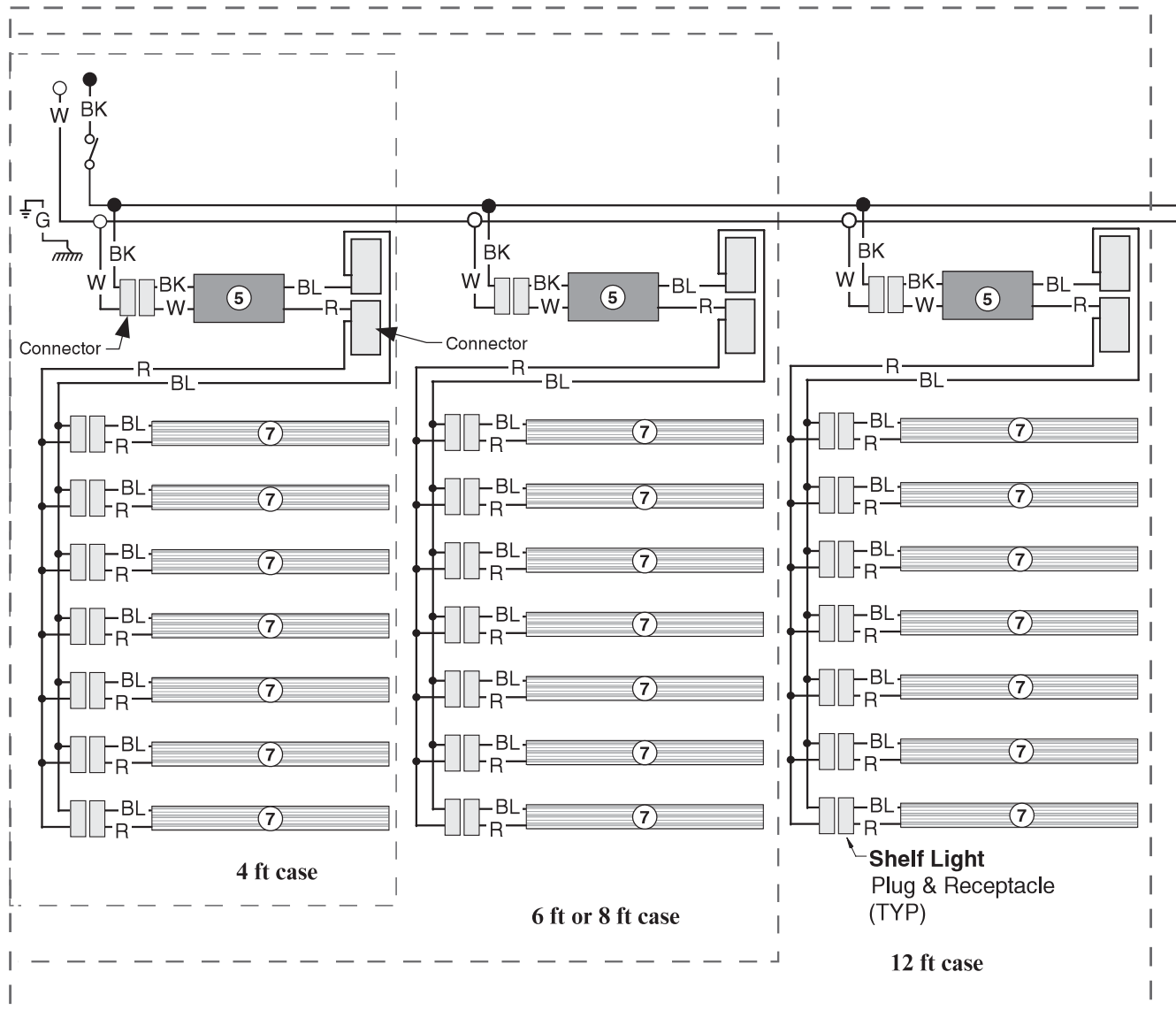
○ = 70V NEUTRAL

⊥ = FIELD GROUND

mm = CASE GROUND

# Optional Shelf Lighting LED Fixtures

## Optional Shelf Harness and LED Light Circuits for 6 or 7 Rows of Shelves



### WARNING

All components must have mechanical ground, and the merchandiser must be grounded.

CIRCLED NUMBERS = PARTS LIST ITEM NUMBERS

R = Red

G = Green

BL = Blue

BK = Black

W = White

● = 120V POWER

○ = 120V NEUTRAL

⏏ = FIELD GROUND

mm = CASE GROUND