

HUSSMANN®

Medium Temperature

Meat, Delicatessen, Dairy and Produce Merchandisers



Installation & Operation Manual

Shipped With Case Data Sheets

IMPORTANT
Keep in store for
future reference!

MANUAL- I/O EXCEL MEDIUM TEMPERATURE

P/N 0463880_W

Excel Series
January 2022

Spanish 0486356






BEFORE YOU BEGIN

Read these instructions completely and carefully.



ANSI Z535.5 DEFINITIONS

-  • **DANGER** – Indicate[s] a hazardous situation which, if not avoided, will result in death or serious injury.
-  • **WARNING** – Indicate[s] a hazardous situation which, if not avoided, could result in death or serious injury.
-  • **CAUTION** – Indicate[s] a hazardous situation which, if not avoided, could result in minor or moderate injury.
- **NOTICE** – Not related to personal injury – Indicates[s] situations, which if not avoided, could result in damage to equipment.

The information contained in this document is the property of Hussmann Corporation and shall not be used in whole or in part without written permission.

CAUTION

This manual was written in accordance with originally prescribed equipment that is subject to change. Hussmann reserves the right to change all or part of the equipment for future stores such as, but not limited to, controllers and electrical specifications.

WARNING

Do not use mechanical devices or other means to accelerate the defrosting process.

Do not use electrical appliances inside the food storage compartments of the case(s).

WARNING

Case ventilation openings must be clear of any obstructions. Do not damage the refrigerant circuit.

WARNING

PERSONAL PROTECTION EQUIPMENT (PPE)

Only qualified personnel should install and service this equipment. Personal Protection Equipment (PPE) is required whenever installing or servicing this equipment. Always wear appropriate PPE as required by OSHA regulations, as well as all other federal, state and local codes. PPE may include, but is not limited to, safety glasses, gloves, protective boots or shoes, long pants, and a long-sleeve shirt. Observe all precautions on tags, stickers, labels and literature attached to this equipment.

WARNING

Proper Field Wiring and Grounding Required!
Failure to follow code could result in death or serious injury. All field wiring **MUST** be performed by qualified personnel. Improperly installed and grounded field wiring poses **FIRE** and **ELECTROCUTION** hazards. To avoid these hazards, you **MUST** follow requirements for field wiring installation and grounding as described in **NEC** and your local/state electrical codes.

WARNING

— LOCK OUT / TAG OUT —

To avoid serious injury or death from electrical shock, always disconnect the electrical power at the main disconnect when servicing or replacing any electrical component. This includes, but is not limited to, such items as controllers, electrical panels, condensers, lights, fans, and heaters.

WARNING

Case tipping may occur if cases are not properly leveled and secured.

TABLE OF CONTENTS

<p>INSTALLATION TOOL LIST iv</p> <p>INSTALLATION</p> <p>NSF Certification..... 1-1</p> <p>Federal / State Regulation 1-1</p> <p>Location 1-1</p> <p>Shipping Damage..... 1-2</p> <p> Apparent Loss or Damage 1-2</p> <p> Concealed Loss or Damage 1-2</p> <p> Unloading..... 1-2</p> <p> Serial Plate Location 1-2</p> <p> Exterior Loading 1-2</p> <p> Merchandisers Shipped with End Installed..... 1-2</p> <p> Shipping Braces 1-2</p> <p> Shipping Rider 1-3</p> <p> Merchandiser Leveling..... 1-3</p> <p> Joining Instructions 1-5</p> <p> Prep Merchandiser 1-5</p> <p> Apply Gaskets..... 1-5</p> <p> Align End Frames 1-8</p> <p> Fasten End Frames..... 1-13</p> <p> Fasten Canopies 1-13</p> <p> Tighten End Frames..... 1-14</p> <p> Seal Merchandiser 1-14</p> <p> Install Splashguard Brackets 1-15</p> <p> Offsetting Bumper 1-15</p> <p> Installing Partitions 1-17</p> <p> Installing End Assemblies 1-17</p> <p> Front Glass Adjustment..... 1-22</p> <p> Optional Front Rail Light..... 1-23</p> <p>REFRIGERATION / ELECTRICAL</p> <p>Refrigerant 2-1</p> <p>Refrigerant Piping 2-2</p> <p> Standard Connection Location 2-2</p> <p> Optional Internal Top Piping Connections 2-2</p> <p> Multiplexing 2-4</p> <p> Line Sizing 2-4</p> <p> Oil Traps 2-4</p> <p> Pressure Drop 2-4</p> <p> Insulation 2-4</p> <p> Suction Line 2-5</p> <p> Liquid Line..... 2-5</p> <p> Refrigeration Thermostat 2-6</p> <p> Defrost Termination Thermostat 2-6</p> <p> Defrost Sequences 2-6</p> <p> Merchandiser Electrical Data 2-7</p> <p> Electrical Connections 2-7</p> <p> Field Wiring 2-7</p> <p> Identification of Wiring 2-7</p>	<p>DRIP PIPING AND SPLASHGUARDS</p> <p>Waste Outlet and Water Seal..... 3-1</p> <p>Installing Drip Piping..... 3-1</p> <p> Optional Drip Piping Arrangements 3-2</p> <p>Installing Splashguards 3-3</p> <p>START UP / OPERATION</p> <p>Start Up 4-1</p> <p>Stocking 4-1</p> <p>Load Limits 4-1</p> <p>Install Shelves 4-2</p> <p>Multi-deck Shelf Configuration..... 4-2</p> <p>Shelf Maximum Weight Limits 4-3</p> <p>Installing CaseShield PTM(s) 4-4</p> <p>Multi-deck Shelf Alignment..... 4-5</p> <p>LED Light Fixtures 4-5</p> <p>Installing Lighted Shelves 4-6</p> <p>Installing FDA/NSF Required Thermometer..... 4-8</p> <p>MAINTENANCE</p> <p>Care and Cleaning 5-1</p> <p> Fan Plenum 5-1</p> <p> Removable Return Air Grille..... 5-1</p> <p> Fascia Panels 5-1</p> <p> Exterior Surfaces..... 5-1</p> <p> Interior Surfaces 5-1</p> <p> Cleaning Mirrors 5-2</p> <p> Cleaning Honeycomb Assemblies 5-3</p> <p> Cleaning Stainless Steel Rails 5-4</p> <p> Removing Interior Back Panels..... 5-4</p> <p> Cleaning Coils 5-4</p> <p> Removing Scratches from Bumper 5-4</p> <p> Cleaning Under Merchandisers..... 5-4</p> <p>SERVICE</p> <p>Replacing Fan Motors and Blades 6-1</p> <p>Replacing LED Canopy Light Bars 6-2</p> <p>Replacing LED Shelf Light Bars..... 6-2</p> <p>Replacing LED Power Supplies..... 6-3</p> <p>Repairing Aluminum Coil 6-4</p> <p>WARRANTY</p>
--	--

EXCEL INSTALLATION TOOL LIST

Unloading From Trailer:

Lever Bar (also know as a Mule, Johnson Bar,
J-bar, Lever Dolly, and pry lever)
Moving Dolly

Setting Case Line-Up:

Level, 4 ft suggested
Ratchet
1/4 in. Socket
5/16 in. Socket
1/2 in. Socket
Battery Drill/Screw Gun
Caulking Gun
10 in. Adjustable Crescent Wrench

REVISION HISTORY

REVISION W

1. Added Coil Cleaning note, Page 5-4

REVISION V

1. CaseShieldPTM notes, Page 4-4 ; LED light fixtures notes, Page 4-5; Honeycomb screws, Page 5-3

REVISION U

1. CaseShieldPTM, Page 4-4; Removed Ballast and Fluorescent Fixtures

REVISION T

1. Inserted Misting Warning Page 2-7

REVISION S

1. Inserted California Warning; removed revisions A - Q deleted two pages.

REVISION R

1. Revised Refrigerant, Page 2-1

INSTALLATION

NSF LISTING

These merchandisers are manufactured to meet ANSI / UL 471 standard requirements for safety. Proper installation is required to maintain this listing. Near the serial plate, each case carries a label identifying the type of conditions for which the merchandiser was tested.

ANSI/NSF-7 Type I – Display Refrigerator / Freezer Intended for 75°F / 55%RH Ambient Application

ANSI/NSF-7 Type II – Display Refrigerator / Freezer Intended for 80°F / 55%RH Ambient Application

ANSI/NSF-7 – Display Refrigerator Intended for Bulk Produce

FEDERAL / STATE REGULATION

These merchandisers, at the time they are manufactured, meet all federal and state / provincial regulations.

LOCATION

These merchandisers are designed for displaying products in air conditioned stores where temperature is maintained at or below the ANSI/NSF-7 specified level and relative humidity is maintained at or below 55%.

Placing refrigerated merchandisers in direct sunlight, near hot tables or near other heat sources could impair their efficiency.

Like other merchandisers, these are sensitive to air disturbances. Air currents passing around merchandisers will seriously impair their operation. Do NOT allow air conditioning, electric fans, open doors or windows, etc. to create air currents around the merchandisers.

Excel merchandisers have internal frames. A 3 inch (76 mm) space between the rear of the merchandiser and wall must be maintained for air circulation. However, in high ambient conditions, sweating may still occur. If this happens install a method of forced ventilation such as a fan ventilation kit.



This warning does not mean that Hussmann products will cause cancer or reproductive harm, or is in violation of any product-safety standards or requirements. As clarified by the California State government, Proposition 65 can be considered more of a 'right to know' law than a pure product safety law. When used as designed, Hussmann believes that our products are not harmful. We provide the Proposition 65 warning to stay in compliance with California State law. It is your responsibility to provide accurate Proposition 65 warning labels to your customers when necessary. For more information on Proposition 65, please visit the California State government website.

⚠ WARNING

Do NOT stand or walk on top of merchandiser because. Do not place items or flammable materials atop the unit.

SHIPPING DAMAGE

All equipment should be thoroughly examined for shipping damage before and during unloading. This equipment has been carefully inspected at our factory. Any claim for loss or damage must be made to the carrier. The carrier will provide any necessary inspection reports and/or claim forms.

Apparent Loss or Damage

If there is an obvious loss or damage, it must be noted on the freight bill or express receipt and signed by the carrier's agent; otherwise, carrier may refuse claim.

Concealed Loss or Damage

When loss or damage is not apparent until after equipment is uncrated, retain all packing materials and submit a written request to the carrier for inspection, within 15 days.

UNLOADING

Improper handling may cause damage to the merchandiser when unloading. To avoid damage:

1. Do not drag the merchandiser out of the trailer. Use a Johnson bar (mule).
2. Use one dolly to remove the merchandiser from the trailer.
3. Use two dollies to move merchandisers to lineup.

SERIAL PLATE LOCATION

Direct a flashlight through the return air grille to locate the serial plate. **BE SURE TO POSITION WIDE ISLAND MERCHANDISER FRONTS PROPERLY.** The front of wide island merchandisers is readily identified by the location of the serial plate affixed to the inside of the left front assembly. Since all electrical and refrigeration connections will be made at the front side, the fronts will need to be positioned according to the store plan layout.

EXTERIOR LOADING

Do NOT walk on top of merchandisers or damage to the merchandisers and serious personal injury could occur. **THEY ARE NOT STRUCTURALLY DESIGNED TO SUPPORT EXCESSIVE EXTERNAL LOADING** such as the weight of a person. Do not place heavy objects on the merchandiser.

MERCHANDISERS SHIPPED WITH END INSTALLED

If the merchandiser was shipped with the end installed, two long bolts were used to hold the shipping brace to the end. If the shipping bolts are reinserted after removing the brace, they will extend into the product area. **THEREFORE, BE SURE TO REPLACE THESE BOLTS WITH THE SHORTER BOLTS PROVIDED.** NSF requires any bolt or screw in the product area be capped or cut off if it has more than three exposed threads.

NOTE:

Be careful not to damage the factory installed end while moving the case. Make sure that tools are positioned past the end and beneath the merchandiser's support bar.

SHIPPING BRACES

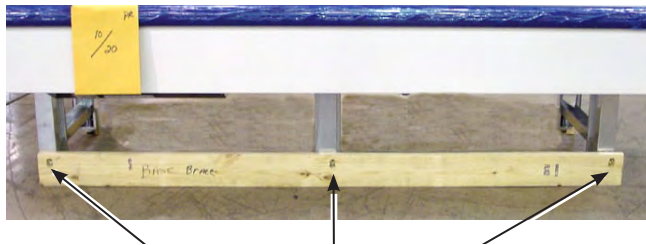
Move the merchandiser as close as possible to its permanent location and then remove all packaging. Check for damage before discarding packaging. Remove all separately packed accessories such as kits and shelves. Remove end braces and discard hardware.

WARNING

Do NOT remove shipping braces until the merchandisers are positioned for installation.

SHIPPING RIDER

Each merchandiser is shipped on a rider to protect the factory installed front legs, and to make positioning the merchandiser easier. **DO NOT remove the front rider until the merchandiser has been positioned.** Once the rider is removed, the case must be lifted –NOT PUSHED– to reposition. To remove the rider, remove bolts attaching rider to each leg.



Remove Bolts from Front

MERCHANDISER LEVELING

Merchandisers must be installed level to ensure proper operation of the refrigeration system and to ensure proper drainage of defrost water. During all steps of setting, joining and leveling merchandisers, close attention to position and operation must be maintained.

NOTE: BEGIN LINEUP LEVELING FROM THE HIGHEST POINT OF THE STORE FLOOR.

Preparation

1. Using store blueprints, measure off and mark on floor the exact dimensions/locations of the merchandiser footprint. **A 3 inch space is required behind each merchandiser to prevent condensation.**
2. Snap a chalk line for the front and rear positions of the base legs.
3. Mark the location of each joint from front to back lines.


4. FLOORS ARE NOT LEVEL!!! When working with two or more merchandisers to be joined, the whole lineup must be leveled on the same plane, left to right and front to back. This means that the entire lineup must be brought up to the level of the highest case in the lineup.

Along the lines previously marked, find the highest point of the floor by:

- Walking the floor and noticing any dips or mounds;
- Using a string level; and
- Using a transit.

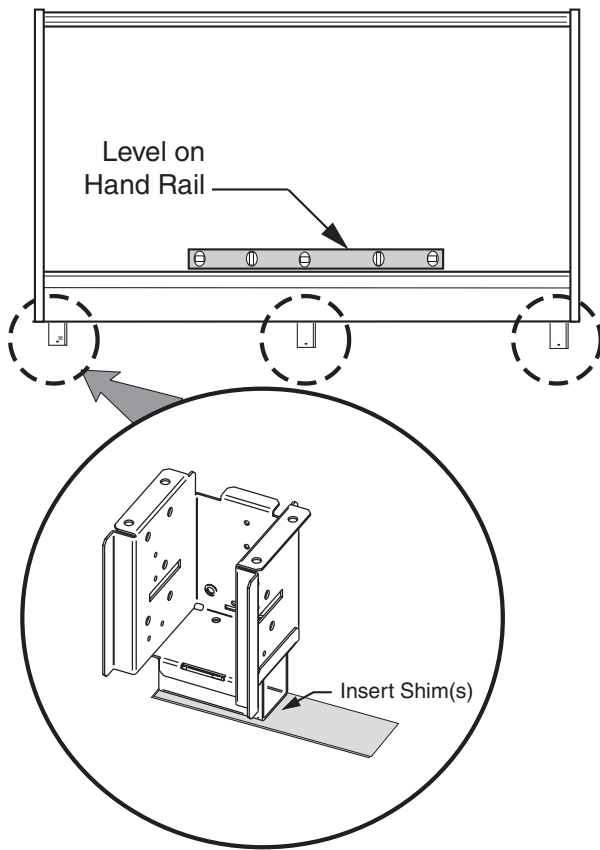
Leveling

Position the first merchandiser at the highest point on the floor. Work outward from that point to create the merchandiser lineup. Use a 48 inch (1220 mm) or longer level for end-to-end leveling. The rear edge of the top foam panel of the merchandiser is a good location for the level at the rear of the case, and the top rail is a good location for the level at the front of the merchandiser. For leveling the merchandiser front-to-rear, a 24 inch (610 mm) level should be placed on the lower flange of the merchandiser end frame. If the merchandiser has a factory installed end, the level should be placed on the canopy support brackets on top of the merchandiser. Suggested level locations are shown in the following illustrations.

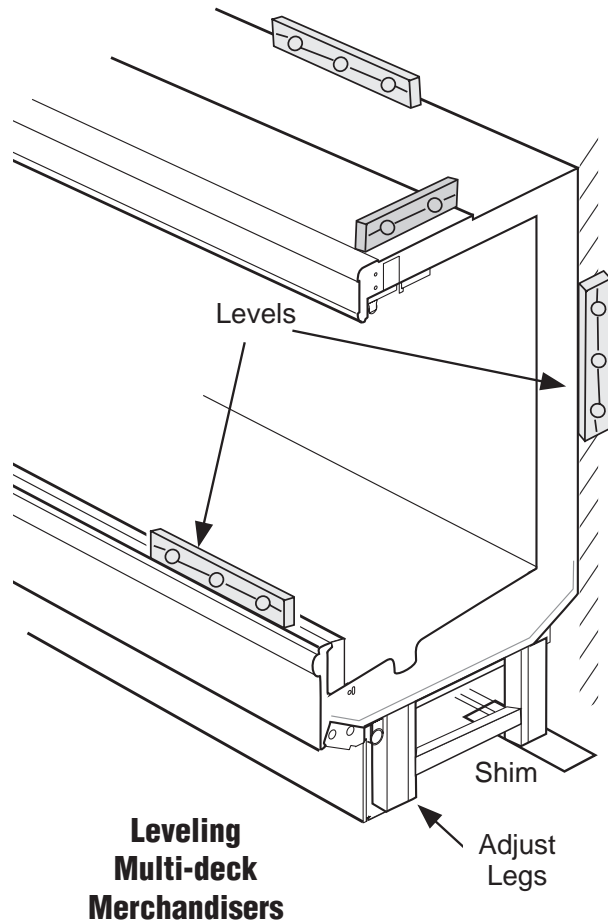
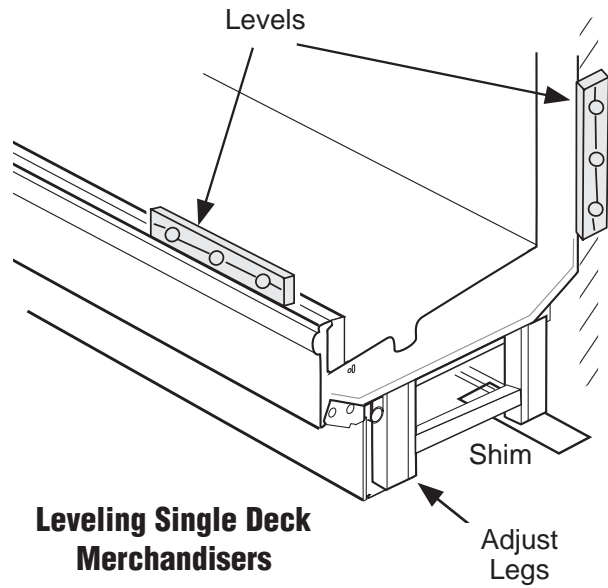
 CAUTION
<p>Tipping Hazard</p> <p>Case tipping may occur if cases are not properly leveled and secured, or if cases are not properly loaded.</p>

1-4 INSTALLATION

Level the merchandiser by all four corners. Start at the rear by placing the provided shims as needed under each end of the rear base rail. The shims are long enough to allow adjoining merchandisers to be leveled with the same shim. **When the rear of the case is level end-to-end, move to the front of the case.** Use shims as needed at each front corner so that the front is also level from end-to-end and front-to-rear.



The merchandiser should be solidly supported at least every 4 feet (1220 mm). Once the merchandiser is level, if any gaps are present under the base rail, shims should be inserted approximately in line with the center front support legs to support the rear of the case. At the front of the case, insert shims under each of the center legs so that they support the front of the merchandiser.



NOTE: Do not place levels on Display Pans or on Shelves.

Once the merchandiser is level, the front glass panels may need adjustment before joining. See Page 1-20.

Merchandisers with optional front rail light must have end caps installed. See Page 1-21 for details.

JOINING INSTRUCTIONS

Sectional construction means that two or more merchandisers may be joined in line yielding one long continuous display requiring one pair of ends.

ALL JOINTS MUST BE AIR-TIGHT TO PREVENT FORMATION OF ICE OR CONDENSATION.

Prep Merchandiser

1. Check to be sure that merchandisers are level and that the factory-installed nut retainers are in place. Locate the Joining Kit and check contents.
2. Remove shelves (if installed), display racks, pans and front air grilles from the right end.
3. Remove the rear interior panel(s) from the right end. On multi-deck merchandisers remove the lower back panel first. To remove a panel, lift it up from its bottom edge and out. No tools required.

Apply Gaskets as Follows:

Right End

1. Apply the 1 inch (25 mm) gasket around the perimeter of the merchandiser as shown. It must be at the edge. Check to be sure that there are no gaps between gasket and merchandiser.
2. Apply the 1⁵/₈ in. (41 mm) gasket so that one edge is on the metal merchandiser frame and the parallel edge laps the 1 inch gasket. Check to be sure that there are no gaps between merchandiser and gaskets.

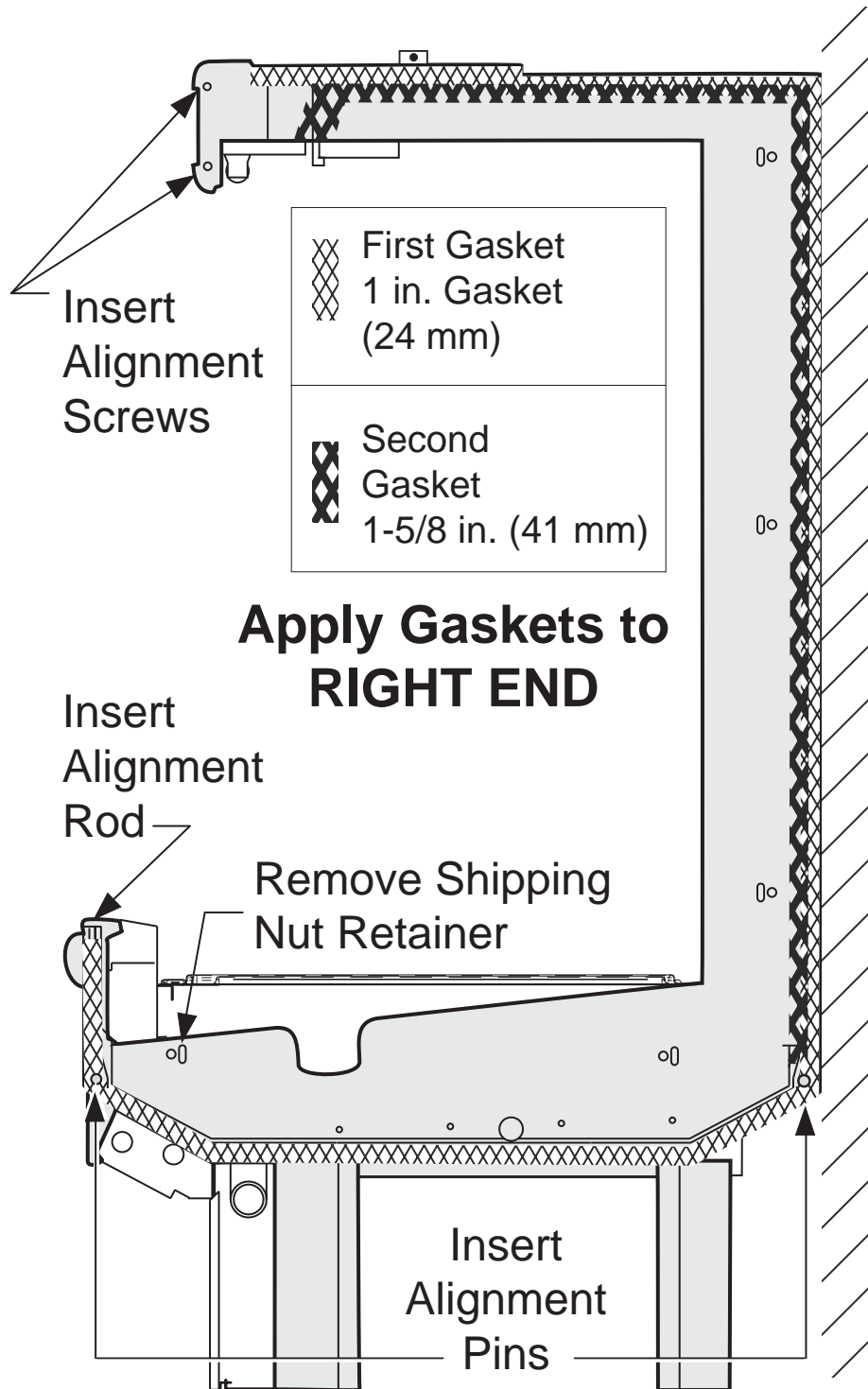
***REFER TO GASKET DIAGRAM AND
DETAIL VIEWS ON NEXT TWO PAGES.***

A continuous bead of silicone sealant/ caulk may be used in addition to gaskets on mating surfaces but must not be used in lieu of gaskets.

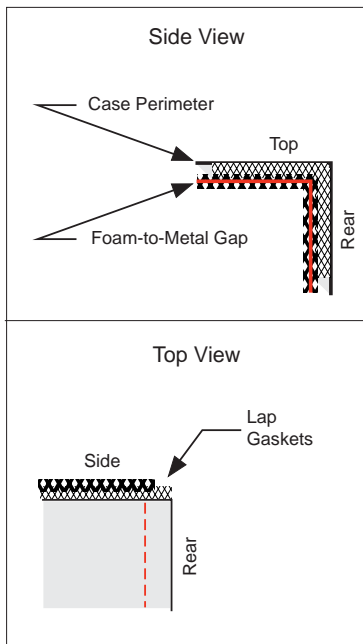
IMPORTANT

- Do not stretch gasket, especially around corners.
- Do not butt gaskets; always overlap them as shown.
- Remove paper backing after gasket has been applied.
- *Perimeter gasket required.*
- End caps required for rail light.

Maintain a 3 in. space between merchandiser and wall to prevent condensation.





Gasket Detail Views



Gasket Location for Joining (Multi-deck)

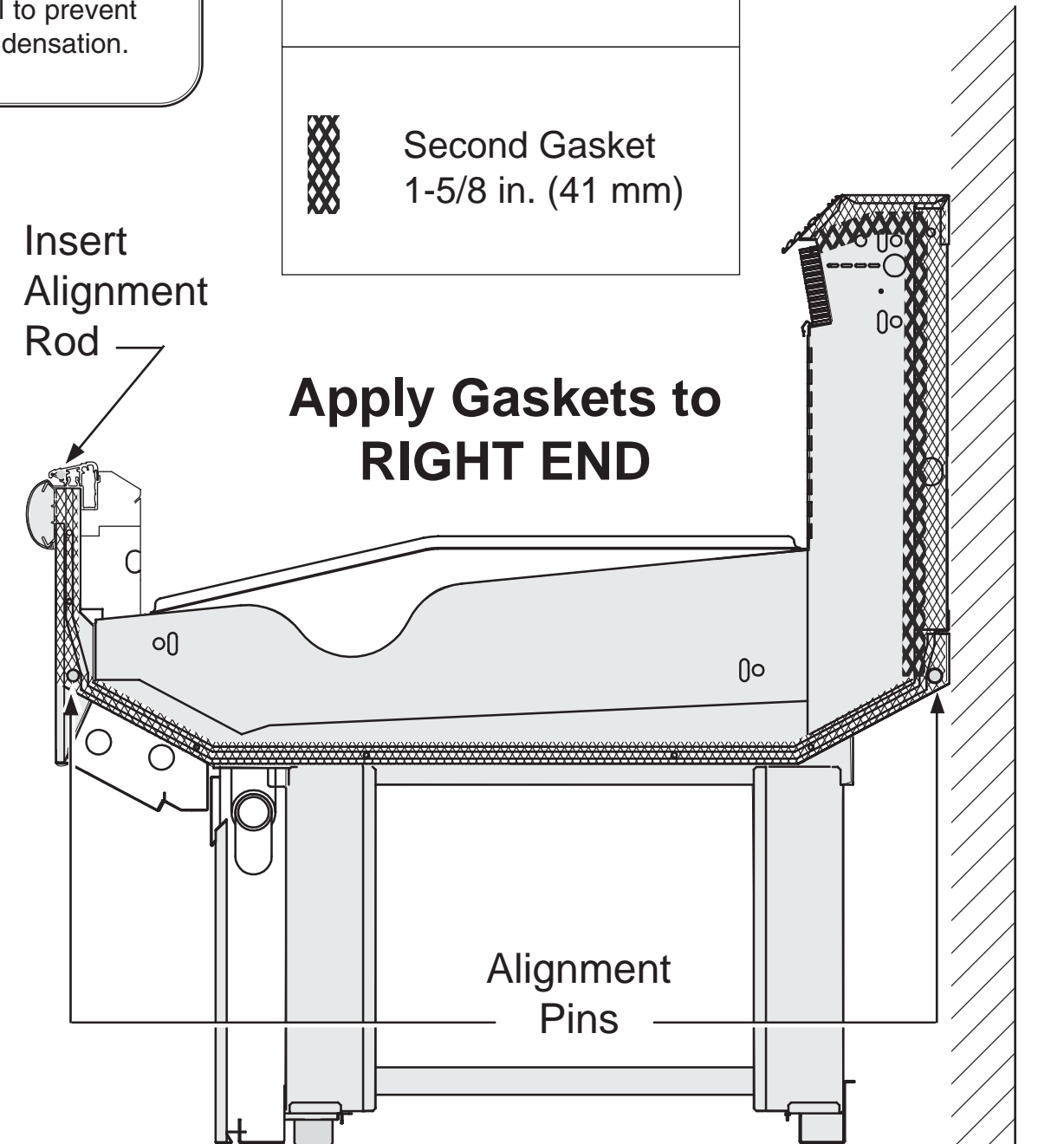
(see Page 1-18 for End Gasket)

Maintain a 3 in. space between merchandiser and wall to prevent condensation.

	First Gasket 1 in. (24 mm)
	Second Gasket 1-5/8 in. (41 mm)

Insert Alignment Rod

Apply Gaskets to RIGHT END



Alignment Pins

Gasket Location for Joining (Single Deck)

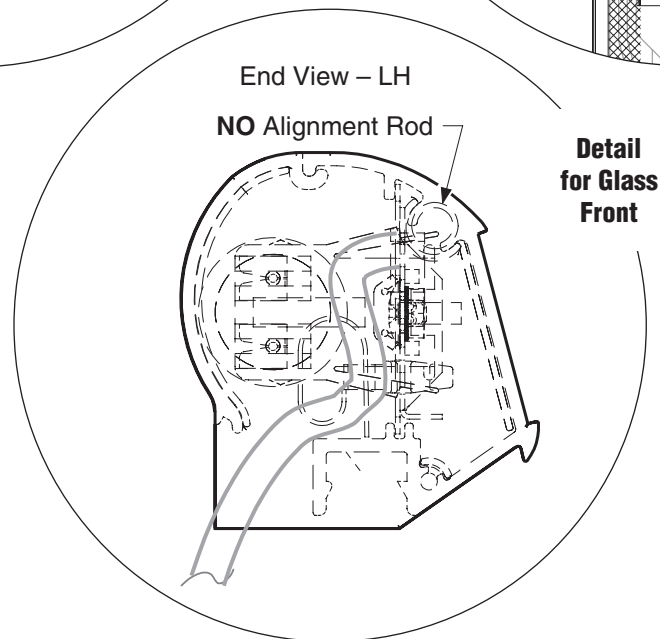
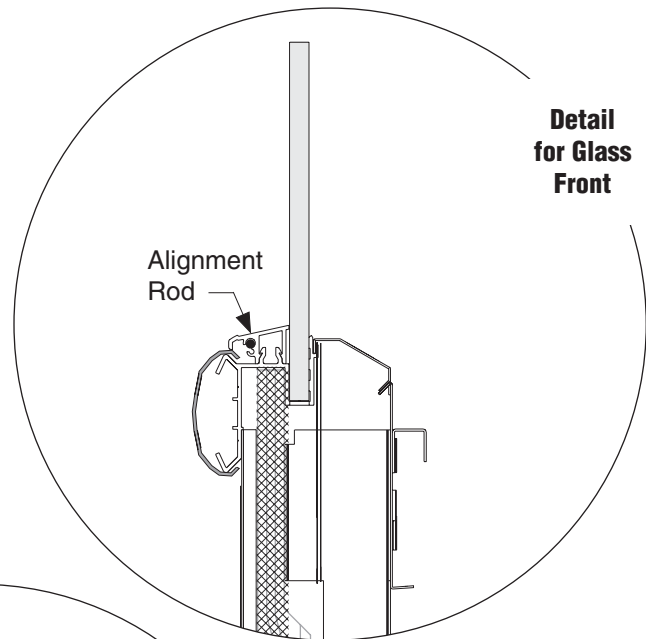
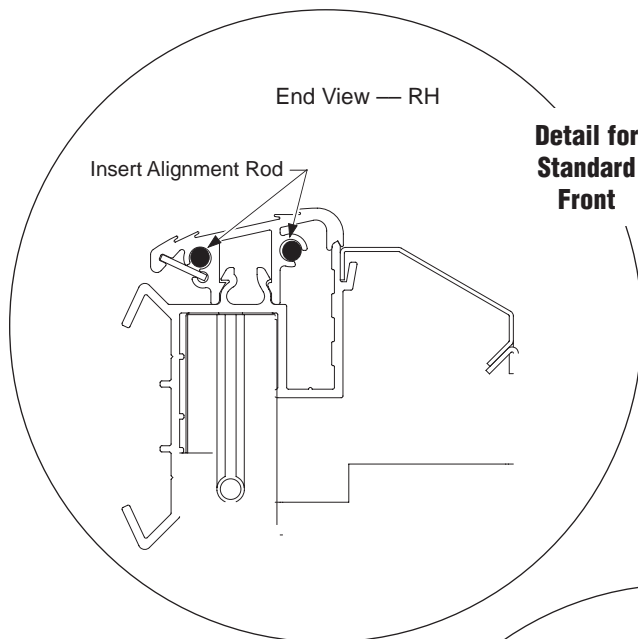
1-8 INSTALLATION

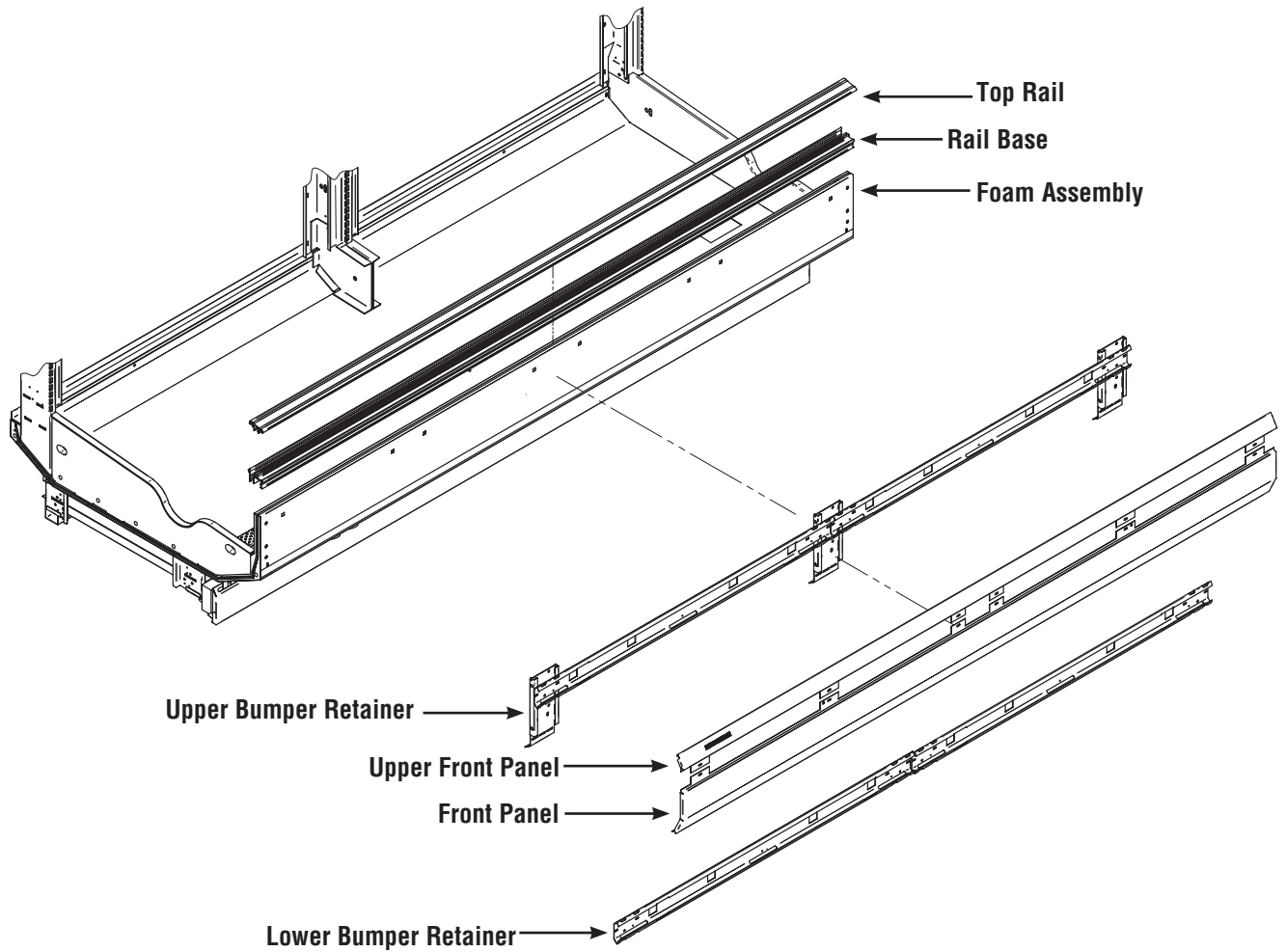
Align End Frames

IMPORTANT: ALIGNMENT ORDER IS DIFFERENT FROM TIGHTENING ORDER! REFER TO THE ILLUSTRATION.

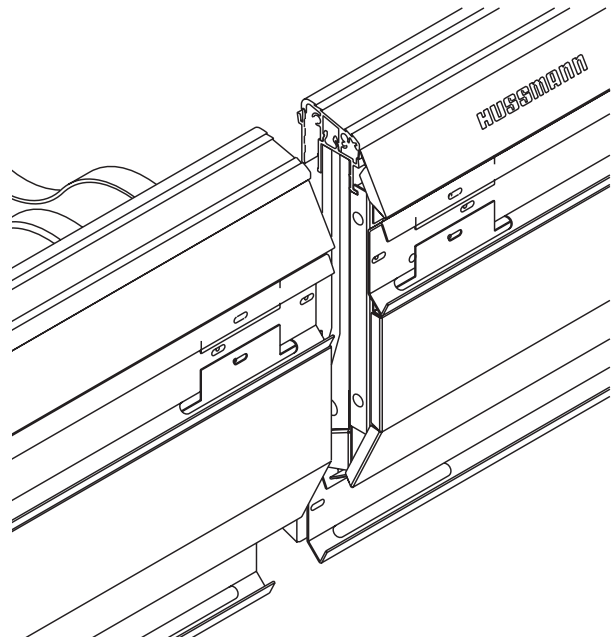
NOTE: Merchandisers must be level before joining.

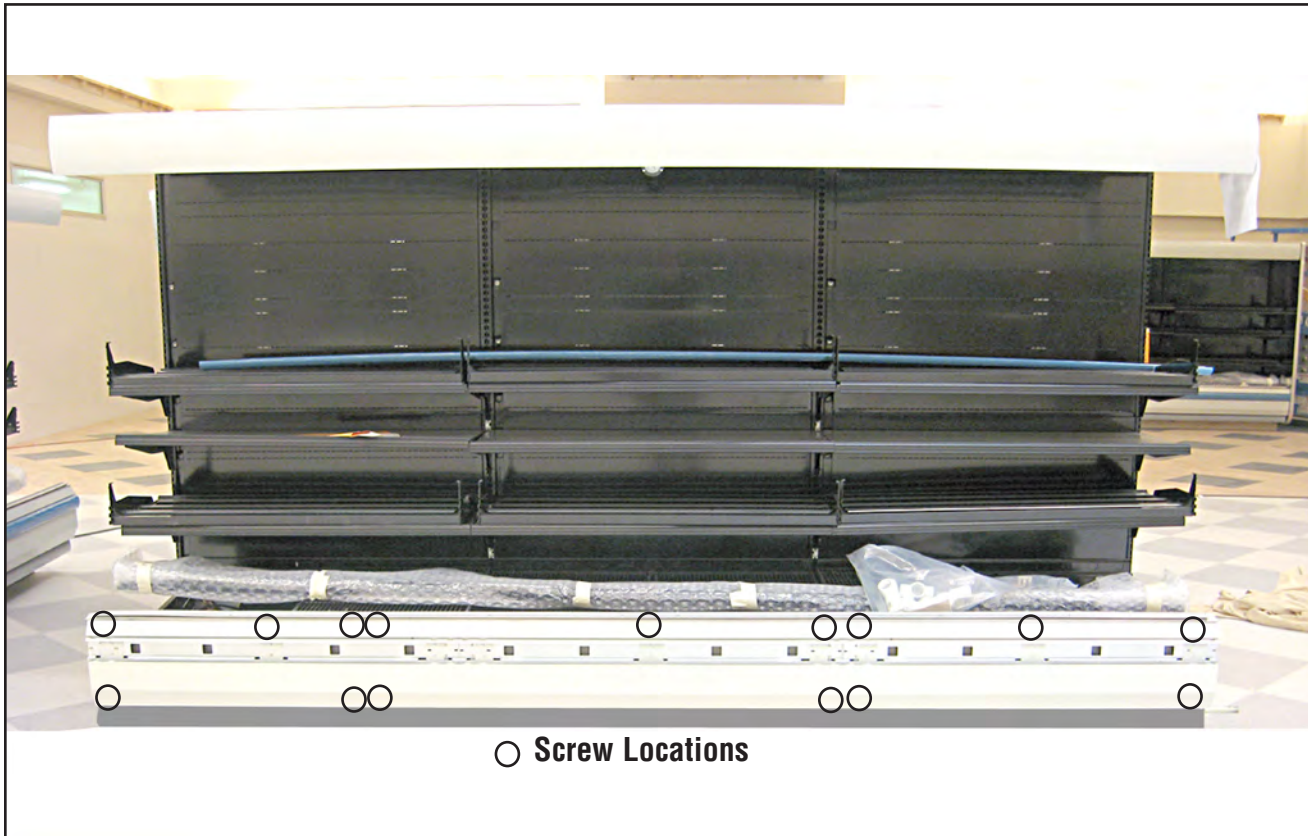
1. Insert alignment rod at lower front and lower back.
2. Remove factory-installed nut retainer from lower front end frame(s).
3. Move the second case as close to the first as possible by pushing or using lever bar (mule).
4. Insert the alignment rod ($\frac{1}{4}$ in. diameter x 6 in.) through hole in top rail, align and insert second rod. See standard front detail below. For glass fronts, refer to glass front detail below.
5. Match alignment pins with corresponding holes in foam bottom and canopy.





6. Verify that each merchandiser's upper front panel, front panel, and top rail align before joining merchandisers. Panels and top rail must have equal overhang at each end of the merchandiser.





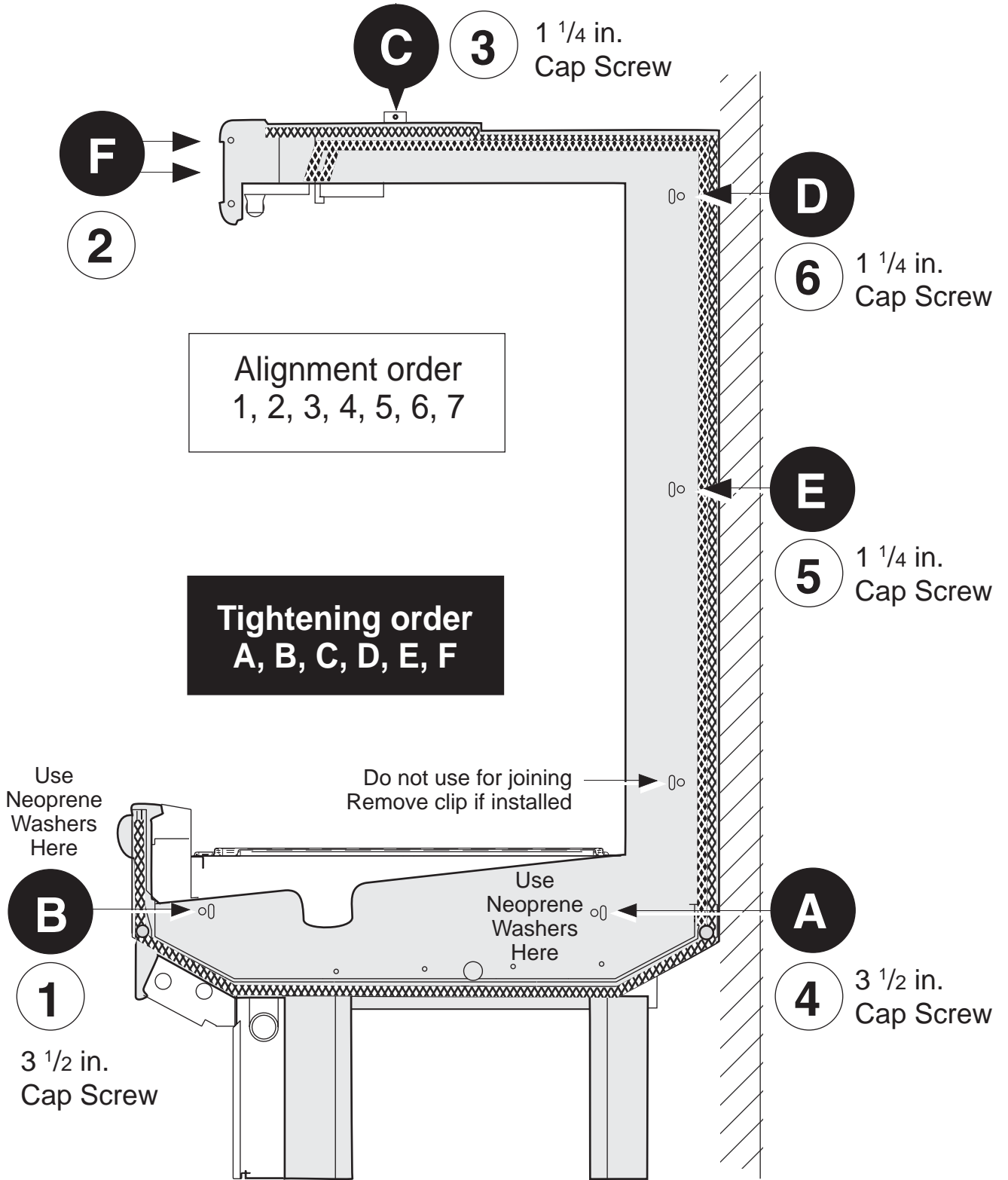
To correct vertical alignment of top rails and upper front panel, adjust shims as necessary.

To correct horizontal alignment of upper front panel and lower front panel, remove the upper bumper to access screws attached to the front panels. Once these screws are loosened, the merchandiser's upper front panel and lower front panel can be adjusted horizontally.

IMPORTANT:

ALIGNMENT ORDER IS DIFFERENT FROM TIGHTENING ORDER!

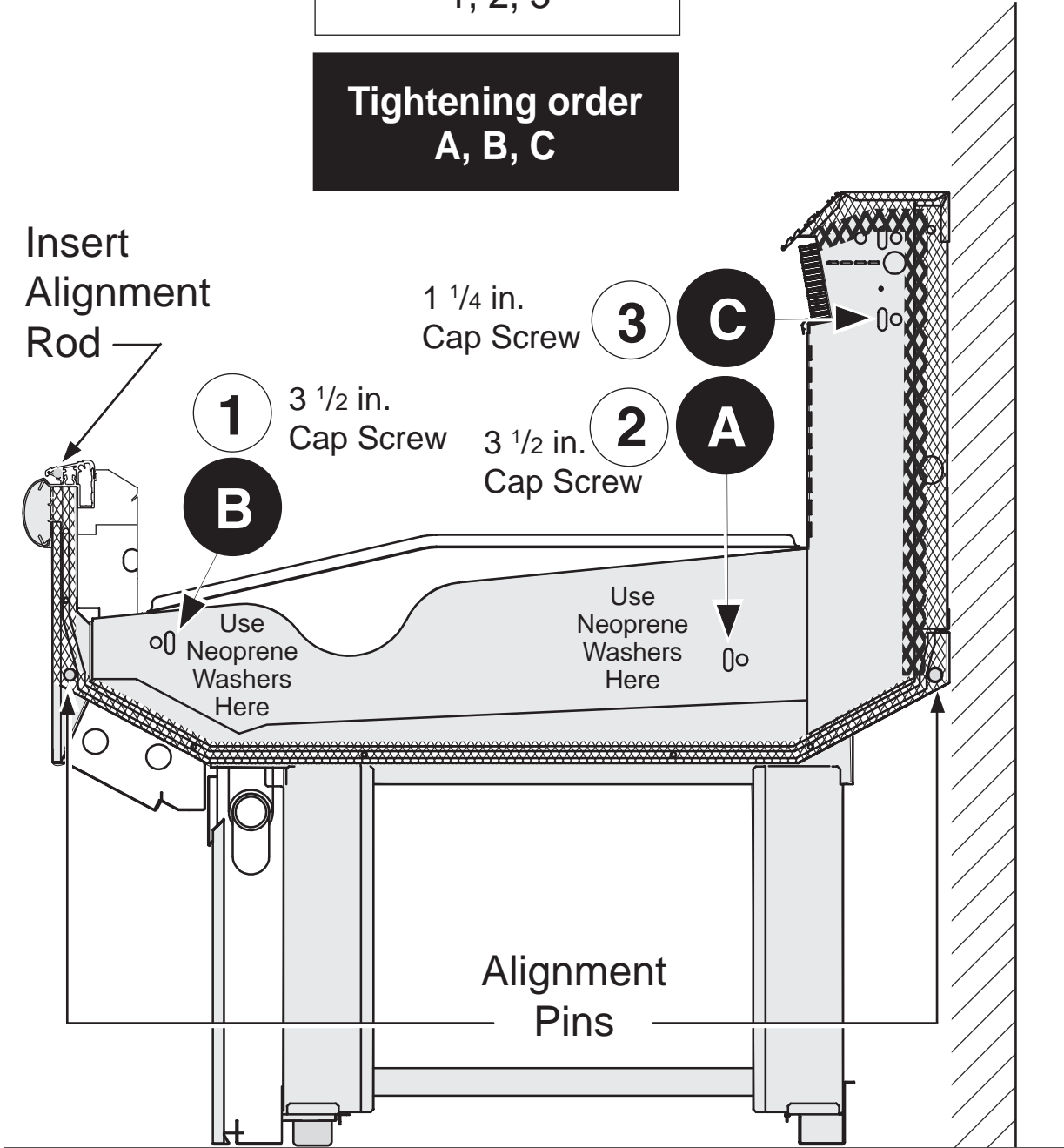
REFER TO ALIGNMENT DIAGRAM AND DETAIL VIEWS ON THE NEXT TWO PAGES.



Tighten in Order Shown

Alignment order
1, 2, 3

Tightening order
A, B, C

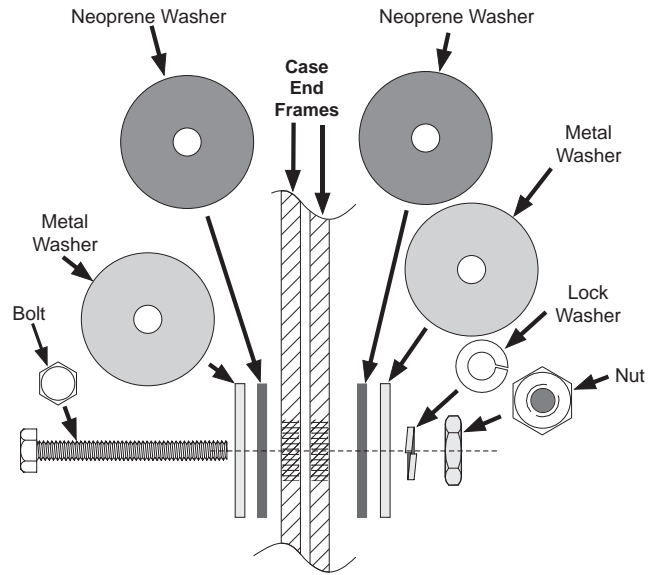
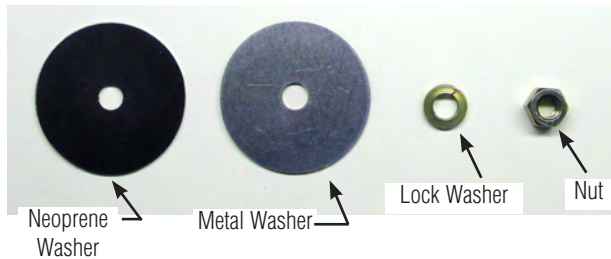


Tighten in Order Shown

Fasten End Frames

1. In both holes in bottom shoe, place a 2-inch neoprene washer between end frame and metal washer of each merchandiser. Loosely assemble bolt, washers, lockwasher and nut as shown.

DO NOT TIGHTEN FULLY.
Do not attempt to draw merchandisers together using nut and bolt.

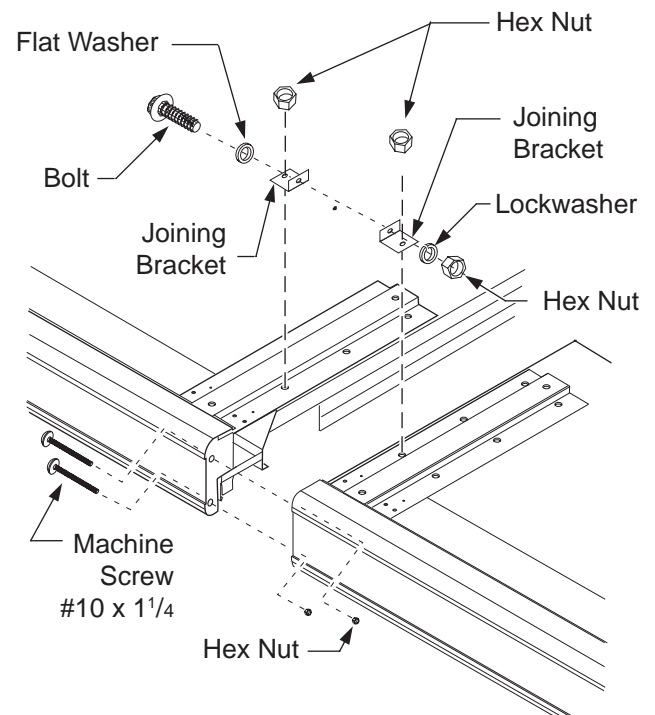


Detail for Connecting Merchandiser End Frames

Fasten Canopies

1. Insert a machine screw (#10 x 1 1/4 in.) through each hole in canopy end cap, align and insert into joining canopy end cap. Fasten with nuts. See detail at top right. **Do not tighten fully.**

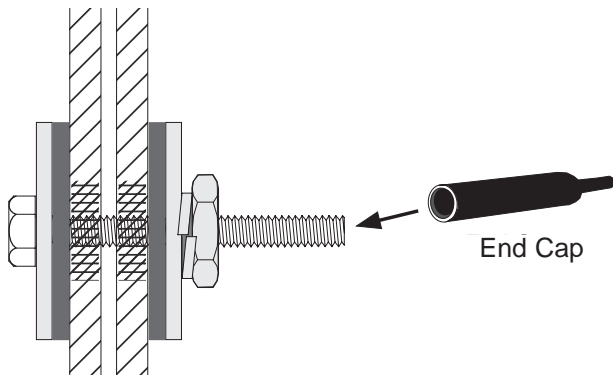
2. Draw canopies of multi-deck wall merchandisers together by using a bolt, flat washers, lockwasher and nut in the joining brackets atop the canopy. See detail at top right. **Tighten only until canopies touch.**



Detail for Connecting Canopies of Multi-deck Wall Merchandisers

Tighten End Frames

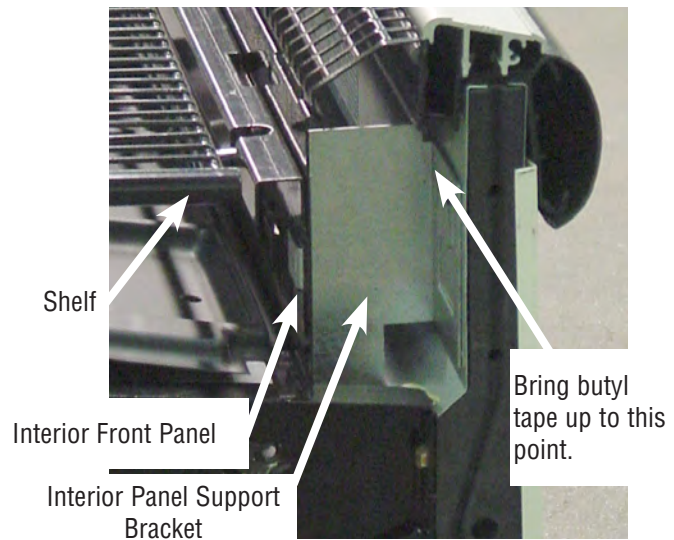
1. Begin at lower back to draw end frames tight.
2. Tighten joints following the diagrams until gaskets are compressed, and merchandisers join smoothly.
3. Tighten screws in canopy (F) to complete smooth fit.
4. Place plastic end caps over exposed threads.



NOTE: End caps must be placed over exposed threads in food product areas to maintain NSF compliance.

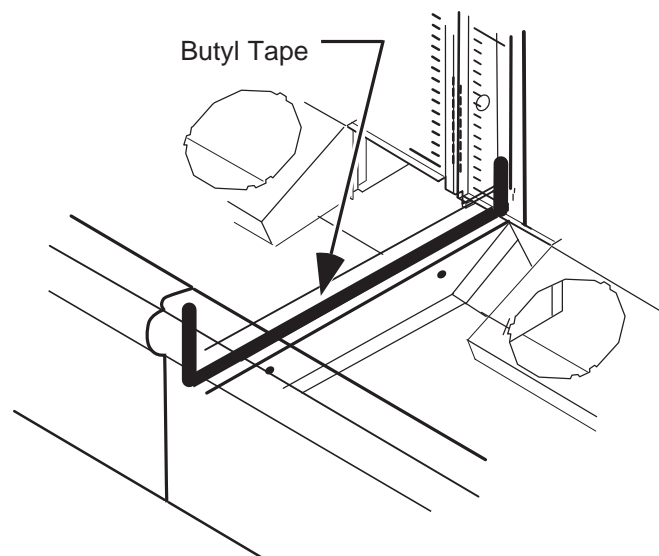
Seal Merchandisers

1. Remove wire shelf, interior front panel, and interior panel support bracket to apply butyl tape.



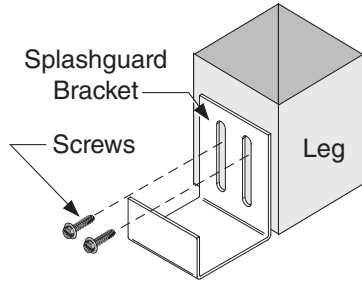
2. Apply butyl tape across the bottom joint. Be sure to extend the tape up the back and front of the merchandiser.

Silicone sealer may be applied around joining bolts on both sides in bottom shoe but isn't necessary if neoprene washers are used.



INSTALL SPLASHGUARD BRACKETS

Position splashguard brackets against the merchandiser and level to the floor. Each bracket has a 1½ in. (38 mm) slot at the rear of the bracket where it attaches to the merchandiser. Tighten screws to secure the brackets.

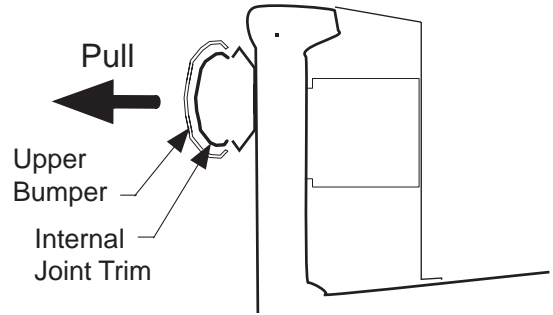


 CAUTION
To avoid leaks, install splashguard brackets before installing drip piping.

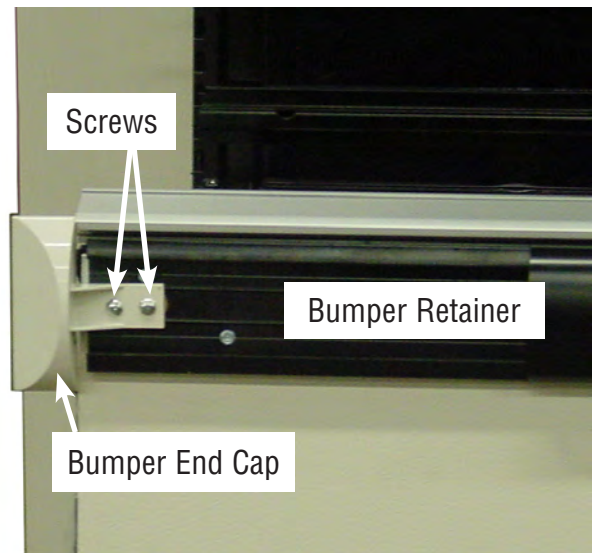
OFFSETTING BUMPER

Offsetting the bumper helps to disguise the joint locations, giving the lineup a smoother look.

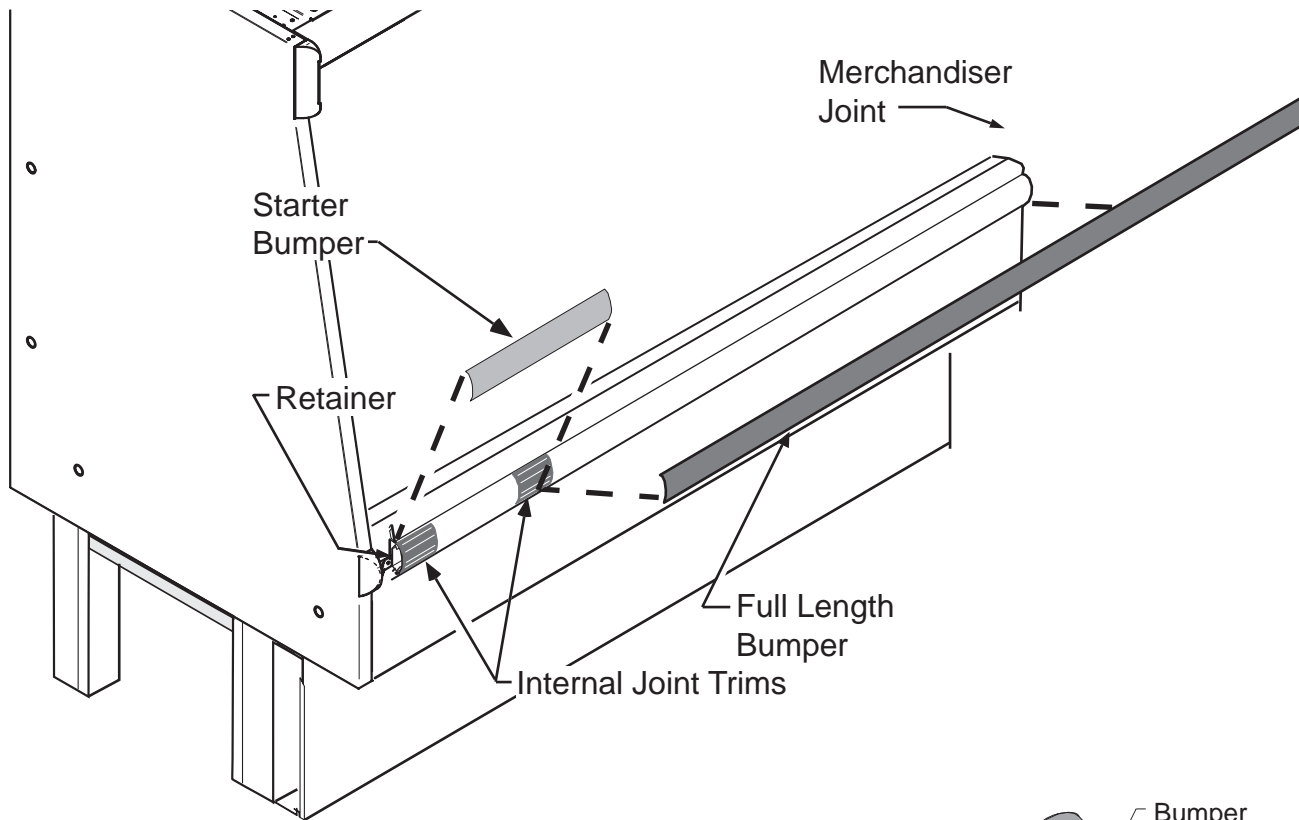
1. Locate starter bumper shipped with the left-end kit.
2. Remove factory installed bumper by pulling bumper away from bumper retainer. Be careful not to lose the internal joint trim on the bumper.



3. If not installed, install bumper end caps as shown below.



4. Starting at the left end of the lineup, install the bumper starter section first. To install:
 - a. Position internal joint trims so that the first is flush to the left-end panel and the second is centered between the started bumper and the full-length bumper as shown on the next page.

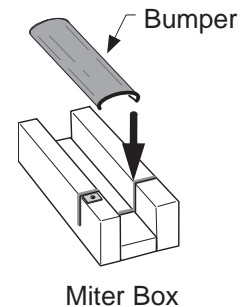


b. Install full-length bumpers and internal trims offset across joints. Make sure that no gaps exist between sections. Continue installing the bumpers the length of the lineup.

5. Once all except the last section of bumper have been installed, refrigerate the merchandiser lineup for at least six (6) hours. **The last section of bumper should be kept inside a cooler or refrigerated merchandiser during this time.** This will allow the bumper to contract.

6. Go to the right end of the lineup, and tap the bumper to close any gaps.

7. Measure and cut last sections of bumper. Use a miter box and fine-tooth saw to cut last bumper to length. Install the last section.



8. Remove protective film from bumper once installation is complete.



INSTALLING PARTITIONS

To join same temperature fixtures on different defrost cycles, an acrylic partition kit is required.

To join like or unlike fixtures operating at different temperatures, a 1¹/₂ in. (38 mm) partition kit is required. It must be installed when setting the lineup.

Instructions for installing these partitions are included with the kits.

INSTALLING END ASSEMBLIES

The following information is provided for field or retrofit installation:

1. Prepare Merchandiser

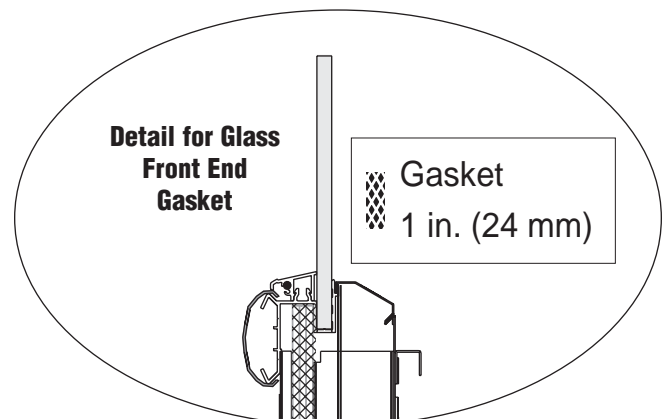
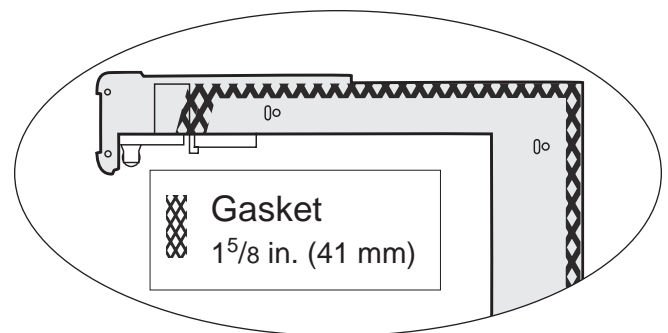
- a. Remove shelves (if installed), display racks, pans, front shelf supports and front air grilles from the section of merchandiser where end is to be installed.
- b. Remove the interior rear panel(s). On multi-deck merchandisers, remove the lower back panel, lift it up from its bottom edge and out. No tools required.
- c. **Right End Only** Install Nut Retainers into right end frame at locations shown.
- d. **Left End Only** Check that factory-installed Nut Retainers are in place.

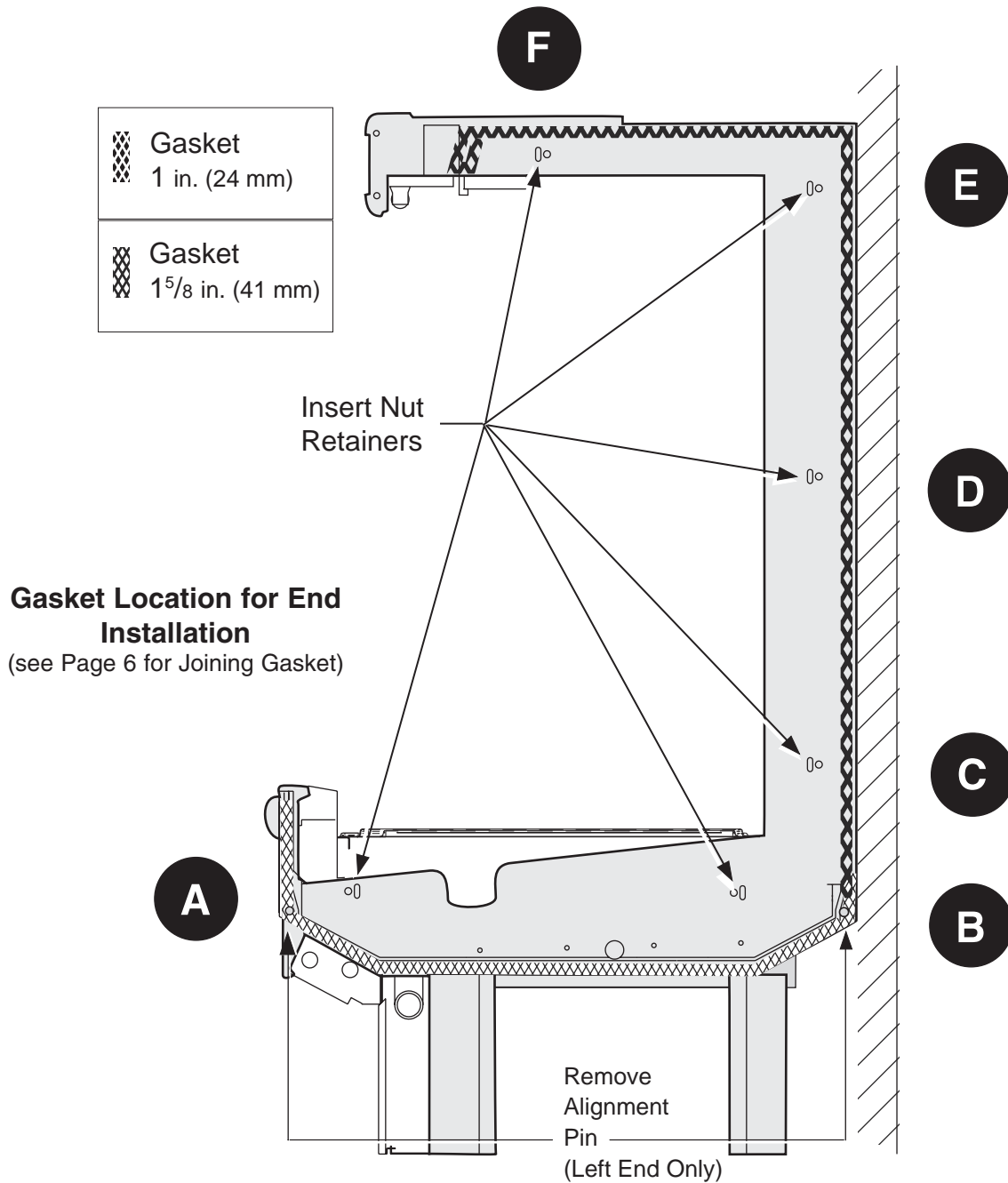
e. Remove bumper by pulling bumper away from bumper retainers. Be careful not to lose the internal joint trims.

f. **Optional Front Rail Light Only** Check that end cap is in place before gaskets are applied. See Page 1-19 for details.

2. Apply Gaskets to End Frame as Follows:

- a. Apply the 1⁵/₈ in. (41 mm) gasket to canopy and rear of the merchandiser as shown on Page 1-14. It must be at the edge. Check to be sure that there are no gaps between merchandiser and gasket.
- b. Apply the 1 inch (25 mm) gasket from front to back. It should lap the 1⁵/₈ in. gasket at the rear. Check to be sure that there are no gaps between merchandiser and gaskets. **Refer to details below.**



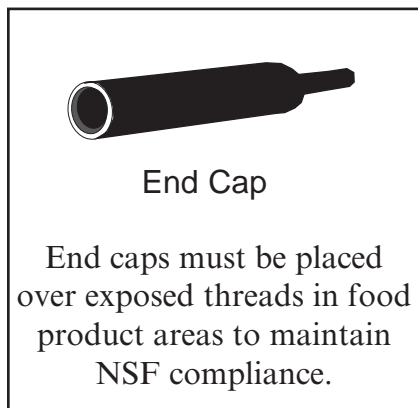


IMPORTANT

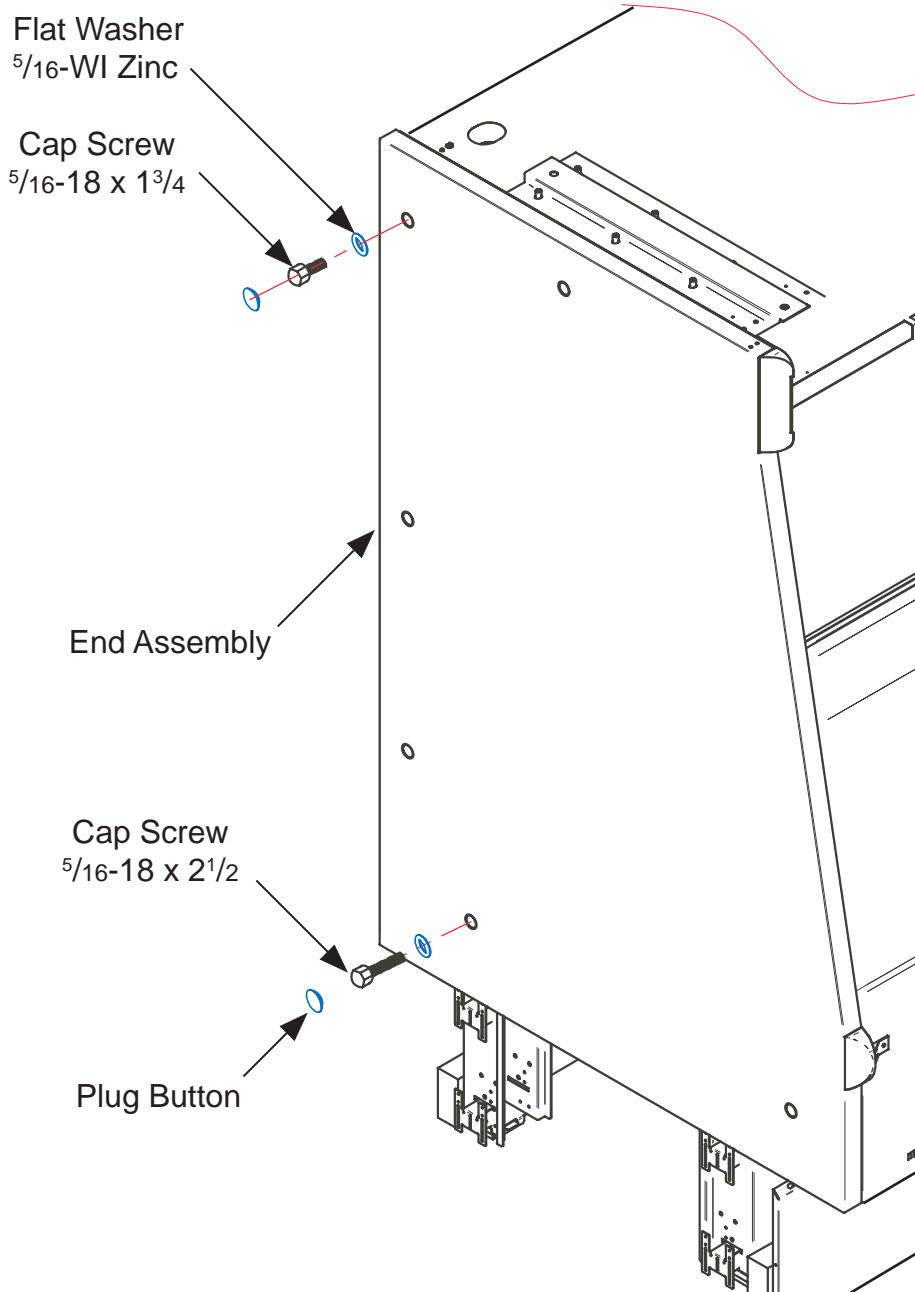
- Do not stretch gasket, especially around corners.
- Do not butt gaskets; always overlap them as shown.
- Remove paper backing after gasket has been applied.
- *Perimeter gasket is required.*
- End caps required for rail light.

3. Fasten End Assembly to Merchandiser

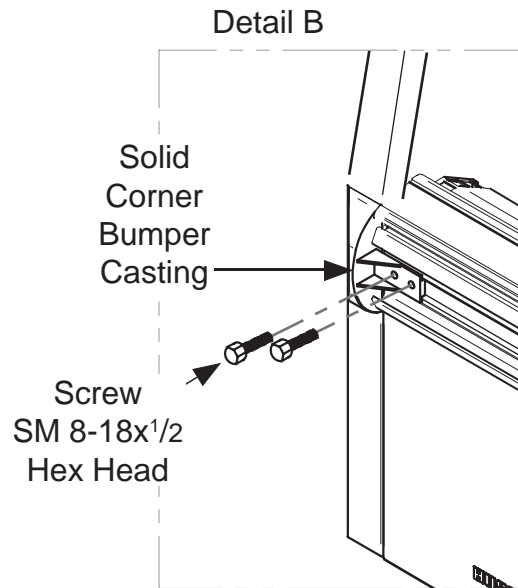
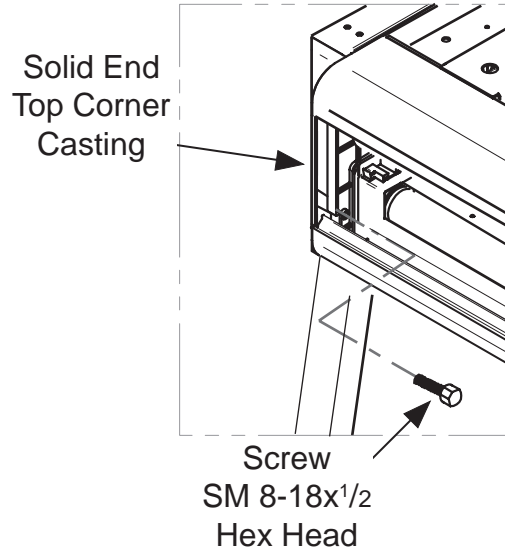
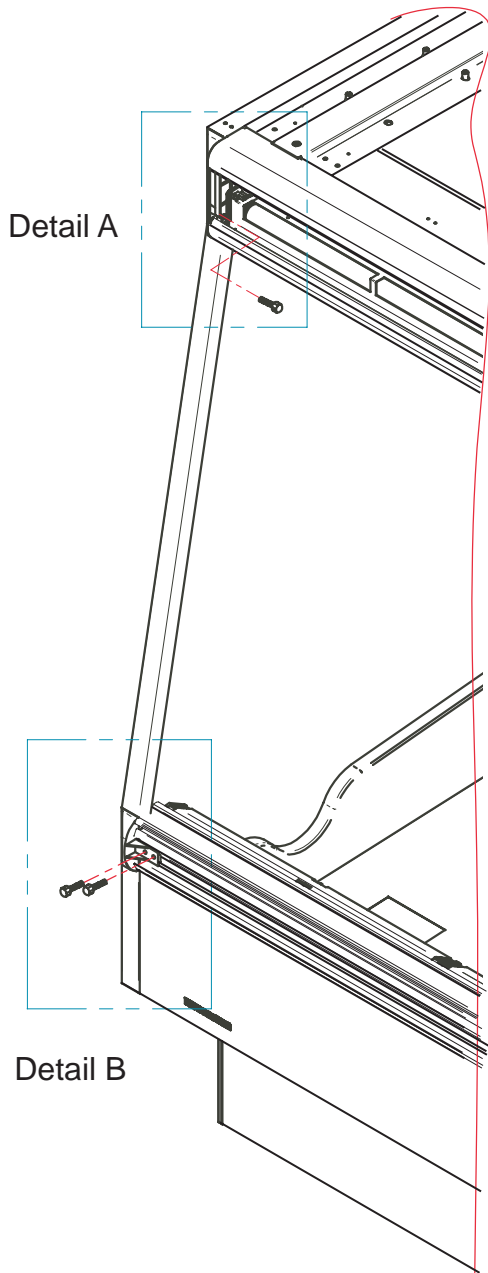
- a. Use Bolt and washer to fasten end assembly to merchandiser.
- b. Use washer with Hex Nut to secure bolt and washer at front (A) and canopy (F), similar to joining process.
- c. Tighten in order shown on Page 1-16. After fasteners have been tightened, insert Plug Buttons.



A continuous bead of silicone sealant/ caulk may be used in addition to gaskets on the end frame surfaces but must not be used in lieu of gaskets.



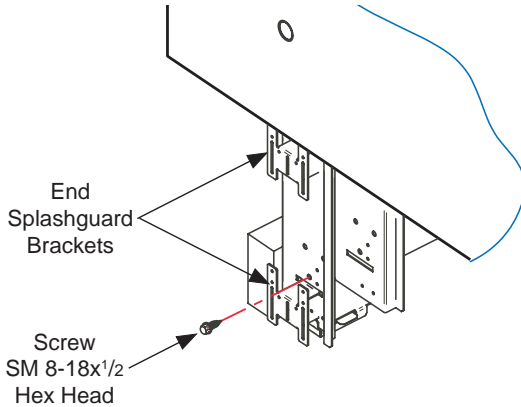
d. Install Top and Bottom Corner Castings as shown below.



4. Install End Splashguard

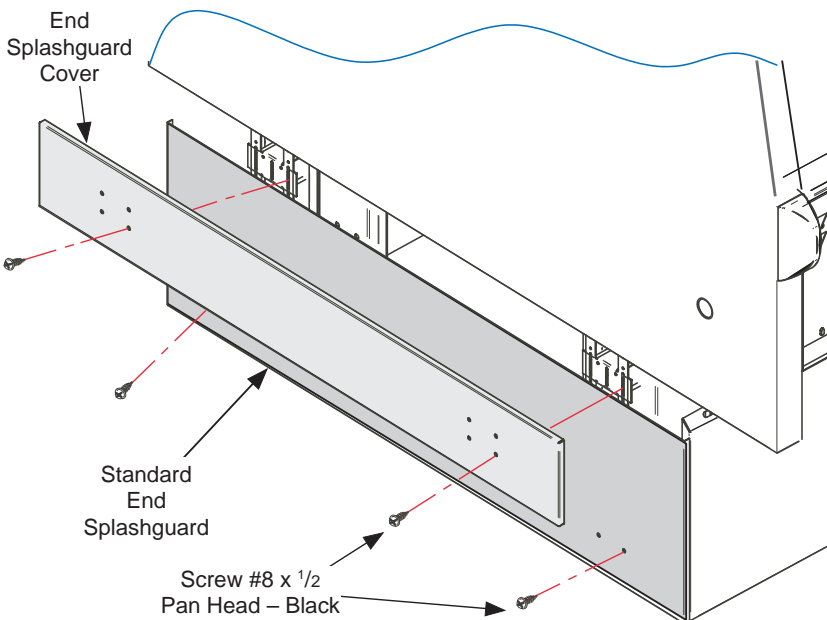
a. Insert back of bracket through slot in leg. Use Screws to attach End Splashguard Retainers to end frame.

Note: not all models have two brackets per leg.



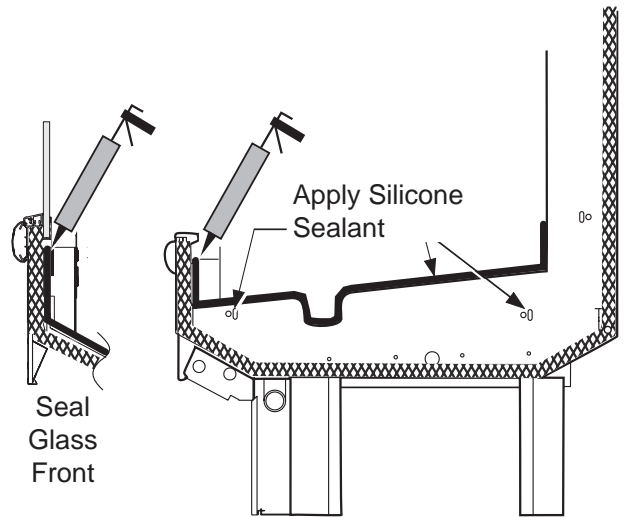
b. Align forward edge of End Splashguard with front splashguard, with lower edge resting on floor. Fasten End Splashguard to bracket with Screws.

c. Slip End Splashguard Cover under end assembly. Fasten to end splashguard and upper brackets with Screws.



5. Seal End to End Frame

Remove front shelf and shelf support bracket. Apply a 1/2 in. bead of silicone at the back of the merchandiser, starting at the first slot. Continue across the bottom and up the front as shown below. Use field-supplied silicone in any gap between front support bracket and end assembly.



Re-install bumpers as described beginning on Page 1-13.

Note: Optional end bumpers are factory-installed only.

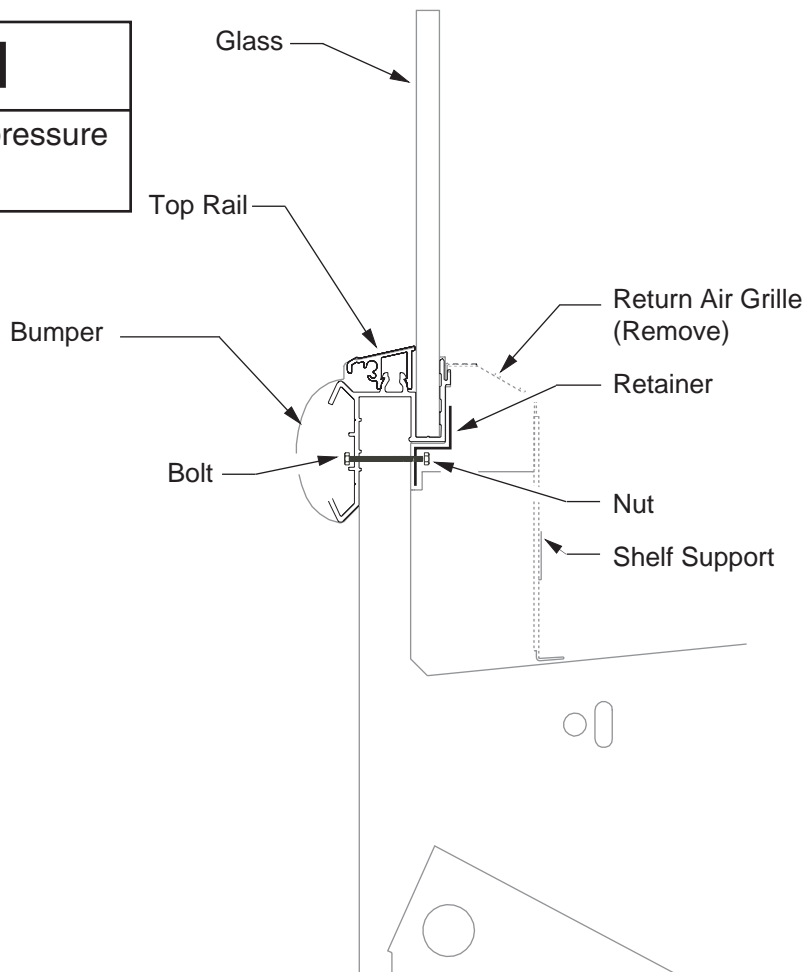
FRONT GLASS ADJUSTMENT

The front glass panel may be adjusted from side to side by following these steps:

1. Lift out return air grilles and shelf supports.
2. Loosen but do not remove nuts in retainer. There are four nuts in each 4 ft section of glass.
3. Move glass panels horizontally as needed.
4. Tighten nuts enough to hold glass. Do not over-tighten, which will crack or break glass.
5. Replace shelf supports and return air grilles.

**CAUTION**

Do not over-tighten nuts. Excess pressure will cause glass to break.

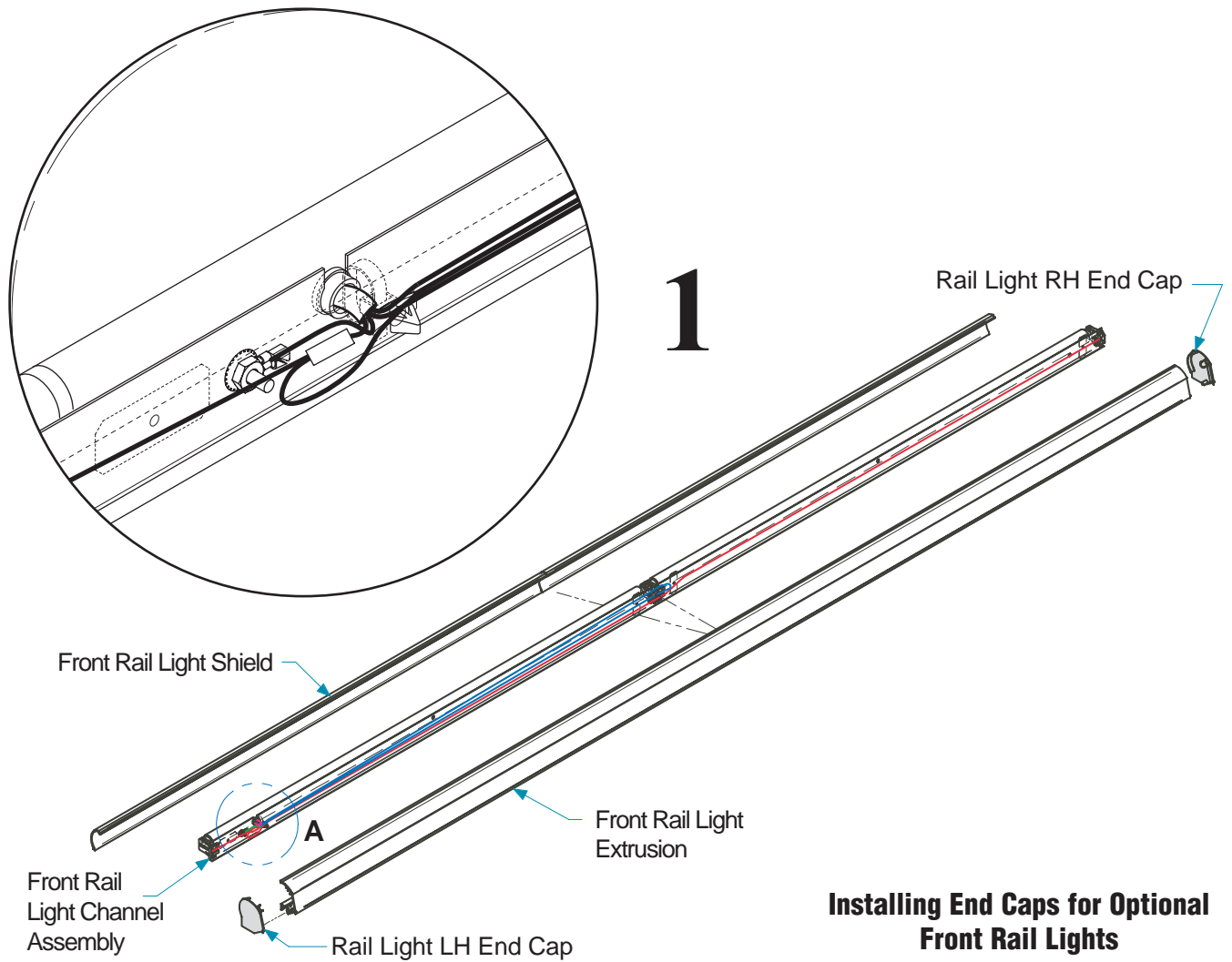


OPTIONAL FRONT RAIL LIGHT

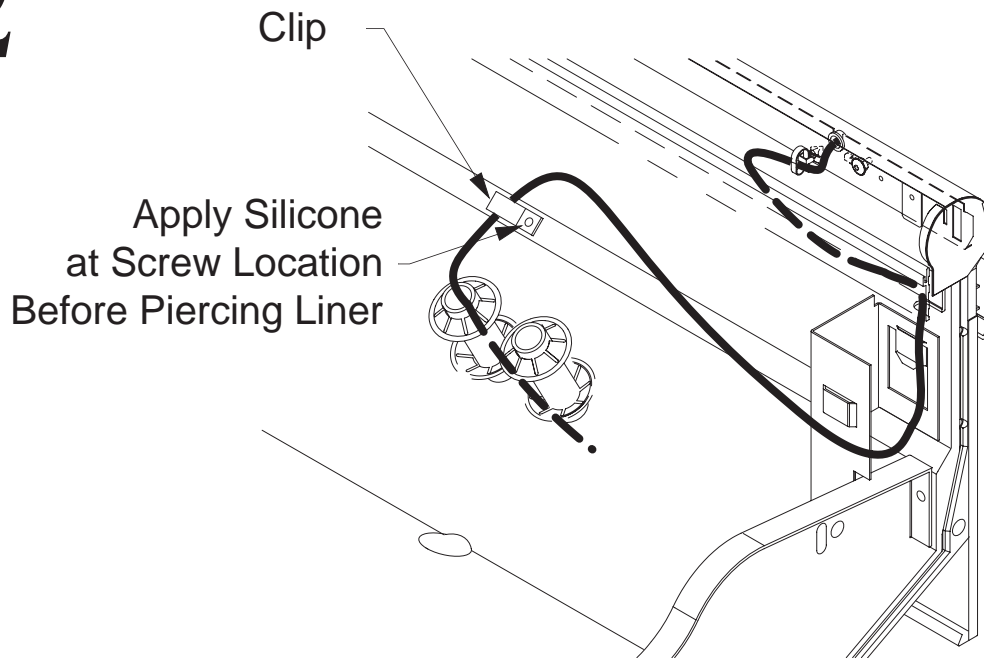
Every merchandiser with an optional front rail light assembly must have an end cap installed on each end of the merchandiser when joining merchandisers or when ends are installed.

Caps snap on without tools or fasteners.

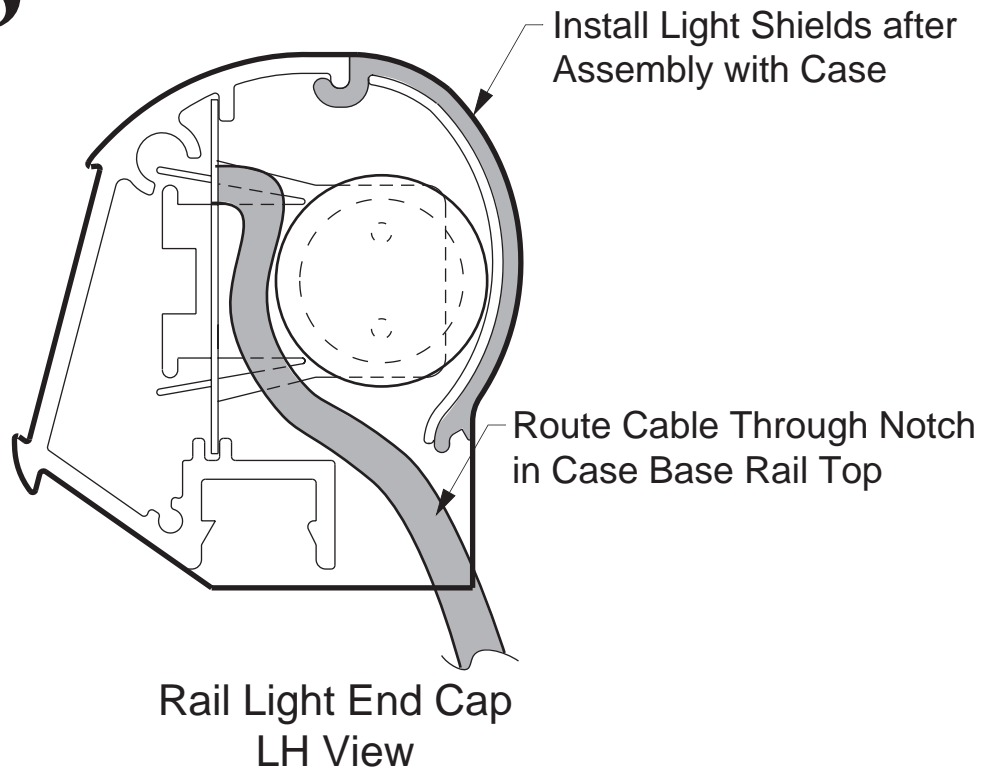
For reference, additional wiring detail is shown on the next page.



2



3



REFRIGERATION / ELECTRICAL

REFRIGERANT

The correct type of refrigerant will be stamped on each merchandiser's serial plate. The merchandiser refrigeration piping is leak tested, factory sealed and pressurized. Before making refrigeration hookups, depress the universal line valve to ensure that coils have maintained pressure during shipment. When using high glide refrigerants (e.g., R-407A, R-448A), if superheat needs to be adjusted, use the evaporator pressure and subtract the dew point from the coil outlet refrigerant temperature to measure the superheat level.

WARNING

Refrigeration lines are under pressure and should be depressurized before attempting to make any connections.

Refrigerant vapor is hazardous to your health and can cause death.

Avoid breathing refrigerant and lubrication vapor or mist. Exposure may irritate eyes, nose and throat. If accidental system discharge occurs, ventilate work area before resuming service.

Always wear safety goggles and protective gloves when working with refrigerants. Contact with refrigerant may cause injury. Disconnect hoses with extreme caution! All hoses may contain liquid refrigerant under pressure.

Be sure that any room where you are working is thoroughly ventilated, especially if a leak is suspected.

Read all safety information regarding the safe handling of refrigerant and refrigerant oil, including the Material Safety Data Sheet. MSDS sheets can be obtained from your refrigerant supplier.

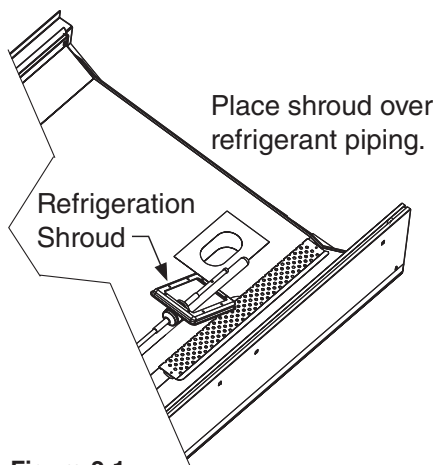


Figure 2-1

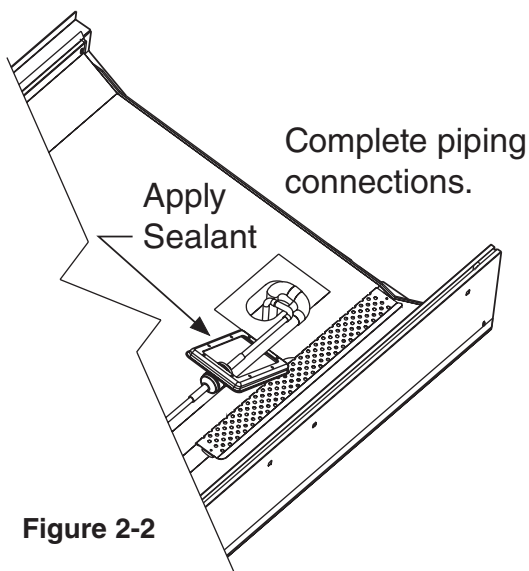


Figure 2-2

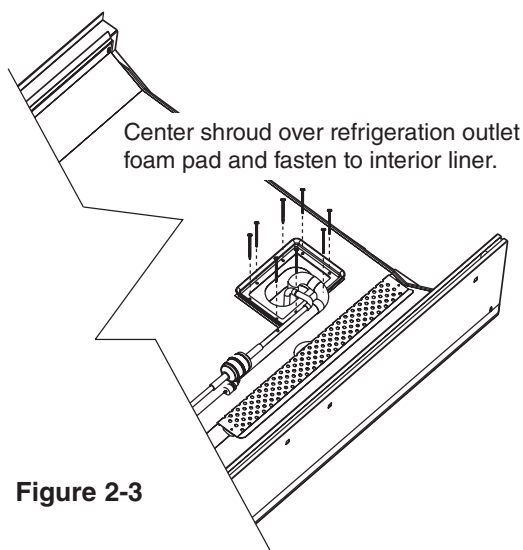


Figure 2-3

REFRIGERANT PIPING

Standard Connection Location

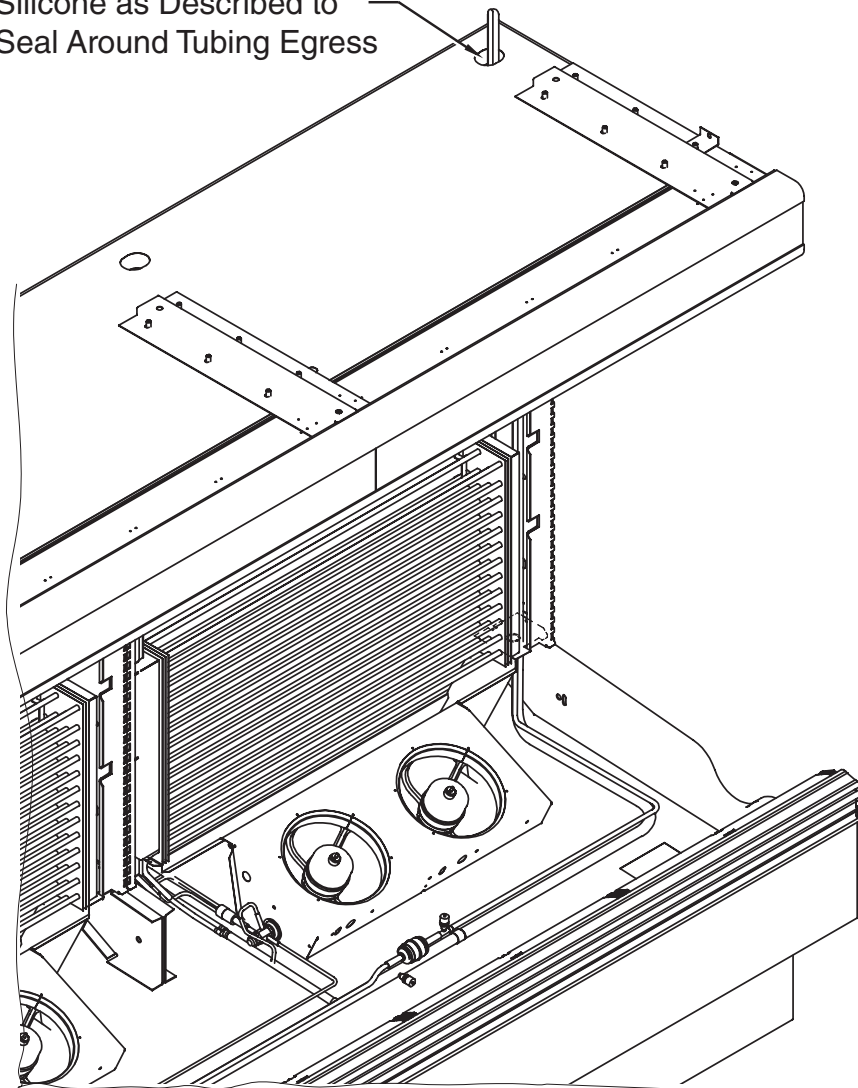
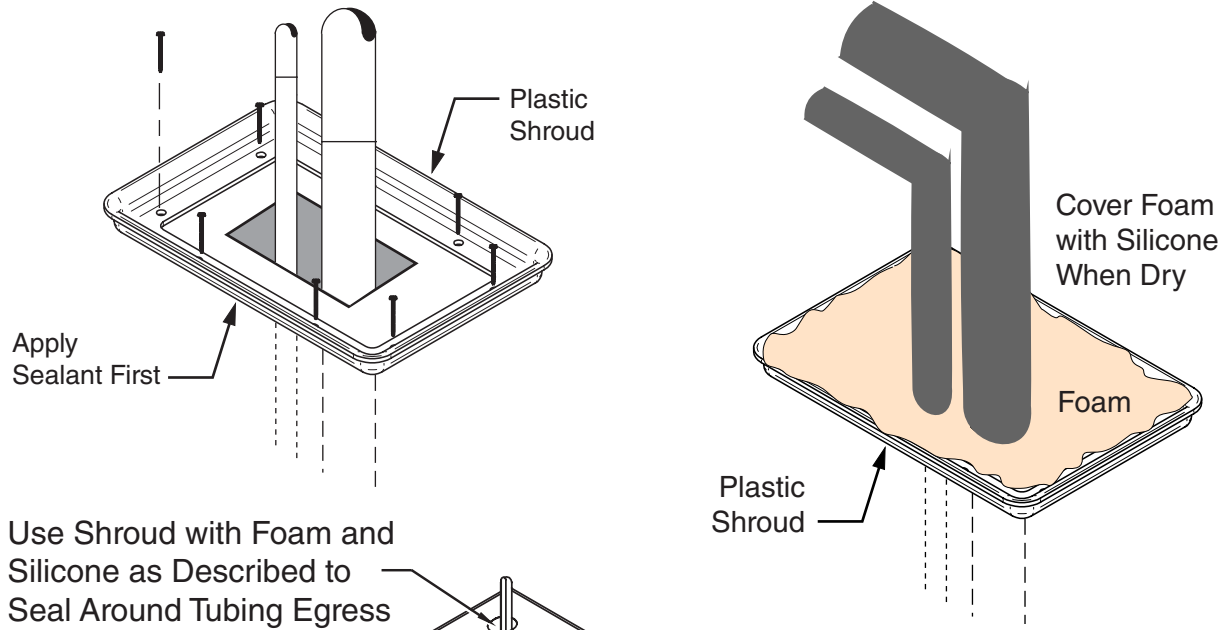
The refrigerant line connections are at the right-hand end of the merchandiser (as viewed from the front) beneath the display pans. A sticker marks the location of the connection. The installer must saw a hole to exit the merchandiser. A refrigeration shroud ships with each merchandiser. Before making connections, place the refrigeration shroud over refrigeration piping so that when the shroud is rotated into place, it will be in the upright position. The Figure 2-1 shows the correct orientation.

Be careful not to burn, scorch or over-heat the shroud when making connections. Once connections have been made, apply silicone sealant to the bottom of the shroud as shown in Figure 2-2.

As shown in Figure 2-3, rotate and center the shroud over the refrigeration outlet foam pad, then fasten to the interior liner of the bottom. After connections have been made, seal this outlet thoroughly. Seal both the inside and the outside. We recommend using an expanding polyurethane foam insulation. Cover foam with silicone to prevent water from entering foam.

Optional Internal Top Piping Connections

A shroud should be used to seal outside pipe penetrations at the top of the merchandiser. Position the shroud over the case piping before making the final connection. Once all connections are made and insulation has been applied to the piping, run a bead of sealant around the bottom of the shroud. Put the shroud into position and attach with six screws. In the event the shroud was not placed over the piping prior to final connection, the shroud can be cut (carefully) and then installed with adhesive and screws holding the shroud in place on top of the merchandiser. After connections have been made, seal this outlet thoroughly. Seal both the inside and the outside. We recommend using an expanding polyurethane foam insulation. Cover foam with silicone to ensure seal around insulation and to prevent deterioration of foam.

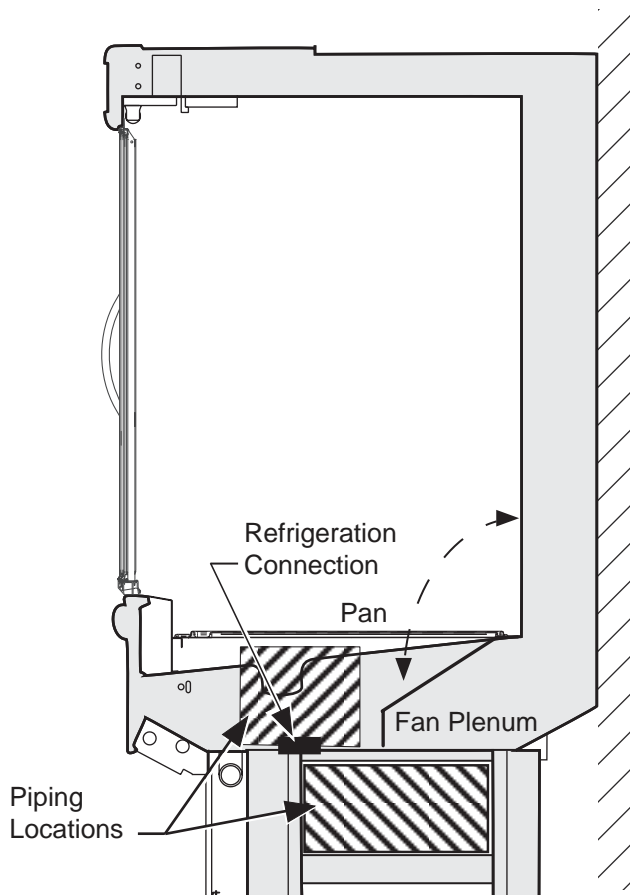


Internal Top Piping

Multiplexing

Piping of merchandisers operating on the same refrigeration system may be run from merchandiser to case. **DO NOT RUN REFRIGERANT LINES THROUGH MERCHANDISERS THAT ARE NOT ON THE SAME REFRIGERATION SYSTEM BRANCH** as this may result in poor refrigeration control and compressor failure.

Interconnecting piping inside the merchandiser must be located as shown below to allow room for lifting the hinged fan plenums and for clearance beneath the display pans. Alternately, the interconnecting piping may be run outside the merchandiser in the area shown.



Line Sizing

Refrigerant lines should be sized as shown on the refrigeration legend that is furnished for the store or according to ASHRAE guidelines. Refer to the information on the next page for branch line piping of Hussmann Equipment.

Oil Traps

P-traps (oil traps) must be installed at the base of all suction line vertical risers.

Pressure Drop

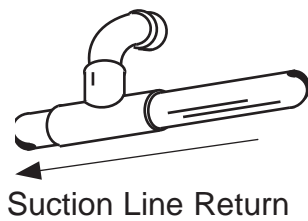
Pressure drop can rob the system of capacity. To keep the pressure drop to a minimum, keep the refrigerant line run as short as possible using a minimum number of elbows. Where elbows are required, USE LONG RADIUS ELBOWS ONLY.

INSULATION

Additional insulation for the balance of the liquid and suction lines is recommended wherever condensation drippage is objectionable or lines are exposed to ambient conditions.

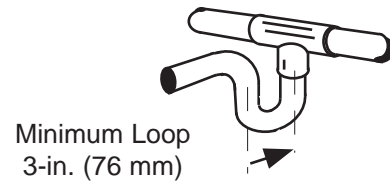
SUCTION LINE

- Pitch in direction of flow.
- May be reduced by one size at one third of merchandiser run load and again after the second third. Do not reduce below the merchandiser suction line size.
- Merchandiser suction lines should enter at the top of the branch line.



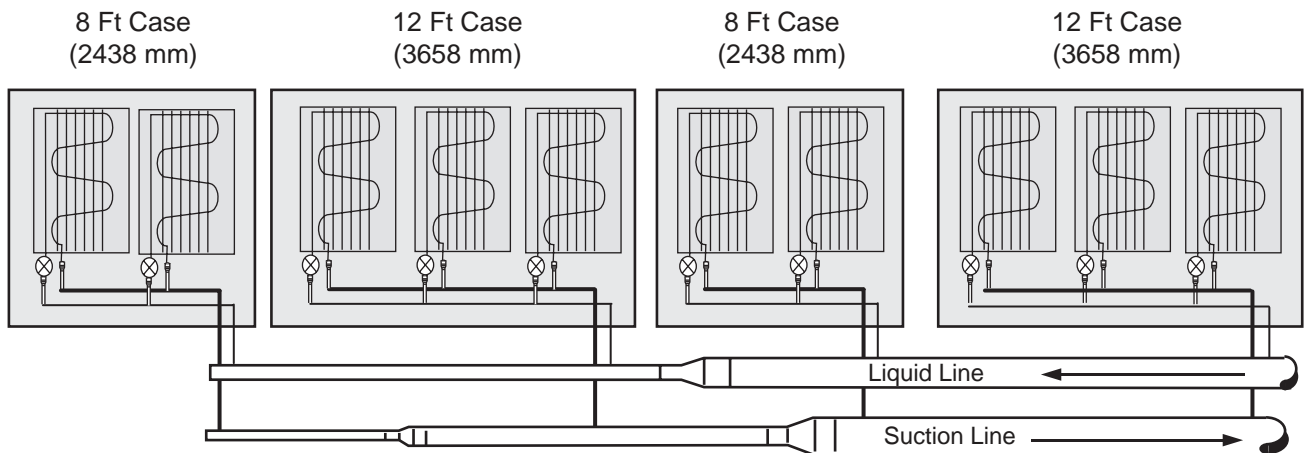
LIQUID LINE

- May be reduced by one size after one half the merchandiser run load. Do not reduce below the merchandiser liquid line connection size.
- Take-offs to merchandiser liquid lines should exit the bottom of the branch liquid line. Provide an expansion loop for each evaporator take-off (minimum 3 in. [76 mm] loop).



Liquid Line Take Off

Offtime Defrost



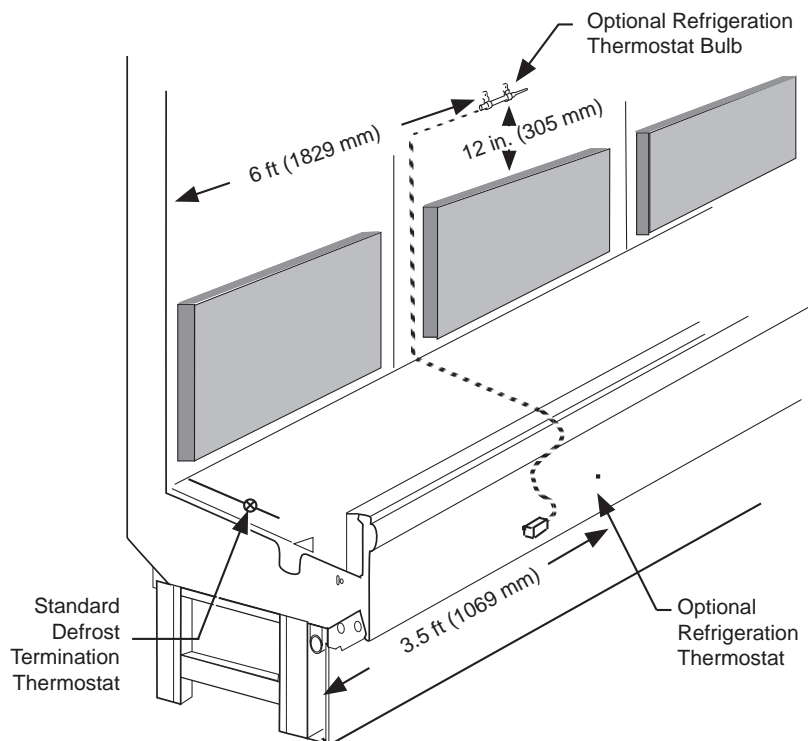
REFRIGERATION THERMOSTAT

The bulb for the optional refrigeration thermostat is located approximately 12 in. (305 mm) above the coil and 6 ft (1829 mm) from the left-hand end (facing front) of the merchandiser. The optional refrigeration thermostat is located 3½ ft (1067 mm) from the left-hand end, just past the raceway. On wide island models, the thermostat body is located on the serial plate side (front) of the merchandiser.

DEFROST TERMINATION THERMOSTAT

The standard disc type defrost termination thermostat is not adjustable. This thermostat is clamped to the suction line of the coil on the left-hand (facing front) end of the merchandiser.

E-Plus models do not use a defrost termination thermostat and are to be time terminated only.



DEFROST SEQUENCES

These merchandisers require defrost cycles for proper operation. Refer to the data sheets for application data.

The Time Clock initiates defrost. The evaporator fans continue to circulate air across the evaporator coil, melting any frost build-up. Defrost can be terminated by either temperature or time.

Temperature Termination

Temperature termination should be used for the following types of installations:

1. Parallel systems with EPRs or suction stop solenoids.
2. Single compressor units without pump-down cycle.

Time Termination

Time termination should be used for the following types of installations:

1. All E-Plus models;
2. Parallel systems with thermostat and liquid solenoid; and
3. Single compressor units with pump-down.

To use time termination, simply do not wire the termination thermostat.

MERCHANDISER ELECTRICAL DATA

Technical data sheets are included with this manual. The data sheets provide merchandiser electrical data, electrical schematics, parts lists and performance data. Refer to the technical data sheets and merchandiser serial plate for electrical information.

ELECTRICAL CONNECTIONS

All wiring must be in compliance with NEC and local codes. All electrical connections are to be made in the electrical raceway or *Handy Box*.

FIELD WIRING

Field wiring must be sized for component amperes stamped on the serial plate. Actual ampere draw may be less than specified. Field wiring from the refrigeration control panel to the merchandisers is required for defrost termination thermostats and for optional refrigeration thermostats. When multiple merchandisers are on the same defrost circuit, the defrost termination thermostats are wired in series.

ALWAYS CHECK THE SERIAL PLATE FOR COMPONENT AMPERES.

 **WARNING**

Hussmann does not recommend using spray hoses or misting systems due to risk of serious injury or death from electrical shock. Do not use spray hoses or misting systems on cases with shelf or rail lighting.

IDENTIFICATION OF WIRING

Leads for all electrical circuits are identified by colored plastic bands. These bands correspond to the *color code sticker* (shown below) located inside the merchandiser's raceway cover.

WIRING COLOR CODE

Leads for all electrical circuits are identified by a colored plastic band: neutral wire for each circuit has either White insulation or a White plastic sleeve in addition to the color band.

PINK.....	REFRIG. THERMOSTAT LOW TEMP.	ORANGE OR	
LIGHT BLUE .	REFRIG. THERMOSTAT NORM TEMP.	TAN.....	LIGHTS
DARK BLUE..	DEFROST TERM. THERMOSTAT	MAROON.....	RECEPTACLES
PURPLE	CONDENSATE HEATERS	YELLOW.....	DEFROST HEATERS 120V
BROWN.....	FAN MOTORS	RED	DEFROST HEATERS 208V
GREEN*	GROUND		

*EITHER COLORED SLEEVE OR COLORED INSULATION

ELECTRICIAN NOTE: Use copper conductor wire only. MERCHANDISER MUST BE GROUNDED

THESE ARE MARKER COLORS WIRES MAY VARY.

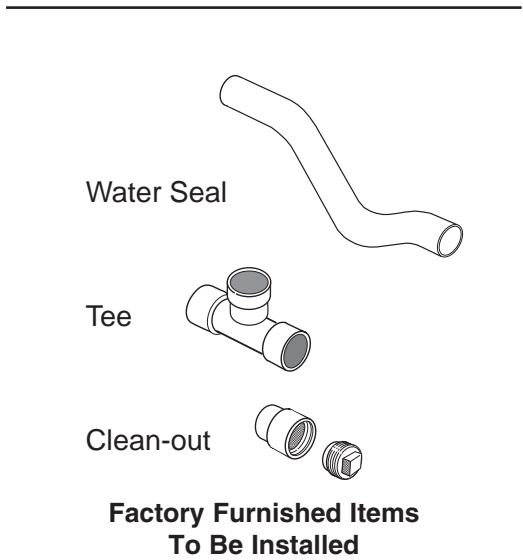
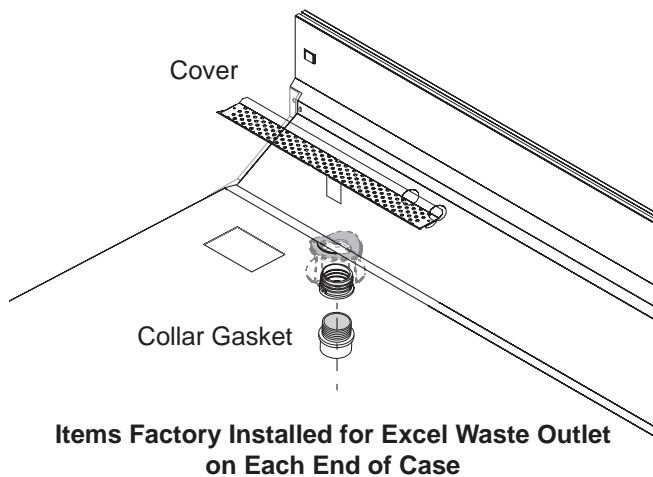
2-8 REFRIGERATION / ELECTRICAL

Notes:

DRIP PIPING AND SPLASHGUARDS

WASTE OUTLET AND WATER SEAL

Each merchandiser has two waste outlets. The waste outlets are located in front of the fan plenum 12 inches (305 mm) from either end of the merchandiser. One water seal, two tees, and two clean-outs are supplied for each fixture. The water seal must be installed with the waste outlets to prevent air leakage and insect entrance into the merchandiser.





CAUTION

Splashguard brackets *MUST* be installed before piping merchandiser.

INSTALLING DRIP PIPING

Poorly or improperly installed drip pipes can seriously interfere with the merchandiser's operation and result in costly maintenance and product losses.

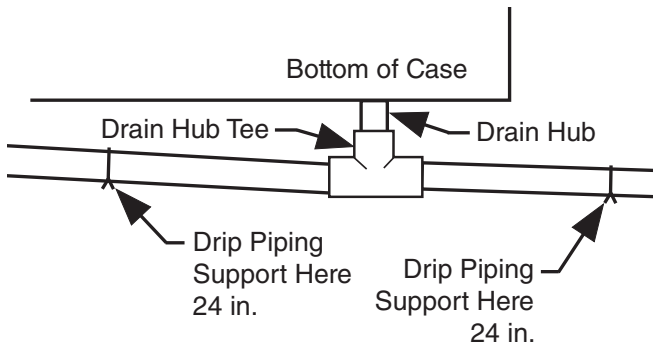
Optional drip pipe arrangements are shown on the next page. It is the installing contractor's responsibility to consult local agencies for local code requirements. Assemble the components using field-supplied PVC primer and glue according to the manufacturers direction.

Please follow the recommendations listed below when installing drip pipes to ensure proper installation.

1. Never use drip piping smaller than the nominal diameter of the pipe or water seal supplied with the merchandiser.
2. When connecting drip piping, the "water seal" must be used as part of the drip piping to prevent air leakage or insect entrance. Never use two water seals in series in any one drip pipe. **DOUBLE WATER SEALS IN SERIES WILL CAUSE AN AIR LOCK AND PREVENT DRAINING.**
3. Pitch the drip piping in the direction of flow. **There should be a minimum pitch of 1/4 in. per ft (20 mm per 1 m).**
4. Avoid long runs of drip piping. Long runs make it impossible to provide the pitch necessary for good drainage.

5. Ensure that drip piping is supported to relieve any stress on drip pipe connectors and drain hub.

a. Drip piping **MUST** be supported no more than 24 in. from drain hub tee.



...ATTENTION
INSTALLER

It is the installing contractor's responsibility to consult local agencies for local code requirements.

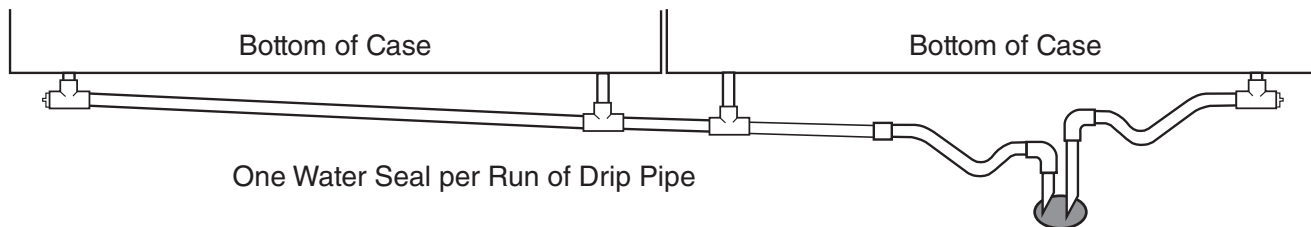
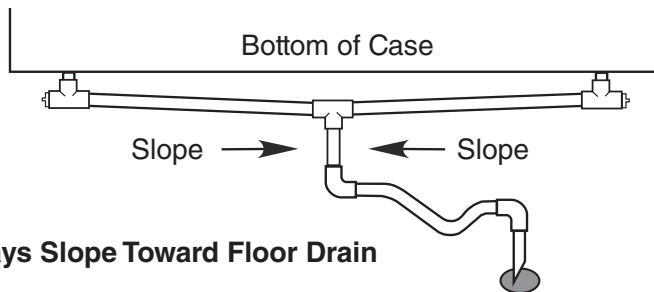
6. Provide a suitable air break between flood rim of the floor drain and outlet of drip pipe. To meet code on low base merchandisers, it may be necessary to install a field-supplied drip pipe reducer. An alternative is to cut the last section of drip pipe at an angle (where permissible by code).



7. Prevent drip pipes from freezing:

a. Do NOT install drip pipes in contact with uninsulated suction lines. Suction lines should be insulated with a nonabsorbent insulation material.

b. Where drip pipes are located in dead air spaces, such as between merchandisers or between a merchandiser and a store wall, provide means to prevent freezing.



Optional Excel Drip Piping Arrangements

INSTALLING SPLASHGUARDS

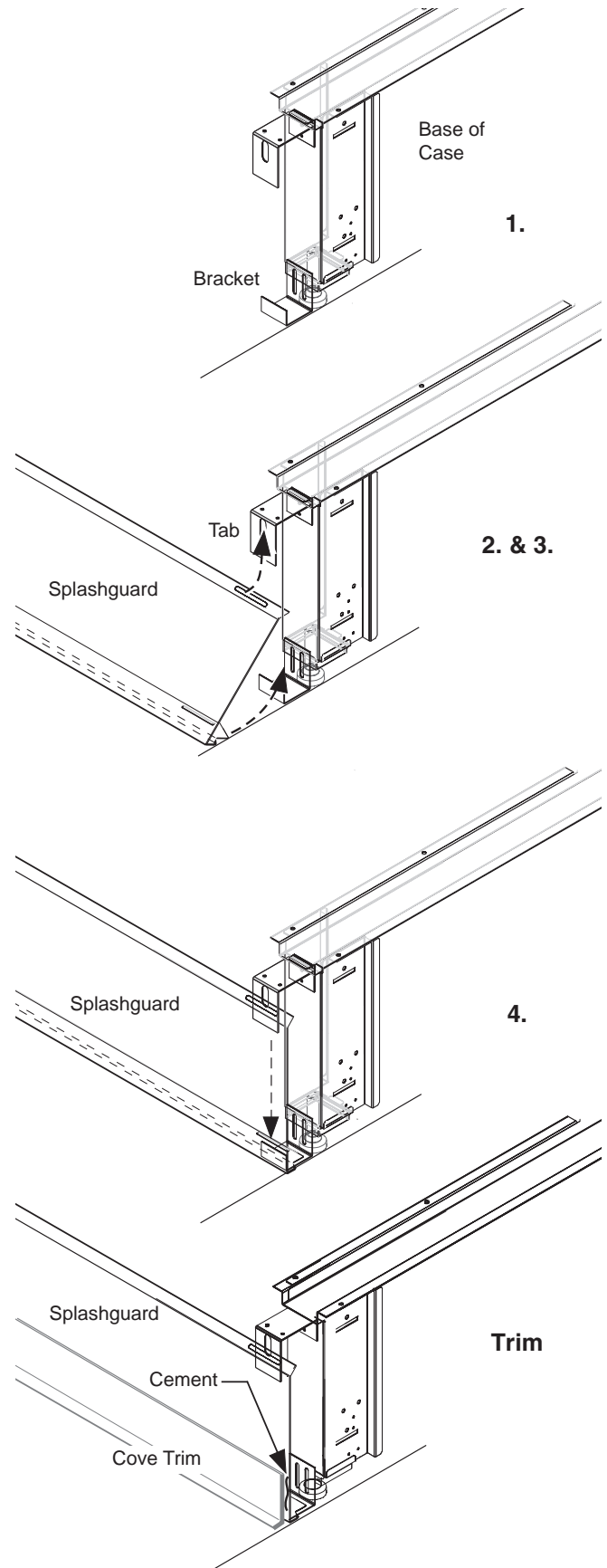
The splashguard is shipped inside each merchandiser. **AFTER** merchandisers have been leveled and joined, and all drip piping, electrical and refrigeration work has been completed, install the splashguard.

To Install Splashguards:

1. Check to be sure that all splashguard brackets are level with the floor.
2. Position top of splashguard with the top angled in as shown in the illustration. Align the slots in the upper edge of the splashguard with the tabs extending downward behind the splashguard cover.
3. Engage the slots over the tabs and raise the splashguard while pushing the bottom in.
4. Align the tabs on the splashguard brackets with the slots in the bottom edge of the splashguard. Engage the tabs in the slots and drop the splashguard into place.

To install the cove trim to the splashguard:

1. Remove all dirt, wax and grease from the area of the splashguard where adhesion will be necessary to ensure a secure installation.
2. Apply a good contact cement to the cove trim and allow proper drying time according to the directions supplied with the cement.
3. Install the trim to the splashguard so that it is lying flush with the floor. **DO NOT SEAL THE TRIM TO THE FLOOR.**
4. **If required by local health codes** the Cove Trim may be sealed to the floor, using a silicone type sealer. Sealant must be removed and replaced when servicing.



3-4 DRIP PIPING AND SPLASHGUARDS


NOTES:

START UP / OPERATION

START UP

See the merchandiser's Technical Data Sheet for refrigerant settings and defrost requirements. Bring merchandisers down to the operating temperatures listed on the data sheet. Each four foot section has its own evaporator coil and pre-set non-adjustable thermostatic expansion valve (TEV).

DO NOT REMOVE THE CAP ON THE TEVs. This cap is to be removed only for valve disassembly. Removal of this cap during merchandiser maintenance will result in refrigerant loss unless the system is first isolated and the refrigerant recovered.

 CAUTION
REMOVAL OF THE TEV CAP WILL RESULT IN REFRIGERANT LOSS UNLESS THE SYSTEM IS FIRST ISOLATED AND THE REFRIGERANT RECOVERED.

The TEV has been factory set to provide the recommended performance settings as specified on the merchandiser data sheets.

STOCKING

Product should NOT be placed in merchandisers until merchandiser is at proper operating temperature.

Proper rotation of product during stocking is necessary to prevent product loss. Always bring the oldest product to the front and set the newest to the back.

AIR DISCHARGE AND RETURN FLUES MUST REMAIN OPEN AND FREE OF OBSTRUCTION AT ALL TIMES to provide proper refrigeration and air curtain performance. Do not allow product, packages, signs, etc. to block these grilles. Do not use non-approved shelving, baskets, display racks, or any accessory that could hamper air curtain performance.

DO NOT BLOCK HONEYCOMB OR RETURN AIR GRILLE.

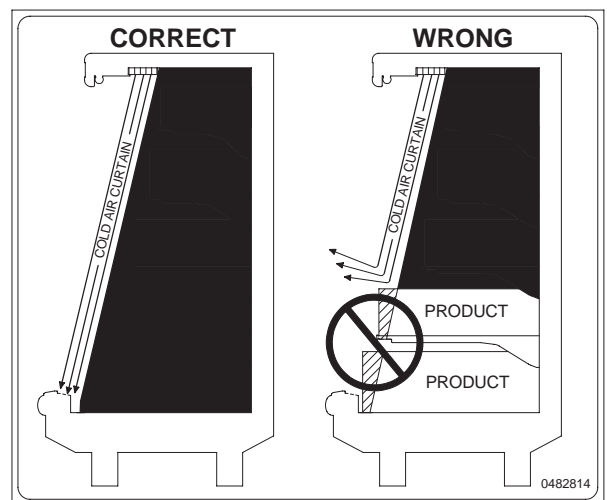


WARNING

Do NOT store flammable materials atop the unit.

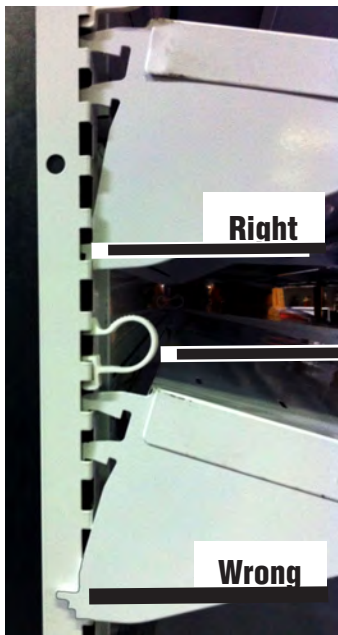
LOAD LIMITS

Do not stock shelves above load limit decals. Shelf life of perishables will be short if load limit is violated. **AT NO TIME SHOULD THE MERCHANDISERS BE STOCKED BEYOND THE LOAD LIMITS INDICATED.**



INSTALL SHELVES

Begin with the lowest row of shelves. Verify the shelf brackets are at 90 degrees to shelf. Keep shelf level from side to side while tilting the front down to insert the lowest tab in the shelf upright. Use a level on each shelf, or count slots in each upright and mark with tape to ensure rows of shelves stay level. Tabs must be seated firmly into position in the uprights before loading shelves.

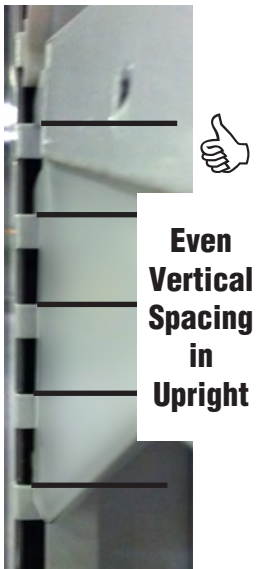


Right

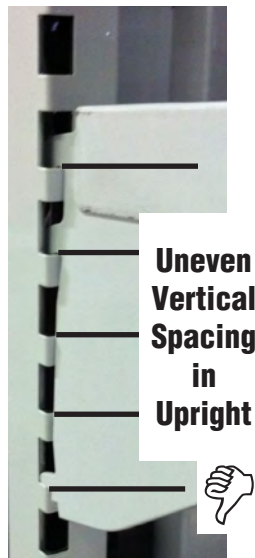
Remove Shipping Clips



Wrong



Even Vertical Spacing in Upright



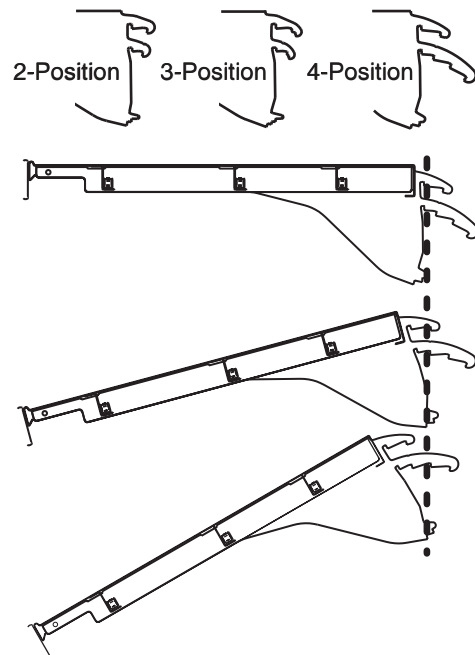
Uneven Vertical Spacing in Upright

 CAUTION
ENSURE SHELF TABS ARE LOCKED INTO SHELF UPRIGHTS BEFORE LOADING SHELVES

MULTI-DECK SHELF CONFIGURATION

The bottom display shelves can be adjusted to accommodate shallow or volume displays (bulky items such as hams or chickens). The upper shelves are individually mounted in 1 in. (25 mm) increments and have two-, three-, or four-position brackets permitting shelves to be placed in a flat or down-tilt position (see illustration). Front product stops are recommended when shelves are placed in the down-tilt position.

Merchandiser performance will be degraded if peg shelves are used without baffles. Unauthorized specialty shelving may cause poor merchandiser performance also. Consult your Hussmann representative to ensure optimum performance of all Hussmann equipment.



SHELF MAXIMUM WEIGHT LIMITS

Hussmann merchandiser shelves are designed to support the maximum weight load limits as indicated in the table at below.

Exceeding these maximum weight load limits may cause damage to the shelf or shelves, damage to the merchandiser, damage to store products, and potentially create a hazardous condition for customers and staff. Exceeding the indicated maximum weight load limits constitutes misuse as described in the Hussmann Limited Warranty.

Weight Limits for Merchandiser Shelving

Nominal Shelf Depth	Maximum Load Limit
12 in. (305 mm)	125 lb (56.7 kg)
14 in. (357 mm)	125 lb (56.7 kg)
16 in. (406 mm)	200 lb (90.7 kg)
18 in. (457 mm)	200 lb (90.7 kg)
20 in. (508 mm)	250 lb (113.4 kg)
22 in. (559 mm)	250 lb (113.4 kg)
24 in. (610 mm)	250 lb (113.4 kg)
Heavy Duty Beverage Shelf 16 in. (406 mm)	300 lb (136 kg)
Heavy Duty Beverage Shelf 18 in. (457 mm)	320 lb (145.1 kg)
Heavy Duty Beverage Shelf 20 in. (508 mm)	350 lb (158.8 kg)
Heavy Duty Beverage Shelf 22 in. (559 mm)	350 lb (158.8 kg)
Heavy Duty Beverage Shelf 24 in. (610 mm)	350 lb (158.8 kg)

*Shelf load limits at 0° tilt

INSTALLING CASESHIELDPTM(s) (Optional)

The CaseShieldPTM is installed on the front edge of shelves as a replacement to existing price tag molding (PTM). It acts as a guide for the air from the discharge to the return air grille to reduce turbulence and save energy.

To install the CaseShieldPTM:

Slide the CaseShieldPTM onto the shelf as shown in **(B)** illustration below.

Note:

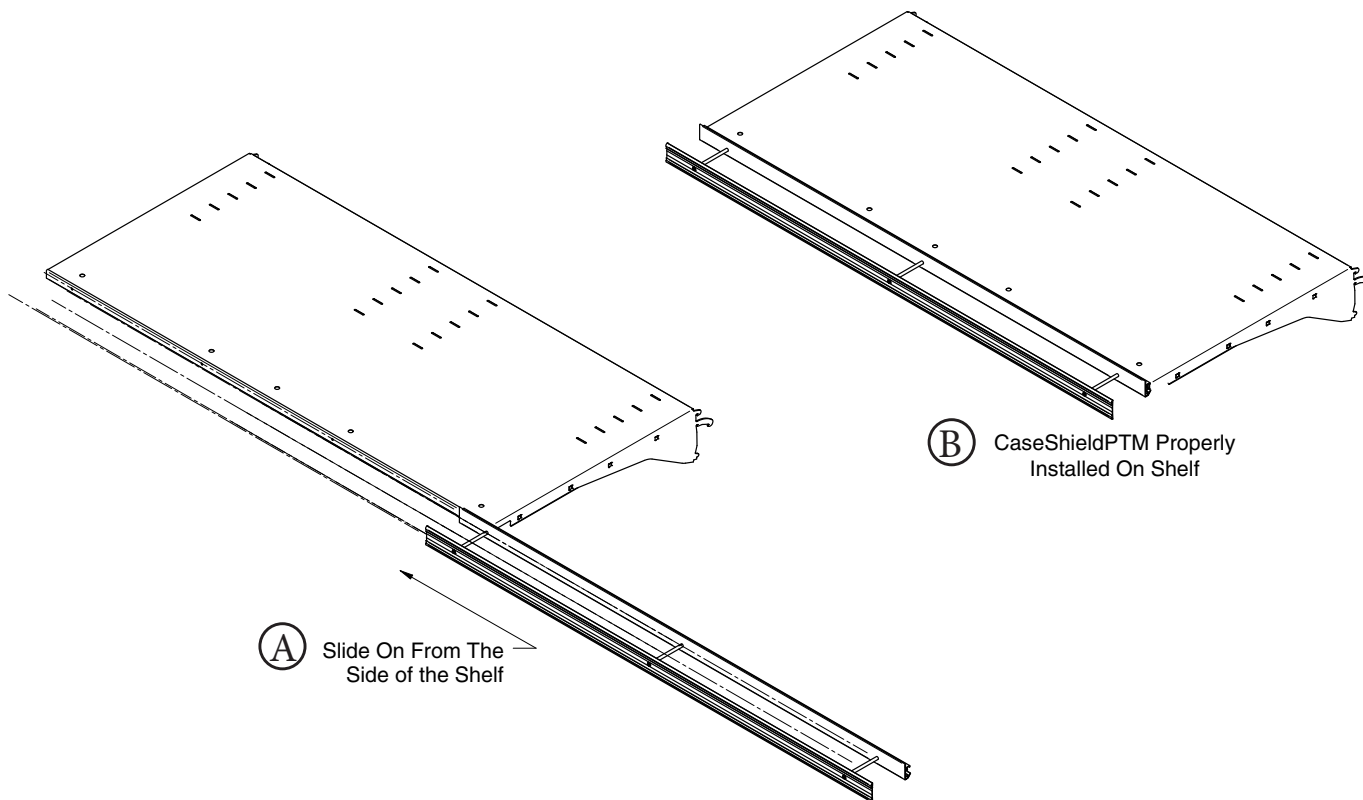
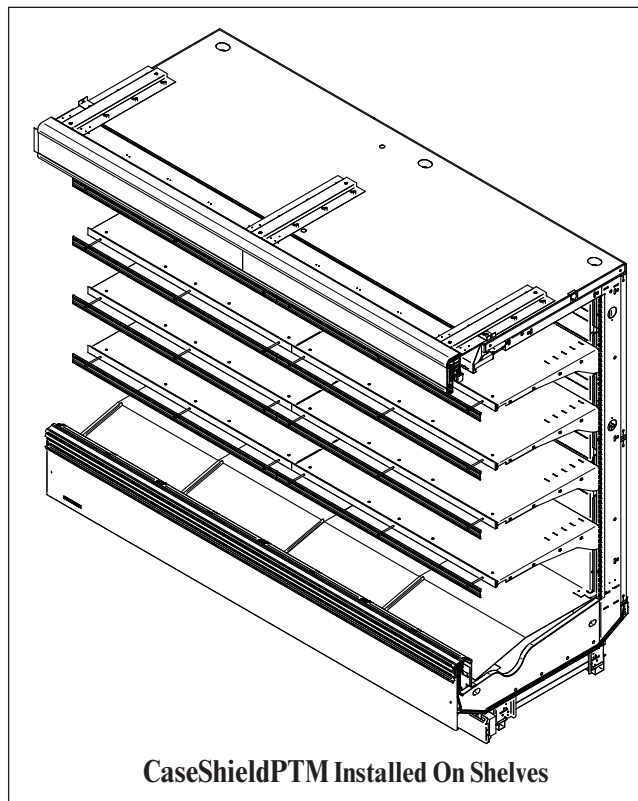
For use only with straight shelves. Do not apply CaseShieldPTM(s) to angled shelves.

Note to Installers:

Do not install until after cases are adjoined.

Note to Retailers:

Do not hang items from these CaseShieldPTMs as items could block the air flow which could negatively impact product temperatures.

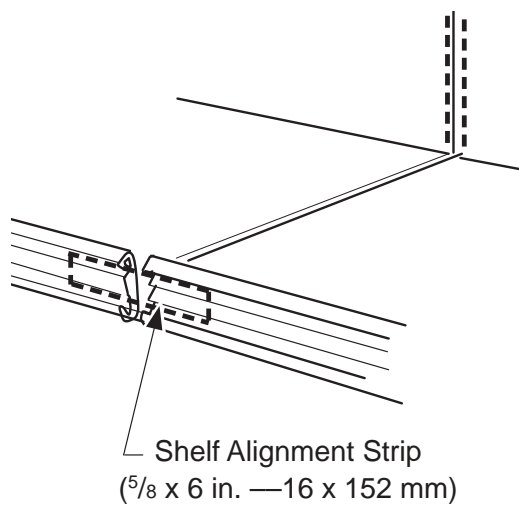


**MULTI-DECK SHELF ALIGNMENT
(Optional Shelf Alignment Strips)**

Taped to one of the shelves of each merchandiser is a small plastic bag containing shelf alignment strips. These strips are designed to enhance the appearance of the shelves by aligning the front edge of each shelf with that of an adjacent shelf.

When installing shelves:

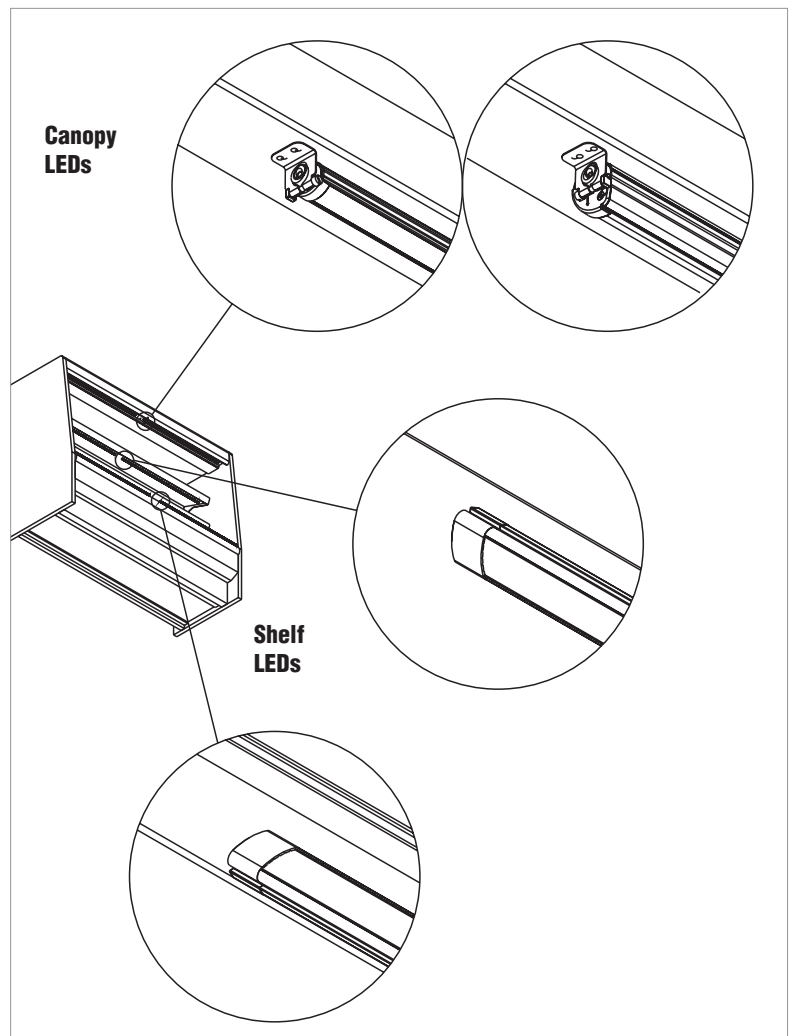
1. Insert one of the alignment strips into the slot behind the front edge of each shelf.
2. After all shelves are installed, slide the strip across the shelf joint wherever two shelves are adjacent. This will lock them together.



LED LIGHT FIXTURES

These merchandisers are equipped with 24 volt DC power supplies that power the LEDs. The power supplies are located in the canopy wireway. LEDs work well for dimming or on/off operation using an occupancy sensor (optional kits).

LEDs can be turned on and off in a cold environment with no warm-up time and no negative impact on lamp life. EcoShine II LEDs are shown in the illustration below.



PROCEDURE FOR INSTALLING LIGHTED SHELVES

Follow these instructions to ensure good contact between male and female connectors.

1. Remove product from shelf and place in cooler. **SHUT OFF POWER TO THE MERCHANDISER.**
2. Turn off Canopy Light Switch. Remove all packed shelves.
3. Remove shelf connectors from power sockets. Always grip shelf connector by the handle when removing from socket. **PULL handle DOWN AND THEN OUT to disengage.** Note that latch tongue must depress to disengage plug.
4. *Engage each power socket cap and ensure that each cap is fully seated before cleaning.* Ensure the proper seating of the cap at all times when the plug is not engaged.
5. Clean the merchandiser as described in the *Care and Cleaning* paragraphs of *Section 5 – Maintenance*. **Keep liquid out of sockets.** (Allow merchandiser shelves to dry before turning on shelf power.)



**LED Shelf
Light Plug**



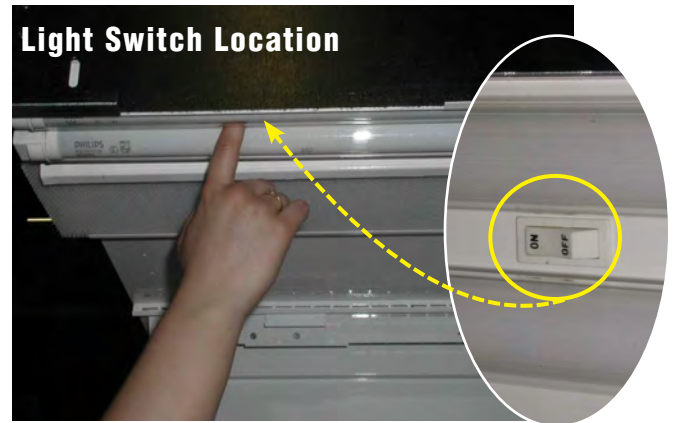
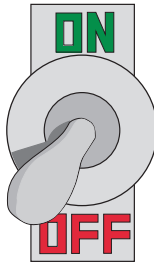
LED Shelf Light Receptacle

WARNING

— LOCK OUT / TAG OUT —

To avoid serious injury or death from electrical shock, always disconnect the electrical power at the main disconnect when servicing or replacing any electrical component. This includes, but is not limited to, such items as doors, lights, fans, heaters, and thermostats.

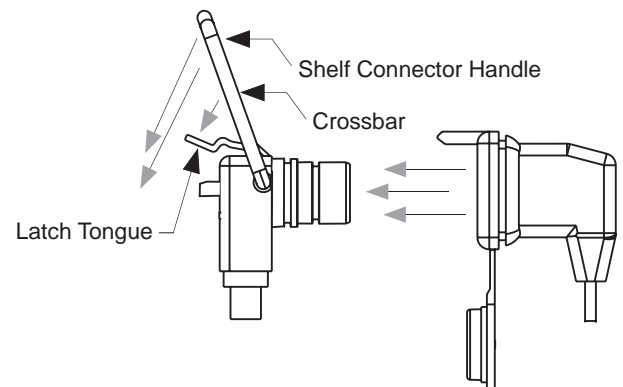
6. Verify that power is at the merchandiser and turned on. Verify that the merchandiser light switch is turned “OFF.” Switch is located in the canopy, on the left, behind first row of lamps.

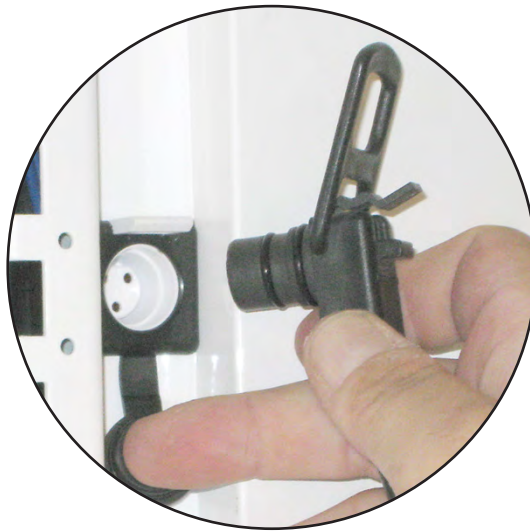


7. Refer to the illustration at the top of the next page. It is typical of D5X, C5X, and D6X models. Note that other models will have fewer rows of shelves. Starting from the left-hand bottom section, choose the location for the first shelf, X-1.

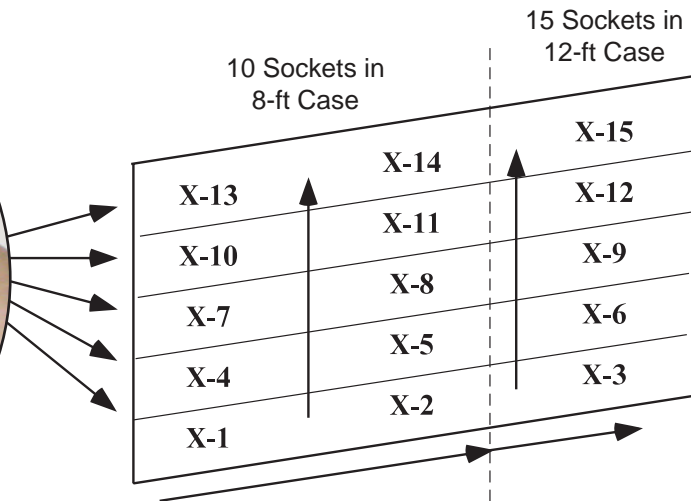
Secure the shelf in the slotted upright. Make certain that the shelf is level and that ends are in the same slot on the left and right upright. ***It is important that shelf brackets be properly seated in the slotted upright.***

8. Working from left to right, install the next shelf, X-2, to the right of the first shelf you installed. Always work from left to right and from the bottom up in each 8 ft (2438 mm) and 12 ft (3685 mm) merchandiser.
9. **After each shelf on the bottom row is in position, be sure to remove the cap and insert the shelf connector. Push firmly.**





Shelf Socket



**Always work Left to Right,
and Bottom to Top**

10. Turn “ON” the merchandiser light switch after the entire bottom row has been installed in either 8 or 12 ft (2438 or 3658 mm) merchandisers. The shelf lights should light.



If an LED shelf light does not operate:

- A. Turn off light switch.
- B. Remove and firmly re-insert each shelf plug.
- C. Turn on light switch.

If a fluorescent shelf light does not operate:

- A. Turn off light switch.
- B. Make certain all the shelf lamps are properly engaged in the shelf lamp holders.
- C. Remove and firmly re-insert each shelf plug.
- D. Turn on light switch.

If lights do not operate after checking the items listed above, **contact the installation contractor.**

11. Using the row of shelves just installed as support, set the next shelf, X-4, in the desired location. Remove the cap and insert the shelf plug. Continue working left to right installing shelves X-5 and X-6.

Note: Since the location for the remaining shelves, X-4 to X-15, may be directly over the rear wall receptacle, the shelf should be plugged in before engaging brackets in the uprights. The lower shelf will support the weight of the next shelf until it is plugged in. After installing each shelf, verify that its plug is properly connected to its rear wall receptacle. Continue working row by row, bottom up, left to right.

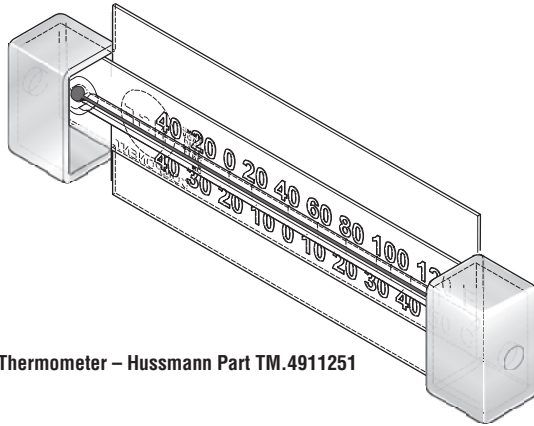
Important

*If a shelf is plugged in and the lamp does not work, **verify** the case light switch is “ON”.*

INSTALLING FDA/NSF REQUIRED THERMOMETER

The following pages provide the same information that ships with the thermometer. **This requirement does not apply to display refrigerators intended for bulk produce** (refer to page 1-1). Please note that the tape cannot be exposed after installation.

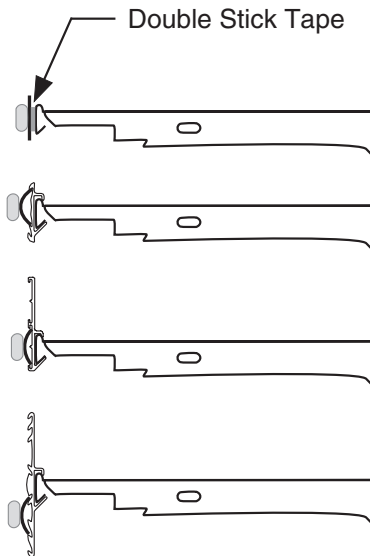
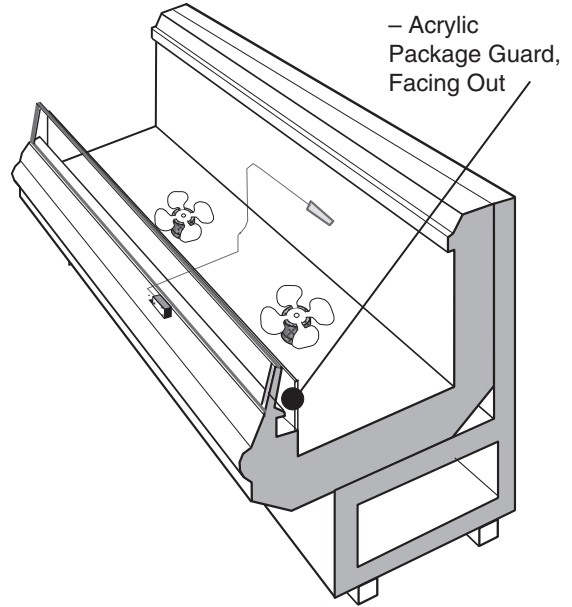
This is an NSF-7 & US FDA Food Code Required Thermometer



Thermometer – Husmann Part TM.4911251

Husmann Corporation • 12999 St. Charles Rock Road • Bridgeton, MO 63044-2483
U.S. & Canada 1-800-922-1919 • Mexico 1-800-522-1900 • www.husmann.com
© 2007 Husmann Corporation

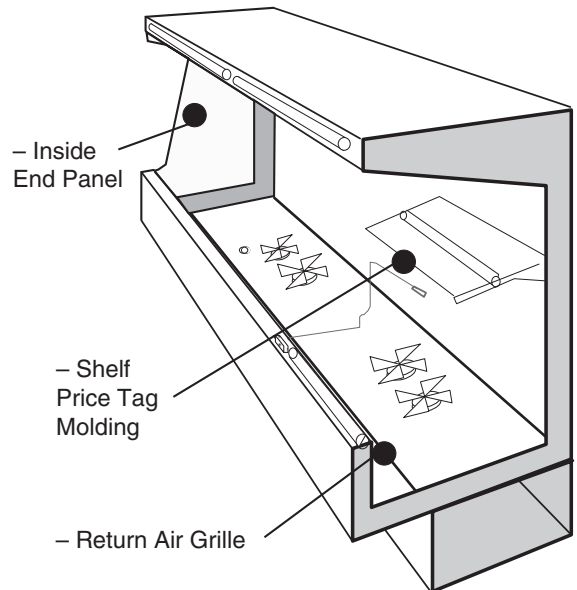
Suggested Mounting Locations in Single Deck Glass Front Impact Merchandisers



Flexible Plastic Fits in Price Tag Moldings

Husmann P/N 0429971_C

10/2007



Suggested Mounting Locations in Multi-deck Merchandisers

Important – Please read!

This thermometer is provided in response to United States
Food and Drug Administration (US FDA) Food Code [<http://www.fda.gov/>]
and
National Sanitation Foundation (NSF / ANSI) Standard 7 [<http://www.nsf.org/>]

Each installation will be different depending on how the unit is stocked, shopping patterns in the department and ambient conditions of the store. The suggested locations provided herein are possible locations. It is the responsibility of the purchaser / user to determine the location with the food storage area of the unit that best meets the code requirements above.

The thermometer may need to be moved several times to find the warmest location. Mounting options include flexible plastic for price tag molding application, magnet applied to back of flexible plastic for steel end wall, and double stick tape. Tape must not be exposed after installation.

Questions about either code should be addressed to local agencies or other appropriate officials.

**Keep with merchandiser
or give to store manager.**

DO NOT DESTROY.

MAINTENANCE

CARE AND CLEANING

Long life and satisfactory performance of any equipment is dependent upon the care it receives. To ensure long life, proper sanitation and minimum maintenance costs, these merchandisers should be thoroughly cleaned, all debris removed and the interiors washed down, weekly.

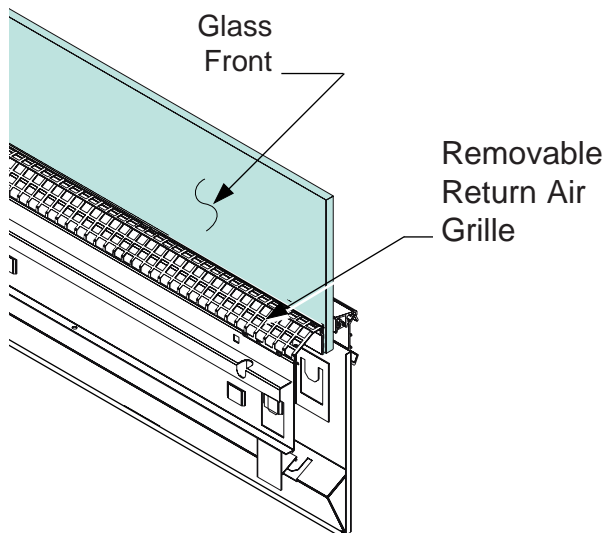
Fan Plenum

To facilitate cleaning, the fan plenum is hinged. After cleaning be sure the plenum is properly lowered into position OR PRODUCT LOSS WILL RESULT due to improper refrigeration.

Removable Return Air Grille

The return air grille may be removed to facilitate cleaning. Simply lift a four foot section up and out as shown below.

! WARNING
SHUT FANS OFF DURING CLEANING PROCESS.



! WARNING

Do not use HOT water on COLD glass surfaces. This can cause the glass to shatter and could result in personal injury. Allow glass fronts, ends and service doors to warm before applying hot water.

Fascia Panels

The fascia panels lift out, left to right, and should be cleaned with a mild detergent and warm water.

DO NOT USE AMMONIA-BASED PRODUCTS TO CLEAN OPTIONAL ACRYLIC PANELS. NEVER USE ABRASIVE CLEANSERS OR SCOURING PADS.



Exterior Surfaces

The exterior surfaces must be cleaned with a mild detergent and warm water to protect and maintain their attractive finish. **NEVER USE ABRASIVE CLEANSERS OR SCOURING PADS.**

Interior Surfaces

The interior surfaces may be cleaned with most domestic detergents, ammonia based cleaners and sanitizing solutions with no harm to the surface. Always read and follow the manufacturer's instructions when using any cleaning product.

! WARNING
Product will be degraded and may spoil if allowed to sit in a non-refrigerated area.



WARNING

Do NOT allow cleaning agent or cloth to contact food product.

Do NOT Use:

- Abrasive cleansers and scouring pads, as these will mar the finish.
- Coarse paper towels on coated glass.
- Ammonia-based cleaners on acrylic parts.
- A hose on lighted shelves or submerge the shelves in water.
- Solvent, oil or acidic based cleaners on any interior surfaces.
- A hose on rail lights, canopy lights or any other electrical connection.

Do Use:

- Remove the product and all loose debris to avoid clogging the waste outlet.
- Engage shelf light caps if removing shelves.
- Store product in a refrigerated area such as a cooler. Remove only as much product as can be taken to the cooler in a timely manner.
- **First turn off refrigeration, then disconnect electrical power.**
- Thoroughly clean all surfaces with soap and hot water. **DO NOT USE STEAM OR HIGH WATER PRESSURE HOSES TO WASH THE INTERIOR. THESE WILL DESTROY THE MERCHANDISERS' SEALING CAUSING LEAKS AND POOR PERFORMANCE.**

- Lift hinged fan plenum for cleaning. Hook chain in rear panel to secure plenum during cleaning. **BE SURE TO REPOSITION THE FAN PLENUM AFTER CLEANING MERCHANDISER.**

- Take care to minimize direct contact between fan motors and cleaning or rinse water.

- Rinse with hot water, but do NOT flood. **NEVER INTRODUCE WATER FASTER THAN THE WASTE OUTLET CAN REMOVE IT.**

- Allow merchandisers to dry before resuming operation.

- Wipe down lighted shelves with a damp sponge or cloth so that water does not enter the light channel. **DO NOT USE A HOSE OR SUBMERGE SHELVES IN WATER.**

- After cleaning is completed, turn on power to the merchandiser.

- Ensure shelf lights are fully seated and engaged.

CLEANING MIRRORS

Mirrors are sheets of clear glass that have very thin reflective and protective coatings applied to one side. These coatings are susceptible to deterioration if certain cleaning solutions and even water are allowed to come in contact with them. Every precaution should be taken to keep all liquids away from the coated side of the mirrors. **IF LIQUIDS ARE ALLOWED TO FLOW ALONG THE FACE SIDE OF THE MIRROR TO ITS EDGE, THE LIQUID CAN SEEP UP BETWEEN THE COATING AND THE GLASS, CAUSING SERIOUS DAMAGE.**

To Help Prolong the Life of the Mirrors:

- Use only mild cleaning solutions that do not leave residue, such as a weak (10%) solution of vinegar and water.

- Do NOT spray liquids on the mirrors. Away from food, dampen the cleaning cloth, then use the cloth to wipe the mirror.

- Wipe water from the mirrors immediately to prevent difficult to remove water spots and also to prevent the water from reaching the mirror’s edge.

- Never use dirty cloths, scrapers or any other abrasive materials for cleaning.

CLEANING HONEYCOMB ASSEMBLIES

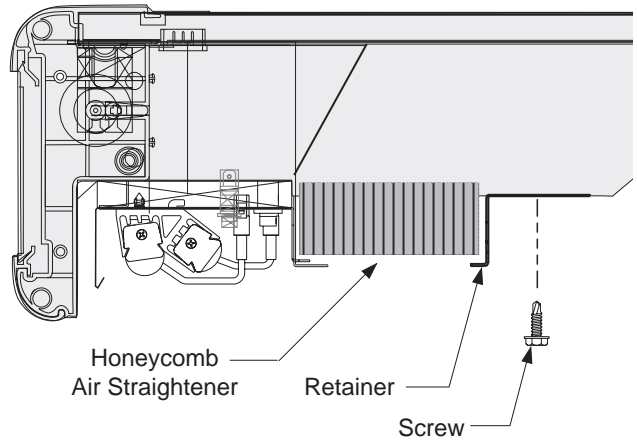
Honeycombs should be cleaned every six months. Dirty honeycombs will cause merchandisers to perform poorly. The honeycombs may be cleaned with a vacuum cleaner. Soap and water may be used if all water is removed from the honeycomb cells before replacing. Be careful not to damage the honeycombs. Damaged honeycombs need to be replaced for efficiency and performance of the refrigeration system.

Multi-deck Merchandisers

1. Honeycombs are 2 feet in length. Remove any screws from back of retainer that are attached to honeycomb.



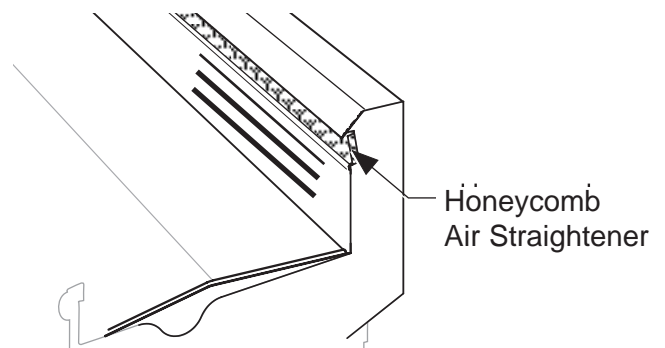
2. Loosen or remove screws that hold retainer in place.



3. Clean and dry the honeycomb.
4. After cleaning, replace honeycomb and slide retainer forward. Reinstall screw.

Single Deck Merchandisers

1. Using a flat object such as a screw driver, compress the honeycomb and remove it from its retainer.
2. Clean and dry the honeycomb.
3. After cleaning, replace in reverse order.



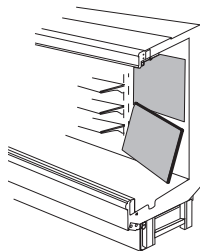
CLEANING STAINLESS STEEL RAILS

Use non-abrasive cleaning materials, and always polish with grain of the steel. Use warm water or add a mild detergent to the water and apply with a cloth. Always wipe rails dry after wetting. Use alkaline chlorinated or non-chlorine containing cleaners such as window cleaners and mild detergents. Do not use cleaners containing salts as this may cause pitting and rusting of the stainless steel finish. Do not use bleach. Clean frequently to avoid build-up of hard, stubborn stains. A stainless steel cleaning solution may be used periodically to minimize scratching and remove stains. Rinse and wipe dry immediately after cleaning. Never use hydrochloric acid (muriatic acid) on stainless steel.

REMOVING INTERIOR BACK PANELS

The interior back panels may be removed for cleaning and to gain access to the evaporator coils. Remove the rear interior back panels as follows:

1. **DISCONNECT THE ELECTRICAL POWER TO THE MERCHANDISER.**
2. Unplug shelf lights and insert plastic protective cap. Remove shelving.
3. Remove the lower panel first: lift the panel up, then pull forward and out.
4. Remove the top panel.
5. Replace panels in reverse order, starting with the top panel.
6. After cleaning or servicing the merchandiser, allow shelf lights to fully dry. Reconnect shelf lights and return power to the merchandiser.



CLEANING COILS

NEVER USE SHARP OBJECTS AROUND COILS. Use a soft brush or vacuum brush to clean debris from coils. **Do not puncture coils!** Do not bend fins. Contact an authorized service technician if a coil is punctured, cracked, or otherwise damaged.

ICE in or on the coil indicates the refrigeration and defrost cycle is not operating properly. Contact an authorized service technician to determine the cause of icing, and to make adjustments as necessary. To maintain product integrity, move all product to a cooler until the unit has returned to normal operating temperatures.

Do NOT use chlorine or ammonia-based cleaners to clean aluminum coils.

REMOVING SCRATCHES FROM BUMPER

Most scratches and dings can be removed using the following procedure.

1. Use steel wool to smooth out the surface area of the bumper.
2. Clean area.
3. Apply vinyl or car wax and polish surface for a smooth glossy finish.

CLEANING UNDER MERCHANDISERS

Remove splashguards not sealed to floor. Use a vacuum with a long wand attachment to remove accumulated dust and debris from under the merchandiser.

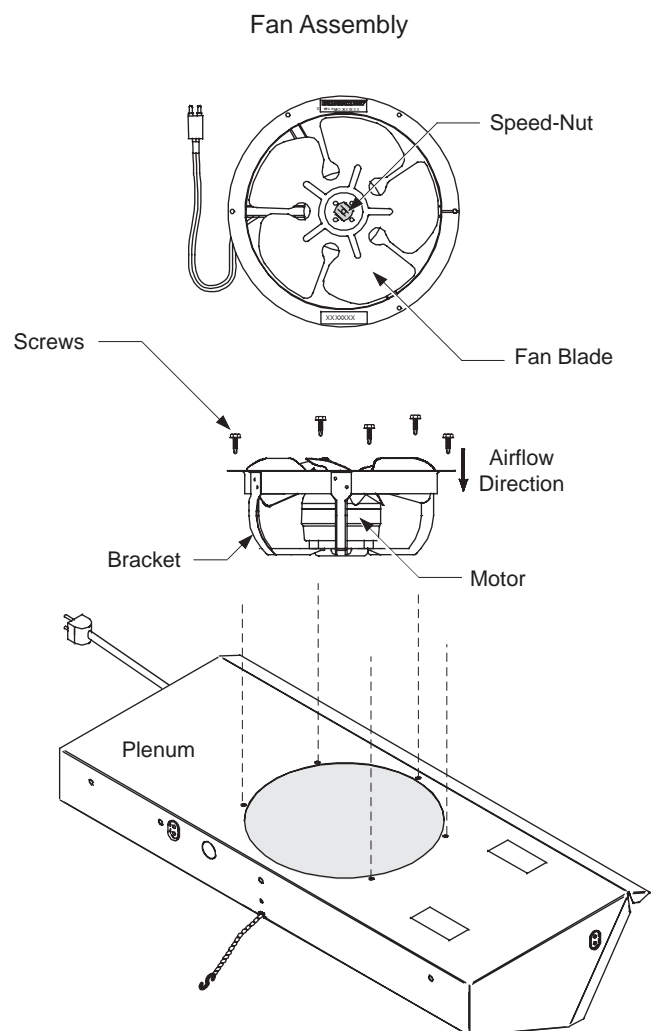
SERVICE

REPLACING FAN MOTORS AND BLADES

See cross section for location of evaporator fans. Should it ever be necessary to service or replace the fan motors or blades be certain that the fan blades are re-installed correctly.

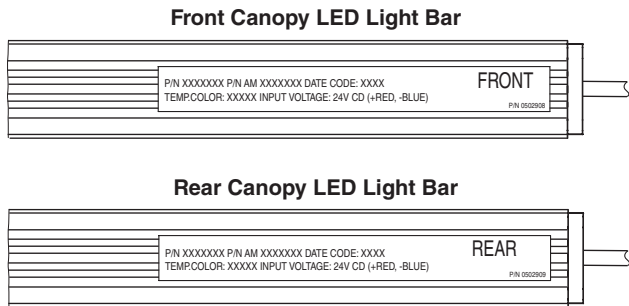
For access to these fans:

1. Turn off power.
2. Remove bottom display pans.
3. **Disconnect fan from wiring harness.**
4. Remove fan blade.
5. Remove screws holding fan motor/bracket assembly to plenum and remove assembly.
6. Replace fan motor/bracket assembly and reinstall screws.
7. Reinstall fan blade.
8. Reconnect fan to wiring harness.
9. Turn on power.
10. Verify that motor is working and blade is turning in the correct direction.
11. Close air gaps under fan plenum. Warmer air moving into refrigerated air reduces effective cooling. If the plenum does not rest against the case bottom without gaps, apply foam tape to the bottom of the fan plenum to reduce improper air movement. Use silicone sealant to close other gaps.
12. Replace display pans. Bring merchandiser to operating temperature before restocking.



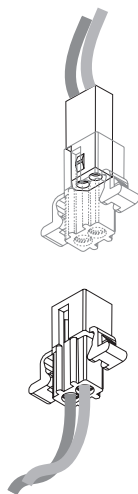
REPLACING LED CANOPY LIGHT BARS

There are always two rows of canopy LED lights. The rear light bar illuminates the upper section of the case and the front light bar illuminates the lower section of the case. The front and rear light bars are labeled **FRONT** and **REAR** respectively and have a different shaped lens. They shall not be interchanged.



The light bars are attached to the lamp panel using clips. When replacing clips ensure that the part number of the clip is the same as the original clip.

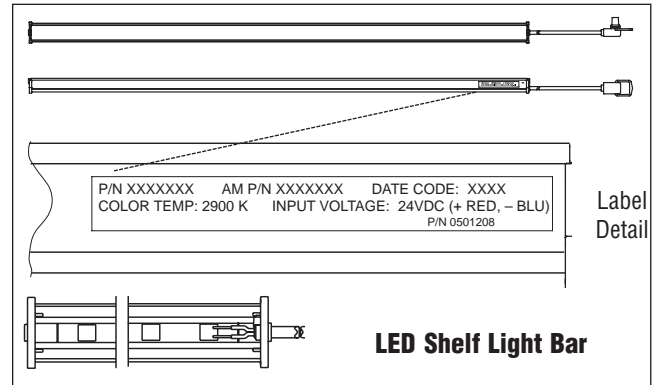
The light bars are connected through a two-conductor connector. Push on the release tab on the connector, then pull down on the connector. Do not pull on wires. LED power source is 24-volts for safety.



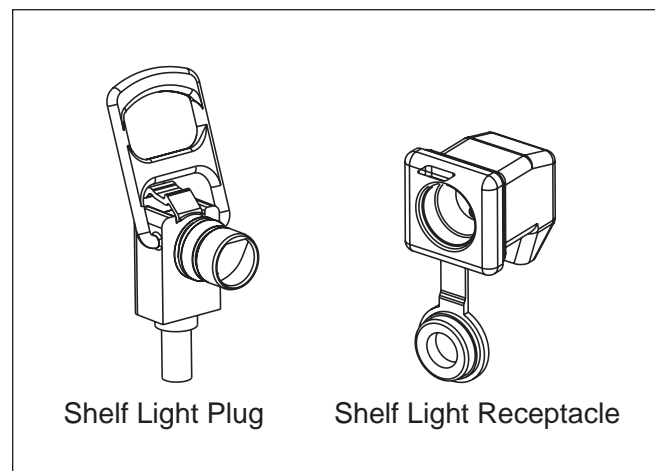
Canopy LED Light Connector

REPLACING LED SHELF LIGHT BARS

The LED shelf light bars are held in place using clips or a magnetic surface on the back of the light bar.



1. Turn off power to the merchandiser, and turn canopy light switch off. Unplug the shelf connector from its socket.
2. Replace with the appropriate Husmann LED light bar.

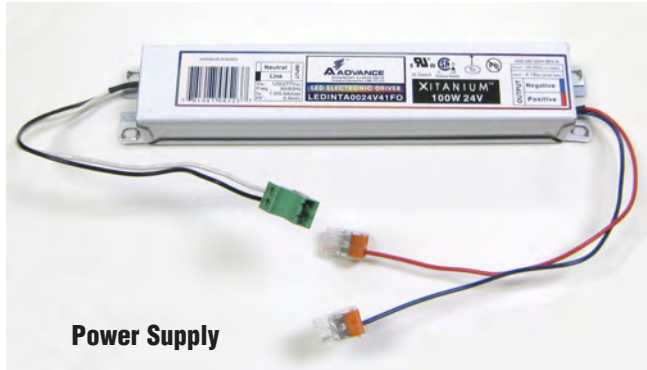


Shelf Light Plug

Shelf Light Receptacle

REPLACING LED POWER SUPPLIES

The LED power supplies for canopy lights and shelf lights are located at the top of the merchandiser inside the canopy.

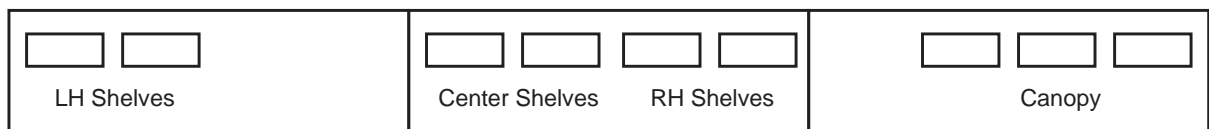


1. **DISCONNECT POWER TO THE MERCHANDISER.**
2. Remove light bars from the canopy.
3. Remove the screws that secure the lamp panel.
4. Grasp the lamp panel at its front edge and carefully pull down. It will swing freely from its hinged rear edge.
5. Replace power supply and reassemble parts in reverse order.
6. Reconnect the electrical power.

6 ft & 8 ft



12 ft



Canopy and Shelf LED Power Supply Arrangement

REPAIRING ALUMINUM COIL

The aluminum coils used in Hussmann merchandisers may be easily repaired in the field. Materials are available from local refrigeration wholesalers.

Hussmann recommends the following solders and technique:

Solders

Aladdin Welding Products Inc.
P.O. Box 7188
1300 Burton St.
Grand Rapids, MI 49507
Phone: 1-800-645-3413
Fax: 1-800-645-3414

X-Ergon
1570 E. Northgate
P.O. Box 2102
Irving, TX 75062
Phone: 1-800-527-9916

NOTE:

Hussmann Aluminum melts at 1125°F (607°C)
Aladdin 3-in-1 rod at 732°F (389°C)
X-Ergon Acid core at 455°F (235°C)

Technique:

1. Locate Leak.
2. REMOVE ALL PRESSURE.
3. Brush area UNDER HEAT.
4. Use PRESTOLITE TORCH ONLY. Number 6 tip.
5. Maintain separate set of stainless steel brushes and USE ONLY ON ALUMINUM.
6. Tin surface around area.
7. Brush tinned surface UNDER HEAT, thoroughly filling the open pores around leak.
8. Repair leak. Let aluminum melt solder, NOT the torch.
9. Don't repair for looks. Go for thickness.
10. Perform a leak check.
11. Wash with water.
12. Cover with a good flexible sealant.

HUSSMANN[®]

To obtain warranty information
or other support, contact your Hussmann
representative.

Please include the model and
serial number of the product.

Husmann Corporation

12999 St. Charles Rock Road
Bridgeton, MO 63044-2483
www.husmann.com