



OPERATING AND MAINTENANCE MANUAL

PROCESS V

7/6/23



-IMPORTANT-

Always reference the full model number and serial number when calling the factory.

HUBBELL ELECTRIC HEATER COMPANY
45 SEYMOUR STREET
STRATFORD, CT 06615

PHONE: (203) 378-2659
FAX: (203) 378-3593
Hubbellheaters.com

Table of Contents

Will fill in as sections are entered. Always remember whenever adjustments are made, to click on update table to finalize. Page numbers will update accordingly.

- SECTION I - GENERAL DESCRIPTION AND CONSTRUCTION 4**
 - CONSTRUCTION 7
 - TANK CONNECTIONS..... 7
 - HEATING ELEMENT 7
 - MAGNETIC CONTACTOR 7
 - CONTROL BOARD AND DISPLAY..... 7
 - LOW VOLTAGE CONTROL TRANSFORMER 7
 - POWER CIRCUIT BREAKERS..... 8
 - OUTER SHELL, INSULATION, AND SUPPORTS..... 8
 - OPTIONAL EQUIPMENT..... 8
- SECTION II – INSTALLATION AND START-UP..... 10**
 - WATER HEATER PLACEMENT 10
 - SLIDE BRACKETS FOR HANGING SUPPORT MOUNTING..... 10
 - PIPING INSTALLATION..... 10
 - FILLING THE HEATER 12
 - ELECTRICAL INSTALLATION 12
 - OPTIONAL **XB1** EXPANSION BOARD 12
 - FOR REMOTE ON/OFF CONTROL 13
 - OPTIONAL REMOTE ALARM CONTACTS..... 13
 - OPTIONAL FIELD CONVERSION FROM SINGLE TO THREE PHASE OR THREE TO SINGLE PHASE 13
 - OPTIONAL 24-VOLT HEATER INTERLOCK ADAPTER 14
 - FINAL CHECKS 14
 - WIRING CHARTS..... 15
 - WIRING DIAGRAMS..... 19
 - PLUMBING CONNECTIONS..... 23
- SECTION III – SCHEDULED MAINTENANCE..... 25**
 - MAINTENANCE AND OPERATION 25
 - FREEZING 25
 - CONTROLLER OPERATION..... 25
 - ANNUAL INSPECTION..... 26
- SECTION IV – TROUBLESHOOTING..... 28**

ERROR MESSAGES..... 28

CONTACTOR CARE 28

DISPLAY BUTTONS..... 28

MISCELLANEOUS..... 28

GENERAL TROUBLESHOOTING..... 29

CONTROL BOARD (T1000) / DISPLAY (TD1000) TROUBLESHOOTING 30

MAGNETIC CONTACTOR TROUBLESHOOTING..... 31

SECTION V - SERVICING & REPLACEMENT OF PARTS 33

 HEATING ELEMENT 33

 MAGNETIC CONTACTOR 33

 CONTROL BOARD 34

 RELIEF VALVE 34

 P65 SENSOR PROBE..... 35

 P65 THERMOWELL..... 36

SECTION VI – SERVICE PARTS LIST 37

SECTION VII – TORQUE VALUES 39

SECTION VIII – WARRANTY 40

WARNING / CAUTION

1. Tank is to be completely filled with water and all air is to be vented before energizing.
2. Due to the rigors of transportation, all connections should be checked for tightness before heater is placed in operation.
3. Safety relief valve must be installed in tapping provided.
4. The refractory material used in heating elements may absorb some moisture during transit, periods of storage, or when subjected to a humid environment. This moisture absorption results in a cold insulation resistance of less than one (1) megohms. If this heater has been subjected to the above condition, each heating element must be checked for insulation resistance before energizing. Contact the factory for a replacement element.
5. **KEEP AWAY FROM LIVE ELECTRICAL CIRCUITS.**
Do not perform any maintenance, make any adjustments, or replace any components inside the control panel with the high voltage power supply turned on. Under certain circumstances, dangerous potentials may exist even when the power supply is off. To avoid casualties, always turn the power supply safety switch to off, turn off the charge or ground the circuit before performing any maintenance or adjustment procedure.
6. The unit is designed to operate at pressure not more than 150 psi.
7. Generalized instructions and procedures cannot anticipate all situations. For this reason, only qualified installers should perform the installations. A qualified installer is a person who has licensed training and a working knowledge of the applicable codes, tools, equipment, and methods necessary for safe installation of an electric resistance water heater. If questions regarding installation arise, check your local plumbing and electrical inspectors for proper procedures and codes. If you cannot obtain the required information, contact the company.
8. Water Quality Requirements – Recommended water hardness is 4 to 6 grains of hardness per gallon (GPG). Water hardness above 6 GPG should be treated by a water conditioner (water softener or in-line treatment). Water hardness below 4 GPG also requires treatment to reduce potential corrosion. Excessive GPG will result in higher operating and maintenance costs and will reduce product longevity. Chlorides must not exceed 50 parts per million (ppm). Excessive chlorides will result in metallic corrosion and will reduce product longevity. Water treatment has been shown to reduce costs associated with de-liming the heater as well as reducing metallic corrosion. Product failure caused by these conditions is not covered under warranty.

See warranty for complete details.

SECTION I - GENERAL DESCRIPTION AND CONSTRUCTION

This book describes a packaged electric water heater designed for use in an industrial or commercial application. The complete assembly consists of the storage tank, immersion electric heating element(s), electronic control module, safety relief valve, magnetic contactor(s), and any other required electrical operating control. Optional equipment may be supplied with your unit. Please consult the product drawing supplied with the unit for details specific to your assembly. The unit is factory assembled, insulated, jacketed, wired, tested, and ready for electrical and plumbing service connections.

CAPACITY

Model	Storage Capacity (gallons)	kW	60°F Rise (GPH)	80°F Rise (GPH)	100°F Rise (GPH)	120°F Rise (GPH)	Model	Storage Capacity (gallons)	kW	60°F Rise (GPH)	80°F Rise (GPH)	100°F Rise (GPH)	120°F Rise (GPH)
V32.9	3	2.9	20	15	12	10	V161	16	1	6	5	4	3
V35.7	3	5.7	39	29	23	19	V161.5	16	1.5	10	7	6	5
V39.9	3	9.9	68	51	41	34	V162	16	2	13	10	8	6
V310.4	3	10.4	71	53	43	36	V163	16	3	20	15	12	10
V311.4	3	11.4	78	58	47	39	V164	16	4	27	20	16	13
V411	4	11.4	78	58	47	39	V166	16	6	41	30	24	20
V415	4	15	103	77	62	51	V167	16	7	47	35	28	23
V427	4	27	185	138	111	92	V169	16	9	61	46	36	30
V61	6	1	7	5	4	3	V1612	16	12	82	61	49	41
V61.5	6	1.5	10	8	6	5	V1613	16	13.5	92	69	55	46
V62	6	2	14	10	8	7	V1615	16	15	102	76	61	51
V63	6	3	21	15	12	10	V1618	16	18	123	92	73	61
V64	6	4	27	21	16	14	V1624	16	24	164	123	98	82
V65	6	5	34	26	21	17	V1627	16	27	184	138	110	92
V66	6	6	41	31	25	21	V1630	16	30	205	153	123	102
V67	6	7	48	36	29	24	V1636	16	36	246	184	147	123
V69	6	9	62	46	37	31	V1639	16	39	266	199	159	133
V610	6	10.5	72	54	43	36	V1640	16	40.5	276	207	166	138
V612	6	12	82	62	49	41	V1645	16	45	307	230	184	153
V613	6	13.5	92	69	55	46	V1654	16	54	369	276	221	184
V615	6	15	103	77	62	51	V1658	16	58.5	399	299	239	199
V618	6	18	123	92	74	62	V1664	16	64	437	328	262	218
V624	6	24	164	123	98	82	V1666	16	66	451	338	270	225
V627	6	27	185	138	111	92	V1668	16	68	464	348	278	232
V630	6	30	205	154	123	103	V1679	16	79	539	404	323	269
V636	6	36	246	185	148	123	V1681	16	81	553	415	332	276
V639	6	39	267	200	160	133	V1685	16	85	580	435	348	290
V640	6	40.5	277	208	166	138	V1686	16	86	587	440	352	293
V645	6	45	308	231	185	154	V1688	16	88	601	451	360	300
V654	6	54	369	277	221	185	V1690	16	90	615	461	369	307
V658	6	58.5	400	300	240	200							

If the required temperature rise is not listed above, the following formula may be used to determine the maximum flow rate:

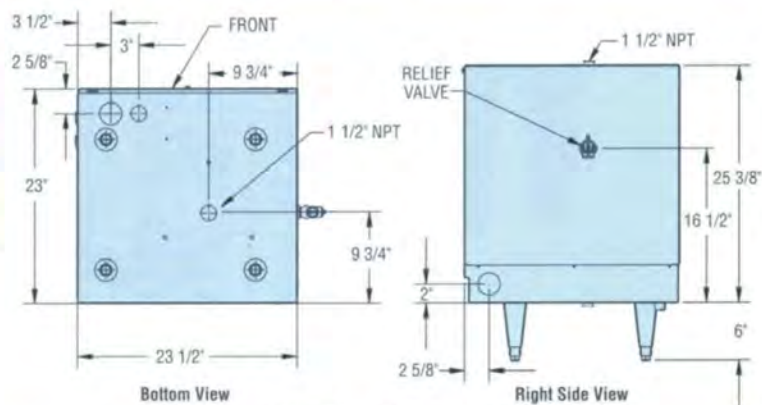
$$\text{Flow Rate (GPH)} = \text{kW} * 410 / \text{Temperature Rise (°F)}$$

$$\text{Required kW} = \text{Temperature Rise (°F)} * \text{Flow Rate (GPH)} * 0.00244$$

MODEL V16 - (64 TO 90 kW) DIMENSIONS



Shipping Weight: 180 lbs.

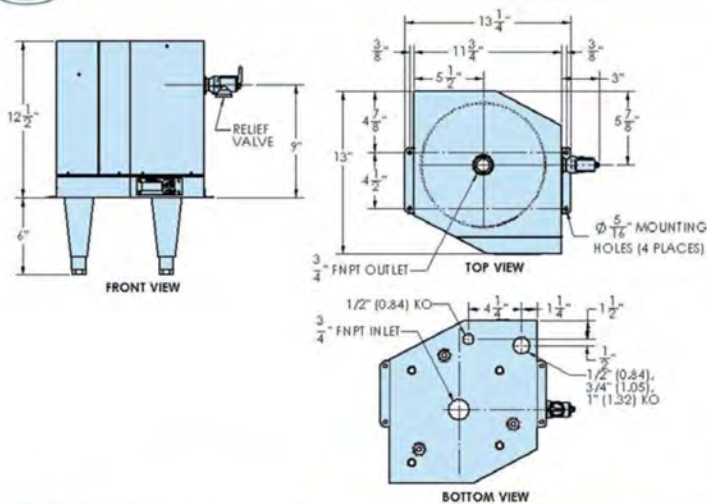


KNOCKOUTS: LEFT SIDE - 1-1/2" x 2"
BOTTOM - 1-1/2" x 2" & 3/4" x 1" x 1-1/4"

MODEL V3 - DIMENSIONS



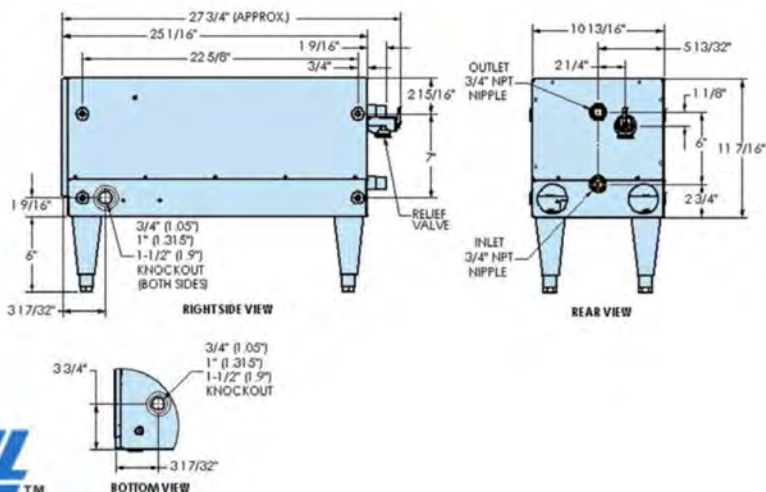
Shipping Weight: 46 lbs.



MODEL V4 - DIMENSIONS



Shipping Weight: 80 lbs.



Hubbell™

CONSTRUCTION

TANK

The storage tank is designed, manufactured, and stamped in accordance with ASME Section VIII Division 1. The tank is constructed of type 304L stainless steel and fabricated by all welded construction and is designed for a maximum allowable working pressure of 150 psi (225 psi test pressure).

TANK CONNECTIONS

The heater is supplied with separate connections for the cold/warm inlet and the hot water outlet. Water entering the cold-water inlet and leaving through the hot water outlet is evenly circulated by means of a diffuser within the tank. A 3/4-inch FNPT connection is provided for mounting a combination safety temperature and pressure relief valve. An overflow line should be utilized from the relief valve outlet to a floor drain. See drawing for locations and sizes.

HEATING ELEMENT

The water heater is supplied with an electric immersion heating element assembly(s), composed of corrosion resistant sheathed elements that are fitted into a 1½-12UNF brass screw plug with a 1⅞" hex. Each assembly is threaded into the tank and sealed with an O-ring gasket. See drawing for voltage and power ratings. Note that the V3 model element is a 1" NPS thread with a 1½" hex.



MAGNETIC CONTACTOR

Load switching is done by a heavy-duty resistive (non-inductive) load type definite purpose magnetic contactor. The contactor supplies power to the heating element(s) when the relay on the control board is closed, thereby pulling in the contacts until the desired temperature is reached. At this point, the contacts will drop out, which in turn disconnects power from the elements. Units with two contactors will turn on and off in stages.



CONTROL BOARD AND DISPLAY

The control board supplies all the necessary functions for heater operation. These include control temperature, high-limit cut-out, low water detection, and leak detection.



LOW VOLTAGE CONTROL TRANSFORMER

A control circuit transformer is supplied with all models rated greater than 240-volts. This component is used to step down the primary power supply (600, 480, 440, 415, 380, or 277) to 208/240-volts for safety when working with control circuits.



POWER CIRCUIT BREAKERS

When required by code, a magnetic power circuit breaker is supplied for circuit overload protection. The circuit breaker can be reset in the event of a current overload.



OUTER SHELL, INSULATION, AND SUPPORTS

The tank is encapsulated in high efficiency foam insulation meeting the requirements for UL 94 HF-1 rating. The protective shell is constructed of type 304 brushed stainless steel. NSF approved adjustable plastic legs are provided for support.

OPTIONAL EQUIPMENT

Dielectric Unions

Dielectric unions are provided for the inlet and outlet nipples to isolate stray ground currents to reduce the possibility of galvanic corrosion.



Dial Temperature and Pressure Gauge

A combination temperature (30°-240° F / 0°-120°C) and pressure (0–200 psi / 0-1400 kPa) gauge with 3-inch dial is supplied with the unit for in-line installation (shipped loose). The connection is ½” NPT with a 2” long sensing probe.



Slide Brackets

Available for the V6 Model only, these brackets allow for mounting the water heater under a counter. See slide bracket diagram on page 10 for details.

Shock Absorber

The optional shock absorber can be installed between the heater and the process to reduce the harmful pressures resulting from quick closing solenoid valves.



Legs

In lieu of the standard black plastic legs, optional adjustable legs are available in stainless steel, die-cast nickel plated, and floor mount stainless steel. All optional legs are adjustable height type.



Floor Mount



Nickel Plated



Stainless Steel

Security Package

A tamper resistant package is available. All external screws are spader type requiring a spader wrench for removal.

Alternate Voltage

Other voltages are available, including 277V single-phase, and 380V, 415V, and 440V three phase. Consult the factory for details.

Water Treatment System

The optional water treatment system provides superior mineral scale prevention and corrosion control by feeding a special blend of scale control compounds into the cold-water stream before the heater. The in-line system includes a clear cartridge housing to allow an operator to view the cartridge and determine when it needs replacement without the need to open the system.



XB1 Expansion Board

An optional expansion board to the control board can be used to for additional circuit firing when more than two circuits are required and/or as an auxiliary high or low temperature alarm/relay. On models with three contactors the **XB1** is supplied as standard.

Remote Alarm Plug Adapter

An optional plug adapter is available to provide a remote fault alarm signal through the J4 connector on the control board. See page 13 for installation details.



24-Volt Heater Interlock Adapter

An optional plug adapter is available to interlock the heater via a 24-volt signal through the J1 connector on the control board. See page 14 for installation details. (Only available with r23 or later software).



Protective Shrouds (V6 and V16 only)

An optional durable protective plastic shroud is available to prevent damage to the heater due to water intrusion. The cover fits snugly over the entire heater and can be easily removed for cleaning and service.



SECTION II – INSTALLATION AND START-UP

WARNING / CAUTION

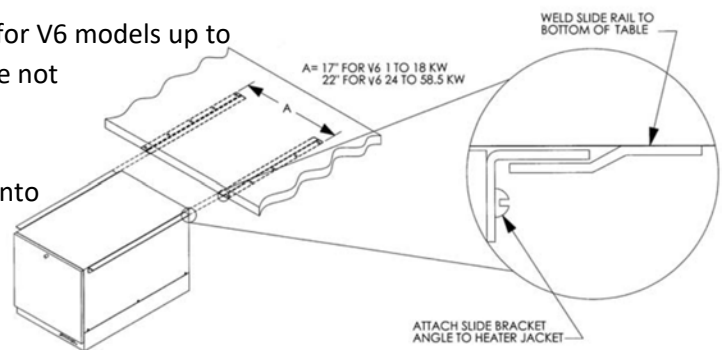
- DO NOT TURN ON THE ELECTRIC POWER SUPPLY to this equipment until heater is completely filled with water and all air has been released. *If the heater is NOT filled with water when the power is turned on, the heating elements will burn out.*
- For protection against excessive pressures and temperatures, local codes require the installation of a temperature-and-pressure (T&P) relief valve certified by a nationally recognized laboratory that maintains periodic inspection of production of listed equipment of materials, as meeting the requirements for Relief Valves and Automatic Gas Shutoff for Hot Water Supply Systems. ANSI Z21.22-1971. THE CUSTOMER IS RESPONSIBLE TO PROTECT PROPERTY AND PERSONNEL FROM HARM WHEN THE VALVE FUNCTIONS.
- All water heaters have a risk of leakage at some unpredictable time. IT IS THE CUSTOMER'S RESPONSIBILITY TO PROVIDE A CATCH PAN OR OTHER ADEQUATE MEANS, SO THAT THE RESULTANT FLOW OF WATER WILL NOT DAMAGE FURNISHINGS OR PROPERTY.
- Installation or service of this unit requires ability equal to that of a licensed tradesman in the field.
- The installation must conform to these instructions and any local authority having jurisdiction. Grounding and electrical wiring connected to the unit must also conform to the latest version of the National Electric Code NFPA-70.

WATER HEATER PLACEMENT

1. Place the heater on a solid, level foundation in a clean, dry location.
2. The water heater should be protected from freezing and waterlines insulated to reduce energy and water waste.
3. Leave a minimum of 18" clearance for element withdrawal and control access.
4. Do not install in an area where flammable liquids or combustible vapors are present.

SLIDE BRACKETS FOR HANGING SUPPORT MOUNTING

1. Weld slide rails to bottom of table. Spacing should be 17" for V6 models up to 18kW and 22" for V6 models 24 to 58.5kW. V16 models are not designed for use with slide brackets.
2. Attach slide bracket angles to heater with #8 sheet metal screws. It will be necessary to drill 1/8" holes into heater jacket for screw pilot holes.
3. Slide heater onto slide rails under table.



PIPING INSTALLATION – See Diagrams pages 23 and 24.

NOTES:

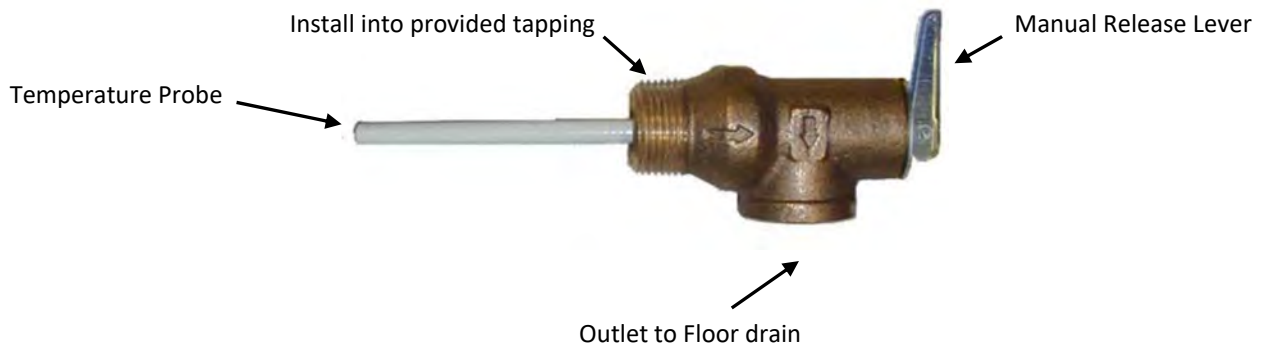
- No check valve may be installed in the supply line to the heater.
- All shut-off valves must be gate or ball valves – not globe valves.
- To minimize heat loss and maximize efficiency, hot water piping should be insulated.
- Teflon tape should be used on all NPT threaded pipe connections.
- It is recommended that dielectric unions be installed on the inlet and outlet of the heater.

1. Connect the cold-water inlet and hot water outlet to the appropriate connections as shown; refer to the specifications for location and sizes.

IMPORTANT (applies to V6 Models only) – Do not turn the entering cold water or exiting hot water nipples from their factory installed positions. The internal diffusers are aligned at the factory and turning the nipple will change the diffuser position and affect performance. Hubbell recommends that the inlet and outlet pipes are insulated to prevent excessive heat loss.

IMPORTANT (applies to V6 Models only) – Do not apply heat directly to the entering cold water or exiting hot water nipples. If sweat connections are to be used, sweat tubing to the adapter before threading the adapter to the nipple on the heater. Any heat applied to the heater nipple will damage the internal plastic diffuser and affect performance.

2. Install the combination temperature and pressure safety relief valve in the tapping provided. Note that this is required by law for safety considerations.

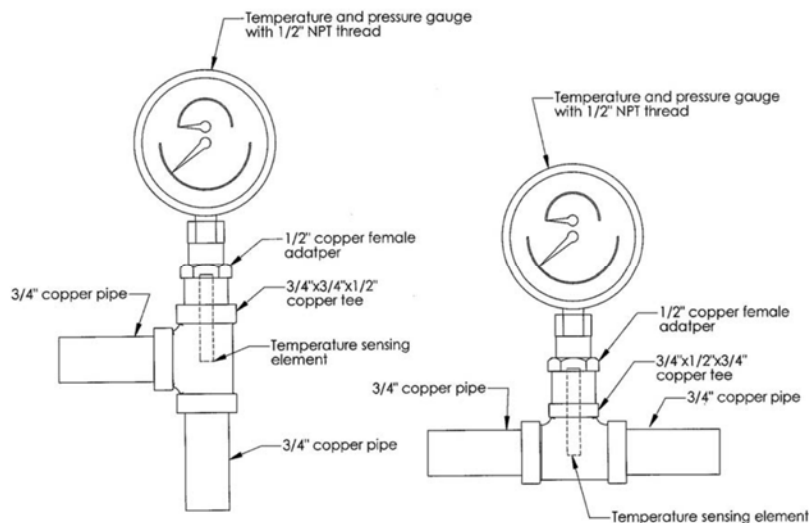


3. Install a relief valve overflow pipe to a nearby floor drain.

NOTE: Relief valve discharge piping limitations:

- a. Termination to be plain end (no threads) and 6-inches above the drain.
- b. Maximum 30-feet.
- c. Maximum four (4) elbows.
- d. No reduction in line size.
- e. No valve of any type to be installed between the relief valve and tank or in the drain line.

4. Install the dial temperature and pressure gauge (if supplied) in the inlet and/or outlet line. The temperature sensing element must be in the hot water stream and the gauge must be mounted upright.



FILLING THE HEATER

1. Open the valve to the cold-water inlet and allow the heater and piping system to completely fill, as indicated by a steady flow of water through process outlet.

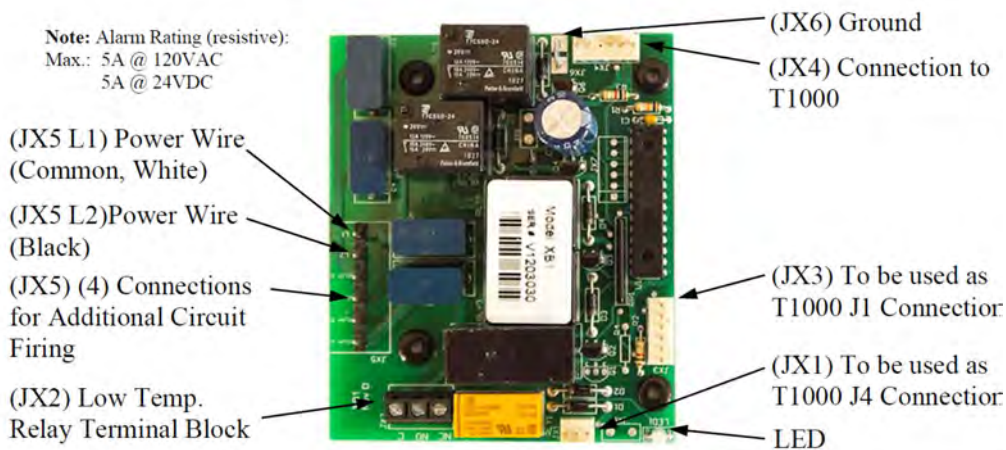
NOTE: Flush the tank at full flow for 10 minutes prior to putting into service.

ELECTRICAL INSTALLATION

1. Enter the base through the factory cut KO's with properly sized feeder leads, see wiring charts starting on page 15. Single-phase installations require two (2) leads. All Hubbell 3-phase heaters are intended for use with a 3-wire delta system plus ground. No neutral is required. For a 4-wire plus ground system, install 3 legs of power plus the ground and terminate the neutral leg.
2. Install these power leads into the box lugs on the power distribution block or magnetic contactor, as required.
3. Connect incoming ground wire to ground lug supplied.
4. Check for proper grounding. Check for AC millivolts (mV) between the ground connection at the heater and the inlet piping past the dielectric union (on the building side, not the heater side). There should be zero potential/millivolts (mV). If not zero, then the piping should be re-grounded.
5. All other electrical connections are made at the factory; therefore, no other electrical connections are necessary.
6. Check all connections, including factory connections, for tightness.

OPTIONAL XB1 EXPANSION BOARD (used for temperature alarm / interlock)

1. If desired, the **XB1** can be used as an alarm relay or a temperature interlock at a setpoint other than the water temperature setpoint on the water heater.
2. If the **XB1** is not factory installed, mount the **XB1** to the control panel and connect the **XB1** to the **T1000** control board with the factory supplied cable between JX4 on the **XB1** and J1 and J4 on the **T1000** and connect the ground between JX6 on the **XB1** and J8 on the **T1000**.
3. Make connections as required to the relay terminal block. When the temperature drops below the **XB1** setpoint the relay is open between Normally Open (NO) and Common (C) and the LED will flash green. When the temperature is above the **XB1** setpoint the relay is closed between NO and C and the LED will be solid green. Use NO and C for low temperature interlock or high temperature alarm. Use Normally Closed (NC) and C for low temperature alarm. A red LED indicates an error.

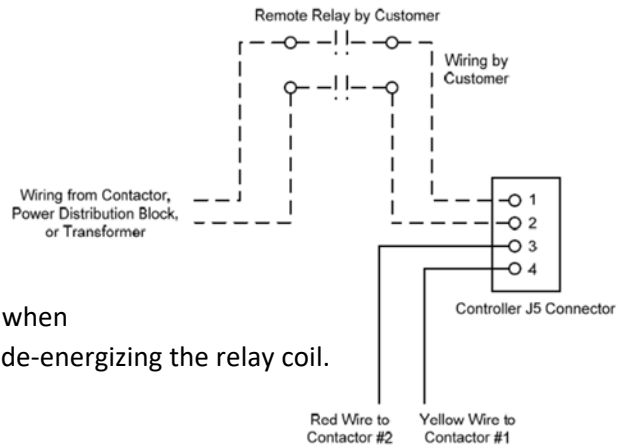


Note: Once the XB1 is connected to the T1000 control board, an additional menu option will be available to set the low temperature setpoint. See Section III.

FOR REMOTE ON/OFF CONTROL

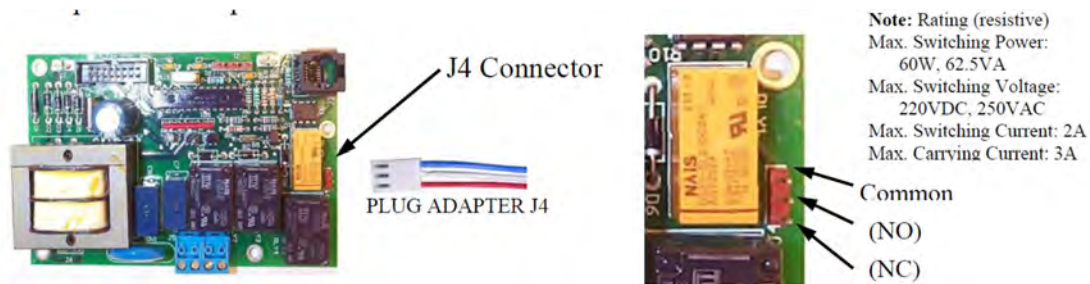
To remotely control the On / Off operation of the heater, it is recommended that a DPST switch or relay (by others) be used to break both power legs (white and black wires) connected to the top two terminals of the J5 connector on the control board. See diagram at right.

Use a NC (Normally Closed) relay to turn the heater ON when energizing the relay coil or to turn the heater OFF when de-energizing the relay coil.
Use a NO (Normally Open) relay to turn the heater OFF when energizing the relay coil or to turn the heater ON when de-energizing the relay coil.



OPTIONAL REMOTE ALARM CONTACTS

1. If desired, the control board can be wired to a remote alarm to indicate a reset fault condition. These fault conditions include over-temperature, no probe, and low water (when the configuration is set to manual reset).
2. This alarm can be wired to the J4 connector on the control board as shown below. To facilitate this installation, an optional adapter, Hubbell P/N PLUG ADAPTER J4, can be purchased to provide wire connections.

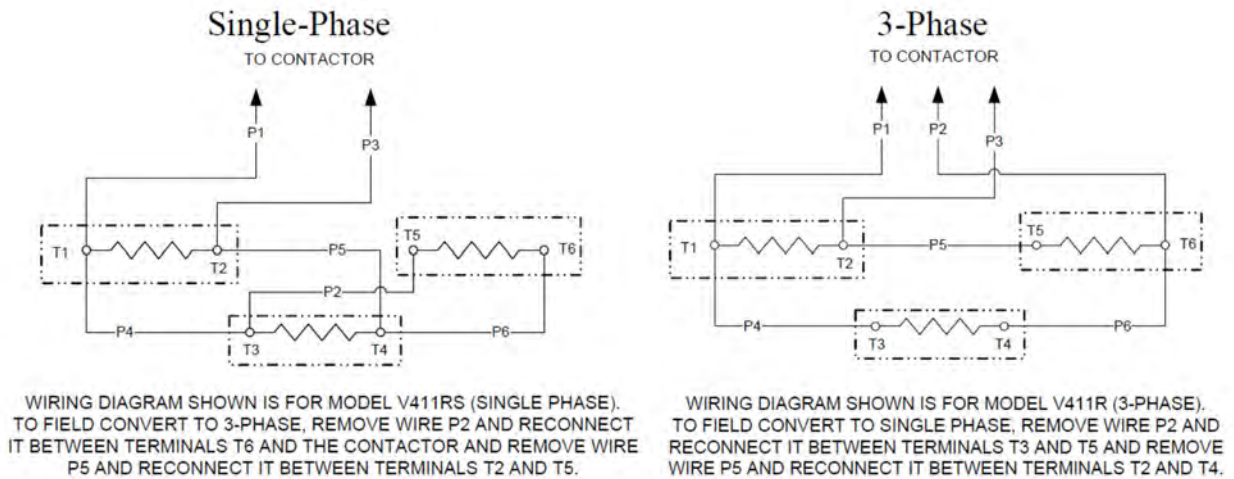


Note: When the [XB1](#) expansion board is used, the J4 PLUG ADAPTER should plug into the JX1 connection on the [XB1](#).

OPTIONAL FIELD CONVERSION FROM SINGLE TO THREE PHASE OR THREE TO SINGLE PHASE (V6 and V16 models in 6, 7, and 9 kW and 208 and 240 volts and V411 models only)

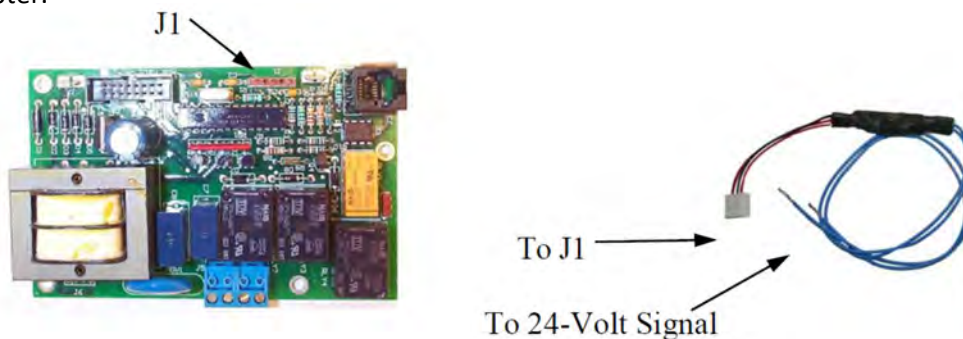
1. For V6 and V16 models:
 - a. Find the appropriate diagram for the unit to be converted in the following chart titled "Wiring Chart".
 - b. Re-wire the unit according to the diagram.
NOTE: The wire to be used for internal wiring must conform to SEW-2 or PTFE (200°C) and must match the wire size currently in use. Contact the factory for assistance if required.
 - c. Contact the factory for correct labels. The factory will need the serial number for proper identification.

2. For V411 models:
 - a. Re-wire the unit to desired configuration as indicated below.



OPTIONAL 24-VOLT HEATER INTERLOCK ADAPTER

1. If desired, the heater can be wired to operate only when supplied with a 24-volt signal through the heater interlock adapter. When no 24-volt signal is supplied through the heater interlock adapter the heater is interlocked and will not energize. When interlocked the display will show “ H L d ”. The heater will resume normal operation when a 24-volt signal is re-applied through the heater interlock adapter.
2. To utilize this feature, plug the 24-volt heater interlock adapter into terminal J1 of the T1000 control board (Note: if the XB1 expansion board is used, plug the adapter into terminal JX3 of the XB1) and verify that the configuration is set to “ H o n ”, see the controller operation section for further detail. The signal can be either AC or DC. However, if a DC signal is utilized and the interlock feature does not operate, switch the two 24-volt supply wires at the heater interlock adapter.



FINAL CHECKS

1. Check all connections for tightness.
2. Ensure that all the above steps are completed.
3. Remove the protective outer plastic covering from the sheet metal shell.
4. After the water is heated for the first time, monitor the water temperature as described in Section III, Annual Inspection.

WIRING CHARTS

V6 and V16 Wiring Chart

kW	Volt	Ph	Unit Amp Draw	Branch Amp Draw	Phase-Phase Resistance (Ohms)	Min. Feed Breaker or Fuse Size	Internal Power Wire Size	Element Jumper Wire Size	Copper Power Feed Wire Size	Conduit Size	Diagram
1	120	1	8.3	8.3	14.4	15	12	N/A	14	½"	1(NT)
1.5	120	1	12.5	12.5	9.6	20	12	N/A	14	½"	1(NT)
2	120	1	19.8	19.8	6.1	25	12	N/A	12	½"	1(NT)
3	120	1	25.0	25.0	4.8	35	12	12	10	½"	1(NT)
4	208	1	19.2	19.2	10.8	25	12	N/A	10	½"	1(NT)
	240	1	16.7	16.7	14.4	25	12	N/A	12	½"	1(NT)
	380	1	10.7	10.7	36.1	15	12	N/A	12	½"	1(WT)
	480	1	8.3	8.3	57.6	15	12	N/A	14	½"	1(WT)
5	208	1	24.0	24.0	8.7	30	12	N/A	10	½"	1(NT)
	240	1	20.8	20.8	11.5	30	12	N/A	10	½"	1(NT)
	380	1	13.2	13.2	28.9	20	12	N/A	12	½"	1(WT)
	480	1	10.4	10.4	46.1	15	12	N/A	14	½"	1(WT)
6	208	1	28.8	28.8	7.2	40	12	12	8	½"	4
	208	3	16.7	16.7	14.4	25	12	12	10	½"	10(NT)
	240	1	25.0	25.0	9.6	35	12	12	8	½"	4
	240	3	14.4	14.4	19.2	20	12	12	12	½"	10(NT)
	380	3	8.6	8.6	48.1	15	12	12	14	½"	10(WT)
	480	3	7.2	7.2	76.8	10	12	12	14	½"	10(WT)
	600	3	6.0	6.0	114.8	10	12	12	14	½"	14
7	208	1	32.5	32.5	6.4	45	12	12	8	½"	4
	208	3	18.7	18.7	12.4	25	12	12	10	½"	10(NT)
	240	1	33.2	33.2	7.2	45	12	12	8	½"	4
	240	3	19.2	19.2	14.4	25	12	12	10	½"	10(NT)
	380	3	10.0	10.0	41.3	15	12	12	12	½"	10(WT)
	480	3	8.4	8.4	65.8	15	12	12	14	½"	10(WT)
	600	3	6.8	6.8	102.0	10	12	12	14	½"	14
9	208	1	43.3	43.3	4.8	55	10	12	6	¾"	4
	208	3	25.0	25.0	9.6	35	10	12	8	½"	10(NT)
	240	1	37.5	37.5	6.4	50	10	12	8	½"	4
	240	3	21.7	21.7	12.8	30	10	12	10	½"	10(NT)
	380	3	14.3	14.3	32.1	20	12	12	12	½"	10(WT)
	480	3	10.8	10.8	51.2	15	12	12	14	½"	10(WT)
	600	3	9.1	9.1	76.5	15	12	12	14	½"	14
10.5	208	1	48.8	48.8	4.3	65	8	10	6	¾"	4
	208	3	29.1	29.1	8.2	40	12	12	8	½"	10(NT)
	240	1	43.8	43.8	5.5	55	10	12	6	¾"	4
	240	3	25.3	25.3	11.0	35	12	12	8	½"	10(NT)
	380	3	17.1	17.1	27.5	25	12	12	10	½"	10(WT)
	480	3	12.6	12.6	43.9	20	12	12	12	½"	10(WT)
	600	3	10.2	10.2	68.1	15	12	12	14	½"	14
12	208	1	57.7	57.7	3.6	75	8	10	4	1"	4
	208	3	33.3	33.3	7.2	45	12	12	8	½"	10(NT)
	240	1	50.0	50.0	4.8	65	8	10	6	¾"	4
	240	3	28.9	28.9	9.6	40	12	12	8	½"	10(NT)
	380	3	18.6	18.6	24.1	25	12	12	10	½"	10(WT)
	480	3	14.4	14.4	38.4	20	12	12	12	½"	10(WT)
	600	3	11.3	11.3	61.2	15	12	12	14	½"	14
13.5	208	1	64.9	64.9	3.2	85	8	10	4	1"	4
	208	3	37.5	37.5	6.4	50	10	12	8	½"	10(NT)
	240	1	56.3	56.3	4.3	75	8	10	4	1"	4
	240	3	32.5	32.5	8.5	45	12	12	8	½"	10(NT)
	380	3	21.4	21.4	21.4	30	12	12	10	½"	10(WT)
	480	3	16.2	16.2	34.1	25	12	12	12	½"	10(WT)
	600	3	12.0	12.0	57.7	20	12	12	12	½"	14

V6 and V16 Wiring Chart (cont.)

kW	Volt	Ph	Unit Amp Draw	Branch Amp Draw	Phase-Phase Resistance (Ohms)	Min. Feed Breaker or Fuse Size	Internal Power Wire Size	Element Jumper Wire Size	Copper Power Feed Wire Size	Conduit Size	Diagram
15	208	1	72.1	72.1	2.9	95	6	8	3	1"	4 (DB)
	208	3	41.6	41.6	5.8	55	10	12	6	¾"	10(NT)
	240	1	62.5	62.5	3.8	80	8	10	4	1"	4
	240	3	36.1	36.1	7.7	50	10	12	8	½"	10(NT)
	380	3	22.9	22.9	19.3	30	12	12	8	½"	10(WT)
	480	3	18.0	18.0	30.7	25	12	12	10	½"	10(WT)
	600	3	16.0	16.0	43.3	20	12	12	12	½"	14
18	208	1	86.5	86.5	2.4	110	6	8	2	1"	4 (DB)
	208	3	50.0	50.0	4.8	65	8	10	6	¾"	10(NT)
	240	1	75.0	75.0	3.2	95	6	8	3	1"	4 (DB)
	240	3	43.3	43.3	6.4	55	10	12	6	¾"	10(NT)
	380	3	27.9	27.9	16.0	35	12	12	8	½"	10(WT)
	480	3	21.7	21.7	25.6	30	12	12	10	½"	10(WT)
	600	3	18.1	18.1	38.3	25	12	12	12	½"	14
24	208	1	115.4	38.5	1.8	145	10	12	1/0	1½"	3A
	208	3	66.6	66.6	3.6	85	8	10	4	1"	13(NT)
	240	1	100.0	33.3	2.4	130	12	12	1	1¼"	3A
	240	3	57.7	57.7	4.8	75	8	10	4	1"	13(NT)
	380	3	37.1	37.1	12.0	50	10	12	6	¾"	13(WT)
	480	3	28.9	28.9	19.2	40	12	12	8	½"	13(WT)
	600	3	22.6	22.6	30.6	30	12	12	10	½"	15
27	208	1	130.0	43.3	1.6	165	10	12	2/0	1½"	6A
	208	3	74.9	37.5	3.2	95	10	12	3	1"	12(NCB)
	240	1	112.5	37.5	2.1	145	10	12	1/0	1¼"	3A
	240	3	65.0	65.0	4.3	85	8	10	4	1"	13(NT)
	380	3	42.9	42.9	10.7	55	10	12	6	¾"	13(WT)
	480	3	32.5	32.5	17.1	45	12	12	8	½"	13(WT)
	600	3	24.0	24.0	28.8	30	12	12	8	½"	15
30	208	1	144.2	48.1	1.4	185	8	10	3/0	1½"	6A
	208	3	83.3	41.6	2.9	105	10	12	2	1"	12(NCB)
	240	1	125.0	41.7	1.9	160	10	12	2/0	1½"	6A
	240	3	72.2	36.1	3.8	95	10	12	3	1"	12(NCB)
	380	3	45.7	45.7	9.6	60	10	12	4	1"	13(WT)
	480	3	36.1	36.1	15.4	50	10	12	8	½"	13(WT)
	600	3	33.2	33.2	21.7	45	12	12	8	½"	15
36	208	1	173.1	57.7	1.2	220	8	10	4/0	2"	6A
	208	3	99.9	50.0	2.4	125	8	10	1	1¼"	12(NCB)
	240	1	150.0	50.0	1.6	190	8	10	3/0	1½"	6A
	240	3	86.6	43.3	3.2	110	10	12	2	1"	12(NCB)
	380	3	55.7	55.7	8.0	70	8	10	3	1"	13(WT)
	480	3	43.3	43.3	12.8	55	10	12	6	¾"	13(WT)
	600	3	36.2	36.2	19.1	50	10	12	8	½"	15
39	208	1	187.5	62.5	1.1	235	8	10	250	2"	6A
	208	3	108.3	54.1	2.2	140	8	10	1/0	1¼"	12(NCB)
	240	1	162.5	54.2	1.5	205	8	10	4/0	1½"	6A
	240	3	93.8	46.9	3.0	120	10	12	1	1"	12(NCB)
	380	3	60.8	60.8	7.4	80	8	10	3	1"	13(WT)
	480	3	46.9	46.9	11.8	60	8	10	6	¾"	13(WT)
	600	3	36.2	36.2	19.1	50	10	12	8	¾"	15

V6 and V16 Wiring Chart (cont.)

kW	Volt	Ph	Unit Amp Draw	Branch Amp Draw	Phase-Phase Resistance (Ohms)	Min. Feed Breaker or Fuse Size	Internal Power Wire Size	Element Jumper Wire Size	Copper Power Feed Wire Size	Conduit Size	Diagram
40.5	208	1	196.8	65.6	1.1	250	8	10	250	2"	6A
	208	3	113.8	56.9	2.1	145	8	10	1/0	1¼"	12(NCB)
	240	1	168.8	56.3	1.4	215	8	10	250	1½"	6A
	240	3	97.4	48.7	2.8	125	10	12	1	1"	12(NCB)
	380	3	60.8	60.8	7.1	80	8	10	3	1"	13(WT)
	480	3	48.7	48.7	11.4	65	8	10	4	¾"	13(WT)
	600	3	36.2	36.2	19.1	50	10	12	8	¾"	15
45	208	3	119.1	59.5	1.9	150	8	10	2/0	1¼"	12(NCB)
	240	1	187.5	62.5	1.3	235	8	10	250	2"	6A
	240	3	108.3	54.1	2.6	140	8	10	1/0	1¼"	12(NCB)
	380	3	68.6	34.3	6.4	90	12	12	2	1"	12(WT)
	480	3	54.1	54.1	10.2	70	8	10	4	¾"	13(WT)
	600	3	42.2	42.2	16.4	55	10	12	6	¾"	15
	54	208	3	149.9	74.9	1.6	190	6	8	3/0	1½"
240		3	129.9	65.0	2.1	165	8	10	2/0	1½"	12
380		3	80.0	40.0	5.3	100	10	12	1	1"	12(WT)
480		3	65.0	65.0	8.5	85	8	10	4	1"	13(WT)
600		3	54.3	54.3	12.8	70	8	10	4	1"	15
58.5	208	3	159.9	79.9	1.5	200	6	8	4/0	1½"	12
	240	3	140.7	70.4	2.0	180	6	8	2/0	1½"	12
	380	3	91.4	45.7	4.9	115	10	12	1	1"	12(WT)
	480	3	70.4	35.2	7.9	90	12	12	3	1"	12(WT)
	600	3	54.3	54.3	12.3	70	8	10	4	1"	15
64	208	3	178.6	59.5	1.4	225	8	10	4/0	1½"	17
66	600	3	63.4	63.4	10.9	80	8	10	4	¾"	18
68	240	3	162.4	54.1	1.7	205	8	10	4/0	1½"	17
	380	3	102.8	34.3	4.2	130	12	12	1/0	1¼"	16(WT)
	480	3	81.2	27.1	6.8	105	12	12	2	1"	16(WT)
79	380	3	120.0	40.0	3.7	150	10	12	2/0	1¼"	16(WT)
81	208	3	224.8	74.9	1.1	285	6	8	300	2"	17
	240	3	194.9	65.0	1.4	245	8	10	250	2"	17
	480	3	105.5	35.2	5.7	135	12	12	1	1"	16(WT)
85	600	3	81.5	81.5	8.5	105	6	8	2	1"	18
86	208	3	239.8	79.9	1.0	300	6	8	350	2"	17
88	240	3	211.1	70.4	1.3	265	6	8	300	2"	17
	480	3	105.5	35.2	5.2	135	12	12	1/0	1¼"	16(WT)
90	380	3	137.1	45.7	3.2	175	10	12	2/0	1½"	16(CBWT)

V6 and V16 Wiring Chart Notes:

1. Power feed wire sizing is based on using 75°C Cu THHN wire with feeder branch protection rated at 125%.
2. Internal wire sizing is based on using 200°C SEW-2 or PTFE wiring in a raceway with an ambient temperature up to 60°C.
3. For information on 277V, 415V, or 440V models reference the supplied drawing or contact the factory.
4. Normal phase-to-phase resistance tolerance is ±5%.
5. 380, 480, and 600-volt phase-to-phase resistance values are shown with the transformer disconnected.
6. For 575V models, multiply the kW rating of the 600V model by a de-rating factor of 0.92 to get the actual rating for 575V.

V3 Wiring Chart

kW	Volt	Ph	Unit Amp Draw	Phase-Phase Resistance (Ohms)	Min. Feed Breaker or Fuse Size	Internal Power Wire Size	Element Jumper Wire Size	Copper Power Feed Wire Size	Conduit Size	Diagram
2.9	120	1	23.8	5.0	30	12	12	10	½"	4
5.7	120	1	47.5	2.5	60	10	12	6	¾"	4
9.9	208	1	47.6	4.4	60	10	12	6	¾"	4
	208	3	27.5	8.7	35	12	12	8	½"	10 (NT)
10.4	208	1	51.9	4.2	65	10	12	6	¾"	4
	208	3	28.8	8.3	40	12	12	8	½"	10 (NT)
11.4	240	1	47.5	5.1	60	10	12	6	¾"	4
	240	3	27.4	10.1	35	12	12	8	½"	10 (NT)
	277	1	41.2	6.7	55	10	12	6	¾"	4 (WT)
	380	3	16.8	25.3	25	12	12	12	½"	14
	415	3	15.9	30.2	20	12	12	12	½"	14
	480	3	13.7	40.4	20	12	12	14	½"	14
600	3	11.0	63.2	15	12	12	14	½"	14	

V3 Wiring Chart Notes:

1. Power feed wire sizing is based on using 75°C Cu THHN wire with feeder branch protection rated at 125%.
2. Internal wire sizing is based on using 200°C SEW-2 or PTFE wiring in a raceway with an ambient temperature up to 60°C.
3. Normal phase-to-phase resistance tolerance is ±5%.
4. 277, 380, 415, 480, and 600-volt phase-to-phase resistance values are shown with the transformer disconnected.

V4 Wiring Chart

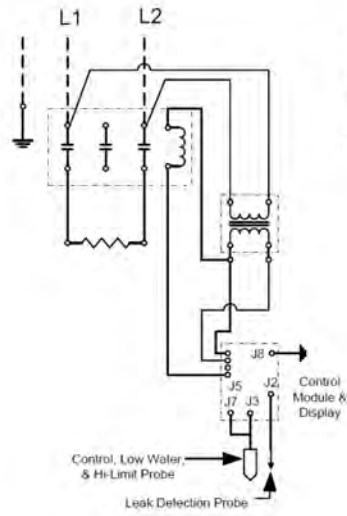
kW	Volt	Ph	Unit Amp Draw	Phase-Phase Resistance (Ohms)	Min. Feed Breaker or Fuse Size	Internal Power Wire Size	Element Jumper Wire Size	Copper Power Feed Wire Size	Conduit Size	Diagram
11.3	208	1	54.1	3.8	70	8	8	4	1"	4
	208	3	31.2	7.7	40	8	8	8	½"	10 (NT)
12.6	220	1	57.3	3.8	75	8	8	4	1"	4
	220	3	33.1	7.7	45	8	8	8	½"	10 (NT)
13.8	230	1	59.8	3.8	75	8	8	4	1"	4
	230	3	34.5	7.7	45	8	8	8	½"	10 (NT)
15	240	1	62.5	3.8	80	8	8	4	1"	4
	240	3	36.1	7.7	50	8	8	8	½"	10 (NT)
	480	3	18.0	30.7	25	12	12	10	½"	10 (WT)
27	208	3	75.0	3.2	95	6	8	3	1"	10 (NT)
	240	3	65.0	4.3	85	8	10	4	1"	10 (NT)
	480	3	32.5	17.1	45	12	12	8	½"	10 (WT)

V4 Wiring Chart Notes:

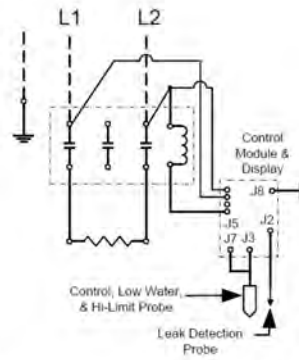
1. Power feed wire sizing is based on using 75°C Cu THHN wire with feeder branch protection rated at 125%.
2. Internal wire sizing is based on using 200°C SEW-2 or PTFE wiring in a raceway with an ambient temperature up to 60°C.
3. Normal phase-to-phase resistance tolerance is ±5%.
4. 480-volt phase-to-phase resistance values are shown with the transformer disconnected.

WIRING DIAGRAMS

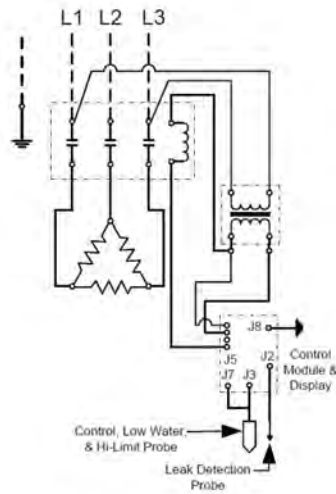
1(WT)



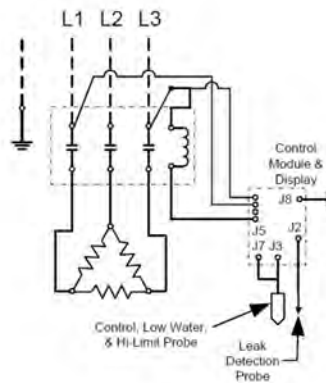
1(NT)



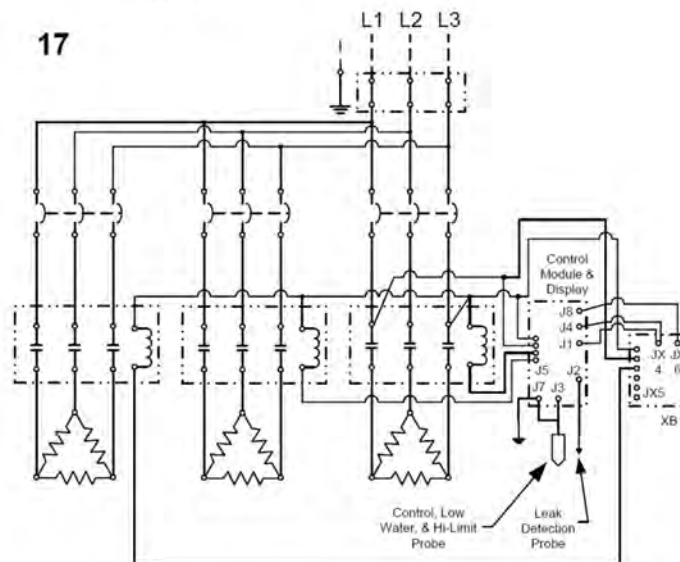
10(WT)

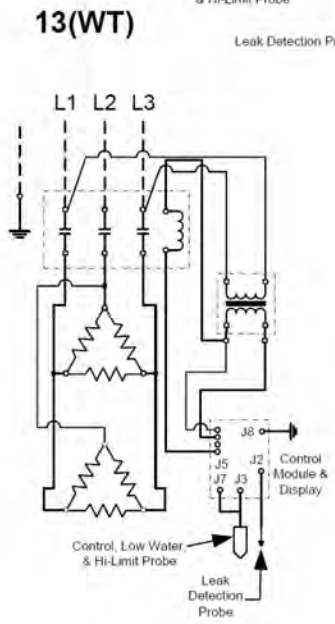
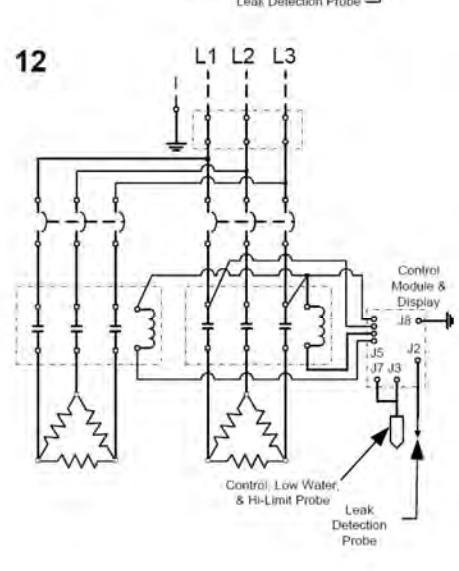
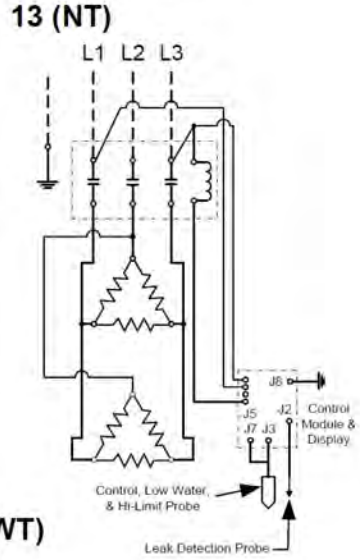
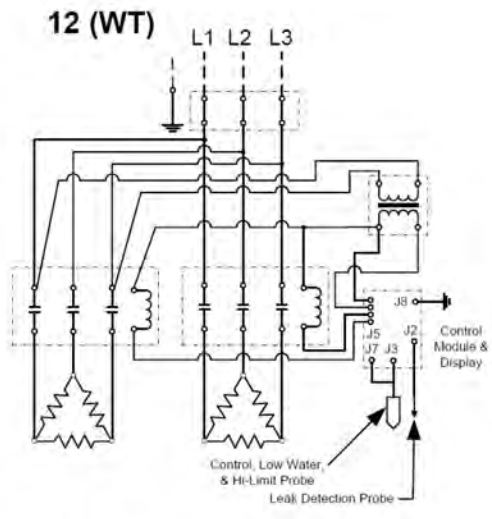
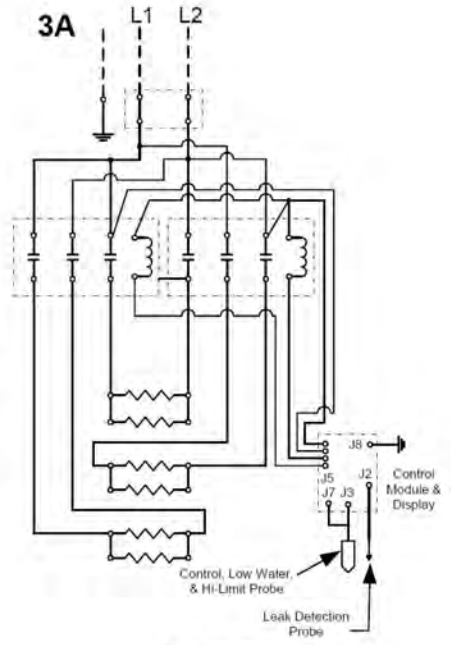
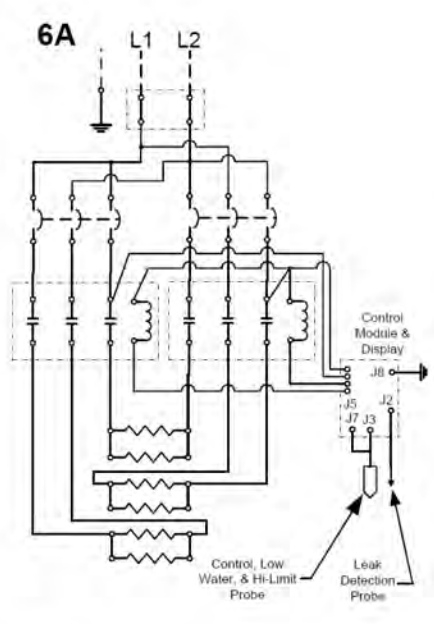


10(NT)

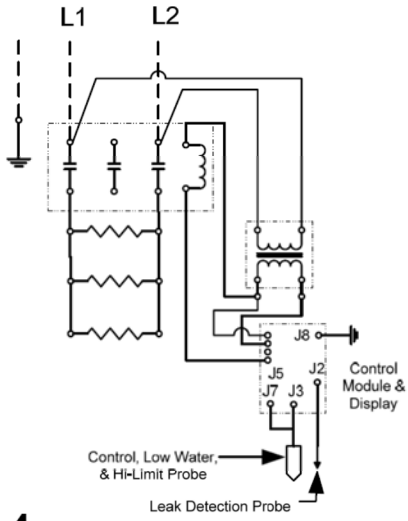


17

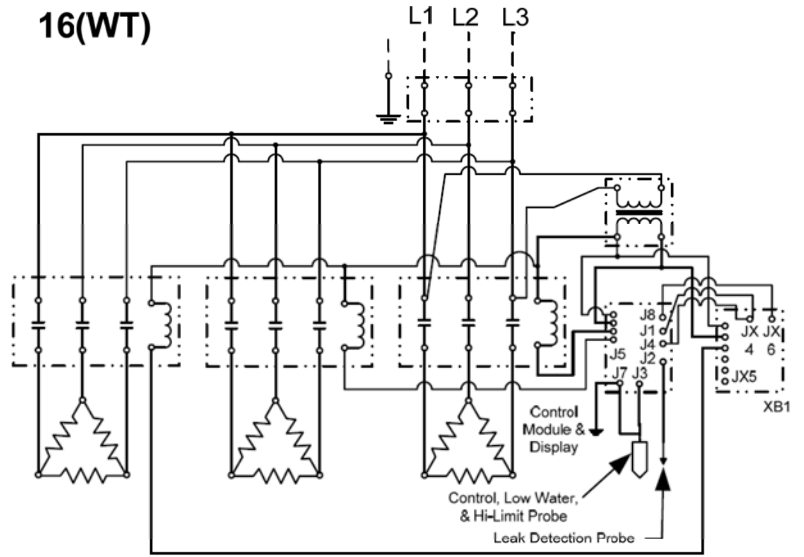




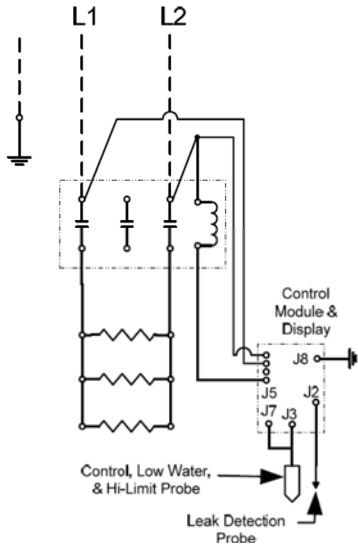
4(WT)



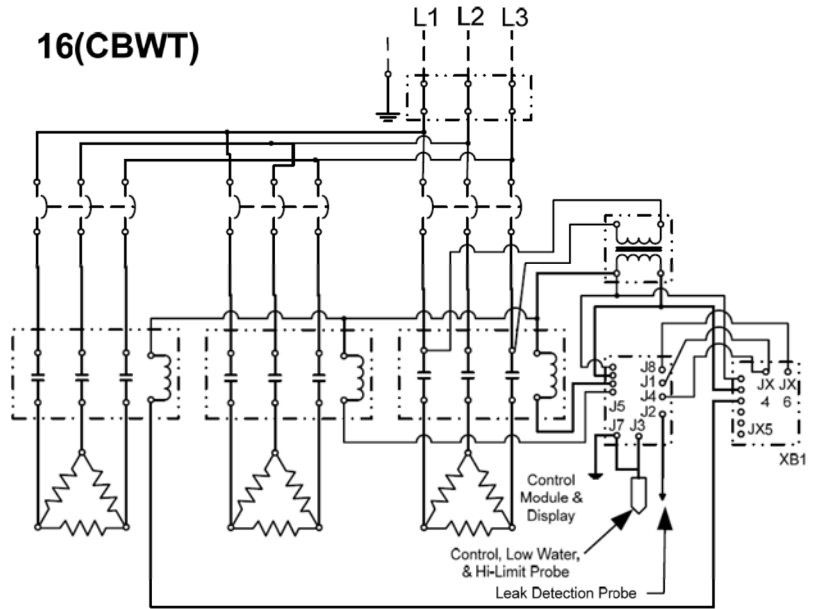
16(WT)



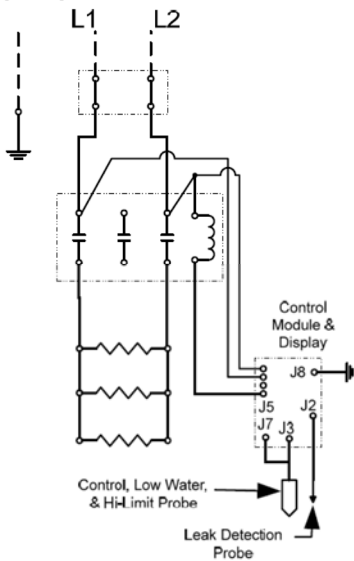
4



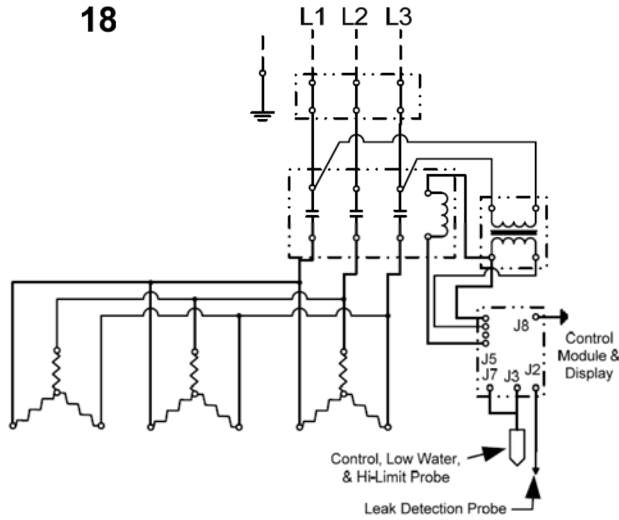
16(CBWT)

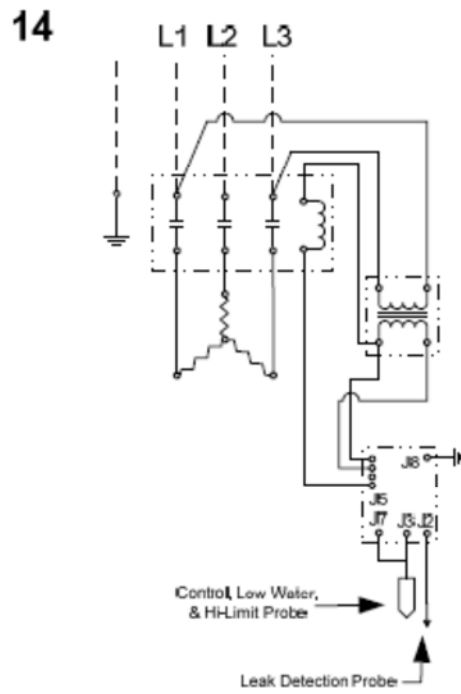
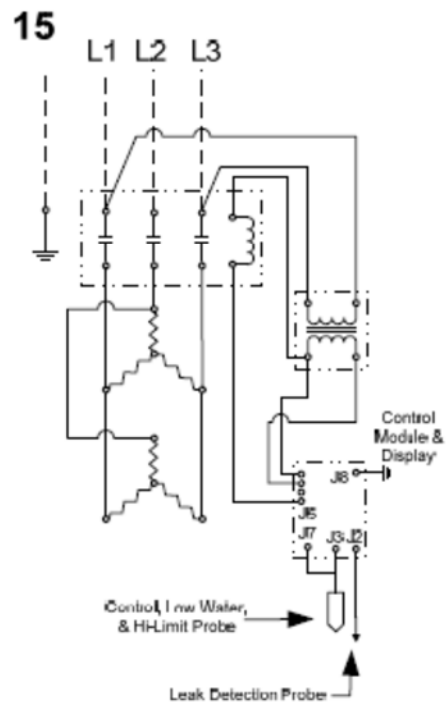
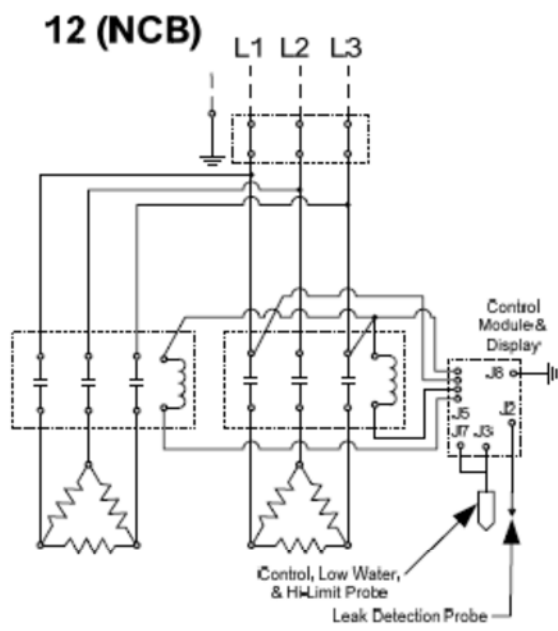


4 (DB)



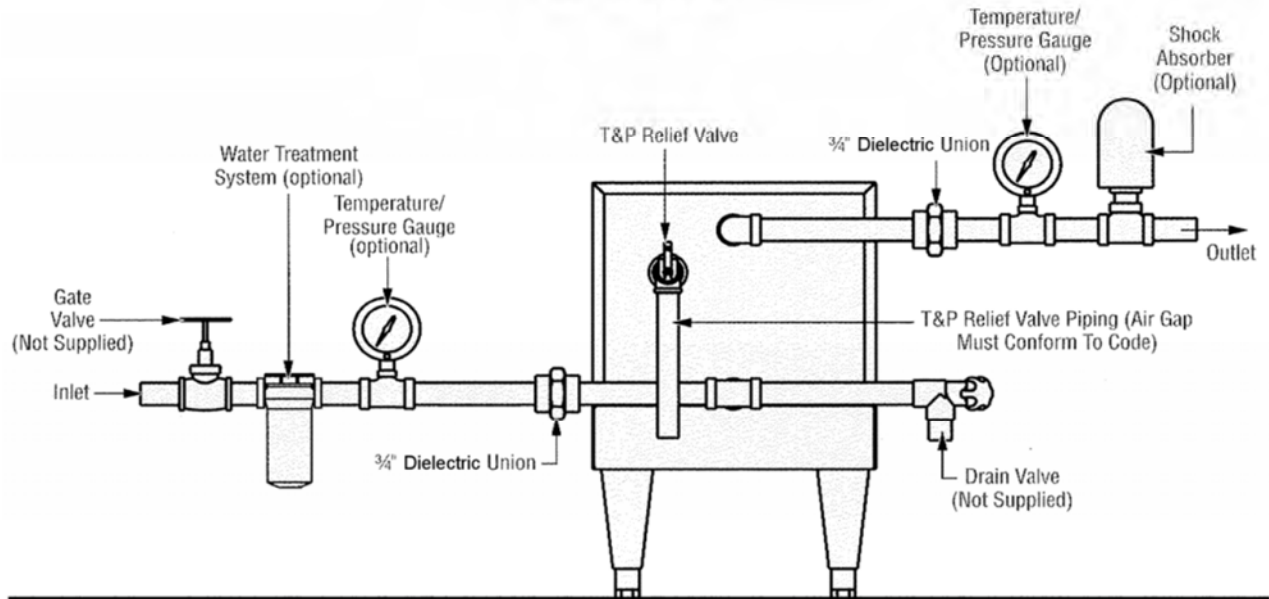
18



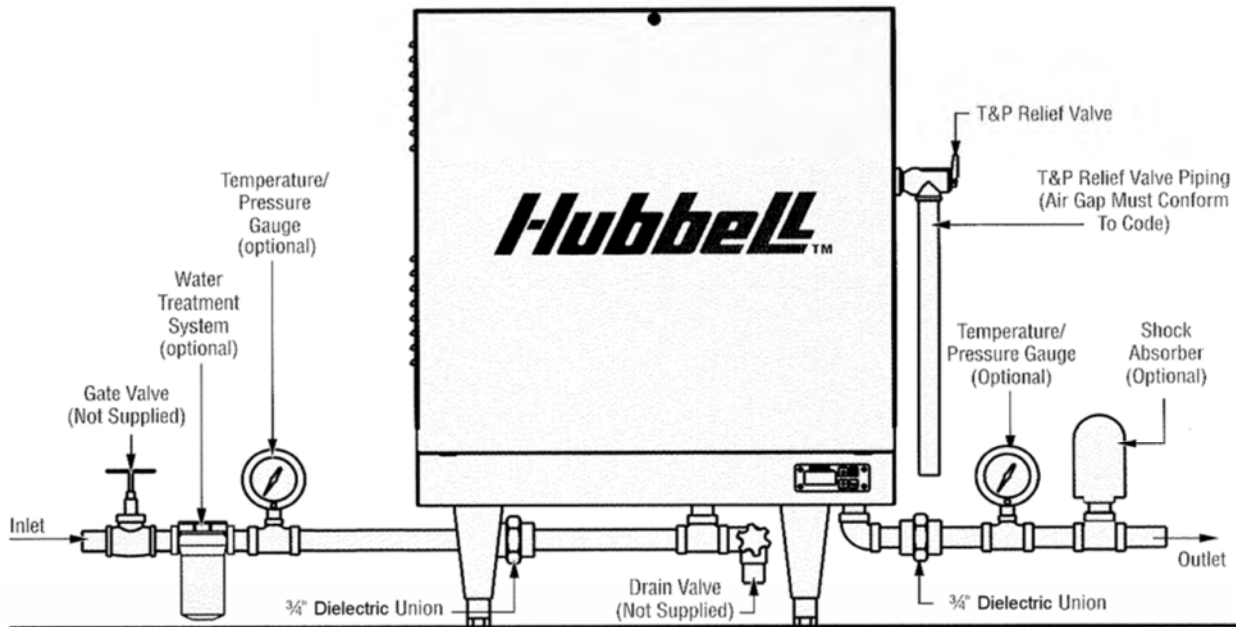


PLUMBING CONNECTIONS

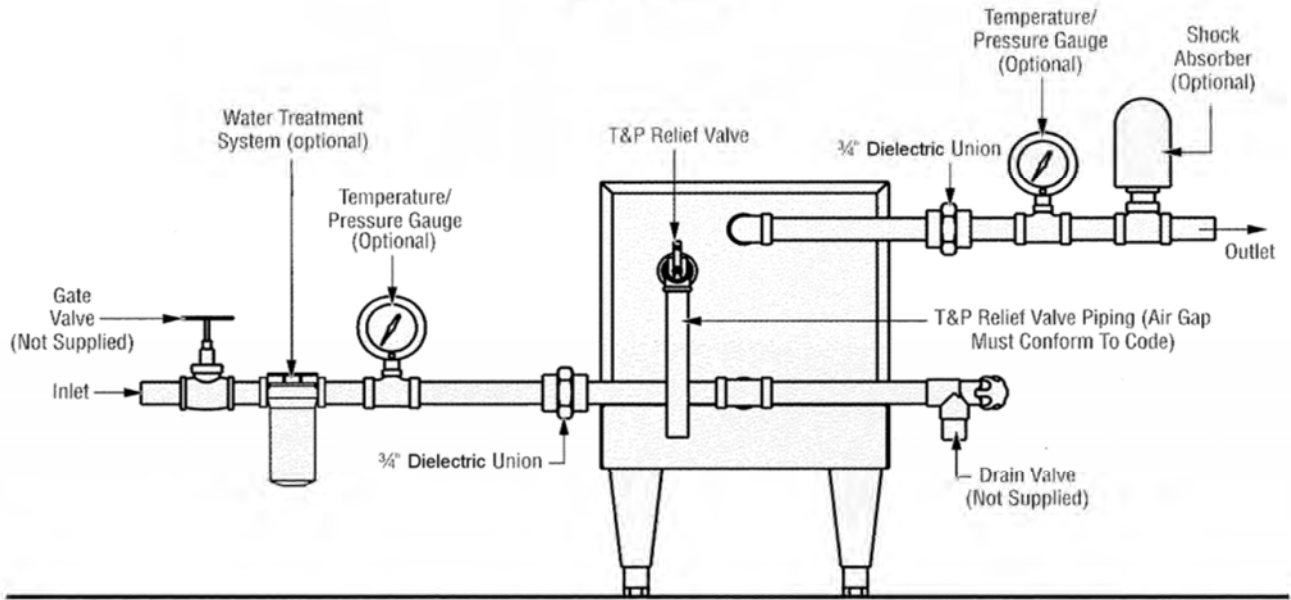
Typical V6 Plumbing Connections
(Rear View)



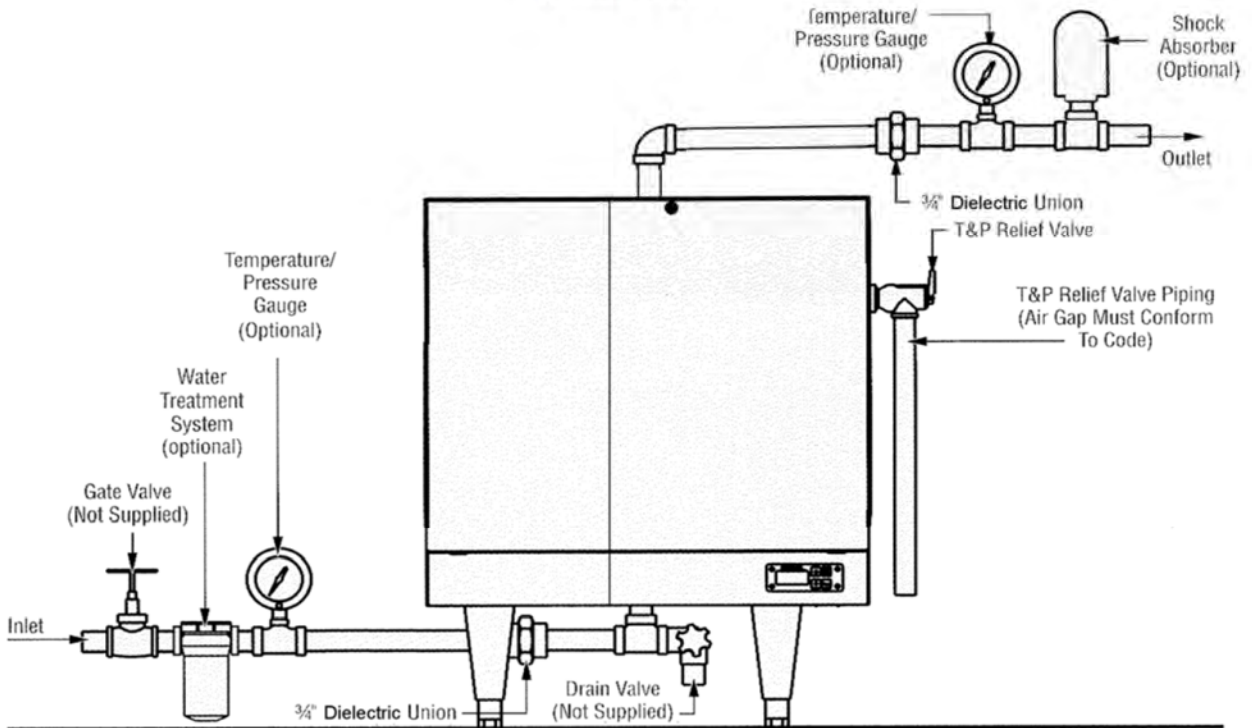
Typical V16 Plumbing Connections
(Front View)



Typical V4 Plumbing Connections (Rear View)



Typical V3 Plumbing Connections (Front View)



SECTION III – SCHEDULED MAINTENANCE

WARNING / CAUTION

Before performing any maintenance procedure, make certain the power supply is turned **OFF** and cannot accidentally be turned on.

MAINTENANCE AND OPERATION

The water heater is automatic in its operation. It will maintain a full tank of water at the temperature setting of the controller. The water heater should not be turned on without first making sure that the tank is full of water and that all air has been released.

FREEZING

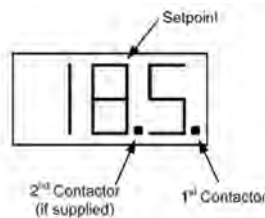
The tank should be fully drained in the event the electricity has been turned off and if there is danger of freezing.

CONTROLLER OPERATION

NOTE: All controller variables come preset from the factory to include a preset temperature of 185°F.

1. To turn unit on or off:
 - a. Press the ON/OFF button on the display module.
 - b. Note that the controller will resume its last mode of operation if power is disconnected.
2. To change setpoint temperature (the temperature is fully adjustable from 32° to 194°F (0°-90°C):
 - a. Press the UP and DOWN arrows simultaneously to enter setpoint change mode.
 - b. Press the UP or DOWN button to change the setpoint temperature.
 - c. Pressing and holding the UP or DOWN button will scroll through the setpoint temperature.
 - d. To leave setpoint change mode:
 - i. Wait 5 seconds without pushing any buttons or press the UP and DOWN buttons simultaneously.
3. To view the number of operational hours (the number of hours when a contactor is pulled in) and software version:
 - a. Press the UP and DOWN arrows simultaneously to enter setpoint change mode.
 - b. Press the ON/OFF button.
 - c. Display will flash the software version (e.g. R14), HRS, followed by the hours in thousands of hours, followed by the hours.
 - i. Example: r 14, H r S, l2 3, 4 5 6; indicates software version R1.4 and 123,456 hours.
 - d. To leave operational hours mode:
 - i. Wait 5 seconds without pushing any buttons or press the UP and DOWN buttons simultaneously.
4. Configuration Menu. (NOTE: Configuration menu change should only be made by qualified personnel).
 - a. With the controller turned OFF, to enter the configuration menu, press and hold the UP, DOWN, and ON/OFF buttons simultaneously for 5 seconds.
 - b. To scroll through menu settings, press the ON/OFF button.
 - c. To make a change to a menu setting use either the UP or DOWN arrow.
 - d. Settings:
 - i. Relays – sets the number of magnetic contactors used in the heater.

1. r ##, where ## is the number of magnetic contactors (01 or 02). With XB1 installed ## can be 01 through 06.
 - ii. Low water detection – sets the low water detection on or off.
 1. L O n , for low water on. (Factory Default)
 2. L O F , for low water off.
 - iii. Low water reset – sets the low water reset for either automatic or manual.
 1. L A U , for low water automatic reset. (Factory Default)
 2. L A n , for low water manual reset.
 - iv. Temperature units – sets the temperature units to either degrees Fahrenheit or Celsius.
 1. D E F , for degrees Fahrenheit. (Factory Default)
 2. D E C , for degrees Celsius.
 - v. Differential – sets the number of degrees below setpoint that the heater will resume heating after it has achieved setpoint.
 1. d ##, where ## is the differential in degrees (1 to 20). (Factory set at 02)
 - vi. Display – sets the display to either setpoint or actual temperature.
 1. d S S , for display setpoint temperature. (Factory Default)
 2. d S t , for display actual temperature.
 - vii. Heater Interlock – sets the heater interlock mode to on or off. (Only available with r23 or later software).
 1. H o F , to disable the 24-volt interlock feature. (Factory Default)
 2. H o n , to enable the 24-volt interlock feature.
 - viii. XB1 Temperature Setpoint – sets the setpoint for the operation of the XB1 relay operation.
- e. To leave the configuration menu, wait 5 seconds without pushing any buttons or press the UP and DOWN buttons simultaneously.
5. To reset any high limit, no probe, or low water (when in manual reset mode) fault condition, press the RESET button.
6. Display:
- a. By default the display will show the setpoint of the heater.
 - b. The decimal points on the display, as shown below, indicate that the controller is calling for a contactor to pull in. If three or more contactors are installed, the third decimal is used for all remaining contactors.



ANNUAL INSPECTION

1. Monitor water temperature
 - a. Let water heater completely heat to a designated temperature setting.
 - b. After controller satisfies (that is, when the magnetic contactor actually clicks off), draw water from as close as possible to the heater outlet and measure the temperature.
 - c. Compare the water temperature of outlet water to the temperature setting of the display when it satisfies. Normal variation between the two points is approximately + 5°F.
 - d. If these two readings do not coincide within acceptable tolerances and verification has been made of the accuracy of the temperature-reading gauge, replace the control board and/or the sensor probe.

2. Lift test lever on relief valve and let water run through valve for a period of approximately 10 seconds. This will help flush away any sediment that might build up in water passageways.
3. Inspect element for leakage as follows:
 - a. Shut off power supply.
 - b. Remove front cover.
 - c. Visually inspect around heating element for evidence of leaks.
 - d. Rub around the heating element with a rag. Check for any evidence of moisture. If moisture is present or a water drip is observed, follow procedure outlined in Section V.

CAUTION: The area around the heating element may be hot.

4. Scale and mineral build-up on heating elements is a normal condition. It is recommended that the heating element be removed for examination and if scaled, should be cleaned. In an area of known hard or poor water conditions, the elements may need to be checked more frequently. This will improve the efficiency of the heater and increase the element life.

NOTE: Failure of the elements due to scale and mineral build-up is not covered under warranty. See warranty for complete details.

- a. Shut off power supply.
 - b. Drain the tank.
 - c. Remove front cover.
 - d. Disconnect the element wiring. It is recommended that one element at a time is removed to simplify re-wiring.
 - e. Unscrew element.
 - f. Lime scale removal:
 - i. Place limed ends of the heating element in a de-limer solution, designed for potable water applications, and allow lime to dissolve. Do not allow de-limer to contact heating element terminals.
 - g. Other scale removal:
 - i. Silicates, sulfates, and aluminates must be removed by scraping or other mechanical means. De-limers will not dissolve these types of scale.
 - h. Flush the cleaned ends of the elements with clean water.
 - i. Re-install element with new O-ring.
 - j. Re-attach element wires.
 - k. Continue until all heating elements are cleaned.
 - l. Fill the heater following the filling instructions provided in Section II and check around the elements for leaks.
 - m. Re-apply power.
5. Check for loose electrical connections. Tighten as necessary.

SECTION IV – TROUBLESHOOTING

ERROR MESSAGES

1. Err, No, Prb

- a. This message will flash when the controller does not detect that the probe is connected to the control board. To clear this error reinsert the probe connector and press RESET.

2. Err, too, hot, ### (where ### is the actual temperature of the water.)

- a. This message will display if the temperature of the water exceeds the high limit temperature setpoint. To clear this error, wait until the temperature is below the operating setpoint and press RESET. Note that the unit will not reset until the indicated temperature is below 195°F. If this message continually occurs, follow the troubleshooting flow chart for continuous over-temperature condition.

3. Err, No, H2O

- a. This message will display when the water level in the tank has dropped below the sensor probe. To clear this message, refill the tank. If the low water reset is set for automatic, the error will clear. If the low water reset is set for manual, when the tank is full press RESET. Check the heater and the piping for leaks. Check for mineral buildup on the probe and clean as required.

4. Err, H2O, LEA

- a. This message displays if the leak detection sensor determines there is water in the base of the heater shell. To clear this message, remove the water from the leak detection sensor. Check the unit and piping for leaks.

5. CC

- a. This message displays if the display cable is installed into the control board backwards. To clear this message, remove and correctly install the display cable.

6. 255

- a. This message indicates that the probe is likely out of calibration. To clear this message, it is recommended that the probe be removed and replaced.

7. H L d

- a. This message indicates that the 24-volt interlock feature is enabled, there is no 24-volt signal present, and the heater is in standby mode. If it is not the intention to operate the heater with the 24-volt interlock feature, this feature should be disabled as shown in the controller operation section. (Only available with r23 or later software).

CONTACTOR CARE

1. A chattering or humming from the contactor is due to dust or debris on the contact points that prevents the contactor from making proper contact. The debris can be removed by utilizing a can of antistatic cleaning and dusting spray (pressurized air) and spraying through the side of the contactor to remove the debris.

DISPLAY BUTTONS

1. If the display randomly changes or does not respond when the buttons are pressed, loosen the four (4) screws holding the display to the base, reseat the display in the center of the opening, and re-tighten the screws.

MISCELLANEOUS

1. If the display flashes when the unit is first turned on or turned on after maintenance, check that the J5 terminal on the controller is engaging all four pins on the board.

*Note that before replacing the control board, display, or probe, it is recommended that the power supply to the heater be turned off at the main circuit breaker disconnect to the heater to reset and clear the electronic controller.

CAUTION: Do not use plumber’s tape/Teflon tape/pipe dope when installing the probe. Tape will prevent the low water detection system from operating properly and will cause false low water errors. Lubricate O-ring prior to installation.

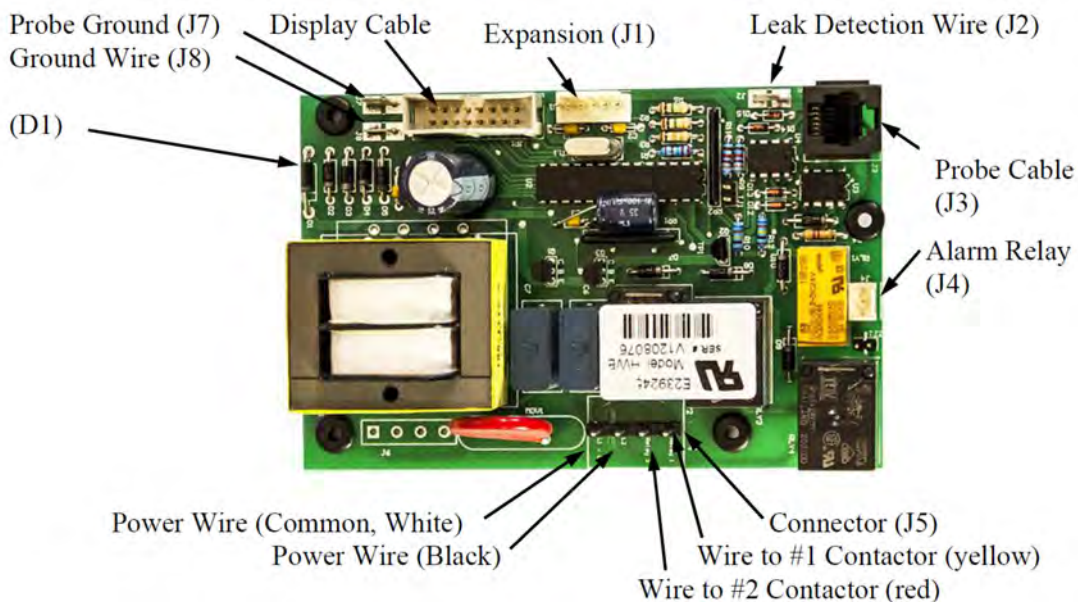
GENERAL TROUBLESHOOTING

Symptom	Probable Cause	Corrective Action
Water reaches setpoint temperature but does not last through the entire process cycle.	Low incoming water temperature.	Incoming water temperature must be adequate for the heater size. Increase the incoming water temperature.
	Incoming water temperature is dropping	Primary water supply is not adequate to continually provide correct temperature in sufficient quantities. Increase the supply of primary cold water.
	Heater may be undersized.	The heater must be properly sized for the incoming water and rinse requirements of the process. If required, replace with a properly sized unit.
	Incorrect voltage.	Voltage available at the heater must be correct for unit. Verify voltage on all phases matches nameplate on the heater.
	If two magnetic contactors are utilized, one is not energizing.	Verify that both magnetic contactors are operating. If not, see the ‘Magnetic Contactor Troubleshooting’ section.
	One or more elements are not energizing.	Verify that each element is drawing the correct amperage. Replace elements as required.
Water at the outlet is not the proper temperature.	Gauge(s) not reading correctly.	Check the temperature of the water with a thermometer to verify the gauges are working properly. Replace gauges, if required.
	Temperature setpoint too low.	Adjust the temperature setpoint.
	Water heater piping to point of use is not insulated.	If there is more than 5 linear feet of piping between the heater and the process, the piping should be wrapped in insulation or a recirculating system should be installed.
	Bypass valve (if installed) is open or allowing water to pass when closed.	Verify that the bypass valve between the hot and cold water lines is closed. If condition continues, replace the bypass valve.
Temperature and pressure relief valve seeps	Anti-siphon valve or check valve installed in the cold/warm water inlet line	Remove the anti-siphon valve or the check valve to allow for the expansion of the water or install a back pressure relief valve.
Temperature and pressure relief valve opens and/or high limit temperature error occurs.	Unit is overheating due to improper P65 probe calibration.	See the ‘P65 Probe Troubleshooting’ section.
	Unit is overheating due to the magnetic contactor staying in the closed position.	See the ‘Magnetic Contactor Troubleshooting’ section.
Water heater does not heat at all.	Main supply circuit breaker tripped.	Check and/or reset the circuit breaker.
	Water heater circuit breaker tripped.	If unit is supplied with a circuit breaker, check and/or reset the circuit breaker.

Water heater does not heat at all. (cont.)	Heater in high-limit.	If a high-limit error occurs, allow water to cool and press the reset button. If error continues see symptom “Temperature and pressure relief valve opens and/or high limit temperature error occurs”.
	Low water error.	Verify that the heater is full of water. If error is still present see the ‘P65 Probe Troubleshooting’ section.
	Magnetic contactor does not energize.	See the ‘Magnetic Contactor Troubleshooting’ section.
	No power to control board (T1000) or display (TD1000) not lit.	Reseat the display (TD1000) ribbon cable in the control board (T1000) connector. If the display is still not lit, see the ‘Control Board (T1000) / Display (TD1000) Troubleshooting’ section.
	Element Failure	Disconnect the wires from each element and verify that the resistance (ohms) value for each element is correct. Replace elements as required.
	Incorrect Configuration Settings	Verify and correct configuration settings as required.

CONTROL BOARD (T1000) / DISPLAY (TD1000) TROUBLESHOOTING

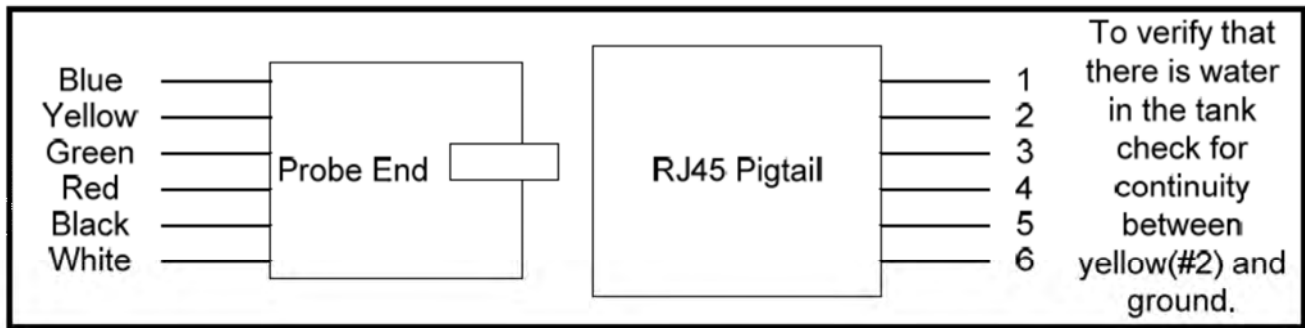
1. Verify proper power supply voltage between each phase (L1 to L2, L2 to L3, and L1 to L3). The power supply voltage should match the voltage listed on the heater nameplate. If voltage is incorrect, check main supply wiring or replace unit with proper heater.
2. Check for 208/240VAC between pin 1 (white wire) and pin 2 (black wire) of the J5 connector on the T1000 control board. If no voltage is present, skip to step 4.
3. If 240VAC is present, check for 24VDC between D1 and ground. If 24VDC is present replace the display (TD1000). If 24VDC is not present replace the control board (T1000).



4. If a transformer is installed, verify proper power supply voltage to the primary side of the transformer and verify approximately 240VAC on the secondary side of the transformer. If voltage is present on the primary side but not on the secondary side, replace the transformer.
5. If circuit breakers are installed, verify that the circuit breaker is ON. Verify proper power supply voltage between each phase (L1 to L2, L2 to L3, and L1 to L3) to the line side of each circuit breaker and to the load side of each circuit breaker. If voltage is present on the line side but not on the load side, replace the circuit breaker.
6. Verify that the heater is wired according to the proper wiring schematic for the unit. Correct as required. If unit still does not operate, contact the factory.

MAGNETIC CONTACTOR TROUBLESHOOTING

1. With the unit ON and calling for heat, check for lit decimal points on the display. If the unit has a single contactor, the first decimal to the right of the display should be lit. If two decimals are lit, verify that the configuration is set for one contactor. If the unit has two contactors, verify that two decimals are lit. If only one decimal is lit, verify that the configuration is set for two contactors. If no decimals are lit, continue to the 'P65 Probe Troubleshooting' section.
2. With the unit ON and calling for heat and one decimal lit, check for 240VAC between pin 1 (white wire) and pin 4 (yellow wire) of the J5 connector on the T1000 control board. If no voltage is present, replace the control board (T1000). If voltage is present, check for voltage across the contactor coil. If voltage is present at the contactor coil, replace the magnetic contactor. If no voltage is present, verify that the heater is wired according to the proper wiring schematic for the unit.
3. If the unit has two contactors, with the unit ON and calling for heat and two decimals lit, check for 240VAC between pin 1 (white wire) and pin 3 (red wire) of the J5 connector on the T1000 control board. If no voltage is present, replace the control board (T1000). If voltage is present, check for voltage across the contactor coil. If voltage is present at the contactor coil, replace the magnetic contactor. If no voltage is present, verify that the heater is wired according to the proper wiring schematic for the unit.



Thermistor Resistance vs. Temperature	
Water Temperature	Resistance ($\pm 3\%$)
70°F	11883Ω
80°F	9299Ω
90°F	7334Ω
100°F	5828Ω
110°F	4664Ω
120°F	3758Ω
130°F	3048Ω
140°F	2488Ω
150°F	2043Ω
160°F	1687Ω
170°F	1400Ω
180°F	1169Ω
190°F	980Ω

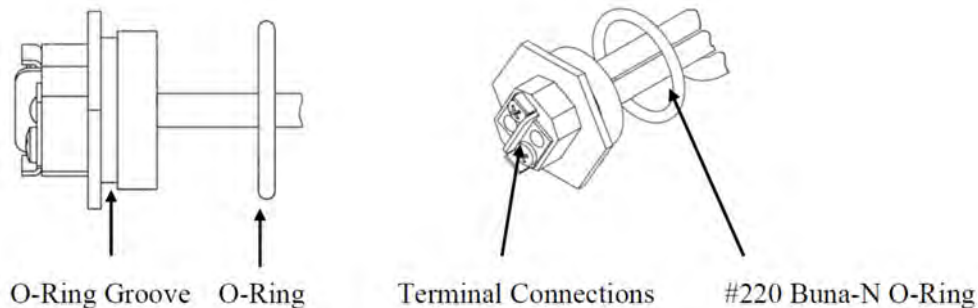
SECTION V - SERVICING & REPLACEMENT OF PARTS

WARNING / CAUTION

Before servicing or replacing any part, make sure to turn the power supply to the unit **OFF**.

HEATING ELEMENT

1. Disconnect power from unit.
2. Shut off incoming water supply.
3. Attach hose to drain connection.
4. Lift manual release lever on relief valve to let air into system or break union on outgoing water line.
5. Drain water from tank.
6. Disconnect the wires from the heating element terminals.
7. Unscrew element with a 1-7/8" 6-point socket with no bevel.

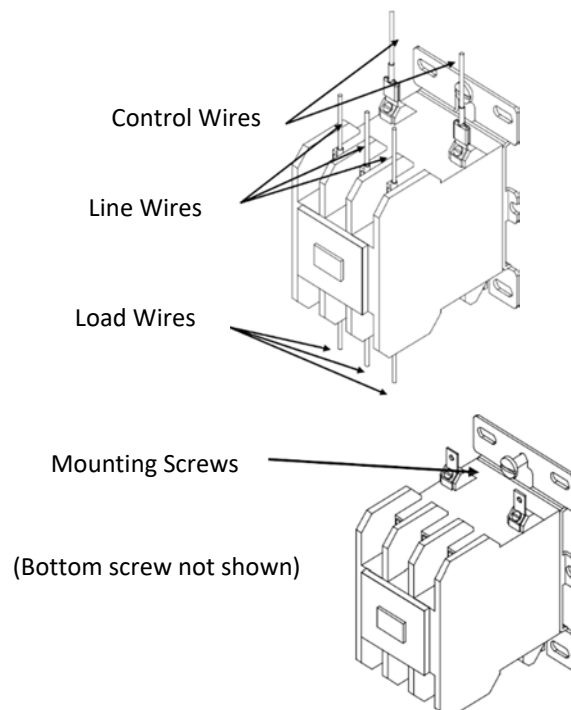


8. Install new #220 Buna-N O-ring gasket and install new heating element. NOTE: Hubbell recommends lubricating the O-ring with Parker O-Lube prior to installation.
9. Rewire element according to the wiring diagram as shown in Section II.
10. Fill the tank and check around element for any leaks.

MAGNETIC CONTACTOR

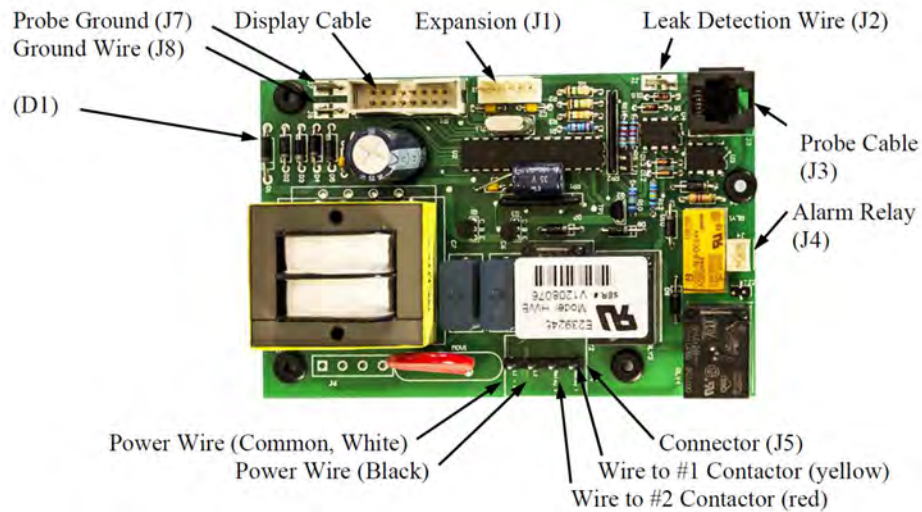
1. Disconnect power from unit.
2. Disconnect line and load wires to contactor.
3. Disconnect the control circuit wires.

4. Loosen holding screws and remove contactor.
5. Replace with new contactor using reverse procedure.



CONTROL BOARD

1. Disconnect power from unit.
2. Disconnect display cable, probe cable (J3) and probe ground (J7), leak detection wire (J2), ground wire (J8), and terminal block (J5) from the control board. NOTE: The terminal block (J5) is removable from the control board. Grasp the terminal block on the ends and pull straight away from the board.



Note: Probe connector J3 comes filled with a dielectric gel that should remain in the connector.

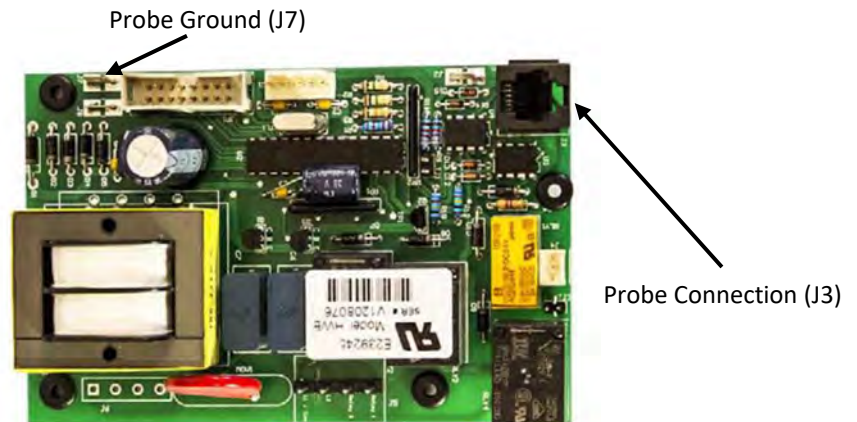
3. Remove four (4) screws securing control board to panel.
4. Remove and replace control board.
5. Reconnect wires disconnected in step 2. NOTE: When reconnecting the ribbon cable, be sure to have the key on the cable align with the slot in the connector.
6. Connect power to unit.

RELIEF VALVE

1. Disconnect power from unit.
2. Shut off incoming water supply.
3. Attach hose to drain connection.
4. Lift manual release lever on relief valve to let air into system or break union on outgoing water line.
5. Drain water from tank.
6. Disconnect overflow piping.
7. Unscrew relief valve, remove assembly, and replace with new one.
8. Connect overflow piping.
9. Turn on incoming water supply and check for leaks.
10. Connect power to unit.

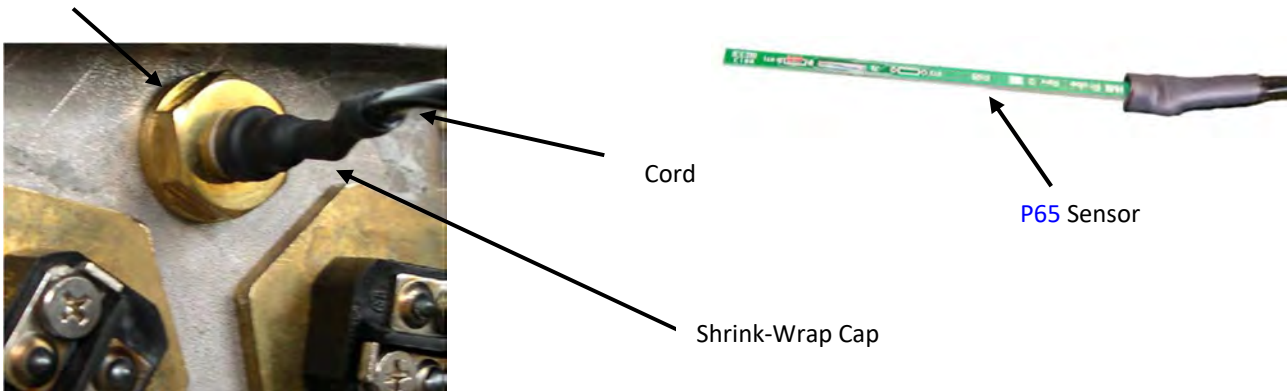
P65 SENSOR PROBE

1. Disconnect power from the unit.
2. Unplug the P65 probe connector from J3 and the probe ground from J7 on the T1000 control board.



3. Twist the cord and shrink-wrap end of the P65 probe (or cut the shrink-wrap with a sharp knife) to loosen the P65 sensor assembly from the P65 thermowell.
4. Remove the old P65 sensor assembly by pulling on the cord coming out of the P65 thermowell.

Note: It is unnecessary to unscrew the thermowell from the vessel to replace the P65 sensor.



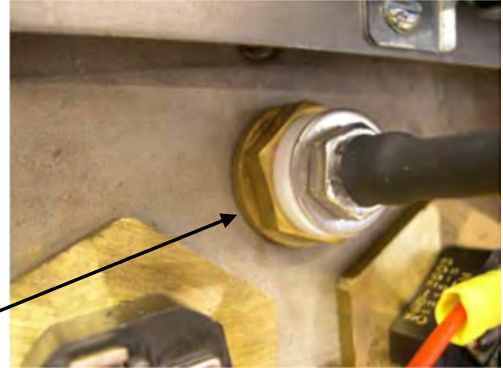
5. Insert the new P65 sensor assembly into the P65 thermowell. Be sure to insert the sensor until the shrink-wrap cap engages the threads on the end of the thermowell.

Note: The new sensor and cord assembly is push-fit onto the end of the thermowell threads. Do not twist the new sensor and cord assembly into the thermowell. The thermal conductive heat transfer paste inside the thermowell is sufficient for replacement sensors. Adding additional paste is not required.

6. Plug P65 probe connector into the T1000 control board.
7. Turn on the power to the unit. If display shows "E r r, N o, P r b", press the reset button.

P65 THERMOWELL

1. Follow steps 1-4 for removing the P65 Sensor Probe on previous page.
2. Shut off incoming water supply.
3. Attach hose to drain connection.
4. Lift manual release lever on relief valve to let air into system or break union on outgoing water line.
5. Drain water from tank.
6. Remove the thermowell from tank using a 13/16" socket.
7. Install new #115 Buna-N O-ring gasket and install new thermowell. **NOTE:** Hubbell recommends lubricating the O-ring with Parker O-Lube prior to installation. **WARNING:** Do not remove the jam nut.



Thermowell

8. Reinstall or install a replacement P65 sensor probe in accordance with steps 5 and 6 above.
9. Refill tank.
10. Check for leaks. Retighten as required.
11. Turn on the power to the unit.
12. Note that to resume operation the controller will need to be reset by pressing the 'RESET' button on the display.



CAUTION: Do not use plumber's tape/Teflon tape/pipe dope when installing the P65 Thermowell. Tape will prevent the low water detection system from operating properly and will cause false low water errors. Lubricate O-ring prior to installation. Tighten probe at the brass hex flats only.

SECTION VI – SERVICE PARTS LIST

SECTION VI – SERVICE PARTS LIST

Category	Description	Volts	Ohms	Hubbell P/N
Accessories	Plastic Legs (Price each, 4 Req'd.)			AP61-4003-C
	Nickel Plated Legs (Price each, 4 Req'd.)			AE61-4002-C
	Stainless steel adjustable legs (Price each)			A50-5048-C
	Floor Mount Legs S/S (Price each, 4 Req'd.)			A50-9939-C
	Temp. and Pressure Gauge			TTD405
	Dielectric Union, 3/4"			DIELECTRIC UNION
	Relief Valve (up to 58 kw)			100XL .75 150LB
	Relief Valve (64-90 kw)			40XL-4 1 150LB
	Slide Brackets (V6 models only, 2 per set)			J6 SLIDE BRACKET
	V6, 3 Element Plastic Protective Shroud (1 to 18 kW)			J6-3 SHROUD
	V6, 6 Element Plastic Protective Shroud (24 to 58.5 kW)			J6-6 SHROUD
	V16 Element Plastic Protective Shroud			J16 SHROUD
	Water Treatment System (blended phosphate)			HBW-CLEAR
	Replacement cartridge for water treatment			RSC-10
Circuit Breakers	60 amp			CB 60 AMP
	70 amp			CB 70 AMP
	80 amp			CB 80 AMP
	90 amp			CB 90 AMP
	100 amp			CB 100 AMP
Contactors	20 Amp Resistive, 15 Amp Inductive, 208/240 VAC Coil			C25DNF315B
	40 Amp Resistive, 30 Amp Inductive, 208/240 VAC Coil			C25DNF330B
	50 Amp Resistive, 40 Amp Inductive, 208/240 VAC Coil			C25DNF340B
	65 Amp Resistive, 50 Amp Inductive, 208/240 VAC Coil			C25DNF350B
	75 Amp Resistive, 60 Amp Inductive, 208/240 VAC Coil			C25FNF360B
90 Amp Resistive, 75 Amp Inductive, 208/240 VAC Coil			C25FNF375B	
Elements V4, V6, and V16 (Note: Each element is supplied with an O-Ring)	2000 Watts	208	21.6	C1315-2
	4000 Watts	208	10.8	C1315-3
	5000 Watts	208	8.7	C1315-4
	6000 Watts	208	7.2	C1315-5
	6500 Watts	208	6.7	C2315-6
	7150 Watts	208	6.1	C2315-7
	9000 Watts	208	4.8	N2375-9
	9600 Watts	208	4.5	N2375-10
	2000 Watts	240	28.8	C1315-11
	3000 Watts	240	19.2	C1315-12
	3500 Watts	240	16.5	C1315-13
	4000 Watts	240	14.4	C1315-14
	4500 Watts	240	12.8	C1315-15
	5000 Watts	240	11.5	C1315-16
	6000 Watts	240	9.6	C1315-17
	6500 Watts	240	8.9	C1315-18
	6750 Watts	240	8.5	C1315-34
	7500 Watts	240	7.7	C2315-19
	9000 Watts	240	6.4	N2375-20
	9750 Watts	240	5.9	N2375-21
	2000 Watts	480	115.2	C1315-22
	2333 Watts	480	98.8	C1315-23
	3000 Watts	480	76.8	C1315-24
	3500 Watts	480	65.8	C1315-25
	4000 Watts	480	57.6	C1315-26
	4500 Watts	480	51.2	C1315-27
	5000 Watts	480	46.1	C1315-28
	6000 Watts	480	38.4	C1315-29
	6500 Watts	480	35.4	C1315-30
	7500 Watts	480	30.7	C1315-31
	9000 Watts	480	25.6	N1375-32
	9750 Watts	480	23.6	N1375-33
	6750 Watts	480	34.1	C1315-35
Extra O Ring (#220 Buna-N)			O RING J MODEL	
Elements V3 (Note: Each element is supplied with an O-Ring)	1900 Watts	120	7.6	C1315-39
	3300 Watts	208	13.1	C1315-40
	3460 Watts	208	17.6	C1315-36
	3800 Watts	240	15.2	C1315-37
	3800 Watts	277	20.2	C1315-38
3800 Watts	346	31.5	C1315-41	

SERVICE PARTS LIST (cont.)

Category	Description	Volts	Ohms	Hubbell P/N	
Misc. Electrical	Control Board			T1000	
	Digital Display Module (with overlay and V16 Extension)			TD1000	
	V16 Ribbon Cable Extension			RIBBON CABLE J16	
	Display Overlay			OVERLAY J MODEL	
	Probe Sensor			P65	
	Probe Thermowell (includes #115 Buna-N O-Ring)			P65 WELL	
	Transformer 480-208V,50 VA			B050-3299-3	
	Transformer 600-195V,50 VA			B050-3350-3	
	Transformer 380-185V,50 VA			B050-3351-3	
	Transformer 480-208V,100 VA			B100-3299-3	
	Transformer 600-195V,100 VA			B100-3350-3	
	Transformer 380-185V,100 VA			B100-3351-3	
	Transformer 480-208V (V3 and V4 only)			TRAN 480-208 25VA	
	Transformer 380-208V (V3 only)			TRAN 380-208 25VA	
	Transformer 277-208V (V3 only)			TRAN 277-208 25VA	
	Transformer 600-208V (V3 only)			TRAN 600-208 25VA	
	Power Distribution Block 175 amp 2 pole			16220-2	
	Power Distribution Block 175 amp 3 pole			16220-3	
	Power Distribution Block 310 amp 3 pole			16023-3	
	Diffuser Assembly with Nipple			J6 DIFFUSER	
	RJ45 Pigtail for P65 Probe Testing			P65-RJ45 TESTER	
	Low Temperature Interlock			XB1	
	24-Volt Interlock Adapter			PLUG ADAPTER J1	
	Remote Alarm Plug Adapter			PLUG ADAPTER J4	
	Wire #18 200C (black,white,red,yellow) Tefzel 750			WIRE #18 200C "COLOR"	
	Wire #12 200C (blue or red) Tefzel 750			WIRE #12 200C "COLOR"	
	Wire #10 200C (blue or red) Tefzel 750			WIRE #10 200C "COLOR"	
	Wire #8 200C (blue or red) Tefzel 750			WIRE #8 200C "COLOR"	
	Wire #6 200C (black) Tefzel 750			WIRE #6 200C BLACK	
	Vessel (includes insulation and o-rings)	V6 Vessel with 3 Element Openings			J6-3 TANK KIT
		V6 Vessel with 6 Element Openings			J6-6 TANK KIT
		V16 Vessel with 3 Element Openings			J16-3 TANK KIT
V16 Vessel with 6 Element Openings				J16-6 TANK KIT	
V16 Vessel with 9 Element Openings				J16-9 TANK KIT	
V3 Vessel				J3 TANK KIT	
V4 Vessel			J4 TANK KIT		
Stainless Steel Enclosure Parts	V6, 3 Element Base			J6-3 BASE	
	V6, 3 Element Top Enclosure			J6-3 JACKET	
	V6, 3 Element Front Cover			J6-3 FRONT COVER	
	V6, 6 Element Base			J6-6 BASE	
	V6, 6 Element Top Enclosure			J6-6 JACKET	
	V6, 6 Element Front Cover			J6-6 FRONT COVER	
	V16 Base			J16 BASE	
	V16 Top Enclosure			J16 JACKET	
	V16 Front Cover			J16 FRONT COVER	
	V3 Base			J3 BASE	
	V3 Top Enclosure			J3 JACKET	
	V3 Front Cover			J3 FRONT COVER	
	V4 Base			J4 BASE	
	V4 Top Enclosure			J4 JACKET	
V4 Front Cover			J4 FRONT COVER		

SECTION VII – TORQUE VALUES

Part	P/N	Wire Size	Torque (in•lbs)	Torque (ft•lbs)	
Element to Tank	All	N/A	600	50	
Wire to Element	All	All	15	1.25	
Probe to Tank	All	N/A	300	25	
Wire to Ground Lug	KA8C	All	25	2.08	
	KA4C	All	45	3.75	
Wire to Circuit Breaker	All	#14-#10	35	2.92	
		#8	40	3.33	
		#6-#4	45	3.75	
Transformer	All	All	15	1.25	
Wire to Control Board	All	All	3.5	0.29	
Wire to Contactor	C25DNF315B C25DNF330B C25DNF340B C25DNF350B	#14-#12	15	1.25	
		#10	25	2.08	
		#8	40	3.33	
		#6-#4	45	3.75	
	C25FNF360B C25FNF375B	#14-#10	40	3.33	
		#8	45	3.75	
		#6-#4	50	4.17	
Wire to Power Distribution Block	16023-3 16023-2	Line	All	275	22.92
		Load	#14-#10	20	1.67
			#8	25	2.08
			#6-#4	35	2.92
	63133 63132	Line	#14-#8	50	4.17
			#6-2/0	120	10
		Load	#14-#10	20	1.67
			#8	25	2.08
#6-#4	35	2.92			
Control Board to Panel	All	N/A	10	0.83	
Display to Base	All	N/A	10	0.83	
All Other Components to Panel	All	N/A	20	1.67	

SECTION VIII – WARRANTY

WARRANTY INFORMATION LIMITED WARRANTY

1. PRODUCT WARRANTY. Hubbell warrants the water heater it manufactures and its components (the "Product") to be free from defects in materials and workmanship, under normal use and service for the period of time identified below beginning from the date of installation, provided that the product is installed within three (3) months of date of shipment from Hubbell and when the Product is installed and maintained in accordance with Hubbell's written instructions (see operators manual for details). Owner must establish the Product's purchase date by means satisfactory to Hubbell in its sole discretion.

TANK and COMPONENTS: 90 days parts and labor

ELECTRICAL COMPONENTS: One (1) year, parts only

TANK ONLY: Three (3) years Non Pro-Rated

REPLACEMENT PARTS: Thirty (30) days parts only, no labor, from date of purchase

SUCH WARRANTIES DO NOT COVER:

- Product failure (including but not limited to the tank and/or heating elements) caused by liming, sediment buildup, chemical corrosion, chlorine corrosion, or freezing.
- Temperature setting adjustments, pressure reducing valve adjustments, resets, and plumbing leaks.
- Product misuse, tampering or misapplication, accidental damage, improper installation or the application of improper voltage.
- Costs incurred for shipping, delivery, handling, and/or administrative charges.
- For the tank warranty after the first year, all labor, shipping, installation costs, and components (other than the tank) are the responsibility of the owner.
- With respect to labor warranty within the first year, overtime, holiday, weekend or any other non-standard labor rate.
- Excessive and unreasonable labor rates and/or travel expenses as determined by Hubbell in its sole discretion.

THE FOREGOING WARRANTIES ARE EXCLUSIVE AND IN LIEU OF ANY OTHER WARRANTY, EXPRESSED OR IMPLIED, INCLUDING BUT NOT LIMITED TO ANY IMPLIED WARRANTY OR MERCHANTABILITY OR FITNESS FOR A PARTICULAR PURPOSE OR PATENT OR OTHER INTELLECTUAL PROPERTY RIGHT INFRINGEMENT.

2. LIMITATION OF REMEDIES AND DAMAGES. Hubbell's liability and Buyer's exclusive remedy hereunder will be limited solely, at Hubbell's option, to repair or replacement by a Hubbell authorized service agency (other than where Buyer is located outside of the United States or Canada, in which case Hubbell's liability and Buyer's exclusive remedy hereunder will be limited solely to replacement of part under warranty) with respect to any claim made within the applicable warranty period referred to above. Without limiting the generality of the foregoing, all warranty items shall be returned by Buyer, at its sole expense, to the Hubbell factory (45 Seymour Street Stratford, CT 06615) for replacement or repair. Hubbell reserves the right to accept or reject any such claim in whole or in part. Hubbell will not accept the return of any product without prior written approval from Hubbell, and all such approved returns shall be made at Buyer's sole expense.

HUBBELL WILL NOT BE LIABLE, UNDER ANY CIRCUMSTANCES, FOR CONSEQUENTIAL OR INCIDENTAL DAMAGES, INCLUDING BUT NOT LIMITED TO LABOR COSTS OR LOST PROFITS RESULTING FROM THE USE OR INABILITY TO USE THE PRODUCTS OR FROM THE PRODUCTS BEING INCORPORATED IN OR BECOMING A COMPONENT OF ANY OTHER PRODUCT OR GOODS.