

INSTALLATION, OPERATION, AND MAINTENANCE MANUAL FOR THE HUBBELL TANKLESS WATER HEATER

Hubbell™
ELECTRIC HEATER COMPANY



**HUBBELL
ELECTRIC HEATER COMPANY
P.O. BOX 288
STRATFORD, CT 06615-0288**

PHONE: (877) 649-8589

FAX: (203) 378-3593

INTERNET: <http://www.buytankless.com>



Important Safety Information

1. You must read and follow all instructions. Serious bodily injury or death could occur if you ignore this warning.
2. All circuit breakers and/or disconnect switches servicing the heater must be turned off when installing, uninstalling, or repairing this water heater.
3. The Hubbell Tankless Water Heater must be grounded.
4. The unit must be installed by a licensed electrician and plumber.
5. The unit must be wired in accordance with the current version of the National Electrical Code (US) or Canadian Electric Code (Canada).
6. This installation must comply with all national, state, and local plumbing and electrical codes.
7. When the heater is not within sight of the electrical circuit breakers, an additional local means of disconnection of all ungrounded conductors must be provided that is within sight of the appliance or a circuit breaker lockout must be used. (Ref. NEC 422.31)
8. If the Hubbell Tankless Water Heater is installed in a location where water damage could occur in the event of a leak, it is recommended that a drip pan be installed and connected to a suitable drain. Alternatively, an active water leak detector and shut off valve can be installed to turn off your water supply in the event a leak is detected.
9. If water supply has a high mineral content, a water softening system is recommended. Damage to the water heater resulting from scale or hard minerals will not be covered under warranty.
10. When the heater is installed in a well water system or if the plumbing system is prone to introducing air into the heater, it is highly recommended that an air separator be installed in the cold water feed to the heater to avoid possible failure of the heating element and/or heating chamber.

TABLE OF CONTENTS

SECTION	TITLE	PAGE No.
I	TANKLESS WATER HEATER OPERATING PRINCIPLE	4
II	GENERAL DESCRIPTION AND CONSTRUCTION	5
III	INSTALLATION	10
IV	OPERATION AND MAINTENANCE	15
V	TROUBLESHOOTING	21
VI	SERVICING & REPLACEMENT OF PARTS	27
VII	PARTS LIST	32
VIII	WARRANTY	33
APP. I	SUB-PANEL WIRING DETAILS	36

SECTION I – TANKLESS WATER HEATER OPERATING PRINCIPLE

How the Hubbell Tankless Water Heater Works:

For the most part, operating your new tankless water heater is very similar to using any traditional water heater system. However, it is very important that you carefully read all of the set-up procedures and operating instructions to ensure maximum performance and energy savings from your new water heater.

Your Hubbell Tankless Water Heater does not store hot water like a conventional tank-type water heater. It contains high powered heating elements that are capable of heating water instantly on-demand as you need it. As soon as you turn on a hot water faucet, a sophisticated flow sensor within the heater recognizes that you have turned on the water. This sensor measures the water flow rate while two other sensors measure the incoming and outgoing water temperature. This information is transmitted continually to the microprocessor controller which determines the precise amount of power to send to the heating elements to heat the water to your desired temperature. The Hubbell tankless water heater only uses as much power as is needed to meet the demand by fully modulating the heating elements from 0 to 100%. Since your new water heater works on a demand basis, it will absolutely never run out of hot water no matter how many back to back showers you run!

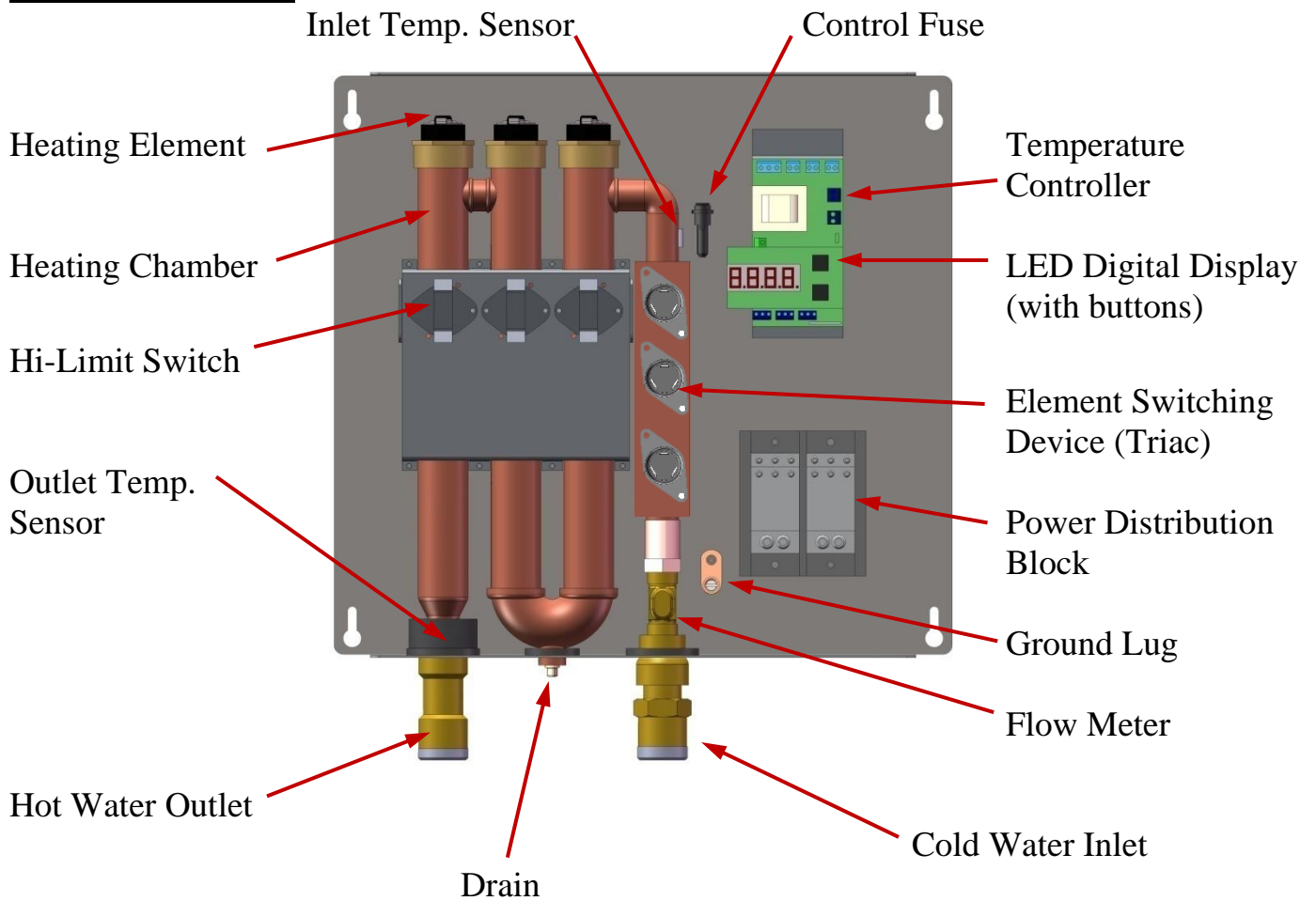
It is important to keep in mind that every tankless water heater has a maximum flow rate. If you exceed this flow rate, the heater will not be capable of fully heating water. How much hot water your heater can provide will depend on the model you have selected and your incoming water temperature. If you live in an area of the country where inlet cold water temperature average 55° F or you have cold winters, you will probably NOT be able to run multiple large water demand fixtures at the same time. However, you will be able to run all your hot water fixtures back to back without ever having to wait. You will enjoy UNLIMITED HOT WATER. See the charts in Section II to determine the maximum flow rates.

Moreover, since a tankless water heater eliminates the ongoing thermal losses caused by storing hot water in a tank, you will enjoy significant energy savings over a conventional tank type water heater.

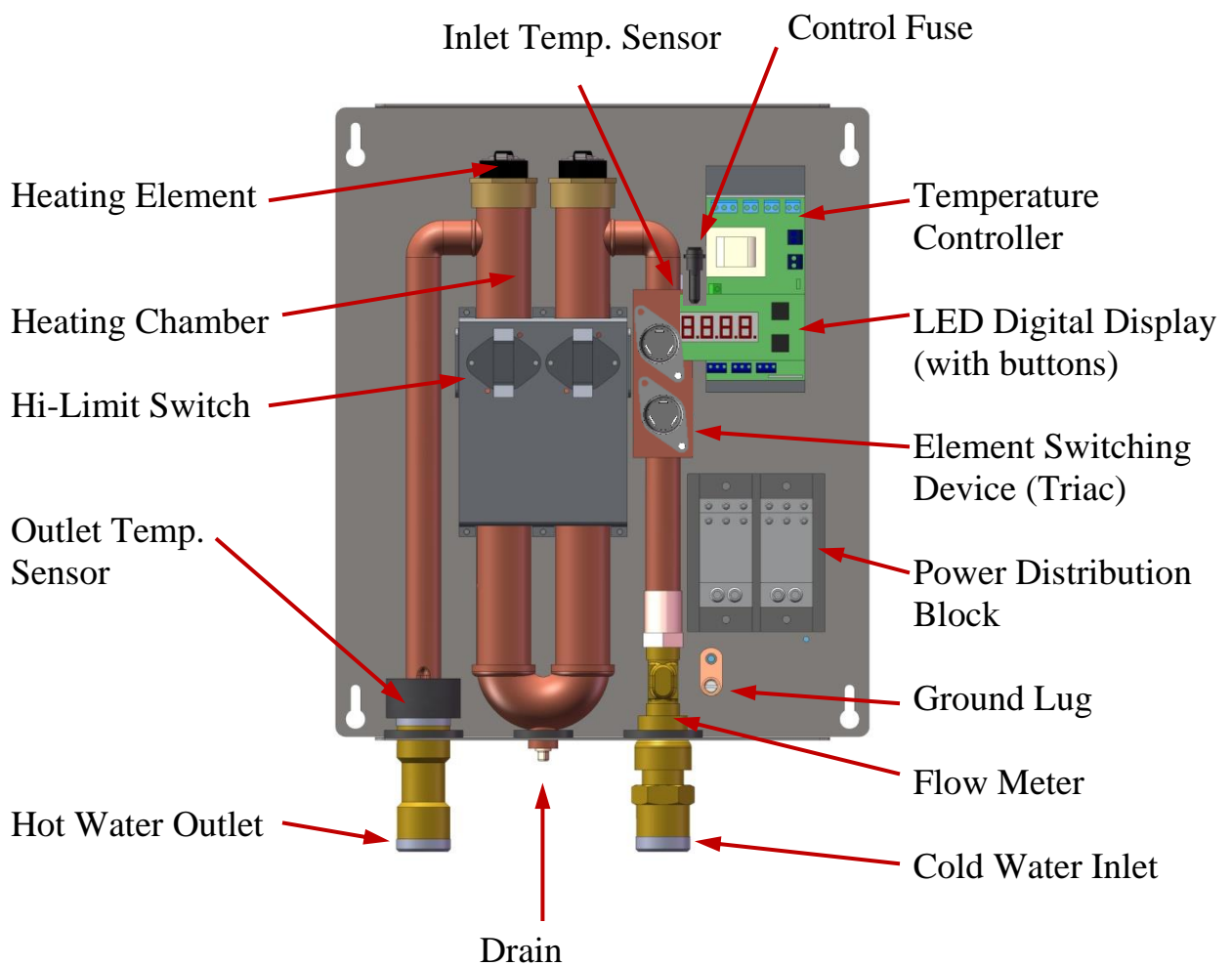
When you use hot water from a conventional tank type water heater, you need to mix a considerable volume of cold water to cool the hot water down to a safe, comfortable level. You need to do this because the heater is set at an extremely high temperature to prevent it from running out of hot water quickly. With a tankless water heater, you typically set the temperature at a much lower level since it is capable of heating your water on demand. This level will be much closer to the actual temperature at which you feel comfortable showering or bathing. As such, you will no longer need to mix much cold water to run a shower or bath; in fact, you may mix very little or no cold water. This is perfectly normal and means that you are no longer wasting energy by overheating your water.

SECTION II – GENERAL DESCRIPTION AND CONSTRUCTION

Product Overview:



3-Element Design (Models 280-3, 240-3, and 220-3)



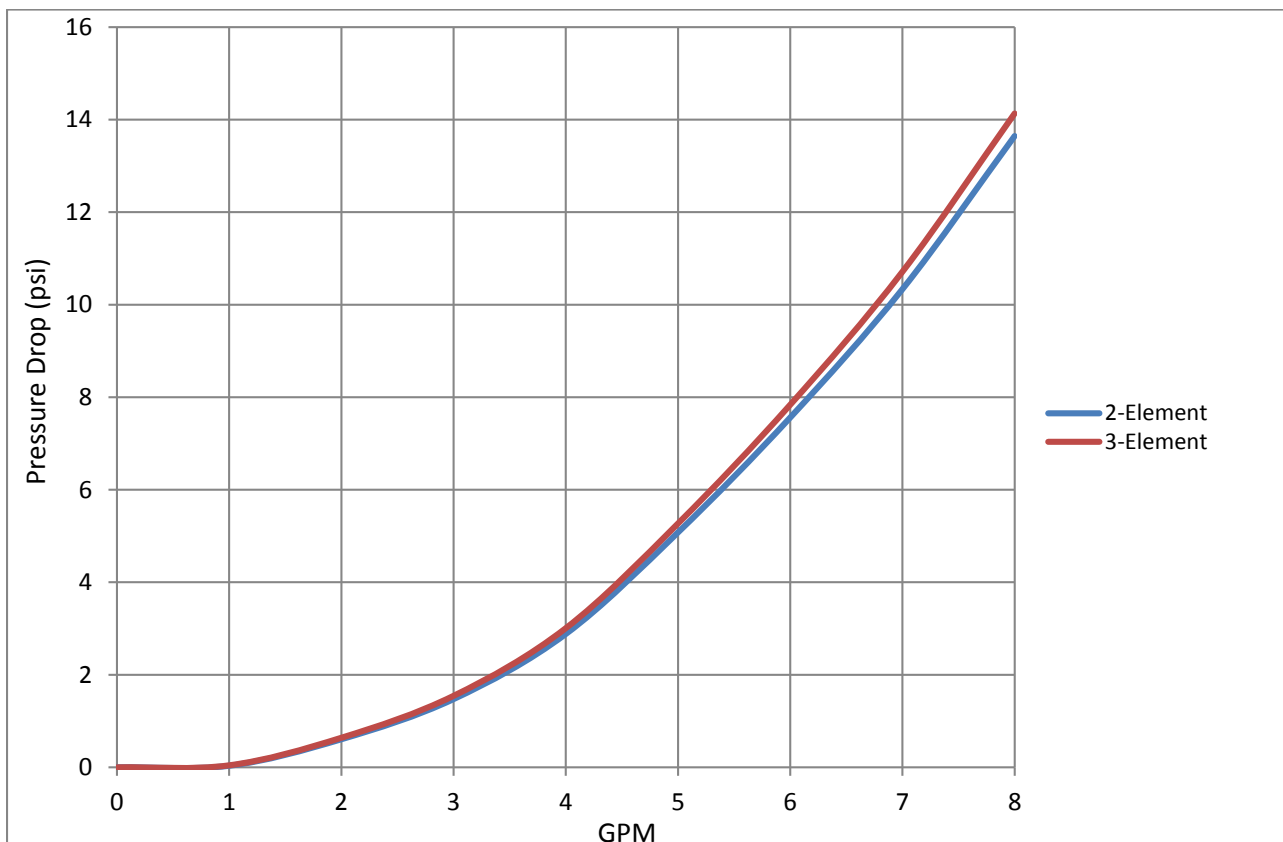
2-Element Design (Models 180-2, 165-2, 145-2, and 110-2)

Hubbell Tankless Water Heater Selection Overview:

Model No.	kW	Amps @ 240V	Min. Required Home Service (Amps)	Max. flow (GPM) of water heated to 105°F with incoming cold water temperature of							
				40°F	45°F	50°F	55°F	60°F	65°F	70°F	75°F
280-3	27	112.5	200	2.8	3.1	3.4	3.7	4.1	4.6	5.3	6.2
240-3	24	100.0	200	2.5	2.7	3	3.3	3.6	4.1	4.7	5.5
220-3	21	87.5	200	2.2	2.4	2.6	2.9	3.2	3.6	4.1	4.8
180-2	18	75.0	150	1.9	2.1	2.2	2.5	2.7	3.1	3.5	4.1
165-2	16	66.7	125	1.7	1.8	2	2.2	2.4	2.7	3.1	3.6
145-2	14	58.3	100	1.5	1.6	1.7	1.9	2.1	2.4	2.7	3.2
110-2	11	45.8	100	1.2	1.3	1.4	1.5	1.7	1.9	2.1	2.5

Note: Recovery rates (GPM) are based upon an actual supply voltage of 240 volts with no voltage drop. If the actual supply voltage is less than 240 volts, the recovery rating (GPM) will be reduced. Please see the wattage de-rating and flow rate formulas at the end of Section II to determine the actual power (kW) and recovery rate (GPM) when voltage is less than 240 volts.

Tankless Pressure Drop Chart:



Technical Specifications Common to All Models:

Materials:	Copper Exchanger / Stainless Steel Casing	Plumbing Connection:	3/4" Copper, CPVC, or PEX
Voltage:	208-240 Volts / 1 Ph	Operating Range:	5 – 150 psi
Frequency:	50 / 60 Hz	Protection:	Thermal Auto Reset
Energy Efficiency:	98%		

Model 280-3

Our most powerful residential electric tankless water heater. This 27 kW water heater is configured for cold climates where the incoming water temperature can drop below 45° F. The Model 280-3 is well suited for homes in the northern U.S. and Canada, and those in the southern U.S. that have large Roman-style or Jacuzzi tubs and that have generally more demanding water usage needs.

		Maximum Flow Rate (GPM)					
		Outlet Temp. (°F)					
		100	105	110	115	120	125
Inlet Temp. (°F)	40	3.1	2.8	2.6	2.5	2.3	2.2
	45	3.4	3.1	2.8	2.6	2.5	2.3
	50	3.7	3.4	3.1	2.8	2.6	2.5
	55	4.1	3.7	3.4	3.1	2.8	2.6
	60	4.6	4.1	3.7	3.4	3.1	2.8
	65	5.3	4.6	4.1	3.7	3.4	3.1
	70	6.2	5.3	4.6	4.1	3.7	3.4
	75	7.4	6.2	5.3	4.6	4.1	3.7

Technical Specifications:

Dimensions:	17" x 16.2" x 3.6"	Customer Double-Pole Circuit Breaker / Fused Disconnect Required:	1 x 125A or 2 x 60A or 3 x 40A
Weight:	20 lbs.		
kW / Elements:	27 kW / 3 elements		
Max. Amps:	112.5 A @ 240 V		

Model 240-3

The 24 kW water heater is configured for climates where incoming water temperatures are in the 50° - 70° F range. The Model 240-3 is suitable as a whole house water heater.

		Maximum Flow Rate (GPM)					
		Outlet Temp. (°F)					
		100	105	110	115	120	125
Inlet Temp. (°F)	40	2.7	2.5	2.3	2.2	2.1	1.9
	45	3	2.7	2.5	2.3	2.2	2.1
	50	3.3	3	2.7	2.5	2.3	2.2
	55	3.6	3.3	3	2.7	2.5	2.3
	60	4.1	3.6	3.3	3	2.7	2.5
	65	4.7	4.1	3.6	3.3	3	2.7
	70	5.5	4.7	4.1	3.6	3.3	3
	75	6.6	5.5	4.7	4.1	3.6	3.3

Technical Specifications:

Dimensions:	17" x 16.2" x 3.6"	Customer Double-Pole Circuit Breaker / Fused Disconnect Required:	1 x 110A or 2 x 60A or 3 x 40A
Weight:	20 lbs.		
kW / Elements:	24 kW / 3 elements		
Max. Amps:	100 A @ 240 V		

Model 220-3

The 21 kW, water heater is configured for cold climates where the incoming water temperature can drop below 55° F. The Model 220-3 is well suited for homes in the northern U.S. and Canada, and those in the southern U.S. that have large Roman-style or Jacuzzi tubs and that have generally more demanding water usage needs.

		Maximum Flow Rate (GPM)					
		Outlet Temp. (°F)					
		100	105	110	115	120	125
Inlet Temp. (°F)	40	2.5	2.3	2.1	2	1.9	1.8
	45	2.7	2.5	2.3	2.1	2	1.9
	50	3	2.7	2.5	2.3	2.1	2
	55	3.3	3	2.7	2.5	2.3	2.1
	60	3.8	3.3	3	2.7	2.5	2.3
	65	4.3	3.8	3.3	3	2.7	2.5
	70	5	4.3	3.8	3.3	3	2.7
	75	6	5	4.3	3.8	3.3	3

Technical Specifications:

Dimensions:	17" x 16.2" x 3.6"	Max. Amps:	87.5 A @ 240 V
Weight:	20 lbs.	Customer Double-Pole Circuit Breaker Required:	1 x 100A or 2 x 50A
kW / Elements:	21 kW / 3 elements		

Model 180-2

The 18 kW water heater is configured for climates where incoming water temperatures are in the 60° -70° F range. The Model 180-2 is suitable as a whole house water heater.

		Maximum Flow Rate (GPM)					
		Outlet Temp. (°F)					
		100	105	110	115	120	125
Inlet Temp. (°F)	40	2.1	1.9	1.8	1.6	1.5	1.4
	45	2.2	2.1	1.9	1.8	1.6	1.5
	50	2.5	2.2	2.1	1.9	1.8	1.6
	55	2.7	2.5	2.2	2.1	1.9	1.8
	60	3.1	2.7	2.5	2.2	2.1	1.9
	65	3.5	3.1	2.7	2.5	2.2	2.1
	70	4.1	3.5	3.1	2.7	2.5	2.2
	75	4.9	4.1	3.5	3.1	2.7	2.5

Technical Specifications:

Dimensions:	13.5" x 16.2" x 3.6"	Max. Amps:	75 A @ 240 V
Weight:	16 lbs.	Customer Double-Pole Circuit Breaker Required:	1 x 80A or 2 x 40A
kW / Elements:	18 kW / 2 elements		

Model 165-2

The 16 kW Model 165-2 is designed for moderate climates where the coldest incoming water temperature is 60° F or greater. As a whole house model, the Model 165-2 is best suited to homes in the southernmost regions of the U.S. (i.e. Southern California, Texas, Florida, etc.), as well as Mexico and the Caribbean.

		Maximum Flow Rate (GPM)					
		Outlet Temp. (°F)					
		100	105	110	115	120	125
Inlet Temp. (°F)	40	1.8	1.7	1.6	1.5	1.4	1.3
	45	2	1.8	1.7	1.6	1.5	1.4
	50	2.2	2	1.8	1.7	1.6	1.5
	55	2.4	2.2	2	1.8	1.7	1.6
	60	2.7	2.4	2.2	2	1.8	1.7
	65	3.1	2.7	2.4	2.2	2	1.8
	70	3.6	3.1	2.7	2.4	2.2	2
	75	4.4	3.6	3.1	2.7	2.4	2.2

Technical Specifications:

Dimensions:	13.5" x 16.2" x 3.6"	Max. Amps:	67 A @ 240 V
Weight:	16 lbs.	Customer Double-Pole Circuit Breaker Required:	1 x 80A or 2 x 40A
kW / Elements:	16 kW / 2 elements		

Model 145-2

The 14 kW Model 145-2 tankless water heater is configured for climates where the lowest incoming water temperature is above 70° F. The Model 145-2 is used primarily in warm climates as a whole house unit in tropical climates.

		Maximum Flow Rate (GPM)					
		Outlet Temp. (°F)					
		100	105	110	115	120	125
Inlet Temp. (°F)	40	1.6	1.5	1.4	1.3	1.2	1.1
	45	1.7	1.6	1.5	1.4	1.3	1.2
	50	1.9	1.7	1.6	1.5	1.4	1.3
	55	2.1	1.9	1.7	1.6	1.5	1.4
	60	2.4	2.1	1.9	1.7	1.6	1.5
	65	2.7	2.4	2.1	1.9	1.7	1.6
	70	3.2	2.7	2.4	2.1	1.9	1.7
	75	3.8	3.2	2.7	2.4	2.1	1.9

Technical Specifications:

Dimensions:	13.5" x 16.2" x 3.6"	Max. Amps:	59 A @ 240 V
Weight:	16 lbs.	Customer Double-Pole Circuit Breaker Required:	1 x 70A or 2 x 35A
kW / Elements:	14 kW / 2 elements		

Model 110-2

The 11 kW Model 110-2 tankless water heater is designed for moderate climates where the lowest incoming water temperature is above 70° F. The Model 110-2 is a point of use or booster model in warm climates as opposed to a whole house water heater.

		Maximum Flow Rate (GPM)					
		Outlet Temp. (°F)					
		100	105	110	115	120	125
Inlet Temp. (°F)	40	1.3	1.2	1.1	1	0.9	0.9
	45	1.4	1.3	1.2	1.1	1	0.9
	50	1.5	1.4	1.3	1.2	1.1	1
	55	1.7	1.5	1.4	1.3	1.2	1.1
	60	1.9	1.7	1.5	1.4	1.3	1.2
	65	2.1	1.9	1.7	1.5	1.4	1.3
	70	2.5	2.1	1.9	1.7	1.5	1.4
	75	3	2.5	2.1	1.9	1.7	1.5

Technical Specifications:

Dimensions:	13.5" x 16.2" x 3.6"	Max. Amps:	46 A @ 240 V
Weight:	16 lbs.	Customer Double-Pole	1 x 50A or
kW / Elements:	11 kW / 2 elements	Circuit Breaker Required:	2 x 25A

Alternate Voltage Table

The tables below lists the power in kW and the amperages for each model when connected to voltages other than 240 volts.

		Power (kW)		
		Connected Voltage		
		208	220	230
Model No.	280-3	20.28	22.69	24.80
	240-3	18.03	20.17	22.04
	220-3	15.77	17.65	19.29
	180-2	13.52	15.13	16.53
	165-2	12.02	13.44	14.69
	145-2	10.52	11.76	12.86
	110-2	8.26	9.24	10.10

		Amperage		
		Connected Voltage		
		208	220	230
Model No.	280-3	97.50	103.13	107.81
	240-3	86.67	91.67	95.83
	220-3	75.83	80.21	83.85
	180-2	65.00	68.75	71.88
	165-2	57.78	61.11	63.89
	145-2	50.56	53.47	55.90
	110-2	39.72	42.01	43.92

Wattage De-rating Formula:

$$\frac{\text{Applied Voltage}^2}{\text{Rated Voltage}^2} \times \text{Rated Wattage} = \text{Actual Wattage}$$

For example: If installing a 27 kW unit, Model 280-3, when actual voltage is 212 V,

$$\frac{212^2}{240^2} = \frac{44,944}{57,600} = 0.78 \times 27,000 \text{ W} = 21,060 \text{ W @ 212 V}$$

Amperage Formula:

$$\frac{\text{Watts}}{\text{Volts}} = \text{Amps (Single Phase)}$$

Flow Rate Formulas:

To determine power (kW) requirement

$$\text{___ GPM} \times \text{___ } ^\circ\text{F } \Delta\text{T} \times 0.1465 = \text{___ kW}$$

To determine temperature rise

$$\text{___ kW} \times 6.824 \div \text{___ GPM} = \text{___ } ^\circ\text{F } \Delta\text{T}$$

To determine flow rate

$$\text{___ kW} \times 6.824 \div \text{___ } ^\circ\text{F} \Delta\text{T} = \text{___ GPM}$$

SECTION III – INSTALLATION



WARNING: Serious bodily injury or death may occur if the following warnings are ignored.

- All circuit breakers and/or disconnect switches servicing this heater must be turned off before installing, repairing or uninstalling this water heater.
- Installation of this product is restricted to indoor locations.
- Installation **MUST** be done by a licensed electrician and licensed plumber.

Locating and Mounting Instructions:

Your tankless water heater can be installed just about anywhere! Due to the small size of your water heater, it can be mounted in many small spaces, including closets, under sinks, in pantries, or under stair storage areas. However, there are some important guidelines to follow that will ensure that your installation is both safe and convenient in the event that future servicing is required.

This product is designed to be installed indoors only. You may be able to install your unit in an outdoor location as long as it is mounted in a suitable enclosure that protects it from rain, splashed water, direct sunlight, debris and insects. This product should NOT be installed in a location where it may be subjected to freezing temperatures. If the water inside your tankless water heater freezes, it can cause severe and permanent damage that is not covered under your warranty. If you suspect that your tankless water heater may have frozen, do not turn on the heater until it has thawed and you have inspected the system for leaks.

When selecting an installation location, give consideration to your existing plumbing configuration, location of your main electrical panel, and location of your bathroom, kitchen and laundry area. Try to choose a location that does not require you to make major plumbing alterations, that is close to your main electrical panel (this will reduce the amount of wire that you need to install), and that is physically close to the hot water fixtures that you use most often. By locating the heater close to the points-of-use, you will reduce the amount of time it takes for the hot water to travel from the water heater to your faucet. You should also give consideration to future servicing. Do NOT locate the water heater in a location that is difficult to access. In most cases, installing your tankless water heater in the same location as your old conventional tank-type water heater will make the most sense.

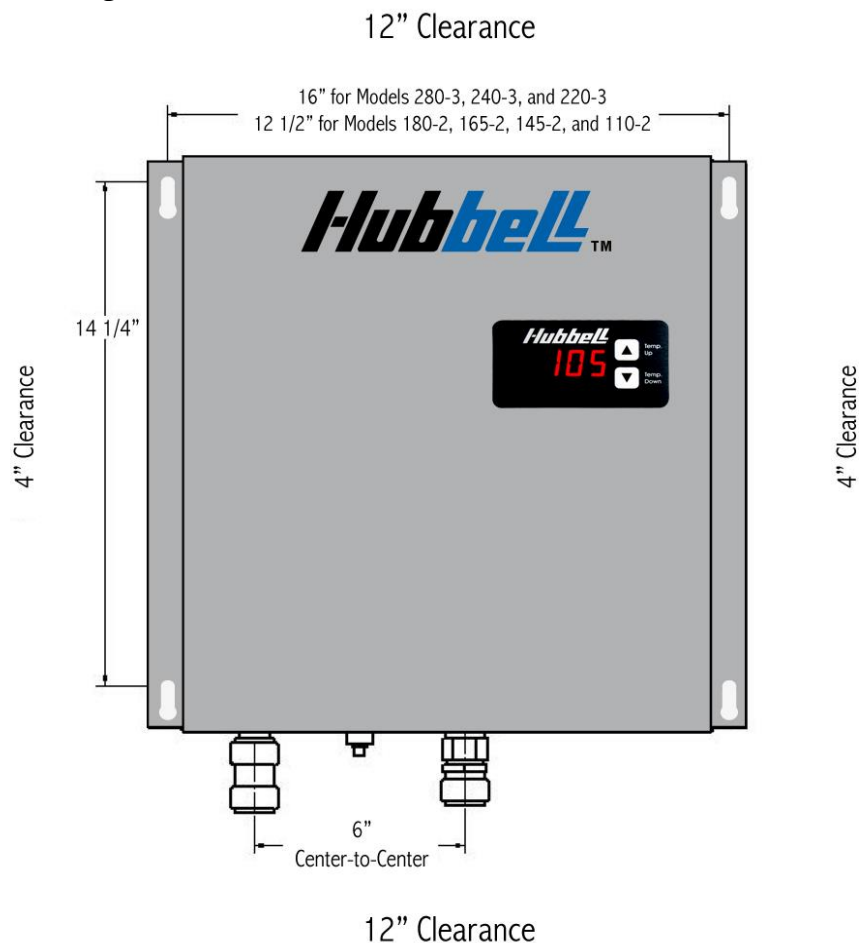
You should avoid installing your tankless water heater in a location prone to excessive humidity, moisture, or dust, or in an area where it may be splashed with water or other liquids. Do NOT install under water pipes or air conditioning lines that might leak or condense moisture that could then drip onto the heater. Do NOT install above electrical boxes or junctions.

If you plan to install your water heater on a second floor or in a heated attic space, make sure that you follow all code requirements for such installations as required for your area. We recommend that you install a drip pan (connected to a drain) below the water heater to avoid property damage in the unlikely event of a leak. Alternatively, you can install an active water leak detector and shut-off valve designed to turn off your water supply in the event that a leak is ever detected.

Mounting the unit:

- Leave a minimum of 4” to both sides and 12” on the top and bottom of the unit.
- Mount the water heater securely to the wall by putting four (4) screws through the mounting holes.

- Install a ¼” diameter bead of sealing caulk around the entire perimeter of the heater between the heater back panel and the wall. This prevents any moisture or debris from accumulating.



Plumbing Installation Instructions:



IMPORTANT INFORMATION:

- Ensure all fitting installations comply with local plumbing and building codes.
- This water heater does not require a temperature and pressure (T&P) relief valve. You may install a T&P relief valve if the county, city or state plumbing code requires it.
- When connecting to a plumbing system that utilizes Flex or PVC, a T&P relief valve should be used as added safety.
- Do not connect the unit directly to CPVC pipe. You must use at least three feet of copper pipe prior to connecting to any CPVC connection.
- **WARNING:** Do not solder any pipes with the unit connected to the pipes. Doing so will damage the flow meter and void your warranty.
- Before energizing the heater, run water for a minimum of three (3) minutes and verify that all air has been removed.
- Installation of an air separator device is recommended for installations where air can be easily introduced into the water system (i.e. Well water systems, lake pumps, and other municipal systems).
- A shut off valve **MUST** be installed on inlet side of unit. A shut off valve on the outlet is recommended.

Pipe Preparation:

- Cut the tube so that the ends are square. **WARNING:** Ensure that there are no burrs or damage to the cut end. This will prevent any damage to the internal o-ring.
- Once the tubing end is cut square and clean, mark the pipe to be installed at a distance of 1 ¾” from the end of the pipe. This is the insertion depth.
- Check that fittings and tubing are clean, in good condition and are free from damage and foreign objects.

Flushing the Line:

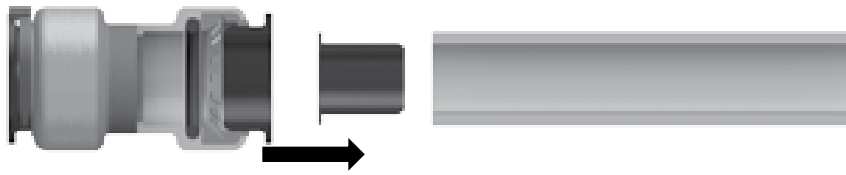
- Before connecting the copper pipe to the water heater, it is extremely important to flush the lines to eliminate all plumbing paste, residue, or debris in the lines.

Installation to Quick-Connect Fitting:

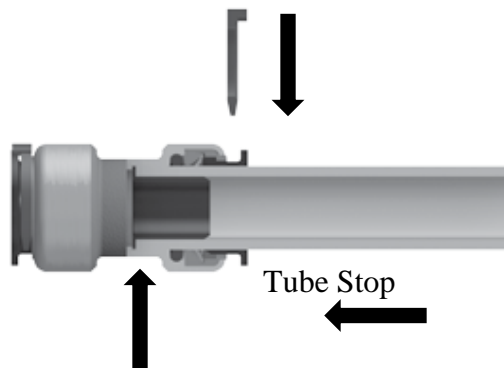
- Cut the pipe or tubing squarely and inspect the outside diameter of the pipe or tubing to be sure there is no damage, nicks, burrs, or debris.
- Deburr and clean pipe or tubing as necessary.
- Use the insertion depth specified in the table below.

Insertion Depth Guide	
Size	Insertion Depth
3/4" CTS	1 1/8"
1" CTS	1 1/4"

- If using PEX tubing, insert the supplied stiffener into the end of the pipe.



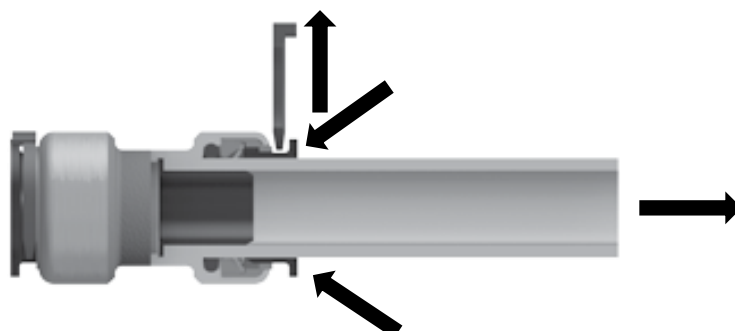
- Make certain to push the tubing completely into the fitting until it comes into contact with the internal tube stop.
- Insert push ring clip.



- Connect the cold water line to the water heater inlet marked cold water. Connect the hot water line to the water heater outlet marked hot water.
- After inserting both fittings, open the hot water faucet and allow water to run through the water heater for at least three (3) minutes, cycling the flow on and off every minute. This process clears all the air from the lines and must be performed prior to turning on the power at the unit. **WARNING:** Failure to do this may damage the flow meter or heating elements and will void your warranty.

Disconnecting a Joint:

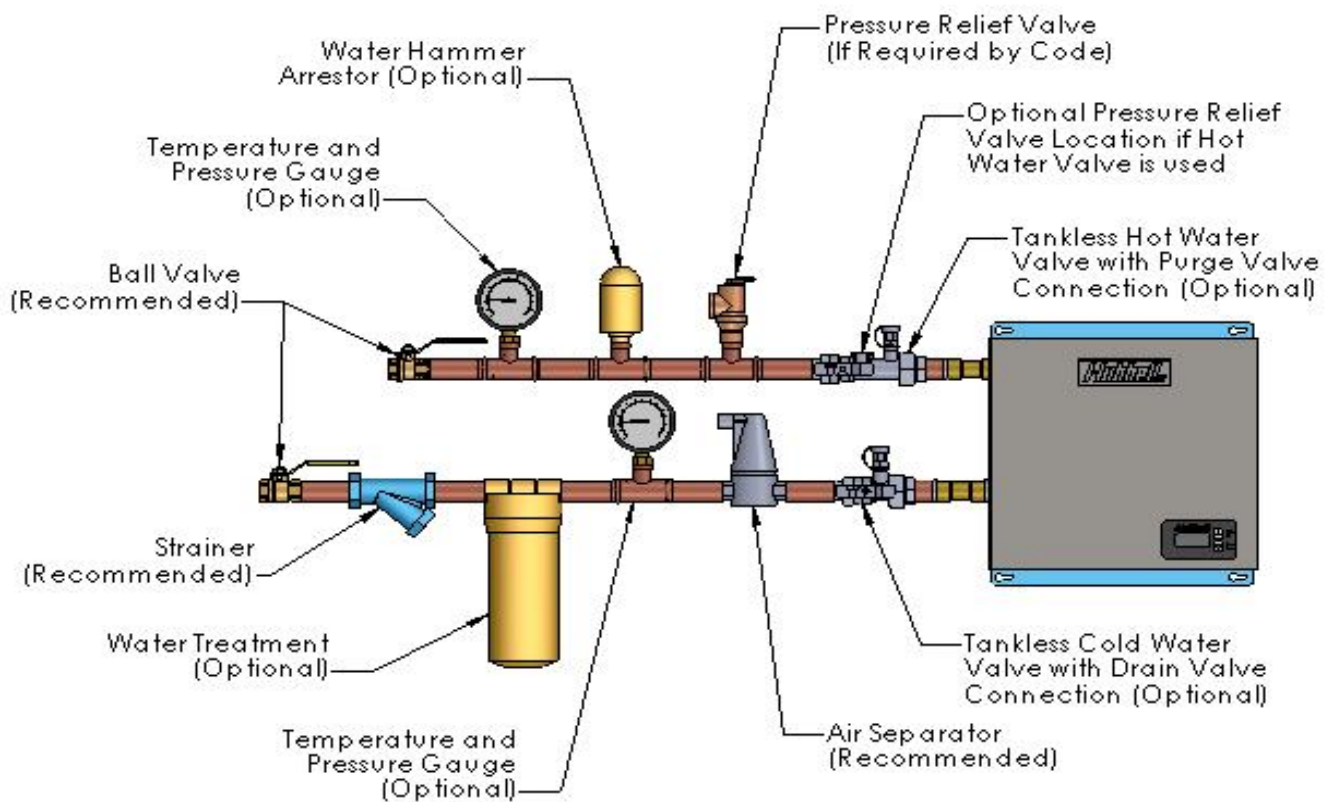
- Ensure the system has been depressurized before removing fitting.
- Remove push ring clip.
- Push the push ring in squarely against the face of the fitting.
- With the push ring held securely in this position, the tubing can be removed.



Checking for Leaks and Purging Air:

- If unit has been wired, verify all circuit breakers supplying power to the unit are turned off.
- Open all hot water taps supplied by the unit and inspect water connections for leaks.
- **With all hot water taps still open, allow the water to run for a minimum of 3 minutes.** Inspect each tap to ensure all air in the lines has been purged. This process purges all the air from the water lines and **MUST** be performed prior to turning on the power at the unit. **WARNING: FAILURE TO FOLLOW THIS STEP CAN CAUSE PERMANENT DAMAGE TO THE HEATING ELEMENTS.**
- Close all hot water taps.
- Close all hot water taps.

Typical Accessory Piping (Optional)



Electrical Installation Instructions:



IMPORTANT INFORMATION:

- *The unit must be wired in accordance* with the current version of the National Electrical Code (US) or Canadian Electric Code (Canada).
- The unit must have its own independent circuits.
- When the heater is not within sight of the electrical circuit breakers, an additional local means of disconnection of all ungrounded conductors must be provided that is within sight of the appliance or a circuit breaker lockout must be used. (Ref. NEC 422.31)
- Wire entry must be through the electrical KO provided in the bottom of the unit.
- For Canada, per Canadian Electric Code, C22.1-02, the unit must be wired by a single feed installation with one (1) double-pole circuit breaker.
- For US, the unit may be wired by a single feed installation with one (1) double-pole circuit breaker or by a multiple feed installation with multiple double-pole circuit breakers as shown below.

Wiring to the water heater:

- Connect the power wire from the main panel to the power distribution block.
- Connect the main ground wire to the ground lug in the heater.
- Make sure the connections are securely tightened.

Electrical Specifications:

Hubbell Tankless Model No.	110-2	145-2	165-2	180-2	220-3	240-3	280-3
kW @ 240V	11	14	16	18	21	24	27
Amps @ 240V	45.8	58.3	66.7	75.0	87.5	100.0	112.5
Min. Recommended Amperage to Home	100	100	125	150	200	200	200

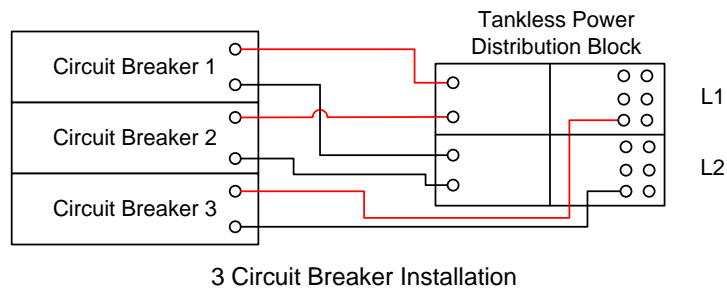
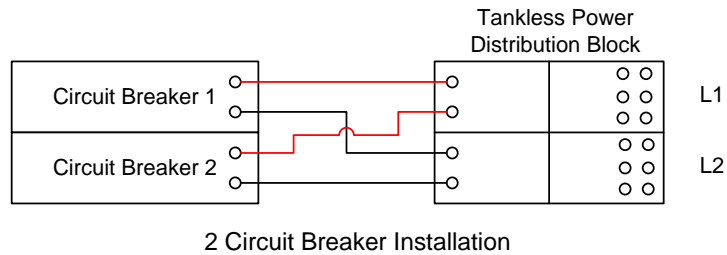
Multiple Circuit Installation: (See schematic below)

Minimum Double-Pole Circuit Breaker Size (quantity x amps) (US only)	2x25	2x35	2x40	2x40	2x50	2x60	2x60
						3x40	3x40
Min. Feed Wire Size at 75°C THHN or Equivalent	8	8	8	8	8	6	6
						8	8

Single Circuit Installation:

Minimum Double-Pole Circuit Breaker Size (US and Canada)	50	70	80	80	100	110	125
Min. Feed Wire Size at 75°C THHN or Equivalent	8	6	4	4	3	2	1

- Tankless water heaters are considered a non-continuous load.
- If 3 circuits are used, it is acceptable to install two conductors in one line side port and the third conductor in the second line side port of the power distribution block. Alternatively, one conductor may be installed in each line side port and the third conductor in an open load side port of the power distribution block.
- 60°C or 90°C wire may be used. Refer to NEC table 310.16 for sizing.
- Conductors should be sized to maintain a voltage drop of less than 3% under load.



Alternate Voltage Configuration Settings:

- The unit is factory configured and optimized for 240 volts. If the actual voltage supplied is less or equal to 230 volts, set the power factor in the configuration menu (see Temperature Controller User Interface Instructions in Section IV) according to the Alternate Voltage Table in Section II.

Sub-panel Wiring:

- When your new Hubbell Tankless Water Heater is to replace an existing tankless water heater that utilizes a sub-panel with circuit breakers and you are keeping the existing sub-panel, see Appendix I for additional wiring details.

SECTION IV – OPERATION AND MAINTENANCE

First Use of your Hubbell Tankless Water Heater:

Once the water supply is on and air has been purged from the system, power the unit on at the main panel. The unit is now operating automatically. When water flows through the unit, the heating elements turn on to heat the water to the displayed setpoint temperature. When the water flow stops, the heating elements turn off.

You can adjust the setpoint upward or downward by pressing the UP or DOWN button.

Displaying Celsius or Fahrenheit degrees and adjusting other settings for your tankless water heater can be done via the configuration menu, described below.



- Most people feel comfortable showering or bathing at a temperature between 98° and 105°F (37° to 41°C). We recommend that you set the output water temperature of your water heater in the range of 105° - 110°F (approx. 41° - 43°C). This will ensure you have adequate hot water to meet all of your household needs while also maximizing your available water flow rate, reducing the risk of scalding to children and the elderly, and increasing the energy savings you achieve.

- NOTE: All newer model dish washing machines are equipped with an internal heating element, and most clothes washing detergents are now designed for use in cold and warm water. There is no longer a need to set your water heater to a temperature above 125°F. Temperatures above this level (which most traditional water heaters are set to deliver) can cause serious scalding injuries to small children or elderly persons in your home.

Maintenance:

- The Hubbell Tankless Water Heater requires no maintenance other than to periodically check around the outside of the unit for leaks. If a water leak is detected from your water heater, turn off the water supply at the shut-off valve on the inlet side of the water heater, turn off the power to the heater at the main electrical panel and call a service technician or plumber for evaluation and repair.
- When any maintenance is performed on the water heater or the plumbing system that may introduce air into the water supply pipes, it is important to turn the power off to the water heater and purge the air out of the lines before restoring power to the unit. See Checking for Leaks and Purging Air in Section III.

Temperature Controller User Interface Instructions:

1. The display is always on when power is applied to the unit:
 - a. To turn the unit OFF, press and hold the DOWN button until display shows OFF.
 - b. The controller will preserve all its settings during any power outage or disconnect.
2. To change setpoint temperature (the temperature is fully adjustable in 1° increments).
 - a. Press the UP or DOWN button to change the setpoint temperature.
 - b. Pressing and holding either the UP or DOWN button will fast scroll.
3. Configuration Menu.
 - a. To enter configuration menu, press and hold the UP and DOWN buttons simultaneously for 7 seconds. (Note that the display will change during the time you are holding the buttons. You are in the configuration menu and can release the buttons when the first character of the display is ‘P’).
 - b. To scroll through menu items, press the UP or DOWN button.
 - c. To leave the configuration menu, wait 7 seconds without pushing any buttons.
 - d. To make a change to a specific configuration menu item, simultaneously press the UP and DOWN buttons. The menu item setting will now flash indicating it can be changed.
 - e. To scroll through menu item settings, press the UP or DOWN key.
 - f. When the desired setting is displayed, simultaneously press the UP and DOWN buttons to lock in the selection and return back to the configuration menu.
 - g. Configuration Menu Items:

- i. Power Setting - Sets the total kW rating of water heater.

1. P###, where ### is adjustable from 001 to 054 (Note that the kW selection should equal the kW based upon the actual voltage measured to the heater. Please see the nameplate on the front cover of the heater for a listing of kW ratings at various voltages).



- ii. Temperature Range – Sets the temperature adjustment range

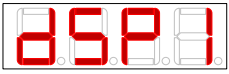



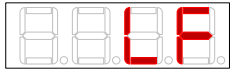


1. r001, 60° to 140°F (15°-60°C) (Factory Default)
2. r002, 32° to 194°F (0°-90°C)
3. r003, 32° to 104°F (0°-40°C)



- iii. Display units – Sets the display units to either Fahrenheit/Gallons or Celsius/Liters.

1. dEFF, for degrees Fahrenheit and Gallons. (Factory Default)
2. dECC, for degrees Celsius and Liters.



- iv. Normal Display Mode– Sets the display to show various values.
1. dSP1, to display setpoint temperature only. (Factory Default) 
 - a. setpoint is displayed as ###
 2. dSP2, to display measured inlet temperature intermittently with setpoint temperature.
 - a. Inlet temperature is displayed as i###
 3. dSP3, to display measured outlet temperature intermittently with setpoint temperature.
 - a. Outlet temperature is displayed as o###
 4. dSP4, to display measured flow rate intermittently with setpoint temperature
 - a. Flow rate is displayed as F##.#, in tenths of a gallon or liter.
 5. dSP5, to display inlet temp, outlet temp, flow rate and setpoint all intermittently.
- v. Power Limiting Factor – Sets the % of heater output allowed by the controller
1. L###, where ### is a percentage from 001 to 100 (Factory Default 100). This feature allows a user to limit the kW rating of the unit by a specific percentage and effectively lower the total amp draw of the unit. 
- vi. Heater Quantity – Sets the controller to perform calculations using the number of heating elements in the unit.
1. E001, for one heating element and all 3-phase units
 2. E002, for two heating elements
 3. E003, for three heating elements
 4. E004, for four heating elements
- 
- vii. Calibration – Used to calibrate the heater. (For factory use only)
1. CA #, where ## equals the degrees of calibration from -3 to 3. Default is 0. 
- viii. Low/High Flow – Sets the unit as either a low flow or high flow unit.
1. LF, for low flow (Factory Default).
 2. HF, for high flow (NOT TO BE USED WITH THE MODELS LISTED IN THIS MANUAL).
- 
- ix. Remote Control – Sets the operation of the remote control function (see Priority and Remote Controls in this section).
1. iPOF, disables the remote control (Factory Default).
 2. iPHi, 24VDC signal or closed relay connected to P2 and P3 will allow the heater to operate and loss of 24VDC signal or open relay connected to P2 and P3 will inhibit the heater operation. 
 3. iPLo, 24VDC signal or closed relay connected to P2 and P3 will inhibit the heater operation and loss of 24VDC signal or open relay connected to P2 and P3 will allow the heater to operate.
- x. Display Lock – Allows the user to lock the heater parameters. When the display is locked the temperature setpoint cannot be changed and although the configuration menu will still be accessible, no changes can be made to any parameters, except to change the display lock. With the display lock on, attempting to change the temperature setpoint will cause the display to show, Locd.
1. LcOn, to turn the display lock on.
 2. LcOF, to turn the display lock off (Factory Default).
- 
- xi. Software Version – Displays the version number of the software
1. Sd##, where ## is the version of the display software.

2. Sb##, where ## is the version of the main board software.

h. After this menu item, the configuration menu cycles back to the first item.

4. Diagnostic Menu Display

a. To display common diagnostic data useful for troubleshooting, when in normal display mode press and release the UP and DOWN buttons simultaneously.



b. The display will intermittently display the following values: flow rate (F##.#), measured inlet temp (i###), measured outlet temp (o###), setpoint (###).



c. These values and settings will continue to display and scroll until either the UP or DOWN button is pressed. The display then returns to normal display mode.



5. Configuration Settings Display

a. To display all configuration settings, when in normal display mode press and release the UP and DOWN buttons simultaneously twice.

b. The display will scroll through all configuration settings.

c. The display will continue to scroll until either the UP or DOWN button is pressed and will then return to normal display mode.

6. Power Rate Display

a. The decimal point in the display's rightmost digit is a visual indicator of how much power is required to meet the demand. A blinking decimal point indicates that the triac is being sent a signal to energize and thus turn the element on. The decimal point light will blink at a faster rate as the controller is calling for more heat. When the unit is calling for full power the light is solid.



POINT IS FLASHING ↑

b. If the amount of power required exceeds the capacity of the heater, then the entire display will intermittently flash. (Note that the display will only flash when the display configuration is set to 'dSP1'.)

7. Cost Calculator – Allows the user to view the amount of power and hot water consumed and the cost of operation.

a. To display the Cost Calculator values, when in normal display mode press and release the UP and DOWN buttons simultaneously three times.

b. The display will scroll through the Cost Calculator Values since last reset

i. C###, where ### equals the total cost of operation

ii. #####, where ##### equals the total number of kW·Hrs consumed

iii. H0##, where ## equals water usage up to the ten thousands place, followed by h###, where ### equals water usage up to the hundreds place. Example: H012, h345 equals 12,345 gallons of water used.

iv. To reset these values to 0, press and hold the UP and DOWN buttons simultaneously for 5 seconds. When the display shows '0000', the cost calculator has been reset.

c. To enter a specific cost per kW·Hr value, while displaying the Cost Calculator values above press and release the UP and DOWN buttons simultaneously.

i. The display shows the cost per kW·Hr as #.### (Factory Default 0.114)

ii. Press the UP or DOWN button to adjust the cost per kW·Hr. Holding the UP or DOWN buttons will fast scroll.

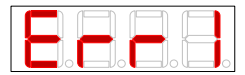
iii. Press the UP and DOWN buttons simultaneously to lock in the cost per kW·Hr.

iv. Press the UP or DOWN button to return to Cost Calculator values.

v. Press the UP or DOWN button to return to normal display mode.

8. Error Code

- a. Err1, indicates a failure of element #1
- b. Err2, indicates a failure of element #2
- c. Err3, indicates a failure of element #3
- d. Err4, indicates a failure of element #4
- e. Err5, indicates a failure of the inlet thermistor
- f. Err6, indicates a failure of the outlet thermistor
- g. Err7, indicates a failure of the display unit to communicate with the main board
- h. Err8, indicates that water has been detected in the case



Remote Display

An optional remote display may be supplied and connected to the [TK2000](#) control board as shown below.

Priority and Remote Controls:

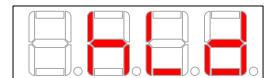
Optionally, the tankless water heater may be connected to another electrical device (10A @ 240VAC max.) that will give priority to the water heater over that device to ensure that both do not operate at the same time and/or the tankless water heater may be wired to a remote switch, relay, or provided with a 24VDC signal (such as from a building maintenance system) to allow the tankless water heater to be remotely controlled. The diagram and description below provide details on how connections to the tankless water heater control board are to be made.

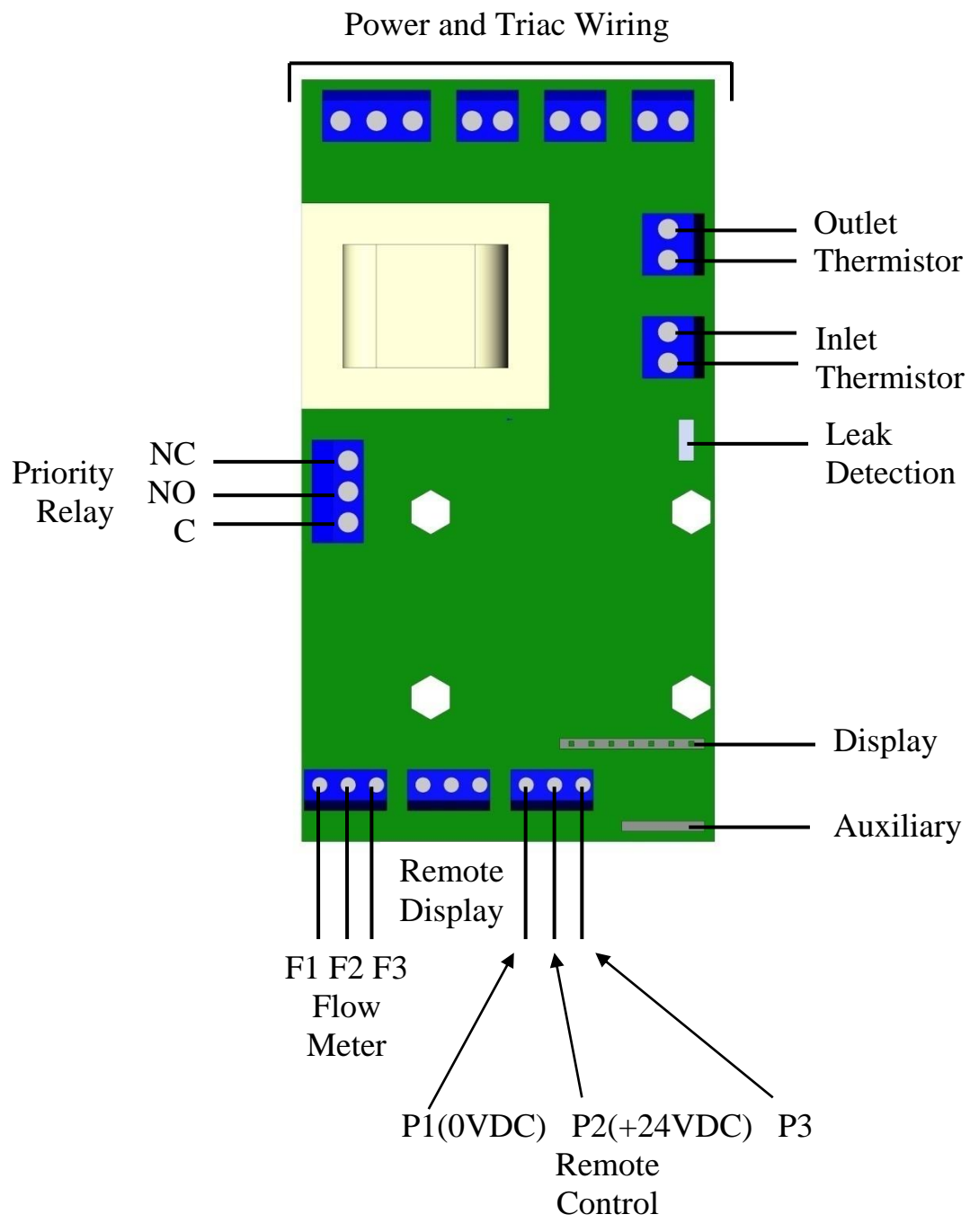
1. Priority Relay (10A@240VAC max.)

- a. When the unit is demanding power (calling for heat):
 - i. The connection between the terminals marked C and NO are closed and will allow power to pass through.
 - ii. The connection between the terminals marked C and NC are open and will not allow power to pass through.
- b. When the unit is not demanding power (not calling for heat):
 - i. The connection between the terminals marked C and NO are open and will not allow power to pass through.
 - ii. The connection between the terminals marked C and NC are closed and will allow power to pass through.

2. Remote Control

- a. When a 24VDC signal (5mA draw max.) is supplied between terminals P1 and P2, the heater will either operate or be inhibited (displayed as Hld) as determined by the Remote Control settings as shown above. Loss of 24VDC signal has the opposite effect.
- b. When wired to a volt-free contact (10A max.) between terminal P2 and P3 (output signal 24VDC@5mA), opening or closing the contact will allow the heater to either operate or inhibit (displayed as Hld) operation as determined by the Remote Control settings as shown above.





TK2000 Control Board Wiring Detail

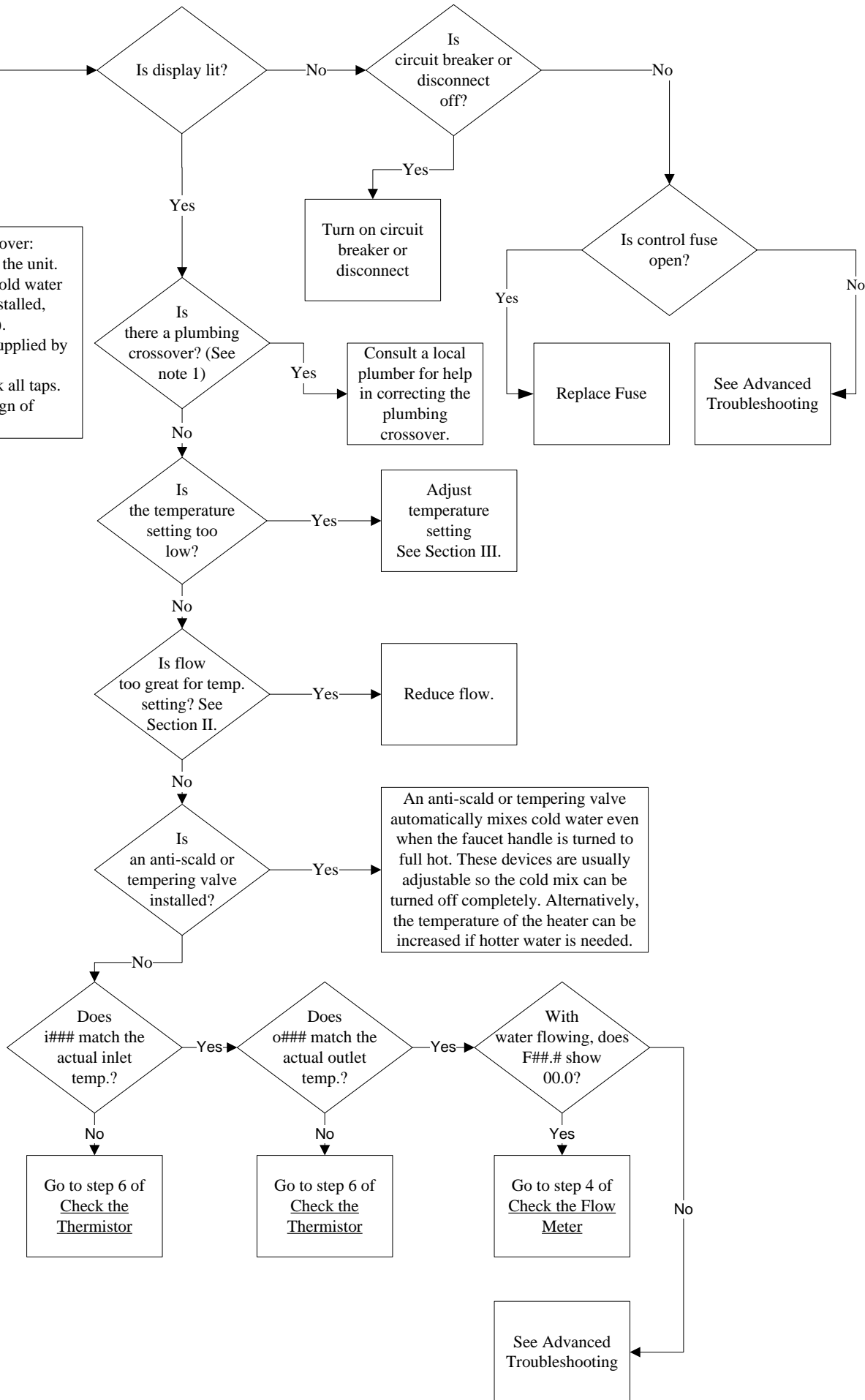
SECTION V – TROUBLESHOOTING

Initial Evaluation:

No Hot Water
or
Water is not hot
enough

NOTE 1

- To check for a plumbing crossover:
- Turn off power supply to the unit.
 - Close installer supplied cold water shut-off valve (if none installed, install before proceeding).
 - Open all hot water taps supplied by the unit.
 - Wait 5 minutes and check all taps.
 - Any water running is a sign of plumbing crossover.



For the final three steps, set the unit to diagnostic mode by pressing and releasing the UP and DOWN buttons simultaneously.

Advanced Troubleshooting:

⚠ WARNING: Serious bodily injury or death may occur if the following warnings are ignored.

- This following portion of this section is intended for use by a QUALIFIED ELECTRICIAN.
- All circuit breakers must be turned off at the main panel before the cover of the unit is removed.

This troubleshooting section will cover all the points that need to be checked from an electrical standpoint to ensure that the Hubbell tankless water heater is working correctly and to determine which component may need to be replaced.

Tools Required:

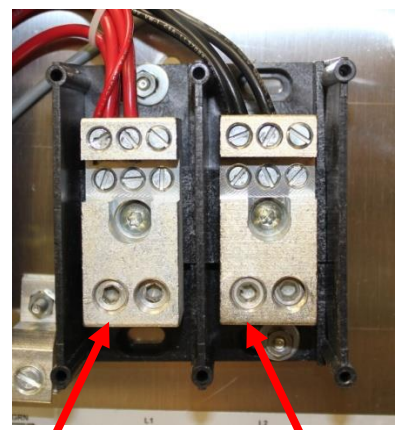
- Phillips screwdriver
- Clamp multi-meter able to read voltage and amperage (amperage readings require a clamp type meter).
- Thermometer

Pre-Operational Procedures:

1. With power to the unit turned ON, verify that the configuration settings are correct in accordance with the Temperature Controller User Interface Instructions in Section IV.
2. TURN OFF POWER AT THE MAIN PANEL.
3. Remove the cover by unscrewing the screws located at the top (2) and the bottom (4) of the unit.
4. Verify that the main power feed is properly connected to the power distribution block.
5. Verify all connections are tight.

Check the Power Supply to the unit:

1. Turn on power to the unit from the main panel.
2. Using the multi-meter probes with the setting at Volts – Alternating Current with a range 250+, place one probe on the lower screw of the left hand side (L1) of the power distribution block and the other probe on the lower screw of the right hand side (L2) of the power distribution block. A voltage reading in the appropriate range (either 208V or 240V) should be indicated.
3. Write down the voltages below:



L1

L2

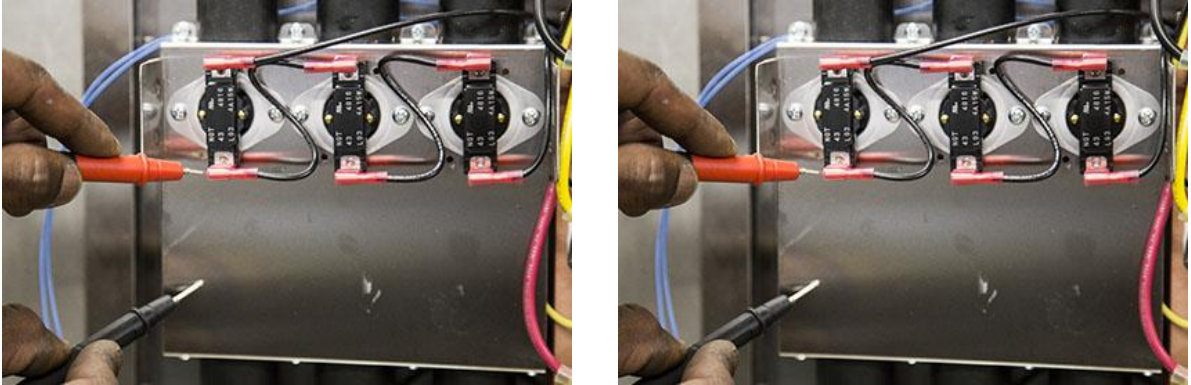
Volts from L1 to L2 _____

4. If no voltage is present, verify that the breakers or disconnect on the main panel have been turned on.
5. If the breakers are on and there is still no voltage present, contact an electrician to troubleshoot the feed.
6. If all voltage readings are acceptable, proceed to Check the Hi-Limit Thermostats.

Check the Hi-Limit Thermostats:

1. The unit is supplied with safety hi-limit thermostats mounted on the plate that holds the heating chamber in place. These thermostats allow the power from one phase of the terminal block to flow to the heating element. If the hi-limit thermostat fails it will not supply the heating element with power and therefore the heating element will not turn on and produce heat.
2. Using the multi-meter probes with the setting at Volts – Alternating Current with a range 250+, place one probe on the lower metal part of the thermostat and the other probe to the metal plate to ground the probe. If shrink-wrap is present around the

metal connection point to the hi-limit thermostat, cut back the shrink-wrap with a knife to expose the metal connection. A voltage reading around 120V should be indicated since this component is being fed by one leg of the electrical power coming off the terminal block. Perform this step on the bottom of each hi-limit thermostat then again on the top of each hi-limit thermostat.



3. Write down the voltages below:

Bottom

1. Volts _____ 2. Volts _____ 3. Volts _____

Top

1. Volts _____ 2. Volts _____ 3. Volts _____

4. If there is no voltage at the bottom of any hi-limit thermostat, then check the wiring and connections between that hi-limit thermostat and the power distribution block.
5. If correct voltage is present at the bottom of the hi-limit thermostat but no voltage is present at the top of the thermostat, then that hi-limit thermostat needs to be replaced.
6. If correct voltage is present on the top and bottom continue to Check the Thermistor.

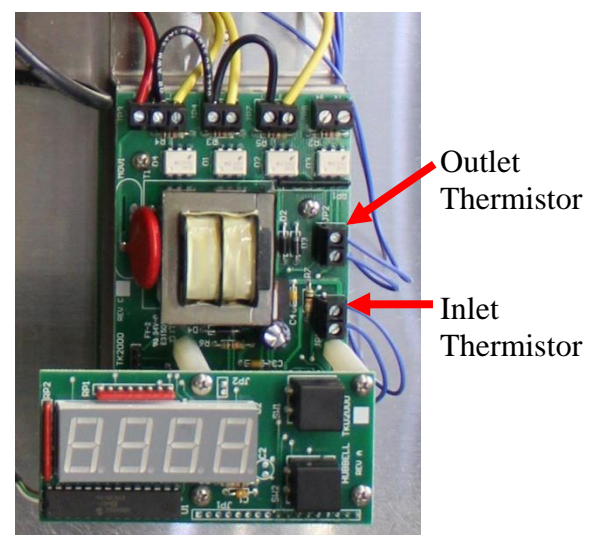
Check the Thermistor:

1. The thermistor is a temperature sensing device that changes resistance with changes in temperature. It is designed to register 150,000Ω at 25°C (77°F).
2. Set the unit to diagnostic mode by pressing and releasing the UP and DOWN buttons simultaneously.
3. With a thermometer, measure the temperature of the cold water and hot water at a fixture.
4. Write down the measured and displayed temperatures below:

Cold temp. _____ i#### _____ Hot Temp. _____ o#### _____

5. Compare the displayed inlet temperature (i####) to the measured cold water temperature and the displayed outlet temperature (o####) to the measured hot water temperature. If either of these readings are significantly different continue with step 6. Otherwise, proceed to Check the Flow Meter.

6. At the right hand side of the temperature controller are two terminal blocks. Disconnect the wires from the uppermost terminal block (outlet thermistor). Using the multi-meter probes with the setting at OHMS or Ω, place one probe on the end of one wire and the other probe on the end of the other wire. An ohms reading consistent with the chart below for the approximate temperature of the water should be indicated. NOTE: Alligator clips should be used. Holding the wires in your hands will give a false reading. Reconnect the wires.



7. Write down the resistance below:

Ohms _____

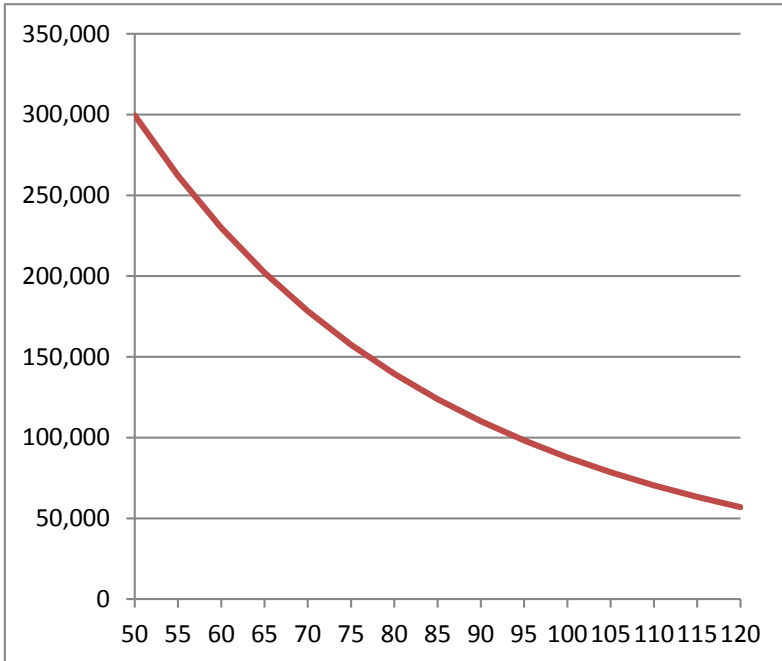
8. Repeat step 6 with the lower terminal block (inlet thermistor).

9. Write down the resistance below:

Ohms_____

10.If either of these readings is not consistent with the chart (within $\pm 10,000\Omega$), replace that thermistor.

11.If all ohms readings are acceptable, proceed to Check the Flow Meter.



Thermistor Chart (150,000Ω @ 25°C (77°F))

Temperature, °F (°C)	Ohms, Ω
50 (10.0)	299,516
55 (12.8)	262,075
60 (15.6)	229,905
65 (18.3)	202,188
70 (21.1)	178,244
75 (23.9)	157,506
80 (26.7)	139,501
85 (29.4)	123,829
90 (32.2)	110,157
95 (35.0)	98,201
100 (37.8)	87,723
105 (40.6)	78,519
110 (43.3)	70,418
115 (46.1)	63,273
120 (48.9)	56,957

Check the Flow Meter:

1. Set the unit to diagnostic mode by pressing and releasing the UP and DOWN buttons simultaneously.
2. Turn on a hot water tap preferably at the tub to ensure a good flow rate through the unit and write down the displayed flow rate (F##.#) below:

F##.#_____

3. If the flow rate is 00.0 then continue with step 4. Otherwise, proceed to Check the Temperature Controller.
4. Verify that the wiring from the flow switch is connected to the control board in the order **WHITE/GREEN/BROWN** from left to right.
5. With no flow on the unit, using the multi-meter probes with the setting at Volts – Direct Current, place one probe on the terminal block where the **WHITE** wire is connected (F1) and the other probe where the **BROWN** wire is connected (F3). A voltage reading in the appropriate range (5V) should be indicated.
6. Write down the voltage below:

Volts_____

7. If the voltage reading is not in the appropriate range (5V), replace the temperature controller.
8. Turn on a hot water tap preferably at the tub to ensure a good flow rate through the unit and using the multi-meter probes with the setting at Volts – Direct Current, place one probe on the terminal block where the **WHITE** wire is connected (F1) and the other probe where the **GREEN** wire is connected (F2). A voltage reading in the appropriate range (2.5V) should be indicated.
9. Write down the voltage below:

Volts_____

- 10.If the voltage reading is not in the appropriate range (2.5V), replace the flow meter.
- 11.If all voltage readings are acceptable, proceed to Check the Temperature Controller.

Check the Temperature Controller:

1. At the top of the temperature controller there are 4 sets of terminal blocks. Verify the wiring is correct as indicated in the wiring diagram specific to the model.
2. Check the voltage between the terminal block where the **BLACK** wire is connected (this will be the leftmost terminal) and the metal heater chamber cover. A voltage reading in the appropriate range (120V) should be indicated.
3. If no voltage is present, verify that the **BLACK** wire in the terminal block is properly tightened and verify that the opposite end, this will be a **RED** wire, is properly connected to the power distribution block, magnetic contactor, or transformer, as applicable.
4. Check the voltage between the terminal block where the **BLACK** wire is connected at the second terminal from the left and the metal heating chamber cover. A voltage reading in the appropriate range (120V) should be indicated. Repeat this step for each of the wires connected to the terminal blocks.
5. If no voltage is present, verify that the **BLACK** wire in the terminal block is properly tightened and verify that the opposite end, this will be a **RED** wire, is properly connected to the power distribution block, magnetic contactor, or transformer, as applicable.
6. If voltage is present where the black wires connect to the terminals and there is no display, replace the temperature controller.
7. Check the voltage between each additional wire from left to right and the metal heating chamber cover. A voltage reading in the appropriate range (one half of the incoming power voltage, i.e. if the incoming power is 480V, then the reading should be 240V) should be indicated.
8. If no voltage is present, verify that the **BLACK** wires in the terminal block are properly tightened and verify that the opposite ends of the **BLACK** wires are properly jumpered to the previous **BLACK** wire connection terminal or properly connected the magnetic contactor, as applicable.
9. Turn on a hot water tap at a fixture that will ensure a good flow rate through the unit and set the temperature at the highest setting so the unit calls for full power.
10. Check the voltage between the terminal block where the first **YELLOW** wire is connected from left to right and the metal heating chamber cover. A voltage reading in the appropriate range (one half of the incoming power voltage, i.e. if the incoming power is 480V, then the reading should be 240V) should be indicated. Repeat this step for each of the **YELLOW** wires.
11. If no voltage is present on any one of the **YELLOW** wires, replace the temperature controller.
12. If all voltage readings are acceptable, proceed to Check the Triacs (Step 1).

Check the Triacs (Step 1):

1. The triacs are the switching mechanism for turning the heating elements on and off.
2. Turn on a hot water tap at a fixture that will ensure a good flow rate through the unit and set the temperature at the highest setting so the unit calls for full power.
3. Check the voltage between the two wires that are connected to the top of the heating element. A voltage reading in the appropriate range (equal to the incoming line voltage) should be indicated.
4. If no voltage is present on any heating element, the triac connected to that element should be replaced.
5. If all voltage readings are acceptable, proceed to Check the Heating Elements.



Check the Heating Elements:

1. To check the heating element the amperage draw from each heating element must be verified. To do this the unit must be operating.
2. Turn on a hot water tap at a fixture that will ensure a good flow rate through the unit and set the temperature at the highest setting.
3. Using a clamp-on multi-meter, clamp the meter around one of the **RED** wires going to the lowest heating element. The reading should be as indicated ($\pm 5\%$) based on the specific model listed in the Electrical Specification table in the Installation section.
4. Repeat for all the heating elements.
5. If any amp reading is not within the range as indicated in the chart, that heating element should be replaced.
6. If all readings are within range continue to Check the Triacs (Step 2).



Check to Triacs (Step 2):

1. Turn off the flow of hot water.
2. Using the clamp-on multi-meter with the setting at Amps – Alternating Current, clamp the meter around the first, from right to left, of each **RED** wire that goes from the top of the safety hi-limit thermostat to the top of the heating element (same as in step 3 of Check the Heating Elements). The reading should be zero.
3. If any reading is not zero with the hot water turned off, then that triac should be replaced.

Contact the Factory:

1. If you were unable to determine the problem from the above troubleshooting, please have the electrician contact the factory.

SECTION VI – SERVICING & REPLACEMENT OF PARTS

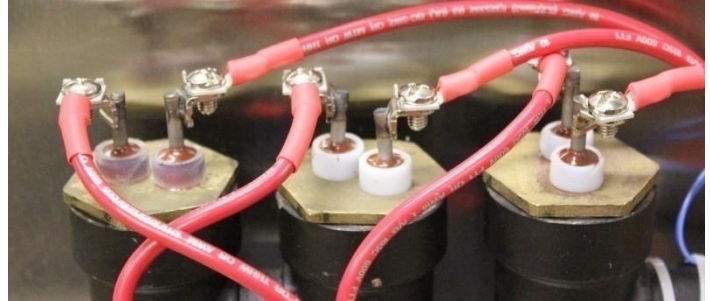


WARNING: Serious bodily injury or death may occur if the following warnings are ignored.

- This following portion of this section is intended for use by a **QUALIFIED ELECTRICIAN OR PLUMBER**.
- All circuit breakers must be turned off at the main panel before the cover of the unit is removed.
- When any maintenance is performed on the water heater that may introduce air into the unit, it is important to purge the air out of the lines before allowing the unit to power up. See Checking for Leaks and Purging Air in Section III.

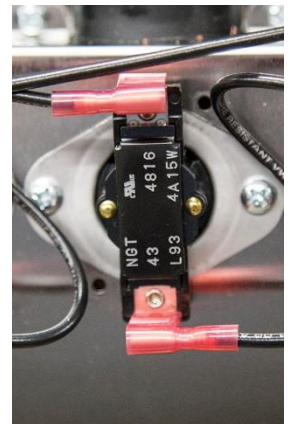
Heating Element:

- Disconnect power.
 - Shut off cold water inlet and hot water outlet valves.
 - Drain unit.
 - Remove cover.
 - Disconnect the **RED** power leads from the top of the element to be replaced.
 - Unscrew the element from the heating chamber coupling.
 - Install the replacement heating element by screwing it into the heating chamber coupling.
- NOTE: Verify that the o-ring is installed onto the heating element prior to installation.
- Re-connect the power leads to the element terminals.
 - Re-install cover.
 - Open the cold water inlet and hot water outlet valves.
 - Bleed air from the unit. See Checking for Leaks and Purging Air in Section III.
 - Turn on power.



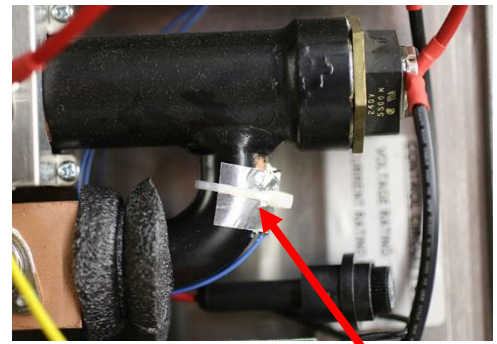
Hi-Limit Switch:

- Disconnect power.
 - Remove cover.
 - Disconnect the **RED** power leads from the heating element and power distribution block that connect to the hi-limit switch to be replaced.
- NOTE: The replacement hi-limit switch comes with power leads attached. Power leads should not be disconnected from the hi-limit switch.
- Remove the two (2) screws securing the hi-limit switch to the heating chamber cover.
 - Remove the hi-limit switch.
 - Spread a pea sized amount of the conductive thermal paste included with the replacement kit on the back of the hi-limit switch (the portion to be installed against the heating chamber tube).
 - Install the hi-limit switch to the heating chamber cover with the two (2) screws previously removed.
 - Connect the power leads to the heating element and the power distribution block.
 - Re-install cover.
 - Turn on power.



Inlet Thermistor:

- Disconnect power.
- Remove cover.
- Disconnect inlet thermistor wires from the controller.
- Cut the tie-wrap securing the inlet thermistor to the inlet pipe and remove the inlet thermistor.
- Spread a pea sized amount of the conductive thermal paste included with the replacement kit on the inlet pipe where the replacement inlet thermistor is to be installed.
- Secure the inlet thermistor to the inlet pipe with a new tie-wrap.
- Connect the inlet thermistor wires to the controller.
- Re-install cover.
- Turn on power.

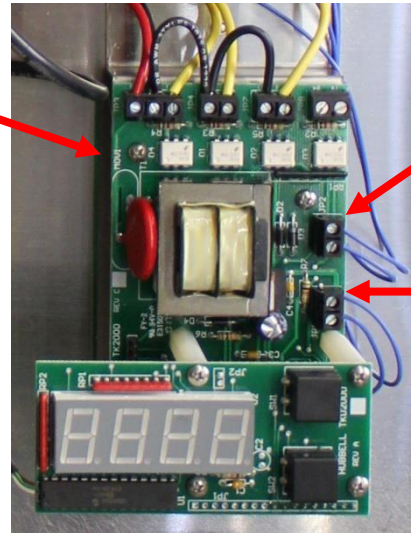


Inlet Thermistor

Outlet Thermistor:

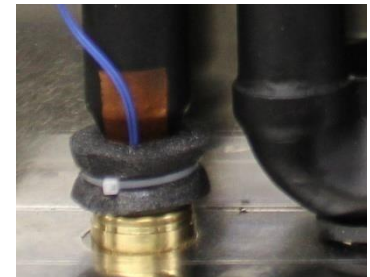
- Disconnect power.
- Remove cover.
- Disconnect outlet thermistor wires from the controller.
- Cut the tie-wrap securing the outlet thermistor insulation.
- NOTE: Save the insulation to cover the replacement outlet thermistor.
- Remove the aluminum tape securing the outlet thermistor and remove the outlet thermistor.
- Spread a pea sized amount of the conductive thermal paste included with the replacement kit on the outlet pipe where the replacement outlet thermistor is to be installed.
- Secure the outlet thermistor to the outlet pipe with a new piece of aluminum tape. Position the outlet thermistor such that the wires are facing towards the top.
- Secure the outlet thermistor insulation around the outlet thermistor with a new tie-wrap.
- Connect the outlet thermistor wires to the controller.
- Re-install cover.
- Turn on power.

Temperature Controller



Outlet Thermistor

Inlet Thermistor

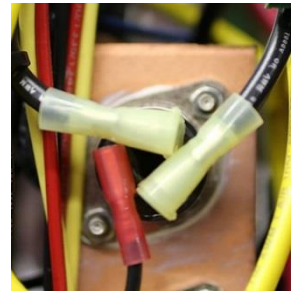


Temperature Controller:

- Disconnect power.
- Remove cover.
- Mark the wires going to the controller so they can be re-connected in the same places upon replacement.
- Disconnect all the wires from the controller.
- NOTE: The display may need to be removed to access the wires from the flow meter. The display can be removed by removing the four (4) screws securing the display to the controller standoffs and then pulling the display from the socket.
- Remove the two (2) screws securing the temperature controller to the controller stand.
- Install the replacement controller with the two (2) screws removed in the last step.
- Re-connect the wires to the temperature controller in the same locations they were previously disconnected from.
- Re-install cover.
- Turn on power.

Triac:

- Disconnect power.
- Remove cover.
- Disconnect the wire from the heating element, the wire from the power distribution block or magnetic contactor (as applicable), and the wire from the controller for the triac to be replaced.
NOTE: Replacement triacs come with replacement wires attached.
- Remove the two (2) nuts securing the triac to the heatsink and remove the triac.
- Spread a pea sized amount of the conductive thermal paste included with the replacement kit on the back of the triac to be installed.
- Install the replacement triac to the heatsink with the two (2) nuts removed previously.
- Connect the **RED** wire to the heating element, the **BLACK** wire to the power distribution block or magnetic contactor (as applicable), and the **YELLOW** wire to the controller.
- Re-install cover.
- Turn on power.



Flow Meter:

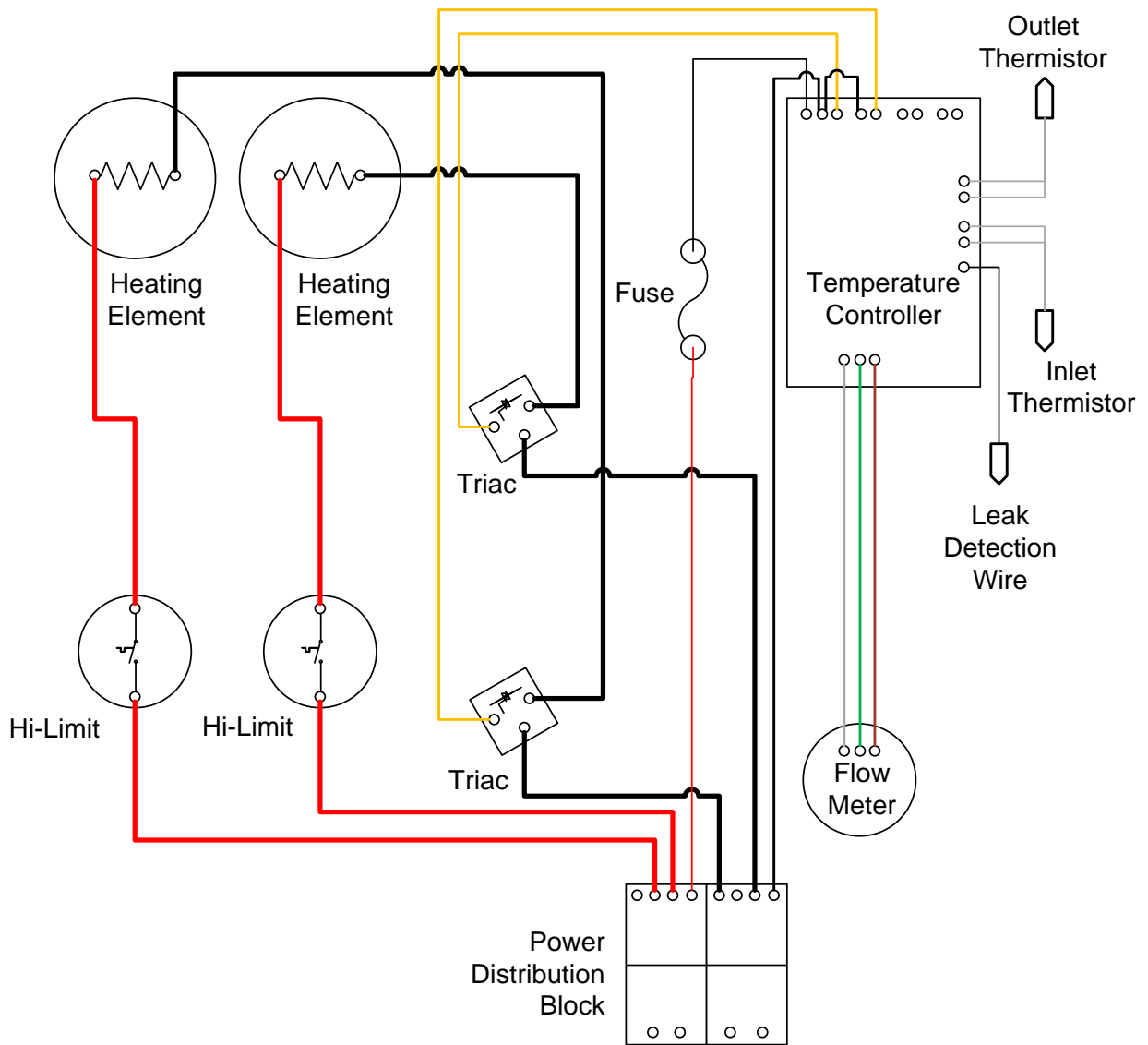
- Disconnect power.
- Shut off cold water inlet and hot water outlet valves.
- Drain unit.
- Remove cover.
- Disconnect the flow meter wires from the controller.
NOTE: The display may need to be removed to access the wires from the flow meter. The display can be removed by removing the four (4) screws securing the display to the controller standoffs and then pulling the display from the socket.
- Disconnect the cold water supply pipe from the quick-connect fitting. See Disconnecting a Joint in Section III.
- Unscrew the quick-connect and coupling assembly from the flow meter.
- Unscrew the flow meter from the inlet pipe.
- Screw the replacement flow meter into the inlet pipe.
NOTE: Pipe dope must be used to seal the connection.
- Screw the quick-connect and coupling assembly into the replacement flow meter.
NOTE: Pipe dope must be used to seal the connection
NOTE: When installing flow meter make sure arrow is pointing in the direction of the water flow (towards triac plate).
- Re-connect the cold water inlet piping to the quick-connect connector. See Installation of Quick-Connect Fitting in Section III.
- Connect the flow meter wires to the controller. From left to right, **WHITE / GREEN / BROWN**.
- Re-install cover.
- Open the cold water inlet and hot water outlet valves
- Bleed air from the unit. See Checking for Leaks and Purging Air in Section III.
- Turn on power.



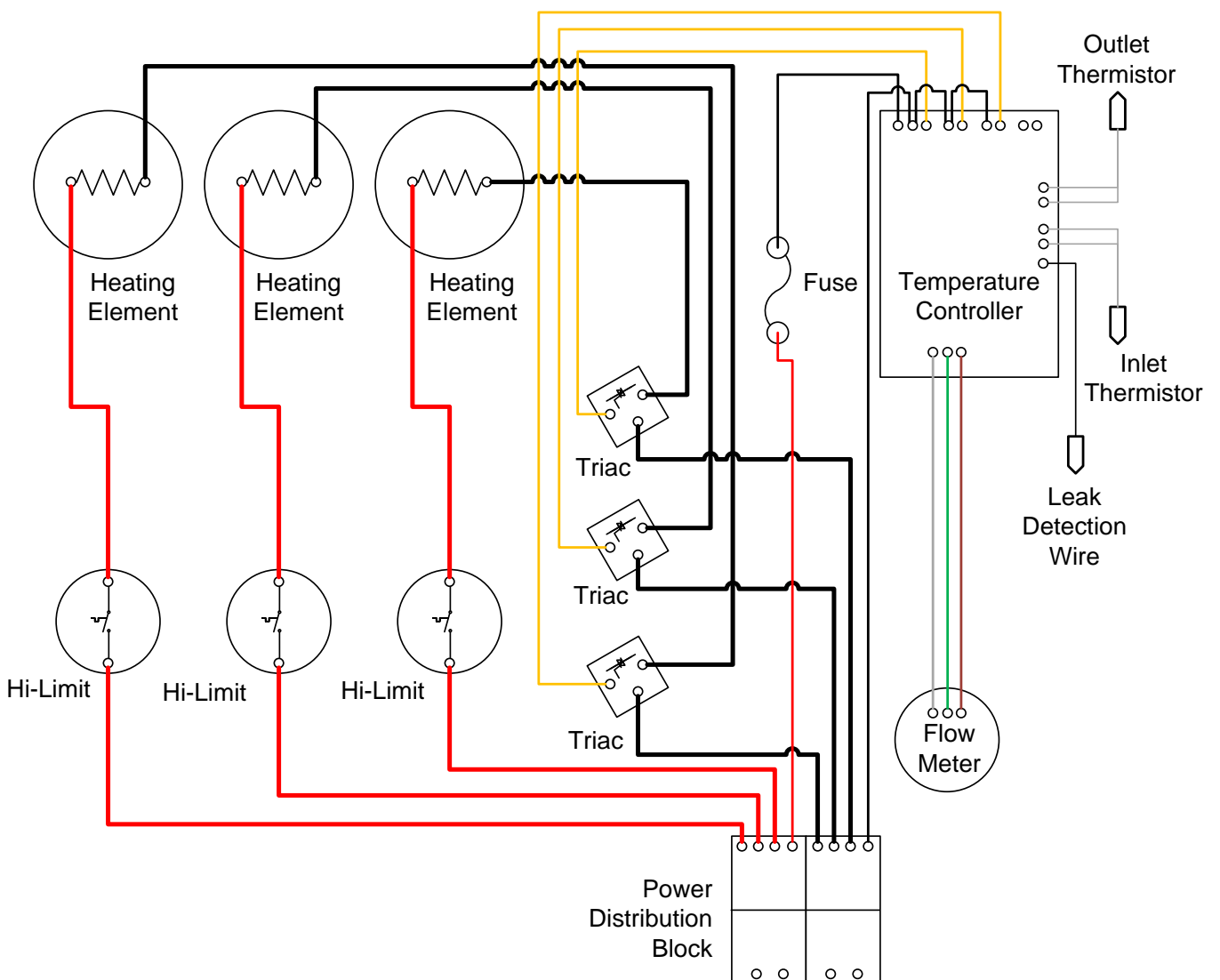
Control Fuse:

- Disconnect power.
- Remove cover.
- Twist fuse and pull from fuse holder.
- Insert new fuse in holder and twist to lock in place.
- Reinstall cover.
- Turn on power.





Wiring Diagram – Models 110-2, 145-2, 165-2, 180-2



Wiring Diagram – Models 220-3, 240-3, 280-3

SECTION VII – PARTS LIST

Category	Description	Hubbell P/N
Plumbing	Quick-Connect -Inlet, 3/4" C x 3/4" MNPT	U134
	Quick-Connect-Outlet 3/4" C x 3/4" C	U016
	Heating Chamber: 2 Element	TK2-FM
	Heating Chamber: 3 Element	TK3-FM
	Bell Coupling 3/4" FNPT x 1/2" FNPT	COUPBELL 1/2" TO 3/4"
	Filter Screen for Inlet	SCREEN TK
Triac	Triac (Supplied with wire leads)	TG40E60
Elements (with O-ring)	4500 Watts, 8.5" long	N1315-4500
	5500 Watts, 8.5" long	N1315-5500
	7000 Watts, 12" long	N1315-7000
	8000 Watts, 12" long	N1375-8000
	9000 Watts, 12" long	N1375-9000
	Extra O-Ring	O RING SGB
Electrical	Thermistor (Supplied with wire leads)	USP9509
	Auto Resetting Hi-Limit 140°F (Supplied with wire leads)	L60
	Temperature Control Board	TK2000
	Digital Display	TKD2000
	Power Distribution Block: 2 Pole	67512
	Flow Meter (1/2" NPT, 0.2-8 GPM)	TK FLOW BR
	Control Fuse	LGR-3
Wire	Wire #18 (Specify COLOR: Yellow, Red, Black)	WIRE 18 "COLOR"
	Wire #10 (Specify COLOR: Red, Black)	WIRE 10 "COLOR"
Miscellaneous	Front Metal Cover for 2 Element Models	TK100 COVER
	Metal Base for Model 2 Element Models	TK100 BACK
	Front Metal Cover for 3 Element Models	TK200 COVER
	Metal Base for Model 3 Element Models	TK200 BACK
	Overlay cover for TKD2000	TANKLESS OVERLAY

Element Resistance Chart

Element P/N	Watts	Volts	Ohms		
			Min.	Nom.	Max.
N1315-4500	4500	240	12.16	12.80	13.44
N1315-5500	5000	240	10.94	11.52	12.10
N1315-7000	7000	240	7.82	8.23	8.64
N1375-8000	8000	240	6.84	7.20	7.56
N1375-9000	9000	240	6.08	6.40	6.72

SECTION VIII – WARRANTY

MANUFACTURER’S LIMITED WARRANTY

1. PRODUCT WARRANTY: Hubbell warrants to the original purchaser at the original address or the authorized transferee of such purchaser (collectively, the “Buyer”) the Hubbell Tankless Water Heater and its components as manufactured by Hubbell (the "Product") to be free from defects in materials and workmanship, under normal use and service for the period of time identified below beginning from the date of installation, provided that the Product is (i) installed within sixty (60) days from date of shipment from Hubbell and (ii) installed by a licensed electrician and plumber (*specific proof required*) and maintained in accordance with Hubbell's written instructions. In order for the Product warranty to become effective, the original purchaser must submit via fax, mail or website the Warranty Registration included in the Operating and Maintenance Manual supplied with each new Product.

HEATING CHAMBER:	Five (5) years
ELECTRICAL COMPONENTS:	One (1) year
REPLACEMENT PARTS:	Thirty (30) days
REFURBISHED HEATERS:	One (1) year heating chamber and electrical components

SUCH WARRANTIES DO NOT COVER:

- Product failure caused by liming, sediment buildup, chemical corrosion, chlorine/chloride corrosion, or freezing.
- Product failure caused by the failure to remove air from system prior to or during operation.
- Product misuse, tampering or misapplication, accidental damage, improper installation or the application of improper voltage.
- Costs incurred for shipping, delivery, handling, and/or administrative charges.
- Product failure due to lightening, flood or other natural or manmade calamities.
- Labor charges of any kind.

THE FOREGOING WARRANTIES ARE EXCLUSIVE AND IN LIEU OF ANY OTHER WARRANTY, EXPRESSED OR IMPLIED, INCLUDING BUT NOT LIMITED TO ANY IMPLIED WARRANTY OF MERCHANTABILITY OR FITNESS FOR A PARTICULAR PURPOSE OR PATENT OR OTHER INTELLECTUAL PROPERTY RIGHT INFRINGEMENT.

Warranty Transfer Information: The warranty may be transferred to one (1) subsequent homeowner at the same physical address upon payment to Hubbell of a \$75.00 U.S. dollar transfer fee. Said transfer fee and second owner information must be submitted by Certified Mail within 7 days of the house sale closing or there will be no further warranty extended under any circumstances. Failure of original owner to provide 2nd owner with information in a timely fashion will not alter the requirements of this paragraph.

2. LIMITATION OF REMEDIES AND DAMAGES: Hubbell's liability and Buyer's exclusive remedy hereunder will be limited solely, at Hubbell's option, to repair or replacement by the Hubbell Service Center with respect to any claim made within the applicable warranty period referred to above. Without limiting the generality of the foregoing, all warranty items shall be returned by Buyer, at its sole expense, to the Hubbell Service Center for replacement or repair. Hubbell reserves the right to accept or reject any such claim in whole or in part. Hubbell will not accept the return of any product without prior written approval from Hubbell, and all such approved returns shall be made at Buyer's sole expense. HUBBELL WILL NOT BE LIABLE, UNDER ANY CIRCUMSTANCES, FOR CONSEQUENTIAL OR INCIDENTAL DAMAGES, INCLUDING BUT NOT

LIMITED TO LABOR COSTS OR LOST PROFITS RESULTING FROM THE USE OF (OR INABILITY TO USE) THE PRODUCTS OR FROM THE PRODUCTS BEING INCORPORATED IN OR BECOMING A COMPONENT OF ANY OTHER PRODUCT OR GOODS.

WARRANTY REGISTRATION

3. WARRANTY REGISTRATION: To be covered under the Hubbell Manufacturer’s Limited Warranty you must register your product within 30 calendar days of delivery. Warranty registration using the form below may be submitted via mail to Hubbell Electric Heater Co., P.O. Box 288, Stratford, CT 06615-0288, or via fax 203-378-3593, or via the link on the website for Warranty Registration, www.buytankless.com/warranty. THIS IS A LIMITED MANUFACTURER’S WARRANTY THAT CONVEYS BENEFITS TO THE ORIGINAL PURCHASER, SUBJECT TO THE TERMS AND CONDITIONS SET FORTH HEREIN. Keep your Product documents in a safe and secure location. Your obligation under the terms of purchase and sale require that you must return your warranty card within the prescribed timeframe (within 30 calendar days) and retain all proof of purchase, installer receipts for your warranty in order to protect your rights and obtain Manufacturer’s Limited Warranty benefits. The warranty resides with the Buyer with proof of purchase not simply with an individual in possession of a Product. If the heater is to be installed in new construction at a date later than 30 days from the date of delivery, send further information when known so we may update your warranty record.

Product Information:

Model No.: _____ Serial No.: _____

Purchaser’s Information:

Name of Purchaser: _____

Installation Address: _____

City: _____ State: _____ Zip: _____ Date of Purchase: _____

Electrician Information:

Plumber Information:

Name: _____

Name: _____

Company: _____

Company: _____

Telephone: _____

Telephone: _____

License #: _____

License #: _____

4. FURTHER LIMITATIONS AND EXCLUSIONS AFFECTING YOUR

WARRANTY: This warranty is void if the product is not installed in accordance with relevant, local electrical and plumbing codes and in accordance with the installation instructions specified by the manufacturer. Local codes will override manufacturer’s instructions at the time of installation and if additional installation parts are required, the costs will be the responsibility of Buyer. Product nameplate identifying the model and serial number must be affixed to the unit and legible for the warranty to be exercised. Product without the nameplate is excluded from warranty consideration. Above ground level installations must be protected with drip pans and drains just as the codes call for protective requirements used in regular hot water tank installations. Buyer hereby accepts the entire responsibility for ascertaining whether they have sufficient electrical power at their residence to operate our Tankless Water heaters as indicated in our specifications which are

readily available at our website, in our brochures and contained in the shipping box for installers to read before installation. If Buyer has purchased without first ascertaining the cost for installation or the necessary power available for operation, Hubbell at its sole and complete discretion may allow a return and grant a refund less freight and less 30% of the retail price as a restocking fee. The refund will be conditioned upon a determination by Hubbell after inspection of the Product being returned (either unopened or in the original shipping box and packing) that the Product has not been damaged. This request and for this reason only must be made within 30 calendar days of receipt of the Product.

AFTER 30 CALENDAR DAYS FROM DATE OF PURCHASE THERE WILL BE NO RETURNS WHATSOEVER. BUYER ACCEPTS ALL SALES AS FINAL. ANY ALTERATION TO THE PRODUCT VOIDS ALL WARRANTIES. HUBBELL IS NOT RESPONSIBLE FOR ANY OTHER CHARGE OR EXPENSE INCURRED OTHER THAN THE ORIGINAL PURCHASE PRICE OF THE PRODUCT. Hubbell shall not be liable for consequential, special, incidental or contingent expenses or damages arising directly or indirectly from any defect in or use of the Product nor will Hubbell be liable for any water damage arising directly or indirectly from the use of the Product or from the failure of or defect in any component part or connecting plumbing. Hubbell and Buyer agree to these and the above terms in their entirety and accept all sales as final without recourse to a credit card company and hereby agree that this Manufacturer's Limited Warranty shall be governed by the laws of the State of Connecticut any and all actions arising from or relating to this Manufacturer's Limited Warranty and any aspects of the Product shall be brought in a court of competent jurisdiction in Fairfield County, Connecticut.

WARRANTY PROCEDURE

5. PARTS REPLACEMENT PROCEDURE (Under Warranty within 3 Years): Have your licensed electrician determine the exact parts that are defective and require replacement. Please note that technical support is available for qualified technicians only (licensed electricians and/or plumbers). Technical support that involves potentially dangerous electrical conditions is not available to an unqualified person.

When contacting Hubbell, please be sure that the technician has the following information on hand:

- Copy of your original Warranty Registration.
- Be sure that the technician has read the "Operation and Maintenance Manual" and has written down all the data from the Advanced Troubleshooting Section.

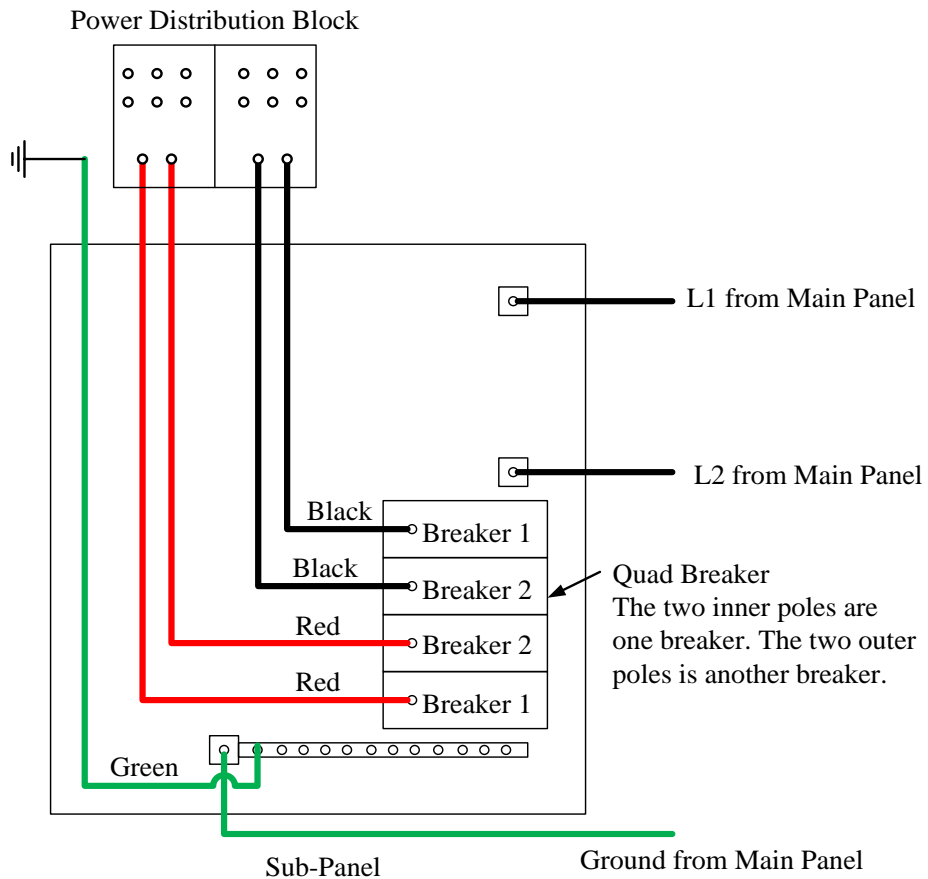
If, at the sole discretion of Hubbell, a component requires repair or replacement under the terms of this Manufacturer's Limited Warranty, the part must be purchased and paid for under our "Bill and Credit" terms and will be shipped via standard ground delivery. All shipping charges are not included and are the responsibility of the Buyer. If faster shipping service is desired, the Buyer must select and pay for same.

The replacement part purchased under our "Bill and Credit" terms is purchased via credit card and upon return of the defective parts Hubbell will determine the cause of failure, and if under warranty will issue a full credit less shipping charges. The returned part must be received by Hubbell within thirty (30) days of shipment of the replacement part. Hubbell will evaluate the returned part within ten (10) days, and if determined to be defective and covered under terms of this warranty, full credit for the part will be issued.

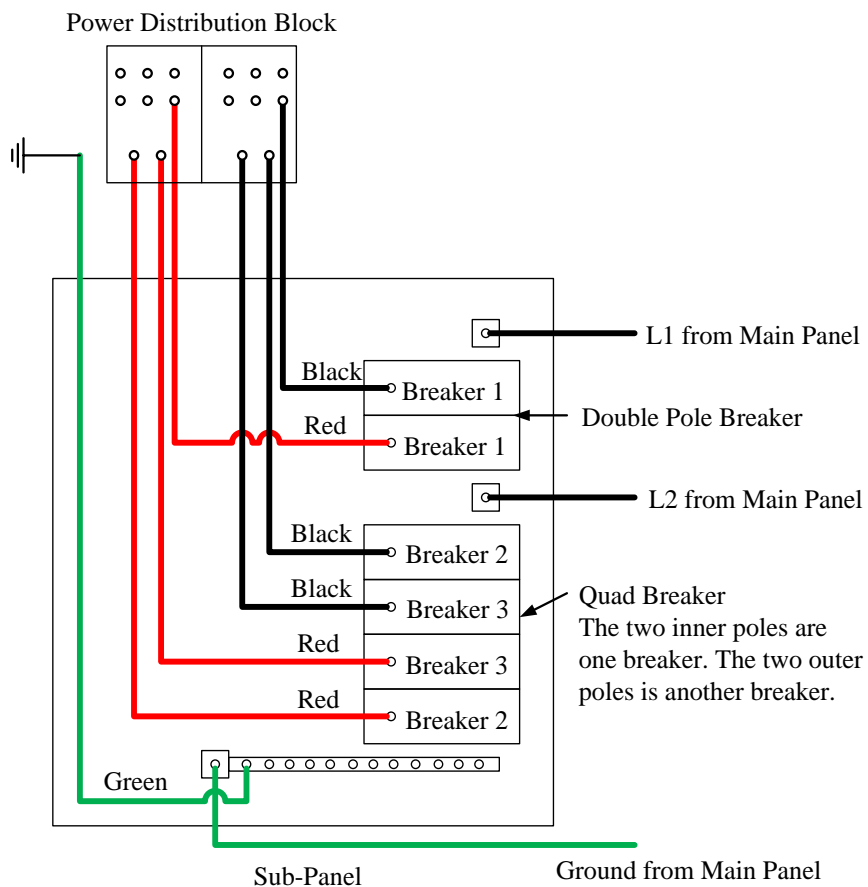
Return warranty parts to: Hubbell Electric Heater
ATTN: Tankless Warranty
45 Seymour Street
Stratford, CT 06615

APPENDIX I – SUB-PANEL WIRING DETAILS

Refer to the following wiring details when your new Hubbell Tankless Water Heater is to replace an existing tankless water heater that utilizes a sub-panel with circuit breakers and you are keeping the existing sub-panel.



2-Element Diagram



3-Element Diagram

NOTES

NOTES

NOTES



P.O. BOX 288
STRATFORD, CT 06615-0288
PHONE: (877) 649-8589
FAX: (203) 378-3593
INTERNET: <http://www.buytankless.com>