



# OPERATION AND MAINTENANCE MANUAL

## ENDURANCE SERIES SE

6/29/23



**-IMPORTANT-**

**Always reference the full model number and serial number when calling the factory.**

HUBBELL ELECTRIC HEATER COMPANY  
45 SEYMOUR STREET  
STRATFORD, CT 06615

PHONE: (203) 378-2659  
FAX: (203) 378-3593  
[Hubbellheaters.com](http://Hubbellheaters.com)

# Contents

<b>SECTION I - GENERAL DESCRIPTION AND CONSTRUCTION</b> .....	3
GENERAL DESCRIPTION.....	4
CONSTRUCTION .....	4
TANK CONNECTIONS.....	4
HEATING ELEMENT .....	4
CONTROL THERMOSTAT .....	5
TEMPERATURE HIGH LIMIT SWITCH.....	5
MAGNETIC CONTACTOR .....	6
OUTER SHELL AND INSULATION .....	6
<b>SECTION II – INSTALLATION</b> .....	8
WATER HEATER PLACEMENT .....	8
PIPING INSTALLATION .....	8
FILLING THE HEATER .....	9
ELECTRICAL INSTALLATION .....	9
FINAL CHECKS.....	9
<b>SECTION III – SCHEDULED MAINTENANCE AND OPERATION</b> .....	10
MAINTENANCE AND OPERATION .....	10
FREEZING.....	10
QUARTERLY INSPECTION .....	10
ANNUAL INSPECTION.....	11
<b>SECTION IV TROUBLE SHOOTING</b> .....	12
<b>SECTION V - SERVICING &amp; REPLACEMENT OF PARTS</b> .....	14
SURFACE TEMPERATURE HIGH LIMIT CUT OFF .....	14
IMMERSION TEMPERATURE HIGH LIMIT CUT-OFF .....	15
HEATING ELEMENT .....	16
SURFACE MOUNTED THERMOSTAT.....	18
RELIEF VALVE.....	20
<b>SECTION VI – MISCELLANEOUS CHARTS AND FORMULAS</b> .....	21
ELEMENT CHART .....	21
FORMULAS .....	21
Torque Values .....	22

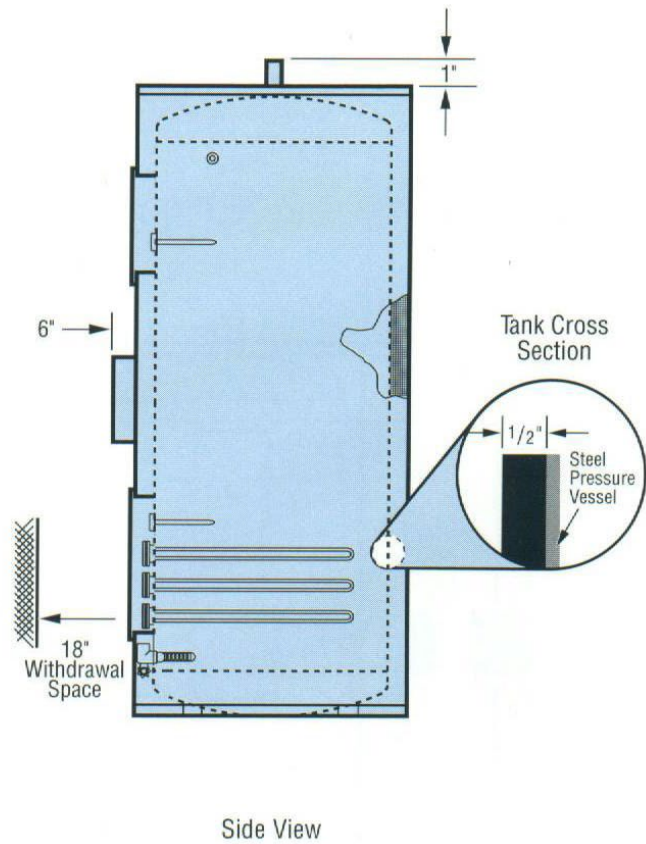
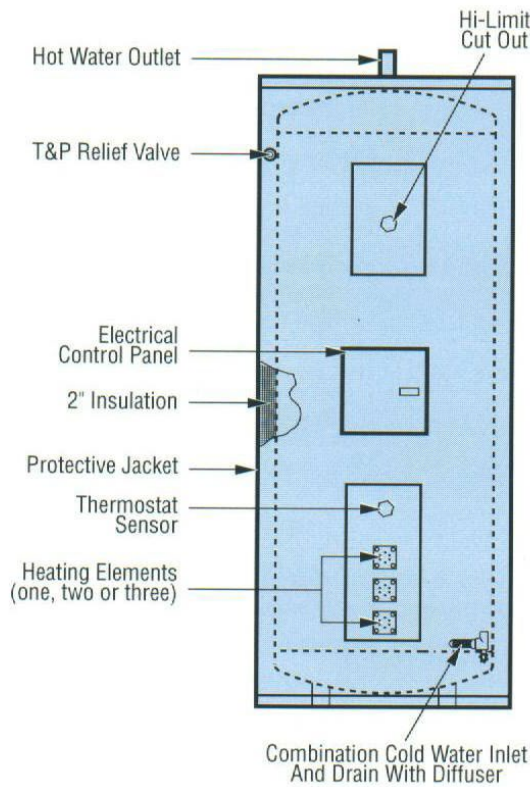
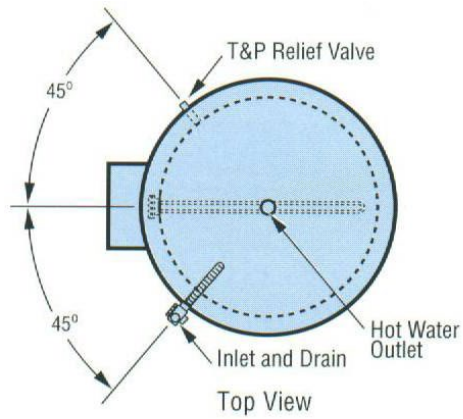
## WARNING / CAUTION

1. Tank is to be completely filled with water and all air is to be vented before energizing.
2. Due to the rigors of transportation, all connections should be checked for tightness before the heater is placed in operation.
3. Safety relief valve must be installed in tapping provided.
4. The refractory material used in heating elements may absorb some moisture during transit, periods of storage, or when subjected to a humid environment. This moisture absorption results in a cold insulation resistance of less than one (1) megohms. If this heater has been subjected to the above condition, each heating element must be checked for insulation resistance before energizing. A low megohm condition can be corrected by removing the terminal hardware and baking the element in an oven at 300°F -500°F for several hours or until the proper megohm reading is obtained.
5. **KEEP AWAY FROM LIVE ELECTRICAL CIRCUITS.**  
Do not perform any maintenance, make any adjustments, or replace any components inside the control panel with the high voltage power supply turned on. Under certain circumstances, dangerous potentials may exist even when the power supply is off. To avoid casualties, always turn the power supply safety switch to off, turn the charge or ground the circuit before performing any maintenance or adjustment procedure.
6. The unit is designed to operate at pressure not more than 150 psi.
7. Generalized instructions and procedures cannot anticipate all situations. For this reason, only qualified installers should perform the installations. A qualified installer is a person who has licensed training and a working knowledge of the applicable codes, regulations, tools, equipment, and methods necessary for safe installation of an electric resistance water heater. If questions regarding installation arise, check your local plumbing and electrical inspectors for proper procedures and codes. If you cannot obtain the required information, contact the company.

# SECTION I - GENERAL DESCRIPTION AND CONSTRUCTION

## MODEL SE DIMENSIONAL DATA

Storage Capacity (Gallons)	Base Model Number	Maximum KW Input	Dimensions (Inches)			
			Diameter	Height	Floor to Inlet	Floor to T&P
6	SE06	3	14	17.5	5	12
10	SE10	10	20	21	7	15
20	SE20	10	20	33	7	27
30	SE30	20	20	41.5	7	34
40	SE40	20	20	58.75	7	51
50	SE50	58	22.75	51	7	43
65	SE65	58	26	48	8	40
80	SE80	58	26	58	8	51
100	SE100	58	26	69.5	8	62
120	SE120	58	28	69.25	8	62
40	SEU40	58	26	33	7	24



## GENERAL DESCRIPTION

This book describes a packaged electric water heater that is a stationary, self-contained unit. The complete assembly consists of the storage tank, immersion electric heating element(s), thermostat, safety relief valve, safety high temperature cut out, magnetic contactor(s), and any other required electrical operating control. Optional equipment may be supplied with your unit. Please consult the product drawing for details specific to your assembly. The unit is factory assembled, insulated, jacketed, wired, tested, and ready for electrical and plumbing service connections.

## CONSTRUCTION

### TANK

#### **Standard Tank Construction:**

The standard storage tank is constructed of steel and internally lined with specially formulated HydraStone cement to a ½-inch minimum thickness. The tank is designed for a maximum allowable working pressure of 150 psi (300 psi TP).

#### **Optional Tank Construction:**

Optionally, the storage tank may be constructed of all welded solid copper-silicon alloy (ASTM B-96) or type 316L stainless steel for maximum tank longevity. For these options, no internal lining is required due to the non-ferrous materials used in the construction of the pressure vessel. The tank is designed for a maximum allowable working pressure of 150 psi (300psi TP).

### TANK CONNECTIONS

The heater is supplied with separate cold water and hot water connections. Water entering the cold-water inlet is deflected by means of a baffle within the tank. The hot water outlet includes a built-in heat trap to prevent hot water from radiating out from the heater. A ¾-inch FNPT connection is located on the side of the heater for mounting a combination safety temperature and pressure relief valve. An overflow line should be installed from the relief valve outlet to a floor drain. A ¾-inch GHT connection is supplied for draining. See the drawing specific to your heater for locations and sizes.

### HEATING ELEMENT

The water heater is supplied with an electric immersion heating element assembly(s), composed of incoloy sheathed elements that are brazed into a brass flange. Each assembly is fastened to a corresponding tank flange using a gasket and four (4) 3/8-16 x 1-inch-long hex head steel bolts and nuts. See the drawing specific to your heater for voltage and power ratings.



**CONTROL THERMOSTAT**

The water heater is supplied with either a surface mounted or immersion thermostatic switch that is installed and wired at the factory. See the drawing for specific details. The surface mounted thermostat can be adjusted through a range of 110° - 170° F. The immersion thermostat can be adjusted through a range of 100° - 190° F. Both thermostats are adjustable with a flat tip screwdriver.



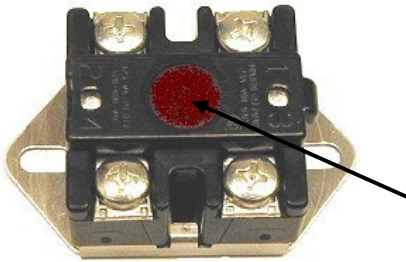
Surface Mounted Thermostat



Immersion Thermostat

**TEMPERATURE HIGH LIMIT SWITCH**

As a safety device, either a surface mounted high temperature cut-off switch with manual reset, factory set at 190° F, or an immersion high temperature cut-off switch with manual reset, factory set at 180° F, is provided. In the event of an over-temperature condition, the thermostat will disengage the operating coils in the magnetic contactor(s). The high limit must be manually reset thereafter to restart the heater.



Manual

Surface Mounted High Temperature Cut-Off Switch



Immersion High Temperature Cut-Off Switch

## MAGNETIC CONTACTOR

The magnetic contactor(s) is a heavy-duty resistive load type rated for 100,000 cycles. The contactor supplies power to the heating element(s) and is sized based on the resistive load (non-inductive) rating of the circuit. The contactor supplies power only when the thermostatic switch is engaged, thereby pulling in the contacts until the desired temperature is reached. At this point, the contacts will drop out, which in turn disconnects power from the elements.



## OUTER SHELL AND INSULATION

The tank is encapsulated in 2-inch-thick polyurethane foam insulation. The insulation is protected by a high impact non-corroding colorized composite protective jacket.

## OPTIONS

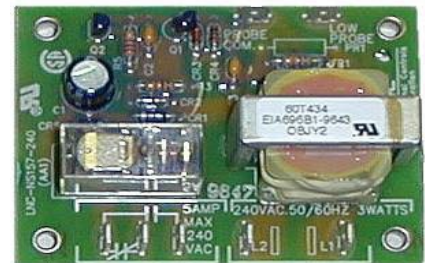
The following optional features may be included in your water heater. Reference included drawing specific to your heater for further details.

### **Low Water Cut-Off**

Used as a safety device, the electronic low water cut-off is used to detect a low water situation and disengage the operating coils in the magnetic contactor(s). Once the condition is remedied, the low water cut-off switch is automatically reset.



Low Water Cut-Off Probe



Low Water Cut-Off Relay

### **Fused Low Voltage Transformer**

A fused low voltage transformer may be supplied. This option is used to step down higher voltages to 120-volt for the control circuit.



### Dial Temperature and Pressure Gauge

A combination temperature (70° - 250° F) and pressure (0 – 200 psi) gauge with 2½-inch dial may be supplied for in-line installation (shipped loose) or factory installed in the tank.



### Vacuum Relief Valve

A vacuum relief valve may be provided with the unit to reduce the risk of back siphonage and back pressure of the system. The valve will be shipped loose for in-line installation. Instructions for installation are provided with the valve.



### On/Off Switch

A built-in non-fused On/Off disconnect switch may be supplied with the control panel to disconnect power to the control panel control and power circuit wiring.

### Individually Fused Elements

To prevent the possibility of damage to circuits and elements in case of electrical overloads, fuses may be supplied for each circuit. Two types of fuses may be used: a type NON for voltages less than 250-volt or type JJS for voltages less than 600-volt.



### Built-in Circuit Breaker

A built-in circuit breaker may be provided with or without shunt trip protection for protection from circuit overload.

### Horizontal Construction

The unit can be designed for horizontal installation, either ceiling hung or base mounted.

### Building Management System (BMS)

A Building Management System control package may be supplied for remote operation and alarm capabilities.

### Electro-Mechanical Timer

An electro-mechanical 7-day time clock with battery back-up may be supplied for specific timing operations. A set of instructions will be supplied with the timer.



## SECTION II – INSTALLATION

### **WARNING**

DO NOT TURN ON THE ELECTRIC POWER SUPPLY to this equipment until the heater is **completely filled with water and all air has been released**. *If the heater is NOT filled with water when the power is turned on the heating elements will burn out.*

For protection against excessive pressures and temperatures, local codes require the installation of a temperature-and-pressure (T&P) relief valve certified by a nationally recognized laboratory that maintains periodic inspection of production of listed equipment of materials, as meeting the requirements for Relief Valves and Automatic Gas Shutoff for Hot

Water Supply Systems. ANSI Z21.22-1971. THE CUSTOMER IS RESPONSIBLE TO PROTECT PROPERTY AND PERSONNEL FROM HARM WHEN THE VALVE FUNCTIONS.

All water heaters have a risk of leakage at some unpredictable time. IT IS THE CUSTOMER'S RESPONSIBILITY TO PROVIDE A CATCH PAN OR OTHER ADEQUATE MEANS, SO THAT THE RESULTANT FLOW OF WATER WILL NOT DAMAGE FURNISHINGS OR PROPERTY.

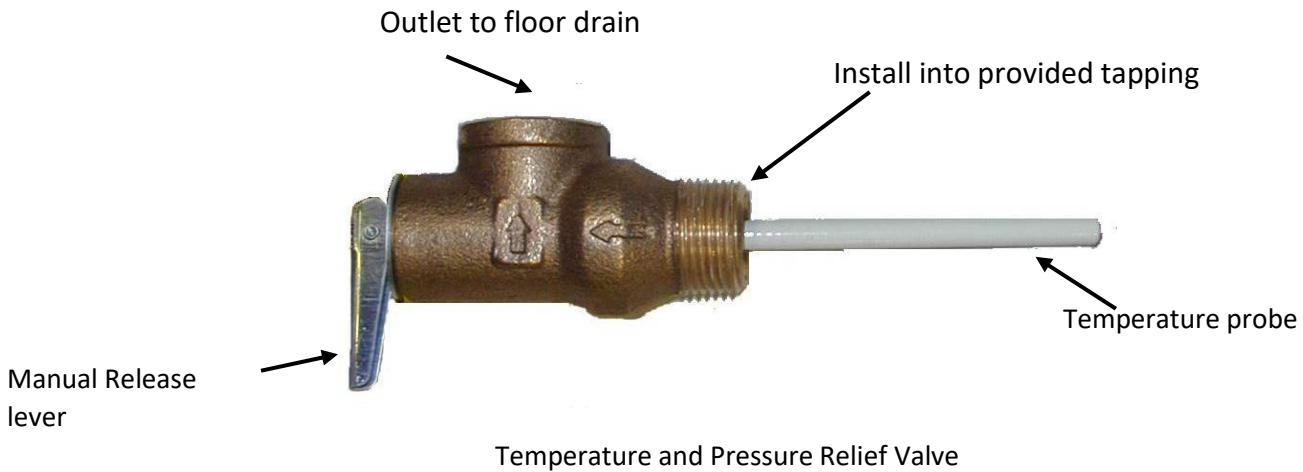
### **WATER HEATER PLACEMENT**

1. Place the heater on a solid foundation in a clean, dry location nearest to the point of most frequent hot water use. If the heater is to be raised off the floor, the entire bottom of the heater should be supported by a solid surface.
2. The water heater should be protected from freezing and waterlines insulated to reduce energy and water waste.
3. Leave a minimum of 18" clearance for element withdrawal, if necessary.
4. Do not install in an area where flammable liquids or combustible vapors are present.

### **PIPING INSTALLATION**

**NOTE:** The most effective means for preventing deterioration from accelerated corrosion due to galvanic and stray current is the installation of dielectric fittings/unions. The installation of these fittings is the responsibility of the installation contractor.

1. Connect the cold-water inlet and hot water outlet to the appropriate connections as shown; refer to the drawing for location and sizes.
2. Install in line vacuum breaker, if supplied
3. Install in line pressure and temperature gauge, if supplied.
4. Install the combination temperature and pressure safety relief valve in the tapping provided. Note that this is required by law for safety considerations.
5. Install a relief valve overflow pipe to a nearby floor drain. CAUTION: No valve of any type should be installed between the relief valve and tank or in the drain line.



### FILLING THE HEATER

1. Completely close the drain valve.
2. Open the highest hot water faucet to allow all air to escape from piping.
3. Open the valve to the cold-water inlet and allow the heater and piping system to completely fill, as indicated by a steady flow of water from the open faucet.

### ELECTRICAL INSTALLATION

1. Enter electric enclosure with properly sized feeder leads. Be sure to properly ground the water heater.
2. Install these power leads into the box lugs on the terminal block or magnetic contactor.
3. Torque screws per torque chart included in Section VI.
4. All other electrical connections are made at the factory; therefore, no other electrical connections are necessary.

### FINAL CHECKS

1. Check all connections for tightness.
2. Ensure that all the above steps are completed.
3. After the water is heated for the first time, monitor the water temperature as described in Section III, Quarterly Inspection.

## SECTION III – SCHEDULED MAINTENANCE AND OPERATION

### **WARNING**

Before performing any maintenance procedure, make certain power supply is **OFF** and cannot accidentally be turned on.

#### **MAINTENANCE AND OPERATION**

The water heater is automatic in its operation. It will maintain a full tank of water at the temperature setting of the thermostat. The water heater should not be turned on without first making sure that the tank is full of water and that all air has been released.

#### **FREEZING**

The tank should be fully drained in the event the electricity has been turned off and if there is danger of freezing.

#### **QUARTERLY INSPECTION**

1. Monitor thermostat.
  - a. Let the water heater completely heat to a designated thermostat setting.
  - b. After the thermostat satisfies (that is, when the thermostat actually clicks off), draw water from heater.
  - c. Compare the water temperature of drawn water to the temperature setting of the thermostat when it satisfies. Normal variation between the two points is approximately  $\pm 5^{\circ}\text{F}$ .
  - d. If these two readings do not coincide within acceptable tolerances and verification has been made of the accuracy of the temperature-reading gauge, replace the thermostat.
2. Lift test lever on relief valve and let water run through valve for a period of approximately 10 seconds. This will help flush away any sediment that might build up in water passageways.
3. Inspect element flange for leakage as follows:
  - a. Shut off Power Supply.
  - b. Remove element housing cover.
  - c. Visually inspect heating element gasket for evidence of leaks.
  - d. Rub finger around gasket that is between the heating element and tank flange for any evidence of moisture. If moisture is present or a water drip is observed, follow the procedure outlined in Section V.
4. Check for loose electrical connections. Tighten as necessary.

## ANNUAL INSPECTION

1. Flush tank as follows:
  - a. Shut off the power supply.
  - b. Close valve on hot water outlet piping.
  - c. Open valve on drain piping.
  - d. Cold water inlet line pressure will be strong enough to flush sediment from the bottom of the tank out through the drain. Let the water run for 3-4 minutes.
  - e. Close drain valve.
  - f. Open hot water valve.
  - g. Turn the power supply ON.

## SECTION IV TROUBLE SHOOTING

<b>Symptom</b>	<b>Probable Cause</b>	<b>Corrective Action / Remedy</b>
No hot water	Circuit breaker tripped at source	Reset Circuit breaker
	On/Off switch in "OFF" position, if installed	Turn switch to "ON" position
	Circuit breaker at control cabinet tripped, if installed	Reset circuit breaker
	Blown fuse in element fuse block, if installed	Replace fuse
	Blown fuse in transformer, if installed	Replace fuse
	High limit switch tripped	Reset high limit switch
	Loose wires	Tighten wires. Torque screw2s per torque Hart included in Section VI.
	Heating element inoperable	Check heating element operation by clamping an Amprobe around each wire to the element. The ampere reading should agree with the nameplate 'AMP' figure.
	Low line voltage.	Have source electrical system checked by an electrician
	Faulty thermostat	Move thermostat dial through full range. A definite 'click' should be heard. If not, replace thermostat.
Water temperature below settings at all times.	Faulty low water cut-off, if installed.	Check to see if the tank is full of water. If not, fill the tank. If the problem continues and the tank is full, check for continuity between the common and normally open contact of the relay board. If continuity is not observed, replace low water cut-off.
	Magnetic contactor does not energize	Replace complete magnetic contactor. Because of the design of this particular contactor, it is more desirable to replace complete control rather than rebuilding coil, contacts and springs, etc.
Water temperature below settings at all times.	Faulty thermostat.	Check thermostat adjustment. Monitor thermostat as described in Section III, Quarterly Inspection. Replace if necessary.
	Blown fuse in element fuse block, if installed	Replace fuse.

Water temperature below settings at all times (continued)	Heating element not working on all phases	Check to see that heating element is working on all phases, by checking the resistance (ohms) value for each element and comparing with the chart included in Section VI.
	Heater improperly sized	Verify heater is properly sized for the flow rate and temperature rise of your system. See formulas included in Section VI. Replace elements with proper size as necessary
Relief valve discharges continuously	Excessive temperature or pressure in tank	Temperature and pressure relief valves are made to operate if the water temperature exceeds 210°F or water pressure exceeds the pressure rating of the safety relief valve. If trouble is excessive temperature, then thermostat is not shutting off at the right setting and thermostat must be replaced

## SECTION V - SERVICING & REPLACEMENT OF PARTS

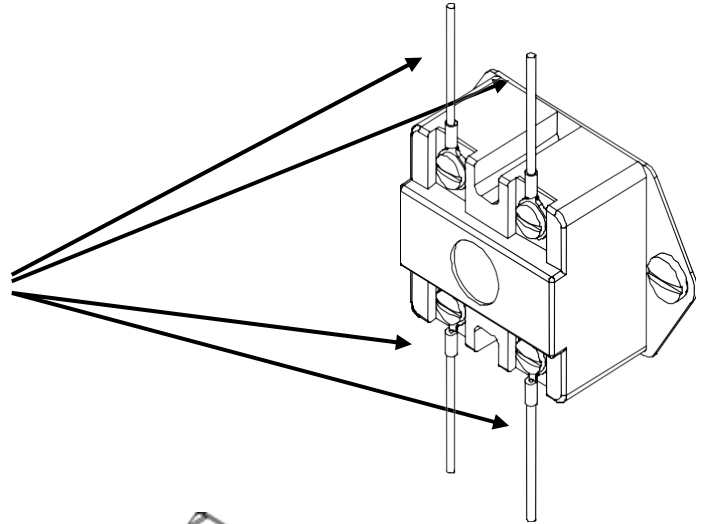
### **WARNING**

**Before servicing or replacing any part make sure to turn the power supply switch to the OFF position.**

#### **SURFACE TEMPERATURE HIGH LIMIT CUT OFF**

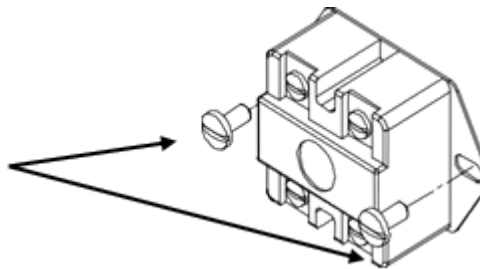
1. Disconnect power from unit.
2. Remove access cover.
3. Disconnect the four (4) 14-gauge wires.

Control Wires



4. Remove the two (2) mounting screws.

Mounting Screws

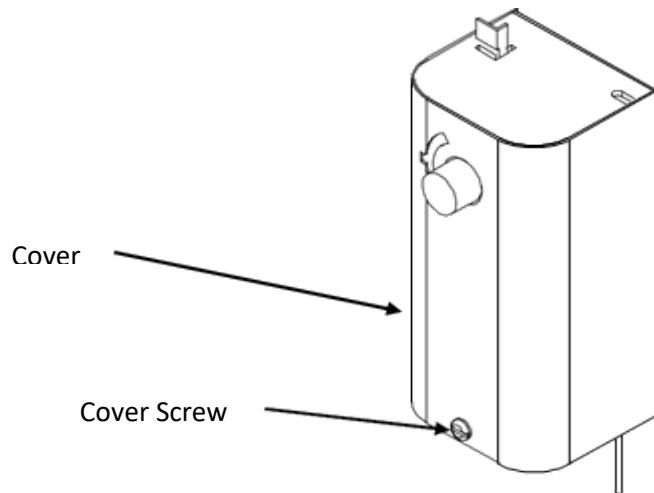


5. Replace control and install new high limit switch by performing above steps in reverse order.

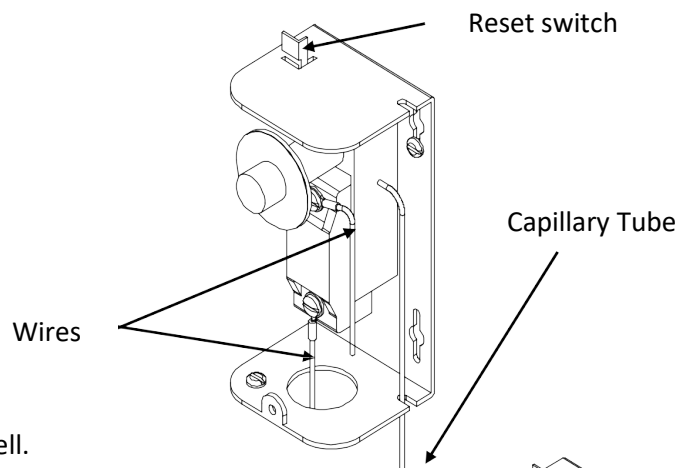
**See the drawing specific for your heater.**

### IMMERSION TEMPERATURE HIGH LIMIT CUT-OFF

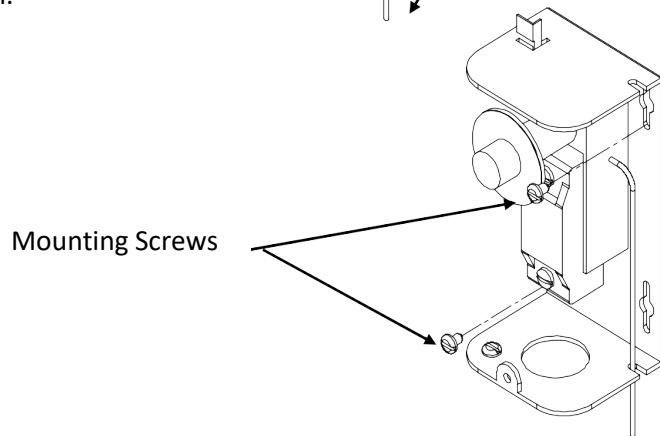
1. Disconnect power from unit.
2. Remove access cover.
3. Remove high limit cover screw and cover.



4. Disconnect the two (2) 14-gauge wires.



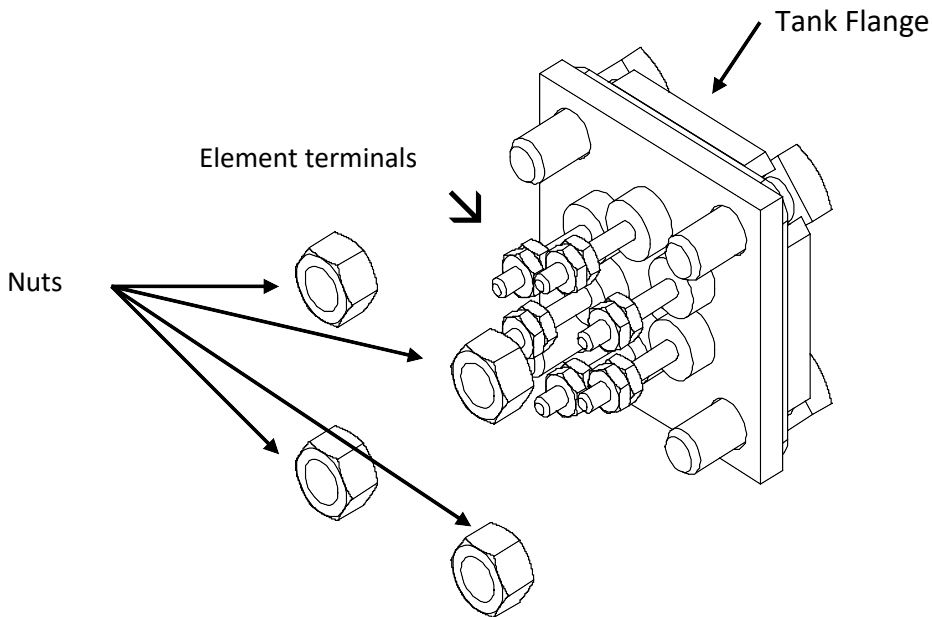
5. Remove capillary tube and bulb from thermowell.
6. Remove two (2) mounting screws.



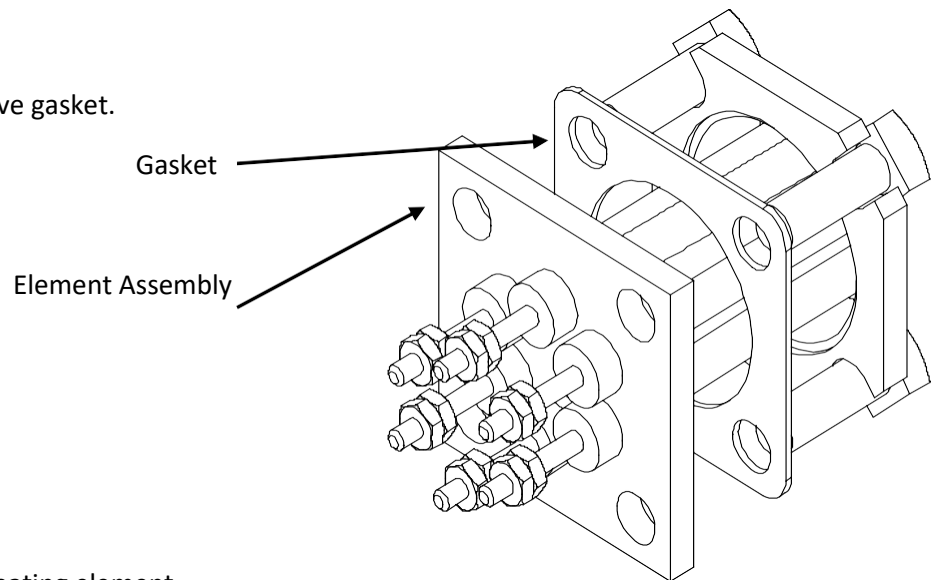
7. Remove control and install new high limit switch by performing above steps in reverse order. (Note: Be sure to place capillary tube into slot in base prior to installing cover.)

## HEATING ELEMENT

1. Disconnect power from unit.
2. Shut off incoming water supply.
3. Attach hose to drain connection.
4. Lift manual release lever on relief valve to let air into system or break union on outgoing water line.
5. Drain water from tank.
6. Disconnect the wires from the heating element terminals.
7. Remove the 3/8 -16 nuts.

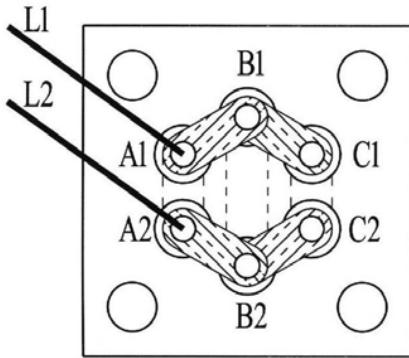


8. Withdraw element assembly and remove gasket.

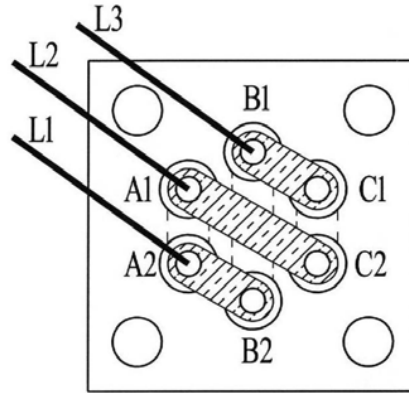


9. Install a new gasket and insert a new heating element.
10. Rewire element according to the voltage and phase rating of the unit as shown below.
11. Fill the tank and check around the gasket for any leaks.

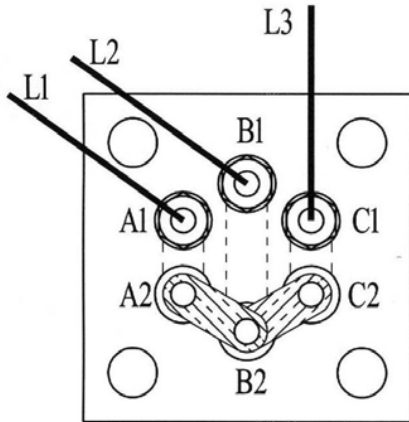
## JUMPER CONFIGURATION



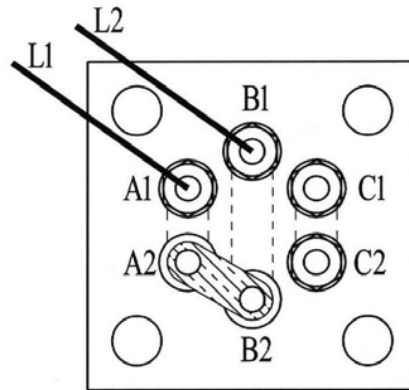
**1 PHASE  
208 OR 240 VOLT**



**3 PHASE DELTA  
208 OR 240 VOLT**



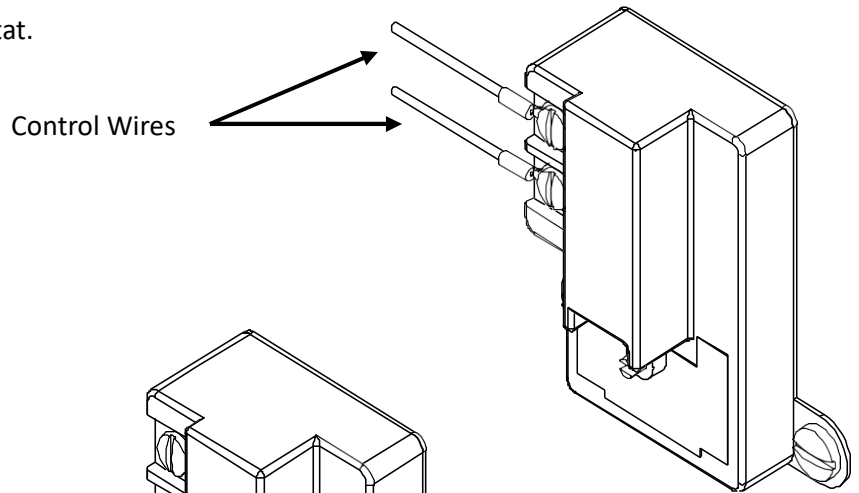
**3 PHASE WYE  
380 TO 575 VOLT**



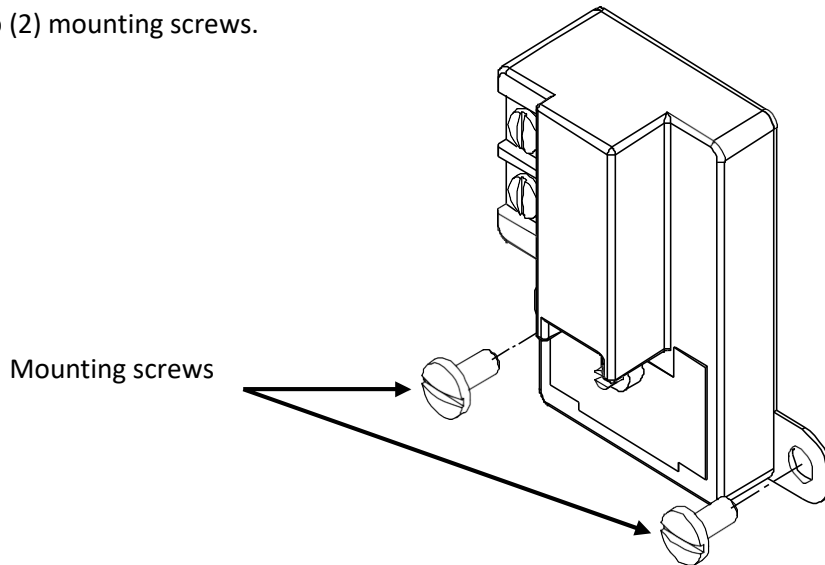
**1 PHASE  
480 VOLT**

### SURFACE MOUNTED THERMOSTAT

1. Disconnect power from unit.
2. Remove access cover and locate thermostat.
3. Disconnect the two (2) 14-gauge wires.



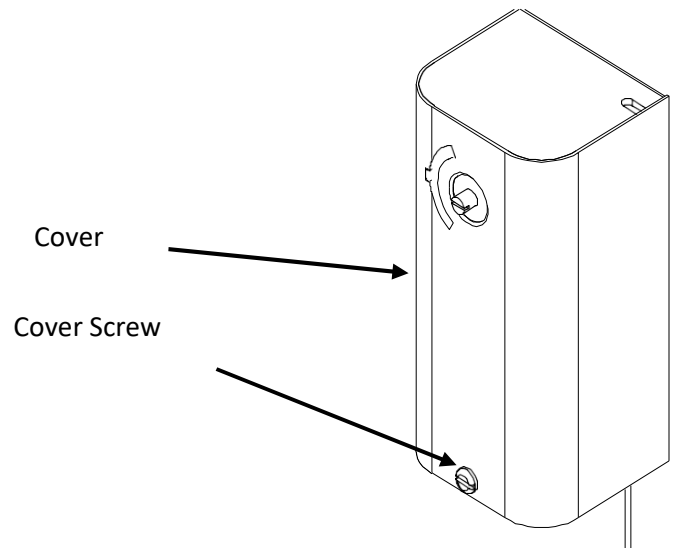
4. Remove two (2) mounting screws.



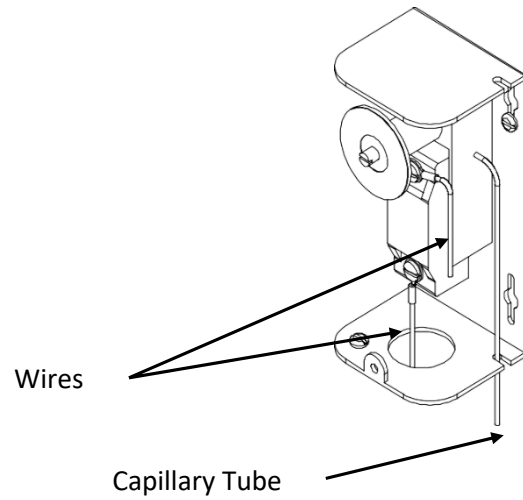
5. Replace thermostat using the reverse procedure.

### IMMERSION THERMOSTAT

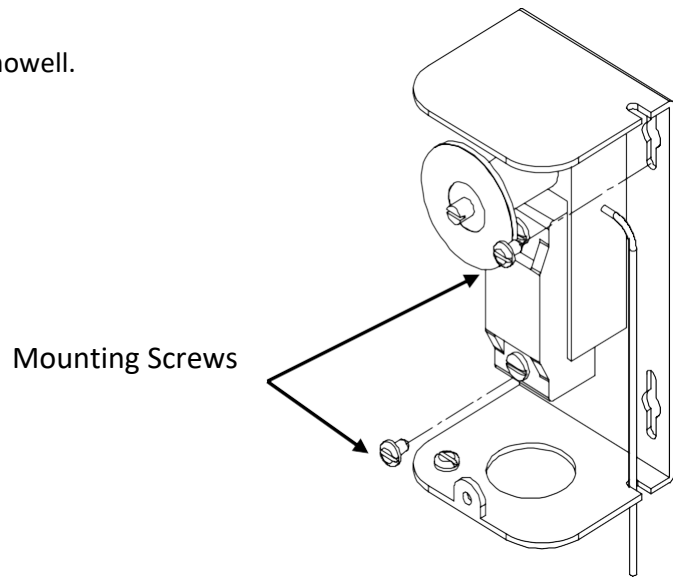
1. Disconnect power from unit.
2. Remove access cover and locate thermostat.
3. Remove high limit over screw and cover.



4. Disconnect the two (2) 14-gauge wires.



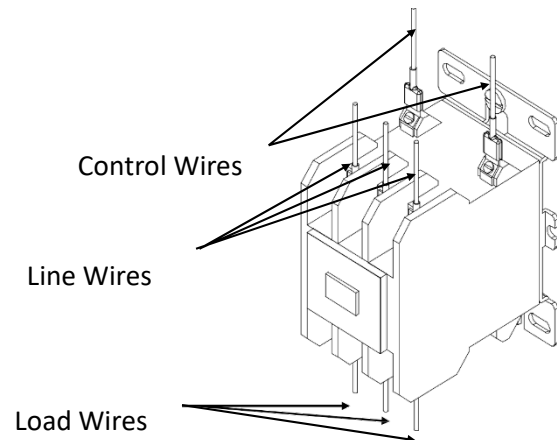
5. Remove capillary tube and bulb from the thermowell.
6. Remove two (2) mounting screws.



7. Replace thermostat using reverse procedure. (Note: Be sure to place capillary tube into slot in base prior to installing cover.)

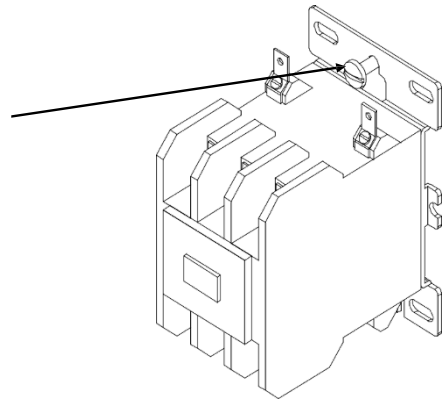
### MAGNETIC CONTACTOR

1. Disconnect power from unit.
2. Disconnect line and load wires to contactor.
3. Disconnect two (2) 14-gauge control circuit wires.



4. Loosen two (2) holding screws and remove contactor.

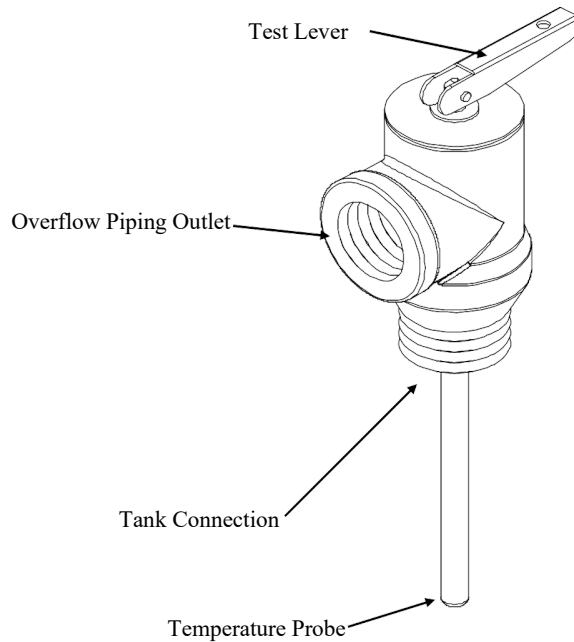
Mounting Screws  
(Bottom screw  
not shown)



5. Replace with new contactor using reverse procedure

### RELIEF VALVE

1. Disconnect power from unit.
2. Shut off incoming water supply.
3. Lift test lever on relief valve to relieve pressure in tank.
4. Disconnect overflow piping.
5. Unscrew relief valve, remove assembly, and replace with new one.
6. Connect overflow piping.
7. Turn on incoming water supply and check for leaks.
8. Turn safety switch to ON position





**Torque Values**

BOLT SIZE	18-8 S/S IN.-LBS.	BRASS IN.-LBS.	SILICON BRONZE IN.-LBS.	ALUMINUM 2024-T4 IN.-LBS.	316 S/S IN.-LBS.	MONEL IN.-LBS.
4-40	5.2	4.3	4.8	2.9	5.5	5.3
4-48	6.6	5.4	6.1	3.6	6.9	6.7
5-40	7.7	6.3	7.1	4.2	8.1	7.8
5-44	9.4	7.7	8.7	5.1	9.8	9.6
6-32	9.6	7.9	8.9	5.3	10.1	9.8
6-40	12.1	9.9	11.2	6.6	12.7	12.3
8-32	19.8	16.2	18.4	10.8	20.7	20.2
8-36	22.0	18.0	20.4	12.0	23.0	22.4
10-24	22.8	18.6	21.2	13.8	23.8	25.9
10-32	31.7	25.9	29.3	19.2	33.1	34.9
1/4-20	75.2	61.5	68.8	45.6	78.8	85.3
1/4-28	94.0	77.0	87.0	57.0	99.0	106.0
5/16-18	132	107	123	80	138	149
5/16-24	142	116	131	86	147	160
3/8-16	236	192	219	143	247	266
3/8-24	259	212	240	157	271	294
7/16-14	376	317	349	228	393	427
7/16-20	400	327	371	242	418	451
1/2-13	517	422	480	313	542	584
1/2-20	541	443	502	328	565	613
9/16-12	682	558	632	413	713	774
9/16-18	752	615	697	456	787	855
5/8-11	1110	907	1030	715	1160	1330
5/8-18	1244	1016	1154	798	1301	1482
3/4-10	1530	1249	1416	980	1582	1832
3/4-16	1490	1220	1382	958	1558	1790
7/8-9	2328	1905	2140	1495	2430	2775
7/8-14	2318	1895	2130	1490	2420	2755
1-8	3440	2815	3185	2205	3595	4130
1-14	3110	2545	2885	1995	3250	3730

HUBBELL ELECTRIC HEATER COMPANY

45 SEYMOUR STREET  
STRATFORD, CT 06615

PHONE: (203) 378-2659

FAX: (203) 378-3593

[Hubbellheaters.com](http://Hubbellheaters.com)