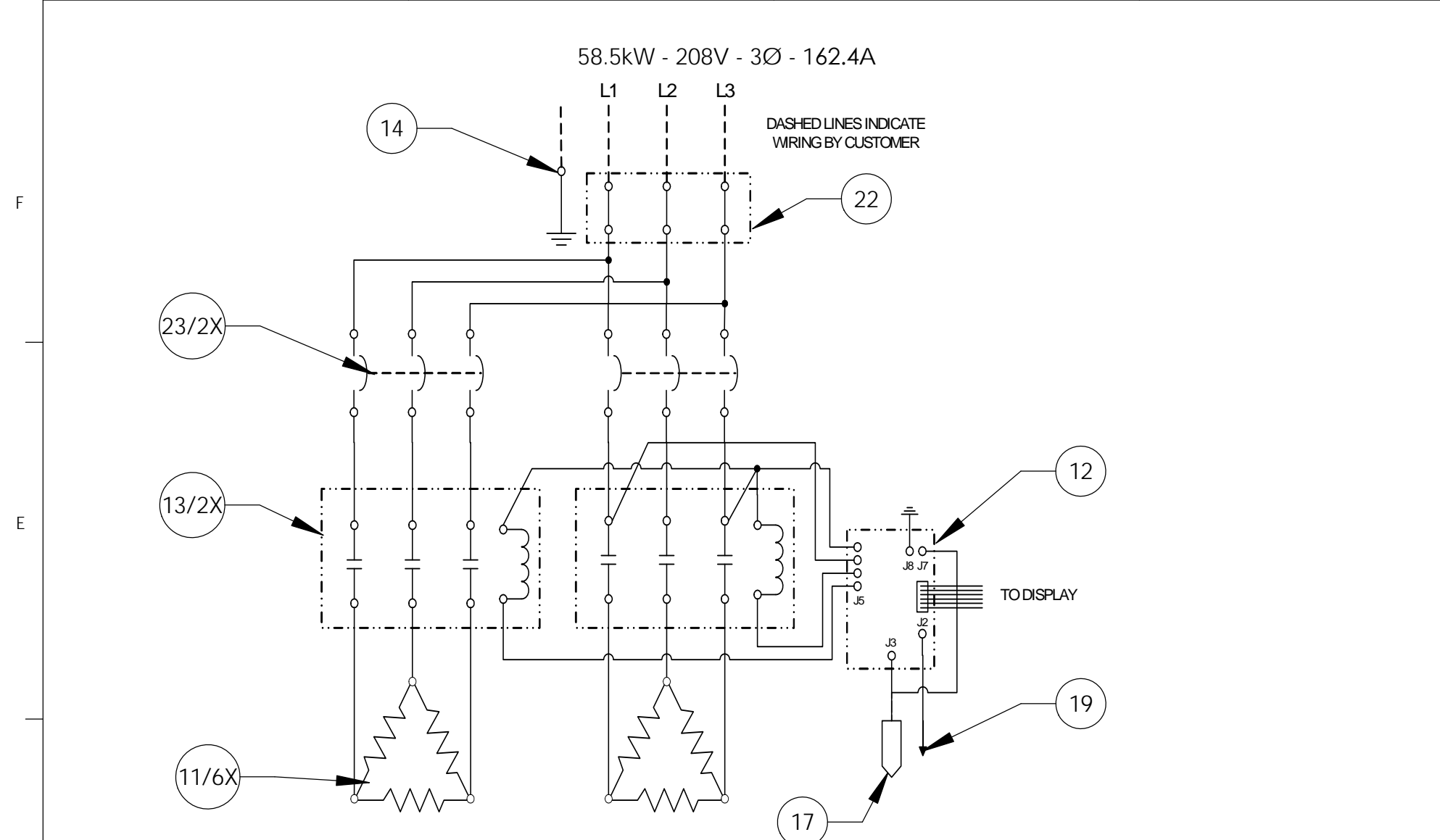
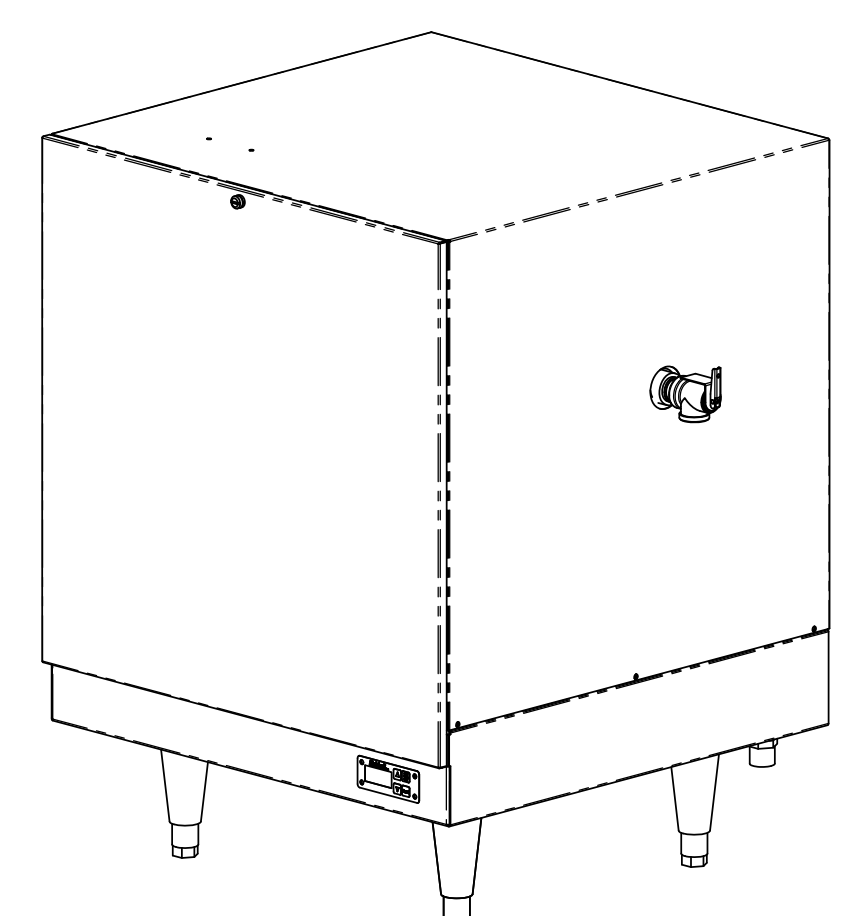
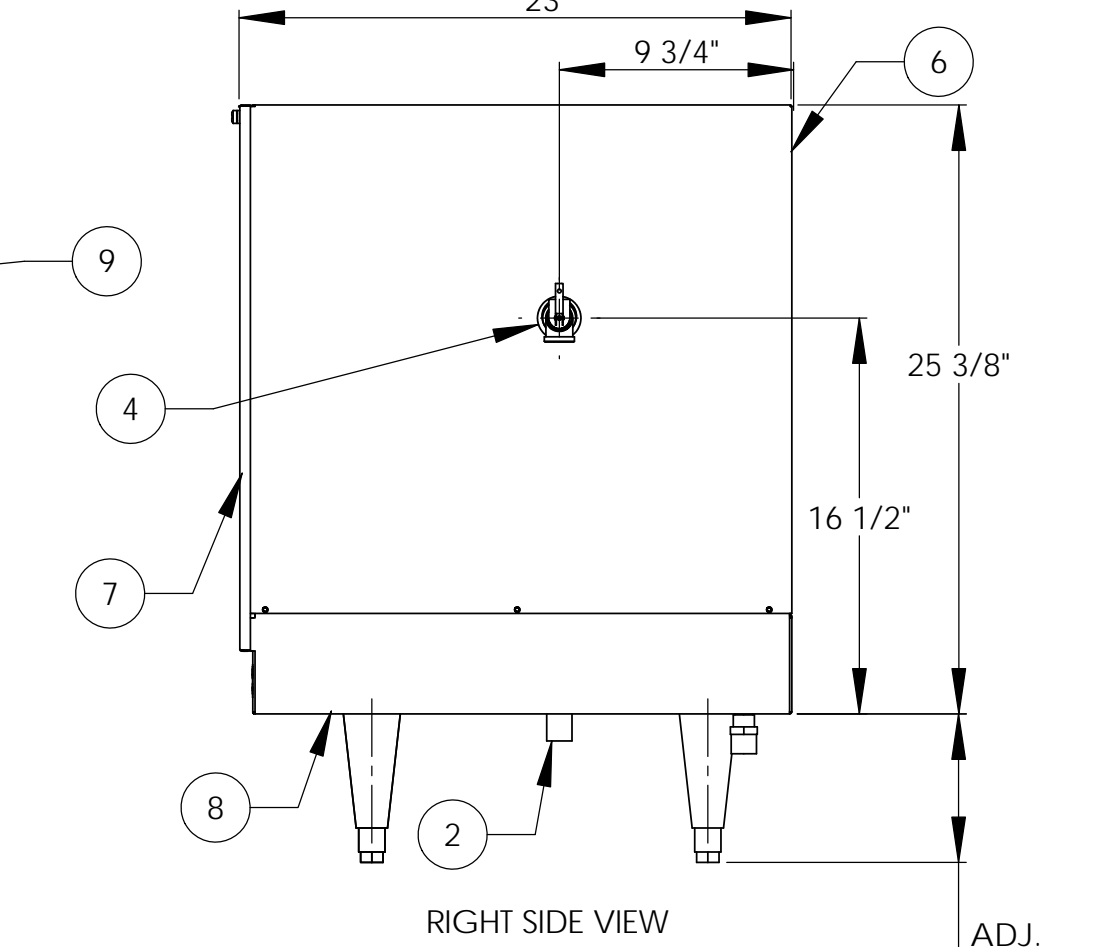
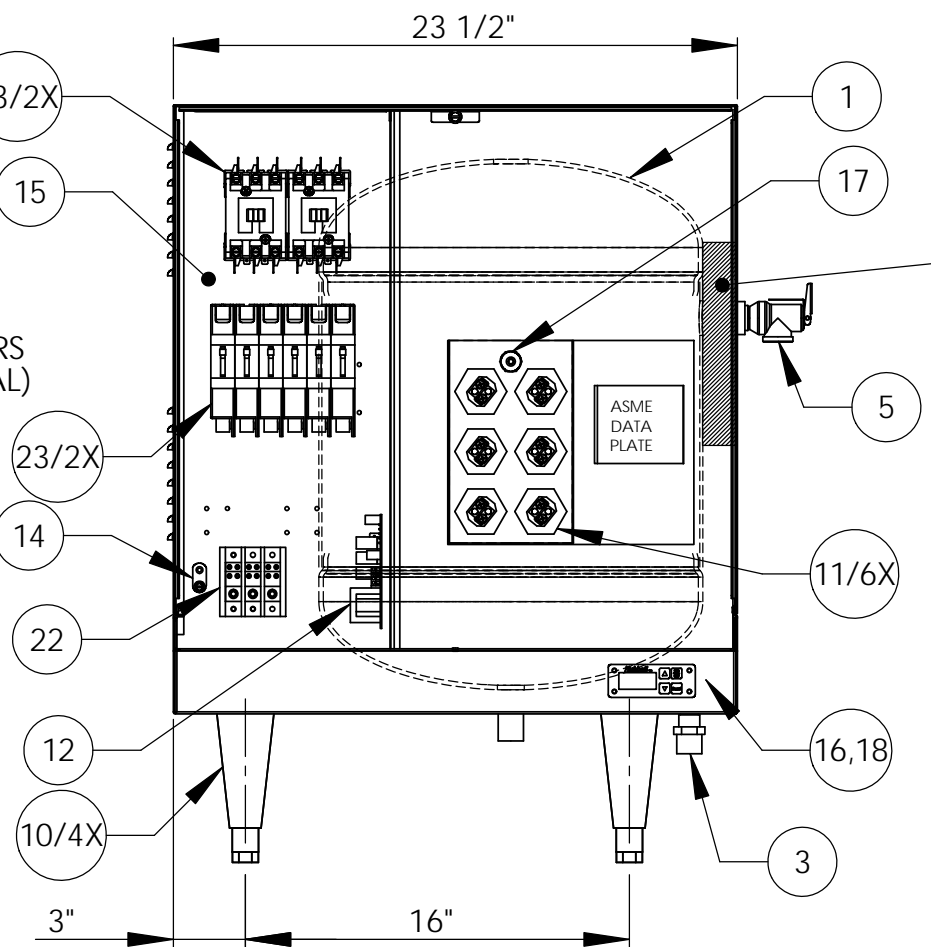
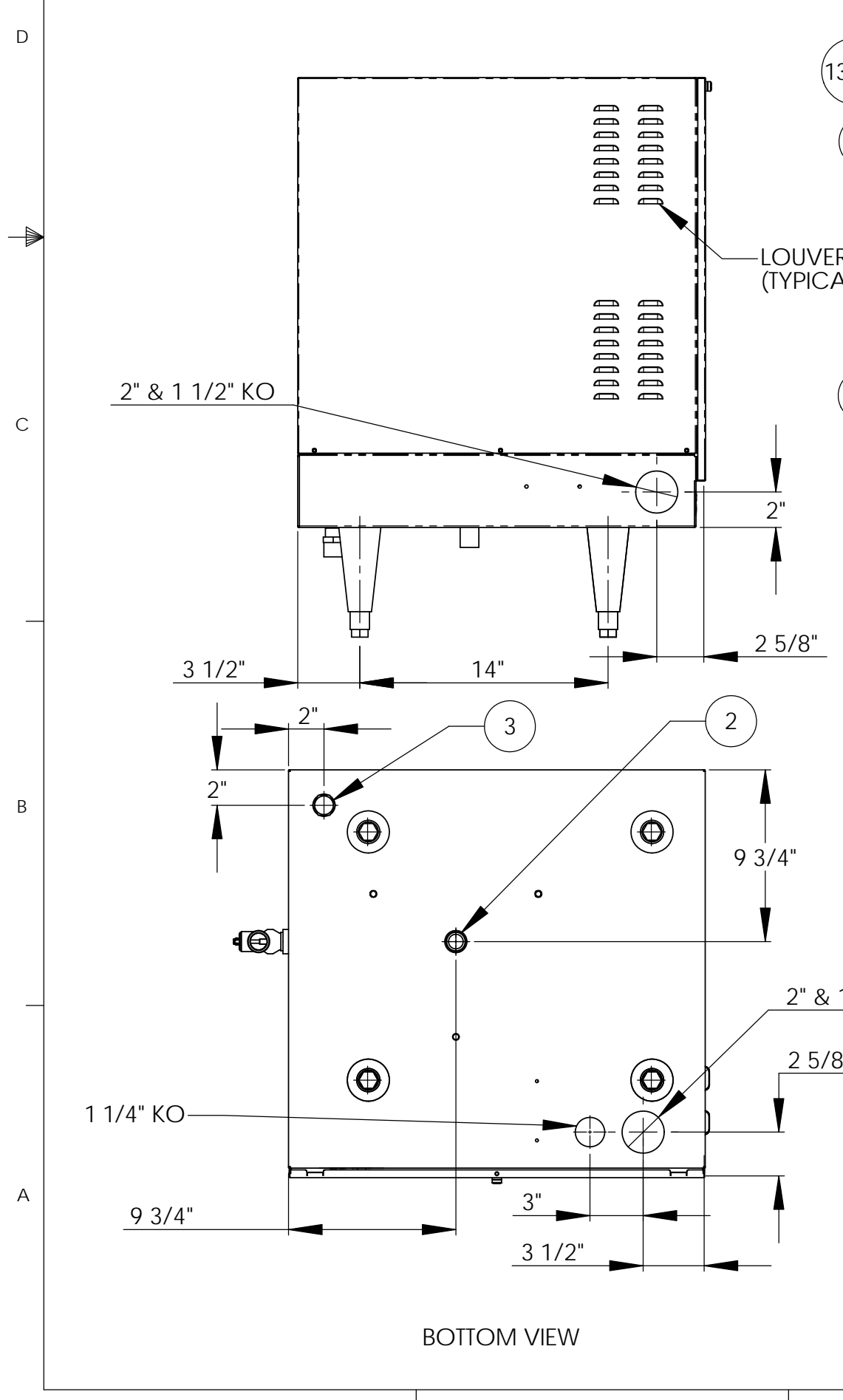


8 7 6 5 4 3 2 1



| ITEM NO. | QTY. | PART NO.          | MATERIAL       | DESCRIPTION  |
|----------|------|-------------------|----------------|--|
| 1        | 1    | J16-6 TANK        | 304 S/S        | 16 GALLON VESSEL ASSEMBLY                              |
| 2        | 1    | J16 INLET         | 304 S/S        | 3/4" MNPT INLET  |
| 3        | 1    | J16 OUTLET        | COPPER         | 3/4" MNPT OUTLET                                       |
| 4        | 1    |                   | BRONZE         | 3/4" FNPT FOR RELIEF VALVE                             |
| 5        | 1    | 100XL .75 150LB   | BRONZE         | RELIEF VALVE SET AT 150PSI, 210°F                      |
| 6        | 1    | J16 JACKET        | 304 S/S        | TOP COVER ASSEMBLY                                     |
| 7        | 1    | J16 FRONT COVER   | 304 S/S        | FRONT COVER ASSEMBLY                                   |
| 8        | 1    | J16 BASE          | 304 S/S        | BASE ASSEMBLY  |
| 9        | 1    |                   | FOAM           | INSULATION   |
| 10       | 4    | 61649NOBN5T4      | PLASTIC        | ADJUSTABLE LEGS  |
| 11       | 6    | N2375-10          | INCOLOY SHEATH | HEATING ELEMENT - 1-7/8" HEX 9600W @ 208V              |
| 12       | 1    | T1000             | VARIOUS        | CONTROL MODULE   |
| 13       | 2    | C25FN375B         | VARIOUS        | MAGNETIC CONTACTOR 90A (RESISTIVE) - 240V              |
| 14       | 1    | KA4C              | COPPER         | GROUND LUG   |
| 15       | 1    | J16 CONTROL PLATE | GALVANEEL      | ELECTRICAL MOUNTING PANEL                              |
| 16       | 1    | TD1000            | VARIOUS        | DIGITAL DISPLAY MODULE                                 |
| 17       | 1    | P65               | VARIOUS        | PROBE ASSEMBLY   |
| 18       | 1    | OVERLAY J MODEL   | LEXAN          | OVERLAY FOR DISPLAY MODULE                             |
| 19       | 1    |                   | VARIOUS        | LEAK DETECTION SENSOR                                  |
| 20       | 1    | TTD405            | VARIOUS        | T&P GAUGE 30-240°F/0-200PSI                            |
| 21       | 1    | N45BU             | BRONZE         | PRESS REDUCING VALVE 25-75PSI                          |
| 22       | 1    | PDB310-1X6-3      | VARIOUS        | POWER DISTRIBUTION BLOCK 310A, 3-POLE, 1 PRIM., 6 SEC. |
| 23       | 2    | CB 100 AMP        | VARIOUS        | POWER CIRCUIT BREAKER 100A, 3-POLE, 240V               |

| REVISIONS |      |             |      |          |
|-----------|------|-------------|------|----------|
| ZONE      | REV. | DESCRIPTION | DATE | APPROVED |
|           |      |             |      |          |
|           |      |             |      |          |



| INSTALLATION REQUIREMENTS |               |
|---------------------------|---------------|
| AMP Draw                  | 162.4         |
| Min. Breaker/Fuse Size    | 200 AMP       |
| Cu Power Feed Wire        | #4/0 AWG THHN |
| Min. Power Conduit        | 1 1/2"        |
| Wiring Diagram            | 12            |

**ELECTRICAL NOTES:**  
 1. POWER FEED WIRE SIZING IS BASED ON 75 °C Cu THHN WIRE WITH FEEDER BRANCH PROTECTION AT 125%.  
 2. REFERENCE INSTALLATION, OPERATION, AND MAINTENANCE MANUAL FOR COMPLETE INSTALLATION INSTRUCTIONS.

- NOTES:**
- TANK IS DESIGNED, FABRICATED, AND STAMPED IAW ASME SECTION VIII CODE, LATEST ADDENDA.
  - TANK IS DESIGNED FOR 150PSI AND PRESSURE TESTED AT 225PSI.
  - PROBE ASSEMBLY (Pc. No. 17) PROVIDES TEMPERATURE CONTROL, HI-LIMIT, AND LOW WATER SENSING.
  - UNIT IS UL, CUL, AND UL EPH LISTED.
  - PIECE NOS. 5, 10, 20, & 21 ARE SHIPPED LOOSE.
  - CONTROL CIRCUIT WIRE TO BE #18 TEFZEL 750 (200°C), POWER CIRCUIT WIRE TO BE #6 TEFZEL 750 (200°C), ELEMENT JUMPER WIRE TO BE #8 TEFZEL 750 (200°C).
  - PHASE TO PHASE RESISTANCE: 1.5 OHMS
  - APPROXIMATE WEIGHT:  
 DRY: 131 LBS.  
 WET: 264 LBS.

| DATE    | NAME   | DESCRIPTION |
|---------|--------|-------------|
| 2/26/03 | PRD    | DRAWN       |
| 2/26/03 | WENIII | CHECKED     |
| 2/26/03 | PRD    | ENG APPR.   |
| 2/26/03 | CHD    | MFG APPR.   |

**Hubbell** Stratford, CT 06615 (203) 378-2659  
**The Electric Heater Company**  
 Customer: J MODEL BOOSTER HEATER  
 J1658R- 16 GALLON  
 58.5kW - 208V - 3Ø

|      |          |     |
|------|----------|-----|
| SIZE | DWG. NO. | REV |
| C    | J1658R   |     |

SCALE: 1:8 FSCM: 19857 SHEET 1 OF 1

8 7 6 5 4 3 2 1