



OPERATING AND MAINTENANCE MANUAL

ULTRAPURE D

7/20/23



-IMPORTANT-

Always reference the full model number and serial number when calling the factory.

HUBBELL ELECTRIC HEATER COMPANY
45 SEYMOUR STREET
STRATFORD, CT 06615

PHONE: (203) 378-2659
FAX: (203) 378-3593
Hubbellheaters.com

Table of Contents

SECTION I - GENERAL DESCRIPTION AND CONSTRUCTION	3
DIMENSIONAL DATA	3
GPM HEATING CAPACITY WITH AMPERAGE CHART	4
GENERAL DESCRIPTION.....	4
TANK	4
TANK CONNECTIONS.....	4
HEATING ELEMENT	4
CONTROL THERMOSTAT	4
TEMPERATURE HIGH LIMIT SWITCH	5
MAGNETIC CONTACTOR	5
OUTER SHELL AND INSULATION	5
OPTIONS.....	5
SECTION II – INSTALLATION	7
WATER HEATER PLACEMENT	7
PIPING INSTALLATION	7
FILLING THE HEATER	8
ELECTRICAL INSTALLATION	8
THERMOSTAT SETTING	8
FINAL CHECKS.....	8
SECTION III – SCHEDULED MAINTENANCE	9
MAINTENANCE AND OPERATION	9
FREEZING.....	9
QUARTERLY INSPECTION	9
ANNUAL INSPECTION	9
SECTION IV – TROUBLESHOOTING	10
SECTION V - SERVICING & REPLACEMENT OF PARTS	11
SURFACE TEMPERATURE HIGH LIMIT CUT-OFF	11
IMMERSION TEMPERATURE HIGH LIMIT CUT-OFF	11
HEATING ELEMENT	12
IMMERSION THERMOSTAT	13
MAGNETIC CONTACTOR	14
RELIEF VALVE	15
SECTION VI – MISCELLANEOUS CHARTS AND FORMULAS	16
ELEMENT CHART	16
FORMULAS	16

WARNING / CAUTION

1. Tank is to be completely filled with water and all air is to be vented before energizing.

2. Due to the rigors of transportation, all connections should be checked for tightness before the heater is placed in operation.

3. Safety relief valve must be installed in tapping provided.

4. The refractory material used in heating elements may absorb some moisture during transit, periods of storage, or when subjected to a humid environment. This moisture absorption results in a cold insulation resistance of less than one (1) megohms. If this heater has been subjected to the above condition, each heating element must be checked for insulation resistance before energizing. A low megohm condition can be corrected by removing the terminal hardware and baking the element in an oven at 300°F -500°F for several hours or until the proper megohm reading is obtained.

5. KEEP AWAY FROM LIVE ELECTRICAL CIRCUITS. Do not perform any maintenance, make any adjustments, or replace any components inside the control panel with the high voltage power supply turned on. Under certain circumstances, dangerous potentials may exist even when the power supply is off. To avoid casualties, always turn the power supply safety switch to off, turn off the charge or ground the circuit before performing any maintenance or adjustment procedure.

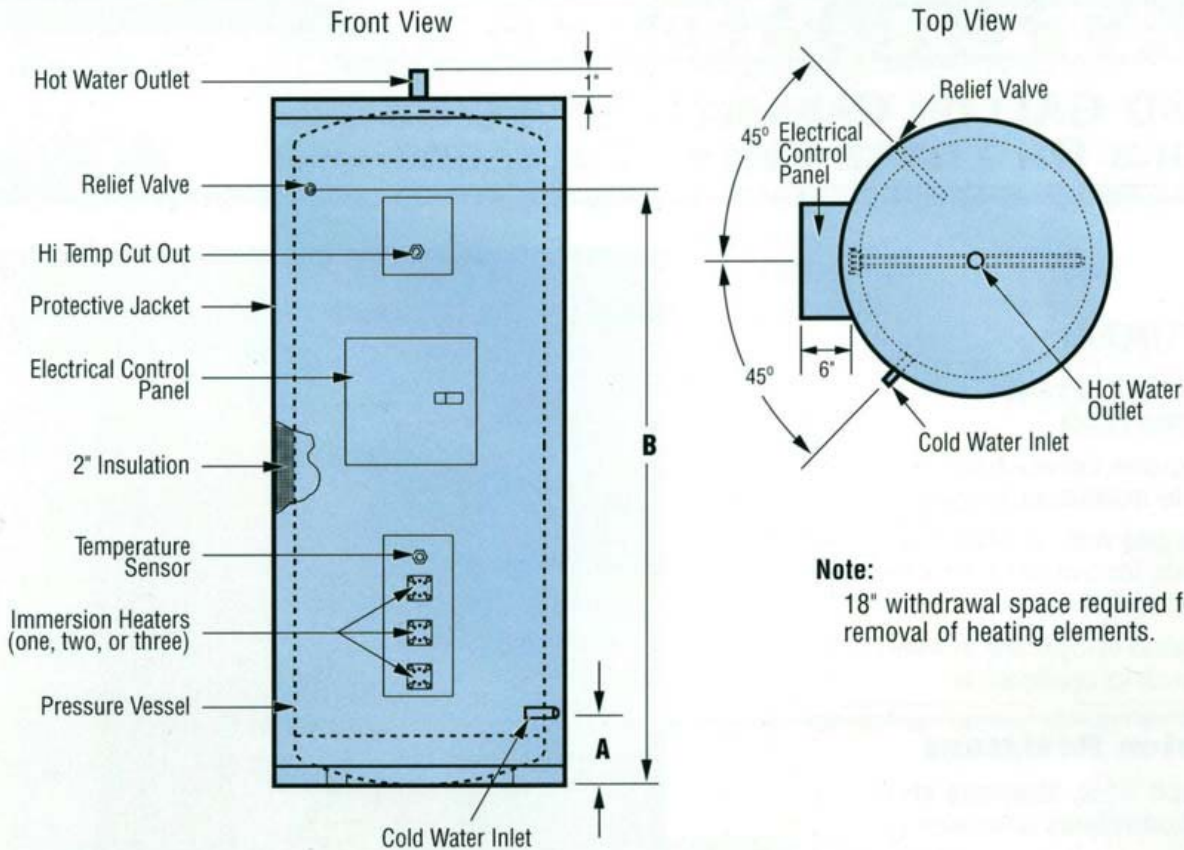
6. The unit is designed to operate at pressure not more than 150 psi.

7. Generalized instructions and procedures cannot anticipate all situations. For this reason, only qualified installers should perform the installations. A qualified installer is a person who has licensed training and a working knowledge of the applicable codes, regulations, tools, equipment, and methods necessary for safe installation of an electric resistance water heater. If questions regarding installation arise, check your local plumbing and electrical inspectors for proper procedures and codes. If you cannot obtain the required information, contact the company.

SECTION I - GENERAL DESCRIPTION AND CONSTRUCTION

DIMENSIONAL DATA

MODEL D DIMENSIONAL DATA



Note:
18" withdrawal space required for removal of heating elements.

Base Model Number	Storage Capacity (Gallons)	KW Selections Available	Dimensions (Inches)				Shipping Weight (lbs.)
			Overall Diameter	Overall Height	Floor to Inlet "A"	Floor to T&P "B"	
D1	1	1	9	9	bottom	6	15
D10	10	6, 10, 12	16	26	5	18	85
D20	20		18	37	5	29	150
D30	30	6, 10, 12, 15, 20, 24, 30, 35	18	52	5	44	210
D40	40		18	66	5	58	225
D50	50		24	44	6	39	325
D65	65		24	52	6	43	350
D80	80	24, 30, 35, 40, 45, 54, 58	24	61	6	52	450
D100	100		28	53	7	43	500
D120	120		28	66.5	7	57	575

Note:
1. Model D1 is available in 1 KW, 120 Volt or 240 Volt, 1 Phase only.

GPM HEATING CAPACITY WITH AMPERAGE CHART

KW Rating	Recovery Rate in GPM at °F Temperature Rise						Amp Draw By Voltage & Phase				
							208V		240V		480V
	40°	60°	80°	100°	120°	140°	1Φ	3Φ	1Φ	3Φ	3Φ
6	1.0	0.7	0.5	0.4	0.3	0.2	29	17	25	15	7
8	1.4	0.9	0.7	0.6	0.5	0.4	38	22	33	19	10
10	1.7	1.1	0.8	0.7	0.6	0.5	48	28	42	24	12
12	2.0	1.4	1.0	0.8	0.7	0.6	58	33	50	29	15
15	2.6	1.7	1.3	1.0	0.8	0.7	72	42	62	36	18
20	3.4	2.3	1.7	1.4	1.1	1.0	96	56	83	48	24
24	4.1	2.7	2.0	1.6	1.4	1.2	115	66	100	58	29
30	5.1	3.4	2.6	2.1	1.7	2.5	144	83	125	72	36
35	6.0	4.0	3.0	2.4	2.0	2.7	169	97	146	84	42
40	6.8	4.5	3.4	2.7	2.3	2.0	192	111	167	96	48
45	7.7	5.1	3.8	3.1	2.6	2.2	216	125	188	108	54
54	9.2	6.1	4.6	3.7	3.1	2.6	259	150	226	130	65
58	9.9	6.6	4.9	4.0	3.3	2.8	279	162	243	139	70

GENERAL DESCRIPTION

This booklet describes an electric heater designed specifically for use in deionized (DI) water applications. The complete assembly consists of a type 316L stainless steel storage tank, type 316L stainless steel immersion electric heating element(s), thermostat, safety relief valve, safety high temperature cut out, magnetic contactor(s), and any other required electrical operating control. Optional equipment may be supplied with your unit. Please consult the product drawing for details specific to your assembly. The unit is factory assembled, insulated, jacketed, wired, tested, and ready for electrical and plumbing service connections.

CONSTRUCTION

TANK

The storage tank is constructed of type 316L stainless steel for maximum tank longevity. The tank is formed by all welded construction and is designed for a maximum allowable working pressure of 150 psi (300 psi TP). As an option, the tank may be supplied with a passivated / electropolished finish.

TANK CONNECTIONS

The heater is supplied with separate connections for the cold-water inlet and the hot water outlet. Water entering the cold-water inlet is deflected by means of a baffle within the tank. A ¾-inch FNPT connection is provided for mounting a combination safety temperature and pressure relief valve. An overflow line should be utilized from the relief valve outlet to a floor drain. See drawing for locations and sizes.

HEATING ELEMENT

The water heater is supplied with an electric immersion heating element assembly(s), composed of type 316L stainless steel sheathed elements that are welded into a stainless-steel flange. Each assembly is fastened to a corresponding tank flange using a Teflon gasket and four (4) 3/8-16 x 1-inch-long hex head steel bolts and nuts. See drawing for voltage and power ratings.

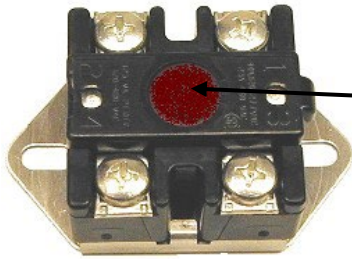


CONTROL THERMOSTAT

The water heater is supplied with a single stage immersion thermostatic switch that is installed and wired at the factory. The thermostat can be adjusted through a range of 100° - 195° F, (an optional low range, 30° - 110° F, is available), and is adjustable with a flat tip screwdriver. Other thermostatic controls are available, see Options below.

TEMPERATURE HIGH LIMIT SWITCH

As a safety device, either a surface mounted high temperature cut-off switch with manual reset, factory set at 205° F, or an optional immersion high temperature cut-off switch with manual reset, adjustable through a range of 100° - 240° F, is provided. In the event of an over-temperature condition, the thermostat will disengage the power from the system. The high limit must be manually reset in order to restart the heater.



Surface Mounted High
Temperature Cut-Off Switch

Manual Reset



Immersion High Temperature Cut-Off Switch

MAGNETIC CONTACTOR

The magnetic contactor(s) is a heavy-duty resistive load type rated for 100,000 cycles. The contactor supplies power to the heating element(s) based on the resistive load (non-inductive) of the heater only when the thermostatic switch is engaged, thereby pulling in the contacts until the desired temperature is reached. At this point, the contacts will drop out, which in turn disconnects power from the elements. Magnetic contactors are installed only on units rated greater than 6kW.



OUTER SHELL AND INSULATION

The tank is encapsulated in 2-inches of high-density fiberglass insulation. The protective shell is constructed of galvalume and is coated with a durable silver hammertone finish.



OPTIONS

The following optional features may be included in your water heater. Reference included drawing specific to your heater for further details.

Low Water Cut-Off

Used as a safety device, the float type (316 stainless steel) low water cut-off is used to detect a low water situation and disengage the operating coils in the magnetic contactor(s). Once the condition is remedied, the low water cut-off switch is automatically reset. This type of low water cut-off uses a 316 stainless steel float.



Fused Low Voltage Transformer

A fused low voltage transformer may be supplied. This option is provided only in 480-volt systems with low water cut-offs to step down the voltage to 240-volt for safety when working with control circuits. As an option, a transformer may be installed on any unit to step down the voltage to 120-volts



Stainless Steel Outer Jacket

An optional stainless steel outer jacket may replace the standard galvanized jacket.

Optional Connections

- Flanged inlet and outlet connections (150#)
- Threaded inlet and outlet connections (1 1/2", 2" MNPT)
- Sanitary Connections

NEMA 4 or NEMA 4X Electric Control Panel

A NEMA 4 control panel may be supplied to provide watertight construction for installation in "wet" areas.

Individually Fused Elements

To prevent the possibility of damage to control circuits and other elements in case of electrical overloads, fuses may be supplied for each circuit. Two types of fuses may be used: a type NON for voltages less than 250-volt or type JJS for voltage less than 600-volt.



Digital Display

A 1/16 DIN electronic temperature control package may be installed. A separate manufacturer's operating manual will be supplied with the unit.



Stainless Steel Pressure-Only Relief Valve

Optionally, a 3/4" NPT, type 316 stainless steel pressure-only relief valve may be supplied, as shown below.



SECTION II – INSTALLATION

WARNING / CAUTION

DO NOT TURN ON THE ELECTRIC POWER SUPPLY to this equipment until the heater is completely filled with water and all air has been released. *If the heater is NOT filled with water when the power is turned on, the heating elements will burn out.*

For protection against excessive pressures and temperatures, local codes require the installation of a temperature-and-pressure (T&P) relief valve certified by a nationally recognized laboratory that maintains periodic inspection of production of listed equipment of materials, as meeting the requirements for Relief Valves and Automatic Gas Shutoff for Hot Water Supply Systems. ANSI Z21.22-1971. THE CUSTOMER IS RESPONSIBLE TO PROTECT PROPERTY AND PERSONNEL FROM HARM WHEN THE VALVE FUNCTIONS.

All water heaters have a risk of leakage at some unpredictable time. IT IS THE CUSTOMER'S RESPONSIBILITY TO PROVIDE A CATCH PAN OR OTHER ADEQUATE MEANS, SO THAT THE RESULTANT FLOW OF WATER WILL NOT DAMAGE FURNISHINGS OR PROPERTY.

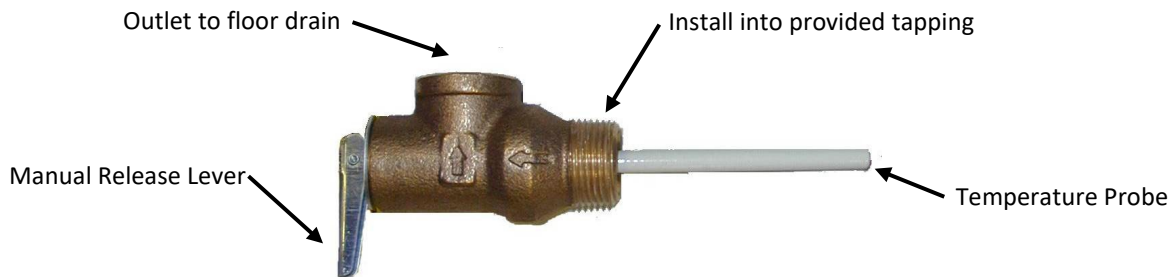
WATER HEATER PLACEMENT

1. Place the heater on a solid foundation in a clean, dry location nearest to the point of hot water use.
2. The water heater should be protected from freezing and waterlines insulated to reduce energy and water waste.
3. Leave a minimum of 18" clearance for element withdrawal, if necessary.
4. Do not install in an area where flammable liquids or combustible vapors are present.

PIPING INSTALLATION

NOTE: The most effective means for preventing deterioration from accelerated corrosion due to galvanic and stray current is the installation of dielectric fittings/unions. The installation of these fittings is the responsibility of the installation contractor.

1. Connect the cold-water inlet and hot water outlet to the appropriate connections as shown; refer to the drawing for location and sizes.
2. Install the combination temperature and pressure safety relief valve in the tapping provided. Note that this is required by law for safety considerations.



Temperature and Pressure Relief Valve

3. Install a relief valve overflow pipe to a nearby floor drain. CAUTION: No valve of any type should be installed between the relief valve and tank or in the drain line.

FILLING THE HEATER

1. Open the pressure relief valve test lever to allow air to escape.
2. Open the valve to the cold-water inlet and allow the heater and piping system to completely fill, as indicated by a steady flow of water from the relief valve.

ELECTRICAL INSTALLATION

1. Enter electric enclosure with properly sized feeder leads. Single-phase installations require two (2) leads; three phase installations require three (3) leads.
2. Install these power leads into the box lugs on the terminal block or magnetic contactor. See the specific drawing for your heater.
3. Torque screws per torque chart included in Section VI.
4. All other electrical connections are made at the factory; therefore, no other electrical connections are necessary.

THERMOSTAT SETTING (BULB AND CAPILLARY IMMERSION TYPE)

The bulb and capillary type thermostat is immersed in a Type 316L stainless steel well in the storage vessel. The full thermostat range is 100-240°F, but should not be operated over 195°F. There is a setting screw, which can be locked at a particular setting to prevent an operator from turning the dial beyond a determined temperature point. To change the locking set screw, open the thermostat cover and follow the printed directions on the inside of the cover. To change the operating temperature setting on the thermostat within the allowed range simply insert a screwdriver in the slot and make the appropriate adjustment to the temperature setting according to the desired point on the dial.

FINAL CHECKS

1. Check all connections for tightness.
2. Ensure that all the above steps are completed.
3. After the water is heated for the first time, monitor the water temperature as described in Section III, Quarterly Inspection.

SECTION III – SCHEDULED MAINTENANCE

WARNING / CAUTION

Before performing any maintenance procedure, make certain power supply is **OFF** and cannot accidentally be turned on.

MAINTENANCE AND OPERATION

The water heater is automatic in its operation. It will maintain a full tank of water at the temperature setting of the thermostat. The water heater should not be turned on without first making sure that the tank is full of water and that all air has been released.

FREEZING

The tank should be fully drained in the event the electricity has been turned off and if there is danger of freezing.

QUARTERLY INSPECTION

1. Monitor thermostat.
 - a. Let the water heater completely heat to a designated thermostat setting.
 - b. After the thermostat satisfies (that is, when the thermostat actually clicks off), draw water from heater.
 - c. Compare the water temperature of drawn water to the temperature setting of the thermostat when it satisfies. Normal variation between the two points is approximately $\pm 5^{\circ}\text{F}$.
 - d. If these two readings do not coincide within acceptable tolerances and verification has been made of the accuracy of the temperature-reading gauge, replace the thermostat.
2. Lift the test lever on relief valve and let water run through valve for a period of approximately 10 seconds. This will help flush away any sediment that might build up in water passageways.
3. Inspect element flange for leakage as follows:
 - a. Shut off Power Supply.
 - b. Remove element housing cover.
 - c. Visually inspect heating element gasket for evidence of leaks.
 - d. Rub finger around gasket that is between the heating element and tank flange for any evidence of moisture. If moisture is present or a water drip is observed, follow the procedure outlined in Section V.
4. Check for loose electrical connections. Tighten as necessary.

ANNUAL INSPECTION

1. Flush tank as follows:
 - a. Shut off the power supply.
 - b. Close valve on hot water outlet piping.
 - c. Open valve on drain piping.
 - d. Cold water inlet line pressure will be strong enough to flush sediment from the bottom of the tank out through the drain. Let the water run for 3-4 minutes.
 - e. Close drain valve.
 - f. Open hot water valve.
 - g. Turn the power supply ON.

SECTION IV – TROUBLESHOOTING

Symptom	Probable Cause	Corrective Action / Remedy
No hot water.	Circuit breaker tripped at source.	Reset circuit breaker.
	Blown fuse in transformer, if installed.	Replace fuse.
	Circuit breaker at control cabinet tripped, if installed.	Reset circuit breaker.
	Blown fuse in element fuse block, if installed.	Replace fuse.
	High limit switch tripped.	Reset high limit switch.
	Loose wires.	Tighten wires. Torque screws per torque chart included in Section VI.
	Heating element inoperable.	Check heating element operation by clamping an Amprobe around each wire to the element. The ampere reading should agree with the nameplate 'AMP' figure.
	Low line voltage.	Have source electrical system checked by an electrician.
	Faulty thermostat.	Move thermostat dial through full range. A definite 'click' should be heard. If not, replace thermostat.
	Faulty low water cut-off, if installed.	Check to see if the tank is full of water. If not, fill the tank. If the problem continues and the tank is full, check for continuity between the common and normally open contact of the relay board. If continuity is not observed, replace low water cut-off.
	Magnetic contactor does not energize.	Replace complete magnetic contactor. Because of the design of this particular contactor, it is more desirable to replace complete control rather than rebuilding coil, contacts and springs, etc.
Water temperature below settings at all times.	Faulty thermostat.	Check thermostat adjustment. Monitor thermostat as described in Section III, Quarterly Inspection. Replace if necessary.
	Heating element not working on all phases.	Check to see that heating element is working on all phases, by checking the resistance (ohms) value for each element and comparing with the chart included in Section VI.
	Blown fuse in element fuse block, if installed.	Replace fuse.
	Heater improperly sized.	Verify heater is properly sized for the flow rate and temperature rise of your system. See formulas included in Section VI. Replace elements with proper size as necessary.
Relief valve discharges continuously.	Excessive temperature or pressure in tank.	Temperature and pressure relief valves are made to operate if the water temperature exceeds 210°F or water pressure exceeds the pressure rating of the safety relief valve. If trouble is excessive temperature, then thermostat is not shutting off at the right setting and thermostat must be replaced.

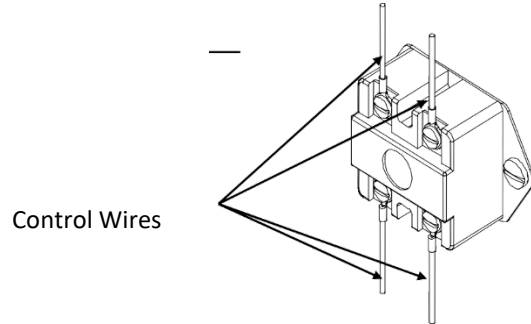
SECTION V - SERVICING & REPLACEMENT OF PARTS

WARNING / CAUTION

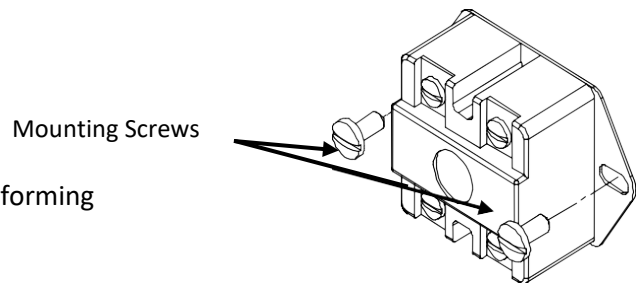
Before servicing or replacing any part make sure to turn the power supply switch to the **OFF** position.

SURFACE TEMPERATURE HIGH LIMIT CUT-OFF

1. Disconnect power from unit.
2. Remove access cover.
3. Disconnect the four (4) 14-gauge wires.
4. Remove the two (2) mounting screws.



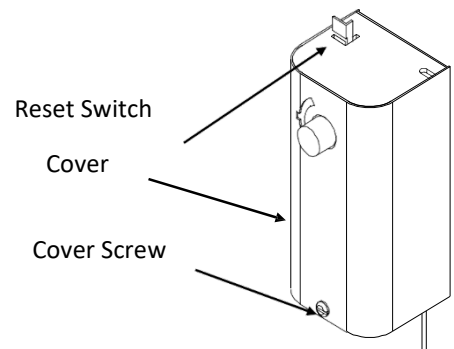
5. Replace control and install new high limit switch by performing above steps in reverse order.



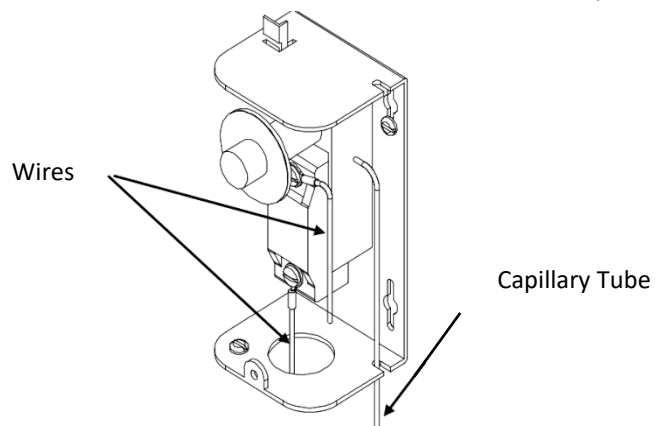
Note: See wiring diagram included with drawing for assistance.

IMMERSION TEMPERATURE HIGH LIMIT CUT-OFF

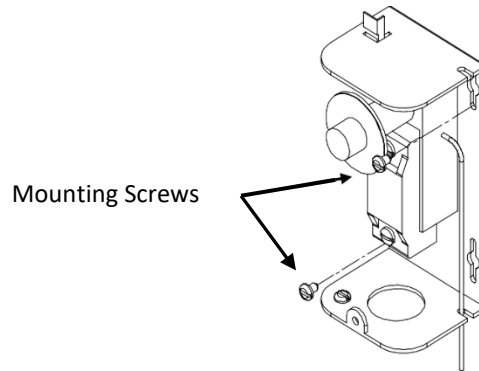
1. Disconnect power from unit.
2. Remove access cover.
3. Remove high limit cover screw and cover.



4. Disconnect the two (2) 14-gauge wires.



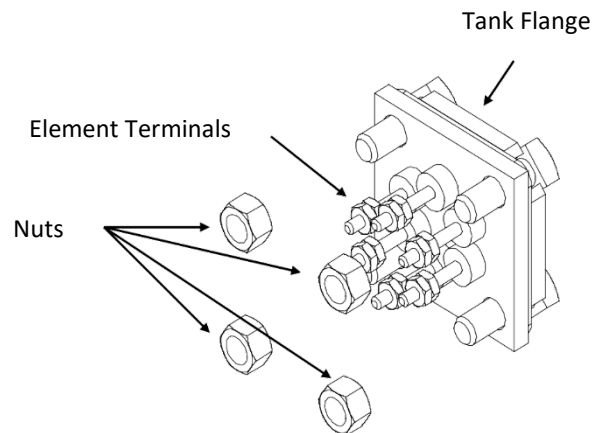
5. Remove capillary tube and bulb from thermowell.
6. Remove two (2) mounting screws.



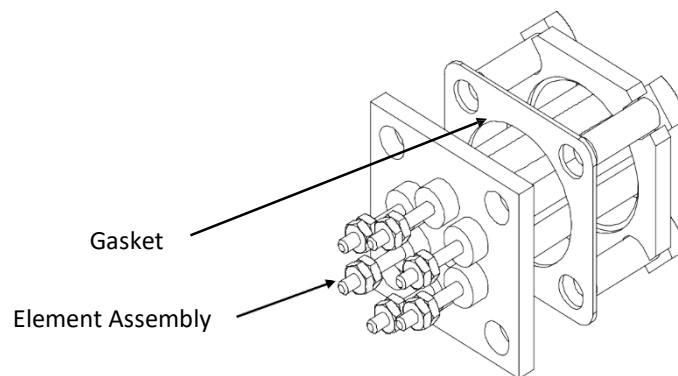
7. Remove control and install new high limit switch by performing above steps in reverse order. (Note: Be sure to place capillary tube into slot in base prior to installing cover.)

HEATING ELEMENT

1. Disconnect power from unit.
2. Shut off incoming water supply.
3. Attach hose to drain connection.
4. Lift manual release lever on relief valve to let air into system or break union on outgoing water line.
5. Drain water from tank.
6. Disconnect the wires from the heating element terminals.
7. Remove the 3/8-16 nuts.

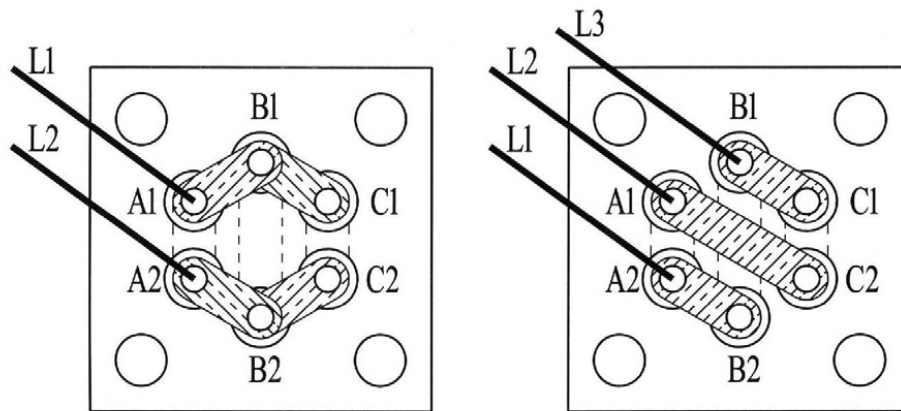


8. Withdraw element assembly and remove gasket.



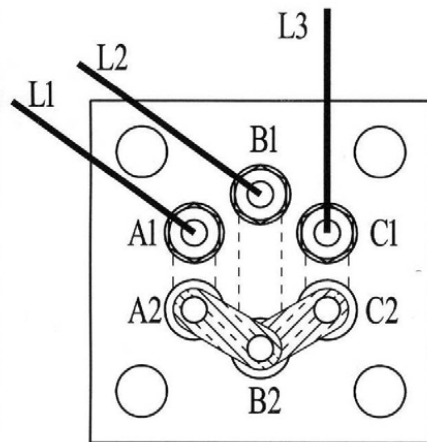
9. Install a new gasket and insert a new heating element.
10. Rewire element according to the voltage and phase rating of the unit as shown on page 14.
11. Fill the tank and check around the gasket for any leaks.

JUMPER CONFIGURATION

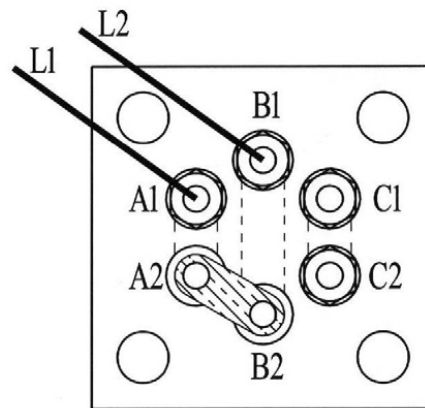


1 PHASE
208 OR 240 VOLT

3 PHASE DELTA
208 OR 240 VOLT



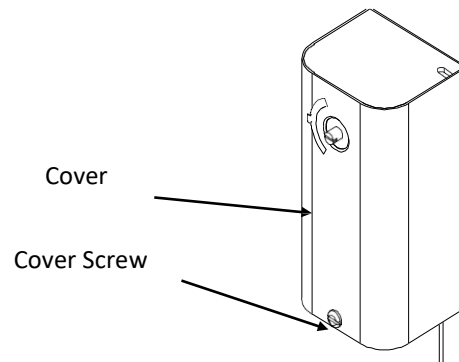
3 PHASE WYE
380 TO 575 VOLT



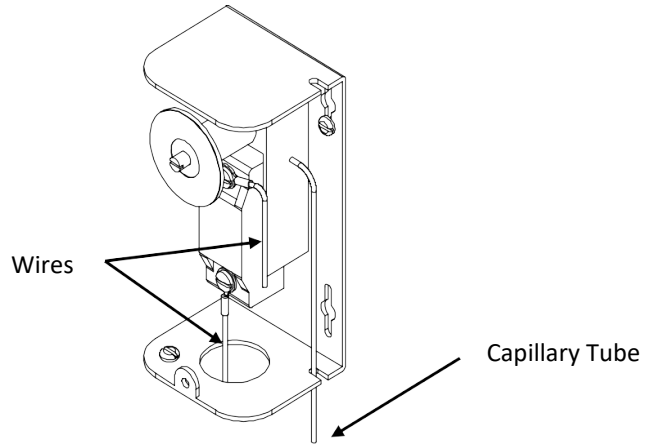
1 PHASE
480 VOLT

IMMERSION THERMOSTAT

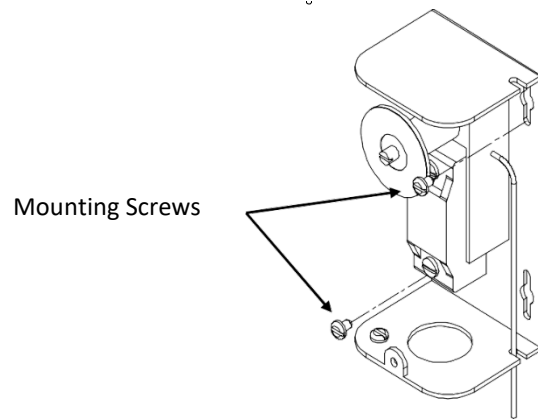
1. Disconnect power from unit.
2. Remove access cover and locate thermostat.
3. Remove high limit cover screw and cover.



4. Disconnect the two (2) 14-gauge wires.



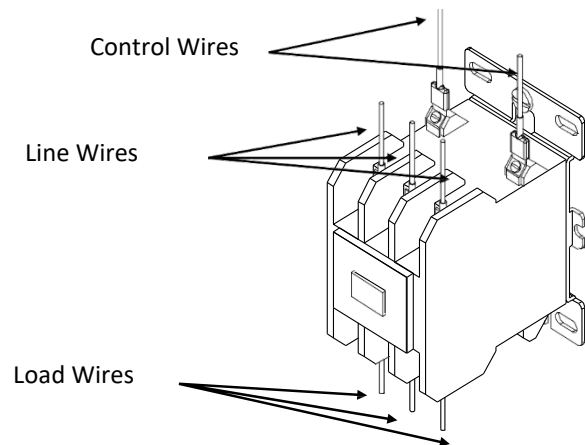
5. Remove capillary tube and bulb from thermowell.
6. Remove two (2) mounting screws.



7. Replace thermostat using reverse procedure. (Note: Be sure to place capillary tube into slot in base prior to installing cover.)

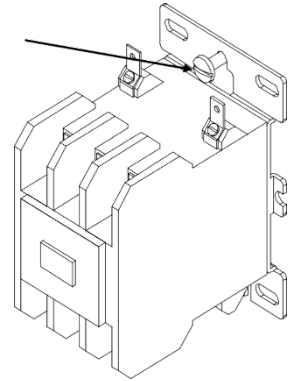
MAGNETIC CONTACTOR

1. Disconnect power from unit.
2. Disconnect line and load wires to contactor.
3. Disconnect two (2) 14-gauge control circuit wires.



4. Loosen two (2) holding screws and remove contactor.

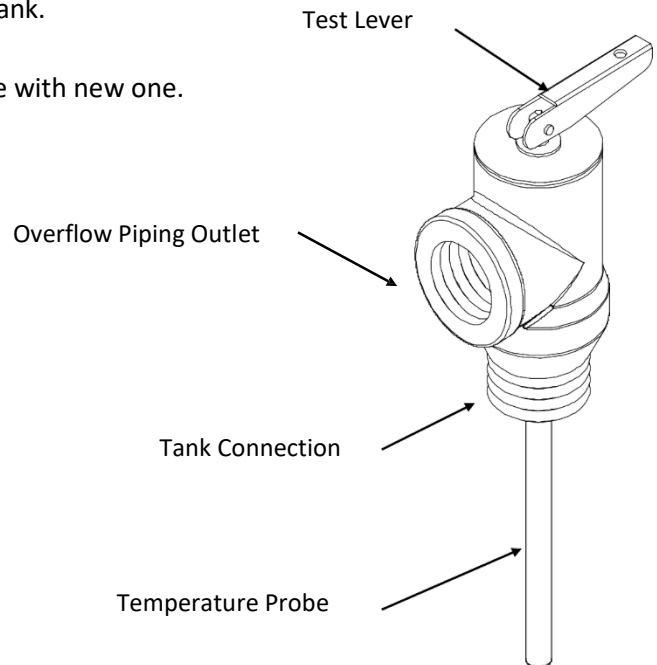
Mounting Screws
(Bottom screw not shown)



5. Replace with new contactor using reverse procedure.

RELIEF VALVE

1. Disconnect power from unit.
2. Shut off incoming water supply.
3. Lift test lever on relief valve to relieve pressure in tank.
4. Disconnect overflow piping.
5. Unscrew relief valve, remove assembly, and replace with new one.
6. Connect overflow piping.
7. Turn on incoming water supply and check for leaks.
8. Turn the safety switch to ON position.



SECTION VI – MISCELLANEOUS CHARTS AND FORMULAS

ELEMENT CHART

Element Part #	Power (kW)			Immersion Length	Resistance (Ohms)			
	208V	240V	480V		Hairpin	1 Φ	3 Φ DELTA	3 Φ WYE
50-38683SSN	5	6	8	13"	27.9	9.3	27.9	18.7
60-38683SSN	6	8	10	13"	21.6	7.2	21.6	14.5
70-38683SSN	8	10	12	13"	17.1	5.7	17.1	11.5
80-38683SSN	10	12	15	13"	14.4	4.8	14.4	9.6
90-38683SSN	12	15	20	15"	12.1	4.0	12.1	8.1
100-38683SSN	15	20	----	15"	9.1	3.0	9.1	6.1
110-38683SSN	17.3	----	----	15"	7.5	2.5	7.5	5.0

FORMULAS

RECOVERY

$$\text{GPH} \times \text{_____} \text{ } ^\circ\text{F } \Delta\text{T} \times 0.00244 = \text{KW}$$

$$\text{KW} \times 410 \div \text{GPH} = \text{_____} \text{ } ^\circ\text{F } \Delta\text{T}$$

$$\text{KW} \times 410 \div \text{_____} \text{ } ^\circ\text{F } \Delta\text{T} = \text{GPH}$$

Note: 1 KW will heat 4.1 GPH at a 100°F ΔT

ELECTRICAL

$$\frac{\text{KW} \times 1000}{\text{Volts}} \div 1.73 = \text{Amps } 3 \Phi$$

$$\frac{\text{KW} \times 1000}{\text{Volts}} = \text{Amps } 1 \Phi$$

METRIC CONVERSION

$$\text{Liters} \times 0.2641 = \text{Gallons}$$

$$\text{Gallons} \times 3.79 = \text{Liters}$$

$$\text{Gallons} \times 0.003785 = \text{m}^3$$

$$\text{m}^3 \times 264.2 = \text{Gallons}$$

$$1^\circ\text{C } \Delta\text{T} = 1.8^\circ\text{F } \Delta\text{T}$$

$$^\circ\text{F} = (^\circ\text{C} \times 1.8) + 32$$

$$^\circ\text{C} = (^\circ\text{F} - 32) \times 0.556$$

$$\text{psi} \times 0.06896 = \text{Bar}$$

$$\text{Bar} \times 14.5 = \text{psi}$$

$$\text{psi} \times 6.86 = \text{kPa}$$

$$\text{kPa} \times 0.1456 = \text{psi}$$

$$\text{Lbs} \times 0.4536 = \text{Kg}$$

$$\text{Kg} \times 2.2 = \text{Lbs}$$

$$\text{Watts/Sq.Cm.} \times 6.4 = \text{Watts/Sq.In.}$$

$$\text{Watts/Sq.In.} \times 0.155 = \text{Watts/Sq.Cm.}$$

TORQUE VALUES

BOLT SIZE	18-8 S/S IN.-LBS.	BRASS IN.-LBS.	SILICON BRONZE IN.-LBS.	ALUMINUM 2024-T4 IN.-LBS.	316 S/S IN.- LBS.	MONEL IN.-LBS.
4-40	5.2	4.3	4.8	2.9	5.5	5.3
4-48	6.6	5.4	6.1	3.6	6.9	6.7
5-40	7.7	6.3	7.1	4.2	8.1	7.8
5-44	9.4	7.7	8.7	5.1	9.8	9.6
6-32	9.6	7.9	8.9	5.3	10.1	9.8
6-40	12.1	9.9	11.2	6.6	12.7	12.3
8-32	19.8	16.2	18.4	10.8	20.7	20.2
8-36	22.0	18.0	20.4	12.0	23.0	22.4
10-24	22.8	18.6	21.2	13.8	23.8	25.9
10-32	31.7	25.9	29.3	19.2	33.1	34.9
1/4-20	75.2	61.5	68.8	45.6	78.8	85.3
1/4-28	94.0	77.0	87.0	57.0	99.0	106.0
5/16-18	132	107	123	80	138	149
5/16-24	142	116	131	86	147	160
3/8-16	236	192	219	143	247	266
3/8-24	259	212	240	157	271	294
7/16-14	376	317	349	228	393	427
7/16-20	400	327	371	242	418	451
1/2-13	517	422	480	313	542	584
1/2-20	541	443	502	328	565	613
9/16-12	682	558	632	413	713	774
9/16-18	752	615	697	456	787	855
5/8-11	1110	907	1030	715	1160	1330
5/8-18	1244	1016	1154	798	1301	1482
3/4-10	1530	1249	1416	980	1582	1832
3/4-16	1490	1220	1382	958	1558	1790
7/8-9	2328	1905	2140	1495	2430	2775
7/8-14	2318	1895	2130	1490	2420	2755
1-8	3440	2815	3185	2205	3595	4130
1-14	3110	2545	2885	1995	3250	3730

HUBBELL ELECTRIC HEATER COMPANY

45 SEYMOUR STREET
 STRATFORD, CT 06615
 PHONE: (203) 378-2659
 FAX: (203) 378-3593
Hubbellheaters.com