

hatcocorp.com

Register Online!  
(see page 2)

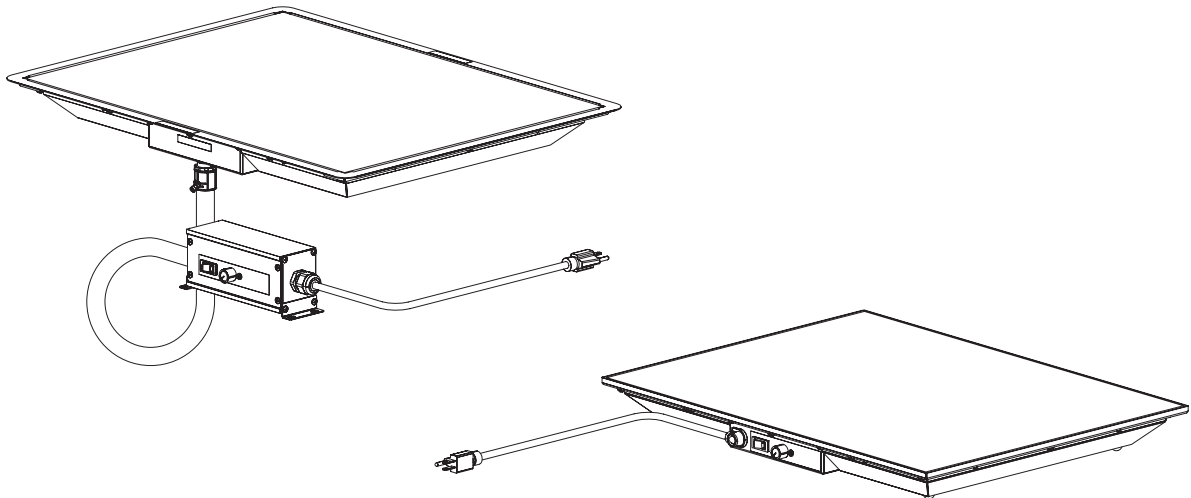
S'inscrire en ligne!  
(voir page 15)



# Heated Glass Shelves Plaques chauffantes en vitrocéramique

## HBG and HBGB Series/Série

### Installation and Operating Manual Manuel d'installation et d'utilisation



#### **⚠ WARNING**

Do not operate this equipment unless you have read and understood the contents of this manual! Failure to follow the instructions contained in this manual may result in serious injury or death. This manual contains important safety information concerning the maintenance, use, and operation of this product. If you're unable to understand the contents of this manual, please bring it to the attention of your supervisor. Keep this manual in a safe location for future reference.

English = p 2

#### **⚠ ADVERTENCIA**

No opere este equipo al menos que haya leído y comprendido el contenido de este manual! Cualquier falla en el seguimiento de las instrucciones contenidas en este manual puede resultar en un serio lesión o muerte. Este manual contiene importante información sobre seguridad concerniente al mantenimiento, uso y operación de este producto. Si usted no puede entender el contenido de este manual por favor pregunte a su supervisor. Almacenar este manual en una localización segura para la referencia futura.

#### **⚠ AVERTISSEMENT**

Ne pas utiliser cet équipement sans avoir lu et compris le contenu de ce manuel ! Le non-respect des instructions contenues dans ce manuel peut entraîner de graves blessures ou la mort. Ce manuel contient des informations importantes concernant l'entretien, l'utilisation et le fonctionnement de ce produit. Si vous ne comprenez pas le contenu de ce manuel, veuillez le signaler à votre supérieur. Conservez ce manuel dans un endroit sûr pour pouvoir vous y référer plus tard.

Français = p 15

**Important Owner Information**..... 2  
**Introduction**..... 2  
**Important Safety Information** ..... 3  
**Model Description** ..... 4  
**Model Designation** ..... 4  
**Specifications** ..... 5  
    Plug Configurations ..... 5  
    Electrical Rating Chart..... 5  
    Dimensions ..... 6  
**Installation**..... 7  
    General ..... 7  
    HBG Models ..... 7  
    HBGB Models ..... 7  
    HBGB Countertop Cutout Chart..... 8

**Operation**..... 9  
    General ..... 9  
**Maintenance**..... 10  
    General ..... 10  
    Daily Cleaning ..... 10  
    Cleaning Sugary/Sticky Spills..... 10  
    Cleaning Burned-On Residue ..... 10  
    Cleaning Metal Marks and Scratches ..... 10  
**Troubleshooting Guide** ..... 11  
**Options and Accessories** ..... 11  
**International Limited Warranty** ..... 14  
**Service Information**..... 14

**IMPORTANT OWNER INFORMATION**

Record the model number, serial number (specification label located on the bottom of the unit), voltage, and purchase date of the unit in the spaces below. Please have this information available when calling Hatco for service assistance.

Model No. \_\_\_\_\_  
Serial No. \_\_\_\_\_  
Voltage \_\_\_\_\_  
Date of Purchase \_\_\_\_\_

Business Hours: 7:00 AM to 5:00 PM Monday–Friday, Central Time (CT)  
(Summer Hours: June to September—  
7:00 AM to 5:00 PM Monday–Thursday  
7:00 AM to 4:00 PM Friday)

Telephone: 800-558-0607; 414-671-6350

E-mail: support@hatcocorp.com



24 Hour 7 Day Parts and Service Assistance available in the United States and Canada by calling 800-558-0607.

Additional information can be found by visiting our web site at [www.hatcocorp.com](http://www.hatcocorp.com).

**Register your unit!**

• Completing online warranty registration will prevent delay in obtaining warranty coverage. Access the Hatco website at [www.hatcocorp.com](http://www.hatcocorp.com), select the *Support* pull-down menu, and click on “Warranty”.

**INTRODUCTION**

Hatco Heated Glass Shelves are designed to hold food hot safely while blending into the surrounding décor. They will keep food at proper serving temperatures without affecting quality. These units feature a thermostatically-controlled heated glass base that extends the food holding times.

Heated Glass Shelves are a product of extensive research and field testing. The materials used were selected for maximum durability, attractive appearance, and optimum performance. Every unit is inspected and tested thoroughly prior to shipment.

This manual provides the installation, safety, and operating instructions for Heated Glass Shelves. Hatco recommends all installation, operating, and safety instructions appearing in this manual be read prior to installation or operation of a unit.

Safety information that appears in this manual is identified by the following signal word panels:



**WARNING** indicates a hazardous situation which, if not avoided, could result in death or serious injury.



**CAUTION** indicates a hazardous situation which, if not avoided, could result in minor or moderate injury.



**NOTICE** is used to address practices not related to personal injury.



Read the following important safety information before using this equipment to avoid serious injury or death and to avoid damage to equipment or property.

### WARNING

#### ELECTRIC SHOCK HAZARD:

- Plug unit into a properly grounded electrical receptacle of the correct voltage, size, and plug configuration. If plug and receptacle do not match, contact a qualified electrician to determine and install proper voltage and size electrical receptacle.
- Turn OFF power switch, unplug power cord, and allow unit to cool before performing any cleaning, adjustments, or maintenance.
- DO NOT submerge or saturate with water. Unit is not waterproof. Do not operate if unit has been submerged or saturated with water.
- This unit is not “jet-proof” construction. Do not use jet-clean spray to clean this unit.
- Unit is not weatherproof. Locate unit indoors where the ambient air temperature is a minimum of 70°F (21°C).
- Do not pull unit by power cord.
- Discontinue use if power cord is frayed or worn.
- Do not attempt to repair or replace a damaged power cord. The cord must be replaced by Hatco, an Authorized Hatco Service Agent, or a person with similar qualifications.
- Use only Genuine Hatco Replacement Parts when service is required. Failure to use Genuine Hatco Replacement Parts will void all warranties and may subject operators of the equipment to hazardous electrical voltage, resulting in electrical shock or burn. Genuine Hatco Replacement Parts are specified to operate safely in the environments in which they are used. Some aftermarket or generic replacement parts do not have the characteristics that will allow them to operate safely in Hatco equipment.

**FIRE HAZARD:** Locate unit a minimum of 1” (25 mm) from combustible walls and materials. If safe distances are not maintained, combustion or discoloration could occur.

Make sure food product has been heated to the proper food-safe temperature before placing on the unit. Failure to heat food product properly may result in serious health risks. This unit is for holding preheated food product only.

This unit has no “user-serviceable” parts. If service is required on this unit, contact an Authorized Hatco Service Agent or contact the Hatco Service Department.

Make sure all operators have been instructed on the safe and proper use of the unit.

This unit is not intended for use by children or persons with reduced physical, sensory, or mental capabilities. Ensure proper supervision of children and keep them away from the unit.

### CAUTION

**BURN HAZARD:** Some exterior surfaces on unit will get hot. Use caution when touching these areas.

Locate unit at the proper counter height in an area that is convenient for use. The location should be level to prevent the unit or its contents from falling accidentally and strong enough to support the weight of the unit and contents.

Do not operate built-in models without the control box mounted properly as described in the installation instructions.

The National Sanitation Foundation (NSF) requires that units over 36” (914 mm) in width or weighing more than 80 lbs. (36 kg) either be sealed to or raised above the installation surface. If unit cannot be sealed at the point of use, 4” (102 mm) legs are included to allow for proper cleaning access below unit.

Pitting or indentation in the glass surface may occur from sugary spills. If pitting or indentation occurs, the glass surface must be replaced. To prevent further damage and possible injury from broken glass, stop using unit immediately and contact an Authorized Hatco Service Agent.

### NOTICE

Damage to any countertop material caused by heat generated from Hatco equipment is not covered under the Hatco warranty. Contact the manufacturer of the countertop material for application information.

Do not modify wiring or cut thermostat capillary on control box to increase remote mounting distance. Cutting thermostat capillary will cause unit to overheat and may damage unit as well as surrounding countertop.

Do not turn on unit until it has been cleaned thoroughly. Ceramic glass surface must be clear of debris to prevent burn-on.

Do not slide pans across glass surface, use rough-bottomed pans, or drop anything on glass surface. Scratching or breakage may occur. Damage to glass surface or breakage of glass caused by misuse is not covered under warranty.

Use only wipes, pads, and cleaners designed specifically for cleaning ceramic glass surfaces. Using other wipes, pads, or cleaners may damage ceramic glass surface.

Do not install remote mounted control box in an area subject to temperatures above 85°F (29°C). Excessive temperatures will cause control(s) to overheat, malfunction, and fail.

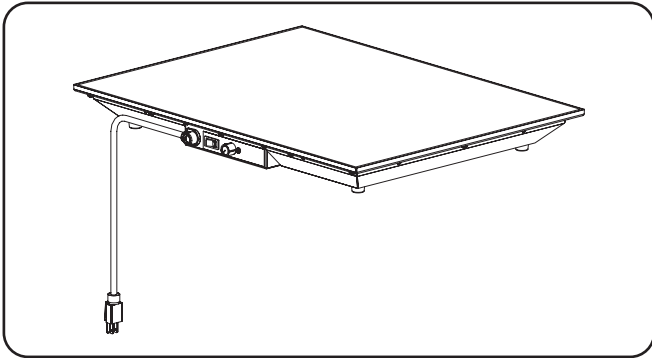
## All Models

All Hatco Heated Glass Shelves are ideal for pass through areas, buffet lines, and **as** hors d'oeuvre displays. National Sanitation Foundation (NSF) approval allows the placement of food product directly on the glass surface, if desired. Standard equipment includes an illuminated Power I/O (on/off) switch, a thermostatically-controlled heated ceramic glass top, and a painted steel base. The Heated Glass Shelves have a temperature range of 100° to 200°F (38° to 93°C). Heated Glass Shelves come standard with black glass and are available with white glass **as** a factory installed option.

*NOTE: The specification label is located on the bottom of the unit. See label for serial number and verification of unit electrical information.*

## HBG Models

The HBG Heated Glass shelf is a portable shelf with an attached 6' (1829 mm) cord and plug. The portable unit is available in six models: **HBG-2418**, **HBG-3018**, **HBG-3618**, **HBG-4818**, **HBG-6018** and **HBG-7218**.

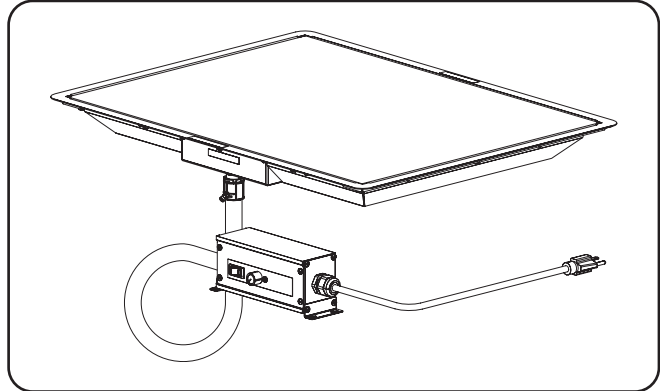


Model HBG

## HBGB Models

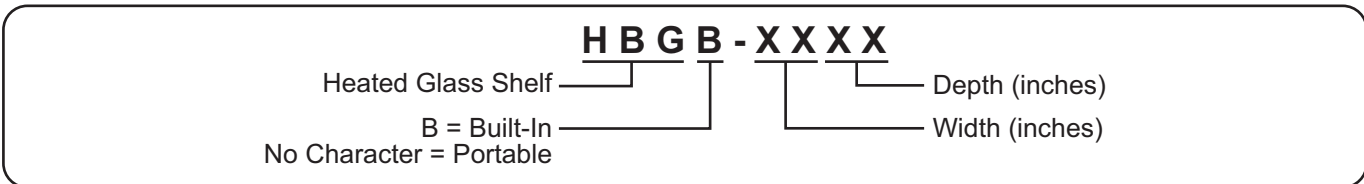
The HBGB Heated Glass shelf is a built-in unit that is equipped with an attached trim mounting ring. The unit includes a remote-mounted control box that is attached with 3' (914 mm) of conduit. A 6' (1829 mm) cord with plug connects the control box to the power source.

The built-in units are available in six models: **HBGB-2418**, **HBGB-3018**, **HBGB-3618**, **HBGB-4818**, **HBGB-6018** and **HBGB-7218**.



Model HBGB

# MODEL DESIGNATION

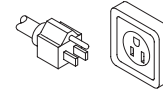


### Plug Configurations

Units are supplied from the factory with an electrical cord and plug installed. Plugs are supplied according to the application.



**ELECTRIC SHOCK HAZARD:** Plug unit into a properly grounded electrical receptacle of the correct voltage, size, and plug configuration. If plug and receptacle do not match, contact a qualified electrician to determine and install proper voltage and size electrical receptacle.



NEMA 5-15P

Plug Configurations

*NOTE: Receptacle not supplied by Hatco.*

### Electrical Rating Chart — HBG Models

Model	Voltage	Watts	Amps	Plug Configuration	Shipping Weight
<a href="#">HBG-2418</a>	120	425	3.5	NEMA 5-15P	29 lbs. (13 kg)
<a href="#">HBG-3018</a>	120	525	4.4	NEMA 5-15P	33 lbs. (15 kg)
<a href="#">HBG-3618</a>	120	630	5.3	NEMA 5-15P	36 lbs. (16 kg)
<a href="#">HBG-4818</a>	120	850	7.1	NEMA 5-15P	42 lbs. (19 kg)
<a href="#">HBG-6018</a>	120	1050	8.8	NEMA 5-15P	60 lbs. (27 kg)
<a href="#">HBG-7218</a>	120	1260	10.5	NEMA 5-15P	68 lbs. (31 kg)

### Electrical Rating Chart — HBGB Models

Model	Voltage	Watts	Amps	Plug Configuration	Shipping Weight
<a href="#">HBGB-2418</a>	120	425	3.5	NEMA 5-15P	32 lbs. (15 kg)
<a href="#">HBGB-3018</a>	120	525	4.4	NEMA 5-15P	37 lbs. (17 kg)
<a href="#">HBGB-3618</a>	120	630	5.3	NEMA 5-15P	40 lbs. (18 kg)
<a href="#">HBGB-4818</a>	120	850	7.1	NEMA 5-15P	50 lbs. (23 kg)
<a href="#">HBGB-6018</a>	120	1050	8.8	NEMA 5-15P	63 lbs. (29 kg)
<a href="#">HBGB-7218</a>	120	1260	10.5	NEMA 5-15P	74 lbs. (34 kg)

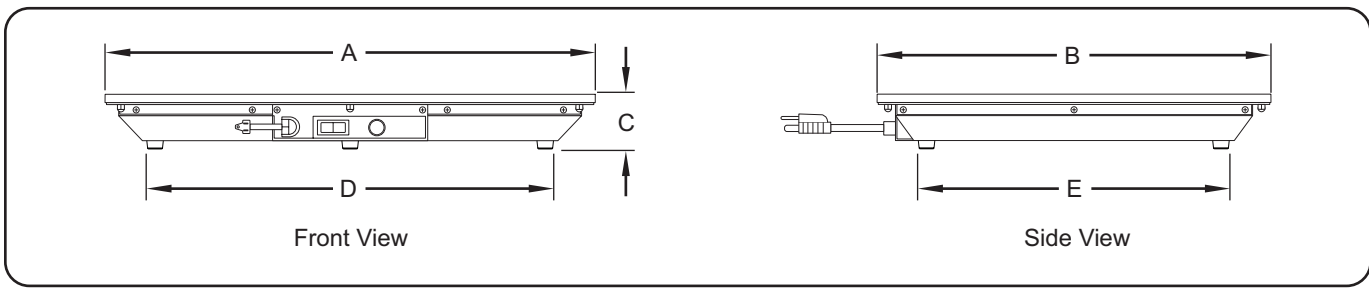
*NOTE: Shipping weight includes packaging.*

*NOTE: The specification label is located on the bottom of the unit. See label for serial number and verification of unit electrical information.*

## Dimensions — HBG Models

Model	Width (A)	Depth (B)	Height (C)	Footprint Width (D)	Footprint Depth (E)
HBG-2418	24-3/8" (618 mm)	18-3/8" (466 mm)	2-1/2" (63 mm)	19-3/4" (503 mm)	13-3/4" (351 mm)
HBG-3018	30-3/8" (771 mm)	18-3/8" (466 mm)	2-1/2" (63 mm)	25-3/4" (656 mm)	13-3/4" (351 mm)
HBG-3618 †	36-3/8" (923 mm)	18-3/8" (466 mm)	6-1/8" (155 mm)	30-3/4" (780 mm)	12-3/4" (325 mm)
HBG-4818 †	48-3/8" (1228 mm)	18-3/8" (466 mm)	6-1/8" (155 mm)	42-3/4" (1086 mm)	12-3/4" (325 mm)
HBG-6018 †	60-3/8" (1533 mm)	18-3/8" (466 mm)	6-1/8" (155 mm)	54-3/4" (1391 mm)	12-3/4" (325 mm)
HBG-7218 †	72-3/8" (1838 mm)	18-3/8" (466 mm)	6-1/8" (155 mm)	66-3/4" (1696 mm)	12-3/4" (325 mm)

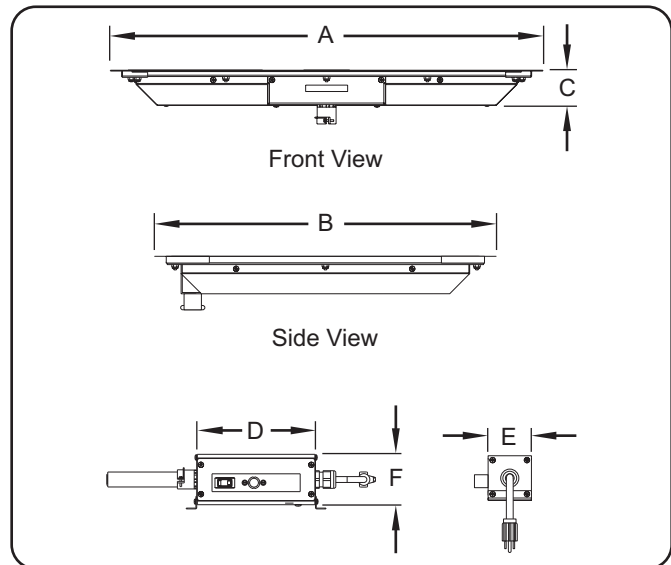
† Height (C) includes 4" (102 mm) legs.



Dimensions

## Dimensions — HBGB Models

Model	Width (A)	Depth (B)	Height (C)
HBGB-2418	25-5/8" (651 mm)	19-5/8" (498 mm)	2-3/16" (55 mm)
HBGB-3018	31-5/8" (803 mm)	19-5/8" (498 mm)	2-3/16" (55 mm)
HBGB-3618	37-5/8" (955 mm)	19-5/8" (498 mm)	2-3/16" (55 mm)
HBGB-4818	49-5/8" (1260 mm)	19-5/8" (498 mm)	2-3/16" (55 mm)
HBGB-6018	61-5/8" (1565 mm)	19-5/8" (498 mm)	2-3/16" (55 mm)
HBGB-7218	73-5/8" (1870 mm)	19-5/8" (498 mm)	2-3/16" (55 mm)



Dimensions

Model	Width (D)	Depth (E)	Height (F)
Remote Box	7" (178 mm)	2-1/2" (64 mm)	3" (76 mm)

**NOTICE**

Refer to the **INSTALLATION** section of this manual for actual countertop and remote box cutout dimensions.

## General

Use the following procedures to install the HBG and HBGB units.

### WARNING

**ELECTRIC SHOCK HAZARD:** Unit is not weatherproof. Locate unit indoors where the ambient air temperature is a minimum of 70°F (21°C).

**FIRE HAZARD:** Locate unit a minimum of 1" (25 mm) from combustible walls and materials. If safe distances are not maintained, combustion or discoloration could occur.

### CAUTION

Locate unit at the proper counter height in an area that is convenient for use. The location should be level to prevent the unit or its contents from falling accidentally and strong enough to support the weight of the unit and contents.

The National Sanitation Foundation (NSF) requires that units over 36" (914 mm) in width or weighing more than 80 lbs. (36 kg) either be sealed to or raised above the installation surface. If this unit cannot be sealed at the point of use, 102 mm (4") legs are included to allow for proper cleaning access below the unit.

### NOTICE

Do not turn on unit until it has been cleaned thoroughly. Ceramic glass surface must be clear of debris to prevent burn-on.

Do not lay unit on the side with the control panel or damage to the unit could occur.

## HBG Models

1. Remove unit from box.

**NOTE:** To prevent delay in obtaining warranty coverage, complete online warranty registration. See the IMPORTANT OWNER INFORMATION section for details.

2. Remove tape and protective packaging from all surfaces of unit.

**NOTE:** If 4" (102 mm) legs are required, refer to the OPTIONS AND ACCESSORIES section in this manual for installation instructions. 4" (102 mm) legs are included with models greater than 36" (1041 mm) in width.

3. Place the unit in the desired location.
  - Locate the unit in an area where the ambient air temperature is constant and a minimum of 70°F (21°C). Avoid areas that may be subject to active air movements or currents (i.e., near exhaust fans/hoods, air conditioning ducts, and exterior doors).
  - Make sure the unit is at the proper counter height in an area convenient for use.
  - Make sure the countertop is level and strong enough to support the weight of the unit and food product.
  - Make sure all the feet on the bottom of the unit are positioned securely on the countertop.

4. Install any accessories that came with the unit. Refer to the OPTIONS AND ACCESSORIES section for details.

## HBGB Models

### CAUTION

Do not operate built-in models without the control box mounted properly as described in the installation instructions.

### NOTICE

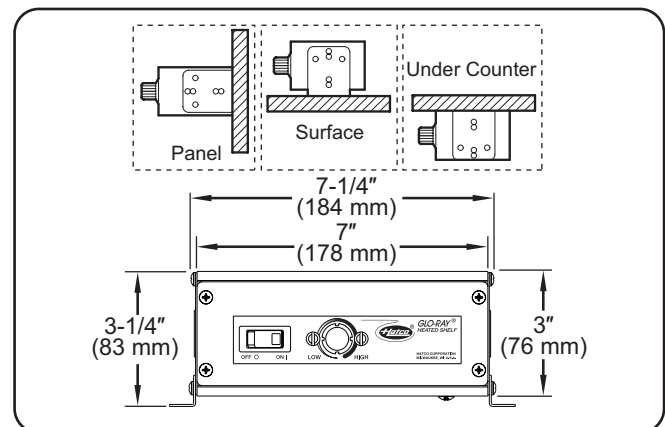
Unit is designed and recommended for use in or on metallic countertops. Damage to any countertop material caused by heat generated from Hatco equipment is not covered under the Hatco warranty. Verify with the manufacturer that the material is suitable for prolonged temperatures up to 200°F (93°C).

Do not turn on unit until it has been cleaned thoroughly. Ceramic glass surface must be clear of debris to prevent burn-on.

1. Remove unit from box.

**NOTE:** To prevent delay in obtaining warranty coverage, complete online warranty registration. See the IMPORTANT OWNER INFORMATION section for details.

2. Remove tape and protective packaging from all surfaces of unit.
3. Prepare the countertop opening. Refer to the "HBGB Countertop Cutout Chart" in this section for recommended countertop cutout dimensions.
4. Apply a bead of NSF-approved sealant on the top edge of the countertop cutout and the underside of the trim mounting ring. The sealant must be rated for use at a minimum temperature of 250°F (121°C).
5. Place the unit into the countertop opening.
6. Remove any excess sealant.
7. Locate the remote-mounted control box assembly in an area that is convenient for operation. If desired or necessary, the control box can be mounted in a semi-remote location.
  - The control box can be panel, surface, or under counter mounted. If recess mounting, the control box will require a mounting cutout of 7-1/4" W x 3-1/4" H (184 x 83 mm).
  - The distance the control box can be mounted from the unit is determined by the 3' (914 mm) conduit (optional conduit lengths of 6' [1829 mm] and 10' [3048 mm] are also available). Do not pull the conduit tight to increase the mounting distance. The conduit should have some slack after the control box is mounted.



Control Box Mounting Options

continued...

**NOTICE**

Do not modify wiring or cut thermostat capillary on control box to increase-remote mounting distance. Cutting the thermostat capillary will cause the unit to overheat and may damage the unit as well as the surrounding countertop.

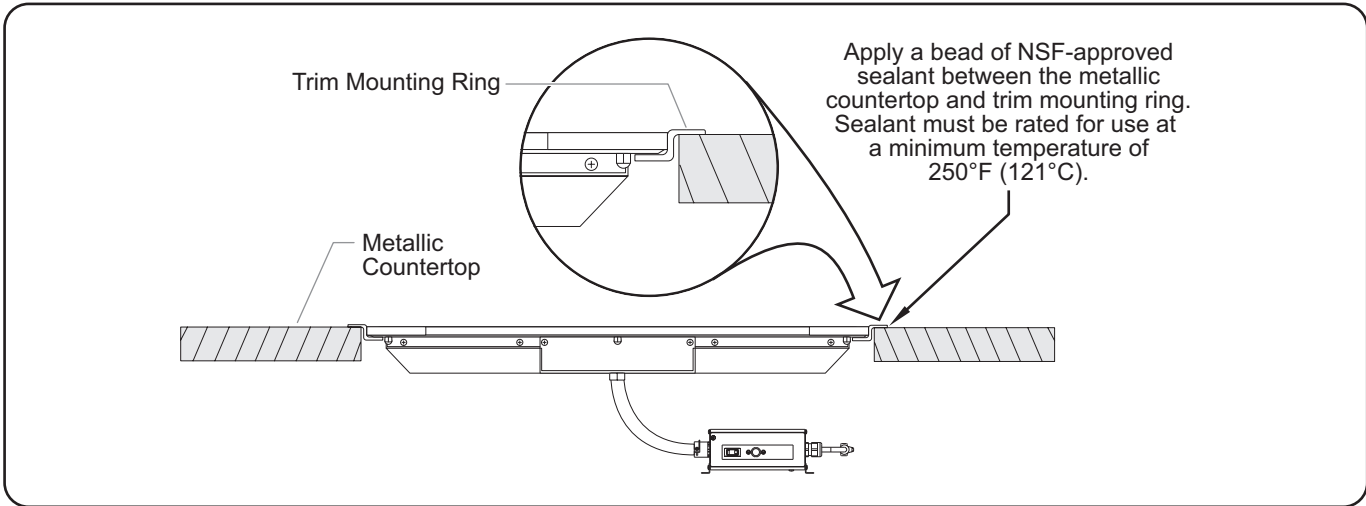
NOTE: The remote-mounted control box should be mounted using screws with a 1/4" (6 mm) minimum diameter screw head inserted through the keyholes located on the mounting brackets. The control box is to be readily removable, not permanently mounted.

8. Once all components are secured, proceed to the Operation section.

NOTE: A 6' (1829 mm) cord is supplied with this unit. Excess cord should be routed neatly so it does not hang down. Do NOT cut cord, any modification to the cord voids warranty.

## HBGB Countertop Cutout Chart

Model	Width	Depth
HBGB-2418	24-5/8" (625 mm) — 24-7/8" (632 mm)	18-5/8" (473 mm) — 18-7/8" (480 mm)
HBGB-3018	30-5/8" (778 mm) — 30-7/8" (784 mm)	18-5/8" (473 mm) — 18-7/8" (480 mm)
HBGB-3618	36-5/8" (930 mm) — 36-7/8" (936 mm)	18-5/8" (473 mm) — 18-7/8" (480 mm)
HBGB-4818	48-5/8" (1235 mm) — 48-7/8" (1241 mm)	18-5/8" (473 mm) — 18-7/8" (480 mm)
HBGB-6018	60-5/8" (1540 mm) — 60-7/8" (1546 mm)	18-5/8" (473 mm) — 18-7/8" (480 mm)
HBGB-7218	72-5/8" (1845 mm) — 72-7/8" (1851 mm)	18-5/8" (473 mm) — 18-7/8" (480 mm)



HBGB Built-In Installation

## General

Use the following procedure to turn on and operate a Heated Glass Shelf.

### **WARNING**

Read all safety messages in the **IMPORTANT SAFETY INFORMATION** section before operating this equipment.

### **NOTICE**

Do not turn on unit until it has been cleaned thoroughly. Ceramic glass surface must be clear of debris to prevent burn-on.

Use only wipes, pads, and cleaners designed specifically for cleaning ceramic glass surfaces. Using other wipes, pads, or cleaners may damage ceramic glass surface.

Do not slide pans across glass surface, use rough-bottomed pans, or drop anything on glass surface. Scratching or breakage may occur. Damage to glass surface or breakage of glass caused by misuse is not covered under warranty.

## Startup

1. Using an appropriate cleaning wipe or a damp cloth, clean the glass surface of the unit. Consistent daily cleaning will keep cleanup easy as well as protect and preserve the glass surface of the unit.
2. Plug unit into a properly grounded electrical receptacle of the correct voltage, size, and plug configuration. See the SPECIFICATIONS section for details.
3. Move the Power I/O (on/off) switch to the I (on) position.

### **CAUTION**

**BURN HAZARD: Some exterior surfaces on the unit will get hot. Use caution when touching these areas.**

4. Turn the temperature control to the desired temperature setting.

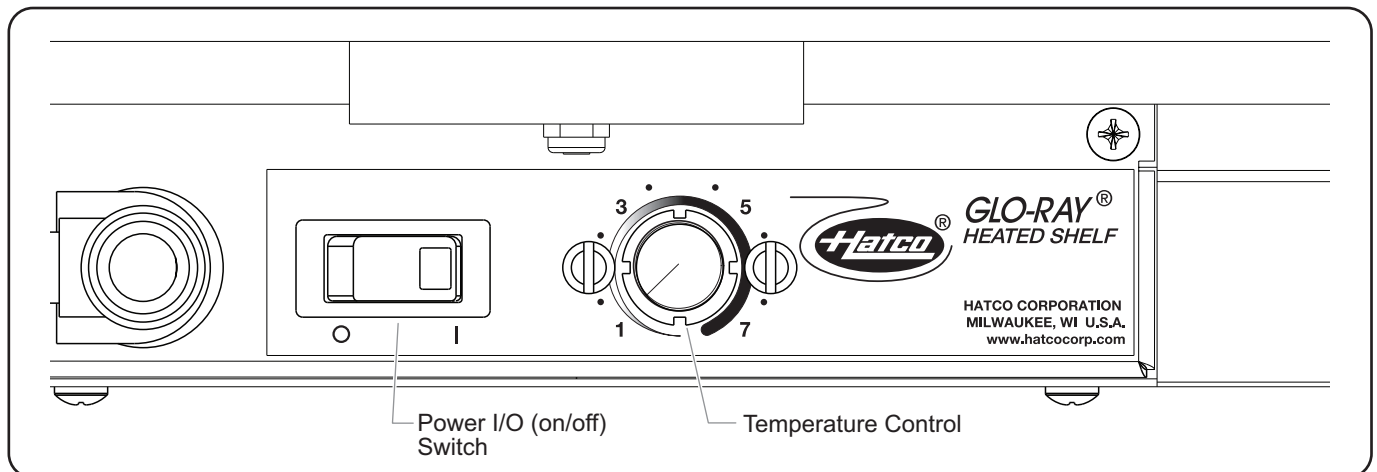
*NOTE: Turning the temperature control clockwise will increase the temperature setting. Turning the temperature control counterclockwise will decrease the temperature setting.*

5. Allow the unit 30 minutes to reach operating temperature.

*NOTE: Refer to the OPTIONS AND ACCESSORIES section for installation and operation information for HBGB units equipped with the flush mount control box.*

## Shutdown

1. Move the Power I/O (on/off) switch to the O (off) position and allow the unit to cool completely.
2. Perform the "Daily Cleaning" procedure in the MAINTENANCE section of this manual.



Standard Control Panel

## General

Hatco Heated Glass Shelves are designed for maximum durability and performance, with minimum maintenance.



### WARNING

#### ELECTRIC SHOCK HAZARD:

- Turn OFF power switch, unplug power cord, and allow unit to cool before performing any cleaning, adjustments, or maintenance.
- DO NOT submerge or saturate with water. Unit is not waterproof. Do not operate if unit has been submerged or saturated with water.
- This unit is not “jet-proof” construction. Do not use jet-clean spray to clean this unit.

This unit has no “user-serviceable” parts. If service is required on this unit, contact an Authorized Hatco Service Agent or contact the Hatco Service Department at 800-558-0607 or 414-671-6350.

### NOTICE

Do not turn on unit until it has been cleaned thoroughly. Ceramic glass surface must be clear of debris to prevent burn-on.

Use only wipes, pads, and cleaners designed specifically for cleaning ceramic glass surfaces. Using other wipes, pads, or cleaners may damage ceramic glass surface.

## Daily Cleaning

Consistent daily cleaning will keep cleanup easy as well as protect and preserve the glass surface. Make sure to use only wipes, pads, and cleaners designed specifically for cleaning ceramic glass surfaces.

1. Before turning on the unit each day, clean the glass surface using an appropriate cleaning wipe or a damp cloth.
2. At the end of each day:
  - a. Turn off the unit and allow to cool.
  - b. Clean the glass surface using an appropriate cleaning wipe or damp cloth. If additional cleaning is necessary, follow the “Cleaning Burned-On Residue” procedure in this section.

## Cleaning Sugary/Sticky Spills

To clean sugary/sticky spills, the unit should be warm while cleaning for easier removal.

1. Turn off the unit and unplug power cord. **CAUTION! Burn Hazard—Heated glass will be hot. Use caution when touching this area.**
2. While unit is still warm, wear an oven mitt and remove the bulk of the spill using paper towel.
3. Allow the unit to cool.
4. Follow the “Cleaning Burned-On Residue” procedure in this section to remove the remainder of the spill.
5. Do not use the unit again until the spill has been cleaned completely.



### CAUTION

Pitting or indentation in the glass surface may occur from sugary spills. If pitting or indentation occurs, the glass surface must be replaced. To prevent further damage and possible injury from broken glass, stop using unit immediately and contact an Authorized Hatco Service Agent.

## Cleaning Burned-On Residue

To clean burned-on residue, the use of ceramic glass cleaner may be necessary.

1. Turn off the unit, unplug power cord, and allow unit to cool.
2. Spread a few drops of ceramic glass cleaner onto the residue area.
3. Using an appropriate cleaning wipe, rub the residue area while applying pressure as needed.
4. If residue remains, repeat the steps above as needed.
5. After all residue has been removed, polish the entire glass surface using the ceramic glass cleaner and paper towel.

## Cleaning Metal Marks and Scratches

Metal marks and scratches from pans usually can be removed. Be careful when placing pans onto the glass surface. To avoid metal marks and scratches, do not slide pans across the glass surface.

1. Turn off the unit, unplug power cord, and allow unit to cool.
2. Spread a few drops of ceramic glass cleaner onto the marked area.
3. Using an appropriate cleaning wipe, rub the marked area while applying pressure as needed.
4. If metal marks and scratches remain, repeat the steps above as needed.

*NOTE: Check the bottom of all pans for roughness that could scratch the glass surface.*

*NOTE: Damage caused by sugary/sticky spills or rough pan bottoms is not covered under warranty.*

**⚠ WARNING**

This unit must be serviced by qualified personnel only. Service by unqualified personnel may lead to electric shock or burn.

**⚠ WARNING**

**ELECTRIC SHOCK HAZARD:** Turn OFF power switch, unplug power cord, and allow unit to cool before performing any cleaning, adjustments, or maintenance.

Symptom	Probable Cause	Corrective Action
Unit too hot.	Setpoint temperature set too high.	Adjust setpoint temperature to a lower setting.
	Temperature control stuck in the HIGH position.	Contact Authorized Service Agent or Hatco for assistance.
	Unit plugged into an incorrect power supply.	Verify with qualified personnel that power supply matches unit specification.
Unit not hot enough.	Temperature control set too low.	Adjust temperature control to a higher setting.
	Location of unit is susceptible to air currents (air conditioning ducts, exhaust fans or exterior doors).	Block air currents or relocate unit.
Unit not working at all.	Unit not plugged in.	Plug unit into proper power supply.
	Unit not turned on.	Move Power I/O (on/off) switch to the I (on) position.
	Power I/O (on/off) switch is not functioning.	Contact Authorized Service Agent or Hatco for assistance.
	Heating element is burned out.	
	Temperature control is defective.	

**Troubleshooting Questions?**

If you continue to have problems resolving an issue, please contact the nearest Authorized Hatco Service Agency or Hatco for assistance. To locate the nearest Service Agency, log onto the Hatco website at [www.hatcocorp.com](http://www.hatcocorp.com), select the *Support* pull-down menu, and click on "Find A Service Agent"; or contact the **Hatco Parts and Service Team** at:

Telephone: 800-558-0607 or 414-671-6350

e-mail: [support@hatcocorp.com](mailto:support@hatcocorp.com)

**OPTIONS AND ACCESSORIES****White Glass**

White glass is available as a factory installed option instead of the standard black glass.

**Handles (HBG Models)**

Field retrofittable handles are available for the HBG unit.

**HANDLE-18-BLK...** Designer black powdercoated rounded stainless steel handles

Handles are installed onto each end of the unit using the following procedure:

1. Remove the three nuts located on the underside of the glass surface support ring.
2. Align the three holes on the handle with the three studs on the support ring, and position the handle on the studs.
3. Replace the three nuts onto the studs, and tighten securely.
4. Repeat procedure on the opposite end of unit.

**4" (102 mm) Adjustable Legs (HBG Models)**

Use the following procedure to install 4" (102 mm) adjustable legs in place of the rubber feet on an HBG unit.

*NOTE: 4" (102 mm) legs are included with models greater than 36" (1041 mm) in width.*

**⚠ WARNING**

**ELECTRIC SHOCK HAZARD:** Turn power switch OFF, unplug power cord, and allow unit to cool before performing any maintenance or cleaning.

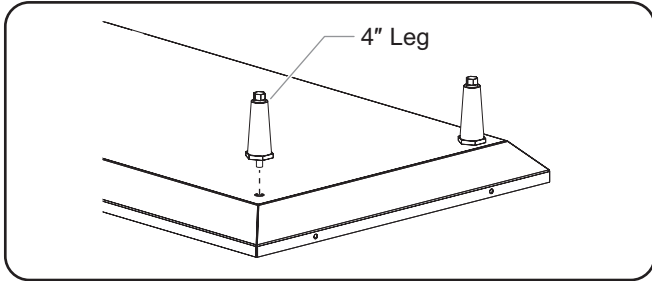
**NOTICE**

**Do not lay unit on the side with the control panel or damage to unit could occur.**

1. Turn off the unit, unplug the power cord, and allow the unit to cool.
2. Carefully turn the unit upside down and lay the unit on a flat surface. Make sure to cover the surface with something to prevent scratching the glass.

*continued...*

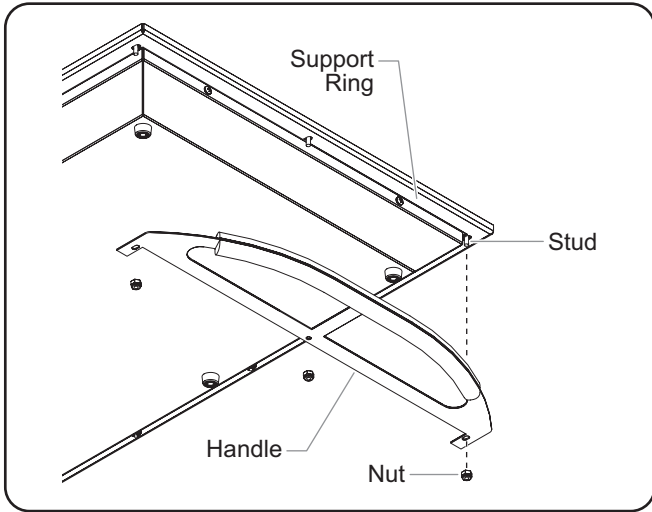
- At each corner of the base, remove the foot screw and rubber foot.



Installing the 102 mm (4") Legs

- At each corner of the base, screw a 4" (102 mm) leg into the bottom of the base.

**NOTE:** The feet on the 4" (102 mm) legs are adjustable for leveling the unit. Use a 5/8" (16 mm) open-end wrench to make leveling adjustments once the unit is placed in its final position.



Handle Installation

## Flush Mount Control Boxes (HBGB Models)

A flush-style remote-mounted control box is available as a factory-installed option for the HBGB unit.



**ELECTRIC SHOCK HAZARD:** The remote mounted control box must be mounted on a vertical wall and installed in the vertical position. Mounting the control box in the horizontal position may result in the collection of liquids and lead to an electric shock.



The remote-mounted control box should be installed outside of the heat zone. Locating the control box inside the heat zone will cause the control(s) to overheat, malfunction, and fail.



**Do not modify wiring or cut thermostat capillary wire on control box to increase remote mounting distance. Cutting the thermostat capillary wire will cause the unit to overheat and may damage the unit as well as the surrounding countertop.**

### Installing the Control Box

**NOTE:** A qualified electrician is recommended for installing the flush mount control box.

- Prepare cutout and pre-drill screw holes.
- Remove trim cover from control box assembly.
- Position control box into opening through the backside.
- Secure control box to surface using screws (not supplied).
- Reinstall the trim cover.
- Plug the control box into a properly grounded electrical receptacle of the correct voltage, size, and plug configuration. Refer to the SPECIFICATIONS section for details.

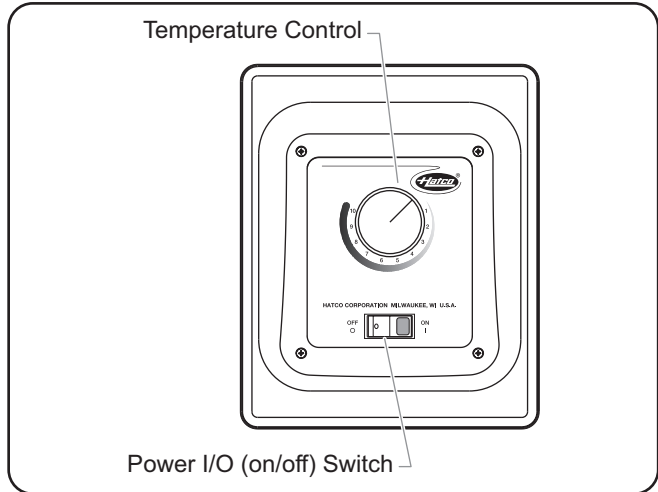
**NOTE:** Units are equipped with a 3' (914 mm) flexible conduit connecting the control enclosure to the unit. The digital temperature controller also offers 6' (1829 mm) and 10' (3048 mm) conduit lengths.

### Power I/O (on/off) Switch

Both flush-style remote mounted control enclosures are equipped with a Power I/O (on/off) switch. Move the Power I/O (on/off) switch to the I (on) position to turn on the unit. The indicator light in the switch glows when the unit is on.

### Changing the Setpoint Temperature — Mechanical Temperature Control

Turn the temperature control clockwise to increase the setpoint temperature. Turn the temperature control counterclockwise to decrease the setpoint temperature.



Mechanical Temperature Control

### Changing the Setpoint Temperature — Digital Temperature Controller

Units equipped with a digital temperature controller will heat up to the setpoint temperature automatically when they are turned on. Use the following procedure to change the setpoint temperature.

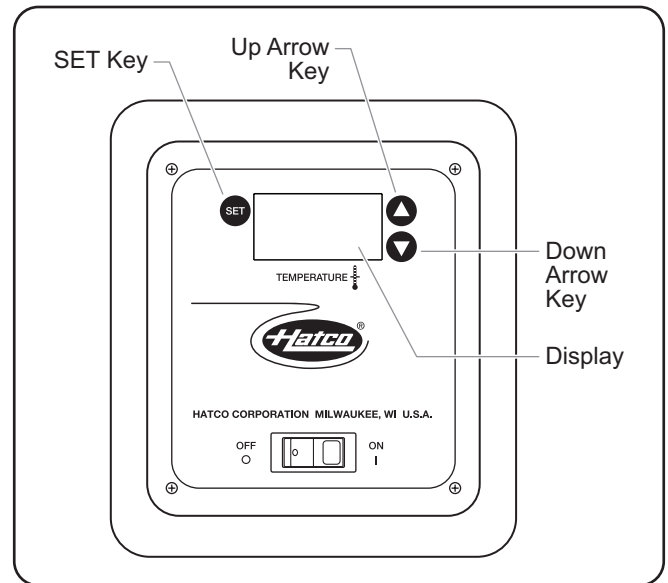
#### NOTICE

**Built-in units must not have a setpoint temperature higher than 200°F (93°C). Temperatures exceeding 200°F (93°C) will damage unit and void warranty.**

*NOTE: The temperature shown on the display may be inaccurate when unit temperature is below 130°F (54°C).*

1. Press the **SET** key three times. The current setpoint temperature will be shown on the TEMPERATURE display ("SP" will be shown after the second press).
2. Press the **▲** key or **▼** key within 10 seconds to change the setpoint temperature.
3. Press the **SET** key to lock in the new setpoint temperature. The TEMPERATURE display will go blank for two seconds to show that the new setting has been accepted.

*NOTE: After 10 seconds of inactivity during the programming process, the controller will exit programming mode automatically without saving any changes.*



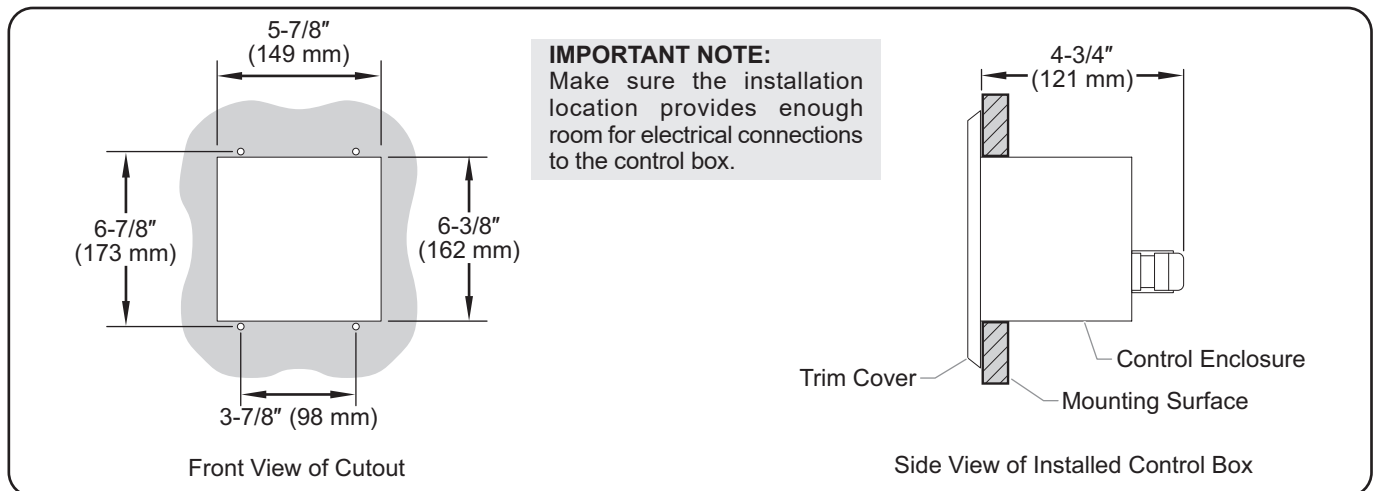
Digital Temperature Controller

### Changing Fahrenheit and Celsius Setting — Digital Temperature Controller

Use the following procedure to change between Fahrenheit and Celsius on the display.

1. Press the **SET** key once. Either an "F" for Fahrenheit or "C" for Celsius will be shown.
2. Press the **▲** key or **▼** key within 10 seconds to change between "F" (Fahrenheit) and "C" (Celsius).
3. Press the **SET** key three times to lock in the new setting. The TEMPERATURE display will go blank for two seconds to show that the new setting has been accepted.

*NOTE: After 10 seconds of inactivity during the programming process, the controller will exit programming mode automatically without saving any changes.*



Flush Mount Control Box Installation Dimensions

## 1. PRODUCT WARRANTY

Hatco warrants the products that it manufactures (the "Products") to be free from defects in materials and workmanship, under normal use and service, for a period of one (1) year from the date of purchase when installed and maintained in accordance with Hatco's written instructions or 18 months from the date of shipment from Hatco. Buyer must establish the Product's purchase date by registering the Product with Hatco or by other means satisfactory to Hatco in its sole discretion.

Hatco warrants the following Product components to be free from defects in materials and workmanship from the date of purchase (subject to the foregoing conditions) for the period(s) of time and on the conditions listed below:

**a) One (1) Year Parts and Labor PLUS One (1) Additional Year Parts-Only Warranty:**

Conveyor Toaster Elements (metal sheathed)  
Drawer Warmer Elements (metal sheathed)  
Drawer Warmer Drawer Rollers and Slides  
Strip Heater Elements (metal sheathed)  
Display Warmer Elements (metal sheathed air heating)  
Holding Cabinet Elements (metal sheathed air heating)  
Heated Well Elements — HW and HWB Series  
(metal sheathed)

**b) Two (2) Year Parts and Labor Warranty:**

Induction Ranges  
Induction Warmers

**c) One (1) Year Parts and Labor PLUS Four (4) Years Parts-Only Warranty:**

3CS and FR Tanks

**d) One (1) Year Parts and Labor PLUS Nine (9) Years Parts-Only Warranty on:**

Electric Booster Heater Tanks  
Gas Booster Heater Tanks

**e) Ninety (90) Day Parts-Only Warranty:**

Replacement Parts

THE FOREGOING WARRANTIES ARE EXCLUSIVE AND IN LIEU OF ANY OTHER WARRANTY, EXPRESSED OR IMPLIED, INCLUDING BUT NOT LIMITED TO ANY IMPLIED WARRANTY OF MERCHANTABILITY OR FITNESS FOR A PARTICULAR PURPOSE OR PATENT OR OTHER INTELLECTUAL PROPERTY RIGHT INFRINGEMENT. Without limiting the generality of the foregoing, SUCH WARRANTIES DO NOT COVER: Coated incandescent light bulbs, fluorescent lights, heat lamp bulbs, coated halogen light bulbs, halogen heat lamp bulbs, xenon light bulbs, LED light tubes, glass components, and fuses; Product failure in booster tank, fin tube heat exchanger, or other water heating equipment caused by liming, sediment buildup, chemical attack, or freezing; or Product misuse, tampering or misapplication, improper installation, or application of improper voltage.

## 2. LIMITATION OF REMEDIES AND DAMAGES

Hatco's liability and Buyer's exclusive remedy hereunder will be limited solely, at Hatco's option, to repair or replacement using new or refurbished parts or Product by Hatco or a Hatco-authorized service agency (other than where Buyer is located outside of the United States, Canada, United Kingdom, or Australia, in which case Hatco's liability and Buyer's exclusive remedy hereunder will be limited solely to replacement of part under warranty) with respect to any claim made within the applicable warranty period referred to above. Hatco reserves the right to accept or reject any such claim in whole or in part. In the context of this Limited Warranty, "refurbished" means a part or Product that has been returned to its original specifications by Hatco or a Hatco-authorized service agency. Hatco will not accept the return of any Product without prior written approval from Hatco, and all such approved returns shall be made at Buyer's sole expense. HATCO WILL NOT BE LIABLE, UNDER ANY CIRCUMSTANCES, FOR CONSEQUENTIAL OR INCIDENTAL DAMAGES, INCLUDING BUT NOT LIMITED TO LABOR COSTS OR LOST PROFITS RESULTING FROM THE USE OF OR INABILITY TO USE THE PRODUCTS OR FROM THE PRODUCTS BEING INCORPORATED IN OR BECOMING A COMPONENT OF ANY OTHER PRODUCT OR GOODS.

<b>Informations Importantes pour le Propriétaire.....</b>	<b>15</b>	<b>Mode d'emploi .....</b>	<b>22</b>
<b>Introduction.....</b>	<b>15</b>	Généralités .....	22
<b>Consignes de Sécurité Importantes.....</b>	<b>16</b>	<b>Maintenance.....</b>	<b>23</b>
<b>Description du Modèle.....</b>	<b>17</b>	Généralités .....	23
<b>Désignation du Modèle .....</b>	<b>17</b>	Nettoyage quotidien.....	23
<b>Caractéristiques Techniques .....</b>	<b>18</b>	Nettoyage des déversements sucrés/collants.....	23
Configuration des fiches .....	18	Nettoyage des résidus carbonisés .....	23
Tableau des valeurs nominales électriques .....	18	Nettoyage des traces et des rayures métalliques .....	23
Dimensions.....	19	<b>Guide de Dépannage.....</b>	<b>24</b>
<b>Installation.....</b>	<b>20</b>	<b>Options et accessoires.....</b>	<b>24</b>
Généralités .....	20	<b>Garantie Limitée .....</b>	<b>27</b>
Modèles HBG .....	20	<b>Autorisés Distributeurs de Pièces.....</b>	<b>Couverture Arrière</b>
Modèles HBGB.....	20		
Tableau des découpes dans le comptoir pour les modèles HBGB.....	21		

## INFORMATIONS IMPORTANTES POUR LE PROPRIÉTAIRE

Notez le numéro de modèle, le numéro de série, la tension et la date d'achat de l'appareil dans les espaces ci-dessous (étiquette des caractéristiques techniques située sur le dessous de l'appareil). Veuillez avoir cette information à portée de la main si vous appelez Hatco pour assistance.

Modèle No. \_\_\_\_\_

Numéro de série \_\_\_\_\_

Voltage \_\_\_\_\_

Date d'achat \_\_\_\_\_

### Enregistrez votre appareil!

Remplissez la garantie en ligne pour éviter les retards pour faire jouer la garantie. Accédez au site Web Hatco [www.hatcocorp.com](http://www.hatcocorp.com), sélectionnez le menu déroulant *Support (Assistance)*, puis cliquez sur « Warranty » (Garantie).

Horaires

ouvrables : 7h00 à 17h00 du lundi au vendredi  
Heure du Centre (CT)  
(Horaires d'été—juin à septembre:  
7h00 à 17h00 du lundi au jeudi  
7h00 à 16h00 le vendredi)

Téléphone: 800-558-0607; 414-671-6350

Courriel: [support@hatcocorp.com](mailto:support@hatcocorp.com)



Service d'assistance et de pièces de rechange disponible 7j/7, 24h/24 aux États-Unis et au Canada en composant le 800-558-0607.

Des renseignements supplémentaires sont disponibles sur notre site Web à [www.hatcocorp.com](http://www.hatcocorp.com).

## INTRODUCTION

Les étagères chauffantes en vitrocéramique de Hatco ont été conçues pour maintenir les aliments au chaud en toute sécurité, tout en s'intégrant parfaitement à la décoration. Elles gardent les aliments à des températures de service appropriées sans affecter leur qualité. Ces appareils sont équipés d'une base chauffante en vitrocéramique contrôlée par un thermostat qui prolonge les temps de maintien au chaud des aliments.

Les étagères chauffantes en vitrocéramique sont le produit de recherches et de tests intensifs sur le terrain. Les matériaux utilisés ont été sélectionnés pour une durabilité maximale, une apparence attractive et des performances optimales. Chaque unité est soigneusement inspectée et testée avant expédition.

Ce manuel fournit les instructions d'installation, de sécurité et d'utilisation des étagères chauffantes en vitrocéramique. Hatco vous recommande de lire l'ensemble des instructions d'installation, de sécurité et de fonctionnement contenues dans ce manuel avant d'installer et d'utiliser l'appareil.

Les consignes de sécurité qui apparaissent dans ce manuel sont identifiées par les mots indicateurs suivants :

### **AVERTISSEMENT**

**AVERTISSEMENT** indique une situation dangereuse qui, si elle n'est pas évitée, peut provoquer la mort ou des blessures graves.

### **ATTENTION**

**ATTENTION** indique une situation dangereuse qui, si elle n'est pas évitée, peut provoquer des blessures légères ou moyennes.

### **AVIS**

**AVIS** est utilisé pour des questions sans rapport avec des blessures corporelles.

**!** Lisez l'information de sécurité importante suivante avant d'utiliser cet équipement pour éviter des dommages ou la mort sérieux et pour éviter d'endommager l'équipement ou la propriété.

## **! AVERTISSEMENT**

### **DANGER DE DÉCHARGE ÉLECTRIQUE :**

- Brancher l'appareil sur une prise de courant avec terre de tension, de format et de configuration des broches corrects. Si la fiche et la prise ne se correspondent pas, s'adresser à un électricien qualifié pour déterminer et installer une prise de courant de format et de tension corrects.
- Mettez l'unité hors tension depuis l'interrupteur, débranchez le cordon d'alimentation et laissez l'unité refroidir avant d'effectuer tout nettoyage, tout réglage ou tout entretien.
- **NE PAS immerger l'appareil ni le saturer d'eau.** L'appareil n'est pas étanche à l'eau. Ne pas le faire fonctionner s'il a été immergé ou saturé d'eau.
- L'appareil n'est pas à l'épreuve des intempéries. Placer l'appareil à l'intérieur à une température ambiante de 21°C (70°F) minimum.
- Ne tirez pas l'unité par le cordon d'alimentation.
- Interrompez l'utilisation de l'unité si le cordon d'alimentation est effiloché ou usé.
- N'essayez jamais de réparer ou de remplacer un cordon d'alimentation. Celui-ci devra être remplacé par Hatco, un agent de service agréé par Hatco ou une personne possédant des qualifications similaires.
- Cet appareil n'est pas étanche aux jets. Ne pas utiliser de jet sous pression pour nettoyer l'appareil.
- Ne pas nettoyer l'appareil lorsqu'il est sous tension.
- Ne pas tenter de réparer ni de changer un cordon électrique endommagé. Ce cordon doit être changé par Hatco, par un réparateur Hatco agréé ou par une personnes de qualifications comparables.
- Pour les réparations, utiliser exclusivement des pièces de rechange Hatco d'origine. Utilisez des pièces détachées Hatco authentiques sous peine d'annuler toutes les garanties et d'exposer l'utilisateur à des tensions électriques dangereuses pouvant entraîner une électrocution ou des brûlures. Les pièces de rechange Hatco d'origine sont conçues pour fonctionner sans danger dans les environnements dans lesquels elles sont utilisées. Certaines pièces de rechange génériques ou de second marché ne présentent pas les caractéristiques leur permettant de fonctionner sans danger dans la matériel Hatco.

**DANGER D'INCENDIE :** Placez l'unité à au moins 25 mm (1") des murs combustibles et des produits. Si les distances de sécurité ne sont pas respectées, une décoloration ou combustion peut avoir lieu.

Cet appareil ne doit pas être utilisé par des enfants ou des personnes avec des capacités physiques, sensorielles ou mentales diminuées. Assurez-vous que les enfants sont bien surveillés et tenez-les à l'écart de l'appareil.

Assurez-vous que tous les opérateurs ont été formés à l'utilisation sûre et correcte de l'appareil.

## **! AVERTISSEMENT**

S'assurer que le produit alimentaire a été chauffé à une température adaptée au maintien de sa salubrité avant de le mettre dans l'appareil sous peine de risques graves pour la santé. Cet appareil est destiné au maintien au chaud de produits alimentaires préchauffés uniquement.

Cet appareil ne contient aucune pièce réparable par l'utilisateur. Si cet appareil doit être réparé, contacter un réparateur Hatco agréé ou le Service après-vente Hatco au 800-558-0607 ou 414-671-6350.

## **! ATTENTION**

**DANGER DE BRÛLURE :** Certaines surfaces extérieures de l'appareil deviennent chaudes. Toucher ces zones de l'appareil avec précaution.

Placez l'unité à une hauteur adaptée au comptoir, à un emplacement pratique à utiliser. L'emplacement doit être plan pour éviter que l'unité ou son contenu ne tombe accidentellement, et suffisamment solide pour supporter le poids de l'unité et de son contenu.

N'utilisez pas les modèles intégrés si le boîtier de commande n'est pas correctement installé comme décrit dans les instructions d'installation.

La National Sanitation Foundation (NSF) exige que les appareils mesurant plus de 914 mm (36") de largeur et pesant plus de 36 kg (80 lbs.) soient hermétiquement fixés ou rehaussés sur la surface d'installation. Si l'unité ne peut pas être fixée à l'endroit d'utilisation, des pieds de 102 mm (4") sont fournis pour permettre le nettoyage du dessous de l'unité.

L'apparition de traces de corrosion ou de marques sur la surface en vitrocéramique peut être due à des déversements sucrés. Si cela se produit, la surface en vitrocéramique doit être remplacée. Pour prévenir tout autre dommage ou risque de blessure avec le verre cassé, cessez immédiatement d'utiliser l'appareil et contactez un agent de maintenance agréé de Hatco.

## **AVIS**

Les dommages à toute partie du comptoir pouvant être causés par la chaleur générée par l'équipement de Hatco ne sont pas couverts par la garantie de Hatco. Contactez le fabricant du comptoir pour obtenir des renseignements.

Ne modifiez pas le câblage et ne coupez pas le tube capillaire du thermostat du boîtier de commande pour augmenter l'éloignement du montage à distance. Si vous coupez le tube capillaire du thermostat, cela fera surchauffer l'appareil et pourrait l'endommager ainsi que le comptoir qui l'entoure.

N'allumez pas l'appareil tant qu'il n'a pas été entièrement nettoyé. La surface en vitrocéramique doit être exempte de tout débris afin d'éviter qu'ils ne brûlent.

**AVIS**

Ne couchez pas l'unité sur le côté comportant le panneau de commande. L'unité pourrait être endommagée.

Ne faites pas glisser de récipients sur la surface en vitrocéramique, n'utilisez pas de récipients à fond rugueux et ne laissez rien tomber sur la surface en vitrocéramique. Cela pourrait rayer ou casser la surface en vitrocéramique. Les dommages occasionnés à la surface en vitrocéramique ou le bris de la vitre dus à une utilisation inappropriée ne sont pas couverts par la garantie.

**AVIS**

Utilisez uniquement des chiffons, lingettes et produits nettoyants conçus spécifiquement pour nettoyer des surfaces en vitrocéramique. L'utilisation d'autres chiffons, lingettes ou produits nettoyants risque d'endommager la surface en vitrocéramique.

Installez le boîtier de commande à distance en dehors de la zone de chauffe. L'installation du boîtier de commande près de la zone de chauffe peut entraîner la surchauffe, le dysfonctionnement voire la panne de la ou des commandes.

**DESCRIPTION DU MODÈLE**

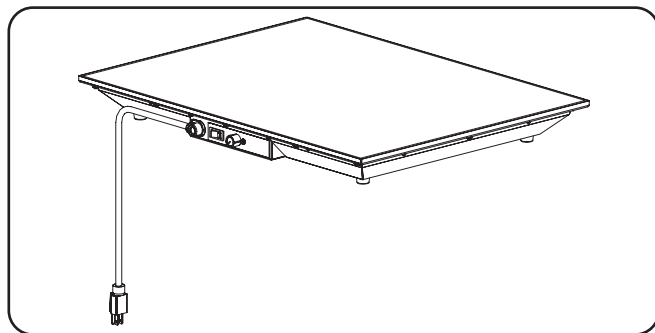
**Tous les Modèles**

Toutes les étagères chauffantes en vitrocéramique de Hatco sont idéales pour des passages dans des zones, pour les buffets et pour présenter les hors d'œuvre. L'homologation de la National Sanitation Foundation (NSF) permet, au besoin, le placement des aliments directement sur la surface en vitrocéramique. L'équipement standard inclut un interrupteur d'alimentation I/O (marche/arrêt) éclairé, une surface supérieure chauffée en vitrocéramique contrôlée par un thermostat et une base en acier peinte. La plage de température des étagères chauffantes en vitrocéramique est comprise entre 38 et 93°C (100 et 200°F). Les étagères chauffantes en vitrocéramique sont livrées en modèle standard avec de la vitrocéramique noire, mais elles sont aussi offertes en vitrocéramique blanche en option installée à l'usine.

*NOTA: L'étiquette des caractéristiques techniques est située sur le dessous de l'appareil. Consultez l'étiquette pour connaître le numéro de série et vérifier les caractéristiques électriques de l'appareil.*

**Modèles HBG**

L'étagère chauffante noire en vitrocéramique HBG est une étagère portable reliée à un cordon d'1,829 m (6') et une prise. L'appareil portable est disponible en six modèles : [HBG-2418](#), [HBG-3018](#), [HBG-3618](#), [HBG-4818](#), [HBG-6018](#) et [HBG-7218](#).

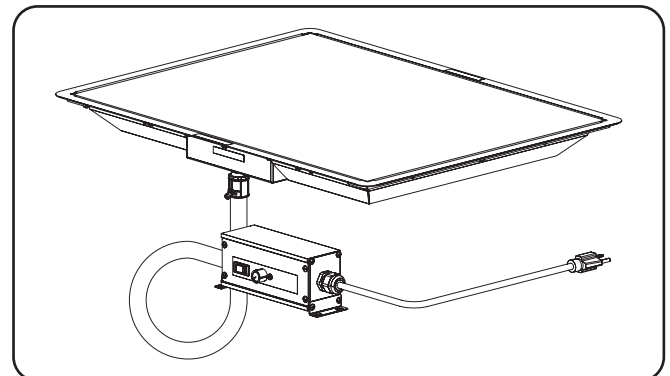


Modèle HBG

**Modèles HBGB**

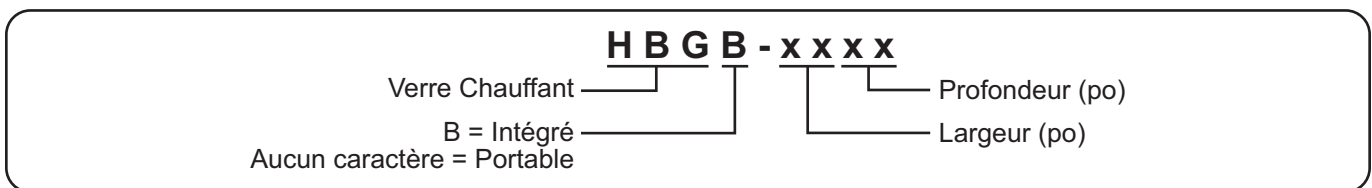
L'étagère chauffante noire en vitrocéramique HBGB est intégrée et équipée d'une bordure de montage fixée. Elle comprend un boîtier de commande à distance auquel elle est reliée à l'aide d'un cordon de 914 mm (3"). Un cordon d'1,829 m (6') doté d'une prise connecte le boîtier de commande à la source d'alimentation.

Les appareils intégrés sont disponibles en six modèles : HBGB-2418, [HBGB-3018](#), [HBGB-3618](#), [HBGB-4818](#), [HBGB-6018](#) et [HBGB-7218](#).



Modèle HBGB

**DÉSIGNATION DU MODÈLE**

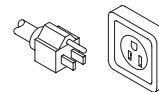


## Configuration des fiches

Les appareils sont livrés avec un cordon électrique avec fiche. Différentes fiches sont fournies selon les applications.

### **⚠ AVERTISSEMENT**

**DANGER DE DÉCHARGE ÉLECTRIQUE :** Brancher l'appareil sur une prise de courant avec terre de tension, de format et de configuration des broches corrects. Si la fiche et la prise ne se correspondent pas, s'adresser à un électricien qualifié pour déterminer et installer une prise de courant de format et de tension corrects.



NEMA 5-15P

Configuration des fiches

NOTA: Prise non fournie par Hatco.

## Tableau des valeurs nominales électriques — Modèles HBG

Modèle	Tension	Intensité	Amps	Configuration de Fiches	Poids d'embarquement
HBG-2418	120	425	3.5	NEMA 5-15P	13 kg (29 lbs.)
HBG-3018	120	525	4.4	NEMA 5-15P	15 kg (33 lbs.)
HBG-3618	120	630	5.3	NEMA 5-15P	16 kg (36 lbs.)
HBG-4818	120	850	7.1	NEMA 5-15P	19 kg (42 lbs.)
HBG-6018	120	1050	8.8	NEMA 5-15P	27 kg (60 lbs.)
HBG-7218	120	1260	10.5	NEMA 5-15P	31 kg (68 lbs.)

## Tableau des valeurs nominales électriques — Modèles HBGB

Modèle	Tension	Intensité	Amps	Configuration de Fiches	Poids d'embarquement
HBGB-2418	120	425	3.5	NEMA 5-15P	15 kg (32 lbs.)
HBGB-3018	120	525	4.4	NEMA 5-15P	17 kg (37 lbs.)
HBGB-3618	120	630	5.3	NEMA 5-15P	18 kg (40 lbs.)
HBGB-4818	120	850	7.1	NEMA 5-15P	23 kg (50 lbs.)
HBGB-6018	120	1050	8.8	NEMA 5-15P	29 kg (63 lbs.)
HBGB-7218	120	1260	10.5	NEMA 5-15P	34 kg (74 lbs.)

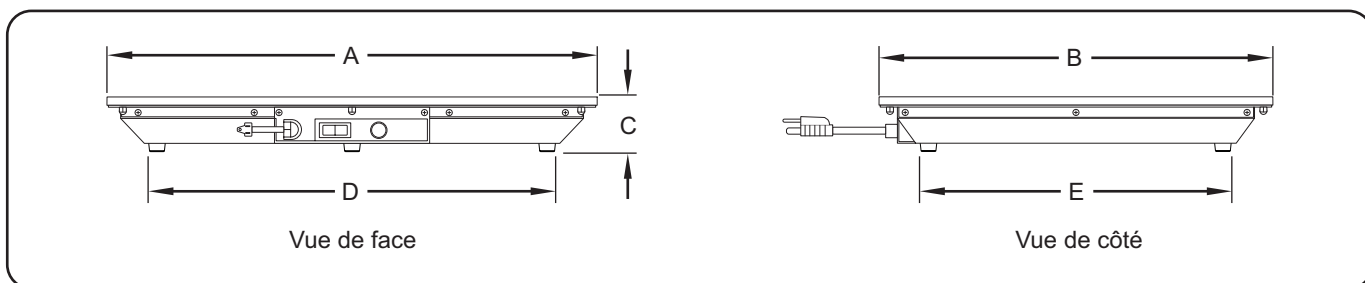
NOTA: Le poids d'embarquement comprend l'emballage.

NOTA: L'étiquette des caractéristiques techniques est située sur le dessous de l'appareil. Consultez l'étiquette pour connaître le numéro de série et vérifier les caractéristiques électriques de l'appareil.

Dimensions — Modèles HBG

Modèle	Largeur (A)	Profondeur (B)	Hauteur (C)	Largeur d'encombrement (F)	Profondeur d'encombrement (G)
HBG-2418	618 mm (24-3/8")	466 mm (18-3/8")	63 mm (2-1/2")	503 mm (19-3/4")	351 mm (13-3/4")
HBG-3018	771 mm (30-3/8")	466 mm (18-3/8")	63 mm (2-1/2")	656 mm (25-3/4")	351 mm (13-3/4")
HBG-3618 †	923 mm (36-3/8")	466 mm (18-3/8")	155 mm (6-1/8")	780 mm (30-3/4")	325 mm (12-3/4")
HBG-4818 †	1228 mm (48-3/8")	466 mm (18-3/8")	155 mm (6-1/8")	1086 mm (42-3/4")	325 mm (12-3/4")
HBG-6018 †	1533 mm (60-3/8")	466 mm (18-3/8")	155 mm (6-1/8")	1391 mm (54-3/4")	325 mm (12-3/4")
HBG-7218 †	1838 mm (72-3/8")	466 mm (18-3/8")	155 mm (6-1/8")	1696 mm (66-3/4")	325 mm (12-3/4")

† La hauteur comprend les pieds de 102 mm (4").

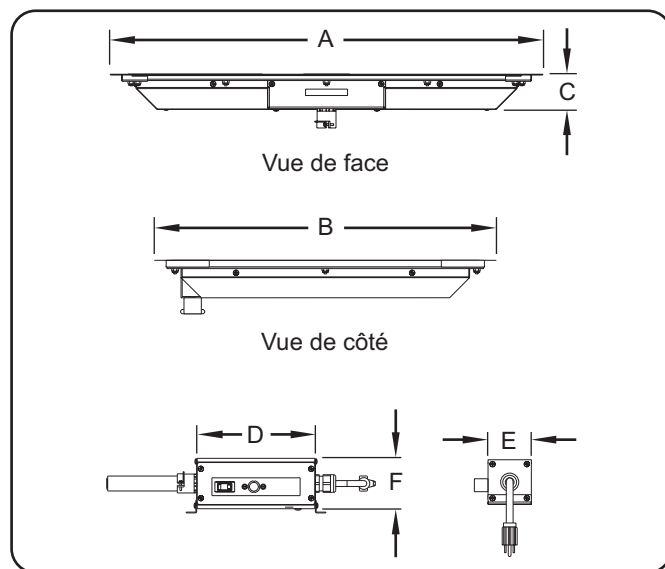


Dimensions

Dimensions — Modèles HBGB

Modèle	Largeur (A)	Profondeur (B)	Hauteur (C)
HBGB-2418	651 mm (25-5/8")	498 mm (19-5/8")	55 mm (2-3/16")
HBGB-3018	803 mm (31-5/8")	498 mm (19-5/8")	55 mm (2-3/16")
HBGB-3618	955 mm (37-5/8")	498 mm (19-5/8")	55 mm (2-3/16")
HBGB-4818	1260 mm (49-5/8")	498 mm (19-5/8")	55 mm (2-3/16")
HBGB-6018	1565 mm (61-5/8")	498 mm (19-5/8")	55 mm (2-3/16")
HBGB-7218	1870 mm (73-5/8")	498 mm (19-5/8")	55 mm (2-3/16")

Modèle	Largeur (D)	Profondeur (E)	Hauteur (F)
Remote Box	178 mm (7")	64 mm (2-1/2")	76 mm (3")



Dimensions

**AVIS**

Reportez-vous à la partie Installation de ce manuel pour connaître les dimensions réelles de la découpe dans le comptoir.

## Généralités

Suivez les procédures suivantes pour monter les modèles HBG et HBGB.

### **AVERTISSEMENT**

**DANGER DE DÉCHARGE ÉLECTRIQUE:** L'appareil n'est pas à l'épreuve des intempéries. Placer l'appareil à l'intérieur à une température ambiante de 21°C (70°F) minimum.

**DANGER D'INCENDIE:** Placez l'unité à au moins 25 mm (1") des murs combustibles et des produits. Si les distances de sécurité ne sont pas respectées, une décoloration ou combustion peut avoir lieu.

### **ATTENTION**

Placez l'unité à une hauteur adaptée au comptoir, à un emplacement pratique à utiliser. L'emplacement doit être plan pour éviter que l'unité ou son contenu ne tombe accidentellement, et suffisamment solide pour supporter le poids de l'unité et de son contenu.

La National Sanitation Foundation (NSF) exige que les appareils mesurant plus de 914 mm (36") de largeur et pesant plus de 36 kg (80 lbs.) soient hermétiquement fixés ou rehaussés sur la surface d'installation. Si l'unité ne peut pas être fixée à l'endroit d'utilisation, des pieds de 102 mm (4") sont fournis pour permettre le nettoyage du dessous de l'unité.

### **AVIS**

**N'allumez pas l'appareil tant qu'il n'a pas été entièrement nettoyé. La surface en vitrocéramique doit être exempte de tout débris afin d'éviter qu'ils ne brûlent.**

**Ne couchez pas l'unité sur le côté comportant le panneau de commande. L'unité pourrait être endommagée.**

## Modèles HBG

- Sortir l'appareil de sa boîte.

*NOTA : Pour éviter des retards dans l'obtention de la couverture de la garantie, complétez l'enregistrement en ligne de votre garantie. Lisez la section INFORMATIONS IMPORTANTES POUR LE PROPRIÉTAIRE pour plus de détails.*

- Retirez le ruban et l'emballage de protection de toutes les surfaces de l'appareil.

*NOTA: Si des pieds de 102 mm (4") sont nécessaires, reportez-vous à la section Options et accessoires de ce manuel pour obtenir des instructions d'installation. Les pieds de 102 mm (4") sont standard sur les modèles à rayonnage simple de 1041 mm (36") et plus larges sur tous les modèles à rayonnages doubles et triples.*

- Placez l'unité à l'emplacement souhaité.
  - Placez l'unité dans une zone dont la température ambiante est constante 21°C minimum (70°F). Évitez les endroits susceptibles d'activer les mouvements ou les courants d'air (proximité des ventilateurs ou hottes d'évacuation, conduites de climatisation ou les portes extérieures).
  - Assurez-vous que l'unité est placée à une hauteur appropriée dans une zone facilitant son utilisation.

- Veillez à ce que le comptoir soit plan et assez résistant pour supporter le poids de l'unité et des produits alimentaires.
- Veillez à ce que tous les pieds situés sous l'unité soient bien positionnés sur le comptoir.

- Installez les accessoires qui accompagnent l'appareil. Pour plus de détails, reportez-vous à la partie OPTIONS ET ACCESSOIRES.

## Modèles HBGB

### **ATTENTION**

**N'utilisez pas les modèles intégrés si le boîtier de commande n'est pas correctement installé comme décrit dans les instructions d'installation.**

### **AVIS**

**Les dommages à toute partie du comptoir pouvant être causés par la chaleur générée par l'équipement de Hatco ne sont pas couverts par la garantie de Hatco. Contactez le fabricant du comptoir pour obtenir des renseignements.**

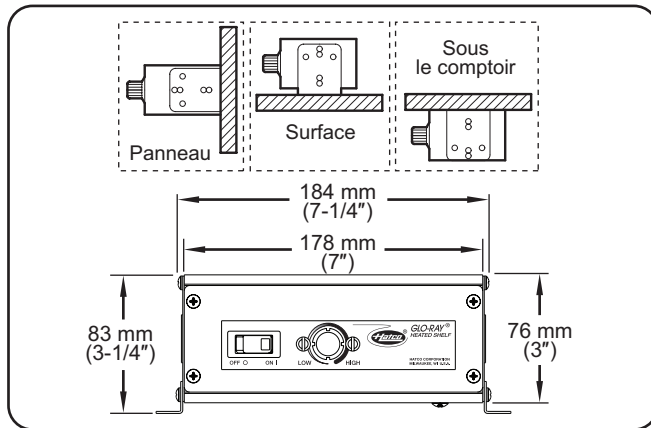
**N'allumez pas l'appareil tant qu'il n'a pas été entièrement nettoyé. La surface en vitrocéramique doit être exempte de tout débris afin d'éviter qu'ils ne brûlent.**

- Sortir l'appareil de sa boîte.

*NOTA : Pour éviter des retards dans l'obtention de la couverture de la garantie, complétez l'enregistrement en ligne de votre garantie. Lisez la section INFORMATIONS IMPORTANTES POUR LE PROPRIÉTAIRE pour plus de détails.*

- Retirez le ruban et l'emballage de protection de toutes les surfaces de l'appareil.
- Préparez l'ouverture du comptoir. Reportez-vous au « Tableau des découpes dans le comptoir pour les modèles HBGB » de cette partie afin d'obtenir les dimensions de découpe dans le comptoir recommandées.
- Appliquez un cordon d'un produit d'étanchéité approuvé par la NSF sur le bord supérieur de la découpe dans le comptoir et sur le dessous de la bordure de montage. Le produit d'étanchéité doit être prévu pour une utilisation à une température minimale de 121°C (250°F).
- Placez l'appareil dans l'ouverture du comptoir.
- Retirez l'excès de produit d'étanchéité.
- Placez l'ensemble du boîtier de commande à distance dans une zone d'utilisation pratique. Si nécessaire ou si souhaité, le boîtier de commande peut être installé dans un endroit semi-éloigné.

- Le boîtier de commande peut être monté sur un panneau, une surface ou sous le comptoir. S'il est encastré, une découpe de montage de 184 x 83 mm (7-1/4" x 3-1/4") devra être réalisée sur le boîtier de commande.
- La distance entre le boîtier de commande et l'appareil est déterminée par le cordon de 91,4 cm (3") (des cordons de 1,829 mm (6") et 3,048 mm (10") sont également disponible en option). Ne tendez pas le cordon pour augmenter la distance de montage. Laissez un peu de jeu sur le cordon une fois le boîtier de commande installé.



Options de montage du boîtier de commande

**AVIS**

Ne modifiez pas le câblage et ne coupez pas le tube capillaire du thermostat du boîtier de commande pour augmenter l'éloignement du montage à distance. Si vous coupez le tube capillaire du thermostat, cela fera surchauffer l'appareil et pourrait l'endommager ainsi que le comptoir qui l'entoure.

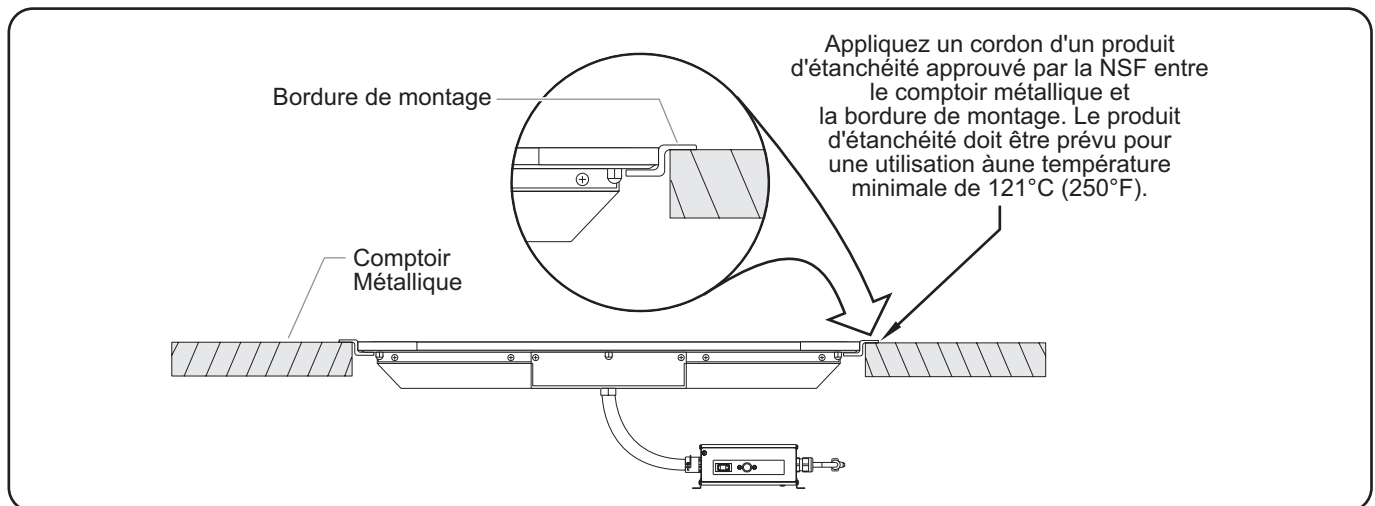
NOTA: Le boîtier de commande à distance doit être monté à l'aide de vis, dont la tête doit avoir un diamètre minimum de 6 mm (1/4\"), insérées dans les orifices situés sur les supports de montage. Le boîtier de commande doit être facilement déplaçable, et non pas fixé de manière permanente.

8. Une fois que tous les composants sont fixés, passez à la partie Utilisation.

NOTA: Un cordon d'1,829 m (6') est fourni avec cet appareil. Si le cordon est trop grand, il devra être placé correctement afin qu'il ne pende pas. NE COUPEZ PAS le cordon, toute modification annulerait la garantie.

**Tableau des découpes dans le comptoir pour les modèles HBGB**

Modèle	Largeur	Profondeur
HBGB-2418	625 mm (24-5/8") — 632 mm (24-7/8")	473 mm (18-5/8") — 480 mm (18-7/8")
HBGB-3018	778 mm (30-5/8") — 784 mm (30-7/8")	473 mm (18-5/8") — 480 mm (18-7/8")
HBGB-3618	930 mm (36-5/8") — 937 mm (36-7/8")	473 mm (18-5/8") — 480 mm (18-7/8")
HBGB-4818	1235 mm (48-5/8") — 1241 mm (48-7/8")	473 mm (18-5/8") — 480 mm (18-7/8")
HBGB-6018	1540 mm (60-5/8") — 1546 mm (60-7/8")	473 mm (18-5/8") — 480 mm (18-7/8")
HBGB-7218	1845 mm (72-5/8") — 1851 mm (72-7/8")	473 mm (18-5/8") — 480 mm (18-7/8")



Installation des modèles HBGB intégrés

## Généralités

Suivez la procédure suivante pour allumer et utiliser l'étagère chauffante noire en vitrocéramique.

### **AVERTISSEMENT**

Lire tous les messages de sécurité de la section Consignes de sécurité importantes avant d'utiliser ce matériel.

### **AVIS**

N'allumez pas l'appareil tant qu'il n'a pas été entièrement nettoyé. La surface en vitrocéramique doit être exempte de tout débris afin d'éviter qu'ils ne brûlent.

Ne faites pas glisser de récipients sur la surface en vitrocéramique, n'utilisez pas de récipients à fond rugueux et ne laissez rien tomber sur la surface en vitrocéramique. Cela pourrait rayer ou casser la surface en vitrocéramique. Les dommages occasionnés à la surface en vitrocéramique ou le bris de la vitre dus à une utilisation inappropriée ne sont pas couverts par la garantie.

Utilisez uniquement des chiffons, lingettes et produits nettoyants conçus spécifiquement pour nettoyer des surfaces en vitrocéramique. L'utilisation d'autres chiffons, lingettes ou produits nettoyants risque d'endommager la surface en vitrocéramique.

## Mise en service

1. À l'aide d'une lingette nettoyante ou d'un chiffon humide approprié, nettoyez la surface en vitrocéramique de l'appareil. Un nettoyage constant quotidien permet de nettoyer facilement, et protège et préserve la surface en vitrocéramique de l'appareil.
2. Branchez l'unité à une prise possédant le voltage, la dimension et la configuration adéquats. Consultez la section CARACTÉRISTIQUES TECHNIQUES pour obtenir plus de détails.
3. Placez l'interrupteur d'alimentation I/O (marche/arrêt) sur la position « I » (marche).

### **ATTENTION**

**DANGER DE BRÛLURE :** Certaines surfaces extérieures de l'appareil deviennent chaudes. Toucher ces zones de l'appareil avec précaution.

4. Tournez la commande de température pour choisir le réglage de température souhaité.

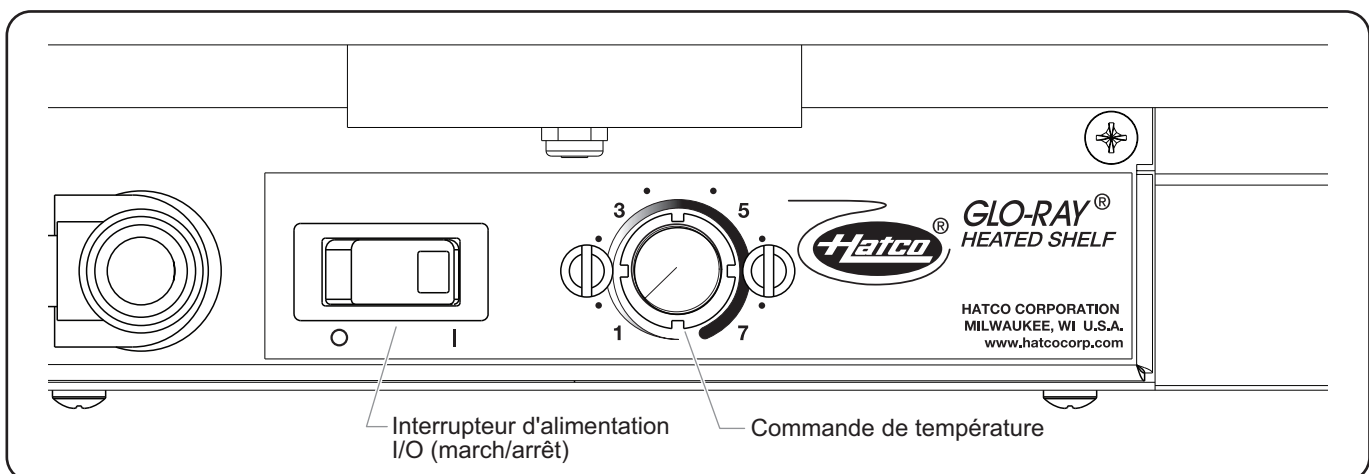
*NOTA: Tourner la commande de température dans le sens des aiguilles d'une montre augmentera la température. Tourner la commande de température dans le sens inverse des aiguilles d'une montre abaissera la température.*

5. Attendez 30 minutes que l'appareil ait le temps d'atteindre sa température de service avant d'y placer le produit alimentaire préchauffé.

*NOTA: Reportez-vous à la partie OPTIONS ET ACCESSOIRES pour obtenir des informations sur l'installation et l'utilisation des modèles HBGB équipés d'un boîtier de commande encastrable.*

## Arrêt

1. Mettez l'interrupteur d'alimentation I/O (marche/arrêt) en position **O** (arrêt) et attendez que l'appareil refroidisse.
2. Effectuez la procédure de « Nettoyage quotidien » décrite dans la section MAINTENANCE de ce manuel.



Panneau de commande standard

## Généralités

Les étagères chauffantes en vitrocéramique sont conçues pour avoir une durée de vie et des performances maximales, avec un minimum d'entretien.

### AVERTISSEMENT

#### DANGER DE DÉCHARGE ÉLECTRIQUE :

- Mettez l'unité hors tension depuis l'interrupteur, débranchez le cordon d'alimentation et laissez l'unité refroidir avant d'effectuer tout nettoyage, tout réglage ou tout entretien.
- NE PAS immerger l'appareil ni le saturer d'eau. L'appareil n'est pas étanche à l'eau. Ne pas le faire fonctionner s'il a été immergé ou saturé d'eau.
- Cet appareil n'est pas étanche aux jets. Ne pas utiliser de jet sous pression pour nettoyer l'appareil.

Cet appareil ne contient aucune pièce réparable par l'utilisateur. Si cet appareil doit être réparé, contacter un réparateur Hatco agréé ou le Service après-vente Hatco au 800-558-0607 ou 414-671-6350.

### AVIS

N'allumez pas l'appareil tant qu'il n'a pas été entièrement nettoyé. La surface en vitrocéramique doit être exempte de tout débris afin d'éviter qu'ils ne brûlent.

Utilisez uniquement des chiffons, lingettes et produits nettoyants conçus spécifiquement pour nettoyer des surfaces en vitrocéramique. L'utilisation d'autres chiffons, lingettes ou produits nettoyants risque d'endommager la surface en vitrocéramique.

## Nettoyage quotidien

Un nettoyage constant quotidien permet de nettoyer facilement, et protège et préserve la surface en vitrocéramique. Utilisez uniquement des chiffons, lingettes et produits nettoyants conçus spécifiquement pour nettoyer des surfaces en vitrocéramique.

1. Chaque jour, avant d'allumer l'appareil, nettoyez la surface en vitrocéramique en utilisant une lingette nettoyante ou un chiffon humide approprié.
2. À la fin de chaque journée :
  - a. Éteignez l'appareil et laissez-le refroidir.
  - b. Nettoyez la surface en vitrocéramique en utilisant une lingette nettoyante ou un chiffon humide approprié. Si un nettoyage supplémentaire est nécessaire, suivez la procédure « Nettoyage des résidus carbonisés » de cette section.

## Nettoyage des déversements sucrés/collants

Pour nettoyer les déversements sucrés/collants, l'appareil devrait être chaud pendant le nettoyage afin de faciliter leur retrait.

1. Éteignez l'appareil et débranchez le cordon d'alimentation. **ATTENTION ! Risque de brûlures - l'étagère chauffée est très chaude. Soyez prudent lorsque vous touchez cette zone.**
2. Portez un gant isolant tant que l'appareil est chaud et retirez la majorité du déversement à l'aide d'un papier absorbant.

3. Laissez l'appareil refroidir.

4. Suivez la procédure « Nettoyage des résidus carbonisés » de cette section afin d'éliminer le reste du déversement.

5. N'utilisez pas l'appareil avant que le déversement ne soit complètement nettoyé.

### ATTENTION

L'apparition de traces de corrosion ou de marques sur la surface en vitrocéramique peut être due à des déversements sucrés. Si cela se produit, la surface en vitrocéramique doit être remplacée. Pour prévenir tout autre dommage ou risque de blessure avec le verre cassé, cessez immédiatement d'utiliser l'appareil et contactez un agent de maintenance agréé de Hatco.

## Nettoyage des résidus carbonisés

Pour nettoyer les résidus carbonisés, il peut s'avérer nécessaire d'utiliser un produit nettoyant pour vitrocéramique.

1. Éteignez l'appareil, débranchez le cordon d'alimentation et laissez l'appareil refroidir.
2. Versez quelques gouttes de produit nettoyant pour vitrocéramique au niveau des résidus.
3. À l'aide d'une lingette nettoyante, frottez les résidus tout en appuyant si nécessaire.
4. S'il reste des résidus, répétez les étapes ci-dessus.
5. Une fois les résidus éliminés, polissez toute la surface en vitrocéramique à l'aide du produit nettoyant pour vitrocéramique et d'un papier absorbant.

## Nettoyage des traces et des rayures métalliques

Les traces et les rayures métalliques causées par les récipients peuvent généralement être éliminées. Faites attention lorsque vous mettez des récipients sur la surface en vitrocéramique. Pour éviter les traces et les rayures métalliques, ne faites pas glisser les récipients sur la surface en vitrocéramique.

1. Éteignez l'appareil, débranchez le cordon d'alimentation et laissez l'appareil refroidir.
2. Versez quelques gouttes de produit nettoyant pour vitrocéramique au niveau des traces.
3. À l'aide d'une lingette nettoyante, frottez les traces tout en appuyant si nécessaire.
4. S'il reste des traces ou des rayures métalliques, répétez les étapes ci-dessus.

*NOTA: Vérifiez que les fonds des récipients ne soient pas rugueux car cela pourrait rayer la surface en vitrocéramique.*

*NOTA: Les dommages causés par des déversements sucrés/collants ou des récipients à fond rugueux ne sont pas couverts par la garantie.*

## ⚠ AVERTISSEMENT

La réparation de cet appareil doit être confiée exclusivement à du personnel qualifié. Les réparations par des personnes non qualifiées peuvent provoquer des décharges électriques et des brûlures.

## ⚠ AVERTISSEMENT

**DANGER DE DÉCHARGE ÉLECTRIQUE:** Mettez l'unité hors tension depuis l'interrupteur, débranchez le cordon d'alimentation et laissez l'unité refroidir avant d'effectuer tout nettoyage, tout réglage ou tout entretien.

Symptômes	Causes Probables	Action Correctrice
L'appareil est trop chaud.	Thermostat réglé trop haut.	Baissez le thermostat.
	La commande de température est coincée en position HAUTE.	Contactez votre agent de maintenance agréé ou Hatco pour toute demande d'assistance.
	L'appareil n'est pas branché sur une source d'alimentation adaptée.	Vérifiez avec un personnel qualifié que l'alimentation électrique est adaptée aux caractéristiques de l'appareil.
L'appareil n'est pas suffisamment chaud.	Thermostat réglé trop bas.	Montez le thermostat.
	L'emplacement de l'appareil est exposé aux courants d'air (conduits d'air climatisé ou ventilateurs d'extraction ou les portes extérieures).	Bloquez les courants d'air ou déplacez l'appareil.
L'appareil ne fonctionne pas du tout.	L'appareil n'est pas branché.	Branchez l'appareil sur une source d'alimentation adaptée.
	L'appareil n'est pas allumé.	Placez l'interrupteur d'alimentation I/O (marche/arrêt) sur la position « I » (marche).
	L'interrupteur d'alimentation I/O (marche/arrêt) ne fonctionne pas.	Contactez votre agent de maintenance agréé ou Hatco pour toute demande d'assistance.
	Les éléments chauffants ne fonctionnent pas.	
	La commande de température est défectueuse.	

### Vous avez des questions en ce qui concerne les pannes?

Si le problème persiste, veuillez contacter l'agence d'entretien agréée Hatco la plus proche ou Hatco pour obtenir une assistance. Pour trouver l'agence d'entretien la plus proche, rendez-vous sur le site Internet de Hatco ([www.hatcocorp.com](http://www.hatcocorp.com)) et sélectionnez le menu déroulant *Support (Assistance)*, puis cliquez sur « Find A Service Agent » (trouver un agent d'entretien); ou contactez l'équipe d'entretien et de pièces détachées de Hatco :

Numéro de téléphone: 800-558-0607 ou 414-671-6350

Courriel: [support@hatcocorp.com](mailto:support@hatcocorp.com)

## OPTIONS ET ACCESSOIRES

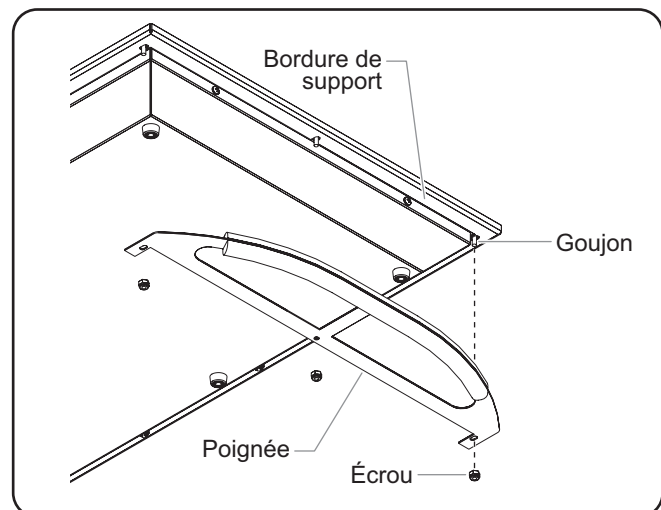
### Poignées (Modèle HBG)

Des poignées additionnelles sont disponibles pour le modèle HBG.

**HANDLE-18-BLK...** Poignées noires arrondies tendance peintes par poudrage en acier inoxydable

Les poignées peuvent être installées sur chaque extrémité de l'appareil en suivant la procédure suivante :

1. Retirez les trois écrous placés en dessous de la bordure de support de la surface en vitrocéramique.
2. Alignez les trois orifices de la poignée avec les trois goujons de la bordure de support, puis positionnez la poignée sur les goujons.
3. Remettez les trois écrous sur les goujons et serrez fermement.
4. Répétez la procédure à l'extrémité opposée de l'appareil.



Montage des poignées

### Pieds réglables 102 mm (4") (Modèle HBG)

Suivez la procédure suivante pour monter les pieds réglables de 10,2 cm (4") à la place des pieds en caoutchouc sur un modèle HBG.

NOTA: Les pieds de 102 mm (4") sont inclus avec les modèles de plus d'1041 mm (36") de large.

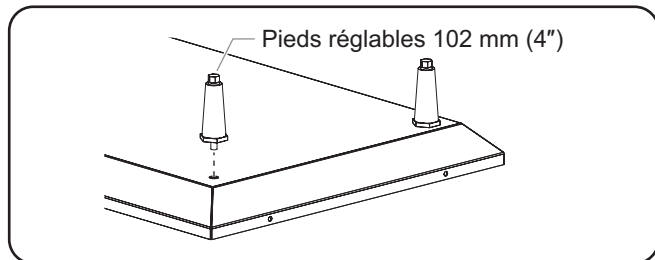
#### AVERTISSEMENT

**DANGER DE DÉCHARGE ÉLECTRIQUE :** Mettez l'unité hors tension depuis l'interrupteur, débranchez le cordon d'alimentation et laissez l'unité refroidir avant d'effectuer tout nettoyage, tout réglage ou tout entretien.

#### AVIS

**Ne couchez pas l'unité sur le côté comportant le panneau de commande. L'unité pourrait être endommagée.**

1. Éteignez l'appareil, débranchez le cordon d'alimentation et laissez l'appareil refroidir.
2. Retournez l'appareil avec précaution et posez-le sur une surface plane. Assurez-vous de recouvrir la surface en vitrocéramique afin de la protéger contre les rayures.
3. À chaque coin de la base, enlevez la vis du pied puis le pied en caoutchouc.



Installation des pieds de 102 mm (4")

4. À chaque coin de la base, vissez un pied de 102 mm (4") sur le dessous de la base.

NOTA: Les pieds sont réglables pour ajuster la hauteur de l'unité. Utilisez une clé à fourche de 16 mm (5/8") afin d'effectuer des réglages une fois l'unité à son emplacement final.

### Boîtiers de commande encastrables (modèles HBGB)

Un boîtier de commande à distance encastrable est disponible en tant qu'option installée en usine pour les modèles HBGB.

#### AVERTISSEMENT

**Danger de décharge électrique :** Le boîtier de contrôle à distance doit être installé en position verticale sur un mur vertical. Si le boîtier de contrôle à distance est installé en position horizontale, du liquide risque de s'accumuler à l'intérieur et provoquer une décharge électrique.

#### AVIS

Installez le boîtier de commande à distance en dehors de la zone de chauffe. L'installation du boîtier de commande près de la zone de chauffe peut entraîner la surchauffe, le dysfonctionnement voire la panne de la ou des commandes.

#### AVIS

**Ne modifiez pas le câblage et ne coupez pas le tube capillaire du thermostat du boîtier de commande pour augmenter l'éloignement du montage à distance. Si vous coupez le tube capillaire du thermostat, cela fera surchauffer l'appareil et pourrait l'endommager ainsi que le comptoir qui l'entoure.**

#### Installation du boîtier de commande

NOTA: L'intervention d'un électricien qualifié est recommandée pour installer le boîtier de commande encastrable.

1. Préparez la découpe et pré-percez les orifices des vis.
2. Retirez le couvercle à découper de l'ensemble du boîtier de commande.
3. Placez le boîtier de commande dans l'ouverture par la face arrière.
4. Fixez le boîtier de commande à la surface à l'aide des vis (non fournies).
5. Réinstallez le couvercle à découper.
6. Branchez le boîtier de commande à une prise de courant de la bonne tension, taille et configuration de fiche reliée à la terre. Reportez-vous à la section CARACTÉRISTIQUES TECHNIQUES pour obtenir plus de détails.

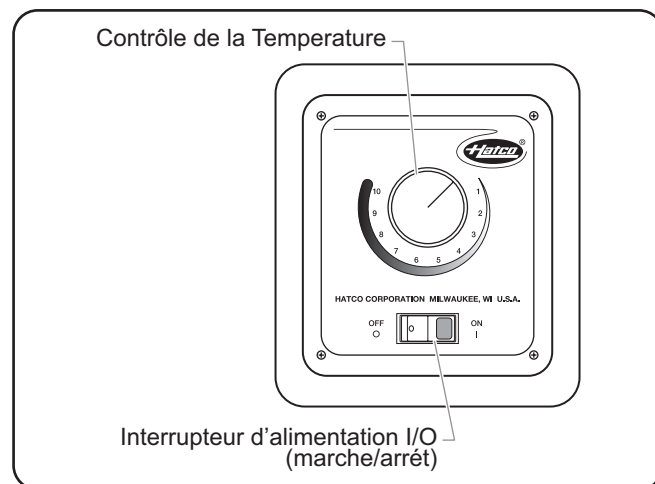
NOTA: Les appareils sont équipés d'un cordon flexible de 914 mm (3") reliant le boîtier de commande à l'appareil. La commande ITC propose également des cordons de 1,829 mm (6") et de 3,048 mm (10").

#### Interrupteur d'alimentation I/O (marche / arrêt)

Les deux boîtiers de commande à distance encastrables intègrent un interrupteur d'alimentation I/O (marche/arrêt). Placez interrupteur d'alimentation I/O (marche/arrêt) sur la position « I » (marche) pour allumer l'appareil. Le témoin lumineux de l'interrupteur s'allume lorsque l'appareil est en marche.

#### Changer la température nominale - Contrôle mécanique de la température

Tournez le contrôle de la température dans le sens des aiguilles d'une montre pour augmenter la température nominale. Tournez le contrôle de la température dans le sens inverse des aiguilles d'une montre pour réduire la température nominale.



Contrôle mécanique de la température

## Changer la température nominale — Régulateur numérique de la température

Une fois allumés, les appareils munis du régulateur numérique de la température chaufferont automatiquement jusqu'à la température nominale. Suivez la procédure ci-après pour programmer la température nominale.

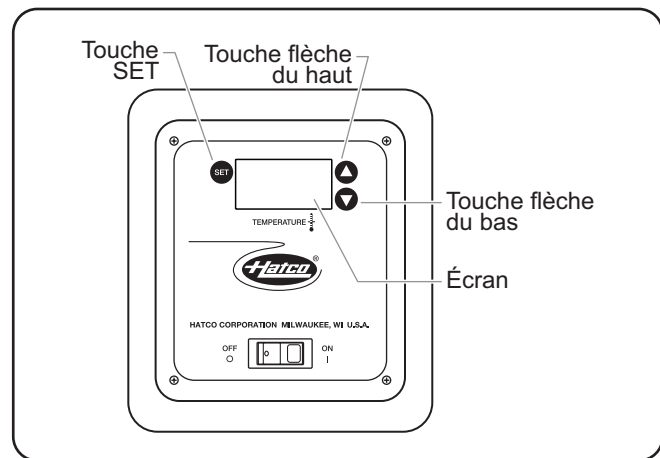
### AVIS

**Les appareils intégrés ne doivent pas atteindre un point de consigne de température supérieur à 93°C (200°F). Les températures dépassant les 93°C (200°F) endommagent l'appareil et annulent la garantie.**

*NOTA: La température affichée à l'écran peut s'avérer inexacte lorsque la température de l'appareil est inférieure à 54°C (130°F).*

1. Appuyez 3 fois sur la touche **SET**. La température nominale actuelle s'affichera sur l'écran TEMPÉRATURE (le signe « SP » s'affichera après la deuxième pression).
2. Appuyez sur la touche ▲ ou ▼ dans les 10 secondes pour modifier la température nominale.
3. Appuyez sur la touche **SET** pour verrouiller la nouvelle température nominale. L'affichage TEMPÉRATURE restera vierge pendant deux secondes puis indiquera que les nouveaux paramètres ont été acceptés.

*NOTA: Après dix secondes d'inactivité au cours de la programmation, le régulateur quittera automatiquement le mode programmation sans mémoriser la nouvelle valeur.*



Régulateur de température numérique

## Alternance entre l'affichage Fahrenheit et Celsius — Régulateur numérique de la température

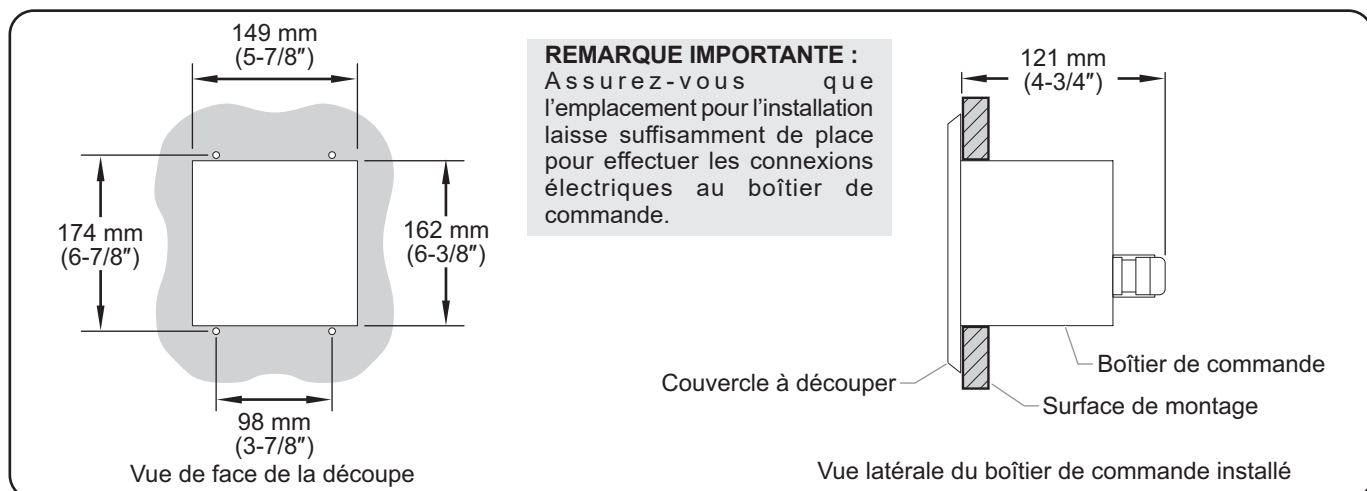
Utilisez la procédure ci-après pour alterner entre l'affichage Fahrenheit et Celsius.

1. Appuyez une fois sur la touche **SET**. Saisissez « F » pour un affichage en Fahrenheit ou « C » pour un affichage en Celsius.
2. Appuyez sur la touche ▲ ou ▼ dans les 10 secondes pour alterner entre l'affichage « F » (Fahrenheit) et « C » (Celsius).
3. Appuyez trois fois sur la touche **SET** pour verrouiller le nouveau paramètre. L'affichage TEMPÉRATURE restera vierge pendant deux secondes puis indiquera que les nouveaux paramètres ont été acceptés.

*NOTA: Après dix secondes d'inactivité au cours de la programmation, le régulateur quittera automatiquement le mode programmation sans mémoriser la nouvelle valeur.*

## Vitrocéramique blanche

La vitrocéramique blanche est offerte en option installée à l'usine en remplacement à la vitrocéramique noire standard.



Dimensions de montage du boîtier de commande encastrable

**1. GARANTIE DU PRODUIT**

Hatco garantit que les produits qu'il fabrique (les « Produits ») sont exempts de défauts de matériel et de fabrication, dans des conditions normales d'utilisation et de maintenance, pour une période d'un (1) an à partir de la date d'achat à condition que l'appareil soit installé et entretenu conformément aux instructions écrites de Hatco ou 18 mois après la date de l'expédition par Hatco. L'acheteur doit prouver la date d'achat du Produit par l'enregistrement de ce dernier auprès de Hatco ou par d'autres moyens satisfaisants pour Hatco, à sa seule discrétion.

Hatco garantit que les composants du Produit suivants sont exempts de défauts de matériel et de fabrication à partir de la date d'achat (sous réserve des conditions précédentes) pour la ou les périodes de temps et en fonction des conditions listées ci-dessous :

- a) **Garantie d'un (1) an pour les pièces et la main-d'œuvre PLUS un (1) an supplémentaire pour les pièces uniquement :**  
 Éléments du grille-pain à convoyeur (enveloppe métallique)  
 Éléments des tiroirs chauffants (enveloppe métallique)  
 Tiroirs, roues et glissières des tiroirs chauffants  
 Éléments des rampes chauffantes (enveloppe métallique)  
 Éléments des vitrines chauffantes  
 (enveloppe métallique, air chauffant)  
 Éléments des armoires de stockage  
 (enveloppe métallique, air chauffant)  
 Éléments des compartiments chauffants —  
 série HW et HWB (enveloppe métallique)
- b) **Garantie de deux (2) ans pour les pièces et la main-d'œuvre :**  
 Gammes à induction  
 Réchauds à induction
- c) **Garantie d'un (1) an pour les pièces et la main-d'œuvre PLUS quatre (4) ans pour les pièces uniquement :**  
 Cuves 3CS et FR
- d) **Garantie d'un (1) an pour les pièces et la main-d'œuvre PLUS neuf (9) ans pour les pièces uniquement :**  
 Cuves des appareils de chauffage d'appoint électriques  
 Cuves des appareils de chauffage d'appoint à gaz
- e) **Garantie de quatre-vingt-dix (90) jours pour les pièces uniquement :**  
 Pièces de rechange

LES GARANTIES PRÉCÉDENTES SONT EXCLUSIVES ET REMPLACENT TOUTES AUTRES GARANTIES, EXPRESSES OU IMPLICITES, COMPRENANT, MAIS NE SE LIMITANT PAS, À TOUTES GARANTIES IMPLICITES DE QUALITÉ MARCHANDE OU DE FINALITÉ PARTICULIÈRE OU TOUTS BREVETS OU TOUTES AUTRES ATTEINTES AUX DROITS DE LA PROPRIÉTÉ INTELLECTUELLE. Sans restreindre la portée générale des énoncés précédents, CES GARANTIES NE COUVRENT PAS LES ÉLÉMENTS SUIVANTS : ampoules d'éclairage à incandescence enduites, lumières fluorescentes, ampoules de lampes chauffantes, ampoules d'éclairage à halogène enduites, ampoules de lampes chauffantes au xénon, tubes d'éclairage DEL, composants en verre et fusibles ; défaut de produit dans la cuve d'un appareil de chauffage d'appoint, dans un échangeur de chaleur à tubes à ailettes ou tout autre équipement de chauffage d'eau causé par la calcification, l'accumulation de sédiments, la réaction d'un produit chimique ou le gel ; ou une mauvaise utilisation, une manipulation ou une mauvaise application, une installation inappropriée du Produit ou l'utilisation d'une tension inappropriée.

**2. LIMITES DES RECOURS ET DES DOMMAGES**

La responsabilité de Hatco et la seule voie de recours de l'Acheteur prévues par les présentes seront limitées exclusivement, au gré de Hatco, à la réparation ou au remplacement à l'aide de pièces ou de Produits nouveaux ou remis à neuf par Hatco ou un centre de réparation agréé par Hatco (sauf si l'Acheteur se situe hors des États-Unis, du Canada, du Royaume-Uni ou de l'Australie, auquel cas la responsabilité de Hatco et la seule voie de recours de l'Acheteur seront limitées exclusivement au remplacement des pièces concernées par la garantie) à l'égard de toute revendication effectuée dans les délais de garantie applicables mentionnés ci-dessus. Hatco se réserve le droit d'accepter ou de rejeter toute réclamation en partie ou dans son intégralité. Dans le cadre de cette Garantie limitée, « remis à neuf » signifie une pièce ou un Produit dont les caractéristiques techniques d'origine ont été restaurées par Hatco ou un centre de réparation agréé par Hatco. Hatco n'acceptera aucun retour de Produits sans qu'il n'ait auparavant donné son accord écrit, et tous ces retours approuvés doivent être effectués aux seuls frais de l'Acheteur. HATCO NE SERA PAS TENU RESPONSABLE, DANS AUCUNE CIRCONSTANCE, DES DOMMAGES CONSÉCUTIFS OU INDIRECTS, COMPRENANT, MAIS NE SE LIMITANT PAS, AUX COÛTS DE MAIN-D'ŒUVRE OU PERTES DE PROFITS DUS À UNE UTILISATION OU À UNE IMPOSSIBILITÉ D'UTILISER LES PRODUITS OU DUS AU FAIT QUE LES PRODUITS ONT ÉTÉ INTÉGRÉS DANS OU QU'ILS SONT DEVENUS UN COMPOSANT DE TOUT AUTRE PRODUIT OU BIEN.

# AUTHORIZED PARTS DISTRIBUTORS • DISTRIBUTEURS DE PIÈCES AUTORISÉS

## ALABAMA

Jones McLeod Appl. Svc.  
Birmingham 205-251-0159

## ARIZONA

Tech 24  
Phoenix 602-234-2443

Byassee Equipment Co.  
Phoenix 602-252-0402

## CALIFORNIA

Industrial Electric  
Commercial Parts & Service, Inc.  
Huntington Beach 714-379-7100

Chapman Appl. Service  
San Diego 619-298-7106

P & D Appliance  
Commercial Parts & Service, Inc.  
S. San Francisco 650-635-1900

## COLORADO

Hawkins Commercial Appliance  
Englewood 303-781-5548

## FLORIDA

Whaley Foodservice Repair  
Jacksonville 904-725-7800

Whaley Foodservice Repair  
Orlando 407-757-0851

B.G.S.I./Heritage  
Pompano Beach 954-971-0456

Comm. Appliance Service  
Tampa 813-663-0313

## GEORGIA

Heritage Service Group  
Norcross 866-388-9837

## HAWAII

Burney's Comm. Service, Inc.  
Honolulu 808-848-1466

Food Equip Parts & Service  
Honolulu 808-847-4871

## ILLINOIS

Parts Town  
Addison 708-865-7278

Eichenauer Elec. Service  
Decatur 217-429-4229

Midwest Elec. Appl. Service  
Elmhurst 630-279-8000

Cone's Repair Service  
Moline 309-797-5323

## IOWA

Goodwin Tucker Group  
Des Moines 515-262-9308

## KENTUCKY

Tech 24  
Lexington 859-254-8854

Tech 24  
Louisville 502-451-5411

## LOUISIANA

Chandlers Parts & Service  
Baton Rouge 225-272-6620

## MARYLAND

Electric Motor Service  
Baltimore 410-467-8080

## MASSACHUSETTS

Ace Service Co., Inc.  
Needham 781-449-4220

## MICHIGAN

Bildons Appliance Service  
Detroit 248-478-3320

Commercial Kitchen Service  
Bay City 989-893-4561

Midwest Food Equip. Service  
Grandville 616-261-2000

## MISSOURI

General Parts  
Kansas City 816-421-5400

Commercial Kitchen Services  
St. Louis 314-890-0700

Kaemmerlen Parts & Service  
St. Louis 314-535-2222

## NEBRASKA

Anderson Electric  
Omaha 402-341-1414

## NEVADA

Burney's Commercial  
Las Vegas 702-736-0006

Hi. Tech Commercial Service  
N. Las Vegas 702-649-4616

## NEW JERSEY

Jay Hill Repair  
Fairfield 973-575-9145

Service Plus  
Flanders 973-691-6300

## NEW YORK

Alpro Service Co.  
Maspeth 718-386-2515

Duffy's - AIS  
Buffalo 716-884-7425

3Wire  
Plattsburgh 800-634-5005

Duffy's - AIS  
Sauquoit 800-836-1014

J.B. Brady, Inc.  
Syracuse 315-422-9271

## NORTH CAROLINA

Authorized Appliance  
Charlotte 704-377-4501

## OHIO

Akron/Canton Comm. Svc. Inc.  
Akron 330-753-6634

Tech 24  
Cincinnati 513-772-6600

Commercial Parts and Service  
Columbus 614-221-0057

Electrical Appl. Repair Service  
Brooklyn Heights 216-459-8700

E. A. Wichman Co.  
Toledo 419-385-9121

## OKLAHOMA

Hagar Rest. Service, Inc.  
Oklahoma City 405-235-2184

## OREGON

General Parts Group  
Portland 503-624-0890

## PENNSYLVANIA

Elmer Schultz Services  
Philadelphia 215-627-5401

FAST Comm. Appl. Service  
Philadelphia 215-288-4800

AIS Commercial Parts and Service  
Pittsburgh 412-809-0244

K & D Service Co.  
Harrisburg 717-236-9039

Electric Repair Co.  
Reading 610-376-5444

## RHODE ISLAND

Marshall Electric Co.  
Providence 401-331-1163

## SOUTH CAROLINA

Whaley Foodservice Repair  
Lexington 803-996-9900

## TENNESSEE

Camp Electric  
Memphis 901-527-7543

## TEXAS

Armstrong Repair Service  
Houston 713-666-7100

Cooking Equipment Specialist  
Mesquite 972-686-6666

Commercial Kitchen Repair Co.  
San Antonio 210-735-2811

## UTAH

La Monica's Rest. Equip. Service  
Murray 801-263-3221

## VIRGINIA

Daubers  
Norfolk 757-855-4097

Daubers  
Springfield 703-866-3600

## WASHINGTON

3Wire  
Seattle 800-207-3146

## WISCONSIN

A.S.C., Inc.  
Madison 608-246-3160

A.S.C., Inc.  
Milwaukee 414-543-6460

## CANADA

### ALBERTA

Key Food Equipment Service  
Edmonton 780-438-1690

### BRITISH COLUMBIA

Key Food Equipment Service  
Vancouver 604-433-4484

Key Food Equipment Service  
Victoria 250-920-4888

### MANITOBA

Air Rite, Inc.  
Winnipeg 204-895-2300

### NEW BRUNSWICK

EMR Services, Ltd.  
Moncton 506-855-4228

### ONTARIO

R.G. Henderson Ltd.  
Toronto 416-422-5580

Choquette - CKS, Inc.  
Ottawa 613-739-8458

### QUÉBEC

Choquette - CKS, Inc.  
Montreal 514-722-2000

Choquette - CKS, Inc.  
Québec City 418-681-3944

## UNITED KINGDOM

Marren Group  
Northants +44(0)1933 665313

**HATCO CORPORATION**

**P.O. Box 340500**

**Milwaukee, WI 53234-0500 U.S.A.**

**800-558-0607 414-671-6350**

**support@hatcocorp.com**

**www.hatcocorp.com**

**Register your unit online!**

See IMPORTANT OWNER INFORMATION  
section for details.

**Enregistrez votre appareil en ligne !**

Lisez la section INFORMATIONS IMPORTANTES POUR  
LE PROPRIÉTAIRE pour plus d'informations.