

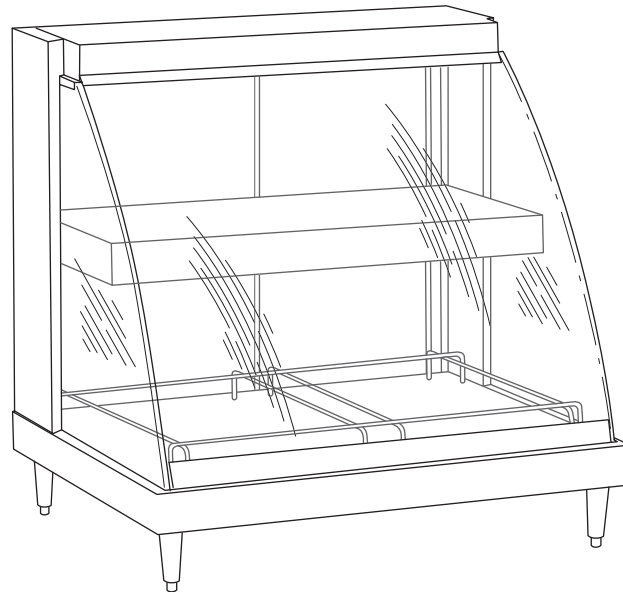


GLO-RAY®

Designer Heated Display Cases

GRCD Series

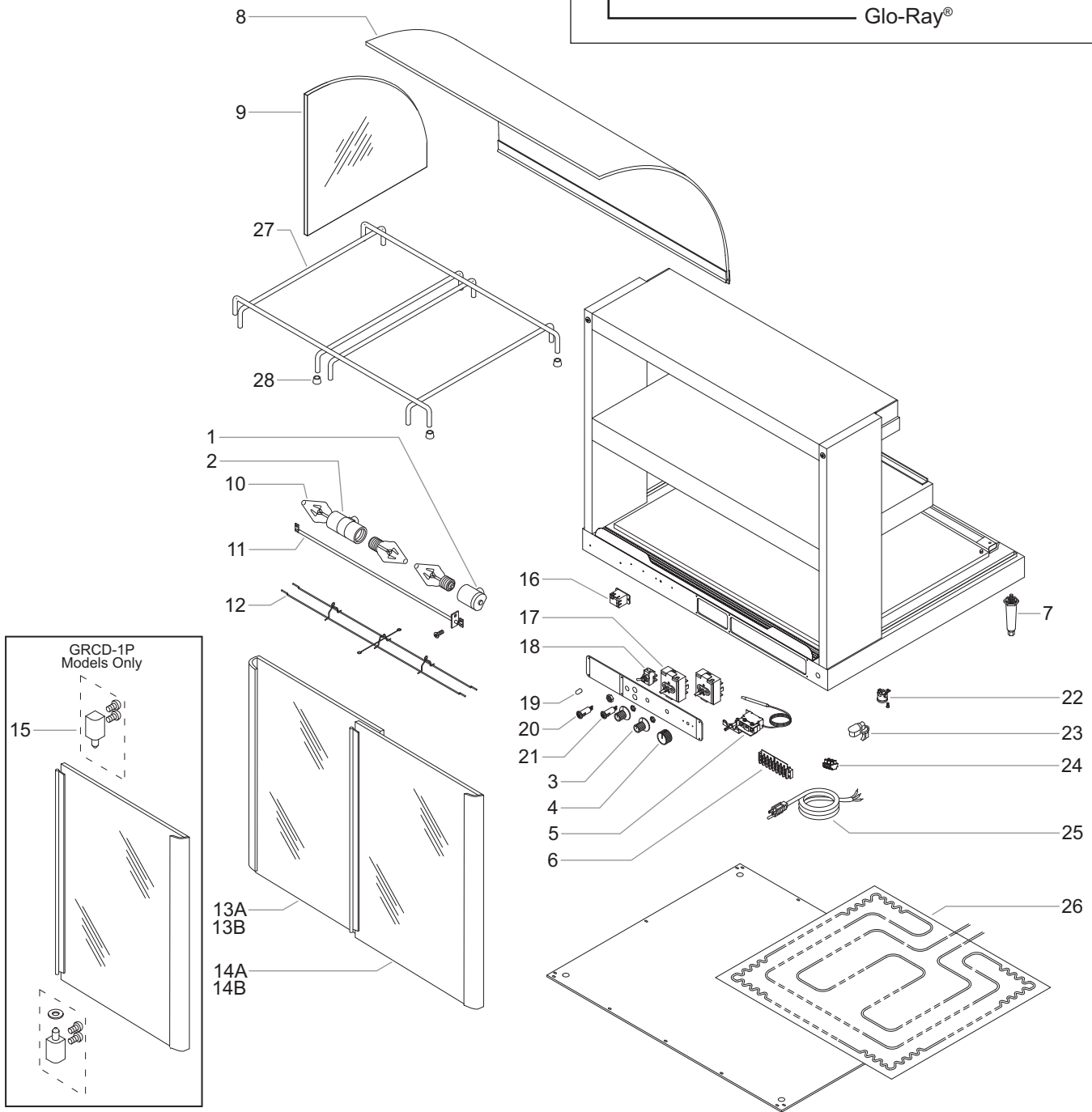
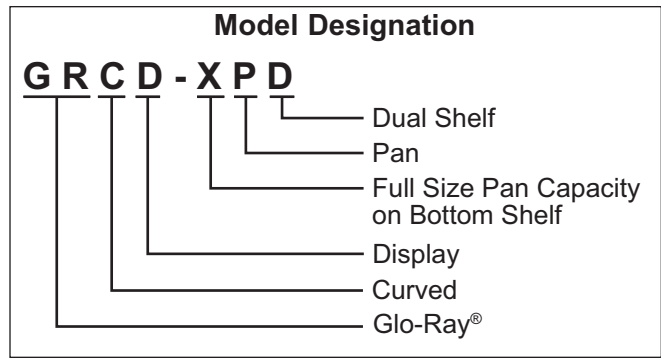
GRCD-1P	GRCD-2P	GRCD-3P
GRCD-1PD	GRCD-2PD	GRCD-3PD
GRCDH-1P	GRCDH-2P	GRCDH-3P
GRCDH-1PD	GRCDH-2PD	GRCDH-3PD



Replacement Parts List

HATCO GLO-RAY® DESIGNER HEATED DISPLAY CASES

GRCD Series



CAUTION

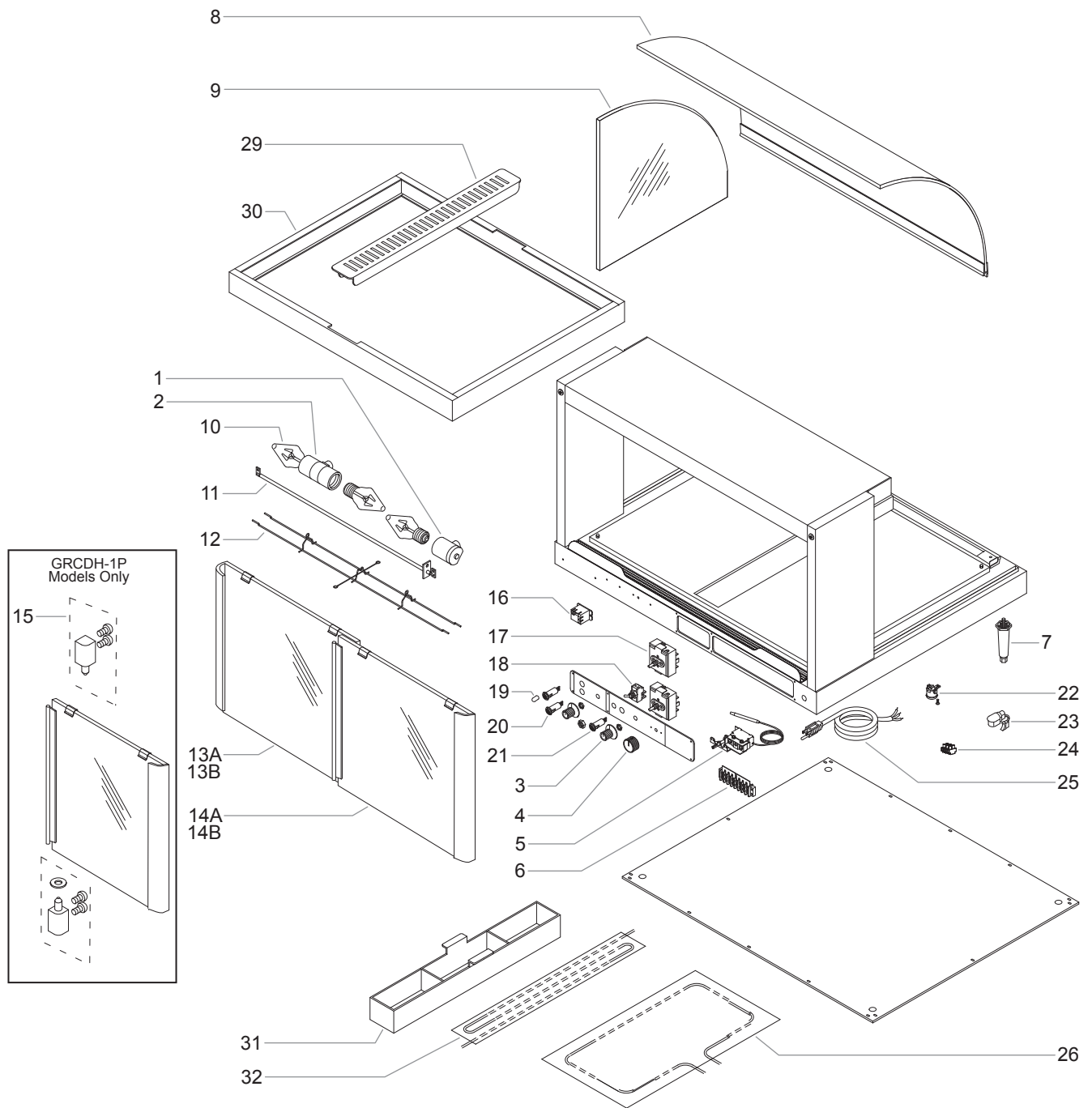
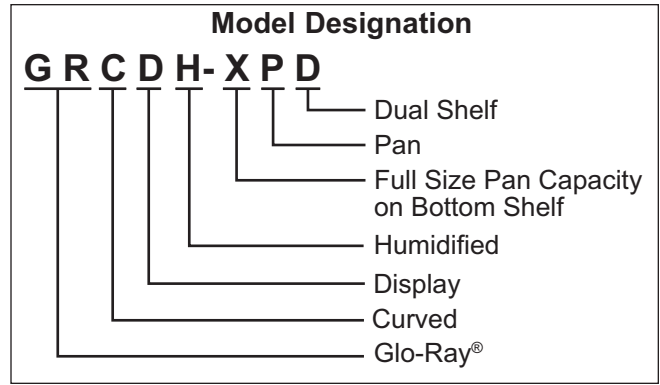
Use of replacement parts other than those supplied by Hatco Corporation may result in damage to unit or injury to personnel and will void all warranties.



24 Hour 7 Day Parts and Service Assistance available in the United States and Canada by calling 800-558-0607.

HATCO GLO-RAY DESIGNER HEATED DISPLAY CASES WITH HUMIDITY

GRCDH Series



PARTS COMMON TO ALL GRCD MODELS

Item	Description	Part Number	Qty.
1	Light Socket, Single	02.30.044.00	1-2
2	Light Socket, Dual	02.30.045.00	1-2
3	Knob, Infinite Switch	05.30.043.00	1-3
4	Knob, Thermostat	05.30.018.00	1

Item	Description	Part Number	Qty.
5	Thermostat, Base	02.16.030.00	1
6	Terminal Block, 8-Pole	02.15.012.00	1
7	Legs	05.30.007.00	4

NOTE: Quantities shown as a range (example = "1-3") are dependent upon the number of shelves and/or if the unit is humidified.

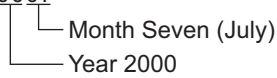
NOTE: The last four digits in a ten digit numerical serial number are the manufacturing date code.

Example: Serial number 9625060751 has a date code of "0751" which indicates the following: 0751



Please note also, prior to January 2001 the serial number date code indicated the month of manufacture.

Example: XXXXXX0007



PARTS SPECIFIC TO MODEL GRCD-1P

Item Description	100V Part Number	120V Part Number	120V CSA Part Number	220V Part Number	240V Part Number	220-230 V (CE) Part Number	230-240 V (CE) Part Number
8 Curved Glass, Front	---	R04.40.127.00	R04.40.127.00	R04.40.127.00	R04.40.127.00	R04.40.127.00	R04.40.127.00
9 End Glass (Qty. 2)	---	04.40.105.00	04.40.105.00	04.40.105.00	04.40.105.00	04.40.105.00	04.40.105.00
10 Light Bulb (Qty. 3)	---	02.30.043.00	02.30.043.00	02.30.058.00	02.30.058.00	02.30.058.00	02.30.058.00
11 Heating Element, Upper	---	R02.08.258.00	R02.08.258.00	R02.08.038.00	R02.08.261.00	R02.08.038.00	R02.08.261.00
12 Wire Guard	---	04.37.100.00	04.37.100.00	04.37.100.00	04.37.100.00	04.37.100.00	04.37.100.00
13A Glass Door	---	R04.40.129.00	R04.40.129.00	R04.40.129.00	R04.40.129.00	R04.40.129.00	R04.40.129.00
13B Glass Door	---	R04.40.138.00	R04.40.138.00	R04.40.138.00	R04.40.138.00	R04.40.138.00	R04.40.138.00
14A Glass Door	---	---	---	---	---	---	---
14B Glass Door	---	---	---	---	---	---	---
15 Hinge Kit	---	R00.01.0115.00	R00.01.0115.00	R00.01.0115.00	R00.01.0115.00	R00.01.0115.00	R00.01.0115.00
16 Relay	---	---	---	---	---	---	---
17 Infinite Control Switch	---	R02.19.018.00	R02.19.018.00	R02.19.019.00	R02.19.019.00	R02.19.019.00	R02.19.019.00
18 On/Off Switch	---	R02.19.016.00	R02.19.016.00	R02.19.008A.00	R02.19.008A.00	R02.19.008A.00	R02.19.008A.00
19 Rubber Boot, Toggle Switch	---	---	---	---	---	02.20.040.00	02.20.040.00
20 Indicator Light, Red	---	02.19.154.00	02.19.154.00	02.19.151.00	02.19.151.00	---	---
Indicator Light, Yellow	---	---	---	---	---	---	---
21 Indicator Light, Green	---	---	---	---	---	02.19.150.00	02.19.150.00
22 High Limit, Automatic	---	---	---	---	---	---	---
High Limit, Manual *	---	---	---	---	---	---	---
23 Strain Relief	---	02.20.206.00	02.20.206.00	02.20.212.00	02.20.212.00	02.20.212.00	02.20.212.00
24 Terminal Block, 3-Pole *	---	---	---	---	---	R02.15.030.00	R02.15.030.00
25 Power Cord w/ Plug	---	R02.18.030.00	R02.18.030.00	02.18.077.00	02.18.066.00	02.18.077.00	02.18.066.00
26 Heating Element, Base	---	02.05.293.00	02.05.293.00	02.05.294.00	02.05.294.00	02.05.294.00	02.05.294.00
27 Pan Rail	---	04.22.364.00	04.22.364.00	04.22.364.00	04.22.364.00	04.22.364.00	04.22.364.00
28 Rubber Foot, Pan Rail (Qty. 8)	---	05.06.039.00	05.06.039.00	05.06.039.00	05.06.039.00	05.06.039.00	05.06.039.00
29 Pan Divider (optional)	---	04.22.400.00	04.22.400.00	04.22.400.00	04.22.400.00	04.22.400.00	04.22.400.00
30 Pan Enclosure, 2 Pan (optional)	---	---	---	---	---	---	---
Pan Enclosure, 1 Pan *	---	04.22.357.00	04.22.357.00	04.22.357.00	04.22.357.00	04.22.357.00	04.22.357.00
31 Water Trough	---	---	---	---	---	---	---
32 Heating Element, Water	---	---	---	---	---	---	---
Electrical Drawing	---	HS2-4741	HS2-4741	HS2-4742	HS2-4743	HS2-5149	HS2-5150

The shaded areas contain part information for **International models only**.

* Not Shown.



PARTS SPECIFIC TO MODEL GRCD-1PD

Item Description	100V Part Number	120V Part Number	120V CSA Part Number	220V Part Number	240V Part Number	220-230 V (CE) Part Number	230-240 V (CE) Part Number
8 Curved Glass, Front	---	R04.40.128.00	R04.40.128.00	R04.40.128.00	R04.40.128.00	R04.40.128.00	R04.40.128.00
9 End Glass (Qty. 2)	---	04.40.091.00	04.40.091.00	04.40.091.00	04.40.091.00	04.40.091.00	04.40.091.00
10 Light Bulb	---	02.30.043.00	02.30.043.00	02.30.058.00	02.30.058.00	02.30.058.00	02.30.058.00
11 Heating Element, Upper (Qty. 3)	---	R02.08.258.00	R02.08.258.00	R02.08.258.00	R02.08.258.00	R02.08.258.00	R02.08.258.00
12 Wire Guard (Qty. 2)	---	04.37.100.00	04.37.100.00	04.37.100.00	04.37.100.00	04.37.100.00	04.37.100.00
13A Glass Door	---	R04.40.130.00	R04.40.130.00	R04.40.130.00	R04.40.130.00	R04.40.130.00	R04.40.130.00
13B Glass Door	---	R04.40.139.00	R04.40.139.00	R04.40.139.00	R04.40.139.00	R04.40.139.00	R04.40.139.00
14A Glass Door	---	---	---	---	---	---	---
14B Glass Door	---	---	---	---	---	---	---
15 Hinge Kit	---	R00.01.0115.00	R00.01.0115.00	R00.01.0115.00	R00.01.0115.00	R00.01.0115.00	R00.01.0115.00
16 Relay	---	---	---	---	---	---	---
17 Infinite Control Switch (Qty. 2)	---	R02.19.018.00	R02.19.018.00	R02.19.018.00	R02.19.018.00	R02.19.018.00	R02.19.018.00
18 On/Off Switch	---	R02.19.016.00	R02.19.016.00	R02.19.008A.00	R02.19.008A.00	R02.19.008A.00	R02.19.008A.00
19 Rubber Boot, Toggle Switch	---	---	---	---	---	02.20.040.00	02.20.040.00
20 Indicator Light, Red	---	02.19.154.00	02.19.154.00	02.19.151.00	02.19.151.00	---	---
Indicator Light, Yellow	---	---	---	---	---	---	---
21 Indicator Light, Green	---	---	---	---	---	02.19.150.00	02.19.150.00
22 High Limit, Automatic	---	---	---	---	---	---	---
High Limit, Manual *	---	---	---	---	---	---	---
23 Strain Relief	---	02.20.206.00	02.20.206.00	02.20.212.00	02.20.212.00	02.20.212.00	02.20.212.00
24 Terminal Block, 3-Pole *	---	---	---	---	---	R02.15.030.00	R02.15.030.00
25 Power Cord w/ Plug	---	R02.18.030.00	R02.18.030.00	02.18.077.00	02.18.066.00	02.18.077.00	02.18.066.00
26 Heating Element, Base	---	02.05.293.00	02.05.293.00	02.05.294.00	02.05.294.00	02.05.294.00	02.05.294.00
27 Pan Rail	---	04.22.364.00	04.22.364.00	04.22.364.00	04.22.364.00	04.22.364.00	04.22.364.00
28 Rubber Foot, Pan Rail (Qty. 8)	---	05.06.039.00	05.06.039.00	05.06.039.00	05.06.039.00	05.06.039.00	05.06.039.00
29 Water Trough	---	---	---	---	---	---	---
30 Pan Enclosure, 2 Pan (optional)	---	---	---	---	---	---	---
Pan Enclosure, 1 Pan *	---	04.22.357.00	04.22.357.00	04.22.357.00	04.22.357.00	04.22.357.00	04.22.357.00
31 Heating Element, Upper (Qty. 3)	---	R02.08.258.00	R02.08.258.00	R02.08.258.00	R02.08.258.00	R02.08.258.00	R02.08.258.00
32 Heating Element, Water	---	---	---	---	---	---	---
Electrical Drawing	---	HS2-4748	HS2-4748	HS2-4749	HS2-4750	HS2-5153	HS2-5154

The shaded areas contain part information for **International models only**. * Not Shown.



PARTS SPECIFIC TO MODEL GRCDH-1P

Item Description	100V Part Number	120V Part Number	120V CSA Part Number	220V Part Number	240V Part Number	220-230 V (CE) Part Number	230-240 V (CE) Part Number
8 Curved Glass, Front	---	R04.40.127.00	R04.40.127.00	R04.40.127.00	R04.40.127.00	R04.40.127.00	R04.40.127.00
9 End Glass (Qty. 2)	---	04.40.105.00	04.40.105.00	04.40.105.00	04.40.105.00	04.40.105.00	04.40.105.00
10 Light Bulb	---	02.30.043.00	02.30.043.00	02.30.058.00	02.30.058.00	02.30.058.00	02.30.058.00
11 Heating Element, Upper	---	R02.08.258.00	R02.08.258.00	R02.08.038.00	R02.08.261.00	R02.08.038.00	R02.08.261.00
12 Wire Guard	---	04.37.100.00	04.37.100.00	04.37.100.00	04.37.100.00	04.37.100.00	04.37.100.00
13A Glass Door	---	R04.40.129.00	R04.40.129.00	R04.40.129.00	R04.40.129.00	R04.40.129.00	R04.40.129.00
13B Glass Door	---	R04.40.138.00	R04.40.138.00	R04.40.138.00	R04.40.138.00	R04.40.138.00	R04.40.138.00
14A Glass Door	---	---	---	---	---	---	---
14B Glass Door	---	---	---	---	---	---	---
15 Hinge Kit	---	R00.01.0115.00	R00.01.0115.00	R00.01.0115.00	R00.01.0115.00	R00.01.0115.00	R00.01.0115.00
16 Relay	---	02.01.088.00	02.01.088.00	02.01.180.00	02.01.105.00	02.01.180.00	02.01.105.00
17 Infinite Control Switch (Qty. 2)	---	R02.19.018.00	R02.19.018.00	R02.19.019.00	R02.19.019.00	R02.19.019.00	R02.19.019.00
18 On/Off Switch	---	R02.19.016.00	R02.19.016.00	R02.19.008A.00	R02.19.008A.00	R02.19.008A.00	R02.19.008A.00
19 Rubber Boot, Toggle Switch	---	---	---	---	---	02.20.040.00	02.20.040.00
20 Indicator Light, Red	---	02.19.154.00	02.19.154.00	02.19.151.00	02.19.151.00	---	---
Indicator Light, Yellow	---	---	---	---	---	---	---
21 Indicator Light, Green	---	02.19.155.00	02.19.155.00	02.19.150.00	02.19.150.00	02.19.150.00	02.19.150.00
22 High Limit, Automatic	---	R02.16.036.00	R02.16.036.00	R02.16.036.00	R02.16.036.00	R02.16.036.00	R02.16.036.00
High Limit, Manual *	---	02.16.071.00	02.16.071.00	02.16.071.00	02.16.071.00	02.16.071.00	02.16.071.00
23 Strain Relief	---	02.20.206.00	02.20.206.00	02.20.212.00	02.20.212.00	02.20.212.00	02.20.212.00
24 Terminal Block, 3-Pole *	---	---	---	---	---	R02.15.030.00	R02.15.030.00
25 Power Cord w/ Plug	---	R02.18.030.00	R02.18.030.00	02.18.077.00	02.18.066.00	02.18.077.00	02.18.066.00
26 Heating Element, Base	---	02.05.293.00	02.05.293.00	02.05.294.00	02.05.294.00	02.05.294.00	02.05.294.00
27 Pan Rail	---	---	---	---	---	---	---
28 Rubber Foot, Pan Rail	---	---	---	---	---	---	---
29 Pan Divider (optional)	---	04.22.400.00	04.22.400.00	04.22.400.00	04.22.400.00	04.22.400.00	04.22.400.00
30 Pan Enclosure, 2 Pan	---	---	---	---	---	---	---
Pan Enclosure, 1 Pan *	---	04.22.357.00	04.22.357.00	04.22.357.00	04.22.357.00	04.22.357.00	04.22.357.00
31 Water Trough	---	04.22.403.00	04.22.403.00	04.22.403.00	04.22.403.00	04.22.403.00	04.22.403.00
32 Heating Element, Water	---	02.05.295.00	02.05.295.00	02.05.296.00	02.05.296.00	02.05.296.00	02.05.296.00
Electrical Drawing	---	HS2-4744	HS2-4744	HS2-4745	HS2-4746	HS2-5151	HS2-5152

The shaded areas contain part information for **International models only**. * Not Shown.



PARTS SPECIFIC TO MODEL GRCDH-1PD

Item	Description	100V Part Number	120V Part Number	120V CSA Part Number	220V Part Number	240V Part Number	220-230 V (CE) Part Number	230-240 V (CE) Part Number
8	Curved Glass, Front	---	R04.40.128.00	R04.40.128.00	R04.40.128.00	R04.40.128.00	R04.40.128.00	R04.40.128.00
9	End Glass (Qty. 2)	---	04.40.091.00	04.40.091.00	04.40.091.00	04.40.091.00	04.40.091.00	04.40.091.00
10	Light Bulb	---	02.30.043.00	02.30.043.00	02.30.058.00	02.30.058.00	02.30.058.00	02.30.058.00
11	Heating Element, Upper (Qty. 3)	---	R02.08.258.00	R02.08.258.00	R02.08.038.00	R02.08.261.00	R02.08.038.00	R02.08.261.00
12	Wire Guard (Qty. 2)	---	04.37.100.00	04.37.100.00	04.37.100.00	04.37.100.00	04.37.100.00	04.37.100.00
13A	Glass Door	---	R04.40.130.00	R04.40.130.00	R04.40.130.00	R04.40.130.00	R04.40.130.00	R04.40.130.00
13B	Glass Door	---	R04.40.139.00	R04.40.139.00	R04.40.139.00	R04.40.139.00	R04.40.139.00	R04.40.139.00
14A	Glass Door	---	---	---	---	---	---	---
14B	Glass Door	---	---	---	---	---	---	---
15	Hinge Kit	---	R00.01.0115.00	R00.01.0115.00	R00.01.0115.00	R00.01.0115.00	R00.01.0115.00	R00.01.0115.00
16	Relay	---	02.01.088.00	02.01.088.00	02.01.080.00	02.01.105.00	02.01.080.00	02.01.105.00
17	Infinite Control Switch (Qty. 3)	---	R02.19.018.00	R02.19.019.00	R02.19.019.00	R02.19.019.00	R02.19.019.00	R02.19.019.00
18	On/Off Switch	---	R02.19.016.00	R02.19.016.00	R02.19.008A.00	R02.19.008A.00	R02.19.008A.00	R02.19.008A.00
19	Rubber Boot, Toggle Switch	---	---	---	---	---	02.20.040.00	02.20.040.00
20	Indicator Light, Red	---	02.19.154.00	02.19.154.00	02.19.151.00	02.19.151.00	---	---
	Indicator Light, Yellow	---	---	---	---	---	---	---
21	Indicator Light, Green	---	02.19.155.00	02.19.155.00	02.19.150.00	02.19.150.00	02.19.150.00	02.19.150.00
22	High Limit, Automatic	---	R02.16.036.00	R02.16.036.00	R02.16.036.00	R02.16.036.00	R02.16.036.00	R02.16.036.00
	High Limit, Manual *	---	02.16.071.00	02.16.071.00	02.16.071.00	02.16.071.00	02.16.071.00	02.16.071.00
23	Strain Relief	---	02.20.206.00	02.20.206.00	02.20.212.00	02.20.212.00	02.20.212.00	02.20.212.00
24	Terminal Block, 3-Pole *	---	---	---	---	---	R02.15.030.00	R02.15.030.00
25	Power Cord w/ Plug	---	R02.18.030.00	R02.18.030.00	02.18.077.00	02.18.066.00	02.18.077.00	02.18.066.00
26	Heating Element, Base (Qty. 2)	---	02.05.293.00	02.05.293.00	02.05.294.00	02.05.294.00	02.05.294.00	02.05.294.00
27	Pan Rail	---	---	---	---	---	---	---
28	Rubber Foot, Pan Rail	---	---	---	---	---	---	---
29	Pan Divider (optional)	---	04.22.400.00	04.22.400.00	04.22.400.00	04.22.400.00	04.22.400.00	04.22.400.00
30	Pan Enclosure, 2 Pan *	---	---	---	---	---	---	---
	Pan Enclosure, 1 Pan *	---	04.22.357.00	04.22.357.00	04.22.357.00	04.22.357.00	04.22.357.00	04.22.357.00
31	Water Trough	---	04.22.403.00	04.22.403.00	04.22.403.00	04.22.403.00	04.22.403.00	04.22.403.00
32	Heating Element, Water	---	02.05.295.00	02.05.295.00	02.05.296.00	02.05.296.00	02.05.296.00	02.05.296.00
	Electrical Drawing	---	HS2-4751	HS2-4751	HS2-4752	HS2-4753	HS2-5155	HS2-5156

The shaded areas contain part information for International models only. * Not Shown.



PARTS SPECIFIC TO MODEL GRCD-2P

Item Description	100V Part Number	120V Part Number	120V CSA Part Number	220V Part Number	240V Part Number	220-230 V (CE) Part Number	230-240 V (CE) Part Number
8 Curved Glass, Front	---	04.40.106.00	R04.40.106.00	R04.40.106.00	R04.40.106.00	R04.40.106.00	R04.40.106.00
9 End Glass (Qty. 2)	---	04.40.105.00	04.40.105.00	04.40.105.00	04.40.105.00	04.40.105.00	04.40.105.00
10 Light Bulb (Qty. 3)	---	02.30.043.00	02.30.043.00	02.30.058.00	02.30.058.00	02.30.058.00	02.30.058.00
11 Heating Element, Upper	---	R02.08.202.00	R02.08.202.00	R02.08.250.00	R02.08.251.00	R02.08.250.00	R02.08.251.00
12 Wire Guard (Qty. 2)	---	04.37.100.00	04.37.100.00	04.37.100.00	04.37.100.00	04.37.100.00	04.37.100.00
13A Glass Door, Inner, Left Hand	---	R00.01.0026.00	R00.01.0026.00	R00.01.0026.00	R00.01.0026.00	R00.01.0026.00	R00.01.0026.00
13B Glass Door, Inner, Mirror, Left Hand	---	R00.01.0034.00	R00.01.0034.00	R00.01.0034.00	R00.01.0034.00	R00.01.0034.00	R00.01.0034.00
14A Glass Door, Outer, Right Hand	---	R00.01.0025.00	R00.01.0025.00	R00.01.0025.00	R00.01.0025.00	R00.01.0025.00	R00.01.0025.00
14B Glass Door, Outer, Mirror, Right Hand	---	R00.01.0033.00	R00.01.0033.00	R00.01.0033.00	R00.01.0033.00	R00.01.0033.00	R00.01.0033.00
15 Hinge Kit	---	---	---	---	---	---	---
16 Relay	---	---	---	---	---	---	---
17 Infinite Control Switch	---	R02.19.018.00	R02.19.018.00	R02.19.019.00	R02.19.019.00	R02.19.019.00	R02.19.019.00
18 On/Off Switch	---	R02.19.016.00	R02.19.016.00	R02.19.006.00	R02.19.006.00	R02.19.008A.00	R02.19.008A.00
19 Rubber Boot, Toggle Switch	---	---	---	---	---	02.20.040.00	02.20.040.00
20 Indicator Light, Red	---	02.19.154.00	02.19.154.00	02.19.151.00	02.19.151.00	---	---
Indicator Light, Yellow	---	---	---	---	---	---	---
21 Indicator Light, Green	---	---	---	---	---	02.19.150.00	02.19.150.00
22 High Limit, Automatic	---	---	---	---	---	---	---
High Limit, Manual *	---	---	---	---	---	---	---
23 Strain Relief	---	02.20.206.00	02.20.206.00	02.20.212.00	02.20.212.00	02.20.212.00	02.20.212.00
24 Terminal Block, 3-Pole *	---	---	---	---	---	R02.15.030.00	R02.15.030.00
25 Power Cord w/ Plug	---	R02.18.030.00	R02.18.030.00	02.18.077.00	02.18.066.00	02.18.077.00	02.18.066.00
26 Heating Element, Base (Qty. 2)	---	02.05.293.00	02.05.293.00	02.05.294.00	02.05.294.00	02.05.294.00	02.05.294.00
27 Pan Rail	---	04.22.030.00	04.22.030.00	04.22.030.00	04.22.030.00	04.22.030.00	04.22.030.00
28 Rubber Foot, Pan Rail (Qty. 12)	---	05.06.039.00	05.06.039.00	05.06.039.00	05.06.039.00	05.06.039.00	05.06.039.00
29 Pan Divider (optional)	---	04.22.400.00	04.22.400.00	04.22.400.00	04.22.400.00	04.22.400.00	04.22.400.00
30 Pan Enclosure, 2 Pan (optional)	---	04.22.406.00	04.22.406.00	04.22.406.00	04.22.406.00	04.22.406.00	04.22.406.00
Pan Enclosure, 1 Pan *	---	---	---	---	---	---	---
31 Water Trough	---	---	---	---	---	---	---
32 Heating Element, Water Electrical Drawing	---	HS2-3538	HS2-3538	HS2-3542	HS2-3542	HS2-4159	HS2-4160

The shaded areas contain part information for **International models only**. * Not Shown.



PARTS SPECIFIC TO MODEL GRCD-2PD

Item	Description	100V Part Number	120V Part Number	120V CSA Part Number	220V Part Number	240V Part Number	220-230 V (CE) Part Number	230-240 V (CE) Part Number
8	Curved Glass, Front	---	R04.40.095.00	R04.40.095.00	R04.40.095.00	R04.40.095.00	R04.40.095.00	R04.40.095.00
9	End Glass (Qty. 2)	---	04.40.091.00	04.40.091.00	04.40.091.00	04.40.091.00	04.40.091.00	04.40.091.00
10	Light Bulb (Qty. 3)	---	02.30.043.00	02.30.043.00	02.30.058.00	02.30.058.00	02.30.058.00	02.30.058.00
11	Heating Element, Upper (Qty. 3)	---	R02.08.222.00	R02.08.222.00	R02.08.232.00	R02.08.232.00	R02.08.232.00	R02.08.265.00
12	Wire Guard (Qty. 6)	---	04.37.100.00	04.37.100.00	04.37.100.00	04.37.100.00	04.37.100.00	04.37.100.00
13A	Glass Door, Inner, Left Hand	---	R00.01.0030.00	R00.01.0030.00	R00.01.0030.00	R00.01.0030.00	R00.01.0030.00	R00.01.0030.00
13B	Glass Door, Inner, Mirror, Left Hand	---	R00.01.0038.00	R00.01.0038.00	R00.01.0038.00	R00.01.0038.00	R00.01.0038.00	R00.01.0038.00
14A	Glass Door, Outer, Right Hand	---	R00.01.0029.00	R00.01.0029.00	R00.01.0029.00	R00.01.0029.00	R00.01.0029.00	R00.01.0029.00
14B	Glass Door, Outer, Mirror, Right Hand	---	R00.01.0037.00	R00.01.0037.00	R00.01.0037.00	R00.01.0037.00	R00.01.0037.00	R00.01.0037.00
15	Hinge Kit	---	---	---	---	---	---	---
16	Relay	---	---	---	---	---	---	---
17	Infinite Control Switch (Qty. 2)	---	R02.19.018.00	R02.19.018.00	R02.19.019.00	R02.19.019.00	R02.19.019.00	R02.19.019.00
18	On/Off Switch	---	R02.19.016.00	R02.19.016.00	R02.19.006.00	R02.19.006.00	R02.19.006.00	R02.19.006.00
19	Rubber Boot, Toggle Switch	---	---	---	---	---	02.20.040.00	02.20.040.00
20	Indicator Light, Red	---	02.19.154.00	02.19.154.00	02.19.151.00	02.19.151.00	---	---
20	Indicator Light, Yellow	---	---	---	---	---	---	---
21	Indicator Light, Green	---	---	---	---	---	02.19.150.00	02.19.150.00
22	High Limit, Automatic	---	---	---	---	---	---	---
22	High Limit, Manual *	---	---	---	---	---	---	---
23	Strain Relief	---	02.20.206.00	02.20.212.00	02.20.206.00	02.20.206.00	02.20.212.00	02.20.212.00
24	Terminal Block, 3-Pole *	---	---	---	---	---	R02.15.030.00	R02.15.030.00
25	Power Cord w/ Plug	---	R02.18.030.00	R02.18.030.00	02.18.077.00	02.18.068.00	02.18.077.00	02.18.068.00
26	Heating Element, Base (Qty. 2)	---	02.05.293.00	02.05.293.00	02.05.294.00	02.05.294.00	02.05.294.00	02.05.294.00
27	Pan Rail	---	04.22.030.00	04.22.030.00	04.22.030.00	04.22.030.00	04.22.030.00	04.22.030.00
28	Rubber Foot, Pan Rail (Qty. 12)	---	05.06.039.00	05.06.039.00	05.06.039.00	05.06.039.00	05.06.039.00	05.06.039.00
29	Pan Divider (optional)	---	04.22.400.00	04.22.400.00	04.22.400.00	04.22.400.00	04.22.400.00	04.22.400.00
30	Pan Enclosure, 2 Pan (optional)	---	04.22.406.00	04.22.406.00	04.22.406.00	04.22.406.00	04.22.406.00	04.22.406.00
30	Pan Enclosure, 1 Pan *	---	---	---	---	---	---	---
31	Water Trough	---	---	---	---	---	---	---
32	Heating Element, Water	---	---	---	---	---	---	---
32	Electrical Drawing	---	HS2-3314	HS2-3314	HS2-3420	HS2-3422	HS2-4167	HS2-4170

The shaded areas contain part information for International models only. * Not Shown.



PARTS SPECIFIC TO MODEL GRCDH-2P

Item	Description	100V Part Number	120V Part Number	120V CSA Part Number	220V Part Number	240V Part Number	220-230 V (CE) Part Number	230-240 V (CE) Part Number
8	Curved Glass, Front	R04.40.106.00	R04.40.106.00	R04.40.106.00	R04.40.106.00	R04.40.106.00	R04.40.106.00	R04.40.106.00
9	End Glass (Qty. 2)	04.40.105.00	04.40.105.00	04.40.105.00	04.40.105.00	04.40.105.00	04.40.105.00	04.40.105.00
10	Light Bulb (Qty. 3)	02.30.043.00	02.30.043.00	02.30.043.00	02.30.058.00	02.30.058.00	02.30.058.00	02.30.058.00
11	Heating Element, Upper	R02.08.560.00	R02.08.202.00	R02.08.202.00	R02.08.250.00	R02.08.251.00	R02.08.250.00	R02.08.251.00
12	Wire Guard (Qty. 2)	04.37.100.00	04.37.100.00	04.37.100.00	04.37.100.00	04.37.100.00	04.37.100.00	04.37.100.00
13A	Glass Door, Inner, Left Hand	R00.01.0026.00	R00.01.0026.00	R00.01.0026.00	R00.01.0026.00	R00.01.0026.00	R00.01.0026.00	R00.01.0026.00
13B	Glass Door, Inner, Mirror, Left Hand	R00.01.0034.00	R00.01.0034.00	R00.01.0034.00	R00.01.0034.00	R00.01.0034.00	R00.01.0034.00	R00.01.0034.00
14A	Glass Door, Outer, Right Hand	R00.01.0025.00	R00.01.0025.00	R00.01.0025.00	R00.01.0025.00	R00.01.0025.00	R00.01.0025.00	R00.01.0025.00
14B	Glass Door, Outer, Mirror, Right Hand	R00.01.0033.00	R00.01.0033.00	R00.01.0033.00	R00.01.0033.00	R00.01.0033.00	R00.01.0033.00	R00.01.0033.00
15	Hinge Kit	----	----	----	----	----	----	----
16	Relay	02.01.088.00	02.01.088.00	02.01.088.00	02.01.080.00	02.01.105.00	02.01.080.00	02.01.105.00
17	Infinite Control Switch (Qty. 2)	R02.19.160.00	R02.19.018.00	R02.19.018.00	R02.19.019.00	R02.19.019.00	R02.19.019.00	R02.19.019.00
18	On/Off Switch	R02.19.016.00	R02.19.016.00	R02.19.016.00	R02.19.008A.00	R02.19.008A.00	R02.19.008A.00	R02.19.008A.00
19	Rubber Boot, Toggle Switch	----	----	----	----	----	02.20.040.00	02.20.040.00
20	Indicator Light, Red (Qty. 2)	02.19.154.00	02.19.154.00	02.19.154.00	02.19.151.00	02.19.151.00	----	----
	Indicator Light, Yellow	----	----	----	----	----	02.19.152.00	02.19.152.00
21	Indicator Light, Green	02.19.155.00	02.19.155.00	02.19.155.00	02.19.150.00	02.19.150.00	02.19.150.00	02.19.150.00
22	High Limit, Automatic	R02.16.036.00	R02.16.036.00	R02.16.036.00	R02.16.036.00	R02.16.036.00	R02.16.036.00	R02.16.036.00
	High Limit, Manual *	02.16.071.00	02.16.071.00	02.16.071.00	02.16.071.00	02.16.071.00	02.16.071.00	02.16.071.00
23	Strain Relief	02.20.206.00	02.20.206.00	02.20.206.00	02.20.212.00	02.20.212.00	02.20.212.00	02.20.212.00
24	Terminal Block, 3-Pole *	----	----	----	----	----	R02.15.030.00	R02.15.030.00
25	Power Cord w/ Plug	R02.18.030.00	R02.18.030.00	R02.18.030.00	02.18.077.00	02.18.066.00	02.18.077.00	02.18.066.00
26	Heating Element, Base (Qty. 2)	02.05.507.00	02.05.293.00	02.05.293.00	02.05.294.00	02.05.294.00	02.05.294.00	02.05.294.00
27	Pan Rail	----	----	----	----	----	----	----
28	Rubber Foot, Pan Rail	----	----	----	----	----	----	----
29	Pan Divider (optional)	04.22.400.00	04.22.400.00	04.22.400.00	04.22.400.00	04.22.400.00	04.22.400.00	04.22.400.00
30	Pan Enclosure, 2 Pan (optional)	04.22.406.00	04.22.406.00	04.22.406.00	04.22.406.00	04.22.406.00	04.22.406.00	04.22.406.00
	Pan Enclosure, 1 Pan *	----	----	----	----	----	----	----
31	Water Trough	04.22.403.00	04.22.403.00	04.22.403.00	04.22.403.00	04.22.403.00	04.22.403.00	04.22.403.00
32	Heating Element, Water	02.05.508.00	02.05.295.00	02.05.295.00	02.05.296.00	02.05.296.00	02.05.296.00	02.05.296.00
	Electrical Drawing	HS2-5825	HS2-3544	HS2-3544	HS2-3546	HS2-3548	HS2-4163	HS2-4164

The shaded areas contain part information for **International models only**. * Not Shown.



PARTS SPECIFIC TO MODEL GRCDH-2PD

Item Description	100V Part Number	120V Part Number	120V CSA Part Number	220V Part Number	240V Part Number	220-230 V (CE) Part Number	230-240 V (CE) Part Number
8 Curved Glass, Front	---	R04.40.095.00	R04.40.095.00	R04.40.095.00	R04.40.095.00	R04.40.095.00	R04.40.095.00
9 End Glass (Qty. 2)	---	04.40.091.00	04.40.091.00	04.40.091.00	04.40.091.00	04.40.091.00	04.40.091.00
10 Light Bulb (Qty. 6)	---	02.30.043.00	02.30.043.00	02.30.058.00	02.30.058.00	02.30.058.00	02.30.058.00
11 Heating Element, Upper (Qty. 3)	---	R02.08.222.00	R02.08.222.00	R02.08.232.00	R02.08.232.00	R02.08.232.00	R02.08.232.00
12 Wire Guard (Qty. 6)	---	04.37.100.00	04.37.100.00	04.37.100.00	04.37.100.00	04.37.100.00	04.37.100.00
13A Glass Door, Inner, Left Hand	---	R00.01.0030.00	R00.01.0030.00	R00.01.0030.00	R00.01.0030.00	R00.01.0030.00	R00.01.0030.00
13B Glass Door, Inner, Mirror, Left Hand	---	R00.01.0038.00	R00.01.0038.00	R00.01.0038.00	R00.01.0038.00	R00.01.0038.00	R00.01.0038.00
14A Glass Door, Outer, Right Hand	---	R00.01.0029.00	R00.01.0029.00	R00.01.0029.00	R00.01.0029.00	R00.01.0029.00	R00.01.0029.00
14B Glass Door, Outer, Mirror, Right Hand	---	R00.01.0037.00	R00.01.0037.00	R00.01.0037.00	R00.01.0037.00	R00.01.0037.00	R00.01.0037.00
15 Hinge Kit	---	---	---	---	---	---	---
16 Relay	---	02.01.088.00	02.01.088.00	02.01.180.00	02.01.105.00	02.01.180.00	02.01.105.00
17 Infinite Control Switch (Qty. 3)	---	R02.19.018.00	R02.19.018.00	R02.19.019.00	R02.19.019.00	R02.19.019.00	R02.19.019.00
18 On/Off Switch	---	R02.19.016.00	R02.19.016.00	R02.19.006.00	R02.19.006.00	R02.19.006.00	R02.19.006.00
19 Rubber Boot, Toggle Switch	---	---	---	---	---	02.20.040.00	02.20.040.00
20 Indicator Light, Red	---	02.19.154.00	02.19.154.00	02.19.151.00	02.19.151.00	---	---
20 Indicator Light, Yellow	---	---	---	---	---	---	---
21 Indicator Light, Green	---	02.19.155.00	02.19.155.00	02.19.150.00	02.19.150.00	02.19.150.00	02.19.150.00
22 High Limit, Automatic	---	R02.16.036.00	R02.16.036.00	R02.16.036.00	R02.16.036.00	R02.16.036.00	R02.16.036.00
22 High Limit, Manual *	---	02.16.071.00	02.16.071.00	02.16.071.00	02.16.071.00	02.16.071.00	02.16.071.00
23 Strain Relief	---	02.20.206.00	02.20.212.00	02.20.212.00	02.20.212.00	02.20.212.00	02.20.212.00
24 Terminal Block, 3-Pole *	---	---	---	---	---	R02.15.030.00	R02.15.030.00
25 Power Cord w/ Plug	---	R02.18.030.00	R02.18.083.00	02.18.077.00	02.18.068.00	02.18.077.00	02.18.068.00
26 Heating Element, Base (Qty. 2)	---	02.05.293.00	02.05.293.00	02.05.294.00	02.05.294.00	02.05.294.00	02.05.294.00
27 Pan Rail	---	---	---	---	---	---	---
28 Rubber Foot, Pan Rail (Qty. 12)	---	---	---	---	---	---	---
29 Pan Divider (optional)	---	04.22.400.00	04.22.400.00	04.22.400.00	04.22.400.00	04.22.400.00	04.22.400.00
30 Pan Enclosure, 2 Pan (optional)	---	04.22.406.00	04.22.406.00	04.22.406.00	04.22.406.00	04.22.406.00	04.22.406.00
30 Pan Enclosure, 1 Pan *	---	---	---	---	---	---	---
31 Water Trough	---	04.22.403.00	04.22.403.00	04.22.403.00	04.22.403.00	04.22.403.00	04.22.403.00
32 Heating Element, Water	---	02.05.295.00	02.05.295.00	02.05.296.00	02.05.296.00	02.05.296.00	02.05.296.00
Electrical Drawing	---	HS2-3313	HS2-3313	HS2-3419	HS2-3421	HS2-4171	HS2-4172

The shaded areas contain part information for **International models only**. * Not Shown.



PARTS SPECIFIC TO MODEL GRCD-3P

Item Description	100V Part Number	120V Part Number	120V CSA Part Number	220V Part Number	240V Part Number	220-230 V (CE) Part Number	230-240 V (CE) Part Number
8 Curved Glass, Front	---	R04.40.107.00	R04.40.107.00	R04.40.107.00	R04.40.107.00	R04.40.107.00	R04.40.107.00
9 End Glass (Qty. 2)	---	04.40.105.00	04.40.105.00	04.40.105.00	04.40.105.00	04.40.105.00	04.40.105.00
10 Light Bulb (Qty. 3)	---	02.30.043.00	02.30.043.00	02.30.058.00	02.30.058.00	02.30.058.00	02.30.058.00
11 Heating Element, Upper	---	R02.08.216.00	R02.08.216.00	R02.08.253.00	R02.08.254.00	R02.08.253.00	R02.08.254.00
12 Wire Guard (Qty. 3)	---	04.37.100.00	04.37.100.00	04.37.100.00	04.37.100.00	04.37.100.00	04.37.100.00
13A Glass Door, Inner, Left Hand	---	R00.01.0028.00	R00.01.0028.00	R00.01.0028.00	R00.01.0028.00	R00.01.0028.00	R00.01.0028.00
Glass Door, Inner, Mirror, Left Hand	---	R00.01.0036.00	R00.01.0036.00	R00.01.0036.00	R00.01.0036.00	R00.01.0036.00	R00.01.0036.00
14A Glass Door, Outer, Right Hand	---	R00.01.0027.00	R00.01.0027.00	R00.01.0027.00	R00.01.0027.00	R00.01.0027.00	R00.01.0027.00
Glass Door, Outer, Mirror, Right Hand	---	R00.01.0035.00	R00.01.0035.00	R00.01.0035.00	R00.01.0035.00	R00.01.0035.00	R00.01.0035.00
15 Hinge Kit	---	---	---	---	---	---	---
16 Relay	---	---	---	---	---	---	---
17 Infinite Control Switch	---	R02.19.018.00	R02.19.018.00	R02.19.019.00	R02.19.019.00	R02.19.019.00	R02.19.019.00
18 On/Off Switch	---	R02.19.016.00	R02.19.016.00	R02.19.006.00	R02.19.006.00	R02.19.008A.00	R02.19.008A.00
19 Rubber Boot, Toggle Switch	---	---	---	---	---	02.20.040.00	02.20.040.00
20 Indicator Light, Red	---	02.19.154.00	02.19.154.00	02.19.151.00	02.19.151.00	---	---
Indicator Light, Yellow	---	---	---	---	---	---	---
21 Indicator Light, Green	---	---	---	---	---	02.19.150.00	02.19.150.00
22 High Limit, Automatic	---	---	---	---	---	---	---
High Limit, Manual *	---	---	---	---	---	---	---
23 Strain Relief	---	02.20.206.00	02.20.206.00	02.20.212.00	02.20.212.00	02.20.212.00	02.20.212.00
24 Terminal Block, 3-Pole *	---	---	---	---	---	R02.15.030.00	R02.15.030.00
25 Power Cord w/ Plug	---	R02.18.030.00	R02.18.030.00	02.18.077.00	02.18.066.00	02.18.077.00	02.18.066.00
26 Heating Element, Base (Qty. 3)	---	02.05.293.00	02.05.293.00	02.05.294.00	02.05.294.00	02.05.294.00	02.05.294.00
27 Pan Rail	---	04.22.031.00	04.22.031.00	04.22.031.00	04.22.031.00	04.22.031.00	04.22.031.00
28 Rubber Foot, Pan Rail (Qty. 16)	---	05.06.039.00	05.06.039.00	05.06.039.00	05.06.039.00	05.06.039.00	05.06.039.00
29 Pan Divider (optional)	---	04.22.400.00	04.22.400.00	04.22.400.00	04.22.400.00	04.22.400.00	04.22.400.00
30 Pan Enclosure, 2 Pan (optional)	---	04.22.406.00	04.22.406.00	04.22.406.00	04.22.406.00	04.22.406.00	04.22.406.00
Pan Enclosure, 1 Pan *	---	04.22.407.00	04.22.407.00	04.22.407.00	04.22.407.00	04.22.407.00	04.22.407.00
31 Water Trough	---	---	---	---	---	---	---
32 Heating Element, Water	---	---	---	---	---	---	---
Electrical Drawing	---	HS2-3539	HS2-3539	HS2-3541	HS2-3543	HS2-4161	HS2-4162

The shaded areas contain part information for International models only. * Not Shown.



PARTS SPECIFIC TO MODEL GRCD-3PD

Item	Description	100V Part Number	120V Part Number	120V CSA Part Number	220V Part Number	240V Part Number	220-230 V (CE) Part Number	230-240 V (CE) Part Number
8	Curved Glass, Front	---	R04.40.096.00	R04.40.096.00	R04.40.096.00	R04.40.096.00	R04.40.096.00	R04.40.096.00
9	End Glass	---	04.40.091.00	04.40.091.00	04.40.091.00	04.40.091.00	04.40.091.00	04.40.091.00
10	Light Bulb (Qty. 6)	---	02.30.043.00	02.30.043.00	02.30.058.00	02.30.058.00	02.30.058.00	02.30.058.00
11	Heating Element, Upper (Qty. 3)	---	R02.08.217.00	R02.08.217.00	R02.08.265.00	R02.08.265.00	R02.08.265.00	R02.08.265.00
12	Wire Guard (Qty. 9)	---	04.37.100.00	04.37.100.00	04.37.100.00	04.37.100.00	04.37.100.00	04.37.100.00
13A	Glass Door, Inner, Left Hand	---	R00.01.0032.00	R00.01.0032.00	R00.01.0032.00	R00.01.0032.00	R00.01.0032.00	R00.01.0032.00
13B	Glass Door, Inner, Mirror, Left Hand	---	R00.01.0039.00	R00.01.0039.00	R00.01.0039.00	R00.01.0039.00	R00.01.0039.00	R00.01.0039.00
14A	Glass Door, Outer, Right Hand	---	R00.01.0031.00	R00.01.0031.00	R00.01.0031.00	R00.01.0031.00	R00.01.0031.00	R00.01.0031.00
14B	Glass Door, Outer, Mirror, Right Hand	---	R00.01.0040.00	R00.01.0040.00	R00.01.0040.00	R00.01.0040.00	R00.01.0040.00	R00.01.0040.00
15	Hinge Kit	---	---	---	---	---	---	---
16	Relay	---	---	---	---	---	---	---
17	Infinite Control Switch (Qty. 2)	---	R02.19.018.00	R02.19.018.00	R02.19.019.00	R02.19.019.00	R02.19.019.00	R02.19.019.00
18	On/Off Switch	---	R02.19.016.00	R02.19.016.00	R02.19.006.00	R02.19.006.00	R02.19.006.00	R02.19.006.00
19	Rubber Boot, Toggle Switch	---	---	---	---	---	02.20.040.00	02.20.040.00
20	Indicator Light, Red	---	02.19.154.00	02.19.154.00	02.19.151.00	02.19.151.00	---	---
20	Indicator Light, Yellow	---	---	---	---	---	---	---
21	Indicator Light, Green	---	---	---	---	---	02.19.150.00	02.19.150.00
22	High Limit, Automatic	---	---	---	---	---	---	---
22	High Limit, Manual *	---	---	---	---	---	---	---
23	Strain Relief	---	02.20.206.00	02.20.212.00	02.20.212.00	02.20.212.00	02.20.212.00	02.20.212.00
24	Terminal Block, 3-Pole *	---	---	---	---	---	R02.15.030.00	R02.15.030.00
25	Power Cord w/ Plug	---	R02.18.030.00	R02.18.030.00	02.18.077.00	02.18.068.00	02.18.077.00	02.18.068.00
26	Heating Element, Base (Qty. 2)	---	02.05.293.00	02.05.293.00	02.05.294.00	02.05.294.00	02.05.294.00	02.05.294.00
27	Pan Rail	---	04.22.031.00	04.22.031.00	04.22.031.00	04.22.031.00	04.22.031.00	04.22.031.00
28	Rubber Foot, Pan Rail (Qty. 16)	---	05.06.039.00	05.06.039.00	05.06.039.00	05.06.039.00	05.06.039.00	05.06.039.00
29	Pan Divider (optional)	---	04.22.400.00	04.22.400.00	04.22.400.00	04.22.400.00	04.22.400.00	04.22.400.00
30	Pan Enclosure, 2 Pan (optional)	---	04.22.406.00	04.22.406.00	04.22.406.00	04.22.406.00	04.22.406.00	04.22.406.00
30	Pan Enclosure, 1 Pan *	---	04.22.407.00	04.22.407.00	04.22.407.00	04.22.407.00	04.22.407.00	04.22.407.00
31	Water Trough	---	---	---	---	---	---	---
32	Heating Element, Water	---	---	---	---	---	---	---
	Electrical Drawing	---	HS2-3312	HS2-3312	HS2-3423	HS2-3425	HS2-4169	HS2-4170

The shaded areas contain part information for International models only. * Not Shown.



PARTS SPECIFIC TO MODEL GRCDH-3P

Item Description	100V Part Number	120V Part Number	120V CSA Part Number	220V Part Number	240V Part Number	220-230 V (CE) Part Number	230-240 V (CE) Part Number
8 Curved Glass, Front	R04.40.107.00	R04.40.107.00	R04.40.107.00	R04.40.107.00	R04.40.107.00	R04.40.107.00	R04.40.107.00
9 End Glass (Qty. 2)	04.40.105.00	04.40.105.00	04.40.105.00	04.40.105.00	04.40.105.00	04.40.105.00	04.40.105.00
10 Light Bulb (Qty. 3)	02.30.043.00	02.30.043.00	02.30.043.00	02.30.058.00	02.30.058.00	02.30.058.00	02.30.058.00
11 Heating Element, Upper	R02.08.567.00	R02.08.216.00	R02.08.216.00	R02.08.253.00	R02.08.254.00	R02.08.253.00	R02.08.254.00
12 Wire Guard (Qty. 3)	04.37.100.00	04.37.100.00	04.37.100.00	04.37.100.00	04.37.100.00	04.37.100.00	04.37.100.00
13A Glass Door, Inner, Left Hand	R00.01.0028.00	R00.01.0028.00	R00.01.0028.00	R00.01.0028.00	R00.01.0028.00	R00.01.0028.00	R00.01.0028.00
13B Glass Door, Inner, Mirror, Left Hand	R00.01.0036.00	R00.01.0036.00	R00.01.0036.00	R00.01.0036.00	R00.01.0036.00	R00.01.0036.00	R00.01.0036.00
14A Glass Door, Outer, Right Hand	R00.01.0027.00	R00.01.0027.00	R00.01.0027.00	R00.01.0027.00	R00.01.0027.00	R00.01.0027.00	R00.01.0027.00
14B Glass Door, Outer, Mirror, Right Hand	R00.01.0035.00	R00.01.0035.00	R00.01.0035.00	R00.01.0035.00	R00.01.0035.00	R00.01.0035.00	R00.01.0035.00
15 Hinge Kit	---	---	---	---	---	---	---
16 Relay	02.01.088.00	02.01.088.00	02.01.088.00	02.01.080.00	02.01.105.00	02.01.080.00	02.01.105.00
17 Infinite Control Switch (Qty. 2)	R02.19.160.00	R02.19.018.00	R02.19.018.00	R02.19.019.00	R02.19.019.00	R02.19.019.00	R02.19.019.00
18 On/Off Switch	R02.19.016.00	R02.19.016.00	R02.19.016.00	R02.19.008A.00	R02.19.008A.00	R02.19.008A.00	R02.19.008A.00
19 Rubber Boot, Toggle Switch	---	---	---	---	---	02.20.040.00	02.20.040.00
20 Indicator Light, Red (Qty. 2)	02.19.154.00	02.19.154.00	02.19.154.00	02.19.151.00	02.19.151.00	---	---
20 Indicator Light, Yellow	---	---	---	---	---	02.19.152.00	02.19.152.00
21 Indicator Light, Green	02.19.155.00	02.19.155.00	02.19.155.00	02.19.150.00	02.19.150.00	02.19.150.00	02.19.150.00
22 High Limit, Automatic	R02.16.036.00	R02.16.036.00	R02.16.036.00	R02.16.036.00	R02.16.036.00	R02.16.036.00	R02.16.036.00
22 High Limit, Manual *	02.16.071.00	02.16.071.00	02.16.071.00	02.16.071.00	02.16.071.00	02.16.071.00	02.16.071.00
23 Strain Relief	02.20.206.00	02.20.206.00	02.20.206.00	02.20.212.00	02.20.212.00	02.20.212.00	02.20.212.00
24 Terminal Block, 3-Pole *	---	---	---	---	---	R02.15.030.00	R02.15.030.00
25 Power Cord w/ Plug	R02.18.030.00	R02.18.030.00	R02.18.030.00	02.18.077.00	02.18.066.00	02.18.077.00	02.18.066.00
26 Heating Element, Base (Qty. 3)	02.05.507.00	02.05.293.00	02.05.293.00	02.05.294.00	02.05.294.00	02.05.294.00	02.05.294.00
27 Pan Rail	---	---	---	---	---	---	---
28 Rubber Foot, Pan Rail	---	---	---	---	---	---	---
29 Pan Divider (optional)	04.22.400.00	04.22.400.00	04.22.400.00	04.22.400.00	04.22.400.00	04.22.400.00	04.22.400.00
30 Pan Enclosure, 2 Pan (optional)	04.22.406.00	04.22.406.00	04.22.406.00	04.22.406.00	04.22.406.00	04.22.406.00	04.22.406.00
30 Pan Enclosure, 1 Pan *	04.22.407.00	04.22.407.00	04.22.407.00	04.22.407.00	04.22.407.00	04.22.407.00	04.22.407.00
31 Water Trough	04.22.403.00	04.22.403.00	04.22.403.00	04.22.403.00	04.22.403.00	04.22.403.00	04.22.403.00
32 Heating Element, Water	02.05.508.00	02.05.295.00	02.05.295.00	02.05.296.00	02.05.296.00	02.05.296.00	02.05.296.00
Electrical Drawing	HS2-5850	HS2-3545	HS2-3545	HS2-3547	HS2-3549	HS2-4165	HS2-4166

The shaded areas contain part information for **International models only**. * Not Shown.



PARTS SPECIFIC TO MODEL GRCDH-3PD

Item	Description	100V Part Number	120V Part Number	120V CSA Part Number	220V Part Number	240V Part Number	220-230 V (CE) Part Number	230-240 V (CE) Part Number
8	Curved Glass, Front	---	R04.40.096.00	R04.40.096.00	R04.40.096.00	R04.40.096.00	R04.40.096.00	R04.40.096.00
9	End Glass	---	04.40.091.00	04.40.091.00	04.40.091.00	04.40.091.00	04.40.091.00	04.40.091.00
10	Light Bulb (Qty. 6)	---	02.30.043.00	02.30.043.00	02.30.058.00	02.30.058.00	02.30.058.00	02.30.058.00
11	Heating Element, Upper (Qty. 3)	---	R02.08.217.00	R02.08.217.00	R02.08.265.00	R02.08.265.00	R02.08.265.00	R02.08.265.00
12	Wire Guard (Qty. 9)	---	04.37.100.00	04.37.100.00	04.37.100.00	04.37.100.00	04.37.100.00	04.37.100.00
13A	Glass Door, Inner, Left Hand	---	R00.01.0032.00	R00.01.0032.00	R00.01.0032.00	R00.01.0032.00	R00.01.0032.00	R00.01.0032.00
13B	Glass Door, Inner, Mirror, Left Hand	---	R00.01.0039.00	R00.01.0039.00	R00.01.0039.00	R00.01.0039.00	R00.01.0039.00	R00.01.0039.00
14A	Glass Door, Outer, Right Hand	---	R00.01.0031.00	R00.01.0031.00	R00.01.0031.00	R00.01.0031.00	R00.01.0031.00	R00.01.0031.00
14B	Glass Door, Outer, Mirror, Right Hand	---	R00.01.0040.00	R00.01.0040.00	R00.01.0040.00	R00.01.0040.00	R00.01.0040.00	R00.01.0040.00
15	Hinge Kit	---	---	---	---	---	---	---
16	Relay	---	02.01.088.00	02.01.088.00	02.01.180.00	02.01.105.00	02.01.180.00	02.01.105.00
17	Infinite Control Switch (Qty. 3)	---	R02.19.018.00	R02.19.018.00	R02.19.019.00	R02.19.019.00	R02.19.019.00	R02.19.019.00
18	On/Off Switch	---	R02.19.016.00	R02.19.016.00	R02.19.006.00	R02.19.006.00	R02.19.006.00	R02.19.006.00
19	Rubber Boot, Toggle Switch	---	---	---	---	---	02.20.040.00	02.20.040.00
20	Indicator Light, Red	---	02.19.154.00	02.19.154.00	02.19.151.00	02.19.151.00	---	---
	Indicator Light, Yellow	---	---	---	---	---	---	---
21	Indicator Light, Green	---	02.19.155.00	02.19.155.00	02.19.150.00	02.19.150.00	02.19.150.00	02.19.150.00
22	High Limit, Automatic	---	R02.16.036.00	R02.16.036.00	R02.16.036.00	R02.16.036.00	R02.16.036.00	R02.16.036.00
	High Limit, Manual *	---	02.16.071.00	02.16.071.00	02.16.071.00	02.16.071.00	02.16.071.00	02.16.071.00
23	Strain Relief	---	02.20.212.00	02.20.209.00	02.20.212.00	02.20.212.00	02.20.212.00	02.20.212.00
24	Terminal Block, 3-Pole *	---	---	---	---	---	R02.15.030.00	R02.15.030.00
25	Power Cord w/ Plug	---	R02.18.083.00	R02.18.039.00	02.18.077.00	02.18.068.00	02.18.077.00	02.18.068.00
26	Heating Element, Base (Qty. 3)	---	02.05.293.00	02.05.293.00	02.05.294.00	02.05.294.00	02.05.294.00	02.05.294.00
27	Pan Rail	---	---	---	---	---	---	---
28	Rubber Foot, Pan Rail (Qty. 16)	---	---	---	---	---	---	---
29	Pan Divider (optional)	---	04.22.400.00	04.22.400.00	04.22.400.00	04.22.400.00	04.22.400.00	04.22.400.00
30	Pan Enclosure, 2 Pan (optional)	---	04.22.406.00	04.22.406.00	04.22.406.00	04.22.406.00	04.22.406.00	04.22.406.00
	Pan Enclosure, 1 Pan *	---	04.22.407.00	04.22.407.00	04.22.407.00	04.22.407.00	04.22.407.00	04.22.407.00
31	Water Trough	---	04.22.403.00	04.22.403.00	04.22.403.00	04.22.403.00	04.22.403.00	04.22.403.00
32	Heating Element, Water Electrical Drawing	---	02.05.295.00	02.05.295.00	02.05.296.00	02.05.296.00	02.05.296.00	02.05.296.00
		---	HS2-3311	HS2-3311	HS2-3424	HS2-3426	HS2-4173	HS2-4174

The shaded areas contain part information for **International models only**. * Not Shown.



HATCO AUTHORIZED PARTS DISTRIBUTORS

ALABAMA

Jones McLeod Appl. Svc.
Birmingham 205-251-0159

ARIZONA

Service Solutions Group
Phoenix 602-234-2443

Byassee Equipment Co.
Phoenix 602-252-0402

CALIFORNIA

Industrial Electric
Commercial Parts & Service, Inc.
Huntington Beach 714-379-7100

Chapman Appl. Service
San Diego 619-298-7106

P & D Appliance
Commercial Parts & Service, Inc.
S. San Francisco 650-635-1900

COLORADO

Hawkins Commercial Appliance
Englewood 303-781-5548

FLORIDA

Whaley Foodservice Repair
Jacksonville 904-725-7800

3Wire Nass Service Co., Inc.
Orlando 407-425-2681

B.G.S.I.
Pompano Beach 954-971-0456

Comm. Appliance Service
Tampa 813-663-0313

GEORGIA

TWC Services
Mableton 770-438-9797

Heritage Service Group
Norcross 866-388-9837

Southeastern Rest. Svc.
Norcross 770-446-6177

HAWAII

Burney's Comm. Service, Inc.
Honolulu 808-848-1466

Food Equip Parts & Service
Honolulu 808-847-4871

ILLINOIS

Parts Town
Lombard 708-865-7278

Eichenauer Elec. Service
Decatur 217-429-4229

Midwest Elec. Appl. Service
Elmhurst 630-279-8000

Cone's Repair Service
Moline 309-797-5323

INDIANA

GCS Service
Indianapolis 317-545-9655

IOWA

Electric Motor Service Co.
Davenport 319-323-1823

Goodwin Tucker Group
Des Moines 515-262-9308

KENTUCKY

Service Solutions Group
Lexington 859-254-8854

Service Solutions Group
Louisville 502-451-5411

LOUISIANA

Chandlers Parts & Service
Baton Rouge 225-272-6620

MARYLAND

Electric Motor Service
Baltimore 410-467-8080

GCS Service
Silver Spring 301-585-7550

MASSACHUSETTS

Ace Service Co., Inc.
Needham 781-449-4220

MICHIGAN

Bildons Appliance Service
Detroit 248-478-3320

Commercial Kitchen Service
Bay City 517-893-4561

Midwest Food Equip. Service
Grandville 616-261-2000

MINNESOTA

GCS Service
Plymouth 800-345-4221

MISSOURI

General Parts
Kansas City 816-421-5400

Commercial Kitchen Services
St. Louis 314-890-0700

Kaemmerlen Parts & Service
St. Louis 314-535-2222

NEBRASKA

Anderson Electric
Omaha 402-341-1414

NEVADA

Burney's Commercial
Las Vegas 702-736-0006

Hi. Tech Commercial Service
N. Las Vegas 702-649-4616

NEW JERSEY

Jay Hill Repair
Fairfield 973-575-9145

Service Plus
Flanders 973-691-6300

NEW YORK

Acme American Repairs, Inc.
Brooklyn 718-456-6544

Alpro Service Co.
Brooklyn 718-386-2515

Appliance Installation
Buffalo 716-884-7425

Duffy's Equipment Services, Inc.
Buffalo 800-836-1014

3Wire Northern
Plattsburgh 800-634-5005

Duffy's Equipment Services, Inc.
Sauquoit 800-836-1014

J.B. Brady, Inc.
Syracuse 315-422-9271

NORTH CAROLINA

Authorized Appliance
Charlotte 704-377-4501

OHIO

Akron/Canton Comm. Svc. Inc.
Akron 330-753-6635

Service Solutions Group
Cincinnati 513-772-6600

Commercial Parts and Service
Columbus 614-221-0057

Electrical Appl. Repair Service
Brooklyn Heights 216-459-8700

E. A. Wichman Co.
Toledo 419-385-9121

OKLAHOMA

Hagar Rest. Service, Inc.
Oklahoma City 405-235-2184

Krueger, Inc.
Oklahoma City 405-528-8883

OREGON

Ron's Service, Inc.
Portland 503-624-0890

PENNSYLVANIA

Elmer Schultz Services
Philadelphia 215-627-5401

FAST Comm. Appl. Service
Philadelphia 215-288-4800

Appliance Installation & Service
Pittsburgh 412-809-0244

K & D Service Co.
Harrisburg 717-236-9039

Electric Repair Co.
Reading 610-376-5444

RHODE ISLAND

Marshall Electric Co.
Providence 401-331-1163

SOUTH CAROLINA

Whaley Foodservice Repair
W. Columbia 803-791-4420

TENNESSEE

Camp Electric
Memphis 901-527-7543

TEXAS

GCS Service
Fort Worth 800-433-1804

Armstrong Repair Service
Houston 713-666-7100

Cooking Equipment Specialist
Mesquite 888-866-9276

Refrigerated Specialist, Inc.
Mesquite 888-866-9276

Commercial Kitchen Repair Co.
San Antonio 210-735-2811

UTAH

La Monica's Rest. Equip. Service
Murray 801-263-3221

VIRGINIA

Daubers
Norfolk 757-855-4097

Daubers
Springfield 703-866-3600

WASHINGTON

3Wire Restaurant Appliance
Seattle 800-207-3146

WISCONSIN

A.S.C., Inc.
Madison 608-246-3160

A.S.C., Inc.
Milwaukee 414-543-6460

CANADA

ALBERTA

Key Food Equipment Service
Edmonton 780-438-1690

BRITISH COLUMBIA

Key Food Equipment Service
Vancouver 604-433-4484

Key Food Equipment Service
Victoria 250-920-4888

MANITOBA

Air Rite, Inc.
Winnipeg 204-895-2300

NEW BRUNSWICK

EMR Services, Ltd.
Moncton 506-855-4228

ONTARIO

R.G. Henderson Ltd.
Toronto 416-422-5580

Choquette - CKS, Inc.
Ottawa 613-739-8458

QUÉBEC

Choquette - CKS, Inc.
Montreal 514-722-2000

Choquette - CKS, Inc.
Québec City 418-681-3944

UNITED KINGDOM

Marren Group
Northants +44(0)1933 665313

HATCO CORPORATION
P.O. Box 340500
Milwaukee, WI 53234-0500 U.S.A.
800-558-0607 414-671-6350
Parts and Service Fax 800-690-2966
International Fax 414-671-3976
partsandservice@hatcocorp.com
www.hatcocorp.com