

hatcocorp.com

Register Online!
(see page 2)

S'inscrire en ligne!
(voir page 17)



Glo-Ray®

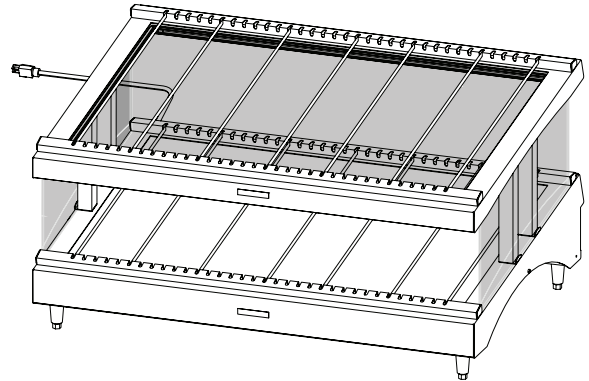
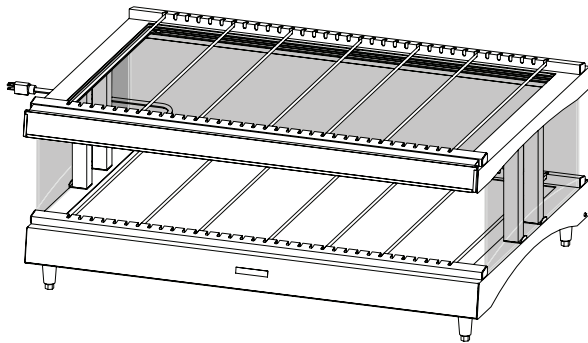
Heated Glass Merchandisers

Vitrines chauffantes

GR3SDH and GR3SDS Series/Série

Installation and Operating Manual

Manuel d'installation et d'utilisation



⚠ WARNING

Do not operate this equipment unless you have read and understood the contents of this manual! Failure to follow the instructions contained in this manual may result in serious injury or death. This manual contains important safety information concerning the maintenance, use, and operation of this product. If you're unable to understand the contents of this manual, please bring it to the attention of your supervisor. Keep this manual in a safe location for future reference.

English = p 2

⚠ ADVERTENCIA

No opere este equipo al menos que haya leído y comprendido el contenido de este manual! Cualquier falla en el seguimiento de las instrucciones contenidas en este manual puede resultar en un serio lesión o muerte. Este manual contiene importante información sobre seguridad concerniente al mantenimiento, uso y operación de este producto. Si usted no puede entender el contenido de este manual por favor pregunte a su supervisor. Almacenar este manual en una localización segura para la referencia futura.

⚠ AVERTISSEMENT

Ne pas utiliser cet équipement sans avoir lu et compris le contenu de ce manuel ! Le non-respect des instructions contenues dans ce manuel peut entraîner de graves blessures ou la mort. Ce manuel contient des informations importantes concernant l'entretien, l'utilisation et le fonctionnement de ce produit. Si vous ne comprenez pas le contenu de ce manuel, veuillez le signaler à votre supérieur. Conservez ce manuel dans un endroit sûr pour pouvoir vous y référer plus tard.

Français = p 17

Important Owner Information..... 2
Introduction..... 2
Important Safety Information 3
Model Description 4
 All Models 4
 GR3SDH Models 4
 GR3SDS Models 4
Model Designation 4
Specifications 5
 Plug Configurations 5
 Electrical Rating Charts 5
 Dimensions 7
Installation..... 9
 General 9

Operation..... 10
 General 10
 Control Panel 10
 Operating the Unit 10
Maintenance..... 11
 General 11
 Daily Cleaning 11
 Ground Fault Circuit Interrupters 11
 Removing Optional Flip-Up Doors 12
Troubleshooting Guide 13
Options and Accessories 14
Limited Warranty 16
Authorized Parts Distributors Back Cover

IMPORTANT OWNER INFORMATION

Record the model number, serial number, voltage, and purchase date of the unit in the spaces below (specification label located on the rear of the unit). Please have this information available when calling Hatco for service assistance.

Model No. _____

Serial No. _____

Voltage _____

Date of Purchase _____

Business Hours: 7:00 AM to 5:00 PM Monday–Friday, Central Time (CT)
(Summer Hours: June to September—
7:00 AM to 5:00 PM Monday–Thursday
7:00 AM to 4:00 PM Friday)

Telephone: 800-558-0607; 414-671-6350

E-mail: support@hatcocorp.com



24 Hour 7 Day Parts and Service Assistance available in the United States and Canada by calling 800-558-0607.

Register your unit!

Completing online warranty registration will prevent delay in obtaining warranty coverage. Access the Hatco website at www.hatcocorp.com, select the *Support* pull-down menu, and click on “Warranty”.

Additional information can be found by visiting our web site at www.hatcocorp.com.

INTRODUCTION

The Hatco Glo-Ray® Heated Glass Merchandising Warmers, GR3SDH (Horizontal Shelf) and GR3SDS (Slant Shelf) are perfect for holding hot wrapped or boxed foods on a buffet line or customer serving points. A thermostatically controlled, hardcoated heated base and unique patented heated glass shelf hold hot wrapped or boxed food products and keep them at optimum serving temperatures while maintaining product quality.

These warmers offer an additional heated shelf on the top, ideal for use of short term holding of food for which serving temperature is not critical. The Glo-Ray Heated Glass Merchandising Warmers are guaranteed against breakage and burnout for one year. These units also feature LED display lights along with a cord and plug set.

Hatco Glo-Ray Heated Glass Merchandising Warmers are products of extensive research and field testing. The materials used were selected for maximum durability, attractive appearance, and optimum performance. Every unit is inspected and tested thoroughly prior to shipment.

This manual provides the installation, safety, and operating instructions for Heated Glass Merchandising Warmers. Hatco recommends all installation, operating, and safety instructions appearing in this manual be read prior to installation or operation of the unit.

Safety information that appears in this manual is identified by the following signal word panels:



WARNING indicates a hazardous situation which, if not avoided, could result in death or serious injury.



CAUTION indicates a hazardous situation which, if not avoided, could result in minor or moderate injury.



NOTICE is used to address practices not related to personal injury.



Read the following important safety information before using this equipment to avoid serious injury or death and to avoid damage to equipment or property.

WARNING

ELECTRIC SHOCK HAZARD:

- Plug unit into a properly grounded electrical receptacle of the correct voltage, size, and plug configuration. If plug and receptacle do not match, contact a qualified electrician to determine and install proper voltage and size electrical receptacle.
- Turn OFF power switch, unplug power cord, and allow unit to cool before performing any cleaning, setup, or maintenance.
- Units with two power cords must have both power supply cords disconnected before performing any cleaning, adjustments, or maintenance.
- DO NOT submerge or saturate with water. Unit is not waterproof. Do not operate if unit has been submerged or saturated with water.
- Unit is not weatherproof. Locate unit indoors where ambient air temperature is a minimum of 70°F (21°C).
- Do not steam clean or use excessive water on unit.
- This unit is not “jet-proof” construction. Do not use jet-clean spray to clean this unit.
- Do not clean unit when it is energized or hot.
- Do not pull unit by power cord.
- Discontinue use if power cord is frayed or worn.
- Do not attempt to repair or replace a damaged power cord. Cord must be replaced by Hatco, an Authorized Hatco Service Agent, or a person with similar qualifications.
- This unit must be serviced by qualified personnel only. Service by unqualified personnel may lead to electric shock or burn.
- Use only Genuine Hatco Replacement Parts when service is required. Failure to use Genuine Hatco Replacement Parts will void all warranties and may subject operators of the equipment to hazardous electrical voltage, resulting in electrical shock or burn. Genuine Hatco Replacement Parts are specified to operate safely in the environments in which they are used. Some aftermarket or generic replacement parts do not have the characteristics that will allow them to operate safely in Hatco equipment.

FIRE HAZARD: Install unit with a minimum of 3” (76 mm) of space from rear of unit to a back wall. If safe distances are not maintained, discoloration or combustion could occur.

Make sure food product has been heated to the proper food-safe temperature before placing in unit. Failure to heat food product properly may result in serious health risks. This unit is for holding pre-heated food product only.

Do not place food product directly onto hardcoat surface. Food product must be wrapped, boxed, or on a food pan.

Make sure all operators have been instructed on the safe and proper use of the unit.

This unit is not intended for use by children or persons with reduced physical, sensory, or mental capabilities. Ensure proper supervision of children and keep them away from the unit.

WARNING

This unit has no “user-serviceable” parts. If service is required on this unit, contact an Authorized Hatco Service Agent or contact the Hatco Service Department at 800-558-0607 or 414-671-6350.

CAUTION

BURN HAZARD: Some exterior surfaces on unit will get hot. Use caution when touching these areas.

Locate unit at proper counter height in an area that is convenient for use. Location should be level to prevent unit or its contents from falling accidentally and strong enough to support the weight of the unit and contents.

The National Sanitation Foundation (NSF) requires that units over 36” (914 mm) in width or weighing more than 80 lbs. (36 kg) either be sealed to or raised above the installation surface. If this unit cannot be sealed at the point of use, 2-1/2” (64 mm) legs are included to allow for proper cleaning access below the unit.

Do not move or relocate unit for cleaning. Unit is bulky and heavy.

NOTICE

Do not lay unit on front or back side. Damage to unit could occur.

Use non-abrasive cleaners and cloths only. Abrasive cleaners and cloths could scratch finish of unit, marring its appearance and making it susceptible to soil accumulation.

IMPORTANT—DO NOT use paper towel or glass cleaner to clean plastic surfaces such as sneeze guards and flip-up doors. Paper towel and glass cleaner may scratch the material. Wipe off plastic surfaces using a soft, clean, water-dampened cloth.

Do not use food pans, ceramic dishes, or abrasive materials on heated glass shelf. Scratching of the glass surface may occur, marring its appearance and making it susceptible to soil accumulation. Damage to glass surface or breakage of glass caused by misuse is not covered under warranty.

Do not slide pans across hardcoat surface, use rough-bottomed pans, or drop anything on hardcoat surface. Scratching may occur. Damage to hardcoat surface caused by misuse is not covered under warranty.

Do not allow the glass shelf to overheat. Overheating may cause the food containers to melt or soften.

Do not locate unit in area with excessive air movement around unit. Avoid areas that may be subject to active air movements or currents (i.e., near exhaust fans/hoods, air conditioning ducts, and exterior doors).

Clean unit daily to avoid malfunctions and maintain sanitary operation.

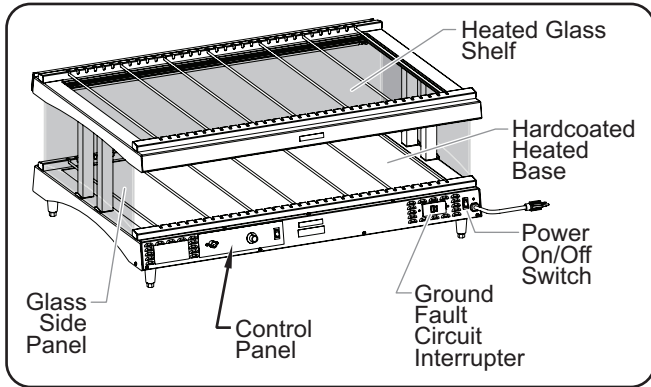
All Models

All GR3SD Models feature a thermostatically controlled hardcoated heated base and glass dual heat source which conducts heat upward to keep the food on the glass shelf warm, and radiates heat downward to blanket the product below. Units also include tempered glass side panels, product divider rods, LED display lights, and a cord and plug set.

GR3SDH Models

The GR3SDH Models are horizontal shelf warmers designed to hold hot wrapped or boxed food product.

These models are available in widths of 27-1/4", 33-1/4", and 39-1/4" (692, 845, and 997 mm) and are available with a single or dual heated glass shelf.

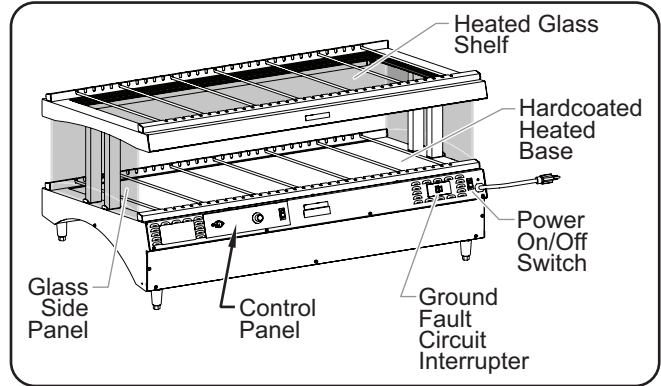


GR3SDH Models

GR3SDS Models

The GR3SDS Models are slant shelf warmers designed to hold hot wrapped or boxed food product. The shelves are slanted for convenience of self-serve.

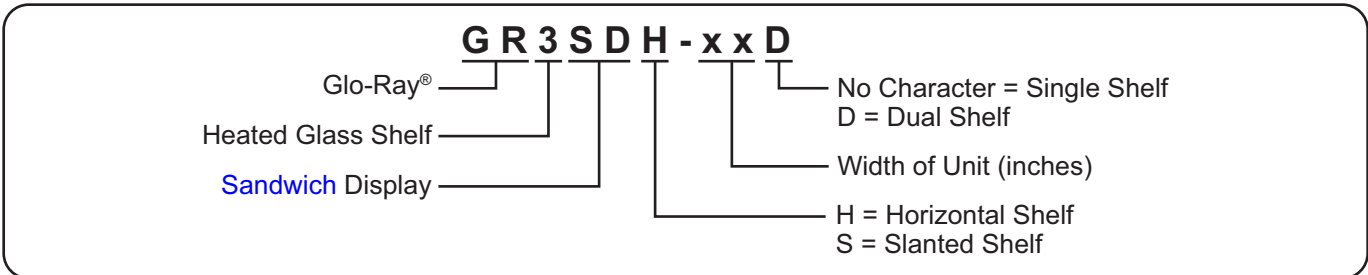
These models are available in widths of 27-1/4", 33-1/4", and 39-1/4" (692, 845, and 997 mm) and are available with a single or dual heated glass shelf.



GR3SDS Models

NOTE: Sneeze guards and flip-up doors are available for all units. Refer to the OPTIONS AND ACCESSORIES section in this manual for details.

MODEL DESIGNATION



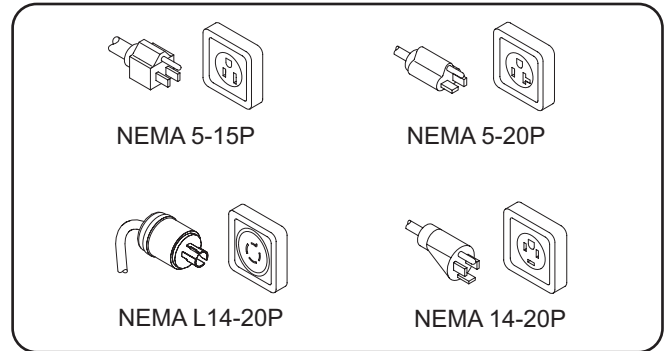
Plug Configurations

Units are equipped with an electrical cord and plug appropriate for the electrical rating of the unit and must be connected to a dedicated circuit.

⚠ WARNING

ELECTRIC SHOCK HAZARD: Plug unit into a properly grounded electrical receptacle of the correct voltage, size, and plug configuration. If plug and receptacle do not match, contact a qualified electrician to determine and install proper voltage and size electrical receptacle.

NOTE: The specification label is located on the rear of the unit. See the label for the serial number and verification of unit electrical information.



Plug Configurations

NOTE: Receptacle not supplied by Hatco.

Electrical Rating Chart — GR3SDH-xx Models (Horizontal Single Shelf)

Model	Voltage	Watts	Amps	Plug Configuration	Shipping Weight
GR3SDH-27	120	997	8.3	NEMA 5-15P	108 lbs. (50 kg.)
GR3SDH-33	120	1251	10.4	NEMA 5-15P	120 lbs. (55 kg.)
GR3SDH-39	120	1505	12.5	NEMA 5-15P †	133 lbs. (60 kg.)

Electrical Rating Chart — GR3SDH-xxD Models (Horizontal Dual Shelf)

Model	Voltage	Watts	Amps	Plug Configuration	Shipping Weight
GR3SDH-27D	120	1769	14.7	NEMA 5-15P †	147 lbs. (67 kg.)
GR3SDH-33D	120/208–240	2227	10.3	NEMA L14-20P •	166 lbs. (75 kg.)
GR3SDH-39D	120/208–240	2685	12.3	NEMA L14-20P •	194 lbs. (88 kg.)

† NEMA 5-20P for Canada.

• NEMA 14-20P is optional.

Electrical Rating Chart — GR3SDS-xx Models (Slanted Single Shelf)

Model	Voltage	Watts	Amps	Plug Configuration	Shipping Weight
GR3SDS-27	120	997	8.3	NEMA 5-15P	115 lbs. (52 kg.)
GR3SDS-33	120	1251	10.4	NEMA 5-15P	127 lbs. (58 kg.)
GR3SDS-39	120	1505	12.5	NEMA 5-15P †	156 lbs. (71 kg.)

Electrical Rating Chart — GR3SDS-xxD Models (Slanted Dual Shelf)

Model	Voltage	Watts	Amps	Plug Configuration	Shipping Weight
GR3SDS-27D	120	1769	14.7	NEMA 5-15P †	164 lbs. (75 kg.)
GR3SDS-33D	120	1272/955	10.6/8.0	NEMA 5-15P *	190 lbs. (86 kg.)
	120/208–240	2227	10.3	NEMA L14-20P •	
GR3SDS-39D	120/208–240	2685	12.3	NEMA L14-20P •	206 lbs. (94 kg.)

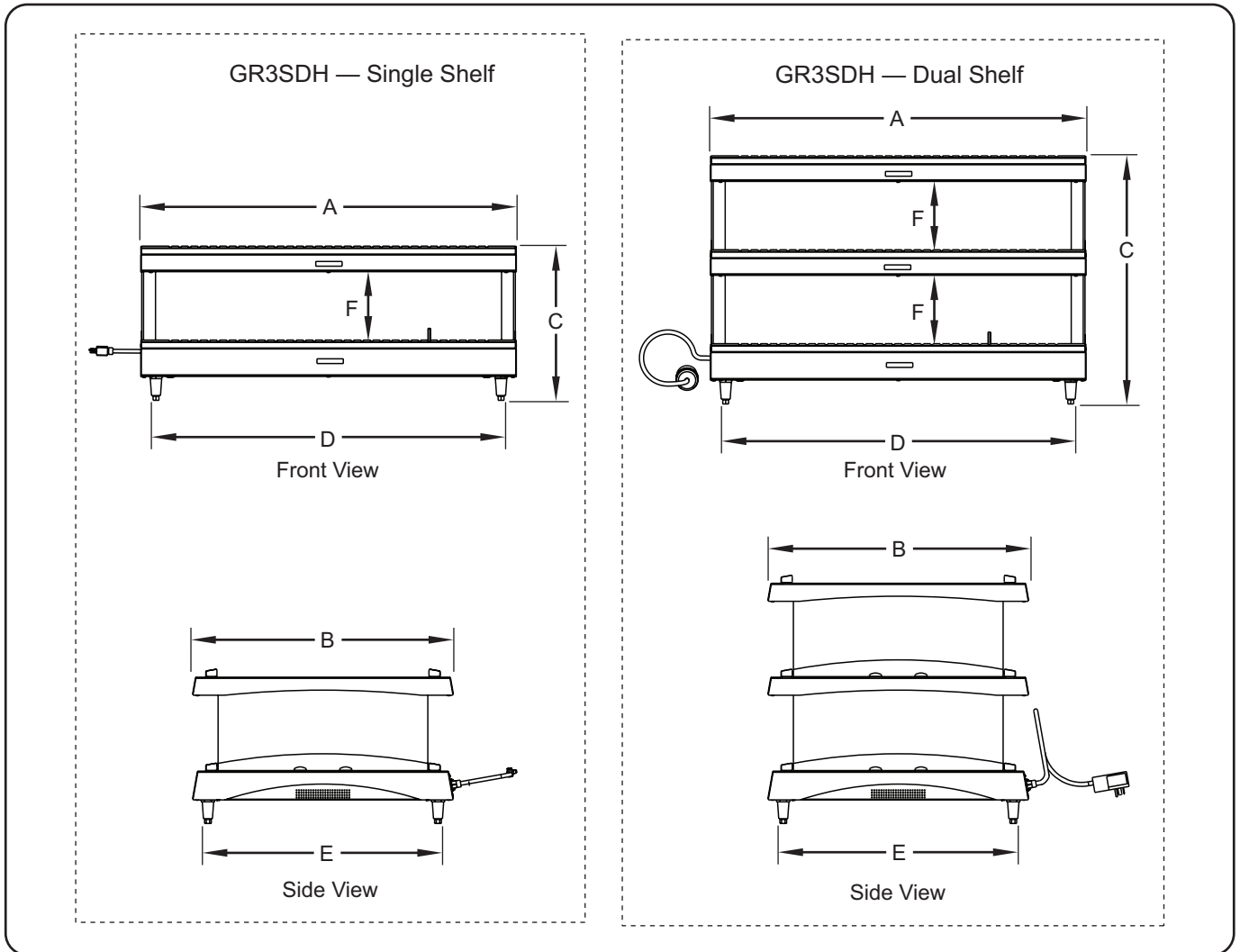
† NEMA 5-20P for Canada.

• NEMA 14-20P is optional.

* Unit is equipped with two cord and plug sets, requiring two separate 120 V, 15 A power circuits (not available for Canada).

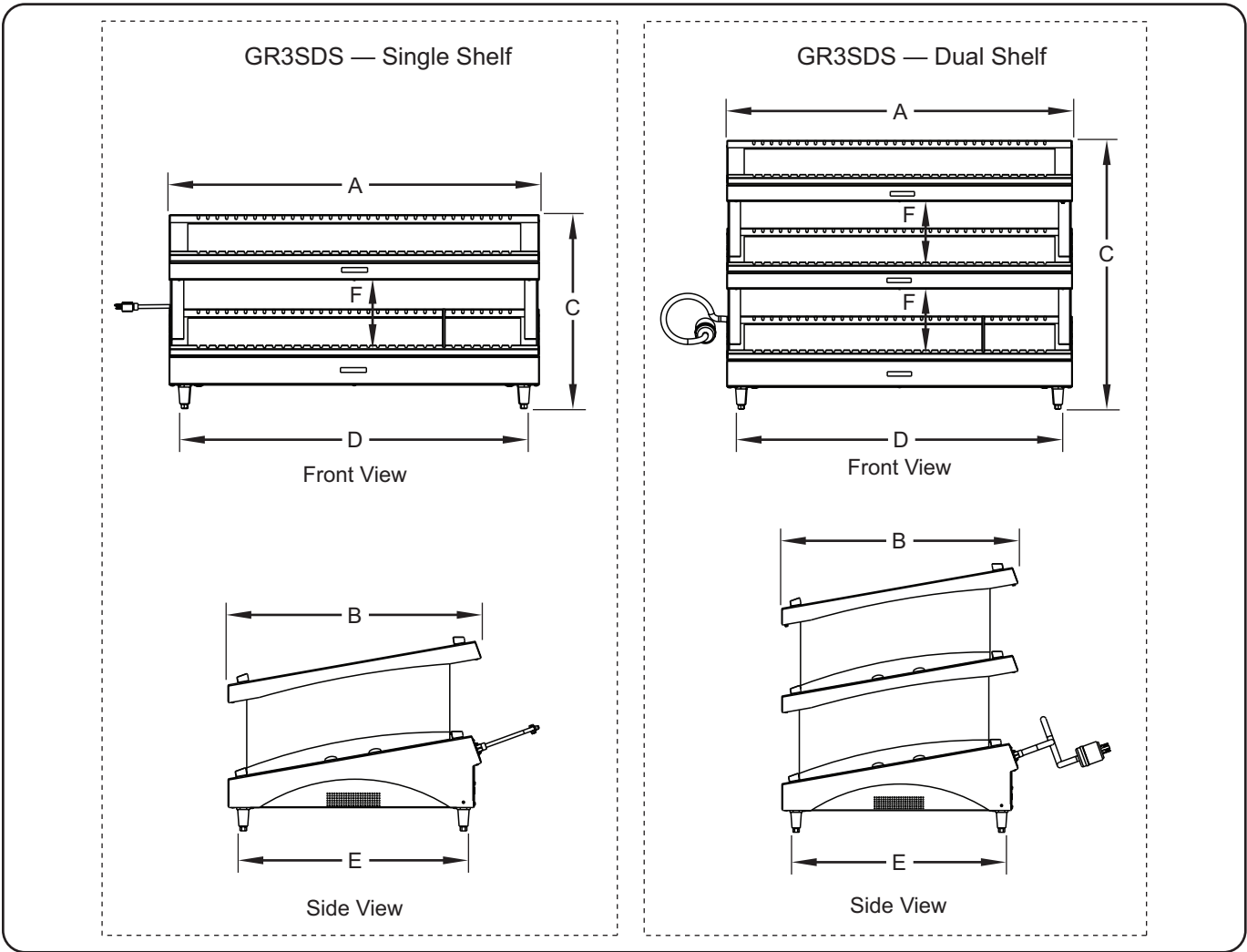
Dimensions — GR3SDH Models

Model	Width (A)	Depth (B)	Height (C)	Footprint Width (D)	Footprint Depth (E)	Shelf Height (F)
GR3SDH-27	27-1/4" (692 mm)	27-1/4" (692 mm)	16-1/8" (410 mm)	25" (635 mm)	25" (635 mm)	7-1/4" (184 mm)
GR3SDH-33	33-1/4" (845 mm)	27-1/4" (692 mm)	16-1/8" (410 mm)	31" (787 mm)	25" (635 mm)	7-1/4" (184 mm)
GR3SDH-39	39-1/4" (997 mm)	27-1/4" (692 mm)	16-1/8" (410 mm)	37" (940 mm)	25" (635 mm)	7-1/4" (184 mm)
GR3SDH-27D	27-1/4" (692 mm)	27-1/4" (692 mm)	25-7/8" (657 mm)	25" (635 mm)	25" (635 mm)	7-1/4" (184 mm)
GR3SDH-33D	33-1/4" (845 mm)	27-1/4" (692 mm)	25-7/8" (657 mm)	31" (787 mm)	25" (635 mm)	7-1/4" (184 mm)
GR3SDH-39D	39-1/4" (997 mm)	27-1/4" (692 mm)	25-7/8" (657 mm)	37" (940 mm)	25" (635 mm)	7-1/4" (184 mm)



Dimensions — GR3SDS Models

Model	Width (A)	Depth (B)	Height (C)	Footprint Width (D)	Footprint Depth (E)	Shelf Height (F)
GR3SDS-27	27-1/4" (692 mm)	26-7/8" (683 mm)	20-1/2" (521 mm)	25" (635 mm)	24-1/4" (616 mm)	7-1/4" (184 mm)
GR3SDS-33	33-1/4" (845 mm)	26-7/8" (683 mm)	20-1/2" (521 mm)	31" (787 mm)	24-1/4" (616 mm)	7-1/4" (184 mm)
GR3SDS-39	39-1/4" (997 mm)	26-7/8" (683 mm)	20-1/2" (521 mm)	37" (940 mm)	24-1/4" (616 mm)	7-1/4" (184 mm)
GR3SDS-27D	27-1/4" (692 mm)	26-7/8" (683 mm)	30-1/2" (775 mm)	25" (635 mm)	24-1/4" (616 mm)	7-1/4" (184 mm)
GR3SDS-33D	33-1/4" (845 mm)	26-7/8" (683 mm)	30-1/2" (775 mm)	31" (787 mm)	24-1/4" (616 mm)	7-1/4" (184 mm)
GR3SDS-39D	39-1/4" (997 mm)	26-7/8" (683 mm)	30-1/2" (775 mm)	37" (940 mm)	24-1/4" (616 mm)	7-1/4" (184 mm)



General

Glo-Ray® Heated Glass Merchandisers are shipped with most components pre-assembled. Care should be taken when unpacking shipping carton to avoid damage to the unit and components enclosed.

⚠ WARNING

ELECTRIC SHOCK HAZARD: Unit is not weatherproof. Locate unit indoors where ambient air temperature is a minimum of 70°F (21°C).

FIRE HAZARD: Install unit with a minimum of 3" (76 mm) of space from rear of unit to a back wall. If safe distances are not maintained, discoloration or combustion could occur.

⚠ CAUTION

Locate unit at proper counter height in an area that is convenient for use. Location should be level to prevent unit or its contents from falling accidentally and strong enough to support the weight of the unit and contents.

NOTICE

Do not lay unit on front or back side. Damage to unit could occur.

NOTE: Due to the size and weight of Heated Glass Merchandisers, installation of a unit will require two or more people.

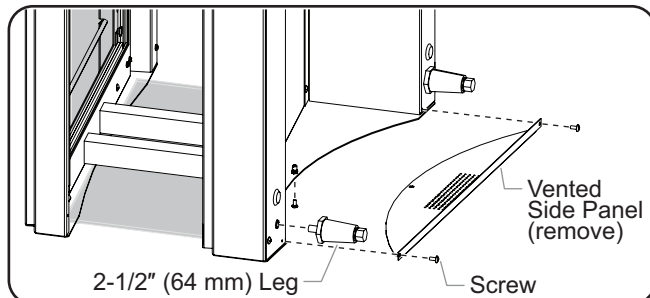
1. Remove the unit from the carton.

NOTE: To prevent delay in obtaining warranty coverage, complete online warranty registration. See the IMPORTANT OWNER INFORMATION section for details.

2. Remove tape and protective packaging from all surfaces of the unit.
3. If installing 2-1/2" (64 mm) or 4" (102 mm) legs, follow the procedure below. If installing a countertop mounted unit, continue to the next step.
 - a. Remove all channel dividers and product divider rods.

NOTE: The side glass panels are shipped loose. Make sure they are not installed before tipping unit.

- b. Carefully lay unit on its side and remove the four rubber shipping feet, if installed.
- c. Screw the 2-1/2" (64 mm) or 4" (102 mm) legs into the same holes where the four rubber shipping feet were removed.
- d. Remove the two venting panels on both sides of the unit by removing the four screws.
- e. Return unit to the upright position.



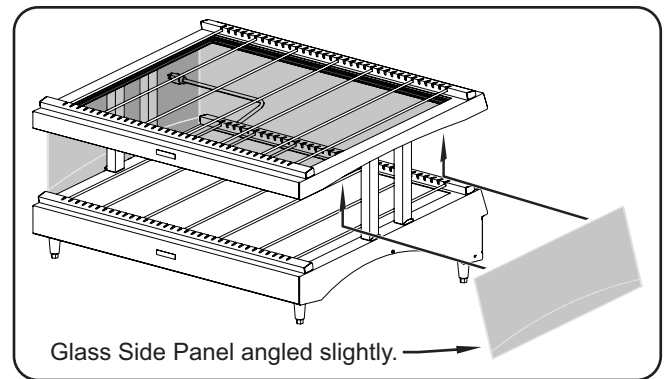
Installing the Legs

4. Place the unit in the desired location.

- Locate the unit in an area where the ambient air temperature is constant and a minimum of 70° F (21° C). Avoid areas that may be subject to active air movements or currents (i.e., near exhaust fans/hoods, air conditioning ducts, exterior doors).
- Make sure the unit is at the proper counter height in an area convenient for use.
- Make sure the countertop is level and strong enough to support the weight of the unit and food product.
- Make sure the feet on the bottom of the unit are positioned securely on the countertop.

5. If installing a countertop mounted unit, apply National Sanitation Foundation-approved (NSF) silicone around the perimeter of the unit.

6. Slide each glass side panel into the top channel, then lower the panel into the bottom channel.



Installing the Glass Side Panels

7. Install the product divider rods into the channel dividers, if desired. The rods can be adjusted easily to separate holding areas as needed.
8. Install any accessories that came with the unit. Refer to the OPTIONS AND ACCESSORIES section for details.
9. Plug the unit into a properly grounded electrical receptacle of the correct voltage, size, and plug configuration. See the SPECIFICATIONS section for details.

General

Use the following procedures to operate the Glo-Ray® Heated Glass Merchandisers.



Read all safety messages in the IMPORTANT SAFETY INFORMATION section before operating this equipment.

Do not place food product directly onto hardcoat or glass surface. Food product must be wrapped, boxed, or on a food pan.



Do not use food pans, ceramic dishes, or abrasive materials on heated glass shelf. Scratching of the glass surface may occur, marring its appearance and making it susceptible to soil accumulation. Damage to glass surface or breakage of glass caused by misuse is not covered under warranty.

Do not slide pans across hardcoat surface, use rough-bottomed pans, or drop anything on hardcoat surface. Scratching may occur. Damage to hardcoat surface caused by misuse is not covered under warranty.

Do not allow the glass shelf to overheat. Overheating may cause the food containers to melt or soften.

Control Panel

The following are descriptions of the controls used to operate the unit. All controls are located on the control panel at the back of the unit.

Heat Source Icon

The heat source icon consists of two or three bars and appears below the control knob for each heat source. Each bar in the icon represents a heat source on the unit, starting at the base. The bar that is in red indicates which heat source is controlled by the corresponding control knob.

Base Heat Control Knob

The Base Heat Control knob controls heat to the base of the unit. Turning the Base Heat Control knob clockwise will increase the temperature setting. Turning the Base Heat Control knob counterclockwise will decrease the temperature setting.

Shelf Heat Control Knob(s)

The Shelf Heat Control knob(s) controls heat to a glass shelf on the unit. The heat source icon below the control indicates which shelf corresponds to the control. Turning a Heat Control knob clockwise will decrease the temperature setting. Turning a Heat Control knob counterclockwise will increase the temperature setting. Turning a Shelf Heat Control knob to “O” turns off heat to the corresponding shelf.

NOTE: Each heated glass shelf is controlled independently.

Lights On/Off Switch

The Lights On/Off Switch controls power to the lights.

Power On/Off Switch

The Power On/Off Switch controls power to the entire unit.

Operating the Unit

Startup

1. Plug unit into a properly grounded electrical receptacle of the correct voltage, size and plug configuration. See the SPECIFICATIONS section for details.
2. Move the Power On/Off switch up to the “on” position.
 - The heated base will energize.
 - Power to each heated glass shelf and the Lights On/Off switch is available.



BURN HAZARD: Some exterior surfaces on unit will get hot. Use caution when touching these areas.

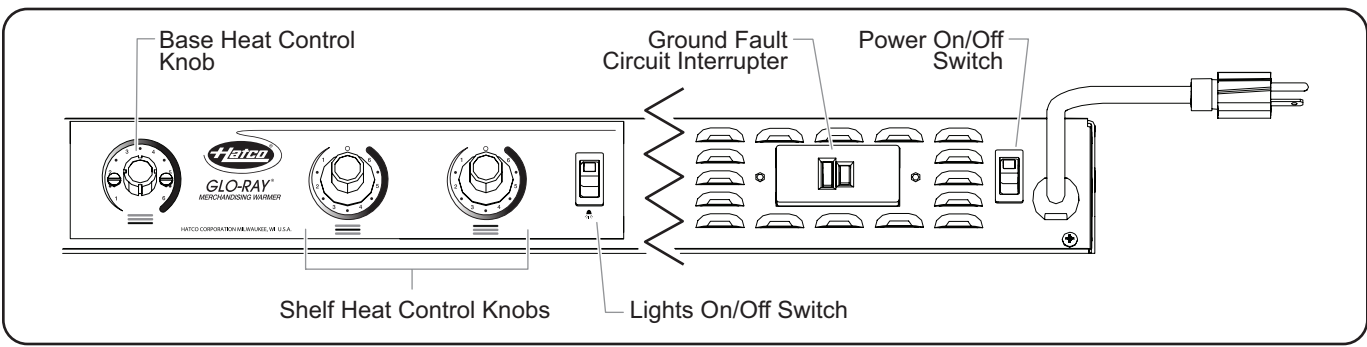
3. Move the Lights On/Off switch to the “on” position. The display lights will illuminate.

NOTE: The Glo-Ray Heated Glass Merchandiser can be used with the lights on or off.

4. Turn the Heat Control knobs to the desired temperature setting for the base and each heated glass shelf. The operating temperature range is from room temperature to approximately 185°–200°F (85°–93°C).
5. Allow the unit 30 minutes to reach operating temperature before placing preheated food product.

Shutdown

1. Move the Power On/Off switch down to the “off” position. The heated glass shelves, overhead lights, and heated base will shut off.
2. Perform the “Daily Cleaning” procedure in the MAINTENANCE section of this manual.



General

Hatco Heated Glass Merchandisers are designed for maximum durability and performance with minimum maintenance.

⚠ WARNING

ELECTRIC SHOCK HAZARD:

- Turn OFF power switch, unplug power cord, and allow unit to cool before performing any cleaning, setup, or maintenance.
- Units with two power cords must have both power supply cords disconnected before performing any cleaning, adjustments, or maintenance.
- DO NOT submerge or saturate with water. Unit is not waterproof. Do not operate if unit has been submerged or saturated with water.
- Do not steam clean or use excessive water on unit.
- This unit is not “jet-proof” construction. Do not use jet-clean spray to clean this unit.
- Do not clean unit when it is energized or hot.
- Use only Genuine Hatco Replacement Parts when service is required. Failure to use Genuine Hatco Replacement Parts will void all warranties and may subject operators of the equipment to hazardous electrical voltage, resulting in electrical shock or burn. Genuine Hatco Replacement Parts are specified to operate safely in the environments in which they are used. Some aftermarket or generic replacement parts do not have the characteristics that will allow them to operate safely in Hatco equipment.

This unit has no “user-serviceable” parts. If service is required on this unit, contact an Authorized Hatco Service Agent or contact the Hatco Service Department at 800-558-0607 or 414-671-6350.

⚠ CAUTION

Do not move or relocate unit for cleaning. Unit is bulky and heavy.

Daily Cleaning

To maintain performance and preserve the finish of the Heated Glass Merchandiser, clean the unit daily.

NOTICE

Clean unit daily to avoid malfunctions and maintain sanitary operation.

Use non-abrasive cleaners and cloths only. Abrasive cleaners and cloths could scratch finish of unit, marring its appearance and making it susceptible to soil accumulation.

IMPORTANT—DO NOT use paper towel or glass cleaner to clean plastic surfaces such as sneeze guards and flip-up doors. Paper towel and glass cleaner may scratch the material. Wipe off plastic surfaces using a soft, clean, water-dampened cloth.

1. Turn off the unit, unplug the power cord(s), and allow the unit to cool.
 - Units with two power cords must have both power supply cords disconnected before performing any cleaning, adjustments, or maintenance.
2. Remove and discard any remaining food product.
3. Wipe down the hardcoated heated base and all metal surfaces using a clean, damp cloth. Stubborn stains may be removed with a good non-abrasive cleaner. Hard to reach areas should be cleaned with a small brush and mild soap.
4. Clean the heated glass shelves and glass side panels using ordinary glass cleaner and a soft cloth or paper towel.
5. If equipped, clean the plastic sneeze guards or flip-up doors using soft cleaning cloths, mild soap, and water.

NOTICE: Do not use paper towel or glass cleaner on plastic surfaces—scratching may occur.

Ground Fault Circuit Interrupters

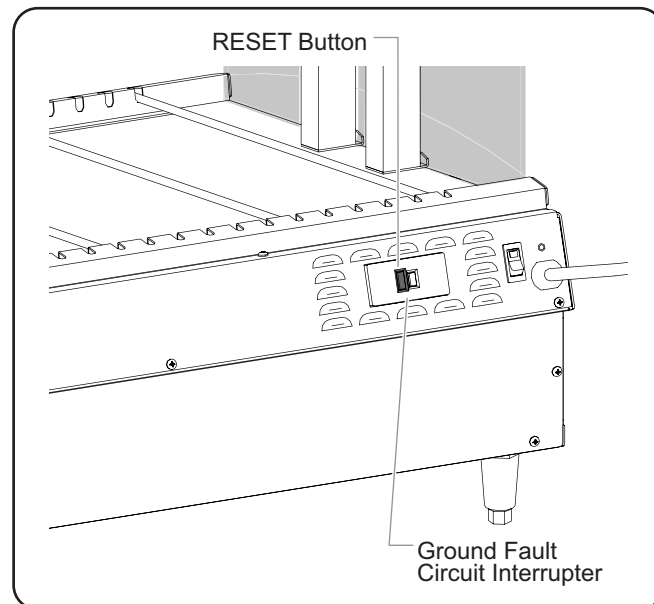
Heated Glass Merchandisers are supplied with up to two, built-in Ground Fault Circuit Interrupters (GFCI). GFCIs are designed to turn off electrical power and help prevent damage to the internal components when there is a short circuit or electrical fault.

To reset a GFCI:

1. Make sure the unit is plugged in and all ON/OFF switches are in the ON position.
2. Push the reset button.

NOTE: The unit must be plugged in and turned on for the GFCI to reset. If the unit is off, the GFCI will not reset.

If a GFCI continues to trip, contact an Authorized Hatco Service Agency.

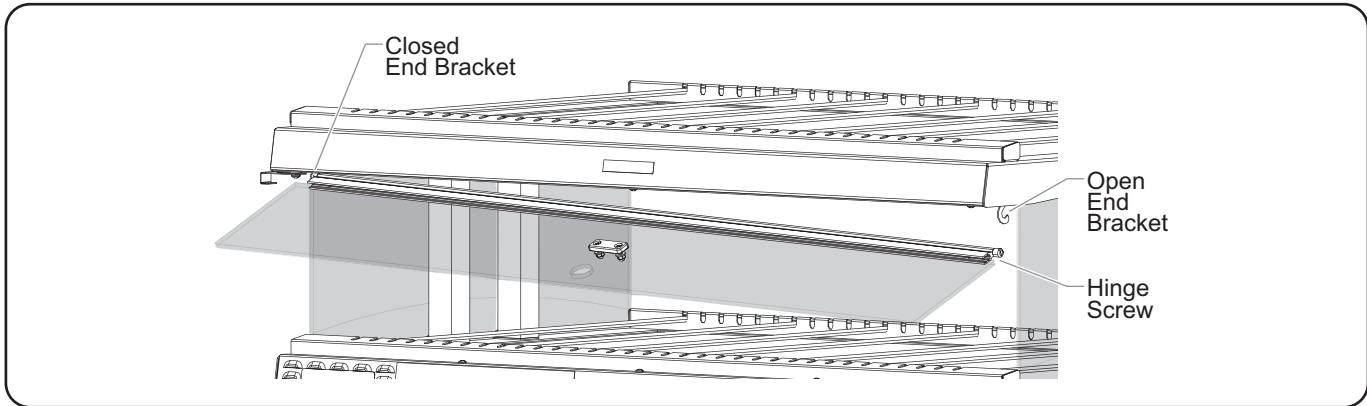


Ground Fault Circuit Interrupters

Removing Optional Flip-Up Doors

Use the following procedure to remove flip-up doors for cleaning.

1. Lift the hinge screw up and out of the open end bracket.
2. With the flip-up door tilted downward slightly, slide the other hinge screw out of the closed end bracket.



Removing Optional Flip-Up Doors



This unit must be serviced by qualified personnel only. Service by unqualified personnel may lead to electric shock or burn.



ELECTRIC SHOCK HAZARD: Turn OFF power switch, unplug power cord, and allow unit to cool before performing any cleaning, setup, or maintenance.

Symptom	Probable Cause	Corrective Action
Unit is plugged in, but not working.	Unit not turned on.	Move all Power On/Off switches to the "on" position.
	Circuit breaker tripped.	Reset circuit breaker. If circuit breaker continues to trip, contact Authorized Service Agent or Hatco for assistance.
	GFCI(s) tripped.	Reset GFCI. If GFCI continues to trip, contact Authorized Service Agent or Hatco for assistance.
	Power On/Off switch(es) defective.	Contact Authorized Service Agent or Hatco for assistance.
	Supply voltage to unit is incorrect.	Verify supply voltage at both receptacles matches the unit specifications.
	Internal electrical malfunction.	Contact Authorized Service Agent or Hatco for assistance.
Display light(s) not working.	Lights On/Off switch in the "off" position.	Move Lights On/Off switch to the "on" position.
	Display lights connection loose or defective.	Contact Authorized Service Agent or Hatco for assistance.
Base, glass shelf, and/or canopy heat not hot enough.	Corresponding Heat Control Knob(s) set too low.	Adjust the appropriate Heat Control Knob(s) to a higher setting.
	Excessive air movement around unit.	Move the unit or redirect air movement away from the unit.
	Heat Control(s) not working properly.	Contact Authorized Service Agent or Hatco for assistance.
	Heating element and/or heated glass shelves not working.	
Base, glass shelf, and/or canopy heat too hot.	Corresponding Heat Control Knob(s) set too high.	Adjust the appropriate Heat Control Knob(s) to a lower setting.
	Heat Control(s) not working properly.	Contact Authorized Service Agent or Hatco for assistance.
	Supply voltage to unit is incorrect.	Verify supply voltage at the receptacle matches the unit specifications.
Display lights working, but no heat.	Power On/Off switch(es) in "off" position.	Move all Power On/Off switches to the "on" position.
	GFCI(s) tripped.	Reset GFCI. If GFCI continues to trip, contact Authorized Service Agent or Hatco for assistance.
	Heat Control(s) not working properly.	Contact Authorized Service Agent or Hatco for assistance.
	Heating element and/or heated glass shelves not working.	

Troubleshooting Questions?

If you continue to have problems resolving an issue, please contact the nearest Authorized Hatco Service Agency or Hatco for assistance. To locate the nearest Service Agency, log onto the Hatco website at www.hatcocorp.com, select the *Support* pull-down menu, and click on "Find A Service Agent"; or contact the **Hatco Parts and Service Team** at:

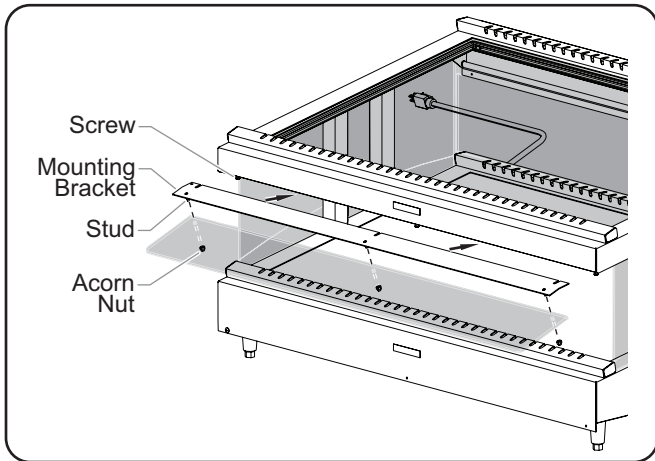
Telephone: 800-558-0607 or 414-671-6350

e-mail: support@hatcocorp.com

Sneeze Guards

Sneeze guards are available for all models as an added option at the time of order. Sneeze guards can be installed above each shelf on the customer side of the unit.

1. Remove protective paper from acrylic surfaces.
2. Secure mounting bracket into position with studs facing to the front and downward by loosening three screws from underside of shelf, inserting bracket at slots, and tighten screws.
3. Position the acrylic sneeze guard onto the warmer with the mounting holes aligned.
4. Secure the sneeze guard using the acorn nuts provided. Tighten until snug. Do not over-tighten.



Sneeze Guard Installation

Shelf Sign Holder

A shelf sign holder (sign not included) is available for the top or middle shelf on the customer side. The shelf sign holder is available as a factory-installed option only.

4" (102 mm) Adjustable Legs

4" (102 mm) legs are available in lieu of the 2-1/2" (64 mm) legs for installations that require additional clearance between the unit and countertop.

Product Divider Rods

Stainless steel product divider rods are available as an accessory.

3SD-DIV Stainless Steel Divider Rod

Designer Colors

Designer colors are available as an option at the time of order.

Plexiglass Side Panels

Plexiglass side panels are available as a factory installed option in lieu of glass side panels.

Flip-Up Doors

Flip-up doors are available for all models as an added option at the time of order. Flip-up doors can be ordered on each shelf and on either the customer side or operator side of the unit.

NOTE: Door should swing fully up for product placement.

NOTE: When loading/unloading product, use door hook to hold flip-up door in the open position.

12" (305 mm) Top Shelf Sign Holder

A 12" (305 mm) top shelf sign holder (sign not included) is available for the top shelf only. The top shelf sign holder is available **as** an accessory and adds 14-1/4" (362 mm) to the height of the unit.

Use the following procedure to install the top shelf sign holder.



WARNING

ELECTRIC SHOCK HAZARD:

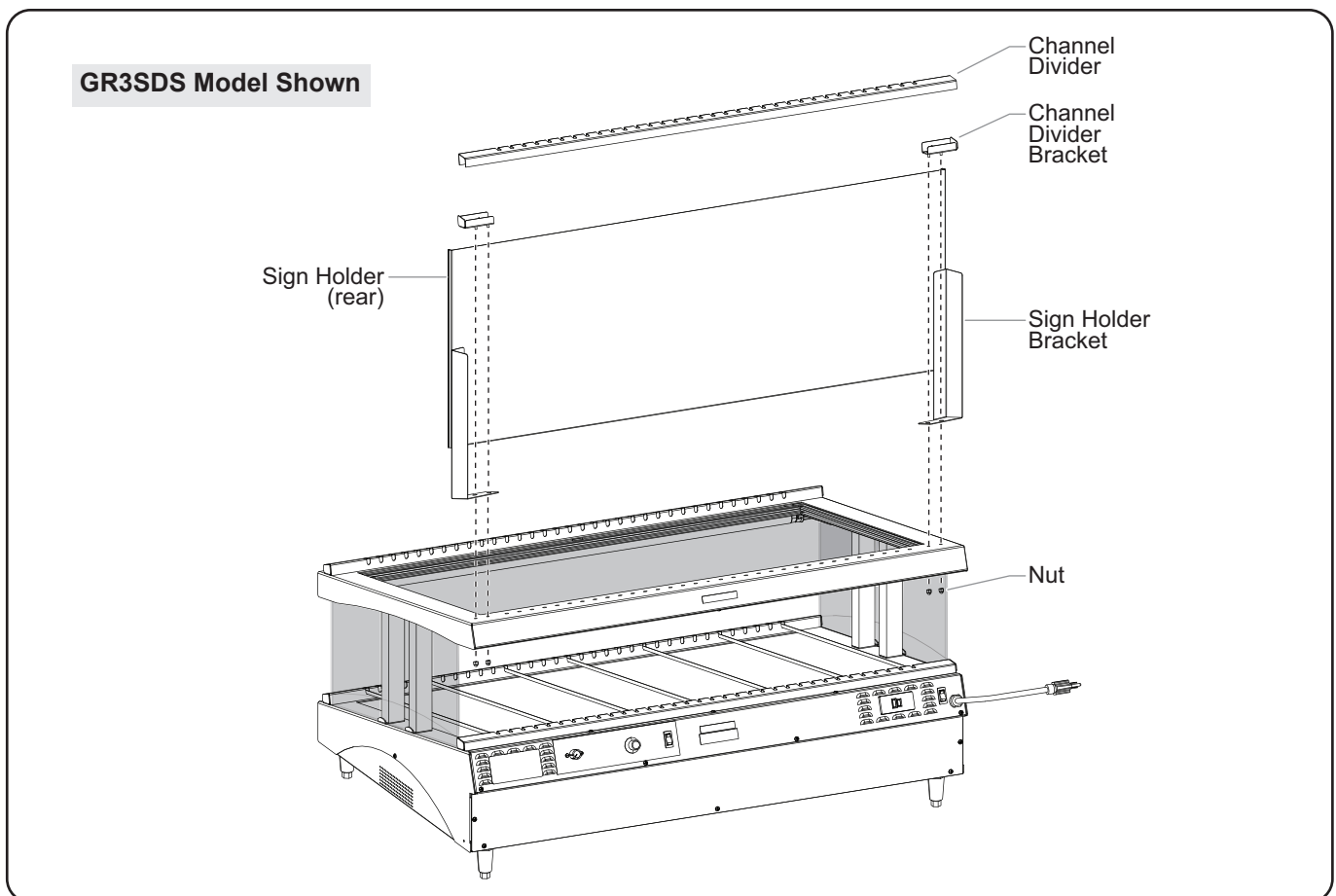
- Turn power switch OFF, unplug power cord, and allow unit to cool before performing any maintenance or cleaning.
- This unit must be serviced by qualified personnel only. Service by unqualified personnel may lead to shock or burn.

1. Turn off and unplug the unit. Allow the unit to cool completely.
2. Remove the channel divider rods and channel divider on the control side of the unit.
3. Remove the channel divider brackets on the control side by removing the nuts attaching them to the unit.

4. Align the holes on the sign holder brackets with the holes previously used to secure the channel divider brackets.

NOTE: Make sure the sign holder is facing away from the control side of the unit when installing the sign holder.

5. Secure the sign holder to the unit.
 - a. Place the channel divider bracket studs through the sign holder bracket holes.
 - b. Tighten the nuts under the top of the unit.
6. Place the channel divider between the two channel divider brackets.
7. Install the product divider rods into the channel dividers, if desired. The rods can be adjusted easily to separate holding areas **as** needed.



12" (305 mm) Top Shelf Sign Holder Installation

1. PRODUCT WARRANTY

Hatco warrants the products that it manufactures (the "Products") to be free from defects in materials and workmanship, under normal use and service, for a period of one (1) year from the date of purchase when installed and maintained in accordance with Hatco's written instructions or 18 months from the date of shipment from Hatco. Buyer must establish the Product's purchase date by registering the Product with Hatco or by other means satisfactory to Hatco in its sole discretion.

Hatco warrants the following Product components to be free from defects in materials and workmanship from the date of purchase (subject to the foregoing conditions) for the period(s) of time and on the conditions listed below:

a) One (1) Year Parts and Labor PLUS One (1) Additional Year Parts-Only Warranty:

- Conveyor Toaster Elements (metal sheathed)
- Drawer Warmer Elements (metal sheathed)
- Drawer Warmer Drawer Rollers and Slides
- Strip Heater Elements (metal sheathed)
- Display Warmer Elements (metal sheathed air heating)
- Holding Cabinet Elements (metal sheathed air heating)
- Heated Well Elements — HW and HWB Series (metal sheathed)

b) Two (2) Year Parts and Labor Warranty:

- Induction Ranges
- Induction Warmers

c) One (1) Year Parts and Labor PLUS Four (4) Years Parts-Only Warranty:

- 3CS and FR Tanks

d) One (1) Year Parts and Labor PLUS Nine (9) Years Parts-Only Warranty on:

- Electric Booster Heater Tanks
- Gas Booster Heater Tanks

e) Ninety (90) Day Parts-Only Warranty:

- Replacement Parts

THE FOREGOING WARRANTIES ARE EXCLUSIVE AND IN LIEU OF ANY OTHER WARRANTY, EXPRESSED OR IMPLIED, INCLUDING BUT NOT LIMITED TO ANY IMPLIED WARRANTY OF MERCHANTABILITY OR FITNESS FOR A PARTICULAR PURPOSE OR PATENT OR OTHER INTELLECTUAL PROPERTY RIGHT INFRINGEMENT. Without limiting the generality of the foregoing, SUCH WARRANTIES DO NOT COVER: Coated incandescent light bulbs, fluorescent lights, heat lamp bulbs, coated halogen light bulbs, halogen heat lamp bulbs, xenon light bulbs, LED light tubes, glass components, and fuses; Product failure in booster tank, fin tube heat exchanger, or other water heating equipment caused by liming, sediment buildup, chemical attack, or freezing; or Product misuse, tampering or misapplication, improper installation, or application of improper voltage.

2. LIMITATION OF REMEDIES AND DAMAGES

Hatco's liability and Buyer's exclusive remedy hereunder will be limited solely, at Hatco's option, to repair or replacement using new or refurbished parts or Product by Hatco or a Hatco-authorized service agency (other than where Buyer is located outside of the United States, Canada, United Kingdom, or Australia, in which case Hatco's liability and Buyer's exclusive remedy hereunder will be limited solely to replacement of part under warranty) with respect to any claim made within the applicable warranty period referred to above. Hatco reserves the right to accept or reject any such claim in whole or in part. In the context of this Limited Warranty, "refurbished" means a part or Product that has been returned to its original specifications by Hatco or a Hatco-authorized service agency. Hatco will not accept the return of any Product without prior written approval from Hatco, and all such approved returns shall be made at Buyer's sole expense. HATCO WILL NOT BE LIABLE, UNDER ANY CIRCUMSTANCES, FOR CONSEQUENTIAL OR INCIDENTAL DAMAGES, INCLUDING BUT NOT LIMITED TO LABOR COSTS OR LOST PROFITS RESULTING FROM THE USE OF OR INABILITY TO USE THE PRODUCTS OR FROM THE PRODUCTS BEING INCORPORATED IN OR BECOMING A COMPONENT OF ANY OTHER PRODUCT OR GOODS.

Informations Importantes pour le Propriétaire	17	Mode d'emploi	25
Introduction	17	Généralités	25
Consignes de Sécurité Importantes	18	Panneau de contrôle	25
Description du Modèle	19	Fonctionnement de l'appareil	25
Tous les Modèles.....	19	Maintenance	26
GR3SDH Modèles.....	19	Généralités	26
GR3SDS Modèles	19	Nettoyage quotidien.....	26
Désignation du Modèle	19	Disjoncteurs-détecteurs de fuite à la terre	26
Caractéristiques Techniques	20	Retrait des portes relevables en option.....	27
Configuration des Fiches.....	20	Guide de Dépannage	28
Tableau des valeurs nominales électriques	20	Options et accessoires	29
Dimensions.....	22	Garantie Limitée	31
Installation	24	Autorisés Distributeurs de Pièces	Couverture Arrière
Généralités	24		

INFORMATIONS IMPORTANTES POUR LE PROPRIÉTAIRE

Notez le numéro de modèle, le numéro de série, la tension et la date d'achat de l'appareil dans les espaces ci-dessous (étiquette des caractéristiques techniques située à l'arrière de l'appareil). Veuillez avoir cette information à portée de la main si vous appelez Hatco pour assistance.

Modèle No. _____

Numéro de série _____

Voltage _____

Date d'achat _____

Enregistrez votre appareil!

Remplissez la garantie en ligne pour éviter les retards pour faire jouer la garantie. Accédez au site Web Hatco www.hatcocorp.com, sélectionnez le menu déroulant *Support (Assistance)*, puis cliquez sur « Warranty » (Garantie).

Horaires

ouvrables : 7h00 à 17h00 du lundi au vendredi
Heure du Centre (CT)
(Horaires d'été—juin à septembre:
7h00 à 17h00 du lundi au jeudi
7h00 à 16h00 le vendredi)

Téléphone: 800-558-0607; 414-671-6350

Courriel: support@hatcocorp.com



Service d'assistance et de pièces de rechange disponible 7j/7, 24h/24 aux États-Unis et au Canada en composant le 800-558-0607.

Des renseignements supplémentaires sont disponibles sur notre site Web à www.hatcocorp.com.

INTRODUCTION

Les présentoirs chauffants Glo-Ray® de Hatco GR3SDH (rayonnement horizontal) et GR3SDS (rayonnement incliné) sont parfaits pour maintenir au chaud des aliments enveloppés ou mis en boîte sur une ligne de buffet ou aux points de service des clients. Le socle chauffant à revêtement dur et à contrôle thermostatique et la plaque chauffante vitrée unique et brevetée permettent de maintenir au chaud des aliments enveloppés ou mis en boîte et de les garder à des températures de service optimales tout en garantissant la qualité des produits.

Ces présentoirs possèdent une plaque chauffante supplémentaire sur le dessus, idéale pour maintenir à court terme des aliments pour lesquels la température de service n'est pas importante. Les présentoirs chauffants Glo-Ray sont garantis un an contre la casse et le brûlage des circuits. Ces appareils disposent également de lampes LED et d'un jeu de cordons et de prises d'alimentation.

Les présentoirs chauffants Glo-Ray de Hatco sont le résultat de recherches approfondies et de nombreux essais pratiques. Les matériaux utilisés ont été sélectionnés pour un maximum de durabilité, une belle apparence et une performance optimale. Chaque appareil est minutieusement inspecté et testé avant expédition.

Ce manuel contient des instructions relatives à l'installation, à la sécurité et au fonctionnement des présentoirs chauffants. Hatco vous recommande de lire l'ensemble des instructions d'installation et d'utilisation et toutes les consignes de sécurité dans ce manuel avant d'installer et d'utiliser l'appareil.

Les consignes de sécurité qui apparaissent dans ce manuel sont identifiées par les mots indicateurs suivants :

AVERTISSEMENT

AVERTISSEMENT indique une situation dangereuse qui, si elle n'est pas évitée, peut provoquer la mort ou des blessures graves.

ATTENTION

ATTENTION indique une situation dangereuse qui, si elle n'est pas évitée, peut provoquer des blessures légères ou moyennes.

AVIS

AVIS est utilisé pour des questions sans rapport avec des blessures corporelles.

! Lisez l'information de sécurité importante suivante avant d'utiliser cet équipement pour éviter des dommages ou la mort sérieux et pour éviter d'endommager l'équipement ou la propriété.

! AVERTISSEMENT

DANGER DE DÉCHARGE ÉLECTRIQUE :

- Brancher l'appareil sur une prise de courant avec terre de tension, de format et de configuration des broches corrects. Si la fiche et la prise ne se correspondent pas, s'adresser à un électricien qualifié pour déterminer et installer une prise de courant de format et de tension corrects.
- Éteignez l'appareil et débranchez le cordon d'alimentation de la prise secteur et laissez refroidir avant une maintenance ou un nettoyage.
- Si les appareils sont dotés de deux cordons d'alimentation, ces derniers doivent tous deux être débranchés avant d'effectuer tout nettoyage, réglage ou entretien de l'appareil.
- **NE PAS immerger l'appareil ni le saturer d'eau.** L'appareil n'est pas étanche à l'eau. Ne pas le faire fonctionner s'il a été immergé ou saturé d'eau.
- L'appareil n'est pas à l'épreuve des intempéries. Placer l'appareil à l'intérieur à une température ambiante de 21°C (70°F) minimum.
- Ne pas nettoyer à la vapeur ni utiliser trop d'eau sur l'appareil.
- Cet appareil n'est pas étanche aux jets. Ne pas utiliser de jet sous pression pour nettoyer l'appareil.
- Ne pas nettoyer l'appareil lorsqu'il est sous tension ou chaud.
- Ne pas tirer l'appareil par son cordon électrique.
- Ne pas utiliser l'appareil si le cordon est endommagé ou usé.
- Ne pas tenter de réparer ni de changer un cordon électrique endommagé. Ce cordon doit être changé par Hatco, par un réparateur Hatco agréé ou par une personne de qualifications comparables.
- Cet appareil doit uniquement être réparé par un personnel qualifié. Toute réparation par un personnel non qualifié peut entraîner une électrocution et des brûlures.
- Pour les réparations, utiliser exclusivement des pièces de rechange Hatco d'origine. Utilisez des pièces détachées Hatco authentiques sous peine d'annuler toutes les garanties et d'exposer l'utilisateur à des tensions électriques dangereuses pouvant entraîner une électrocution ou des brûlures. Les pièces de rechange Hatco d'origine sont conçues pour fonctionner sans danger dans les environnements dans lesquels elles sont utilisées. Certaines pièces de rechange génériques ou de second marché ne présentent pas les caractéristiques leur permettant de fonctionner sans danger dans la matériel Hatco.

DANGER D'INCENDIE: Installez l'appareil de sorte à conserver une distance minimale de 76 mm (3") entre l'arrière de l'appareil et le mur. Si une distance sûre n'est pas maintenue, la chaleur peut provoquer une combustion ou une altération de couleur.

Assurez-vous que tous les opérateurs ont été formés à l'utilisation sûre et correcte de l'appareil.

! AVERTISSEMENT

S'assurer que le produit alimentaire a été chauffé à une température adaptée au maintien de sa salubrité avant de le mettre dans l'appareil sous peine de risques graves pour la santé. Cet appareil est destiné au maintien au chaud de produits alimentaires préchauffés uniquement.

Ne placez aucun produit alimentaire directement sur une surface à revêtement dur. Les produits alimentaires doivent être emballés, placés dans une boîte ou dans un bac alimentaire.

Cet appareil ne doit pas être utilisé par des enfants ou des personnes avec des capacités physiques, sensorielles ou mentales diminuées. Assurez-vous que les enfants sont bien surveillés et tenez-les à l'écart de l'appareil.

Cet appareil ne contient aucune pièce réparable par l'utilisateur. Si cet appareil doit être réparé, contacter un réparateur Hatco agréé ou le Service après-vente Hatco au 800-558-0607 ou 414-671-6350.

! ATTENTION

DANGER DE BRÛLURE : Certaines surfaces extérieures de l'appareil deviennent chaudes. Toucher ces zones de l'appareil avec précaution.

Placer l'appareil sur un plan de travail de hauteur correcte à un endroit qui convient pour son utilisation. Le support doit être de niveau pour éviter toute chute accidentelle du grille-pain ou de son contenu et suffisamment solide pour résister au poids de l'appareil et de son contenu.

La National Sanitation Foundation (NSF) exige que les appareils mesurant plus de 914 mm (36") de largeur et pesant plus de 36 kg (80 lbs.) soient hermétiquement fixés ou rehaussés sur la surface d'installation. Si l'unité ne peut pas être fixée à l'endroit d'utilisation, des pieds de 64 mm (2-1/2") sont fournis pour permettre le nettoyage du dessous de l'unité.

Ne déplacez pas et ne bougez pas l'appareil pour le nettoyer. L'appareil est volumineux et lourd.

AVIS

Ne posez pas l'appareil sur la face avant ou sur la face arrière. L'appareil pourrait être endommagé.

Utilisez uniquement des nettoyants non abrasifs et des chiffons doux. Les chiffons et nettoyant abrasifs pourraient rayer la finition de l'unité, altérant son apparence et la rendant vulnérable à l'accumulation de saleté.

IMPORTANT—N'UTILISEZ JAMAIS une serviette en papier ou un nettoyant pour vitres sur les surfaces en plastique telles que les pare-haleine ou les capots rabattables. Les serviettes en papier et le nettoyant pour vitres peuvent rayer l'équipement. Essuyez les surfaces plastique à l'aide d'un chiffon doux, propre et humide.

Empêchez toute surchauffe de la plaque vitrée. La surchauffe peut faire fondre ou ramollir les contenants alimentaires.

AVIS

N'utilisez pas de bacs alimentaires, de plats en céramique ou de matériaux abrasifs sur la plaque chauffante vitrée. Cela pourrait rayer la surface vitrée, la détériorer et la rendre plus salissante. Les dommages occasionnés à la surface vitrée ou le bris de la vitre dus à une utilisation inappropriée ne sont pas couverts par la garantie.

Ne pas placer l'appareil dans un endroit où la circulation de l'air est trop forte. Évitez les zones pouvant être soumises à des mouvements ou des courants d'air actifs (c.-à-d. à proximité des ventilateurs/capots d'échappement, des conduites de climatisation et des portes extérieures).

AVIS

Ne faites pas glisser de casseroles sur les surfaces à revêtement dur, n'utilisez pas de casseroles avec revêtement à fond dur et ne laissez rien tomber sur les surfaces à couche dure. Cela pourrait rayer votre équipement. Les dommages causés sur les surfaces à revêtement dur dus à une mauvaise utilisation ne sont pas couverts par la garantie.

Nettoyer chaque jour l'appareil pour éviter les dysfonctionnements et maintenir l'hygiène.

DESCRIPTION DU MODÈLE

Tous les Modèles

Tous les modèles GR3SD présentent un socle chauffant à revêtement dur et à contrôle thermostatique ainsi qu'une double source de chaleur vitrée qui conduit la chaleur vers le haut afin de maintenir au chaud les aliments posés sur la plaque vitrée et qui irradie vers le bas pour chauffer les produits situés en dessous. Ces modèles comprennent également des panneaux latéraux en verre trempé, des barres de division des produits, des lampes LEDs et un jeu de cordons et de prises d'alimentation.

Modèles GR3SDH

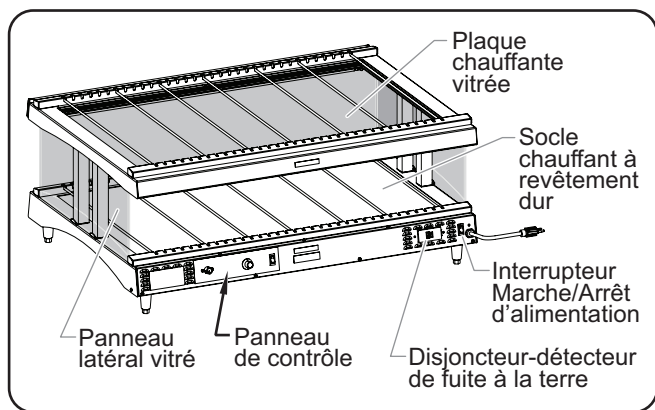
Les modèles GR3SDH sont des présentoirs chauffants à rayonnages horizontaux conçus pour maintenir au chaud des produits alimentaires enveloppés ou mis en boîte.

Ces modèles sont disponibles dans des longueurs de 692 mm (27-1/4"), 845 mm (33-1/4") et 997 mm (39-1/4") et avec une plaque chauffante vitrée simple ou double.

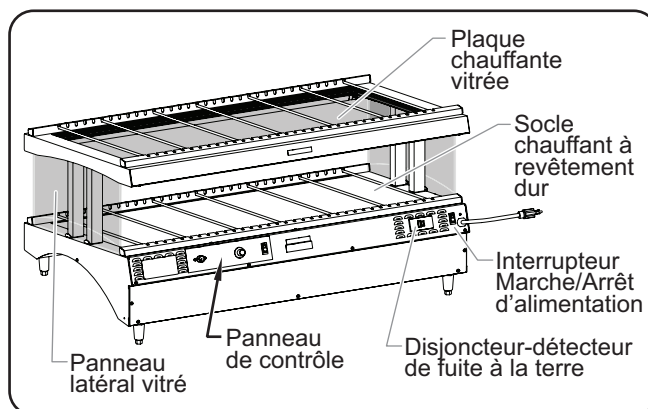
Modèles GR3SDS

Les modèles GR3SDS sont des présentoirs chauffants à rayonnages inclinés conçus pour maintenir au chaud des produits alimentaires enveloppés ou mis en boîte. Les rayonnages sont inclinés pour faciliter le libre-service.

Ces modèles sont disponibles dans des longueurs de 692 mm (27-1/4"), 845 mm (33-1/4") et 997 mm (39-1/4") et avec une plaque chauffante vitrée simple ou double.



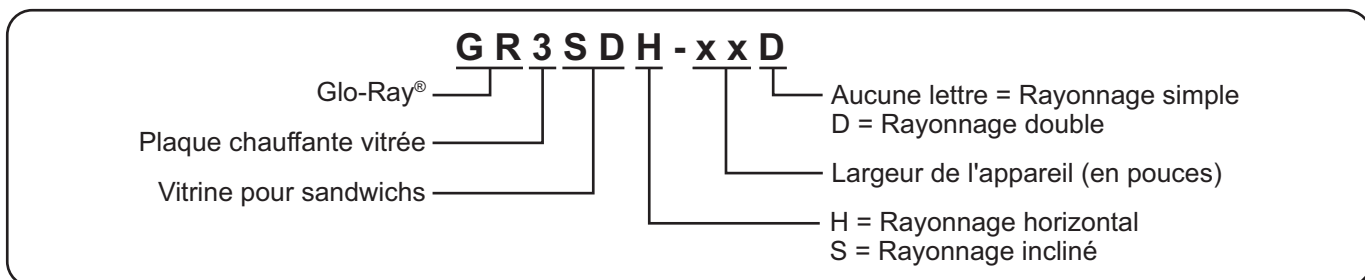
Modèles GR3SDH



Modèles GR3SDS

NOTA: Des pare-haleine et des capots rabattables sont disponibles pour les comptoirs chauffants. Consultez la section OPTIONS ET ACCESSOIRES de ce manuel pour plus de détails.

DÉSIGNATION DU MODÈLE



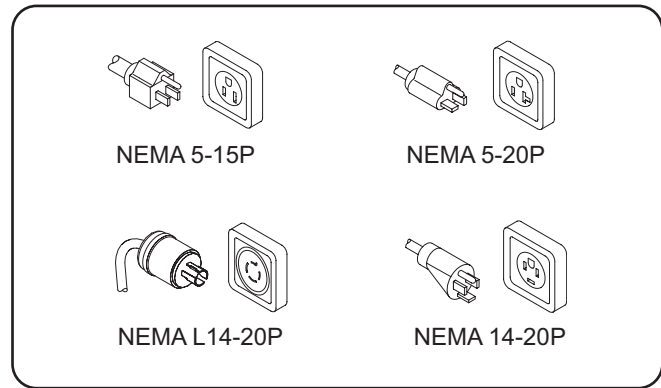
Configuration des fiches

Les appareils sont équipés d'un câble d'alimentation électrique adapté à la capacité nominale de l'appareil et doivent être branchés à un circuit dédié à cet effet.

AVERTISSEMENT

DANGER DE DÉCHARGE ÉLECTRIQUE: Brancher l'appareil sur une prise de courant avec terre de tension, de format et de configuration des broches corrects. Si la fiche et la prise ne se correspondent pas, s'adresser à un électricien qualifié pour déterminer et installer une prise de courant de format et de tension corrects.

NOTA: L'étiquette des caractéristiques techniques est située à l'arrière de l'appareil. Consultez l'étiquette pour connaître le numéro de série et vérifier les caractéristiques électriques de l'appareil.



Configuration des fiches

NOTA: Prise non fournie par Hatco.

Tableau des valeurs nominales électriques — Modèles GR3SDH-xx (Rayonnage simple horizontal)

Modèle	Tension	Intensité	Amps	Configuration de Fiches	Poids d'embarquement
GR3SDH-27	120	997	8.3	NEMA 5-15P	50 kg. (108 lbs.)
GR3SDH-33	120	1251	10.4	NEMA 5-15P	55 kg. (120 lbs.)
GR3SDH-39	120	1505	12.5	NEMA 5-15P †	60 kg. (133 lbs.)

Tableau des valeurs nominales électriques — Modèles GR3SDH-xxD (Rayonnage double horizontal)

Modèle	Tension	Intensité	Amps	Configuration de Fiches	Poids d'embarquement
GR3SDH-27D	120	1769	14.7	NEMA 5-15P †	67 kg. (147 lbs.)
GR3SDH-33D	120/208–240	2227	10.3	NEMA L14-20P •	75 kg. (166 lbs.)
GR3SDH-39D	120/208–240	2685	12.3	NEMA L14-20P •	88 kg. (194 lbs.)

† NEMA 5-20P pour le Canada.

• NEMA 14-20P en option.

**Tableau des valeurs nominales électriques —
Modèles GR3SDS-xx (Rayonnement simple incliné)**

Modèle	Tension	Intensité	Amps	Configuration de Fiches	Poids d'embarquement
GR3SDS-27	120	997	8.3	NEMA 5-15P	52 kg. (115 lbs.)
GR3SDS-33	120	1251	10.4	NEMA 5-15P	58 kg. (127 lbs.)
GR3SDS-39	120	1505	12.5	NEMA 5-15P †	71 kg. (156 lbs.)

**Tableau des valeurs nominales électriques —
Modèles GR3SDS-xxD Rayonnement double incliné)**

Modèle	Tension	Intensité	Amps	Configuration de Fiches	Poids d'embarquement
GR3SDS-27D	120	1769	14.7	NEMA 5-15P †	75 kg. (164 lbs.)
GR3SDS-33D	120	1272/955	10.6/8.0	NEMA 5-15P *	86 kg. (190 lbs.)
	120/208–240	2227	10.3	NEMA L14-20P •	
GR3SDS-39D	120/208–240	2685	12.3	NEMA L14-20P •	94 kg. (206 lbs.)

† NEMA 5-20P pour le Canada.

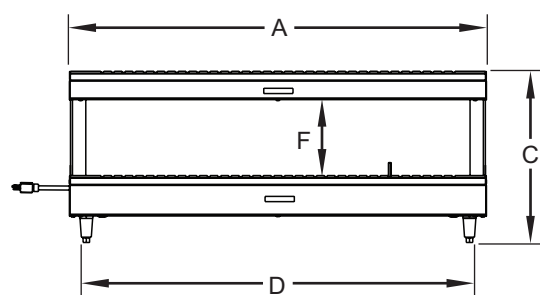
• NEMA 14-20P en option.

* L'appareil est équipé de deux jeux de cordons et de prises d'alimentation, nécessitant deux circuits d'alimentation de 120 V et de 15 A séparés (non disponible pour le Canada).

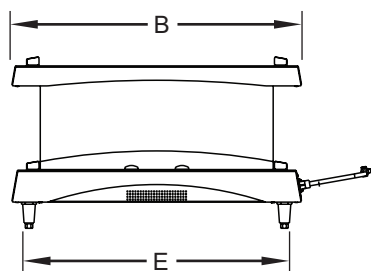
Dimensions — Modèles GR3SDH

Modèle	Largeur (A)	Profondeur (B)	Hauteur (C)	Largeur d'encombrement (D)	Profondeur d'encombrement (E)	Hauteur du rayonnage (F)
GR3SDH-27	692 mm (27-1/4")	692 mm (27-1/4")	410 mm (16-1/8")	635 mm (25")	635 mm (25")	184 mm (7-1/4")
GR3SDH-33	845 mm (33-1/4")	692 mm (27-1/4")	410 mm (16-1/8")	787 mm (31")	635 mm (25")	184 mm (7-1/4")
GR3SDH-39	997 mm (39-1/4")	692 mm (27-1/4")	410 mm (16-1/8")	940 mm (37")	635 mm (25")	184 mm (7-1/4")
GR3SDH-27D	692 mm (27-1/4")	692 mm (27-1/4")	657 mm (25-7/8")	635 mm (25")	635 mm (25")	184 mm (7-1/4")
GR3SDH-33D	845 mm (33-1/4")	692 mm (27-1/4")	657 mm (25-7/8")	787 mm (31")	635 mm (25")	184 mm (7-1/4")
GR3SDH-39D	997 mm (39-1/4")	692 mm (27-1/4")	657 mm (25-7/8")	940 mm (37")	635 mm (25")	184 mm (7-1/4")

GR3SDH — Rayonnage simple

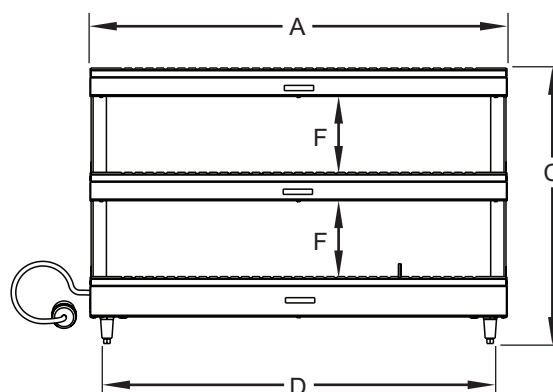


Vue de face

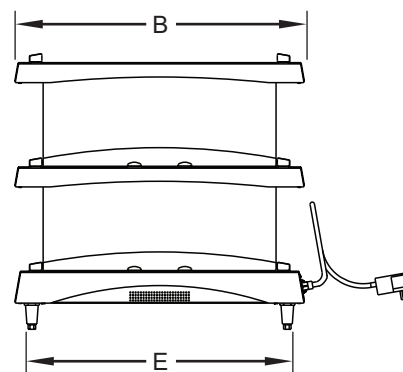


Vue de côté

GR3SDH — Rayonnage double



Vue de face

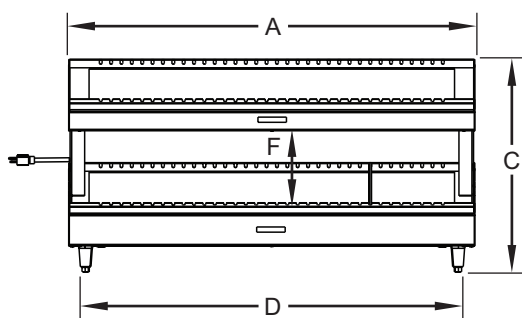


Vue de côté

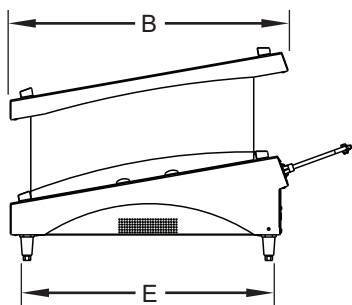
Dimensions — GR3SDS Models

Modèle	Largeur (A)	Profondeur (B)	Hauteur (C)	Largeur d'encombrement (D)	Profondeur d'encombrement (E)	Hauteur du rayonnage (F)
GR3SDS-27	692 mm (27-1/4")	683 mm (26-7/8")	521 mm (20-1/2")	635 mm (25")	616 mm (24-1/4")	184 mm (7-1/4")
GR3SDS-33	845 mm (33-1/4")	683 mm (26-7/8")	521 mm (20-1/2")	787 mm (31")	616 mm (24-1/4")	184 mm (7-1/4")
GR3SDS-39	997 mm (39-1/4")	683 mm (26-7/8")	521 mm (20-1/2")	940 mm (37")	616 mm (24-1/4")	184 mm (7-1/4")
GR3SDS-27D	692 mm (27-1/4")	683 mm (26-7/8")	775 mm (30-1/2")	635 mm (25")	616 mm (24-1/4")	184 mm (7-1/4")
GR3SDS-33D	845 mm (33-1/4")	683 mm (26-7/8")	775 mm (30-1/2")	787 mm (31")	616 mm (24-1/4")	184 mm (7-1/4")
GR3SDS-39D	997 mm (39-1/4")	683 mm (26-7/8")	775 mm (30-1/2")	940 mm (37")	616 mm (24-1/4")	184 mm (7-1/4")

GR3SDS — Rayonnage simple

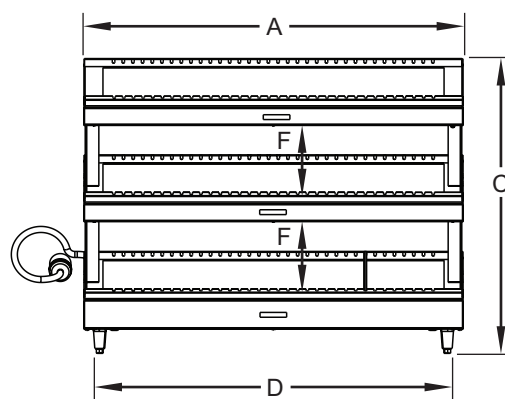


Vue de face

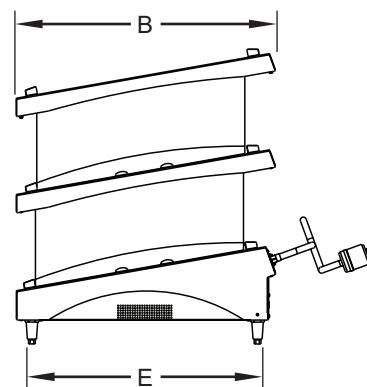


Vue de côté

GR3SDS — Rayonnage double



Vue de face



Vue de côté

Généralités

La plupart des composants des vitrines chauffantes Glo-Ray® sont préassemblés avant l'expédition. Veillez à ne pas endommager l'appareil et les composants qu'il renferme lors du déballage du carton d'expédition.

⚠ AVERTISSEMENT

DANGER DE DÉCHARGE ÉLECTRIQUE: L'appareil n'est pas à l'épreuve des intempéries. Placer l'appareil à l'intérieur à une température ambiante de 21°C minimum.

DANGER D'INCENDIE : Installez l'appareil de sorte à conserver une distance minimale de 76 mm (3") entre l'arrière de l'appareil et le mur. Si une distance sûre n'est pas maintenue, la chaleur peut provoquer une combustion ou une altération de couleur.

⚠ ATTENTION

Placer l'appareil sur un plan de travail de hauteur correcte à un endroit qui convient pour son utilisation. Le support doit être de niveau pour éviter toute chute accidentelle du grille-pain ou de son contenu et suffisamment solide pour résister au poids de l'appareil et de son contenu.

AVIS

Ne posez pas l'appareil sur la face avant ou sur la face arrière. L'appareil pourrait être endommagé.

NOTA: En raison de la taille et du poids des vitrines chauffantes, il est préférable qu'au moins deux personnes soient présentes pour l'installation.

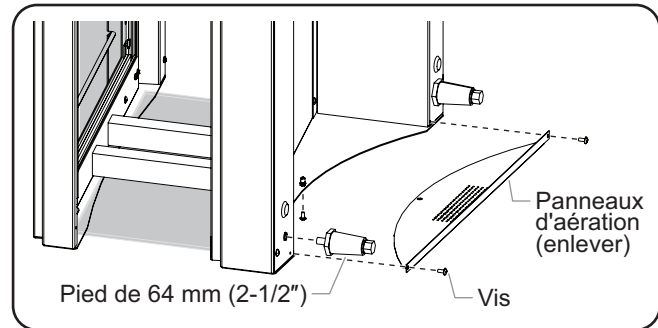
1. Retirer l'appareil de sa boîte.

NOTA : Pour éviter des retards dans l'obtention de la couverture de la garantie, complétez l'enregistrement en ligne de votre garantie. Lisez la section INFORMATIONS IMPORTANTES POUR LE PROPRIÉTAIRE pour plus de détails.

2. Retirer le ruban et le film de protection de toutes les surfaces de l'appareil.
3. Si vous installez des pieds de 64 mm (2-1/2") ou de 102 mm (4"), suivez la procédure ci-dessous. Si vous installez un modèle de comptoir, passez à l'étape suivante.
 - a. Retirez tous les séparateurs de gorge et les barres de division des produits.

NOTA: Les panneaux latéraux vitrés sont expédiés séparément. Assurez-vous qu'ils ne sont pas installés avant de faire basculer l'appareil.

- b. Couchez délicatement l'appareil sur le côté et retirez les quatre pieds en caoutchouc livrés avec, se il est installé.
- c. Vissez les pieds de 64 mm (2-1/2") ou de 102 mm (4") dans les trous où se trouvaient les quatre pieds en caoutchouc livrés avec l'appareil.
- d. Enlevez les deux panneaux d'aération situés sur les deux côtés de l'appareil en retirant les quatre vis.
- e. Replacez l'appareil à l'endroit.



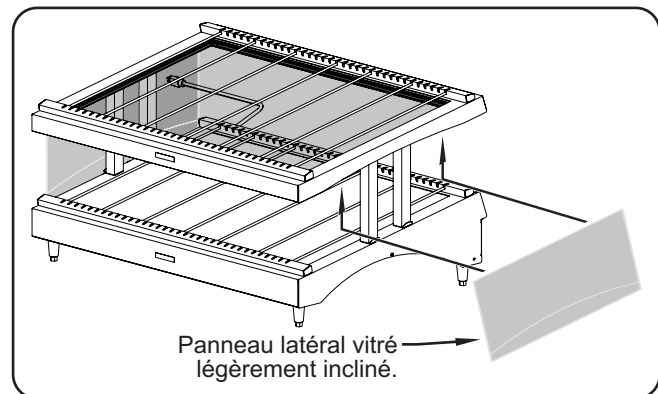
Installation des pieds

4. Placez l'appareil à l'endroit désiré.

- Placez l'appareil à un endroit où la température ambiante est constante et de 21°C (70°F) minimum. Évitez les endroits susceptibles d'activer les mouvements ou les courants d'air (comme à proximité de ventilateurs d'échappement/de hottes d'aspiration, de conduites de climatisation, de fenêtres pour vente à emporter).
- Assurez-vous que l'appareil est à la bonne hauteur du plan de travail dans un espace pratique pour son utilisation.
- Assurez-vous que le plan de travail est de niveau et suffisamment solide pour supporter le poids de l'appareil et des produits alimentaires.
- Veuillez vous assurer que tous les pieds en dessous de l'appareil sont fermement positionnés sur le comptoir.

5. Si vous installez un modèle de comptoir, appliquez du silicone homologué par la National Sanitation Foundation (NSF) tout autour de l'appareil.

6. Faites glisser chaque panneau latéral vitré dans la gorge supérieure, puis faites descendre le panneau dans la gorge inférieure.



Installation des panneaux latéraux vitrés

7. Installez les barres de séparation de produit dans le séparateur de gorge. Les barres peuvent être ajustées facilement afin de séparer les zones de conservation selon les besoins.
8. Montez les accessoires qui accompagnent l'appareil. Consultez la section OPTIONS ET ACCESSOIRES pour plus d'informations.
9. Branchez l'appareil à une prise de courant de la bonne tension, taille et configuration de fiche reliée à la terre. Consultez la section CARACTÉRISTIQUES TECHNIQUES pour obtenir plus de détails.

Généralités

Suivez les procédures suivantes pour faire fonctionner les vitrines chauffantes Glo-Ray.

AVERTISSEMENT

Lire tous les messages de sécurité de la section Consignes de sécurité importantes avant d'utiliser ce matériel.

Ne placez aucun produit alimentaire directement sur une surface à revêtement dur. Les produits alimentaires doivent être emballés, placés dans une boîte ou dans un bac alimentaire.

AVIS

N'utilisez pas de bacs alimentaires, de plats en céramique ou de matériaux abrasifs sur la plaque chauffante vitrée. Cela pourrait rayer la surface vitrée, la détériorer et la rendre plus salissante. Les dommages occasionnés à la surface vitrée ou le bris de la vitre dus à une utilisation inappropriée ne sont pas couverts par la garantie.

Ne faites pas glisser de casseroles sur les surfaces à revêtement dur, n'utilisez pas de casseroles avec revêtement à fond dur et ne laissez rien tomber sur les surfaces à couche dure. Cela pourrait rayer votre équipement. Les dommages causés sur les surfaces à revêtement dur dus à une mauvaise utilisation ne sont pas couverts par la garantie.

Empêchez toute surchauffe de la plaque vitrée. La surchauffe peut faire fondre ou ramollir les contenants alimentaires.

Panneau de contrôle

Voici la description des commandes utilisées pour faire fonctionner l'appareil. Toutes les commandes se trouvent sur le panneau de commande à l'arrière de l'appareil.

Icône de la source de chaleur

L'icône de la source de chaleur affiche deux ou trois barres et apparaît en dessous du bouton de commande de chaque source de chaleur. Chaque barre sur l'icône représente une source de chaleur de l'appareil, en commençant par le socle. La barre rouge indique quelle source de chaleur est commandée par le bouton de commande correspondant.

Bouton de commande de la température du socle

Le bouton de commande de la température du socle contrôle la température du socle de l'appareil. Si vous tournez le bouton de commande de la température du socle dans le sens des aiguilles d'une montre, cela augmentera le réglage de la température. Si vous tournez le bouton de commande de la température du socle dans le sens inverse des aiguilles d'une montre, cela baissera le réglage de la température.

Bouton(s) de commande de la température de la plaque

Le(s) bouton(s) de commande de la température de la plaque contrôle(nt) la température de la plaque vitrée de l'appareil. L'icône de la source de chaleur sous le bouton indique quelle plaque correspond à ce bouton. Si vous tournez le bouton de commande de la température dans le sens des aiguilles d'une montre, cela augmentera le réglage de la température. Si vous tournez le bouton de commande de la température dans le sens inverse des aiguilles d'une montre, cela baissera le réglage de la température. Si vous mettez le bouton de commande de la température de la plaque sur « 0 », cela arrêtera de chauffer la plaque correspondante.

NOTA: Chaque plaque chauffante vitrée est commandée de façon indépendante.

Interrupteur marche/arrêt des lampes

L'interrupteur marche/arrêt des lampes contrôle l'alimentation des lampes.

Interrupteur marche/arrêt de l'alimentation

L'interrupteur marche/arrêt de l'alimentation contrôle l'alimentation de tout l'appareil.

Fonctionnement de l'appareil

Démarrage

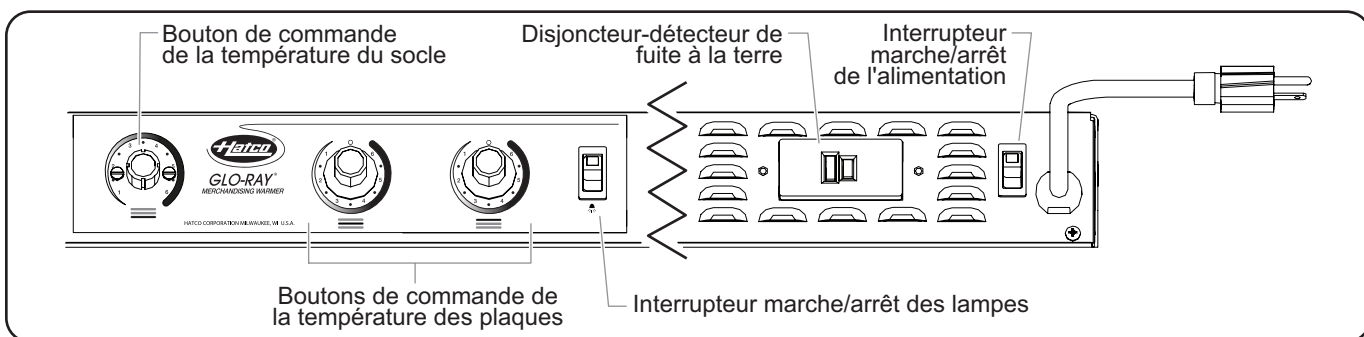
1. Branchez l'appareil à une prise correctement reliée à la terre et possédant la tension, la dimension et la configuration adéquates. Consultez la section CARACTÉRISTIQUES TECHNIQUES pour obtenir plus de détails.
2. Placez l'interrupteur marche/arrêt de l'alimentation sur la position « marche ».
 - Le socle chauffant sera activé.
 - L'alimentation de chaque plaque chauffante vitrée et l'interrupteur marche/arrêt des lampes seront disponibles.
3. Placez l'interrupteur marche/arrêt des lampes sur la position « marche ». Les lampes LED s'allumeront.

ATTENTION

DANGER DE BRÛLURE : Certaines surfaces extérieures de l'appareil deviennent chaudes. Toucher ces zones de l'appareil avec précaution.

NOTA: Les vitrines chauffantes Glo-Ray peuvent être utilisées avec les lampes allumées ou éteintes.

continue...



Panneau de contrôle

4. Tournez les boutons de commande de la température sur le réglage de température désiré pour le socle et pour chaque plaque chauffante vitrée. La plage de température de service est comprise entre la température ambiante et 85°C à 93°C (185° à 200°F) environ.
5. Laissez à l'appareil 30 minutes pour atteindre sa température de fonctionnement avant de placer les produits alimentaires préchauffés.

Arrêt

1. Placez l'interrupteur marche/arrêt de l'alimentation sur la position « arrêt ». Les plaques chauffantes vitrées, les plafonniers ainsi que le socle chauffant s'éteindront.
2. Effectuez la procédure de « nettoyage quotidien » décrite dans la section MAINTENANCE de ce manuel.

MAINTENANCE

Généralités

Les vitrines chauffantes Hatco sont conçues pour offrir une durabilité et des performances maximales avec un minimum d'entretien.

AVERTISSEMENT

DANGER DE DÉCHARGE ÉLECTRIQUE :

- **Débrancher le cordon électrique et laisser l'appareil refroidir avant d'effectuer son entretien ou son nettoyage ou d'essayer de le décoincer.**
- **Si les appareils sont dotés de deux cordons d'alimentation, ces derniers doivent tous deux être débranchés avant d'effectuer tout nettoyage, réglage ou entretien de l'appareil.**
- **NE PAS immerger l'appareil ni le saturer d'eau. L'appareil n'est pas étanche à l'eau. Ne pas le faire fonctionner s'il a été immergé ou saturé d'eau.**
- **Ne pas nettoyer à la vapeur ni utiliser trop d'eau sur l'appareil.**
- **Cet appareil n'est pas étanche aux jets. Ne pas utiliser de jet sous pression pour nettoyer l'appareil.**
- **Ne pas nettoyer l'appareil lorsqu'il est sous tension ou chaud.**
- **Pour les réparations, utiliser exclusivement des pièces de rechange Hatco d'origine. Utilisez des pièces détachées Hatco authentiques sous peine d'annuler toutes les garanties et d'exposer l'utilisateur à des tensions électriques dangereuses pouvant entraîner une électrocution ou des brûlures. Les pièces de rechange Hatco d'origine sont conçues pour fonctionner sans danger dans les environnements dans lesquels elles sont utilisées. Certaines pièces de rechange génériques ou de second marché ne présentent pas les caractéristiques leur permettant de fonctionner sans danger dans la matériel Hatco.**

Cet appareil ne contient aucune pièce réparable par l'utilisateur. Si cet appareil doit être réparé, contacter un réparateur Hatco agréé ou le Service après-vente Hatco au 800-558-0607 ou 414-671-6350.

ATTENTION

Ne déplacez pas et ne bougez pas l'appareil pour le nettoyer. L'appareil est volumineux et lourd.

Nettoyage quotidien

Pour maintenir la performance et préserver le revêtement des vitrines chauffantes, nettoyez l'appareil quotidiennement.

AVIS

Nettoyer chaque jour l'appareil pour éviter les dysfonctionnements et maintenir l'hygiène.

Utiliser uniquement des produits nettoyants non abrasifs. Les produits nettoyants abrasifs peuvent rayer la finition de l'appareil, ce qui altère son apparence et le rend plus susceptible d'accumuler la saleté.

IMPORTANT—N'UTILISEZ JAMAIS une serviette en papier ou un nettoyant pour vitres sur les surfaces en plastique telles que les pare-haleine ou les capots rabattables. Les serviettes en papier et le nettoyant pour vitres peuvent rayer l'équipement. Essuyez les surfaces plastique à l'aide d'un chiffon doux, propre et humide.

1. Mettre l'appareil hors tension, débrancher le cordon d'alimentation, et laisser refroidir l'appareil.
 - Si les appareils sont dotés de deux cordons d'alimentation, ces derniers doivent tous deux être débranchés avant d'effectuer tout nettoyage, réglage ou entretien de l'appareil.
2. Retirez et jetez tous les produits alimentaires restants.
3. Essuyez le socle chauffant à revêtement dur ainsi que toutes les surfaces métalliques à l'aide d'un chiffon propre et humide. Les taches persistantes pourront être retirées à l'aide d'un détergent non-abrasif. Les recoins difficiles d'accès devront être nettoyés à l'aide d'une petite brosse et de savon doux.
4. Nettoyez les plaques chauffantes et les panneaux latéraux vitrés à l'aide d'un produit à vitres et d'un chiffon doux ou d'une serviette en papier.
5. Si votre appareil est équipé de pare-haleine ou de capots rabattables, nettoyez-les à l'aide d'un chiffon doux, de savon doux et d'eau. **AVIS : N'utilisez pas de serviette en papier ou un nettoyant pour vitres sur des surfaces en plastique. Leur contact pourrait rayer votre matériel.**

Disjoncteurs-détecteurs de fuite à la terre

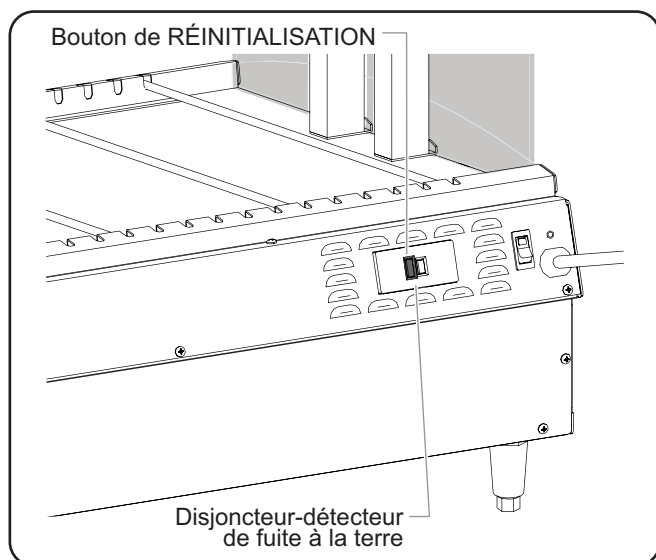
Les vitrines chauffantes sont équipées d'un ou deux disjoncteurs-détecteurs de fuite à la terre (DDFT) intégrés. Les DDFT sont conçus pour couper l'alimentation électrique et éviter d'endommager les composants internes de l'appareil en cas de court-circuit ou de défaillance électrique.

Pour réarmer un DDFT :

1. Vérifiez que l'appareil est branché et que tous les interrupteurs marche/arrêt sont positionnés sur « marche ».
2. Appuyez sur le bouton de réinitialisation.

NOTA: L'appareil doit être branché et sous tension pour pouvoir réinitialiser le DDFT. Si l'appareil est hors tension, la réinitialisation du DDFT sera impossible.

Si l'un des DDFT continue à disjoncter, veuillez contacter une agence de service après-vente Hatco agréée.

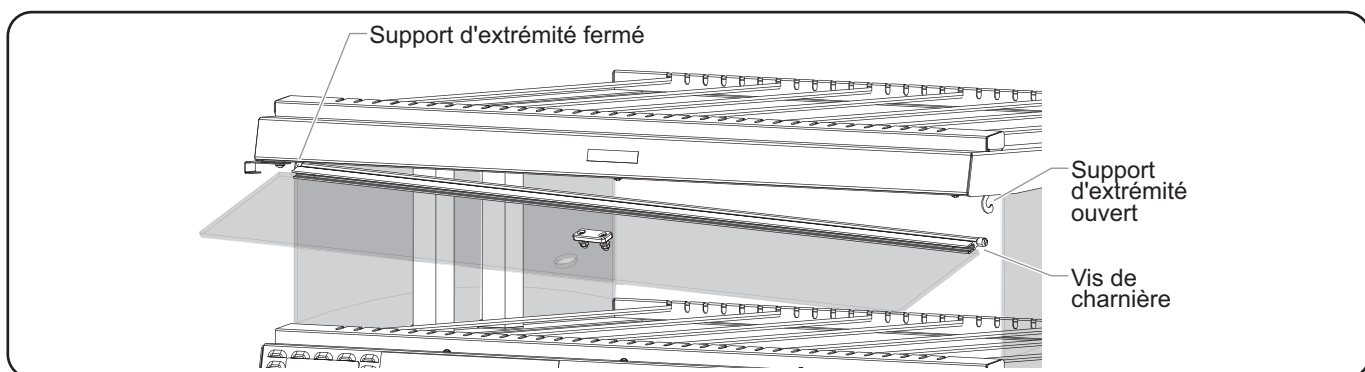


Disjoncteurs-détecteurs de fuite à la terre

Retrait des portes relevables en option

Suivez la procédure suivante pour retirer les portes relevables afin de les nettoyer.

1. Soulevez la vis à charnière afin qu'elle se détache du support d'extrémité ouvert.
2. Lorsque la porte relevable est inclinée vers le bas, faites légèrement coulisser l'autre vis à charnière afin qu'elle se détache du support d'extrémité fermé.



Retrait des portes relevables en option

⚠ AVERTISSEMENT

La réparation de cet appareil doit être confiée exclusivement à du personnel qualifié. Les réparations par des personnes non qualifiées peuvent provoquer des décharges électriques et des brûlures.

⚠ AVERTISSEMENT

DANGER DE DÉCHARGE ÉLECTRIQUE: Débrancher le cordon électrique et laisser l'appareil refroidir avant d'effectuer son entretien ou son nettoyage ou d'essayer de le décoincer.

Symptôme	Cause Probable	Solution
L'appareil est branché, mais ne fonctionne pas.	L'appareil n'est pas allumé.	Placez tous les interrupteurs marche/arrêt de l'alimentation sur la position « marche ».
	Le disjoncteur s'est déclenché.	Redémarrez le disjoncteur. Si le disjoncteur continue de se déclencher, contactez un agent de service agréé ou Hatco pour obtenir de l'aide.
	Le(s) DDFT s'est (se sont) déclenché(s).	Réarmez le DDFT. Si le DDFT continue de disjoncter, contactez une agence de service après-vente agréée ou Hatco pour obtenir de l'aide.
	L'/les interrupteur(s) marche/arrêt de l'alimentation est (sont) défectueux.	Contactez votre agent de maintenance agréé ou Hatco pour assistance.
	La tension d'alimentation à l'appareil est incorrecte.	Vérifiez que la tension d'alimentation au niveau des deux prises correspond aux caractéristiques de l'appareil.
	Défaillance électrique interne.	Contactez votre agent de maintenance agréé ou Hatco pour assistance.
Les lampes de la vitrine ne fonctionnent pas.	L'interrupteur marche/arrêt des lampes est sur la position « arrêt ».	Placez l'interrupteur marche/arrêt des lampes sur la position « marche ».
	Le(s) LED(s) est (sont) défectueux ou grillé(s).	Contactez votre agent de maintenance agréé ou Hatco pour assistance.
Le socle, le rayonnage et/ou l'auvent ne chauffent pas suffisamment.	Le(s) bouton(s) de commande de la température correspondant(s) est (sont) réglé(s) sur une position trop basse.	Réglez le(s) bouton(s) de commande de la température concerné(s) sur une position plus haute.
	Il y a une circulation d'air trop intense autour de l'appareil chauffant.	Déplacez l'appareil ou dirigez la circulation d'air (ex : la gaine de climatisation, le ventilateur d'extraction ou les portes extérieures) à distance de l'appareil.
	Le(s) bouton(s) de commande de la température ne fonctionne(nt) pas correctement.	Contactez votre agent de maintenance agréé ou Hatco pour assistance.
	L'/les élément(s) de chauffage et/ou les plaques chauffantes ne fonctionnent pas.	
Le socle, le rayonnage et/ou l'auvent chauffent trop.	Le(s) bouton(s) de commande de la température correspondant(s) est (sont) réglé(s) sur une position trop haute.	Réglez le(s) bouton(s) de commande de la température concerné(s) sur une position plus basse.
	Le(s) bouton(s) de commande de la température ne fonctionne(nt) pas correctement.	Contactez votre agent de maintenance agréé ou Hatco pour assistance.
	La tension d'alimentation à l'appareil est incorrecte.	Vérifiez que la tension d'alimentation au niveau des deux prises correspond aux caractéristiques de l'appareil.
Les lampes fonctionnent mais ne chauffent pas.	L'/les interrupteur(s) marche/arrêt de l'alimentation est (sont) sur la position « arrêt ».	Placez tous les interrupteurs marche/arrêt de l'alimentation sur la position « marche ».
	Le(s) DDFT s'est (se sont) déclenché(s).	Réarmez le DDFT. Si le DDFT continue de disjoncter, contactez une agence de service après-vente agréée ou Hatco pour obtenir de l'aide.
	Le(s) bouton(s) de commande de la température ne fonctionne(nt) pas correctement.	Contactez votre agent de maintenance agréé ou Hatco pour assistance.
	L'/les élément(s) de chauffage et/ou les plaques chauffantes ne fonctionnent pas.	

Vous avez des questions en ce qui concerne les pannes?

Si le problème persiste, veuillez contacter l'agence d'entretien agréée Hatco la plus proche ou Hatco pour obtenir une assistance. Pour trouver l'agence d'entretien la plus proche, rendez-vous sur le site Internet de Hatco (www.hatcocorp.com) et sélectionnez le menu déroulant *Support (Assistance)*, puis cliquez sur « Find A Service Agent » (trouver un agent d'entretien); ou contactez l'équipe d'entretien et de pièces détachées de Hatco :

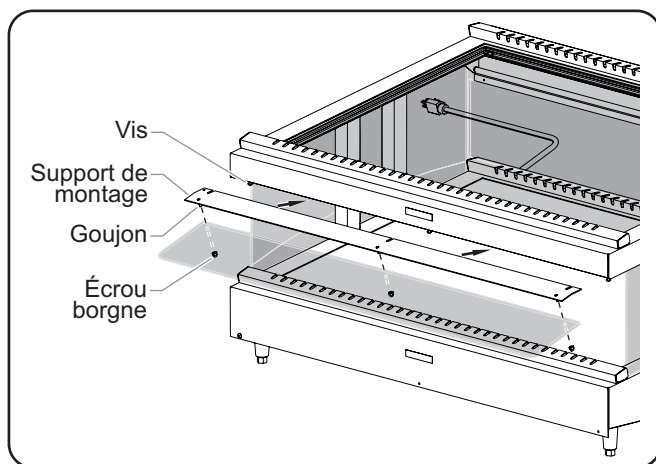
Numéro de téléphone: 800-558-0607 ou 414-671-6350

Courriel: support@hatcocorp.com

Pare-haleine

Des pare-haleine sont disponibles pour tous les modèles en option lors de la commande. Les pare-haleine peuvent être installés sur chaque rayonnage sur le côté client de l'appareil.

1. Retirez le papier de protection des surfaces en acrylique.
2. Installez le support de montage à l'aide des goujons orientés vers l'avant et vers le bas en desserrant les 3 vis situées en dessous de la plaque et en insérant le support dans les fentes, resserrez ensuite les vis.
3. Placez le pare-haleine en acrylique sur le présentoir avec les trous de montage alignés.
4. Fixez le pare-haleine à l'aide des écrous borgnes fournis. Serrez jusqu'à ce qu'il soit bien serré. Ne serrez pas trop fort.



Installation du pare-haleine

Porte-panneau de la plaque

Un porte-panneau (panneau non inclus) est disponible pour la plaque du dessus ou du milieu, du côté des clients. Le porte-panneau de la plaque est disponible en tant qu'option installée en usine uniquement.

Pieds ajustables de 102 mm (4")

Des pieds de 102 mm (4") sont disponibles à la place de ceux de 64 mm (2-1/2") pour des installations qui nécessitent un espace supplémentaire entre l'appareil et le comptoir.

Barres de séparation des produits

Des barres de séparation des produits en acier inoxydable sont disponibles en accessoires.

3SD-DIV Barre de séparation des produits en acier inoxydable

Couleurs tendance

Des couleurs tendance sont disponibles en tant qu'option au moment de la commande.

Panneaux latéraux en plexiglas

Des panneaux latéraux en plexiglas sont disponibles en tant qu'option installée en usine à la place des panneaux latéraux vitrés.

Capots Rabattables

Des capots rabattables sont disponibles pour tous les modèles et peuvent être ajoutés en option lors de la commande. Les capots peuvent être installés sur chaque rayonnage sur le côté client ou sur le côté serveur de l'appareil.

NOTA: La porte doit complètement pivoter vers le haut pour placer les produits.

NOTA: Pour mettre/enlever un produit, utilisez le crochet de la porte pour maintenir la porte rabattable en position ouverte.

Porte-panneau de 305 mm (12") de la plaque du dessus

Un porte-panneau de 305 mm (12") est disponible pour la plaque du dessus uniquement. Le porte-panneau de la plaque du dessus est disponible en tant qu'accessoire et augmente la hauteur de l'appareil de 305 mm (12").

Suivez la procédure suivante pour installer le porte-panneau de la plaque du dessus.

⚠ AVERTISSEMENT

DANGER DE DÉCHARGE ÉLECTRIQUE :

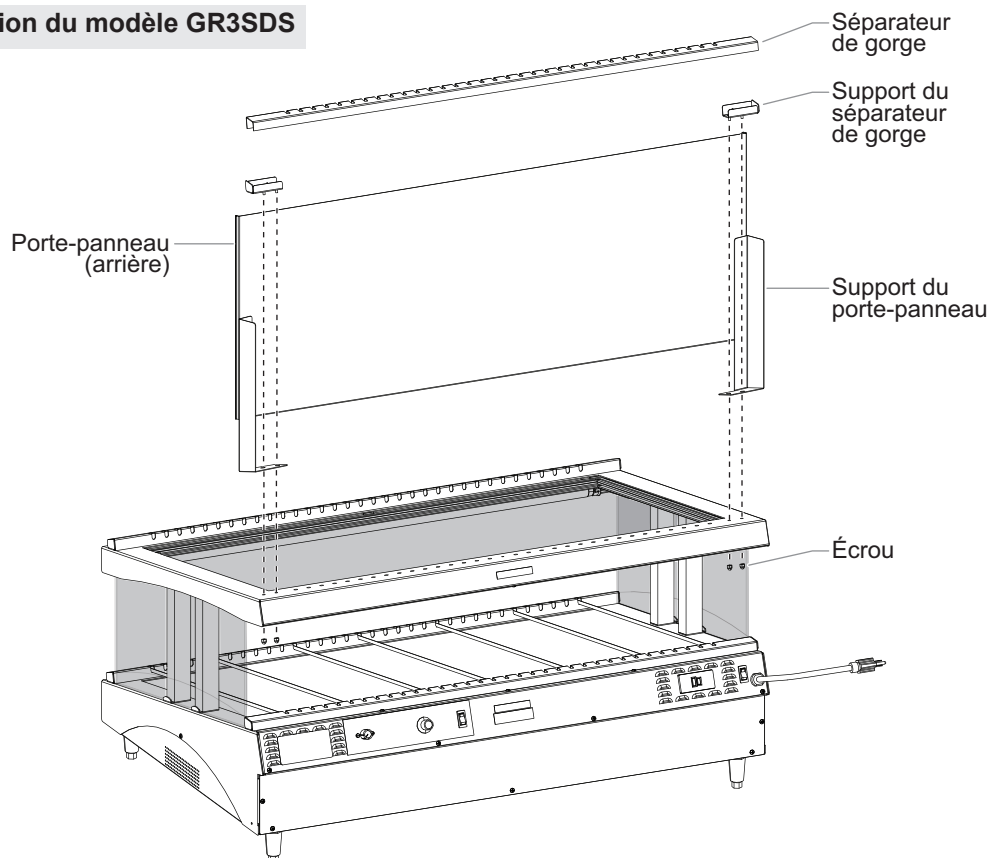
- Éteignez l'appareil et débranchez le cordon d'alimentation de la prise secteur et laissez refroidir avant une maintenance ou un nettoyage.
 - Cet appareil doit uniquement être réparé par un personnel qualifié. Toute réparation par un personnel non qualifié peut entraîner une électrocution et des brûlures.
1. Arrêtez l'appareil et débranchez-le. Laissez refroidir complètement l'appareil.

2. Enlevez les barres de séparation des gorges et les séparateurs de gorge sur le côté du panneau de commande de l'appareil.
3. Enlevez les supports des séparateurs de gorges sur le côté du panneau de commande en retirant les écrous fixant l'appareil.
4. Alignez les trous des supports du porte-panneau de la plaque du dessus avec les trous utilisés pour fixer les supports des séparateurs de gorges.

NOTA: Assurez-vous que le porte-panneau tourne le dos au côté du panneau de commande de l'appareil lorsque vous installez le porte-panneau.

5. Fixez le porte-panneau sur l'appareil.
 - a. Introduisez les goujons des supports des séparateurs de gorges dans les trous des supports du porte-panneau.
 - b. Serrez les écrous sous l'appareil.
6. Placez le séparateur de gorge entre les deux supports des séparateurs de gorges.
7. Installez les barres de séparation des produits dans les séparateurs de gorge si vous le souhaitez. Les barres peuvent être ajustées facilement afin de séparer les zones de conservation selon les besoins.

Illustration du modèle GR3SDS



Installation du porte-panneau de la plaque du dessus

1. GARANTIE DU PRODUIT

Hatco garantit que les produits qu'il fabrique (les « Produits ») sont exempts de défauts de matériel et de fabrication, dans des conditions normales d'utilisation et de maintenance, pour une période d'un (1) an à partir de la date d'achat à condition que l'appareil soit installé et entretenu conformément aux instructions écrites de Hatco ou 18 mois après la date de l'expédition par Hatco. L'acheteur doit prouver la date d'achat du Produit par l'enregistrement de ce dernier auprès de Hatco ou par d'autres moyens satisfaisants pour Hatco, à sa seule discrétion.

Hatco garantit que les composants du Produit suivants sont exempts de défauts de matériel et de fabrication à partir de la date d'achat (sous réserve des conditions précédentes) pour la ou les périodes de temps et en fonction des conditions listées ci-dessous :

- a) **Garantie d'un (1) an pour les pièces et la main-d'œuvre PLUS un (1) an supplémentaire pour les pièces uniquement :**
 Éléments du grille-pain à convoyeur (enveloppe métallique)
 Éléments des tiroirs chauffants (enveloppe métallique)
 Tiroirs, roues et glissières des tiroirs chauffants
 Éléments des rampes chauffantes (enveloppe métallique)
 Éléments des vitrines chauffantes
 (enveloppe métallique, air chauffant)
 Éléments des armoires de stockage
 (enveloppe métallique, air chauffant)
 Éléments des compartiments chauffants —
 série HW et HWB (enveloppe métallique)
- b) **Garantie de deux (2) ans pour les pièces et la main-d'œuvre :**
 Gammas à induction
 Réchauds à induction
- c) **Garantie d'un (1) an pour les pièces et la main-d'œuvre PLUS quatre (4) ans pour les pièces uniquement :**
 Cuves 3CS et FR
- d) **Garantie d'un (1) an pour les pièces et la main-d'œuvre PLUS neuf (9) ans pour les pièces uniquement :**
 Cuves des appareils de chauffage d'appoint électriques
 Cuves des appareils de chauffage d'appoint à gaz
- e) **Garantie de quatre-vingt-dix (90) jours pour les pièces uniquement :**
 Pièces de rechange

LES GARANTIES PRÉCÉDENTES SONT EXCLUSIVES ET REMPLACENT TOUTES AUTRES GARANTIES, EXPRESSES OU IMPLICITES, COMPRENANT, MAIS NE SE LIMITANT PAS, À TOUTES GARANTIES IMPLICITES DE QUALITÉ MARCHANDE OU DE FINALITÉ PARTICULIÈRE OU TOUTS BREVETS OU TOUTES AUTRES ATTEINTES AUX DROITS DE LA PROPRIÉTÉ INTELLECTUELLE. Sans restreindre la portée générale des énoncés précédents, CES GARANTIES NE COUVRENT PAS LES ÉLÉMENTS SUIVANTS : ampoules d'éclairage à incandescence enduites, lumières fluorescentes, ampoules de lampes chauffantes, ampoules d'éclairage à halogène enduites, ampoules de lampes chauffantes au xénon, tubes d'éclairage DEL, composants en verre et fusibles ; défaut de produit dans la cuve d'un appareil de chauffage d'appoint, dans un échangeur de chaleur à tubes à ailettes ou tout autre équipement de chauffage d'eau causé par la calcification, l'accumulation de sédiments, la réaction d'un produit chimique ou le gel ; ou une mauvaise utilisation, une manipulation ou une mauvaise application, une installation inappropriée du Produit ou l'utilisation d'une tension inappropriée.

2. LIMITES DES RECOURS ET DES DOMMAGES

La responsabilité de Hatco et la seule voie de recours de l'Acheteur prévues par les présentes seront limitées exclusivement, au gré de Hatco, à la réparation ou au remplacement à l'aide de pièces ou de Produits nouveaux ou remis à neuf par Hatco ou un centre de réparation agréé par Hatco (sauf si l'Acheteur se situe hors des États-Unis, du Canada, du Royaume-Uni ou de l'Australie, auquel cas la responsabilité de Hatco et la seule voie de recours de l'Acheteur seront limitées exclusivement au remplacement des pièces concernées par la garantie) à l'égard de toute revendication effectuée dans les délais de garantie applicables mentionnés ci-dessus. Hatco se réserve le droit d'accepter ou de rejeter toute réclamation en partie ou dans son intégralité. Dans le cadre de cette Garantie limitée, « remis à neuf » signifie une pièce ou un Produit dont les caractéristiques techniques d'origine ont été restaurées par Hatco ou un centre de réparation agréé par Hatco. Hatco n'acceptera aucun retour de Produits sans qu'il n'ait auparavant donné son accord écrit, et tous ces retours approuvés doivent être effectués aux seuls frais de l'Acheteur. HATCO NE SERA PAS TENU RESPONSABLE, DANS AUCUNE CIRCONSTANCE, DES DOMMAGES CONSÉCUTIFS OU INDIRECTS, COMPRENANT, MAIS NE SE LIMITANT PAS, AUX COÛTS DE MAIN-D'ŒUVRE OU PERTES DE PROFITS DUS À UNE UTILISATION OU À UNE IMPOSSIBILITÉ D'UTILISER LES PRODUITS OU DUS AU FAIT QUE LES PRODUITS ONT ÉTÉ INTÉGRÉS DANS OU QU'ILS SONT DEVENUS UN COMPOSANT DE TOUT AUTRE PRODUIT OU BIEN.

AUTHORIZED PARTS DISTRIBUTORS • DISTRIBUTEURS DE PIÈCES AUTORISÉS

ALABAMA

Jones McLeod Appl. Svc.
Birmingham 205-251-0159

ARIZONA

Tech 24
Phoenix 602-234-2443

Byassee Equipment Co.
Phoenix 602-252-0402

CALIFORNIA

Industrial Electric
Commercial Parts & Service, Inc.
Huntington Beach 714-379-7100

Chapman Appl. Service
San Diego 619-298-7106

P & D Appliance
Commercial Parts & Service, Inc.
S. San Francisco 650-635-1900

COLORADO

Hawkins Commercial Appliance
Englewood 303-781-5548

FLORIDA

Whaley Foodservice Repair
Jacksonville 904-725-7800

Whaley Foodservice Repair
Orlando 407-757-0851

B.G.S.I./Heritage
Pompano Beach 954-971-0456

Comm. Appliance Service
Tampa 813-663-0313

GEORGIA

Heritage Service Group
Norcross 866-388-9837

HAWAII

Burney's Comm. Service, Inc.
Honolulu 808-848-1466

Food Equip Parts & Service
Honolulu 808-847-4871

ILLINOIS

Parts Town
Addison 708-865-7278

Eichenauer Elec. Service
Decatur 217-429-4229

Midwest Elec. Appl. Service
Elmhurst 630-279-8000

Cone's Repair Service
Moline 309-797-5323

IOWA

Goodwin Tucker Group
Des Moines 515-262-9308

KENTUCKY

Tech 24
Lexington 859-254-8854

Tech 24
Louisville 502-451-5411

LOUISIANA

Chandlers Parts & Service
Baton Rouge 225-272-6620

MARYLAND

Electric Motor Service
Baltimore 410-467-8080

MASSACHUSETTS

Ace Service Co. Inc.
Needham 781-449-4220

MICHIGAN

Bildons Appliance Service
Detroit 248-478-3320

Commercial Kitchen Service
Bay City 989-893-4561

Midwest Food Equip. Service
Grandville 616-261-2000

MISSOURI

General Parts
Kansas City 816-421-5400

Commercial Kitchen Services
St. Louis 314-890-0700

Kaemmerlen Parts & Service
St. Louis 314-535-2222

NEBRASKA

Anderson Electric
Omaha 402-341-1414

NEVADA

Burney's Commercial
Las Vegas 702-736-0006

Hi. Tech Commercial Service
N. Las Vegas 702-649-4616

NEW JERSEY

Jay Hill Repair
Fairfield 973-575-9145

Service Plus
Flanders 973-691-6300

NEW YORK

Alpro Service Co.
Maspeth 718-386-2515

Duffy's - AIS
Buffalo 716-884-7425

3Wire
Plattsburgh 800-634-5005

Duffy's - AIS
Sauquoit 800-836-1014

J.B. Brady, Inc.
Syracuse 315-422-9271

NORTH CAROLINA

Authorized Appliance
Charlotte 704-377-4501

OHIO

Akron/Canton Comm. Svc. Inc.
Akron 330-753-6634

Tech 24
Cincinnati 513-772-6600

Commercial Parts and Service
Columbus 614-221-0057

Electrical Appl. Repair Service
Brooklyn Heights 216-459-8700

E. A. Wichman Co.
Toledo 419-385-9121

OKLAHOMA

Hagar Rest. Service, Inc.
Oklahoma City 405-235-2184

OREGON

General Parts Group
Portland 503-624-0890

PENNSYLVANIA

Elmer Schultz Services
Philadelphia 215-627-5401

FAST Comm. Appl. Service
Philadelphia 215-288-4800

AIS Commercial Parts and Service
Pittsburgh 412-809-0244

K & D Service Co.
Harrisburg 717-236-9039

Electric Repair Co.
Reading 610-376-5444

RHODE ISLAND

Marshall Electric Co.
Providence 401-331-1163

SOUTH CAROLINA

Whaley Foodservice Repair
Lexington 803-996-9900

TENNESSEE

Camp Electric
Memphis 901-527-7543

TEXAS

Armstrong Repair Service
Houston 713-666-7100

Cooking Equipment Specialist
Mesquite 972-686-6666

Commercial Kitchen Repair Co.
San Antonio 210-735-2811

UTAH

La Monica's Rest. Equip. Service
Murray 801-263-3221

VIRGINIA

Daubers
Norfolk 757-855-4097

Daubers
Springfield 703-866-3600

WASHINGTON

3Wire
Seattle 800-207-3146

WISCONSIN

A.S.C., Inc.
Madison 608-246-3160

A.S.C., Inc.
Milwaukee 414-543-6460

CANADA

ALBERTA

Key Food Equipment Service
Edmonton 780-438-1690

BRITISH COLUMBIA

Key Food Equipment Service
Vancouver 604-433-4484

Key Food Equipment Service
Victoria 250-920-4888

MANITOBA

Air Rite, Inc.
Winnipeg 204-895-2300

NEW BRUNSWICK

EMR Services, Ltd.
Moncton 506-855-4228

ONTARIO

R.G. Henderson Ltd.
Toronto 416-422-5580

Choquette - CKS, Inc.
Ottawa 613-739-8458

QUÉBEC

Choquette - CKS, Inc.
Montreal 514-722-2000

Choquette - CKS, Inc.
Québec City 418-681-3944

UNITED KINGDOM

Marren Group
Northants +44(0)1933 665313

HATCO CORPORATION

P.O. Box 340500

Milwaukee, WI 53234-0500 U.S.A.

800-558-0607 414-671-6350

support@hatcocorp.com

www.hatcocorp.com

Register your unit online!

See IMPORTANT OWNER INFORMATION
section for details.

Enregistrez votre appareil en ligne !

Lisez la section INFORMATIONS IMPORTANTES POUR
LE PROPRIÉTAIRE pour plus d'informations.