



GLO-RAY[®]

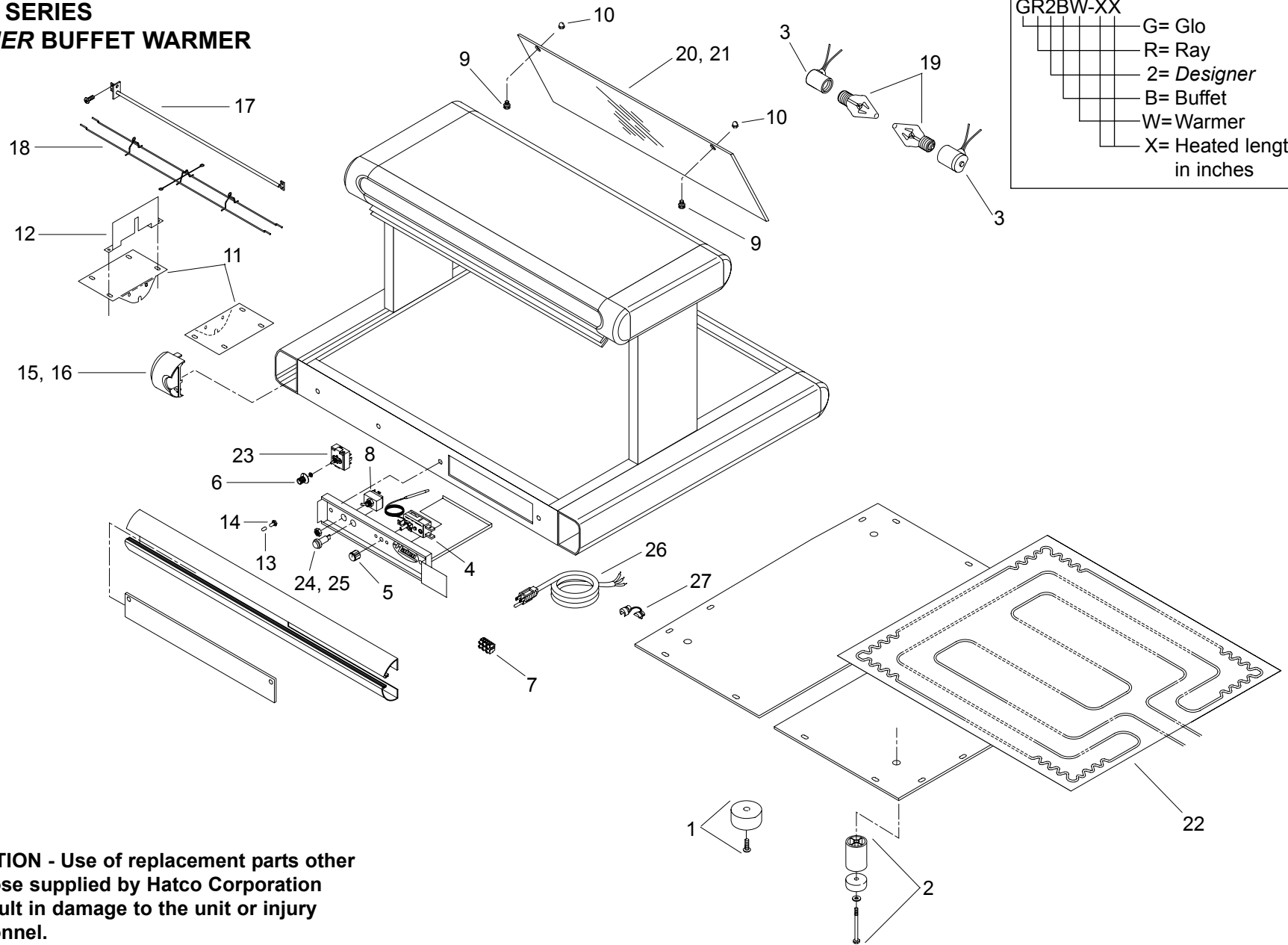
Designer Buffet Warmer

GR2BW Series

<i>GR2BW-24</i>	<i>GR2BW-42</i>	<i>GR2BW-60</i>
<i>GR2BW-30</i>	<i>GR2BW-48</i>	<i>GR2BW-66</i>
<i>GR2BW-36</i>	<i>GR2BW-54</i>	<i>GR2BW-72</i>

**REPLACEMENT
PARTS LIST**

**HATCO GLO-RAY®
GR2BW SERIES
DESIGNER BUFFET WARMER**



Model Designation

GR2BW-XX

G	= Glo
R	= Ray
2	= Designer
B	= Buffet
W	= Warmer
X	= Heated length in inches

⚠ CAUTION - Use of replacement parts other than those supplied by Hatco Corporation may result in damage to the unit or injury to personnel.

PARTS COMMON TO ALL MODELS

ITEM	DESCRIPTION	PART NO.	QTY.	ITEM	DESCRIPTION	PART NO.	QTY.
1	Rubber Foot with Hardware	R05.30.064.00	4	10	Acorn Nut	05.04.105.00	4
2	4" (10 cm) <i>Designer</i> Leg Kit (Optional)	R04.32.173.00	4	11	End Cover	04.08.055.00	2
3	Light Socket	02.30.044.00	2-6	12	Bracket with Insulation	R04.09.056.00	2
4	Thermostat, Base	R02.16.039.00	1	13	Rubber Boot for Toggle Switch, Slip On	02.20.283.00	1
5	Thermostat Knob	05.30.018.00	1	14	Rubber Boot for Toggle Switch, Threaded (Optional)	02.20.040.00	1
6	Infinite Switch Knob	05.30.043.00	1	15	Plastic Bullnose Corner, Grey	04.09.078.00	8
7	Terminal Block	R02.15.030.00	1	16	Plastic Bullnose Corner, Black	04.09.078BK.00	8
8	Toggle Switch	R02.19.008A.00	1				
9	Thumb Screw	05.04.305.00	4				

PARTS SPECIFIC TO GR2BW-24 MODELS

ITEM	DESCRIPTION	100V	120V	120/208V	120/240V	220E	240E	220-230E CE	230-240E CE
17	Heating Element, Upper, 500 Watt	R02.08.561.00	R02.08.101.00	R02.08.101.00	R02.08.101.00	R02.08.136.00	R02.08.103.00	R02.08.136.00	R02.08.103.00
18	Guard, Upper Element	04.08.030.00	04.08.030.00	04.08.030.00	04.08.030.00	04.08.030.00	04.08.030.00	04.08.030.00	04.08.030.00
19	Light Bulb, Shatter Resistant	02.30.043.00	02.30.043.00	02.30.043.00	02.30.043.00	02.30.058.00	02.30.058.00	02.30.058.00	02.30.058.00
20	Breath Protector with Hardware, 8" (20 cm) (Qty. 2)	R04.12.093.00	R04.12.093.00	R04.12.093.00	R04.12.093.00	R04.12.093.00	R04.12.093.00	R04.12.093.00	R04.12.093.00
21	Breath Protector with Hardware, 14" (36 cm) (Qty. 2)	R04.12.177.00	R04.12.177.00	R04.12.177.00	R04.12.177.00	R04.12.177.00	R04.12.177.00	R04.12.177.00	R04.12.177.00
22	Heating Element, Lower, 350 Watt	02.05.513.00	02.05.326.00	02.05.326.00	02.05.326.00	02.05.369.00	02.05.378.00	02.05.369.00	02.05.378.00
23	Infinite Switch (Optional)	R02.19.160.00	R02.19.018.00	R02.19.018.00	R02.19.018.00	R02.19.019.00	R02.19.019.00	R02.19.019.00	R02.19.019.00
24	Indicator Light, Red	02.19.070R.00	02.19.070R.00	02.19.070R.00	02.19.070R.00	02.19.071R.00	02.19.071R.00	---	---
25	Indicator Light, Green	---	---	---	---	---	---	02.19.071G.00	02.19.071G.00
26	Power Cord with Plug	R02.18.030.00	R02.18.030.00	02.18.085.00	02.18.085.00	02.18.077.00	02.18.066.00	02.18.077.00	02.18.066.00
27	Strain Relief	02.20.212.00	02.20.212.00	02.20.212.00	02.20.212.00	02.20.212.00	02.20.212.00	02.20.212.00	02.20.212.00
	Electrical Diagram with Infinite Switch	HS1-5725	HS1-4504	HS1-4505	HS1-4505	HS1-4654	HS1-4655	HS1-4654	HS1-4655
	Electrical Diagram without Infinite Switch	HS1-5724	HS1-4543	HS1-4544	HS1-4544	HS1-4652	HS1-4653	HS1-4652	HS1-4653

Shaded area reflects **export models only**.

PARTS SPECIFIC TO GR2BW-30 MODELS

ITEM	DESCRIPTION	100V	120V	120/208V	120/240V	220E	240E	220-230E CE	230-240E CE
17	Heating Element, Upper, 660 Watt	R02.08.562.00	R02.08.127.00	R02.08.127.00	R02.08.127.00	R02.08.139.00	R02.08.129.00	R02.08.139.00	R02.08.129.00
18	Guard, Upper Element	04.08.029.00	04.08.029.00	04.08.029.00	04.08.029.00	04.08.029.00	04.08.029.00	04.08.029.00	04.08.029.00
19	Light Bulb, Shatter Resistant	02.30.043.00	02.30.043.00	02.30.043.00	02.30.043.00	02.30.058.00	02.30.058.00	02.30.058.00	02.30.058.00
20	Breath Protector with Hardware, 8" (20 cm) (Qty. 2)	R04.12.094.00	R04.12.094.00	R04.12.094.00	R04.12.094.00	R04.12.094.00	R04.12.094.00	R04.12.094.00	R04.12.094.00
21	Breath Protector with Hardware, 14" (36 cm) (Qty. 2)	R04.12.178.00	R04.12.178.00	R04.12.178.00	R04.12.178.00	R04.12.178.00	R04.12.178.00	R04.12.178.00	R04.12.178.00
22	Heating Element, Lower, 450 Watt	02.05.514.00	02.05.327.00	02.05.327.00	02.05.327.00	02.05.370.00	02.05.379.00	02.05.370.00	02.05.379.00
23	Infinite Switch (Optional)	R02.19.160.00	R02.19.018.00	R02.19.018.00	R02.19.018.00	R02.19.019.00	R02.19.019.00	R02.19.019.00	R02.19.019.00
24	Indicator Light, Red	02.19.070R.00	02.19.070R.00	02.19.070R.00	02.19.070R.00	02.19.071R.00	02.19.071R.00	---	---
25	Indicator Light, Green	---	---	---	---	---	---	02.19.071G.00	02.19.071G.00
26	Power Cord with Plug	R02.18.030.00	R02.18.030.00	02.18.085.00	02.18.085.00	02.18.077.00	02.18.066.00	02.18.077.00	02.18.066.00
27	Strain Relief	02.20.212.00	02.20.212.00	02.20.212.00	02.20.212.00	02.20.212.00	02.20.212.00	02.20.212.00	02.20.212.00
	Electrical Diagram with Infinite Switch	HS1-5725	HS1-4504	HS1-4505	HS1-4505	HS1-4654	HS1-4655	HS1-4654	HS1-4655
	Electrical Diagram without Infinite Switch	HS1-5724	HS1-4543	HS1-4544	HS1-4544	HS1-4652	HS1-4653	HS1-4652	HS1-4653

PARTS SPECIFIC TO GR2BW-36 MODELS

ITEM	DESCRIPTION	100V	120V	120/208V	120/240V	220E	240E	220-230E CE	230-240E CE
17	Heating Element, Upper, 800 Watt	R02.08.563.00	R02.08.104.00	R02.08.104.00	R02.08.104.00	R02.08.140.00	R02.08.106.00	R02.08.140.00	R02.08.106.00
18	Guard, Upper Element	04.08.031.00	04.08.031.00	04.08.031.00	04.08.031.00	04.08.031.00	04.08.031.00	04.08.031.00	04.08.031.00
19	Light Bulb, Shatter Resistant	02.30.043.00	02.30.043.00	02.30.043.00	02.30.043.00	02.30.058.00	02.30.058.00	02.30.058.00	02.30.058.00
20	Breath Protector with Hardware, 8" (20 cm) (Qty. 2)	R04.12.095.00	R04.12.095.00	R04.12.095.00	R04.12.095.00	R04.12.095.00	R04.12.095.00	R04.12.095.00	R04.12.095.00
21	Breath Protector with Hardware, 14" (36 cm) (Qty. 2)	R04.12.179.00	R04.12.179.00	R04.12.179.00	R04.12.179.00	R04.12.179.00	R04.12.179.00	R04.12.179.00	R04.12.179.00
22	Heating Element, Lower, 550 Watt	02.05.515.00	02.05.328.00	02.05.328.00	02.05.328.00	02.05.371.00	02.05.380.00	02.05.371.00	02.05.380.00
23	Infinite Switch (Optional)	R02.19.160.00	R02.19.018.00	R02.19.018.00	R02.19.018.00	R02.19.019.00	R02.19.019.00	R02.19.019.00	R02.19.019.00
24	Indicator Light, Red	02.19.070R.00	02.19.070R.00	02.19.070R.00	02.19.070R.00	02.19.071R.00	02.19.071R.00	---	---
25	Indicator Light, Green	---	---	---	---	---	---	02.19.071G.00	02.19.071G.00
26	Power Cord with Plug	R02.18.030.00	R02.18.030.00	02.18.085.00	02.18.085.00	02.18.077.00	02.18.068.00	02.18.077.00	02.18.068.00
27	Strain Relief	02.20.212.00	02.20.212.00	02.20.212.00	02.20.212.00	02.20.212.00	02.20.212.00	02.20.212.00	02.20.212.00
	Electrical Diagram with Infinite Switch	HS1-5725	HS1-4504	HS1-4505	HS1-4505	HS1-4654	HS1-4655	HS1-4654	HS1-4655
	Electrical Diagram without Infinite Switch	HS1-5724	HS1-4543	HS1-4544	HS1-4544	HS1-4652	HS1-4653	HS1-4652	HS1-4653

Shaded area reflects **export models only**.

PARTS SPECIFIC TO GR2BW-42 MODELS

ITEM	DESCRIPTION	100V	120V	120/208V	120/240V	220E	240E	220-230E CE	230-240E CE
17	Heating Element, Upper, 950 Watt	---	R02.08.107.00	R02.08.107.00	R02.08.107.00	R02.08.141.00	R02.08.109.00	R02.08.141.00	R02.08.109.00
18	Guard, Upper Element	---	04.08.032.00	04.08.032.00	04.08.032.00	04.08.032.00	04.08.032.00	04.08.032.00	04.08.032.00
19	Light Bulb, Shatter Resistant	---	02.30.043.00	02.30.043.00	02.30.043.00	02.30.058.00	02.30.058.00	02.30.058.00	02.30.058.00
20	Breath Protector with Hardware, 8" (20 cm) (Qty. 2)	---	R04.12.096.00	R04.12.096.00	R04.12.096.00	R04.12.096.00	R04.12.096.00	R04.12.096.00	R04.12.096.00
21	Breath Protector with Hardware, 14" (36 cm) (Qty. 2)	---	R04.12.150.00	R04.12.150.00	R04.12.150.00	R04.12.150.00	R04.12.150.00	R04.12.150.00	R04.12.150.00
22	Heating Element, Lower, 600 Watt	---	02.05.329.00	02.05.329.00	02.05.329.00	02.05.372.00	02.05.381.00	02.05.372.00	02.05.381.00
23	Infinite Switch (Optional)	---	R02.19.018.00	R02.19.018.00	R02.19.018.00	R02.19.019.00	R02.19.019.00	R02.19.019.00	R02.19.019.00
24	Indicator Light, Red	---	02.19.070R.00	02.19.070R.00	02.19.070R.00	02.19.071R.00	02.19.071R.00	---	---
25	Indicator Light, Green	---	---	---	---	---	---	02.19.071G.00	02.19.071G.00
26	Power Cord with Plug	---	R02.18.030.00	02.18.085.00	02.18.085.00	02.18.077.00	02.18.068.00	02.18.077.00	02.18.068.00
27	Strain Relief	---	02.20.212.00	02.20.212.00	02.20.212.00	02.20.212.00	02.20.212.00	02.20.212.00	02.20.212.00
	Electrical Diagram with Infinite Switch	---	HS1-5725	HS1-4505	HS1-4505	HS1-4654	HS1-4655	HS1-4654	HS1-4655
	Electrical Diagram without Infinite Switch	---	HS1-5724	HS1-4544	HS1-4544	HS1-4652	HS1-4653	HS1-4652	HS1-4653

PARTS SPECIFIC TO GR2BW-48 MODELS

ITEM	DESCRIPTION	100V	120V	120/208V	120/240V	220E	240E	220-230E CE	230-240E CE
17	Heating Element, Upper, 1100 Watt	---	R02.08.110.00	R02.08.110.00	R02.08.110.00	R02.08.142.00	R02.08.112.00	R02.08.142.00	R02.08.112.00
18	Guard, Upper Element	---	04.08.033.00	04.08.033.00	04.08.033.00	04.08.033.00	04.08.033.00	04.08.033.00	04.08.033.00
19	Light Bulb, Shatter Resistant	---	02.30.043.00	02.30.043.00	02.30.043.00	02.30.058.00	02.30.058.00	02.30.058.00	02.30.058.00
20	Breath Protector with Hardware, 8" (20 cm) (Qty. 2)	---	R04.12.097.00	R04.12.097.00	R04.12.097.00	R04.12.097.00	R04.12.097.00	R04.12.097.00	R04.12.097.00
21	Breath Protector with Hardware, 14" (36 cm) (Qty. 2)	---	R04.12.180.00	R04.12.180.00	R04.12.180.00	R04.12.180.00	R04.12.180.00	R04.12.180.00	R04.12.180.00
22	Heating Element, Lower, 700 Watt	---	02.05.330.00	02.05.330.00	02.05.330.00	02.05.373.00	02.05.382.00	02.05.373.00	02.05.382.00
23	Infinite Switch (Optional)	---	R02.19.018.00	R02.19.018.00	R02.19.018.00	R02.19.019.00	R02.19.019.00	R02.19.019.00	R02.19.019.00
24	Indicator Light, Red	---	02.19.070R.00	02.19.070R.00	02.19.070R.00	02.19.071R.00	02.19.071R.00	---	---
25	Indicator Light, Green	---	---	---	---	---	---	02.19.071G.00	02.19.071G.00
26	Power Cord with Plug	---	02.18.083.00	02.18.085.00	02.18.085.00	02.18.077.00	02.18.068.00	02.18.077.00	02.18.068.00
27	Strain Relief	---	02.20.212.00	02.20.212.00	02.20.212.00	02.20.212.00	02.20.212.00	02.20.212.00	02.20.212.00
	Electrical Diagram with Infinite Switch	---	HS1-5725	HS1-4505	HS1-4505	HS1-4654	HS1-4655	HS1-4654	HS1-4655
	Electrical Diagram without Infinite Switch	---	HS1-5724	HS1-4544	HS1-4544	HS1-4652	HS1-4653	HS1-4652	HS1-4653

Shaded area reflects **export models only**.

PARTS SPECIFIC TO GR2BW-54 MODELS

ITEM	DESCRIPTION	100V	120V	120/208V	120/240V	220E	240E	220-230E CE	230-240E CE
17	Heating Element, Upper, 1250 Watt	---	R02.08.125.00	R02.08.125.00	R02.08.125.00	R02.08.142.00	R02.08.112.00	R02.08.142.00	R02.08.112.00
18	Guard, Upper Element	---	04.08.038.00	04.08.038.00	04.08.038.00	04.08.038.00	04.08.038.00	04.08.038.00	04.08.038.00
19	Light Bulb, Shatter Resistant	---	02.30.043.00	02.30.043.00	02.30.043.00	02.30.058.00	02.30.058.00	02.30.058.00	02.30.058.00
20	Breath Protector with Hardware, 8" (20 cm) (Qty. 2)	---	R04.12.098.00	R04.12.098.00	R04.12.098.00	R04.12.098.00	R04.12.098.00	R04.12.098.00	R04.12.098.00
21	Breath Protector with Hardware, 14" (36 cm) (Qty. 2)	---	R04.12.181.00	R04.12.181.00	R04.12.181.00	R04.12.181.00	R04.12.181.00	R04.12.181.00	R04.12.181.00
22	Heating Element, Lower, 800 Watt	---	02.05.331.00	02.05.331.00	02.05.331.00	02.05.373.00	02.05.382.00	02.05.373.00	02.05.382.00
23	Infinite Switch (Optional)	---	R02.19.018.00	R02.19.018.00	R02.19.018.00	R02.19.019.00	R02.19.019.00	R02.19.019.00	R02.19.019.00
24	Indicator Light, Red	---	02.19.070R.00	02.19.070R.00	02.19.070R.00	02.19.071R.00	02.19.071R.00	---	---
25	Indicator Light, Green	---	---	---	---	---	---	02.19.071G.00	02.19.071G.00
26	Power Cord with Plug	---	02.18.083.00	02.18.085.00	02.18.085.00	02.18.077.00	02.18.068.00	02.18.077.00	02.18.068.00
27	Strain Relief	---	02.20.206.00	02.20.212.00	02.20.212.00	02.20.212.00	02.20.212.00	02.20.212.00	02.20.212.00
	Electrical Diagram with Infinite Switch	---	HS1-5725	HS1-4505	HS1-4505	HS1-4654	HS1-4655	HS1-4654	HS1-4655
	Electrical Diagram without Infinite Switch	---	HS1-5724	HS1-4544	HS1-4544	HS1-4652	HS1-4653	HS1-4652	HS1-4653

PARTS SPECIFIC TO GR2BW-60 MODELS

ITEM	DESCRIPTION	100V	120V	120/208V	120/240V	220E	240E	220-230E CE	230-240E CE
17	Heating Element, Upper, 1400 Watt	---	---	R02.08.113.00	R02.08.113.00	R02.08.144.00	R02.08.115.00	R02.08.144.00	R02.08.115.00
18	Guard, Upper Element	---	---	04.08.034.00	04.08.034.00	04.08.034.00	04.08.034.00	04.08.034.00	04.08.034.00
19	Light Bulb, Shatter Resistant	---	---	02.30.043.00	02.30.043.00	02.30.058.00	02.30.058.00	02.30.058.00	02.30.058.00
20	Breath Protector with Hardware, 8" (20 cm) (Qty. 2)	---	---	R04.12.099.00	R04.12.099.00	R04.12.099.00	R04.12.099.00	R04.12.099.00	R04.12.099.00
21	Breath Protector with Hardware, 14" (36 cm) (Qty. 2)	---	---	R04.12.182.00	R04.12.182.00	R04.12.182.00	R04.12.182.00	R04.12.182.00	R04.12.182.00
22	Heating Element, Lower, 900 Watt	---	---	02.05.332.00	02.05.332.00	02.05.375.00	02.05.384.00	02.05.375.00	02.05.384.00
23	Infinite Switch (Optional)	---	---	R02.19.018.00	R02.19.018.00	R02.19.019.00	R02.19.019.00	R02.19.019.00	R02.19.019.00
24	Indicator Light, Red	---	---	02.19.070R.00	02.19.070R.00	02.19.071R.00	02.19.071R.00	---	---
25	Indicator Light, Green	---	---	---	---	---	---	02.19.071G.00	02.19.071G.00
26	Power Cord with Plug	---	---	02.18.085.00	02.18.085.00	02.18.038.00	02.18.068.00	02.18.038.00	02.18.068.00
27	Strain Relief	---	---	02.20.212.00	02.20.212.00	02.20.212.00	02.20.212.00	02.20.212.00	02.20.212.00
	Electrical Diagram with Infinite Switch	---	---	HS1-4505	HS1-4505	HS1-4654	HS1-4655	HS1-4654	HS1-4655
	Electrical Diagram without Infinite Switch	---	---	HS1-4544	HS1-4544	HS1-4652	HS1-4653	HS1-4652	HS1-4653

Shaded area reflects **export models only**.

PARTS SPECIFIC TO GR2BW-66 MODELS

ITEM	DESCRIPTION	100V	120V	120/208V	120/240V	220E	240E	220-230E CE	230-240E CE
17	Heating Element, Upper, 1560 Watt	---	---	R02.08.132.00	R02.08.132.00	R02.08.145.00	R02.08.134.00	R02.08.145.00	R02.08.134.00
18	Guard, Upper Element	---	---	04.08.040.00	04.08.040.00	04.08.040.00	04.08.040.00	04.08.040.00	04.08.040.00
19	Light Bulb, Shatter Resistant	---	---	02.30.043.00	02.30.043.00	02.30.058.00	02.30.058.00	02.30.058.00	02.30.058.00
20	Breath Protector with Hardware, 8" (20 cm) (Qty. 2)	---	---	R04.12.100.00	R04.12.100.00	R04.12.100.00	R04.12.100.00	R04.12.100.00	R04.12.100.00
21	Breath Protector with Hardware, 14" (36 cm) (Qty. 2)	---	---	R04.12.183.00	R04.12.183.00	R04.12.183.00	R04.12.183.00	R04.12.183.00	R04.12.183.00
22	Heating Element, Lower, 1000 Watt	---	---	02.05.333.00	02.05.333.00	02.05.376.00	02.05.385.00	02.05.376.00	02.05.385.00
23	Infinite Switch (Optional)	---	---	R02.19.018.00	R02.19.018.00	R02.19.019.00	R02.19.019.00	R02.19.019.00	R02.19.019.00
24	Indicator Light, Red	---	---	02.19.070R.00	02.19.070R.00	02.19.071R.00	02.19.071R.00	---	---
25	Indicator Light, Green	---	---	---	---	---	---	02.19.071G.00	02.19.071G.00
26	Power Cord with Plug	---	---	02.18.085.00	02.18.085.00	02.18.038.00	02.18.068.00	02.18.038.00	02.18.068.00
27	Strain Relief	---	---	02.20.212.00	02.20.212.00	02.20.212.00	02.20.212.00	02.20.212.00	02.20.212.00
	Electrical Diagram with Infinite Switch	---	---	HS1-4505	HS1-4505	HS1-4654	HS1-4655	HS1-4654	HS1-4655
	Electrical Diagram without Infinite Switch	---	---	HS1-4544	HS1-4544	HS1-4652	HS1-4653	HS1-4652	HS1-4653

PARTS SPECIFIC TO GR2BW-72 MODELS

ITEM	DESCRIPTION	100V	120V	120/208V	120/240V	220E	240E	220-230E CE	230-240E CE
17	Heating Element, Upper, 1725 Watt	---	---	R02.08.116D.00	R02.08.116D.00	R02.08.148.00	R02.08.118.00	R02.08.148.00	R02.08.118.00
18	Guard, Upper Element	---	---	04.08.035.00	04.08.035.00	04.08.035.00	04.08.035.00	04.08.035.00	04.08.035.00
19	Light Bulb, Shatter Resistant	---	---	02.30.043.00	02.30.043.00	02.30.058.00	02.30.058.00	02.30.058.00	02.30.058.00
20	Breath Protector with Hardware, 8" (20 cm) (Qty. 2)	---	---	R04.12.101.00	R04.12.101.00	R04.12.101.00	R04.12.101.00	R04.12.101.00	R04.12.101.00
21	Breath Protector with Hardware, 14" (36 cm) (Qty. 2)	---	---	R04.12.184.00	R04.12.184.00	R04.12.184.00	R04.12.184.00	R04.12.184.00	R04.12.184.00
22	Heating Element, Lower, 1100 Watt	---	---	02.05.334.00	02.05.334.00	02.05.377.00	02.05.386.00	02.05.377.00	02.05.386.00
23	Infinite Switch (Optional)	---	---	R02.19.018.00	R02.19.018.00	R02.19.019.00	R02.19.019.00	R02.19.019.00	R02.19.019.00
24	Indicator Light, Red	---	---	02.19.070R.00	02.19.070R.00	02.19.071R.00	02.19.071R.00	---	---
25	Indicator Light, Green	---	---	---	---	---	---	02.19.071G.00	02.19.071G.00
26	Power Cord with Plug	---	---	02.18.085.00	02.18.085.00	02.18.038.00	02.18.068.00	02.18.038.00	02.18.068.00
27	Strain Relief	---	---	02.20.212.00	02.20.212.00	02.20.212.00	02.20.212.00	02.20.212.00	02.20.212.00
	Electrical Diagram with Infinite Switch	---	---	HS1-4505	HS1-4505	HS1-4654	HS1-4655	HS1-4654	HS1-4655
	Electrical Diagram without Infinite Switch	---	---	HS1-4544	HS1-4544	HS1-4652	HS1-4653	HS1-4652	HS1-4653

Shaded area reflects **export models only**.

HATCO AUTHORIZED PARTS DISTRIBUTORS

ALABAMA

Jones McLead Appl. Svc.
Birmingham 205-251-0159

ARIZONA

Auth. Comm. Food Equip.
Phoenix 602-234-2443
Byassee Equipment Co.
Phoenix 602-252-0402

CALIFORNIA

Industrial Electric
Huntington Beach 714-379-7100
Chapman Appl. Service
San Diego 619-298-7106
P & D Appliance
S. San Francisco 650-635-1900

COLORADO

Hawkins Commercial Appliance
Englewood 303-781-5548

DELAWARE

Food Equipment Service
Wilmington 302-996-9363

FLORIDA

Whaley Foodservice Repair
Jacksonville 904-725-7800
Nass Service Co., Inc.
Orlando 407-425-2681
B.G.S.I.
Pompano Beach 954-971-0456
Comm. Appliance Service
Tampa 813-663-0313

GEORGIA

Southeastern Rest. Svc.
Norcross 770-446-6177

HAWAII

Burney's Comm. Service, Inc.
Honolulu 808-848-1466
Food Equip Parts & Service
Honolulu 808-847-4871

ILLINOIS

Parts Town
Lombard 708-865-7278
Eichenauer Elec. Service
Decatur 217-429-4229
Midwest Elec. Appl. Service
Elmhurst 630-279-8000
Cone's Repair Service
Moline 309-797-5323

INDIANA

GCS Service
Indianapolis 317-545-9655

IOWA

Electric Motor Service Co.
Davenport 319-323-1823

KENTUCKY

GCS Service
Louisville 502-367-1788

LOUISIANA

Chandlers Parts & Service
Baton Rouge 225-272-6620
Bana Comm. Parts, Inc.
Shreveport 318-631-6550

MARYLAND

Electric Motor Service
Baltimore 410-467-8080
GCS Service
Silver Spring 301-585-7550

MASSACHUSETTS

Ace Service Co., Inc.
Needham 781-449-4220

MICHIGAN

Commercial Kitchen Service
Bay City 517-893-4561
Bildons Appliance Service
Detroit 248-478-3320
Midwest Food Equip. Service
Grandville 616-261-2000

MINNESOTA

GCS Service
Minneapolis 612-546-4221

MISSOURI

GCS Service
Kansas City 816-920-5999
Commercial Kitchen Services
St. Louis 314-890-0700
Kaemmerlen Parts & Service
St. Louis 314-535-2222

NEBRASKA

Anderson Electric
Omaha 402-341-1414

NEVADA

Burney's Commercial
Las Vegas 702-736-0006
Hi. Tech Commercial Service
N. Las Vegas 702-649-4616

NEW JERSEY

Jay Hill Repair
Fairfield 973-575-9145
Service Plus
Flanders 973-691-6300

NEW YORK

Acme American Repairs, Inc.
Brooklyn 718-456-6544
Alpro Service Co.
Brooklyn 718-386-2515
Appliance Installation
Buffalo 716-884-7425
Northern Parts Dist.
Plattsburgh 518-563-3200
J. B. Brady, Inc.
Syracuse 315-422-9271

NORTH CAROLINA

Authorized Appliance
Charlotte 704-377-4501

OHIO

Akron/Canton Comm. Svc. Inc.
Akron 330-753-6635
Certified Service Center
Cincinnati 513-772-6600
GCS Service
Columbus 614-476-3225
Electrical Appl. Repair Service
Independence 216-459-8700
E. A. Wichman Co.
Toledo 419-385-9121

OKLAHOMA

Hagar Rest. Service, Inc.
Oklahoma City 405-235-2184
Krueger, Inc.
Oklahoma City 405-528-8883

OREGON

Bressie Electric Co.
Portland 503-231-7171
Ron's Service, Inc.
Portland 503-624-0890

PENNSYLVANIA

Authorized Factory Service
Coraopolis 412-262-2330
FAST Comm. Appl. Service
Philadelphia 215-288-4800

GCS Service
Pittsburgh 412-787-1970

K & D Service Co.
Harrisburg 717-236-9039

Elmer Schultz Services
Philadelphia 215-627-5401

Electric Repair Co.
Reading 610-376-5444

RHODE ISLAND

Marshall Electric Co.
Providence 401-331-1163

SOUTH CAROLINA

Whaley Foodservice Repair
W. Columbia 803-791-4420

TENNESSEE

Camp Electric
Memphis 901-527-7543

TEXAS

Stove Parts Supply
Fort Worth 817-831-0381

Armstrong Repair Service
Houston 713-666-7100

Commercial Kitchen Repair Co.
San Antonio 210-735-2811

San Antonio Rest. Equip.
San Antonio 210-532-1660

UTAH

GCS Service
Salt Lake City 801-487-3653

VIRGINIA

Daubers
Norfolk 757-855-4097

Daubers
Springfield 703-866-3600

WASHINGTON

Restaurant Appl. Service
Seattle 206-524-8200

WISCONSIN

A.S.C., Inc.
Madison 608-246-3160

A.S.C., Inc.
Milwaukee 414-543-6460

CANADA

BRITISH COLUMBIA

Key Food Equipment Service
Vancouver 604-433-4484

ONTARIO

R.G. Henderson Ltd.
Toronto 416-422-5580

HATCO CORPORATION

P.O. Box 340500, Milwaukee, WI 53234-0500 U.S.A.

(800) 558-0607 (414) 671-6350

Parts & Service Fax (800) 690-2966 Int'l. Fax (414) 671-3976

www.hatcocorp.com