



# Flav-R-Savor<sup>®</sup>

## Convected Display Cabinets

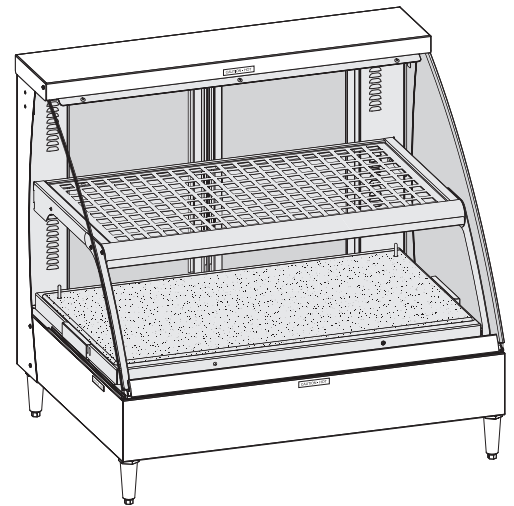
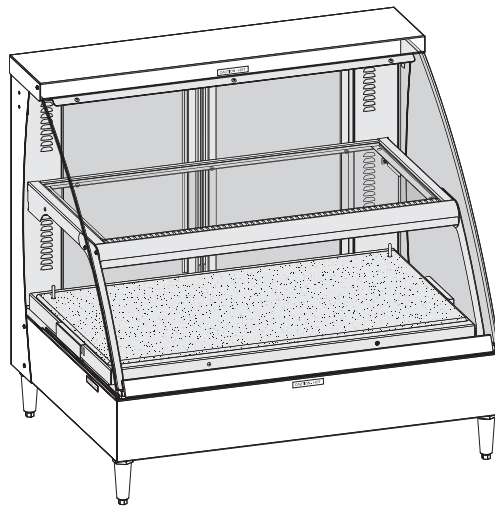
### *FSCD and FSCDH Series*

---

FSCD-2PD

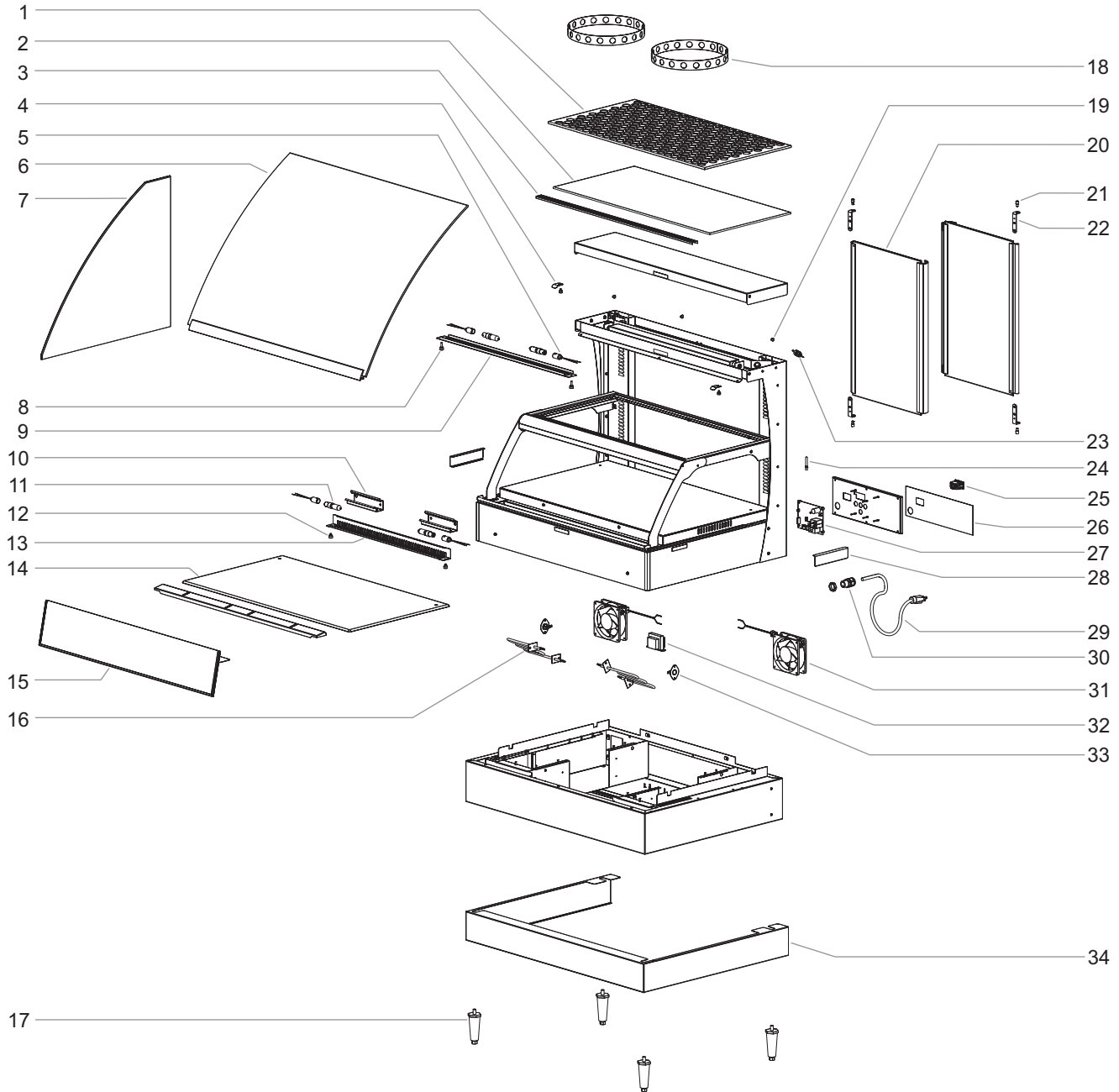
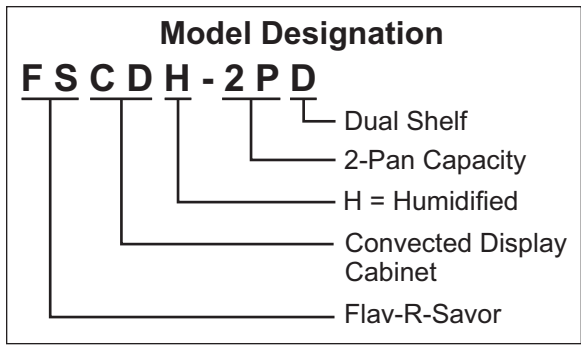
FSCDH-2PD

---



## Replacement Parts List

**FLAV-R-SAVOR® CONVECTED DISPLAY CABINETS**  
**FSCD and FSCDH Series**



24 Hour 7 Day Parts and Service Assistance available in the United States and Canada by calling (800) 558-0607.



**Use of replacement parts other than those supplied by Hatco Corporation may result in damage to unit or injury to personnel and will void all warranties.**

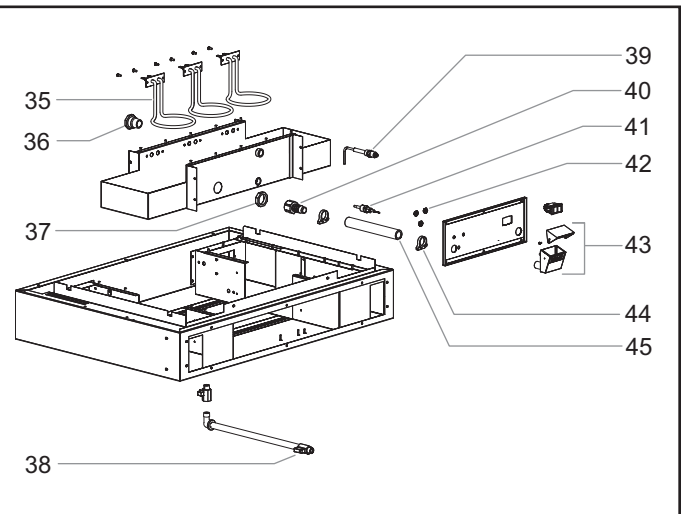
## PARTS COMMON TO ALL MODELS

| Item | Description                 | Part Number    | Qty. |
|------|-----------------------------|----------------|------|
| 1    | Metal Shelf (standard)      | 04.22.754.00   | 1    |
| 2    | Glass Shelf (optional)      | 04.40.398.00   | 1    |
| 3    | Front Air Vent (optional)   | 04.22.728.00   | 1    |
| 4    | Bracket, Glass Retainer     | R04.22.785.00  | 2    |
| 5    | Lamp Socket                 | 02.30.169.00   | 4    |
| 6    | Curved Glass Assembly       | R04.40.323.00  | 1    |
| 7    | Side Panel, Glass           | 04.40.298.00   | 2    |
| 8    | Thumbscrew, 1/2"            | 05.04.219.00   | 2    |
| 9    | Lamp Guard, Upper           | 04.22.639.00   | 1    |
| 10   | Lamp Cover                  | 04.22.636.00   | 1    |
| 11   | Lamp, 50 W, 120 V           | 02.30.168.00   | 4    |
| 12   | Thumbscrew, 3/16"           | 05.04.140.00   | 2    |
| 13   | Lamp Guard, Lower           | 04.22.637.00   | 1    |
| 14   | Stone Base Shelf, Night Sky | 04.39.181.22   | 1    |
| 15   | Sign Holder, Black          | 04.22.776.01   | 1    |
| 16   | Coiled Element, 120V        | R02.08.010A.00 | 2    |
| 17   | Legs, 4"                    | 05.30.007.00   | 4    |
| 18   | Pan Riser (accessory)       | 04.22.791.00   | 2    |
| 19   | Bumper, Rubber              | 04.17.688.00   | 11   |

| Item | Description                          | Part Number   | Qty. |
|------|--------------------------------------|---------------|------|
| 20   | Door Assembly, Black                 | R04.40.379.01 | 2    |
| 21   | Hinge Pin                            | 04.24.023.00  | 4    |
| 22   | Hinge Mounting Bracket               | 04.24.020.00  | 4    |
| 23   | Temperature Probe                    | 02.01.203.00  | 1    |
| 24   | Pin-Divider                          | 05.04.150.00  | 2    |
| 25   | Switch, Rocker, 125/250 V            | 02.19.015.00  | 1    |
| 26   | Decal, Control Panel, Humidified     | 07.03.730.00  | 1    |
|      | Decal, Control Panel, Non-humidified | 07.03.748.00  | 1    |
| 27   | Thermostat                           | 02.01.273.00  | 1    |
| 28   | Air Baffle                           | 04.22.713.00  | 2    |
| 29   | Cord and Plug, Humidified            | 02.18.128.00  | 1    |
|      | Cord and Plug, Non-humidified        | 02.18.089.00  | 1    |
| 30   | Cord Grip                            | 02.20.259.00  | 1    |
| 31   | Blower Motor, 120V, 60Hz             | R02.12.001.00 | 2    |
| 32   | Transformer, 120V                    | 02.17.022.00  | 1    |
| 33   | Thermostat Limit                     | 02.16.161.00  | 2    |
| 34   | Base Skirt, Black                    | 04.22.796.01  | 1    |
|      | Wiring Diagram, Humidified           | 10-01-992     |      |
|      | Wiring Diagram, Non-humidified       | 10-01-1018    |      |

## PARTS SPECIFIC TO HUMIDIFIED MODELS

| Item | Description                  | Part Number   | Qty. |
|------|------------------------------|---------------|------|
| 35   | Water Element, 120 V, 325 W  | R02.05.006.00 | 3    |
| 36   | Fitting, 3/4" Bulkhead       | 03.40.022.00  | 1    |
| 37   | Jam Nut, 3/4" Bulkhead       | 03.40.023.00  | 1    |
| 38   | Valve, 3/8" Brass Ball       | 03.40.105.00  | 1    |
| 39   | Probe, Low Water Cutoff      | 02.40.045.00  | 1    |
| 40   | Hosebarb, 3/4 NPT            | 03.40.058.00  | 1    |
| 41   | Probe, Temperature           | 02.01.204.00  | 1    |
| 42   | Nut, 1/4"                    | 05.04.324.00  | 3    |
| 43   | Fill Cup Assembly            | R05.30.050.00 | 1    |
| 44   | Hose Clamp, Nylon            | 05.04.354.00  | 2    |
| 45   | Tubing, 3/4" (7-1/2" length) | 03.40.051.00  | 1    |



NOTE: The last four digits in a ten digit numerical serial number are the manufacturing date code.

Example: Serial number 9625060951 has a date code of "0951" which indicates the following: 0951

└─ Week Fifty-One  
└─ Year 2009

# HATCO AUTHORIZED PARTS DISTRIBUTORS

## ALABAMA

Jones McLeod Appl. Svc.  
Birmingham 205-251-0159

## ARIZONA

Service Solutions Group  
Phoenix 602-234-2443

Byassee Equipment Co.  
Phoenix 602-252-0402

## CALIFORNIA

Industrial Electric  
Commercial Parts & Service, Inc.  
Huntington Beach 714-379-7100

Chapman Appl. Service  
San Diego 619-298-7106

P & D Appliance  
Commercial Parts & Service, Inc.  
S. San Francisco 650-635-1900

## COLORADO

Hawkins Commercial Appliance  
Englewood 303-781-5548

## FLORIDA

Whaley Foodservice Repair  
Jacksonville 904-725-7800

3Wire Nass Service Co., Inc.  
Orlando 407-425-2681

B.G.S.I.  
Pompano Beach 954-971-0456

Comm. Appliance Service  
Tampa 813-663-0313

## GEORGIA

TWC Services  
Mableton 770-438-9797

Heritage Service Group  
Norcross 866-388-9837

Southeastern Rest. Svc.  
Norcross 770-446-6177

## HAWAII

Burney's Comm. Service, Inc.  
Honolulu 808-848-1466

Food Equip Parts & Service  
Honolulu 808-847-4871

## ILLINOIS

Parts Town  
Lombard 708-865-7278

Eichenauer Elec. Service  
Decatur 217-429-4229

Midwest Elec. Appl. Service  
Elmhurst 630-279-8000

Cone's Repair Service  
Moline 309-797-5323

## INDIANA

GCS Service  
Indianapolis 317-545-9655

## IOWA

Electric Motor Service Co.  
Davenport 319-323-1823

Goodwin Tucker Group  
Des Moines 515-262-9308

## KENTUCKY

Service Solutions Group  
Lexington 859-254-8854

Service Solutions Group  
Louisville 502-451-5411

## LOUISIANA

Chandlers Parts & Service  
Baton Rouge 225-272-6620

## MARYLAND

Electric Motor Service  
Baltimore 410-467-8080

GCS Service  
Silver Spring 301-585-7550

## MASSACHUSETTS

Ace Service Co., Inc.  
Needham 781-449-4220

## MICHIGAN

Bildons Appliance Service  
Detroit 248-478-3320

Commercial Kitchen Service  
Bay City 517-893-4561

Midwest Food Equip. Service  
Grandville 616-261-2000

## MINNESOTA

GCS Service  
Plymouth 800-345-4221

## MISSOURI

General Parts  
Kansas City 816-421-5400

Commercial Kitchen Services  
St. Louis 314-890-0700

Kaemmerlen Parts & Service  
St. Louis 314-535-2222

## NEBRASKA

Anderson Electric  
Omaha 402-341-1414

## NEVADA

Burney's Commercial  
Las Vegas 702-736-0006

Hi. Tech Commercial Service  
N. Las Vegas 702-649-4616

## NEW JERSEY

Jay Hill Repair  
Fairfield 973-575-9145

Service Plus  
Flanders 973-691-6300

## NEW YORK

Acme American Repairs, Inc.  
Brooklyn 718-456-6544

Alpro Service Co.  
Brooklyn 718-386-2515

Appliance Installation  
Buffalo 716-884-7425

Duffy's Equipment Services, Inc.  
Buffalo 800-836-1014

3Wire Northern  
Plattsburgh 800-634-5005

Duffy's Equipment Services, Inc.  
Sauquoit 800-836-1014

J.B. Brady, Inc.  
Syracuse 315-422-9271

## NORTH CAROLINA

Authorized Appliance  
Charlotte 704-377-4501

## OHIO

Akron/Canton Comm. Svc. Inc.  
Akron 330-753-6635

Service Solutions Group  
Cincinnati 513-772-6600

Commercial Parts and Service  
Columbus 614-221-0057

Electrical Appl. Repair Service  
Brooklyn Heights 216-459-8700

E. A. Wichman Co.  
Toledo 419-385-9121

## OKLAHOMA

Hagar Rest. Service, Inc.  
Oklahoma City 405-235-2184

Krueger, Inc.  
Oklahoma City 405-528-8883

## OREGON

Ron's Service, Inc.  
Portland 503-624-0890

## PENNSYLVANIA

Elmer Schultz Services  
Philadelphia 215-627-5401

FAST Comm. Appl. Service  
Philadelphia 215-288-4800

Appliance Installation & Service  
Pittsburgh 412-809-0244

K & D Service Co.  
Harrisburg 717-236-9039

Electric Repair Co.  
Reading 610-376-5444

## RHODE ISLAND

Marshall Electric Co.  
Providence 401-331-1163

## SOUTH CAROLINA

Whaley Foodservice Repair  
W. Columbia 803-791-4420

## TENNESSEE

Camp Electric  
Memphis 901-527-7543

## TEXAS

GCS Service  
Fort Worth 800-433-1804

Armstrong Repair Service  
Houston 713-666-7100

Cooking Equipment Specialist  
Mesquite 888-866-9276

Refrigerated Specialist, Inc.  
Mesquite 888-866-9276

Commercial Kitchen Repair Co.  
San Antonio 210-735-2811

## UTAH

La Monica's Rest. Equip. Service  
Murray 801-263-3221

## VIRGINIA

Daubers  
Norfolk 757-855-4097

Daubers  
Springfield 703-866-3600

## WASHINGTON

3Wire Restaurant Appliance  
Seattle 800-207-3146

## WISCONSIN

A.S.C., Inc.  
Madison 608-246-3160

A.S.C., Inc.  
Milwaukee 414-543-6460

## CANADA

### ALBERTA

Key Food Equipment Service  
Edmonton 780-438-1690

### BRITISH COLUMBIA

Key Food Equipment Service  
Vancouver 604-433-4484

Key Food Equipment Service  
Victoria 250-920-4888

### MANITOBA

Air Rite, Inc.  
Winnipeg 204-895-2300

### NEW BRUNSWICK

EMR Services, Ltd.  
Moncton 506-855-4228

### ONTARIO

R.G. Henderson Ltd.  
Toronto 416-422-5580

Choquette - CKS, Inc.  
Ottawa 613-739-8458

### QUÉBEC

Choquette - CKS, Inc.  
Montreal 514-722-2000

Choquette - CKS, Inc.  
Québec City 418-681-3944

## UNITED KINGDOM

Marren Group  
Northants +44(0)1933 665313

HATCO CORPORATION  
P.O. Box 340500  
Milwaukee, WI 53234-0500 U.S.A.  
Telephone (414) 671-6350  
International Fax (414) 671-3976  
partsandservice@hatcocorp.com  
www.hatcocorp.com

**Register your unit online!**  
See IMPORTANT OWNER INFORMATION  
section for details.