



OPERATING & SERVICE PARTS MANUAL
200ES ENERGY SMART WRAPPER



200ES-C6SSSSD

**pictured with optional Paper Cutter*

READ ALL INSTRUCTIONS CAREFULLY BEFORE OPERATING EQUIPMENT

TABLE OF CONTENTS



Machine Components & Electrical Requirements	3
Preliminary Setup	5
Cradle Mount Film Setup	
Recommended Maintenance	6
Guide For Optional Paper Cutter	7
Troubleshooting Guide	8
Control Board Assembly	10
Service Parts Information	12
Major Assemblies	
Electrical Box Components	

ENERGY SMART TECHNOLOGY

- The Energy Smart Wrapper is an innovative system that incorporates an “Instant On” seal plate with the ability to go from ambient, to sealing temperature in seconds. The wrapper uses a photo eye to see when a store associate is wrapping a package and initiates a heat cycle (approximately 3 seconds). After the cycle, the wrapper stops heating to conserve energy.
- Heat Seal tests all seal plates before they ship.
- Due to the advancement of this technology, it is important to maintain the non-stick cover in good condition. It is recommended to replace the cover once every 3 months to maintain a sanitary surface

HOT ROD HEAT UP

- First, place the desired film in cradle mounts and thread the film up through the machine according to the diagram on the right side of the unit.
- Plug in the power cord. There is a switch on the right side of the electrical box that you may turn on.
- Turning on the unit will allow the film cutting rod (1) to begin to heat, it will take a few minutes to get up to optimal cutting temperature.
- Caution: The film cutting rod will continue to heat while the wrapper is turned on, so contact by any objects other than the film should be avoided.

PHOTOEYE ACTUATED HEATER

- The heat cycle in the seal plate (2) begins when a package is placed in front of the photo-eye on the seal plate.
- This feature ensures that the seal plate will consume energy only when there is demand by an operator.
- Do NOT use the seal plate as a cutting surface, this will damage the heater and non-stick cover. Seal plate damage voids the warranty.

ELECTRICAL REQUIREMENTS

- The Model 200ES requires 120 volts, 60Hz, 132 watts



**200ES pictured with optional Paper Cutter*

STAINLESS STEEL BRIDGE

- The wrapper comes with a stainless steel bridge (1) that can be utilized as a working surface while preparing products.
- The stainless steel bridge is *not* recommended as a cutting surface.

TWO ROLL CAPACITY

- The wrapper can hold two 20" rolls of film (2). The rolls should be mounted and threaded as shown on page 5. There is also a threading diagram located on the right side of the unit.

OPERATOR INDICATOR LIGHT

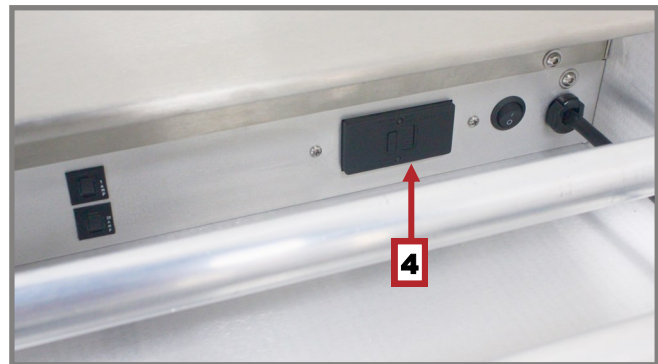
- A dual-colored light (3) will change from yellow, when the plate is heating, to red when the plate is at film sealing temperature.



**200ES pictured with optional Paper Cutter*

GFCI

- To maintain circuit protection and integrity, a GFCI (4) is installed in the electrical box, and may need to be reset if wrapper gets wet or other ground faults arise. Do NOT reset the GFCI, if visible seal plate damage is present.

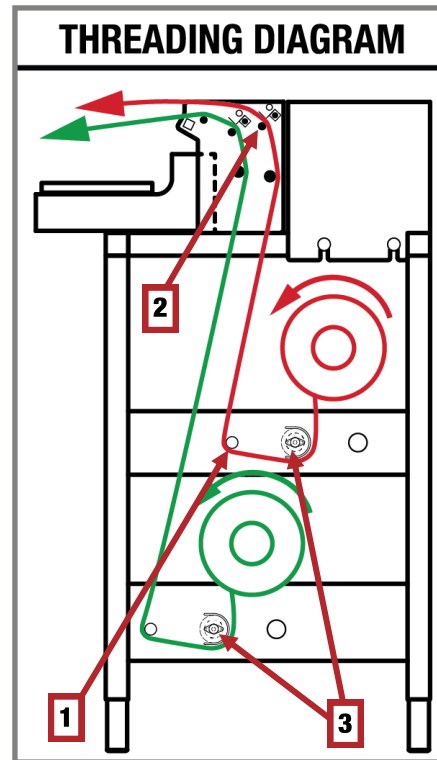


THERMISTOR TEMPERATURE CONTROL

- Due to the rapid response of the seal plate and residual heat that can remain from previous cycles, a thermistor is incorporated as a temperature control device. The heat cycle can be shorter than 3 seconds when residual heat is present in the seal plate. The thermistor is located inside of the seal plate assembly.

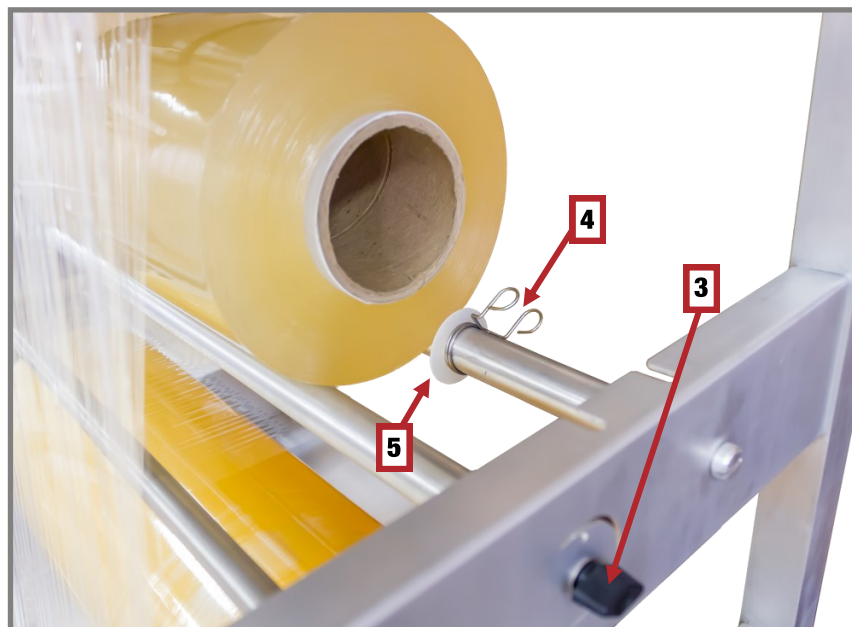
FILM THREADING - CRADLE MOUNT

- There is a film threading diagram located on the right side of the unit.
- Film threading is very important to achieve proper film tension.
- Route the bottom film first.
- Facing the tension knob side of the machine, the film should come off the roll counter-clockwise and go in-between the two rollers it sits on.
- Pull film under the film guide roller (1), and up through the film selector rollers, starting with the nearest slot to the hot plate first (2).
- The black tension knobs (3) can be adjusted for proper tension on the film by loosening or tightening the knob.



ADJUSTING FOR DIFFERENT WIDTH FILMS

- Squeeze the metal clips (4) and push the white plastic guides (5) until they are up against the sides of the film roll. These help keep the roll centered.





*** BEFORE CLEANING, TURN OFF THE UNIT, UNPLUG
AND LET THE MACHINE COOL DOWN ***

NON-STICK COVER & SEAL PLATE

- Due to the advancement of this technology, it is important to keep the non-stick cover in good condition. It is recommended to replace the non-stick cover at least once every three months to protect the seal plate and maintain a sanitary surface. The seal plate has been designed to provide long life performance when it is properly maintained. The seal plate should not be used as a cutting surface, any punctures will render the seal plate ineffective and void the warranty.
- The non-stick cover is used to create a sanitary, stick free sealing surface. Non-stick covers are porous, so liquid can permeate the cover and burn off on the hot plate.
- The non-stick cover should be replaced if the surface is soiled, or holes, punctures, excessive wear, or damage is present.
- The seal plate can be cleaned with a mild degreaser. Spray the degreaser onto a soft rag or paper towel and clean the plate while cool.

CLEANING THE CUT OFF ROD

- Make sure that the unit is turned off and the cut off rod is cool to the touch.
- Cover the surface with paper towels to protect it from over spray and debris.
- Spray the cut-off rod generously with an FDA approved degreaser.
- After soaking, lightly scrub the surface of the cut-off rod with a scour pad (Scotch-Brite™ type pad).
- Wipe the surface clean of debris and residue with clean paper towels or cloths.
- Repeat degreaser as needed until the rod is clean.

CLEANING THE UNIT

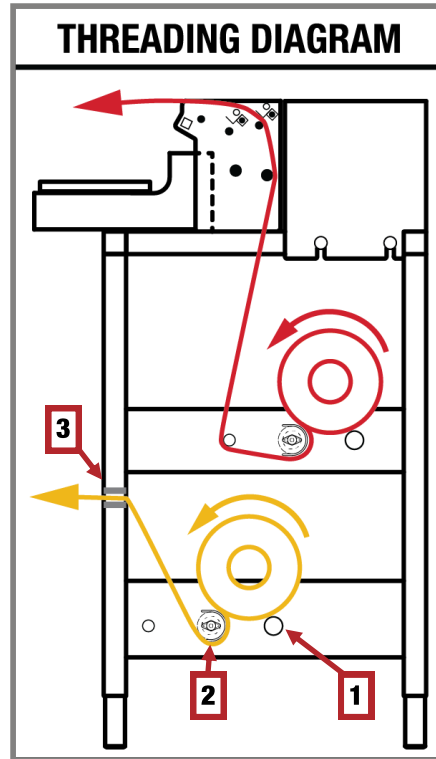
- The 200ES can be completely wiped down using mild cleaning detergent and soft rags or paper towels. Do not hose down or submerge the unit.

GUIDE FOR OPTIONAL PAPER CUTTER



FILM THREADING - PAPER CUTTER

- The paper cutter allows for up to a 20" roll of butcher paper to be loaded onto the bottom cradle (bottom cradle only).
- Place the paper roll onto the back idle roller (1) and the tension roller (2).
- Thread the paper counterclockwise down under the tension roller (2) then up and through the mouth (3) of the paper cutter.



USING THE PAPER CUTTER



Use the slot-hole on the cutter to grab the threaded butcher paper



Pull the butcher paper out towards you



Once you've pulled your desired length, pull upwards



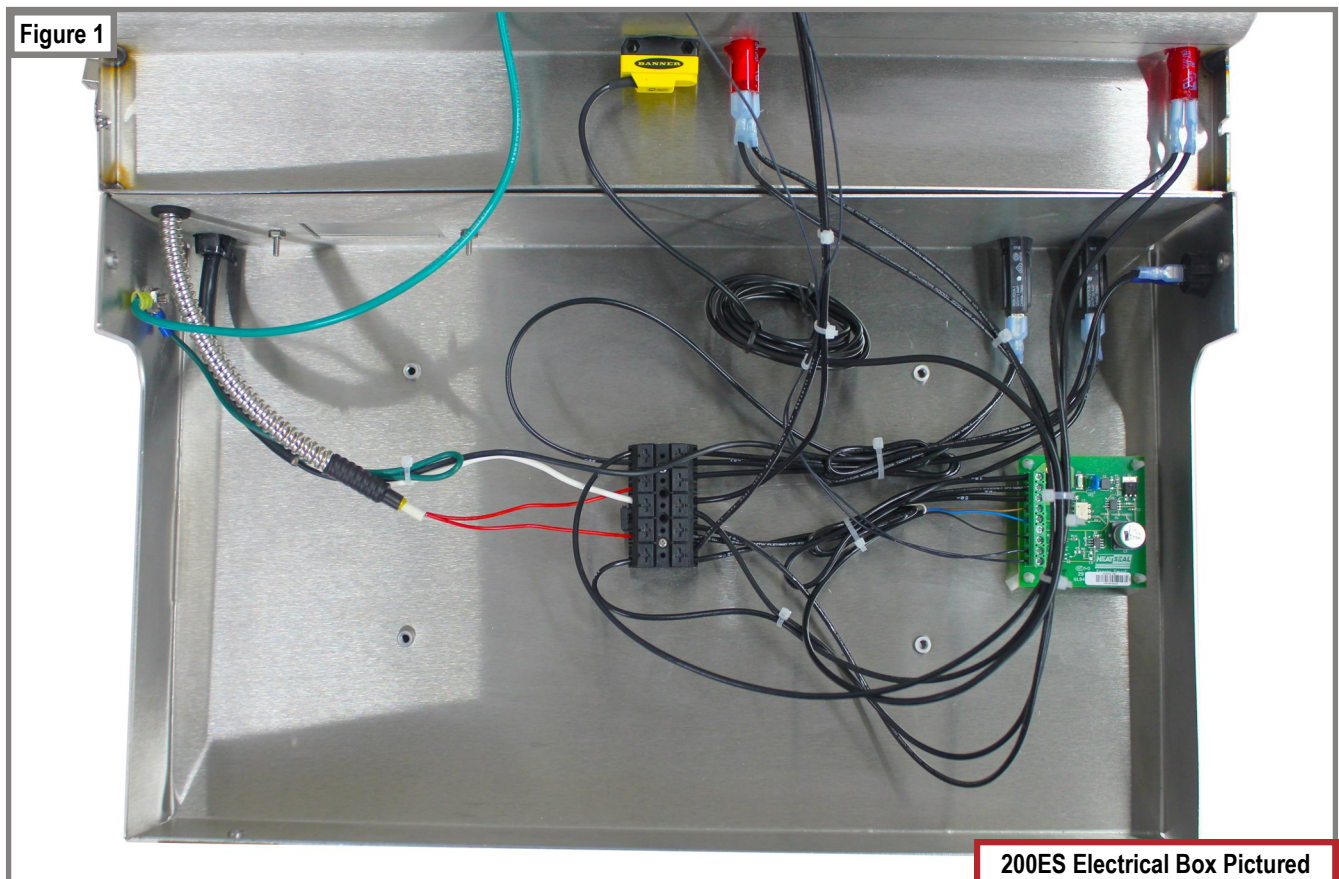
Use the tension created to pull against the cutter edge to cut the butcher paper

Revised 2022

TROUBLESHOOTING



Symptom	Possible Solution
No power to the unit.	Verify the unit is plugged into a 15 Amp circuit, and the Power Switch is set to the "ON" position. Is the GFCI circuit breaker tripped? 1) Remove "Non-Stick" Cover and inspect the Seal Plate for the following defects: Punctures or cuts. Burn marks. Discoloration. If these defects are present, replace seal plate. 2) If seal plate is in good condition, reset GFCI. If GFCI cannot be reset, replace the GFCI. 3) Reset new GFCI. Red Power Light at right front of unit SHOULD glow. 4) If GFCI trips, seal plate may have moisture inside. Allow 1-2 days to dry out and then retry.

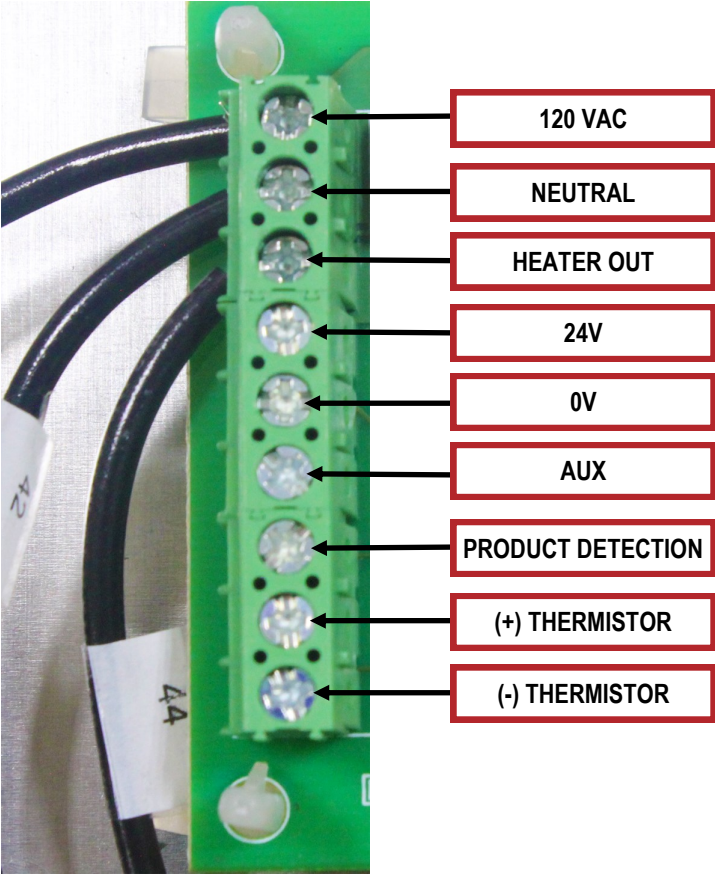


TROUBLESHOOTING

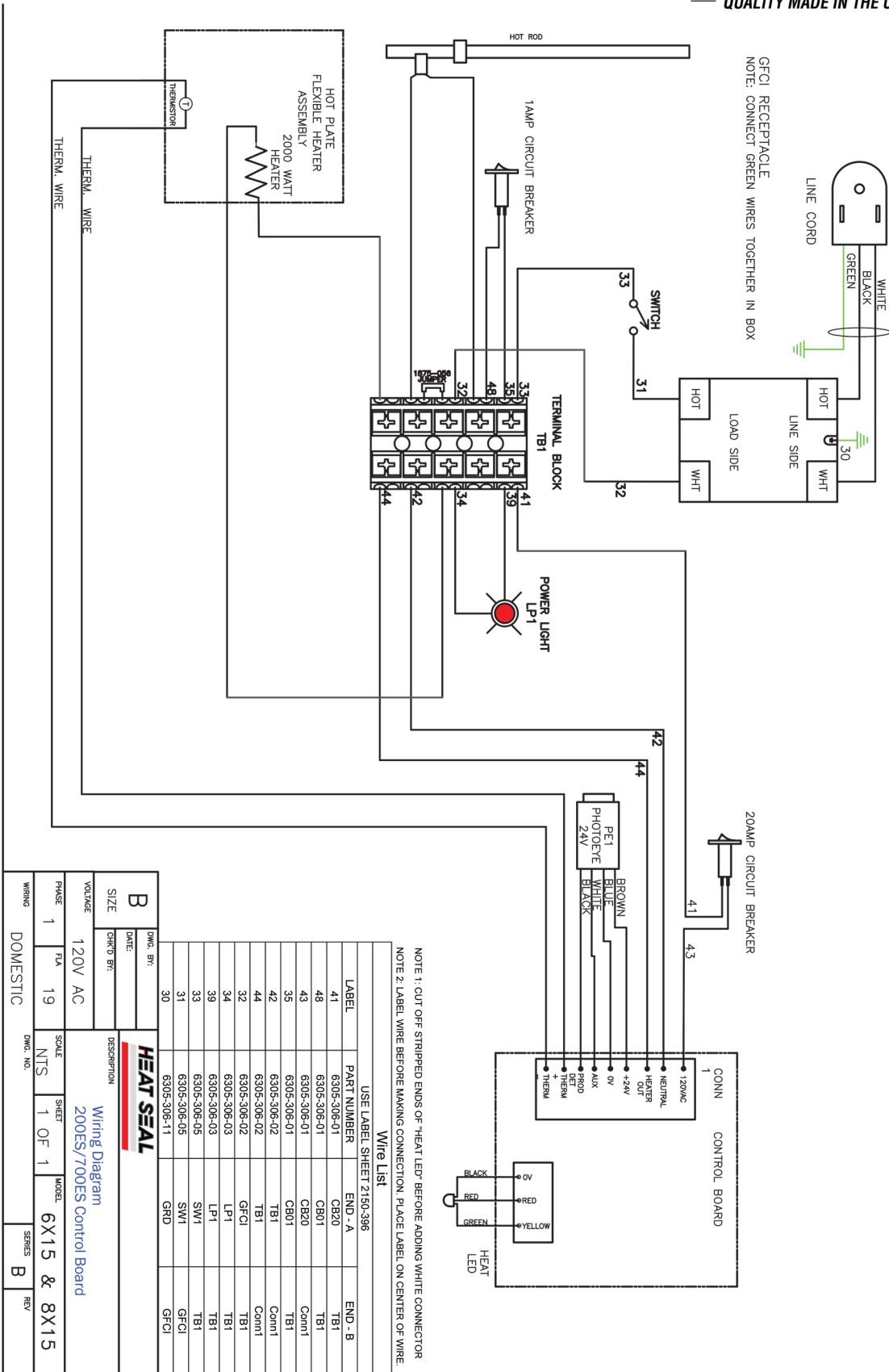


Symptom	Possible Solution
Unit has power but the Seal Plate does not work	<p>Verify power. Does the LED light turn ON when photo eye is triggered?</p> <ol style="list-style-type: none"> 1) If neither the LED or Seal Plate work, verify that the 20 Amp Circuit Breaker has not tripped. 2) If the Circuit Breaker has tripped, verify there are no shorts to ground in the unit by checking wiring and connections (on page 8). Reset Circuit Breaker. 3) Replace Circuit Breaker if it cannot be reset.
	<p>Verify the Photo eye is working properly.</p> <ol style="list-style-type: none"> 1) With the Power ON, there should be a Green Light illuminated on the back of the Photo Eye. When the Photoeye is triggered a separate Yellow Light will illuminate. 2) If the green light is ON and the yellow light does NOT illuminate when the Photo Eye is triggered, replace the Photo Eye. 3) If green light is NOT illuminated when power is ON, check Control Board to determine if Photo Eye or Control Board is faulty.
	<p>Verify the control board is working.</p> <ol style="list-style-type: none"> 1) Check the voltage on Pin 1 of the Control Board using a multimeter. If it is not 120vac, a wiring issue exists. Find and repair. 2) Check voltage across Pin 4 & 5, (Brown & Blue Wires) this voltage should be 10 to 30vdc. <ul style="list-style-type: none"> •If NO voltage present, replace Control Board. •If voltage present, replace Photo Eye.
	<p>Verify seal plate. If the plate does not heat at all or is only slightly warm to the touch, replace the Seal Plate.</p>
Film Cut-off Rod does not work at all.	<p>Verify the unit is plugged into a 15 Amp circuit and the Power Switch is set to the “ON” position.</p>
	<p>Verify that the 1 Amp circuit breaker is not tripped. If the circuit breaker is tripped, then reset and verify there are no shorts to ground in the unit by checking wiring and connections.</p>
Film cuts too slowly	<p>Clean Cut-off Rod surface and verify it is not bent. See “Cut-Off Rod” Maintenance.</p>

CONTROL BOARD ASSEMBLY



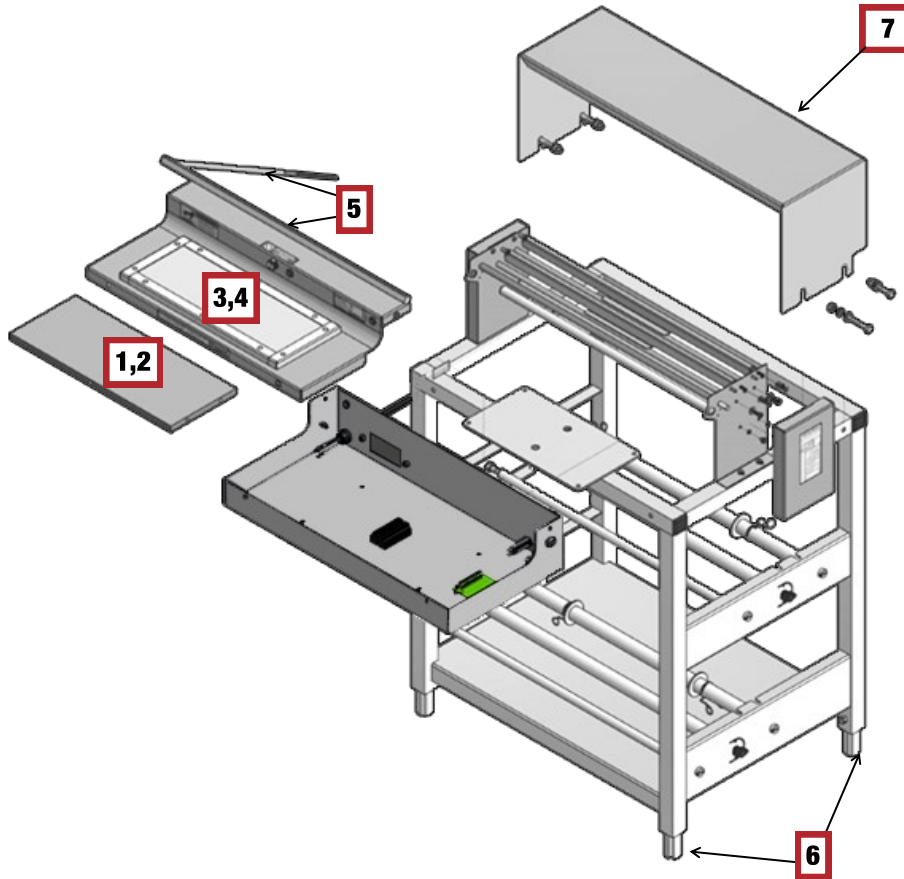
CONTROL BOARD ASSEMBLY



Wire List

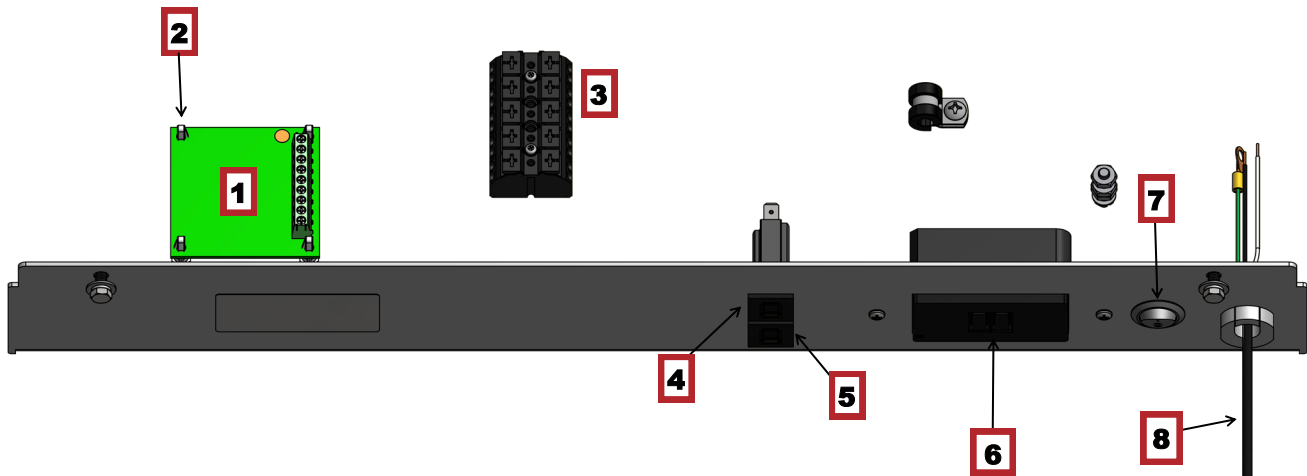
LABEL	PART NUMBER	END - A	END - B
41	6305-306-01	CB20	TB1
48	6305-306-01	CB01	TB1
43	6305-306-01	CB20	Comm1
35	6305-306-01	CB01	TB1
42	6305-306-02	TB1	Comm1
44	6305-306-02	TB1	Comm1
32	6305-306-02	GFCl	TB1
34	6305-306-03	LP-1	TB1
39	6305-306-03	LP-1	TB1
33	6305-306-05	SW1	GFCl
31	6305-306-05	SW1	GFCl
30	6305-306-11	GRD	GFCl

HEAT SEAL WIRING DIAGRAM 200ES/700ES Control Board	
SIZE: B DATE: _____ CHK'D BY: _____	DESCRIPTION: _____
VOLTAGE: 120V AC PHASE: 1 FLA WIRING: DOMESTIC	SCALE: NTS SHEET: 1 OF 1 MODEL: 6X15 & 8X15 SERIES: B REV



BILL OF MATERIALS FOR MAJOR ASSEMBLIES

ITEM	QTY	PART NUMBER	DESCRIPTION
1	1	5901-011	Non-stick Cover, 6 x 15
2	1	5901-001	Non-stick Cover, 8 x 15
3	1	6137-245	Replacement 6 x 15 Seal Plate Kit
4	1	6137-246	Replacement 8 x 15 Seal Plate Kit
5	1	6137-094	Hot Rod Replacement Kit Includes: (1) Square Boardless Cut Off Rod with (1) O-Ring and (1) Strain Relief Grommet
6	4	2135-040	Foot Glide
7	1	6137-076	Stainless Steel Wrapping Bridge, 200ES



BILL OF MATERIALS FOR ELECTRICAL BOX

ITEM	QTY	PART NUMBER	DESCRIPTION
1	1	1818-037	6" x 15" Energy Smart® Control Board, Programmed
		1818-034	8" x 15" Energy Smart® Control Board, Programmed
2	1	6340-070	<i>Circuit Board Mounting Kit</i> Includes: (4) Plastic Clip Stand-Offs
3	1	1875-055	Terminal Block
4	1	1815-030	1A Circuit Breaker
5	1	1815-031	20A Circuit Breaker
6	1	1872-123	GFCI Blank Outlet, 20A/125V
7	1	1872-131	20A Rocker Switch
8	1	6340-069	<i>Power Cord Replacement Kit</i> Includes: (1) Strain Relief, (1) 7' Power Cord