
Parts List

VSR48A

TABLE OF CONTENTS

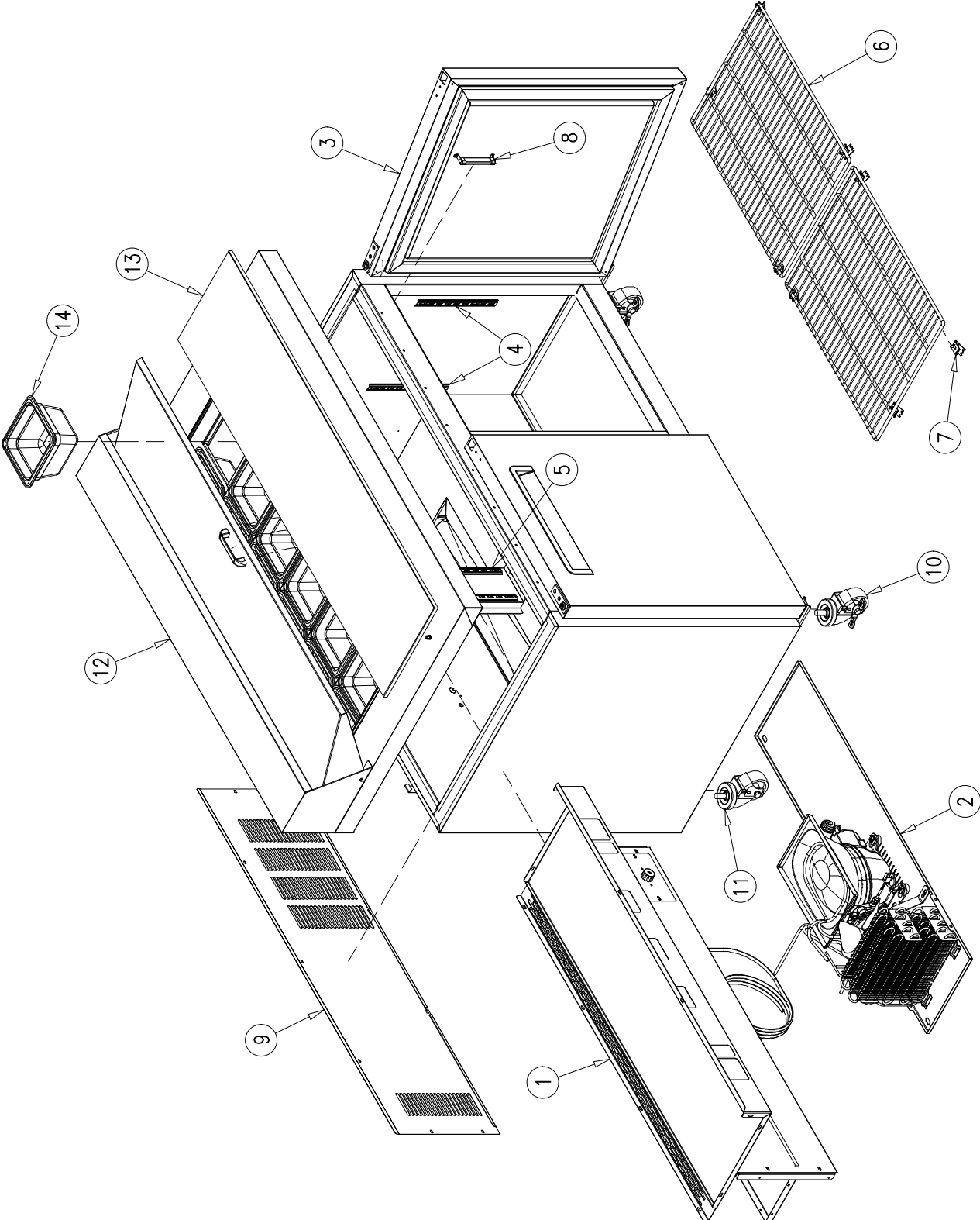
MAIN ASSEMBLY	3
EVAPORATOR ASSEMBLY	5
CONDENSING UNIT ASSEMBLY	7
DOOR ASSEMBLY	9

NOTE:

To order spare parts, always include the following information:

- *Model Number* _____
- *Serial Number* _____

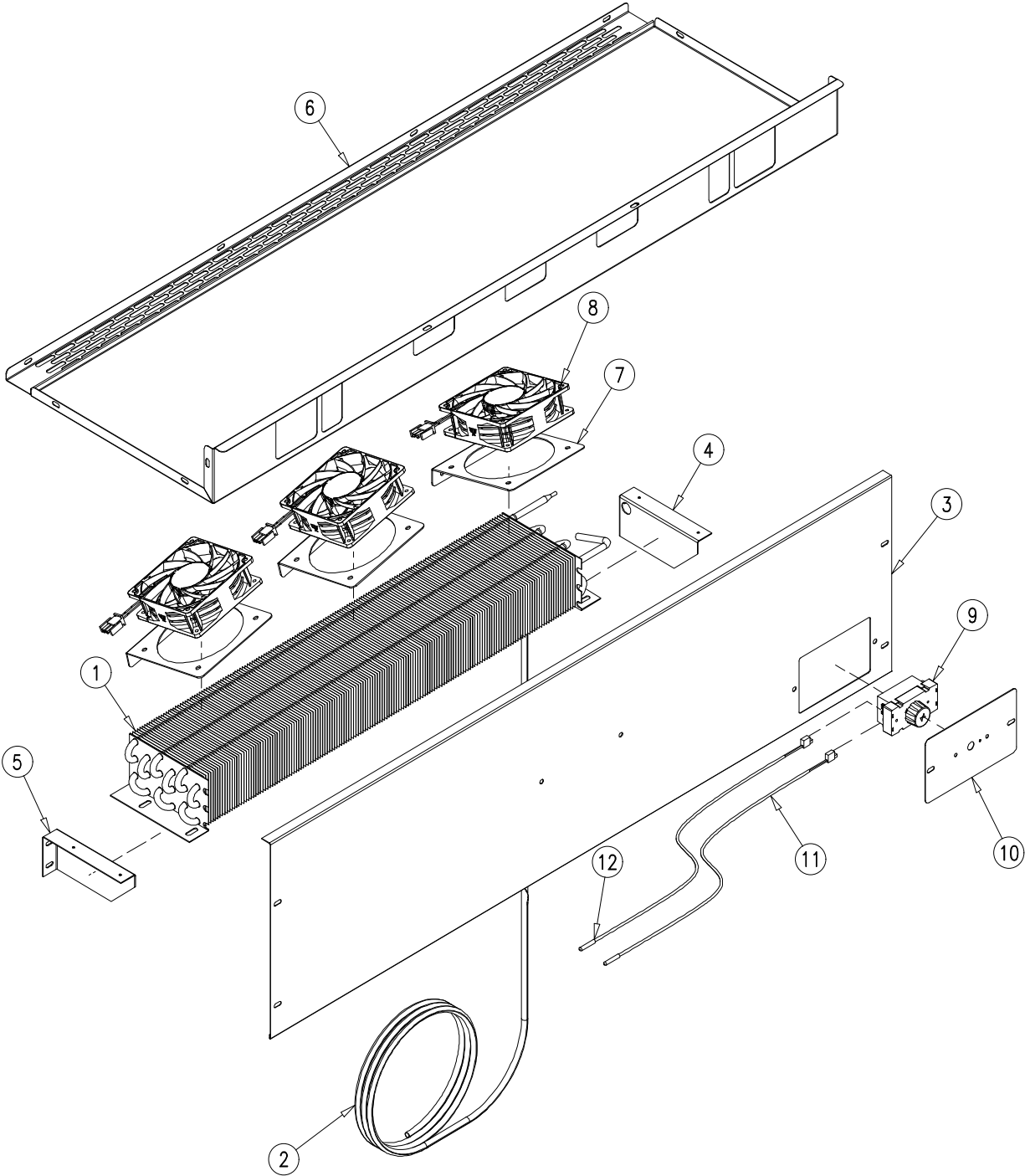
MAIN ASSEMBLY



MAIN ASSEMBLY

<i>Item No.</i>	<i>Description</i>	<i>Part No.</i>	<i>Quantity per cooler</i>
1	EVAPORATOR ASSEMBLY	OT-EV-0347	1
2	CONDENSING UNIT ASSEMBLY	OT-UN-0394	1
3	DOOR ASSEMBLY	OT-PTA-0258-836	2
4	PILASTER (9.19)	OT-PI-5-9.19	6
5	PILASTER (7.59)	OT-PI-5-7.59	2
6	FLAT SHELF	SH-0560-HD-GR	2
7	SHELF CLIPS	CL-51-SS-E	8
8	THERMOMETER	TH-1-E	1
9	BACK GRILL	OT-22356	1
10	FRONT LOCKING CASTER	CA-4-BR	2
11	BACK NON-LOCKING CASTER	CA-4	2
12	TOP ASSEMBLY	OT-TOP-0055	1
13	CUTTING BOARD	OT-RP-0220	1
14	TRAY	PL-674	12

EVAPORATOR ASSEMBLY

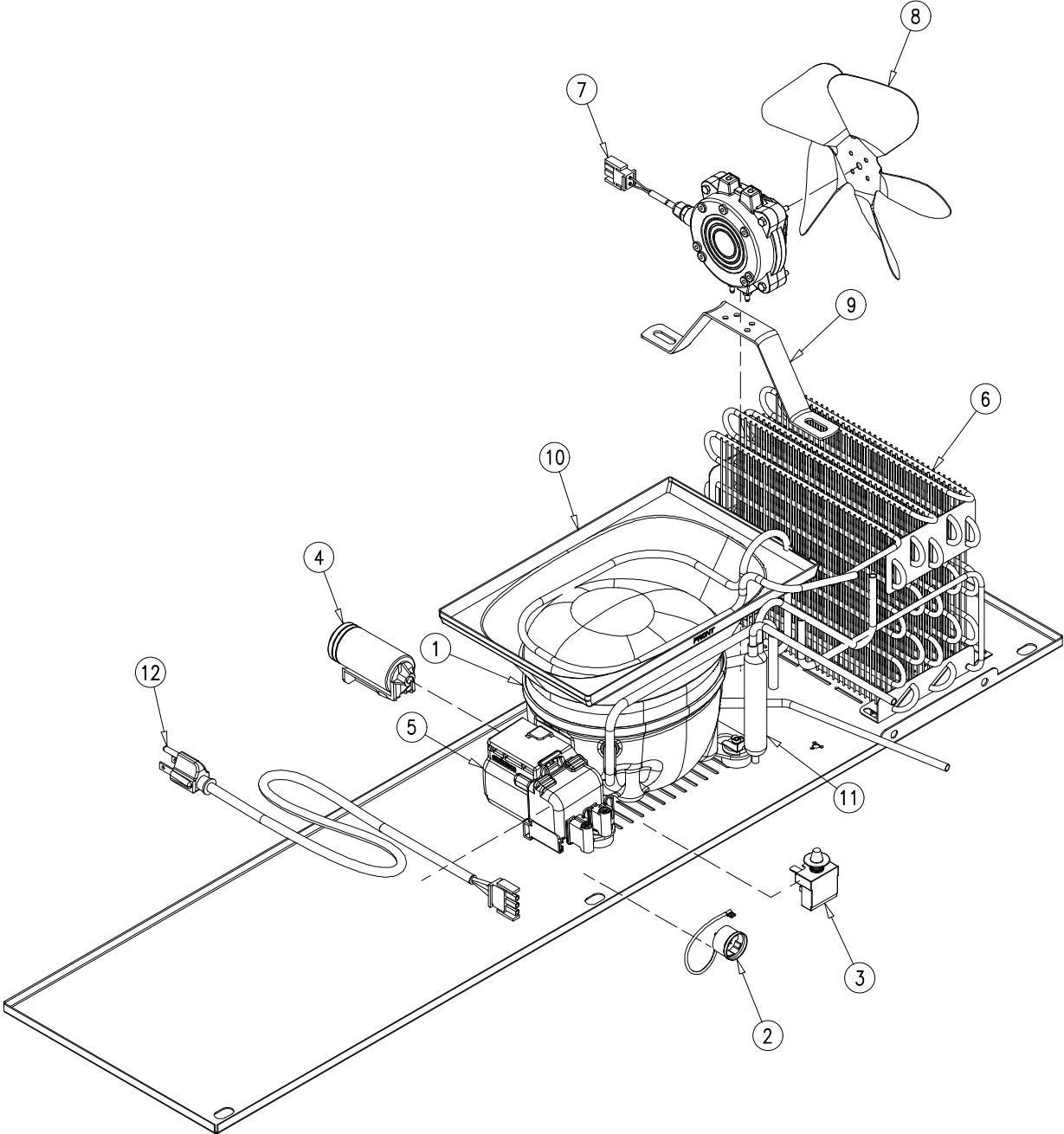


EVAPORATOR ASSEMBLY

<i>Item No.</i>	<i>Description</i>	<i>Part No.</i>	<i>Quantity per cooler</i>
1	EVAPORATOR	CO-477	1
2	HEAT EXCHANGER	TUB-1609	1
3	SHROUD	OT-26291	1
4	RIGHT EVAPORATOR SUPPORT	OT-27088	1
5	LEFT EVAPORATOR SUPPORT	OT-27087	1
6	BAFFLE TRAY	OT-27012	1
7	EVAPORATOR FAN MOTOR BRACKET	OT-26801	3
8	EVAPORATOR FAN MOTOR	FA-125-SW	3
9	CONTROL MODULE	CT-198-CO-309 (K) *	1
10	CONTROL MODULE BRACKET	OT-25968	1
11	CABINET THERMISTOR	CT-180-3-CO	1
12	DEFROST THERMISTOR	CT-180-4-CO	1

* THE PART NUMBER CT-198-CO-309 (K) INCLUDES:
CONTROL MODULE CT-198-CO-309
CONTROL MODULE HARNESS OT-AR-6973
CABINET THERMISTOR CT-180-3-CO
DEFROST THERMISTOR CT-180-4-CO

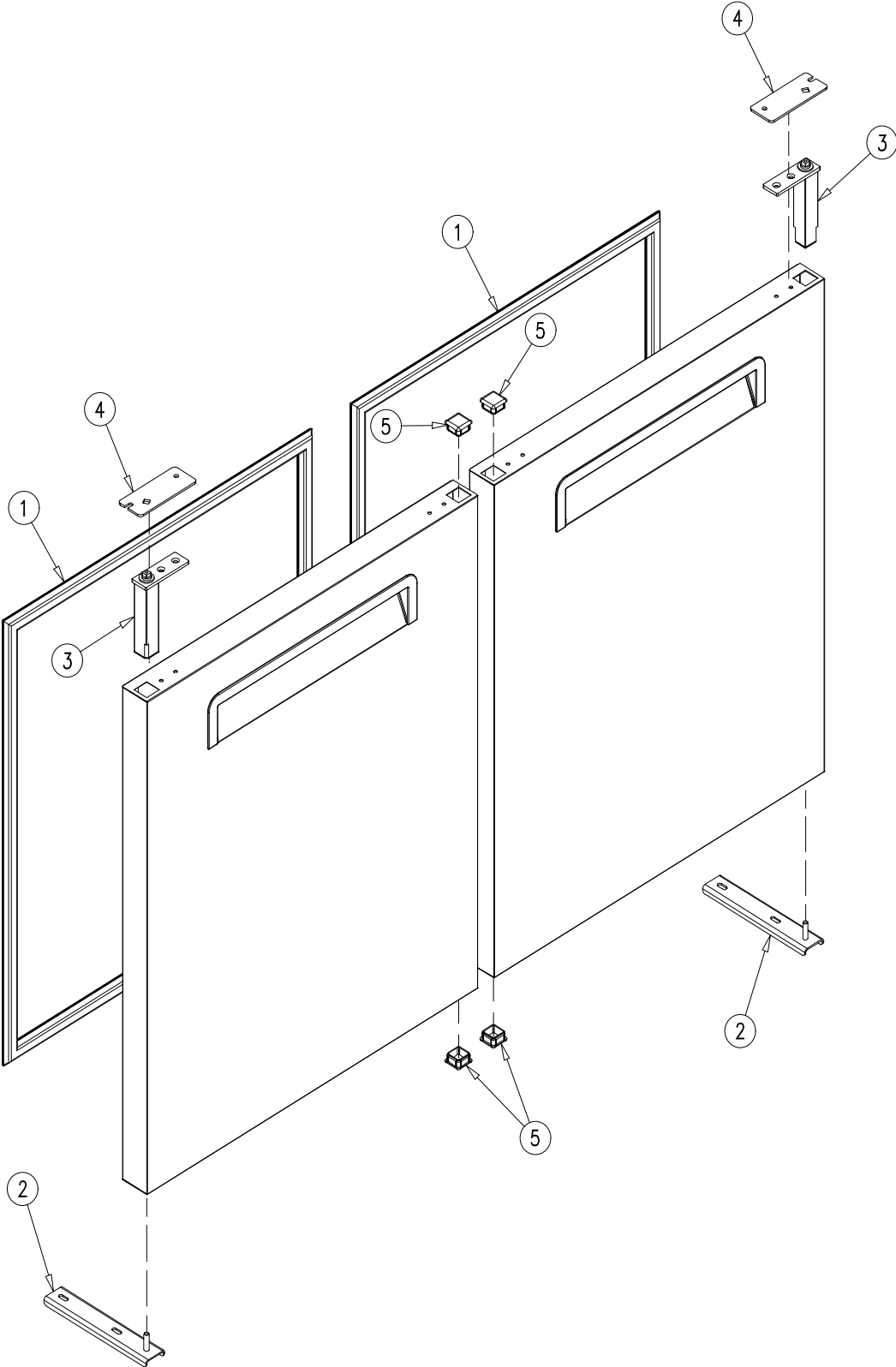
CONDENSING UNIT ASSEMBLY



CONDENSING UNIT ASSEMBLY

<i>Item No.</i>	<i>Description</i>	<i>Part No.</i>	<i>Quantity per cooler</i>
1	COMPRESSOR (1/4HP 115V/60HZ R-290)	EM2X3121U	1
2	EXTERNAL PROTECTOR (4TM727NFBYY-53)	EL-2080-R	1
3	PTC RELAY (7M4R7MD3)	EL-2079-R	1
4	RUN CAPACITOR (20 μ F 180V)	CAP-20-180	1
5	ELECTRICAL BOX	EL-2081-R	1
6	CONDENSER	CO-426-L	1
7	CONDENSER FAN MOTOR	FA-124-SW	1
8	CONDENSER FAN BLADE	FA-17-EBM	1
9	CONDENSER FAN MOTOR BRACKET	FA-39	1
10	COMPRESSOR EVAPORATION TRAY	DP-6	1
11	DRIER	DR-31	1
12	POWER CORD (9 ft)	EL-1260-9	1

DOOR ASSEMBLY



DOOR ASSEMBLY

<i>Item No.</i>	<i>Description</i>	<i>Part No.</i>	<i>Quantity per cooler</i>
1	MAGNETIC GASKET	OT-GA-500-PTA-0258	2
2	LOWER HINGE ASSEMBLY	HA-613	2
3	TORSION MECHANISM	HA-612	2
4	TORSION MECHANISM CAP	OT-22263	2
5	DOOR PLUG	PL-191-G	4