
Parts List

VSR27A

TABLE OF CONTENTS

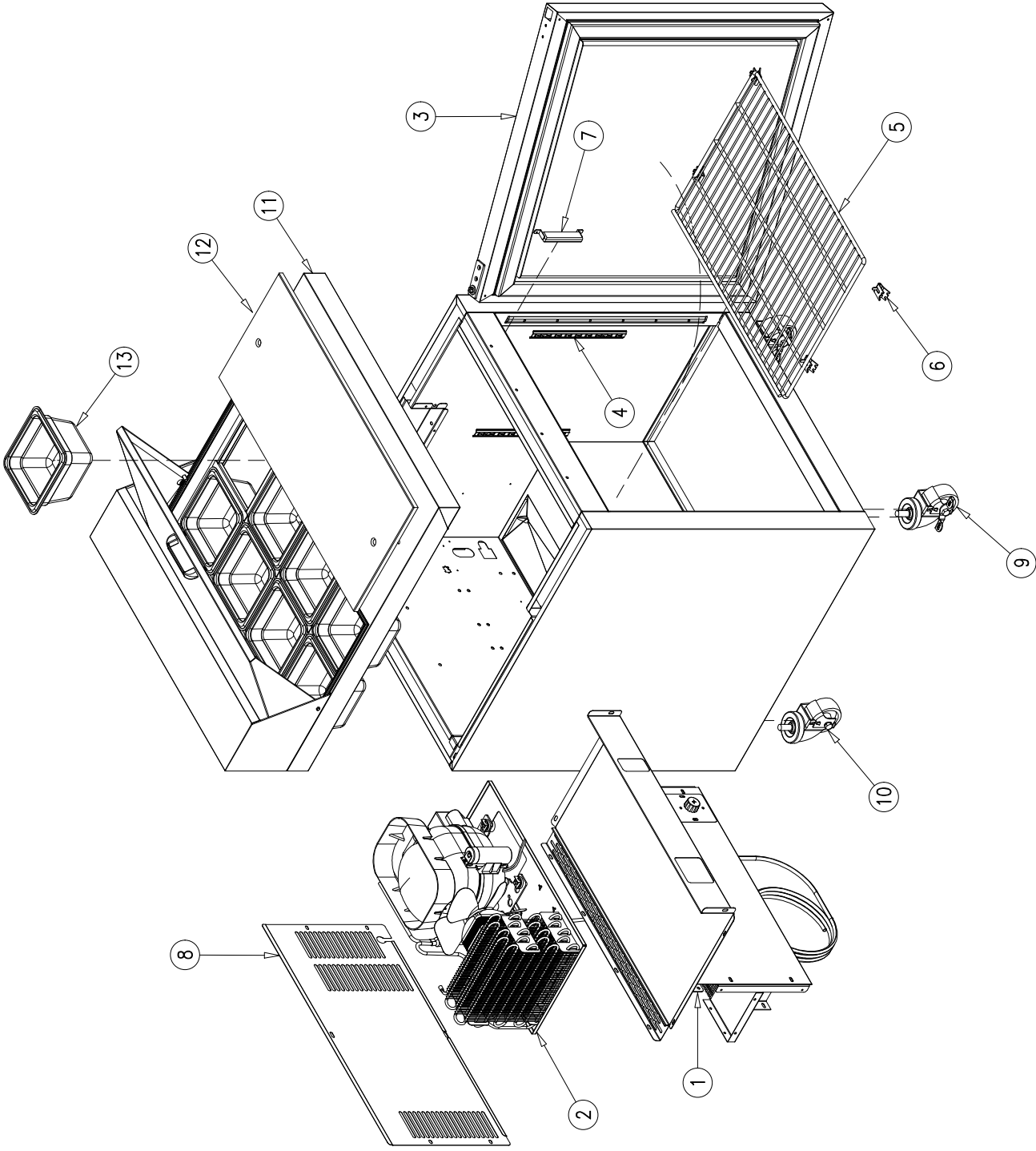
MAIN ASSEMBLY	3
EVAPORATOR ASSEMBLY	5
CONDENSING UNIT ASSEMBLY	7
DOOR ASSEMBLY	9

NOTE:

To order spare parts, always include the following information:

- *Model Number* _____
- *Serial Number* _____

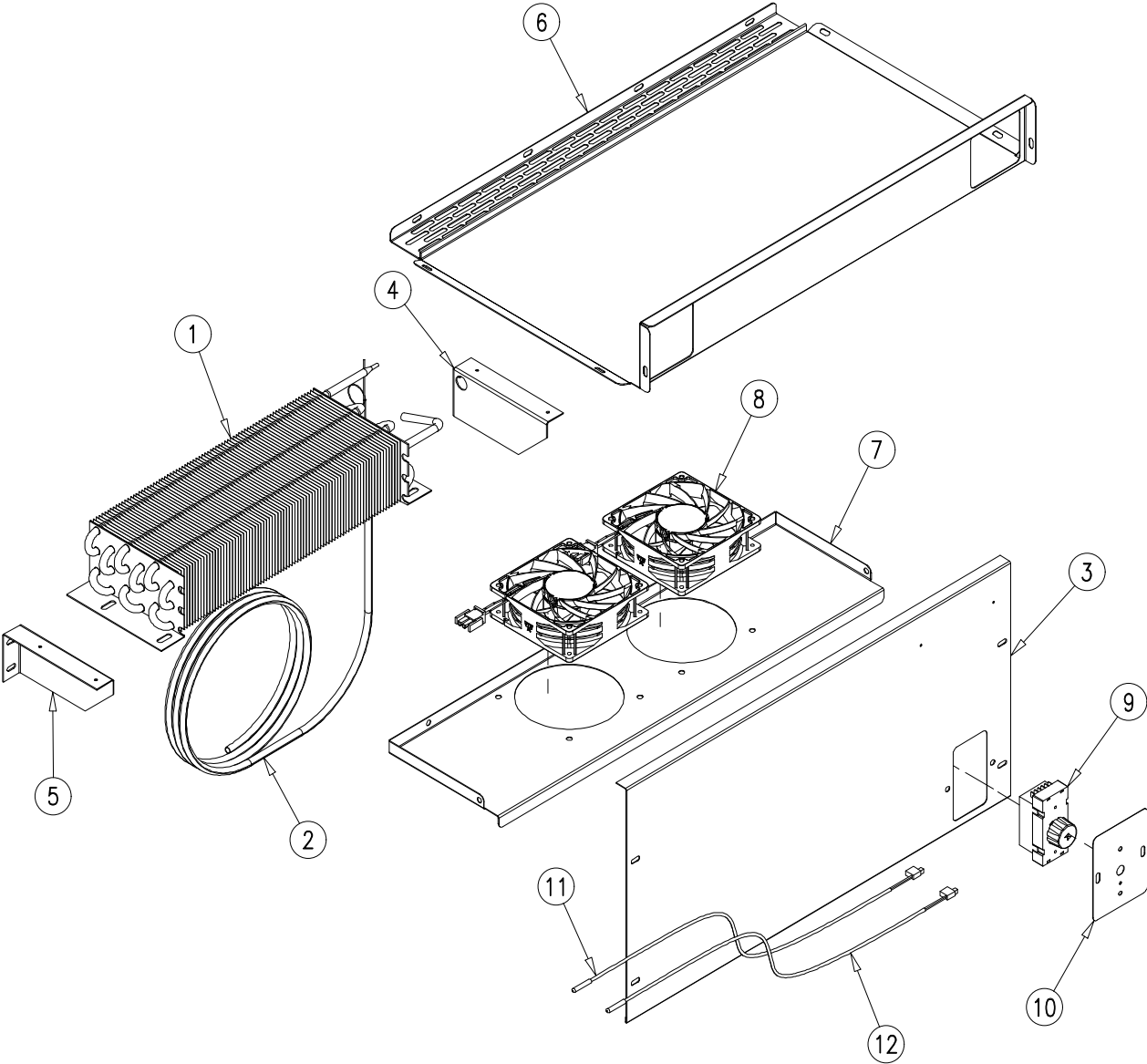
MAIN ASSEMBLY



MAIN ASSEMBLY

<i>Item No.</i>	<i>Description</i>	<i>Part No.</i>	<i>Quantity per cooler</i>
1	EVAPORATOR ASSEMBLY	OT-EV-0338	1
2	CONDENSING UNIT ASSEMBLY	OT-UN-0393	1
3	DOOR ASSEMBLY	OT-PTA-0257-836	1
4	PILASTER (9.19)	OT-PI-5-9.19	4
5	FLAT SHELF	SH-0559-HD-GR	1
6	SHELF CLIPS	CL-51-SS-E	4
7	THERMOMETER	TH-1-E	1
8	BACK GRILL	OT-22328	1
9	FRONT LOCKING CASTER	CA-4-BR	2
10	BACK NON-LOCKING CASTER	CA-4	2
11	TOP ASSEMBLY	OT-TOP-0047	1
12	CUTTING BOARD	OT-RP-0219	1
13	TRAY	PL-674	8

EVAPORATOR ASSEMBLY

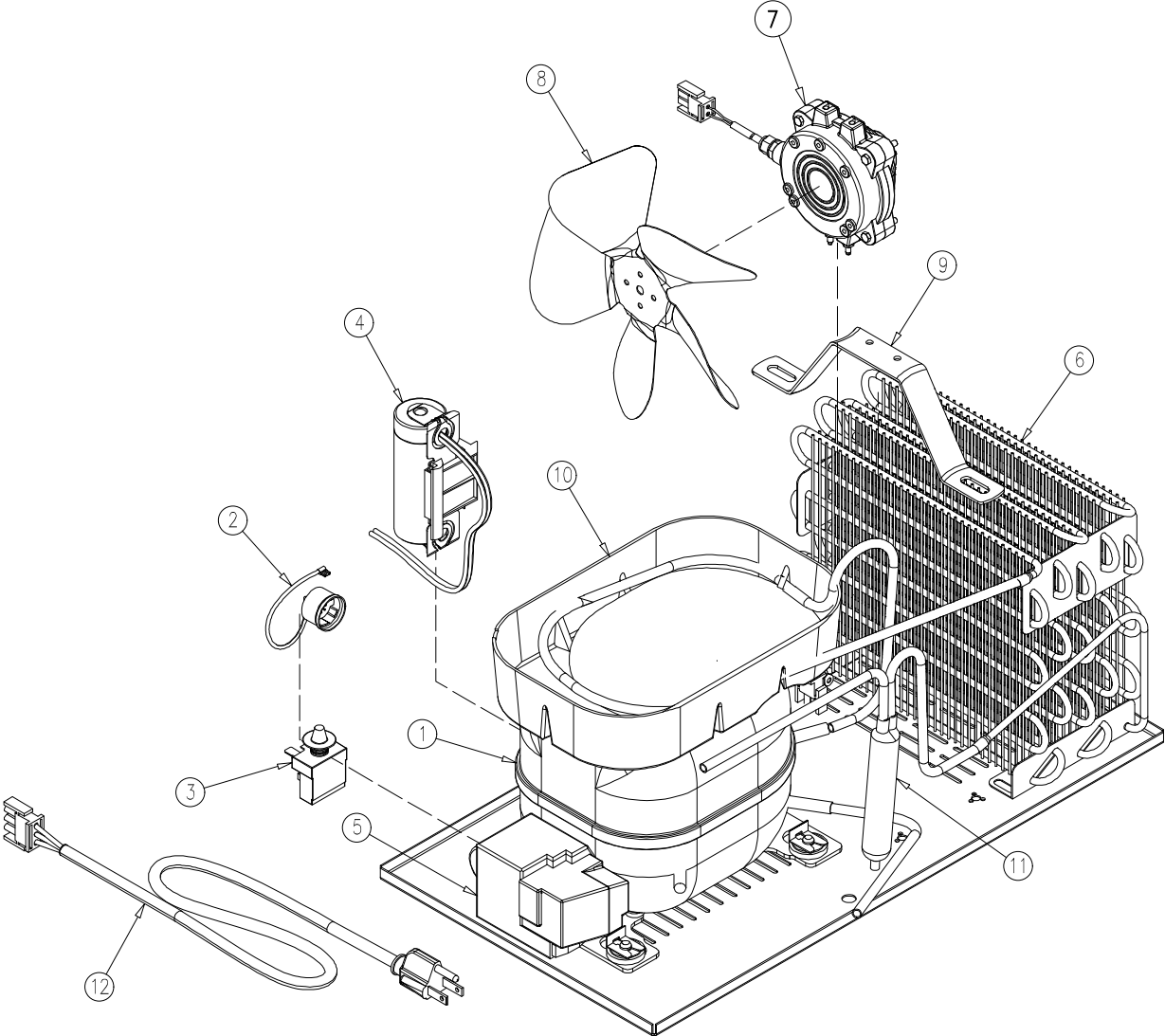


EVAPORATOR ASSEMBLY

<i>Item No.</i>	<i>Description</i>	<i>Part No.</i>	<i>Quantity per cooler</i>
1	EVAPORATOR	CO-476	1
2	HEAT EXCHANGER	TUB-1591	1
3	SHROUD	OT-26532	1
4	RIGHT EVAPORATOR SUPPORT	OT-26137	1
5	LEFT EVAPORATOR SUPPORT	OT-26138	1
6	BAFFLE TRAY	OT-27011	1
7	EVAPORATOR FAN MOTOR BRACKET	OT-27056	1
8	EVAPORATOR FAN MOTOR	FA-125-SW	2
9	CONTROL MODULE	CT-198-CO-301 (K) *	1
10	CONTROL MODULE BRACKET	OT-26536	1
11	CABINET THERMISTOR	CT-180-3-CO	1
12	DEFROST THERMISTOR	CT-180-4-CO	1

* THE PART NUMBER CT-198-CO-301 (K) INCLUDES:
CONTROL MODULE CT-198-CO-301
CONTROL MODULE HARNESS OT-AR-6973
CABINET THERMISTOR [CT-180-3-CO](#)
DEFROST THERMISTOR CT-180-4-CO

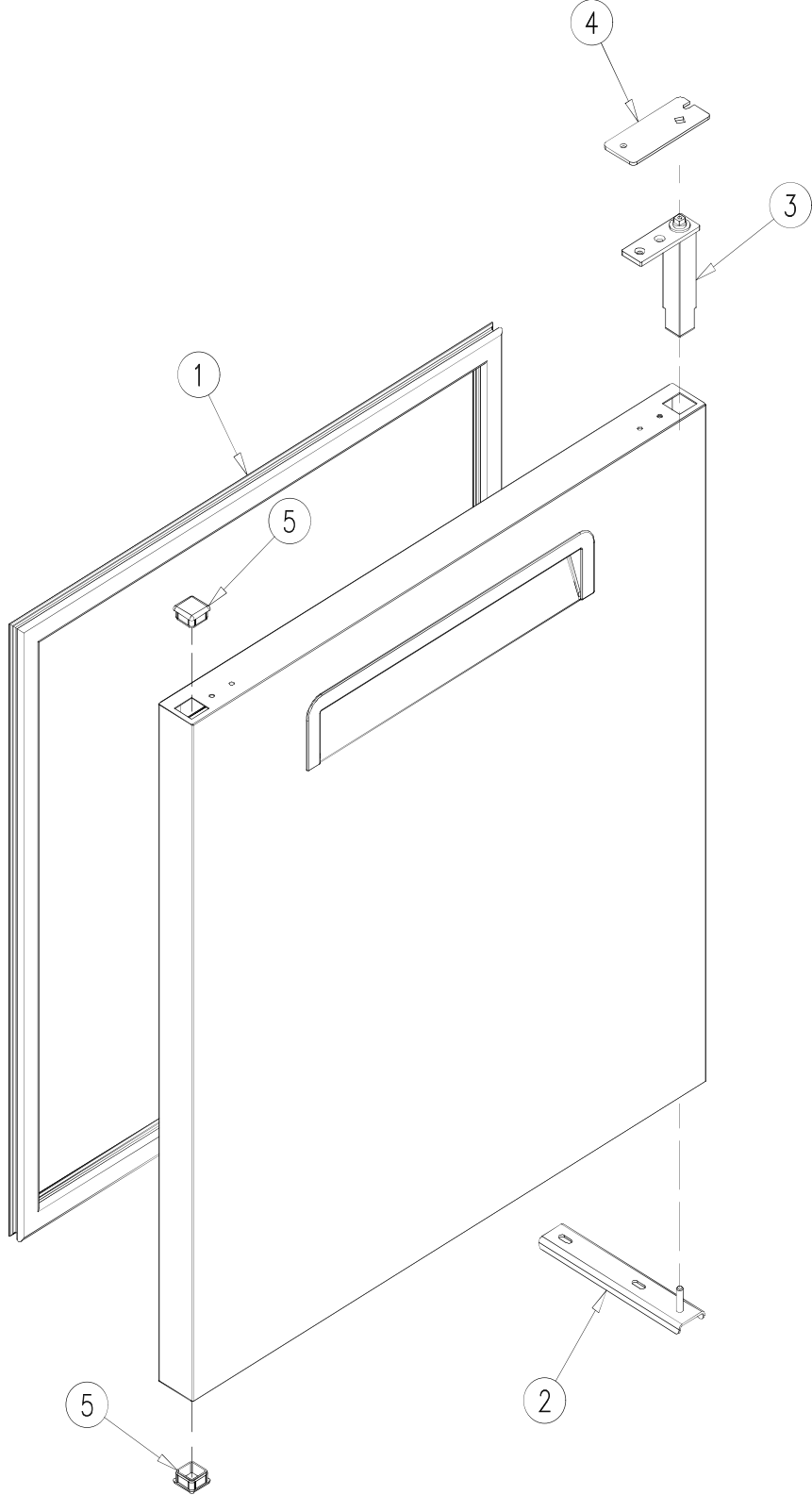
CONDENSING UNIT ASSEMBLY



CONDENSING UNIT ASSEMBLY

<i>Item No.</i>	<i>Description</i>	<i>Part No.</i>	<i>Quantity per cooler</i>
1	COMPRESSOR (1/5HP 115V/60HZ R-290)	EM2U3115U	1
2	EXTERNAL PROTECTOR (4TM319RFBYY-53)	EL-2087-R	1
3	PTC RELAY (8EA14C3)	EL-2086-R	1
4	RUN CAPACITOR (12 μ F 180V)	CAP-12-180	1
5	ELECTRICAL BOX	EL-2088-R	1
6	CONDENSER	CO-426-L	1
7	CONDENSER FAN MOTOR	FA-124-SW	1
8	CONDENSER FAN BLADE	FA-17-EBM	1
9	CONDENSER FAN MOTOR BRACKET	FA-39	1
10	COMPRESSOR EVAPORATION TRAY	DP-6	1
11	DRIER	DR-31	1
12	POWER CORD (9 ft)	EL-1260-9	1

DOOR ASSEMBLY



DOOR ASSEMBLY

<i>Item No.</i>	<i>Description</i>	<i>Part No.</i>	<i>Quantity per cooler</i>
1	MAGNETIC GASKET	OT-GA-500-PTA-0257	1
2	LOWER HINGE ASSEMBLY	HA-613	1
3	TORSION MECHANISM	HA-612	1
4	TORSION MECHANISM CAP	OT-22263	1
5	DOOR PLUG	PL-191-G	2