



HOSHIZAKI

Parts List

Steelheart B Series
Refrigerated Kitchen Equipment

Models
Undercounter Side-Mount
Worktop Side-Mount



[hoshizakiamerica.com](https://www.hoshizakiamerica.com)

Number: 71444
Issued: 5-30-2024
Revised: 9-15-2025

CONTENTS

Auxiliary Codes.....	3
Model Codes	4
A. Main Assembly	5
_LR46B(-D2)(-L), _LF46B Undercounter, Worktop	5
_LR60B(-Dx), _LF60B, _LR67B(-Dx), _LF67B Undercounter, Worktop.....	6
_LR93B(-Dx) Undercounter, Worktop.....	7
B. Refrigeration Circuit.....	9
C. Door-Right Hinged Solid.....	11
D. Door-Left Hinged Solid	12
E. Drawers	14
F. Accessories & Labels.....	15

Auxiliary Codes

ULF46B

P-5 January 2024
Q-5 July 2025

ULR46B

N-5 August 2023
P-5 October 2024
Q-5 January 2025

ULR46B-D2

N-5 August 2023
P-5 December 2024
Q-5 January 2025

ULR46B-L

Q-5 TBD

WLF46B

P-5 January 2024

WLR46B

P-5 October 2024
Q-5 January 2025

WLR46B-D2

N-5 September 2023
Q-5 January 2025

ULF60B

P-5 January 2024

ULR60B

N-5 September 2023
P-5 February 2024
Q-5 January 2025

ULR60B-D2

N-5 September 2023

ULR60B-D4

N-5 September 2023
Q-6 July 2025

WLF60B

P-5 January 2024

WLR60B

N-5 September 2023
Q-5 April 2025

WLR60B-D2

TBD

WLR60B-D4

N-5 October 2023
P-5 October 2024
Q-6 July 2025

ULF67B

P-5 February 2024

ULR67B

N-5 October 2023
P-5 February 2024
Q-6 July 2025

ULR67B-D2

N-5 October 2023
Q-6 July 2025

ULR67B-D4

N-5 October 2023
Q-5 May 2025

WLF67B

P-5 February 2024

WLF67B

P-5 February 2024

WLF67B

P-5 February 2024

WLR67B

P-5 February 2024
Q-6 July 2025

WLR67B-D2

TBD

WLR67B-D4

N-5 October 2023
Q-5 April 2025

ULR93B

N-5 September 2023
P-5 February 2024

ULR93B-D2

TBD

ULR93B-D4

N-5 September 2023

ULR93B-D6

N-5 September 2023

WLR93B

P-5 October 2024

WLR93B-D2

TBD

WLR93B-D4

TBD

WLR93B-D6

N-5 October 2023

Model Codes

The model number code breakdown is as follows:

UL - Undercounter

WL - Worktop

R - Refrigerator

F - Freezer

46, 60, 67, 93 - Width

After Dash (-) Nomenclature:

-L Left Hinged Doors

-D2, -D4, -D6 - Drawers and Drawer/Door Combination

Auxiliary Code Breakdown

The auxiliary code is the first two characters in the serial number. The first character indicates the year. Years progress or regress in alphabetical order. The series runs from "A" through "V" and the letters "I" and "O" are skipped. The second character indicates significant part changes within a year. Base is "5" and this number advances for each change. In cases where there is a letter in parentheses, this designates the month. This is the last character in the serial number. The series runs from "(A)" through "(M)" and the letter "(I)" is skipped. This designation is only included when identifying a parts change within an auxiliary code.

Note About Ordering Parts

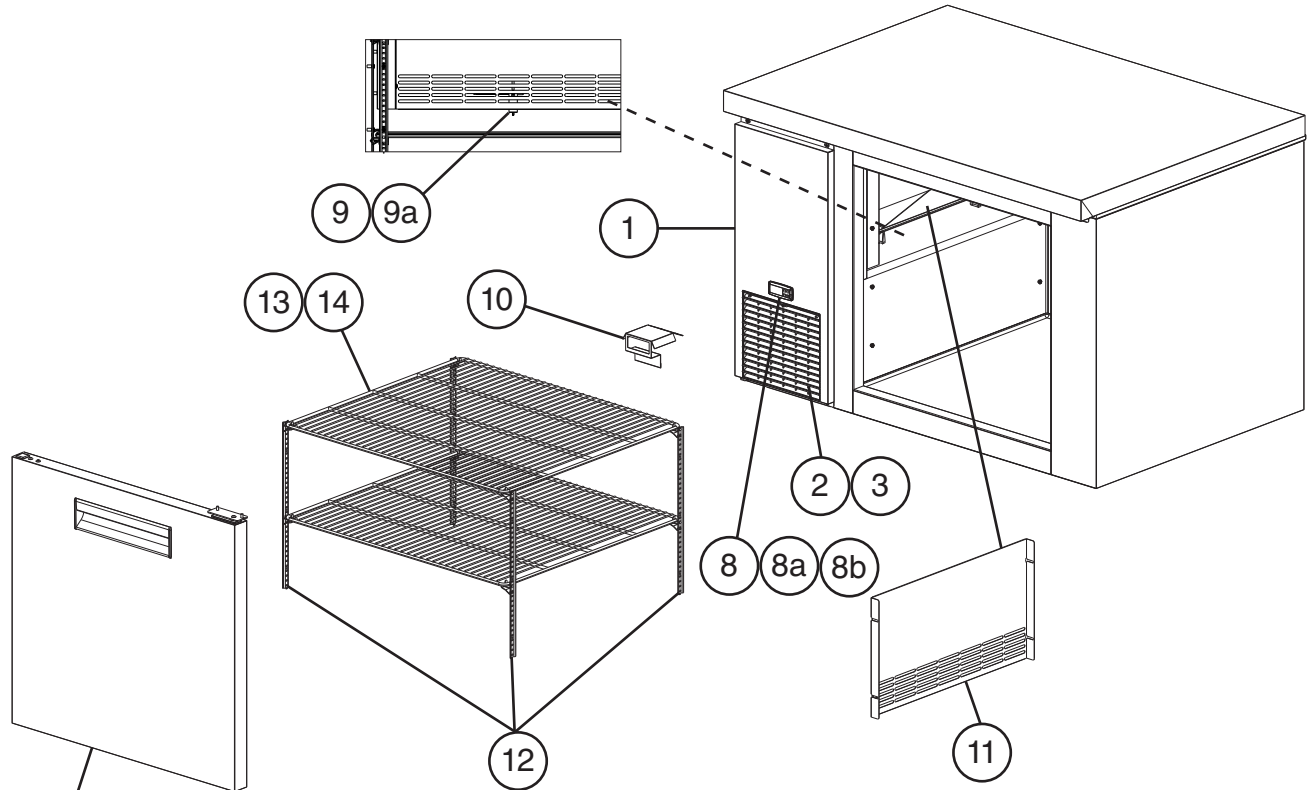
Most assemblies cannot be ordered as complete units; parts in the assemblies generally must be ordered separately.

A. Main Assembly

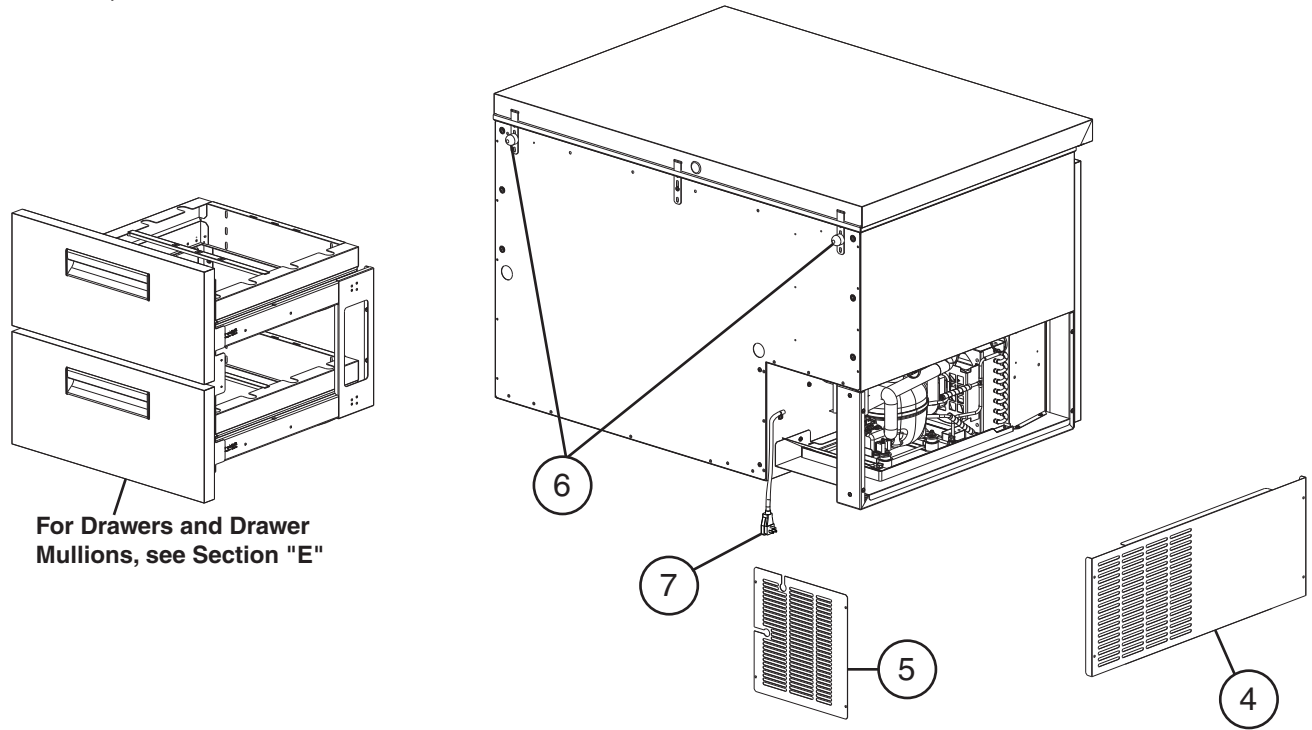
_LR46B(-D2)(-L), _LF46B Undercounter, Worktop

1/3

N-5 to Q-5



For Door, see Sections "C or D"



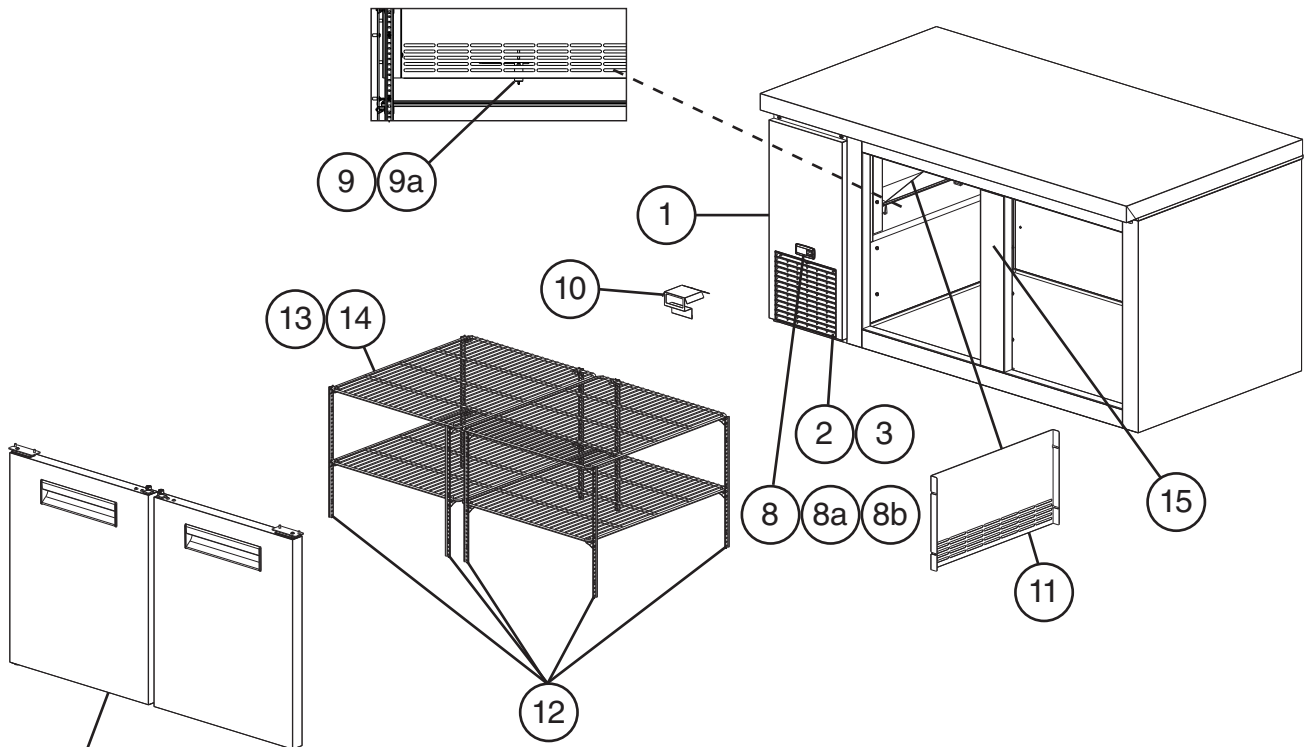
For Drawers and Drawer Mullions, see Section "E"

A. Main Assembly

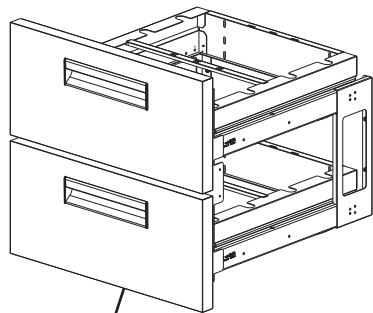
_LR60B(-Dx), _LF60B, _LR67B(-Dx), _LF67B Undercounter, Worktop

2/3

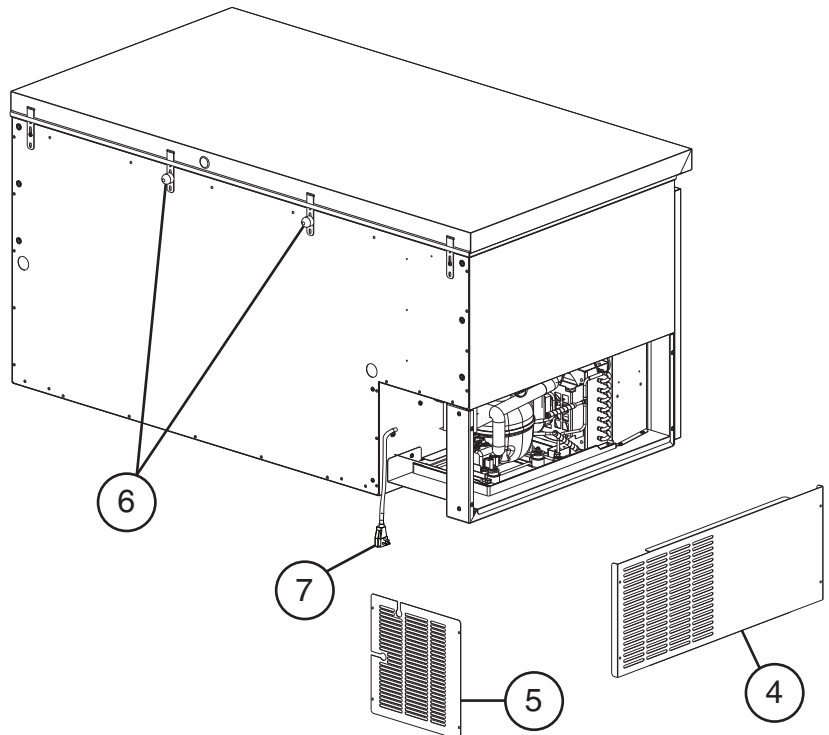
N-5 to Q-6



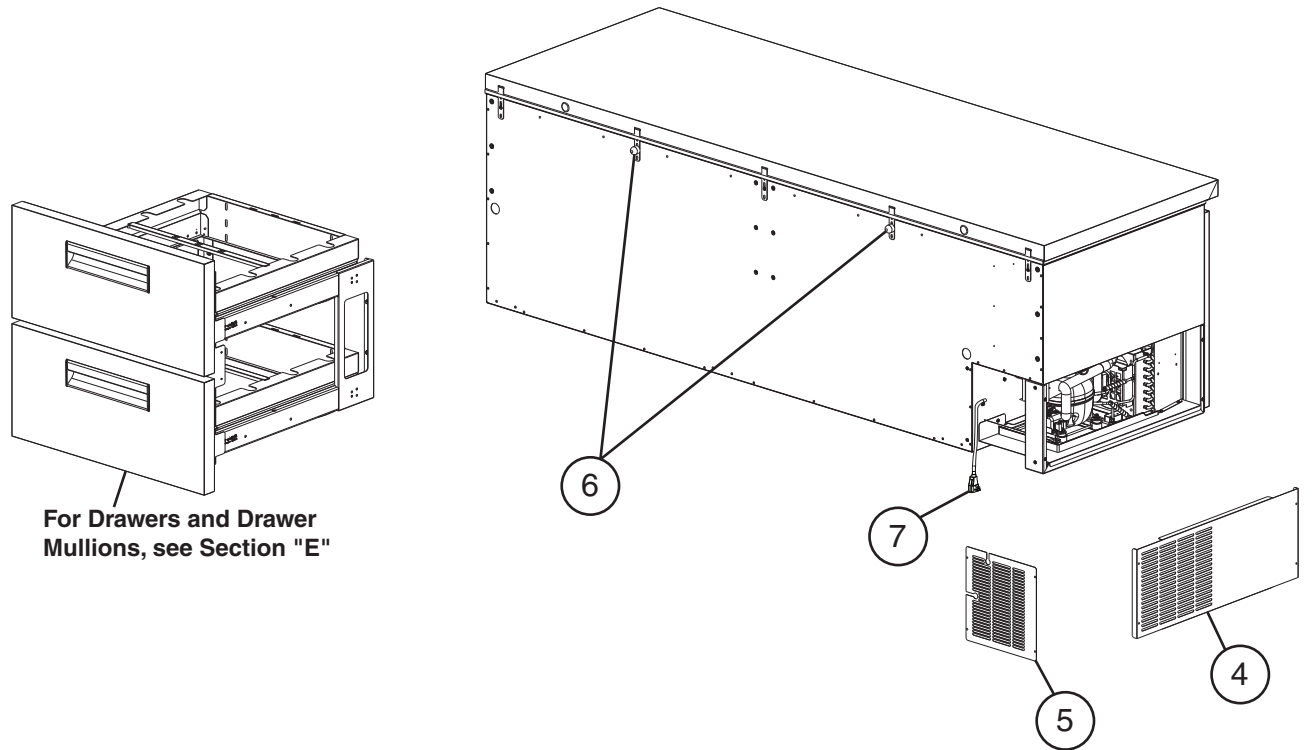
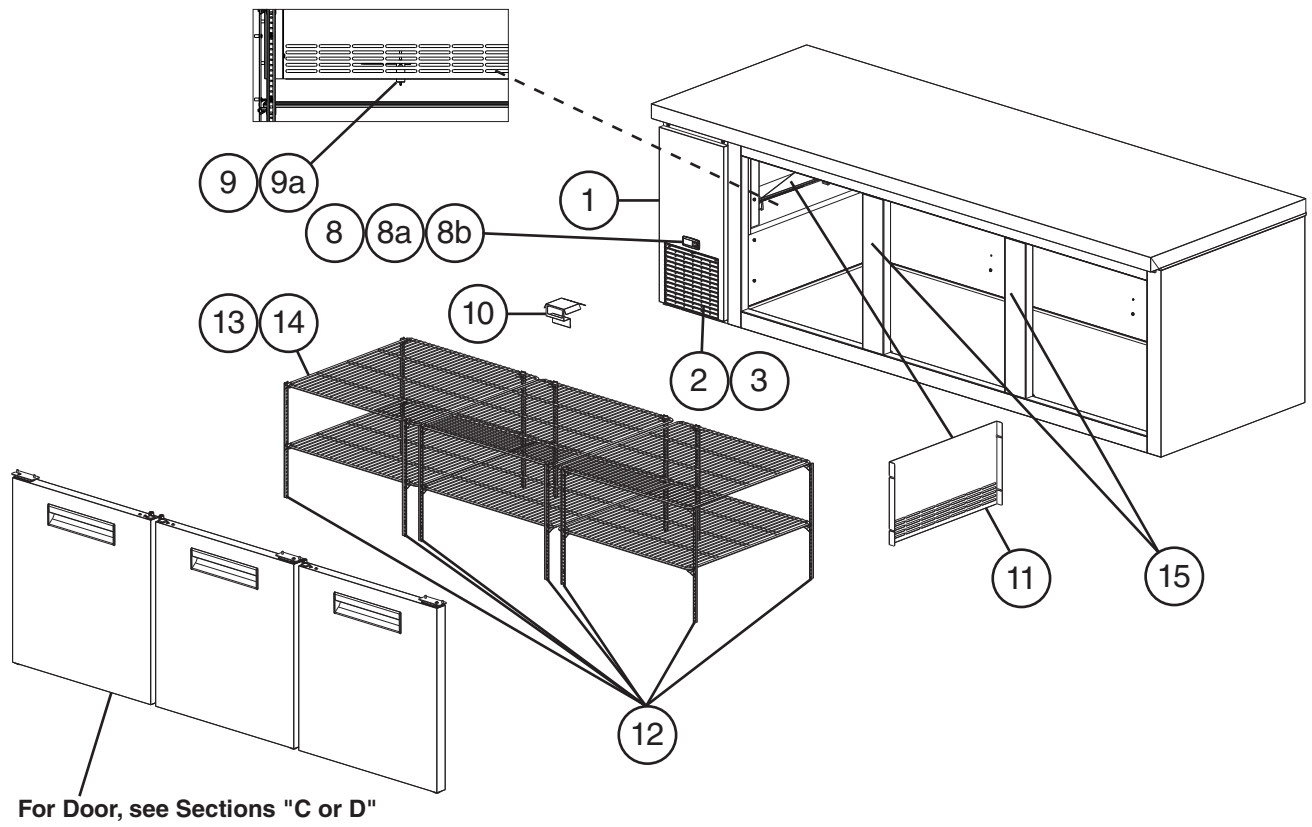
For Door, see Sections "C or D"



For Drawers and Drawer Mullions, see Section "E"



A. Main Assembly
LR93B(-Dx) Undercounter, Worktop
3/3
 N-5 to P-5

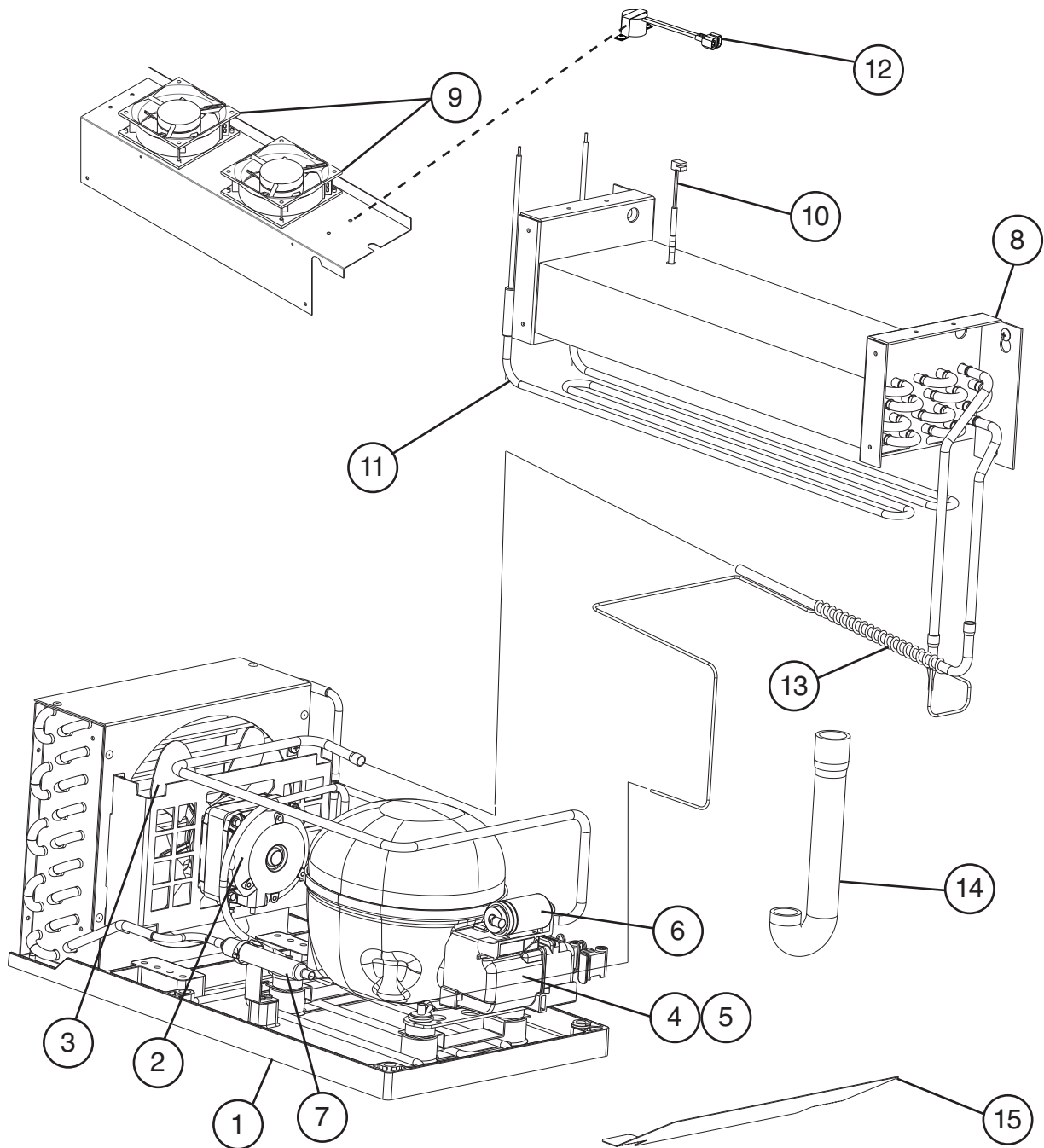


Title: A. Main Assembly													
Models: _LR46B(-D2)(-L), _LF46B, _LR60B(-Dx), _LF60B, _LR67B(-Dx), _LF67B, _LR93B(-Dx)													
Index No.	Description	Material or Model Number	Part Number	Required Number									
				N-5 to Q-5									
1	Front Panel (includes items 2, 3, 8 and 10)	_LR_B	3B1699A01	1									
		_LF_B	3B1785A01	1									
2	Louver		103344-07	1									
3	Air Filter		208840G03	1									
4	Left Side Panel		2A9985-01	1									
5	Rear Louver Panel		3B0980-01	1									
6	Bumper		3A6696-01	2									
7	Wire Harness (includes power supply cord)		3B1666-01	1									
8	Cabinet Control Module (includes items 8a and 8b)	_LR_B	4A7415G01	1									
		_LF_B	4A7456G01	1									
8a	Retainer Clip		4A7085-01	2									
8b	Control Module Gasket		4A7127-01	1									
9	Cabinet Thermistor		4A7084-01	1									
9a	Thermistor Bracket		4A5478-01	1									
10	Deflector		3B1541-01	1									
11	Evaporator Shroud		1A6423-02	1									
12	Pilaster	_LR46B(-L) _LF46B	4A5583-01	4									
		_LR60B _LF60B _LR67B _LF67B		8									
		_LR93B		12									
13	Shelf	_LR46B(-L) _LF46B	3A2830-13	2									
		_LR60B _LF60B	3A2830-21	4									
		_LR67B _LF67B	3A2830-12	4									
		_LR93B		6									
14	Shelf Clip	_LR46B(-L) _LF46B	4A5418-01	8									
		_LR60B _LF60B _LR67B _LF67B		16									
		_LR93B		24									
15	Vertical Mullion	_LR60B(-D2)(-D4) _LR93B(-D2)(-D4) _LF60B	2B0822G01	1									
				2									
				1									
		_LF67B _LR67B(-D2)	2B0821G01	1									

B. Refrigeration Circuit

_LR46B(-D2)(-L), _LF46B, _LR60B(-Dx), _LF60B, _LR67B(-Dx), _LF67B,
_LR93B(-Dx)

N-5 to Q-6



For compressor or condenser replacement, order item 1.

Title: B. Refrigeration Circuit

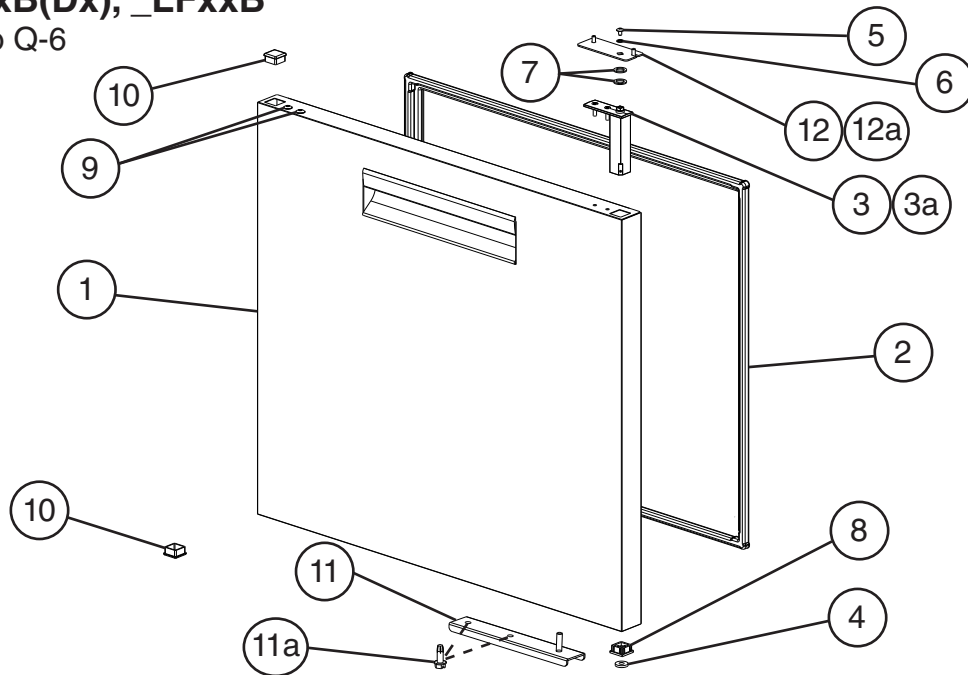
Models: _LR46B(-D2)(-L), _LF46B, _LR60B(-Dx), _LF60B, _LR67B(-Dx), _LF67B, _LR93B(-Dx)

Index No.	Description	Material or Model Number	Part Number	N-5 to Q-5	Required Number								
1	Condensing Unit (includes compressor, condenser, and items 2 through 7; compressor and condenser are not sold individually)	_LR46B(-D2)(-L) _LR60B(-Dx) _LR67B(-Dx)	3B0453-01	1									
		_LF46B _LR93B(-Dx)	3B0964-01	1									
		_LF60B _LF67B	3B0992-01	1									
2	Condenser Fan Motor	_LR46B(-D2)(-L) _LF46B _LR60B(-Dx) _LR67B(-Dx) _LR93B(-Dx)	3A6798-01	1									
		_LF60B _LF67B	4A7104-01	1									
3	Condenser Fan Blade		3A6799-01	1									
4	Compressor External Protector	_LR46B(-D2)(-L) _LR60B(-Dx) _LR67B(-Dx)	3A9475-01	1									
		_LF46B _LF60B _LF67B _LR93B(-Dx)	3B0897-01	1									
5	Start Relay		3A9476-01	1									
6	Run Capacitor	_LR46B(-D2)(-L) _LR60B(-Dx) _LR67B(-Dx)	3A9477-01	1									
		_LF46B _LF60B _LF67B _LR93B(-Dx)	3B0898-01	1									
7	Drier		4A5576-01	1									
8	Evaporator		2B0101-01	1									
9	Evaporator Fan Motor	_LR46B(-D2)(-L) _LF46B _LR60B(-Dx) _LF60B _LR67B(-Dx) _LF67B _LR93B(-Dx)	4A6192-01	2									
10	Defrost Thermistor	_LRxxB(-Dx) _LFxxB	4A7083-01	1									
11	Defrost Heater	_LFxxB	3B0457-01	1									
12	Defrost Safety Thermostat	_LFxxB	4A6194-01	1									
13	Heat Exchanger	_LR46B(-D2)(-L) _LR60B(-Dx) _LR67B(-Dx)	3B1501G01	1									
		_LF46B	3B1618G01	1									
		_LF60B _LF67B	3B1668G01	1									
		_LR93B(-Dx)	3B1039G01	1									
14	Drain Hose		3B0477-01	1									
15	Drip Ramp		3B0835-01	1									

C. Door-Right Hinged Solid

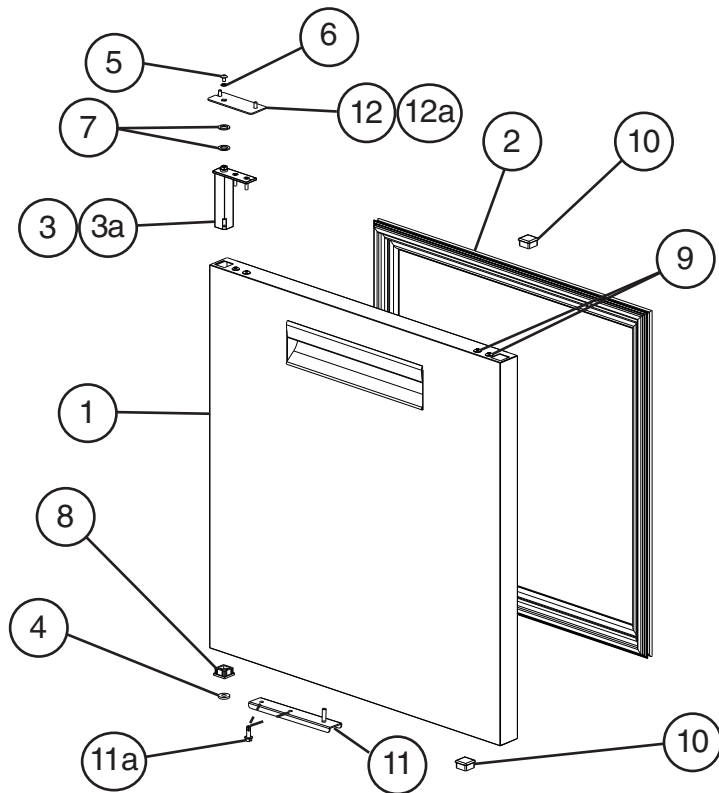
_LRxxB(Dx), _LFxxB

N-5 to Q-6



Title: C. Door-Right Hinged Solid Models: <u>_LRxxB(-Dx), _LFxxB</u>					Required Number Per Section														
Index No.	Description	Material or Model Number	Part Number	N-5 to Q-5															
					1	Door Assembly (includes items 2 through 10)	<u>_LR46B</u> <u>_LF46B</u>	2A9409G04	1										
		<u>_LR60B(-D2)</u> <u>_LF60B</u>	2A9409G06	1															
		<u>_LR67B(-D2)</u> <u>_LF67B</u> <u>_LR93B(-D2)(-D4)</u>	2A9409G01	1															
2	Gasket	<u>_LR46B/_LF46B</u>	2A6996-12	1															
		<u>_LR60B(-D2)</u> <u>_LF60B</u>	2A6996-11	1															
		<u>_LR67B(-D2)</u> <u>_LF67B</u> <u>_LR93B(-D2)(-D4)</u>	2A6996-10	1															
3	Hinge Spring Cartridge (includes items 3a through 8)		3A9206-01	1															
3a	Countersunk Screw		7C42-0520	2															
4	Thrust Washer		4A5234-01	1															
5	Screw		4A5230-01	1															
6	Lock Washer		4A5231-01	1															
7	Thrust Washer		4A5233-01	2															
8	Bearing		4A5232-01	1															
9	Truss Head Screw (filler screws)		7C32-0510	2															
10	End Cap		4A5432-01	2															
11	Lower Hinge Bracket		3A6681G01	1															
11a	Hex Head Tapping Bolt		4A5213-01	2															
12	Upper Hinge Bracket		3A6810-01	1															
12a	Truss Head Screw		7C32-0512	2															

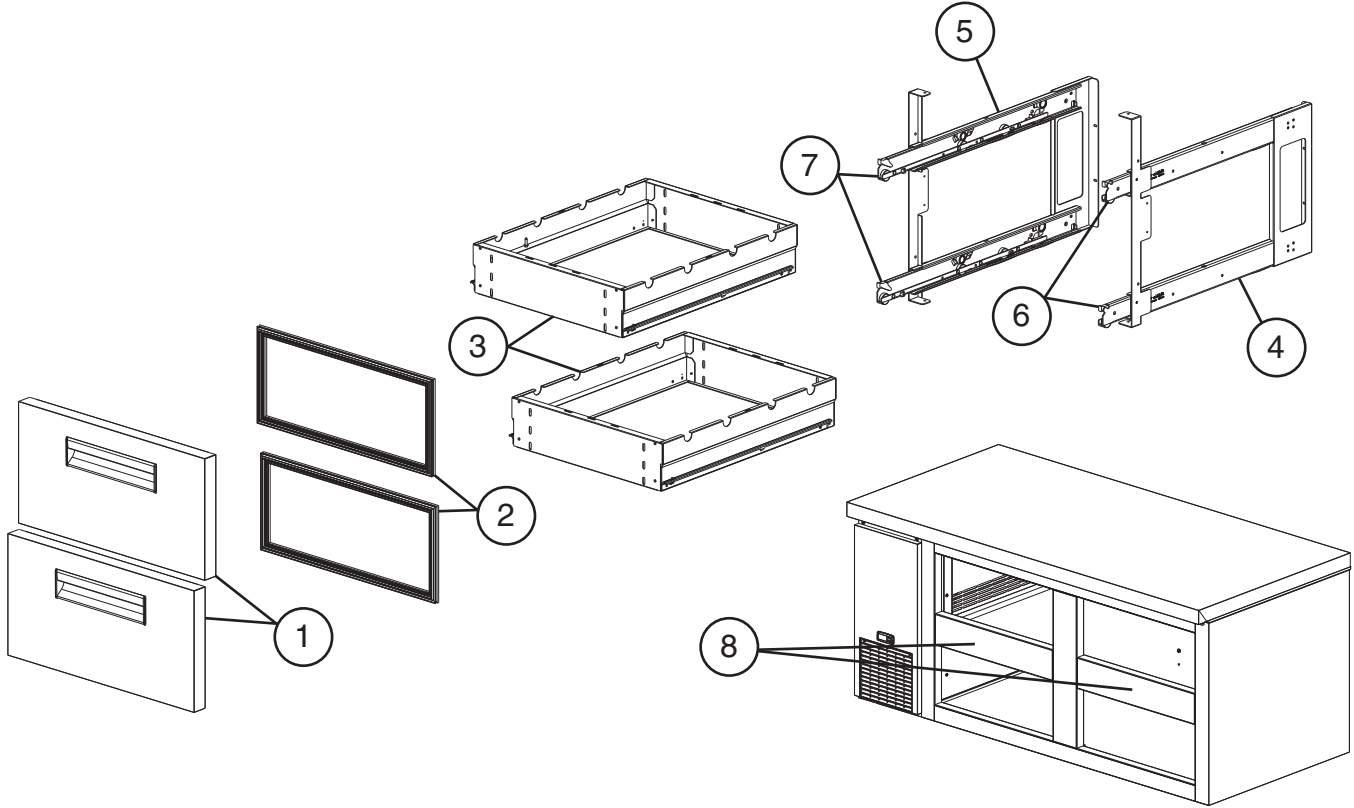
D. Door-Left Hinged Solid
_LRxxB, _LFxxB
 N-5 to Q-6



Title: D. Door-Left Hinged Solid Models: _LRxxB, _LFxxB																			
Index No.	Description	Material or Model Number	Part Number	Required Number Per Section															
				N-5 to Q-5															
1	Door Assembly (includes items 2 through 10)	ULR46B-L	2A9411G03	1															
		_Lx60B	2A9411G01	1															
		_Lx67B	2A9411G05	1															
		_LR93B																	
2	Gasket	ULR46B-L	2A6996-12	1															
		_Lx60B	2A6996-11	1															
		_Lx67B	2A6996-10	1															
		_LR93B																	
3	Hinge Spring Cartridge (includes items 3a through 8)		3A9206-01	1															
3a	Countersunk Screw		7C42-0520	2															
4	Thrust Washer		4A5234-01	1															
5	Screw		4A5230-01	1															
6	Lock Washer		4A5231-01	1															
7	Thrust Washer		4A5233-01	2															
8	Bearing		4A5232-01	1															
9	Truss Head Screw (filler screws)		7C32-0510	2															
10	End Cap		4A5432-01	2															
11	Lower Hinge Bracket		3A6681G01	1															

Title: D. Door-Left Hinged Solid Models: _LRxxB, _LFxxB											
Index No.	Description	Material or Model Number	Part Number	N-5 to Q-5	Required Number Per Section						
11a	Hex Head Tapping Bolt		4A5213-01	2							
12	Upper Hinge Bracket		3A6810-01	1							
12a	Truss Head Screw		7C32-0512	2							

E. Drawers
_LRxxB(-Dx)
 N-5 to Q-6

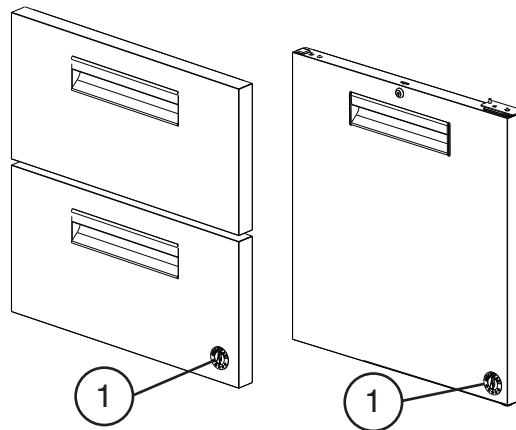


Title: G. Drawers Models: _LRxxB(-Dx)					Required Number Per Section														
Index No.	Description	Material or Model Number	Part Number	N-5 to Q-5															
					1	Drawer Face (includes item 2)	_LR46B-D2	2A9760G01	2										
		_LR60B-D(x)	2A9759G01	2															
		_LR67B-D(x)	2A9736G01	2															
		_LR93B-D(x)																	
2	Drawer Gasket	_LR46B-D2	2A5192-16	2															
		_LR60B-D(x)	2A5192-17	2															
		_LR67B-D(x)	2A5192-15	2															
		_LR93B-D(x)																	
3	Drawer Box	_LR46B-D2	2A7236G01	2															
		_LR60B-D(x)	2B0060G01	2															
		_LR67B-D(x)	2A7319G01	2															
		_LR93B-D(x)																	
4	Right Drawer Frame		2A7338G01	1															
5	Left Drawer Frame		2A7339G01	1															
6	Right Side Roller		4A5674-02	2															
7	Left Side Roller		4A5674-05	2															
8	Horizontal Mullion	_LR46B-D2	2A7406G01	1															
		_LR60B-D(x)	2B0059G01	1															
		_LR67B-D(x)	2A7174G01	1															
		_LR93B-D(x)																	

F. Accessories & Labels

_LRxxB(-Dx), _LFxxB

N-5 to Q-6



Title: H. Accessories & Labels Models: _LRxxB(-Dx), _LFxxB Undercounter, Worktop											
Index No.	Description	Material or Model Number	Part Number	Required Number							
				N-5 to Q-5							
1	Penguin Label		475552L01	1							
Undercounters											
2	4" Caster Kit (includes 2 of items 3 and 4)	HS-5035	4A5434A01	1							
3	4" Non-Locking Caster	UL_46B(-D2) ULR93B(-Dx)	4A5427-01	3							
		UL_60B(-Dx) UL_67B(-Dx)		2							
4	4" Locking Caster	UL_46B(-D2) ULR93B(-Dx)	4A5427-02	3							
		UL_60B(-Dx) UL_67B(-Dx)		2							
Worktops											
5	6" Caster Kit (includes 2 of items 6 and 7)	HS-5036	4A5435A01	1							
6	6" Non-Locking Caster	WL_46B(-D2) WLR93B(-Dx)	4A5428-01	3							
		WL_60B(-Dx) WL_67B(-Dx)		2							
7	6" Locking Caster	WL_46B(-D2) WLR93B(-Dx)	4A5428-02	3							
		WL_60B(-Dx) WL_67B(-Dx)		2							