



# HOSHIZAKI

## Parts List

Refrigerated Kitchen Equipment  
Steelheart B Series

Models  
Undercounter  
Worktop  
Prep Table



[hoshizakiamerica.com](http://hoshizakiamerica.com)

Number: 71437  
Issued: 7-31-2020  
Revised: 6-29-2022

## CONTENTS

Auxiliary Codes.....	3
Model Codes .....	8
A. Main Assembly .....	9
UR27B, WR27B, SR27B, UF27B, and WF27B Undercounter, Worktop, and Prep Table .	9
UR36B, WR36B, SR36B Undercounter, Worktop, and Prep Table .....	12
UR48B, WR48B, SR48B, UF48B, and WF48B Undercounter, Worktop, and Prep Table	14
UR60B, WR60B, SR60B, UF60B, and WF60B Undercounter, Worktop, and Prep Table	17
UR72B, WR72B, SR72B Undercounter, Worktop, and Prep Table .....	21
B. Refrigeration Circuit.....	25
UR27B and WR27B Undercounter and Worktop .....	25
SR27B, UF27B, WF27B, UR36B, WR36B, and SR36B Undercounter, Worktop, and Prep Table .....	27
UR48B, WR48B, UF48B, WF48B, and SR48B Undercounter, Worktop, and Prep Table	29
UR60B, WR60B, UF60B, WF60B, and SR60B Undercounter, Worktop, and Prep Table	31
UR72B, WR72B, and SR72B Undercounter, Worktop, and Prep Table .....	33
C. Door-Right Hinged Solid.....	35
D. Door-Left Hinged Solid .....	37
E. Door-Right Hinged Glass.....	39
F. Door-Left Hinged Glass .....	40
G. Drawer .....	41
H. Accessories & Labels .....	43

## Auxiliary Codes

### **UR27B**

K-5 March 2020  
L-5 June 2021  
M-5 January 2022

### **UR27B-GLP01**

K-5 March 2020  
L-5 July 2021  
M-5 May 2022

### **UR27B-01**

L-5 June 2021  
M-5 May 2022

### **UR27B-LP**

L-5 June 2021  
M-5 January 2022

### **UR27B-LPC**

L-5 June 2021  
M-5 January 2022

### **UR27B-LPW**

L-5 June 2021  
M-5 February 2022

### **UR27B-LPCL**

M-5 June 2022

### **UR27B-D2**

L-5 June 2021  
M-5 January 2022

### **WR27B**

L-5 June 2021  
M-5 February 2022

### **WR27B-01**

L-5 September 2021  
M-5 May 2022

### **WR27B-D2**

L-5 June 2021  
M-5 May 2022

### **SR27B-8**

L-5 June 2021  
M-5 January 2022

### **SR27B-8D2**

L-5 July 2021  
M-5 February 2022

### **SR27B-12M**

K-5 February 2020  
M-5 January 2022

### **SR27B-12MD2**

K-5 November 2020  
M-5 February 2022

### **UF27B**

K-5 March 2020  
L-5 June 2021  
M-5 January 2022

### **UF27B-GLP01**

K-5 March 2020  
L-5 July 2021  
M-5 June 2022

### **UF27B-01**

L-5 July 2021  
M-5 May 2022

### **UF27B-LP**

L-5 June 2021  
M-5 February 2022

### **UF27B-D2**

L-5 June 2021  
M-5 February 2022

### **WF27B**

K-5 November 2020  
M-5 February 2022

### **WF27B-01**

L-5 June 2021  
M-5 April 2022

### **WF27B-D2**

L-5 June 2021  
M-5 April 2022

## **Auxiliary Codes Continued**

### **UR36B**

K-5 February 2020  
L-5 June 2021  
M-5 February 2022

### **UR36B-01**

L-5 September 2021  
M-5 June 2022

### **WR36B**

L-5 June 2021  
M-5 June 2022

### **WR36B-01**

L-5 September 2021  
M-5 June 2022

### **SR36B-10**

L-5 June 2021  
M-5 May 2022

### **SR36B-15M**

K-5 February 2020  
L-5 June 2021  
M-5 February 2022

## Auxiliary Codes Continued

### **UR48B**

L-5 March 2021  
M-5 January 2022

### **UR48B-GPL01**

L-5 March 2021  
M-5 January 2022

### **UR48B-01**

L-5 November 2021  
M-5 February 2022

### **UR48B-D2**

M-5 February 2022

### **UR48B-D4**

L-5 December 2021  
M-5 January 2022

### **WR48B**

L-5 November 2021  
M-5 February 2022

### **WR48B-01**

L-5 November 2021  
M-5 February 2022

### **WR48B-D2**

M-5 January 2022

### **WR48B-D4**

M-5 March 2022

### **SR48B-8**

L-5 November 2021  
M-5 January 2022

### **SR48B-12**

L-5 September 2021  
M-5 January 2022

### **SR48B-12D2**

M-5 June 2022

### **SR48B-12D4**

L-5 September 2021  
M-5 June 2022

### **SR48B-12M**

L-5 September 2021  
M-5 June 2022

### **SR48B-18M**

L-5 September 2021  
M-5 January 2022

### **SR48B-18MD2**

L-5 March 2021  
M-5 January 2022

### **SR48B-18MD4**

M-5 March 2022

### **UF48B**

L-5 March 2021  
M-5 March 2022

### **UF48B-01**

M-5 July 2022

### **UF48B-D4**

M-5 May 2022

### **WF48B**

L-5 November 2021  
M-5 April 2022

### **WF48B-01**

L-5 November 2021  
M-5 June 2022

### **WF48B-D4**

M-5 March 2022

## Auxiliary Codes Continued

### **UR60B**

L-5 April 2021  
M-5 January 2022

### **UR60B-01**

M-5 February 2022

### **UR60B-D2**

M-5 February 2022

### **UR60B-D4**

M-5 January 2022

### **WR60B**

L-5 October 2021  
M-5 February 2022

### **WR60B-01**

M-5 February 2022

### **WR60B-D2**

M-5 February 2022

### **WR60B-D4**

M-5 TBD 2022

### **SR60B-8**

M-5 July 2022

### **SR60B-12**

L-5 November 2021  
M-5 June 2022

### **SR60B-12M**

M-5 July 2022

### **SR60B-16**

L-5 November 2021  
M-5 February 2022

### **SR60B-18M**

L-5 November 2021  
M-5 January 2022

### **SR60B-24M**

L-5 January 2021  
M-5 January 2022

### **SR60B-24MD2**

L-5 April 2021  
M-5 July 2022

### **SR60B-24MD4**

L-5 November 2021  
M-5 April 2022

### **UF60B**

L-5 April 2021  
M-5 May 2022

### **UF60B-01**

L-5 October 2021  
M-5 July 2022

### **WF60B**

L-5 October 2021  
M-5 TBD 2022

### **WF60B-01**

M-5 TBD 2022

**Auxiliary Codes  
Continued**

**UR72B**

L-5 April 2021  
M-5 January 2022

**UR72B-01**

M-5 TBD 2022

**UR72B-D6**

M-5 January 2022

**WR72B**

L-5 October 2021  
M-5 February 2022

**WR72B-01**

M-5 TBD 2022

**WR72B-D6**

M-5 TBD 2022

**SR72B-12**

M-5 TBD 2022

**SR72B-16**

M-5 April 2022

**SR72B-18**

L-5 October 2021  
M-5 May 2022

**SR72B-18M**

L-5 November 2021  
M-5 TBD 2022

**SR72B-24M**

M-5 June 2022

**SR72B-30M**

L-5 October 2021  
M-5 April 2022

**SR72B-30MD2**

M-5 April 2022

**SR72B-30MD4**

L-5 April 2021  
M-5 TBD 2022

**SR72B-30MD6**

M-5 May 2022

## **Model Codes**

The model number code breakdown is as follows:

U - Undercounter

W - Worktop

S - Prep Table

R - Refrigerator

F - Freezer

27, 36, 48, 60, 72 - Width

After Dash (-) Nomenclature:

-GLP - Glass Door

-01 - Locks

-LP - Low Profile Casters

-LPC - Low Profile Stainless Steel Shelf

-LPW - Low Profile Salad Dressing Holders on Door

-D2, -D4, -D6 - Drawers and Drawer/Door Combination

-8, -10, -12, -16, -18 - Prep Table Number of Pans

-12M, -15M, -18M, -24M, -30M – Mega Top Number of Pans

## **Auxiliary Code Breakdown**

The auxiliary code is the first two characters in the serial number. The first character indicates the year. Years progress or regress in alphabetical order. The series runs from "A" through "V" and the letters "I" and "O" are skipped. The second character indicates significant part changes within a year. Base is "5" and this number advances for each change. In cases where there is a letter in parentheses, this designates the month. This is the last character in the serial number. The series runs from "(A)" through "(M)" and the letter "(I)" is skipped. This designation is only included when identifying a parts change within an auxiliary code.

## **Note About Ordering Parts**

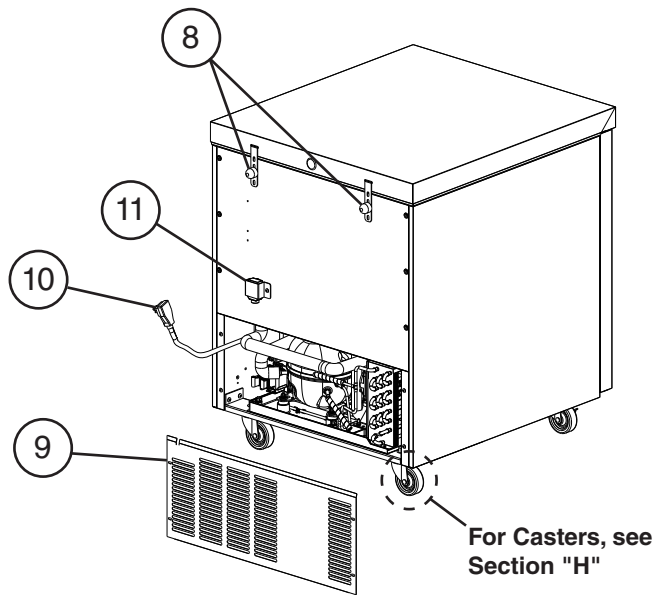
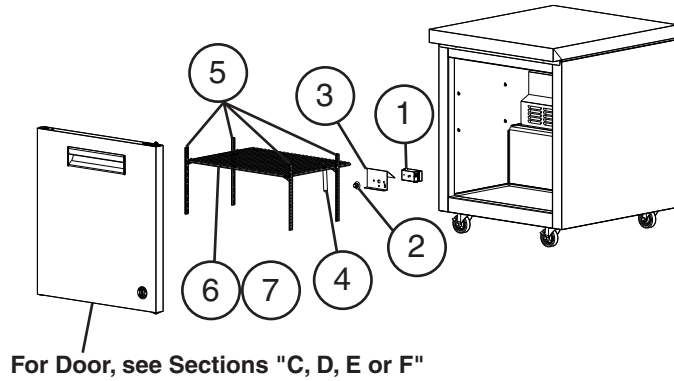
Most assemblies cannot be ordered as complete units; parts in the assemblies generally must be ordered separately.

# A. Main Assembly

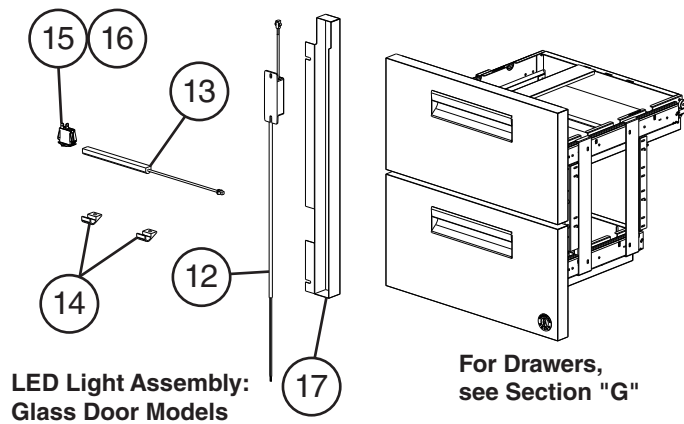
## UR27B, WR27B, SR27B, UF27B, and WF27B Undercounter, Worktop, and Prep Table

K-5 to M-5

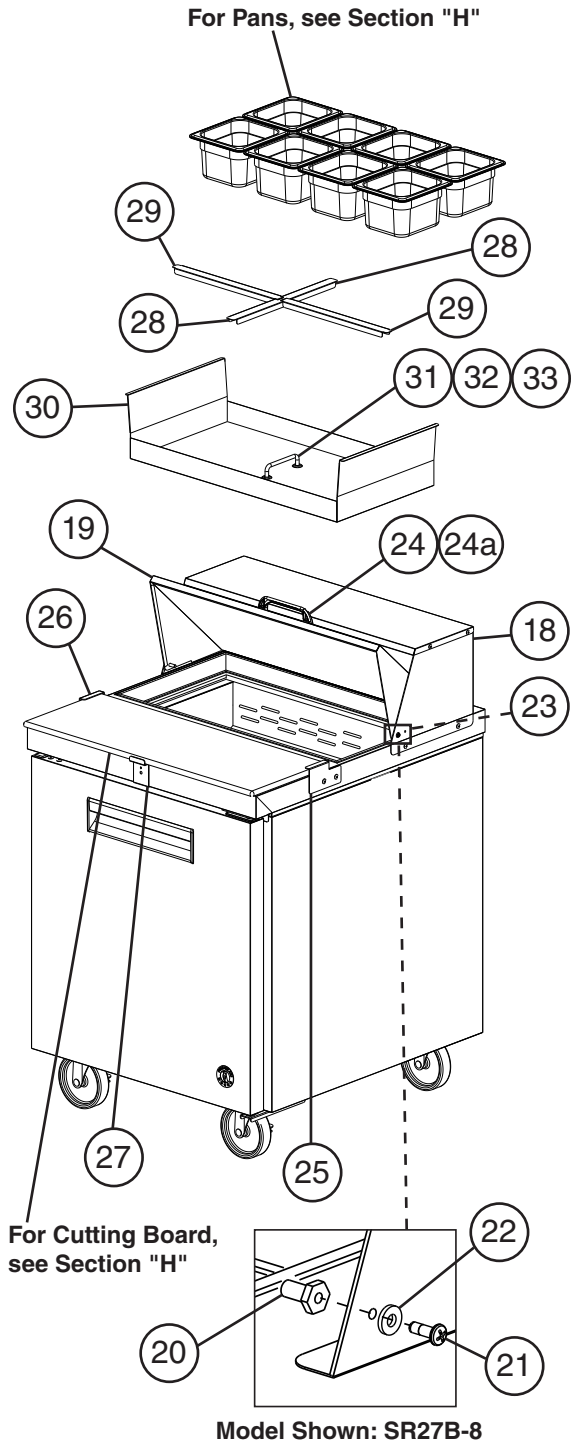
### Undercounter, Worktop, Prep Table Common Parts



Model Shown: UF27B



### Prep Table Specific Parts



**Title: A. Main Assembly Models: UR27B, WR27B, SR27B, UF27B, and WF27B Undercounter, Worktop, and Prep Table**

Index No.	Description	Material or Model Number	Part Number	Required Number							
				K-5 to M-5							
<b>Common Parts</b>											
1	Control Module	<b>All UC/WT Refrigerator</b>	4A6907G01	1							
		<b>All UC/WT Freezers</b>	4A6907G03	1							
		<b>All Prep Tables</b>	4A6907G02	1							
2	Dial Knob		4A7052-01	1							
3	Control Module Bracket		3B0913-01	1							
4	Cabinet Thermometer		461083-02	1							
5	Side Pilaster	<b>All UC/WT Prep Tables Except D(X) Models</b>	4A5854-01	4							
6	Shelf	<b>All UC/WT Prep Tables Except D(X) Models and LPC Models</b>	3A2830-07	1							
		<b>LPC Models</b>	3A2830-14	1							
			3A2830-20	1							
7	Shelf Clip	<b>All UC/WT Prep Tables Except D(X) Models and LPC models</b>	4A5418-01	4							
		<b>LPC Models</b>		8							
8	Bumper		3A6696-01	2							
9	Rear Panel		1A6049-01	1							
10	Wire Harness (includes power cord)		4A6865-01	1							
11	Pressure Relief Valve	<b>All UC/WT Freezers</b>	4A5694-01	1							
12	LED Driver	<b>GLP01</b>	1A5501-01	1							
13	LED Lamp		3A9348-01	1							
14	LED Clip		4A5906-01	2							
15	LED Switch		4A6067-01	1							
16	LED Switch Gasket		4A6075-01	1							
17	Channel			4A6064-01	1						

**Title: A. Main Assembly    Models: UR27B, WR27B, SR27B, UF27B, and WF27B Undercounter, Worktop, and Prep Table**

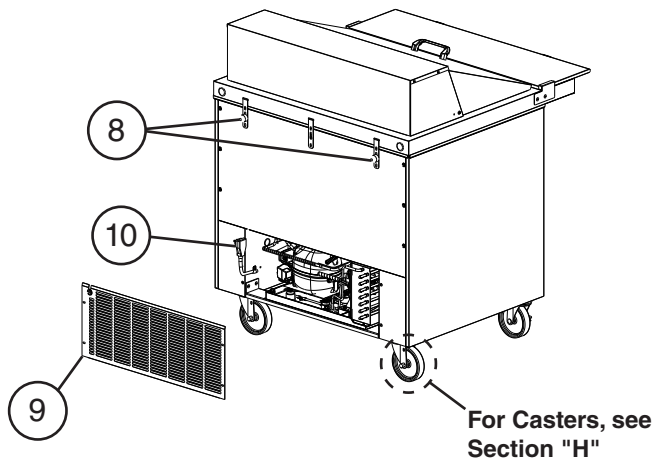
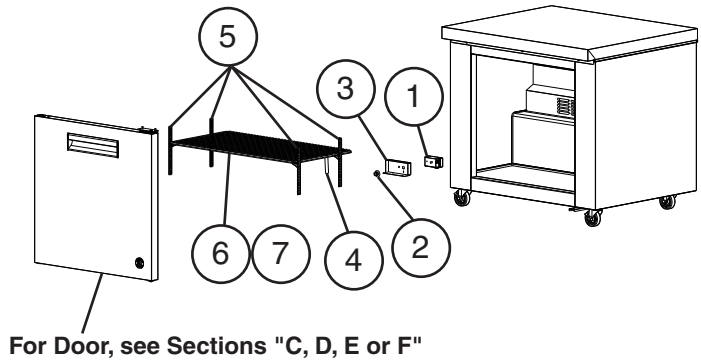
Index No.	Description	Material or Model Number	Part Number	Required Number									
				K-5 to M-5									
<b>Prep Table Specific Parts</b>													
18	Rail Hood		3A9407A01	1									
19	Rail Cover (includes items 20 through 24a)	-8, -8D2	3A9410A01	1									
		-12M, -12MD2	3A9411A01	1									
20	Pivot Pin		4A6161-01	2									
21	Pivot Bolt		4A6160-01	2									
22	Flat Washer		7W22I0832	2									
23	Tree Clip		4A0579-01	2									
24	Handle		1A3416-01	1									
24a	Pan Head Screw		7C12I1412	2									
25	Right Cutting Board Bracket	-8, -8D2, -12M, -12MD2	3A8971-02	1									
26	Left Cutting Board Bracket	-8, -8D2, -12M, -12MD2	3A8971-01	1									
27	Center Cutting Board Bracket	-8, -8D2	4A5905-01	1									
		-12M, -12MD2	4A6794-01	2									
28	Rail Divider (front-to-back)	-8, -8D2 (HS-5187)	3A8903-01	1									
		-12M, -12MD2 (HS-5184)	3A8855-01	1									
29	Rail Divider (side-to-side)	-8, -8D2 (HS-5185)	3B0027-03	2									
		-12M, -12MD2 (HS-5185)		4									
30	Catch Tray (includes items 31 through 33)	-8, -8D	2A9781A01	1									
		-12M, -12MD2	2A9781A02	1									
31	Handle		4A4518-01	1									
32	Pan Head Screw	8x32	7C12I0838	2									
33	Flat Washer	-8, -8D	7W22-0400	2									
		-12M, -12MD2	7W22-0500	2									

# A. Main Assembly

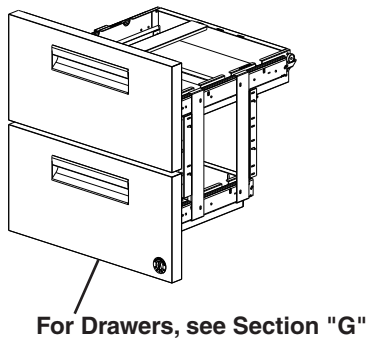
## UR36B, WR36B, SR36B Undercounter, Worktop, and Prep Table

K-5 to M-5

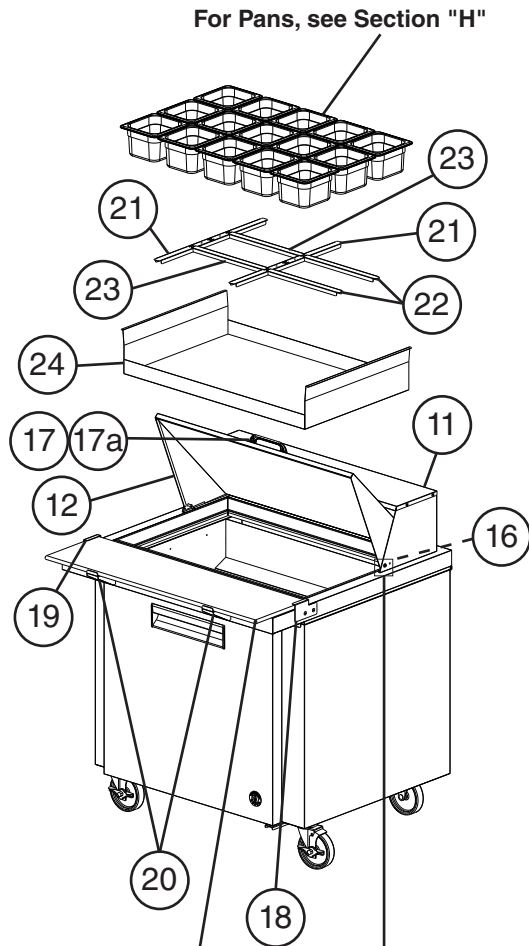
### Undercounter, Worktop, Prep Table Common Parts



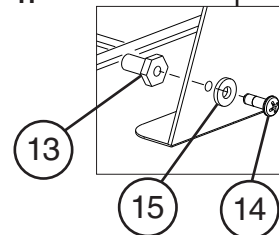
Model Shown: SR36B-15M



### Prep Table Specific Parts



For Cutting Board, see Section "H"



Model Shown: SR36B-15M

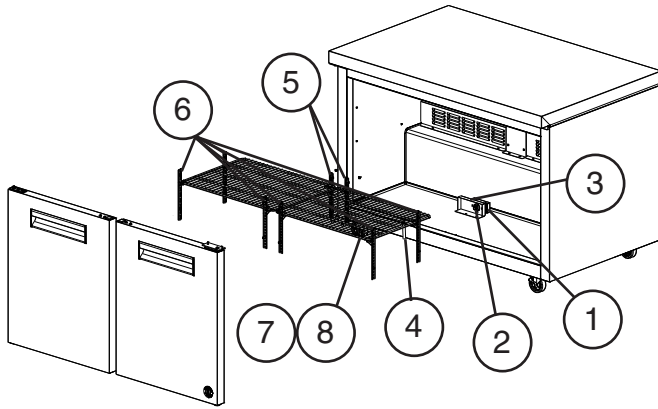
Title: A. Main Assembly Models: UR36B, WR36B, and SR36B Undercounter, Worktop, and Prep Table												
Index No.	Description	Material or Model Number	Part Number	K-5 to M-5	Required Number							
<b>Common Parts</b>												
1	Control Module	UC/WT	4A6907G01	1								
		Prep Table	4A6907G02	1								
2	Dial Knob		4A7052-01	1								
3	Control Module Bracket		3B0929-01	1								
4	Cabinet Thermometer		461083-02	1								
5	Side Pilaster		4A5719-01	4								
6	Shelf		3A6876-05	1								
7	Shelf Clip		4A5418-01	6								
8	Bumper		3A6696-01	2								
9	Rear Panel		1A6057-01	1								
10	Wire Harness (includes power cord)		4A6865-01	1								
<b>Prep Table Specific Parts</b>												
11	Rail Hood		3A9406A01	1								
12	Rail Cover (includes items 13 through 17a)	-10	3A9408A01	1								
		-15M	3A9409A01	1								
13	Pivot Pin		4A6161-01	2								
14	Pivot Bolt		4A6160-01	2								
15	Flat Washer		7W22I0832	2								
16	Tree Clip		4A0579-01	2								
17	Handle		1A3416-01	1								
17a	Pan Head Screw		7C12I1412	2								
18	Right Cutting Board Bracket		3A8971-02	1								
19	Left Cutting Board Bracket		3A8971-01	1								
20	Center Cutting Board Bracket	-10	4A5905-01	1								
		-15M	4A6794-01	2								
21	Rail Divider (front-to-back)	-10 (HS-5187)	3A8903-01	2								
		-15M (HS-5184)	3A8855-01	2								
22	Rail Divider (side-to-side outer)	-10 (HS-5185)	3B0027-03	1								
		-15M (HS-5185)		2								
23	Rail Divider (side-to-side center)	-10 (HS-5186)	3B0028-03	1								
		-15M (HS-5186)		2								
24	Catch Tray	-10	1A6157-02	1								
		-15M	1A6157-03	1								

# A. Main Assembly

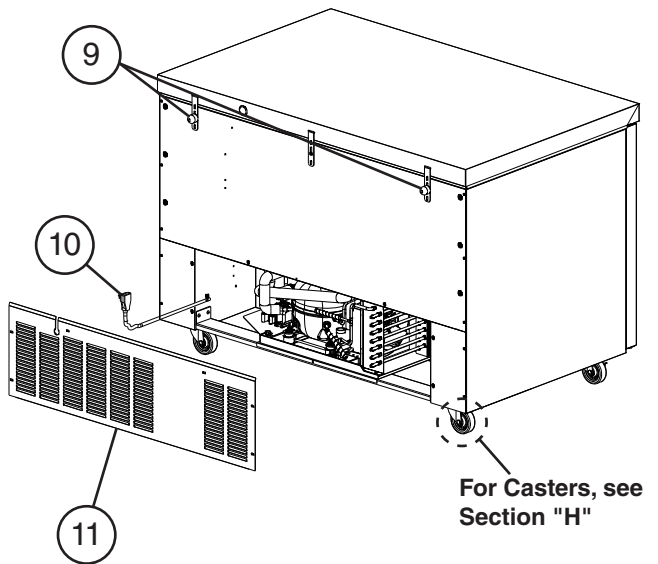
## UR48B, WR48B, SR48B, UF48B, and WF48B Undercounter, Worktop, and Prep Table

L-5, M-5

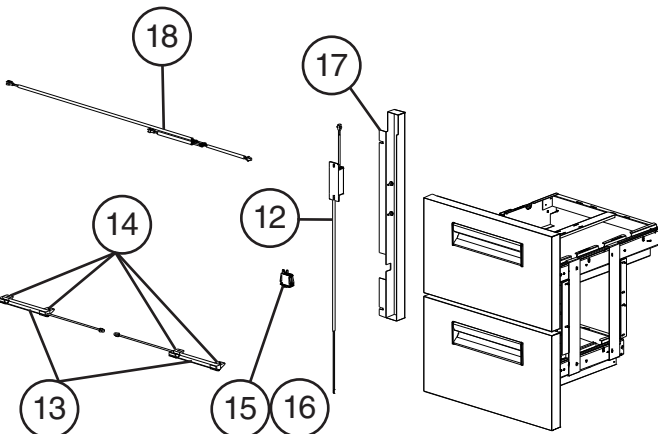
### Undercounter, Worktop, Prep Table Common Parts



For Door, See Sections "C, D, E, or F"



For Casters, see Section "H"

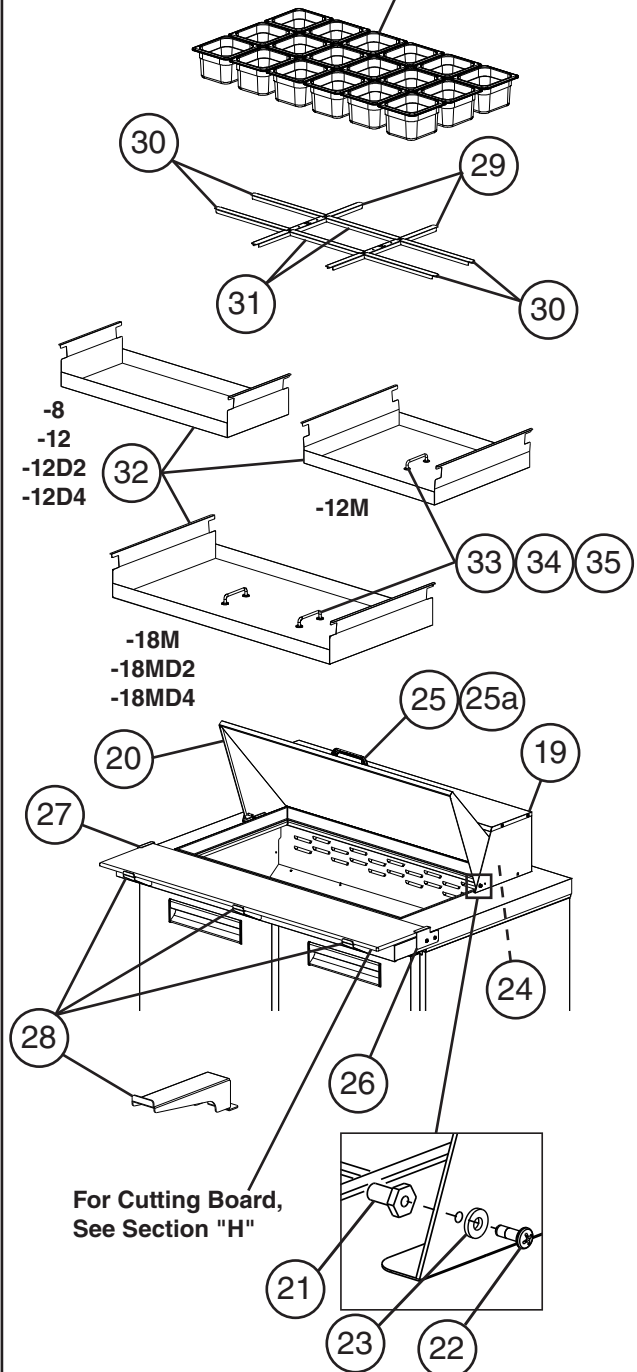


LED Light Assembly:  
Glass Door Models

For Drawers and Mullion,  
See Section "G"

### Prep Table Specific Parts

For Pans, see Section "H"



For Cutting Board,  
See Section "H"

Model Shown: SR48B-18M

Title: A. Main Assembly Models: UR48B, WR48B, SR48B, UF48B, and WF48B Undercounter, Worktop, and Prep Table											
Index No.	Description	Material or Model Number	Part Number	Required Number							
				L-5							
Common Parts											
1	Control Module	UC/WT Refrigerator	4A6907G01	1							
		UC/WT Freezers	4A6907G03	1							
		Prep Tables	4A6907G02	1							
2	Dial Knob		4A7052-01	1							
3	Control Module Bracket		3B0732-01	1							
4	Cabinet Thermometer		461083-02	1							
5	Center Rear Pilaster	UC/WT/ Prep Tables Except -D(x) Models	4A5417-01	2							
6	Front and Side Pilaster	Door/Door	4A5419-01	6							
		Door/Drawer		4							
7	Shelf	Door/Door	3A2830-08	2							
		Door/Drawer		1							
8	Shelf Clip	Door/Door	4A5418-01	8							
		Door/Drawer		4							
9	Bumpers		3A6696-01	2							
10	Wire Harness (includes power cord)		4A6865-01	1							
11	Rear Panel		1A6169-01	1							
12	LED Driver	UR48B-GLP01	1A5501-01	1							
13	LED Lamp		3A9348-01	2							
14	LED Clip		4A5906-01	4							
15	LED Switch		4A6067-01	1							
16	LED Switch Gasket		4A6075-01	1							
17	Channel		4A6064-01	1							
18	LED Wire Harness		4A6080-01	1							
Prep Table Specific Parts											
19	Rail Hood	-8	3A9404A01	1							
		-12, -12D2, -12D4	3A9394A01	1							
		-12M	3A9403A01	1							
		-18M, -18MD2, -18MD4	3A9395A01	1							
20	Rail Cover Assembly (includes items 21 through 25a)	-8	3A9405A01	1							
		-12, -12D2, -12D4	3A9398A01	1							
		-12M	3A9402A01	1							
		-18M, -18MD2, -18MD4	3A9399A01	1							
21	Pivot Pin		4A6161-01	2							
22	Pivot Bolt		4A6160-01	2							
23	Flat Washer		7W22I0832	2							
24	Tree Clip		4A0579-01	2							
25	Handle		1A3416-01	1							
25a	Pan Head Screw		7C1211412	2							

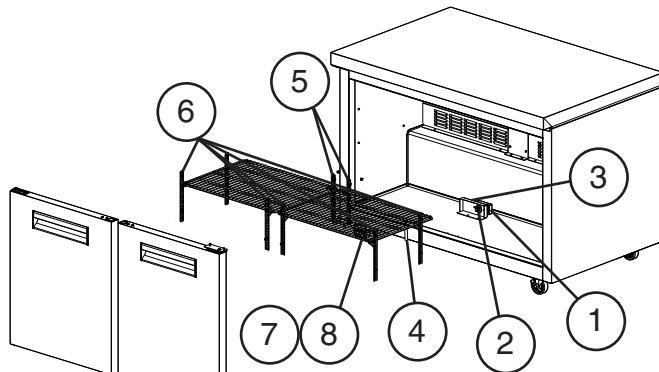
Title: A. Main Assembly Models: UR48B, WR48B, SR48B, UF48B, and WF48B Undercounter, Worktop, and Prep Table												
Index No.	Description	Material or Model Number	Part Number	Required Number								
				L-5	M-5							
26	Right Cutting Board Bracket		3A8971-02	1								
27	Left Cutting Board Bracket		3A8971-01	1								
28	Center Cutting Board Bracket	-8, -12, -12D2, -12D4	4A5905-01	2								
		-12M, -18M, -18MD2, -18MD4	4A6794-01	3								
29	Rail Divider A (front-to-back)	-8 (HS-5188)	3A8904-01	1								
		-12, -12D2, -12D4 (HS-5188)		2								
		-12M (HS-5184)	3A8855-01	1								
		-18M, -18MD2, -18MD4 (HS-5184)		2								
30	Rail Divider B (side-to-side)	-8 (HS-5189)	3B0027-01	1								
		-12, -12D2, -12D4 (HS-5189)		2								
		-12M (HS-5185)	3B0027-03	4								
	(outer side-to-side) -18M -18MD2, -18MD4 (HS-5185)	4										
31	Rail Divider C (center side-to-side)	-12	3B0028-01	1								
		-18M, -18MD2, -18MD4 (HS-5186)	3B0028-03	2								
32	Catch Tray	-8	1A6260-01	1								
		-12, -12D2, -12D4	1A4221-03	1								
	(includes items 33 through 35)	-12M	2A9781A02	1								
		-18M, -18MD2, -18MD4	2A8667A01	1								
33	Handle	12M	4A4518-01	1								
		-18M, -18MD2, -18MD4		2								
34	Pan Head Screw	-12M	7C12I0838	2								
		-18M, -18MD2, -18MD4		4								
35	Flat Washer	-12M, -12MD2	7W22-0500	2								
		-18M, -18MD2, -18MD4	7W22-0400	4								

# A. Main Assembly

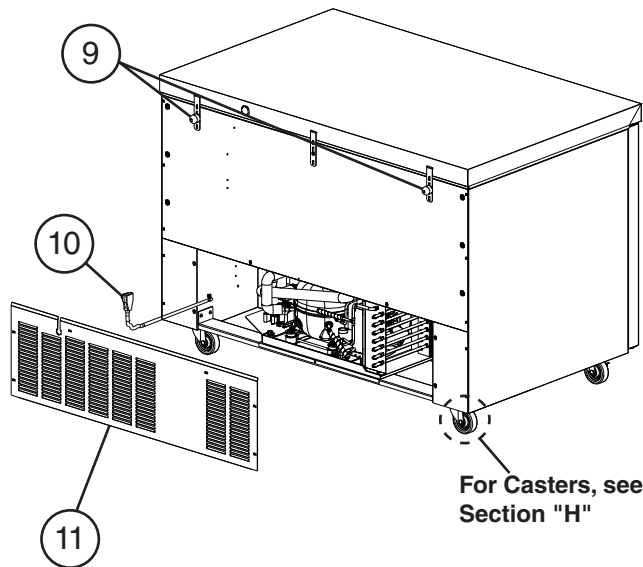
## UR60B, WR60B, SR60B, UF60B, and WF60B Undercounter, Worktop, and Prep Table

L-5, M-5

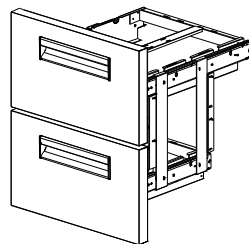
### Undercounter, Worktop, Prep Table Common Parts



For Door, See Sections "C, D, E, or F"



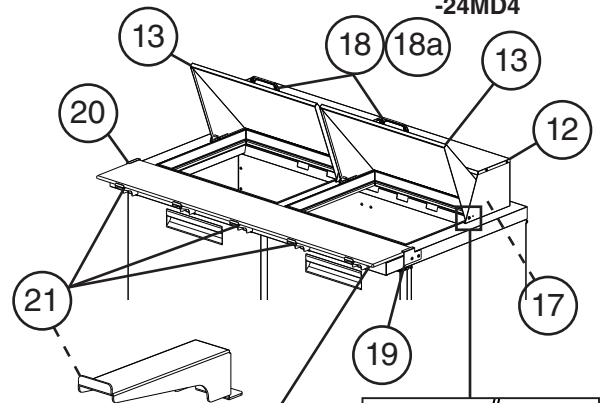
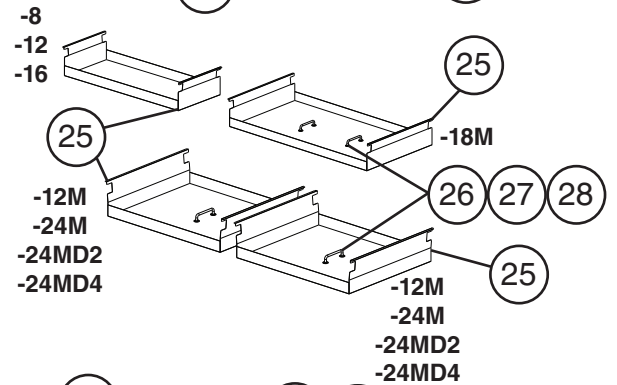
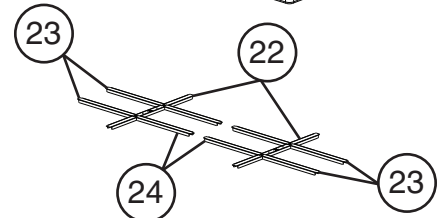
For Casters, see Section "H"



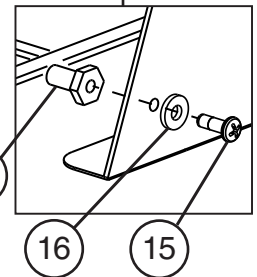
For Drawers and Mullion,  
See Section "G"

### Prep Table Specific Parts

For Pans, see Section "H"



For Cutting Board,  
See Section "H"



Model Shown: SR60B-24M

**Title: A. Main Assembly Models: UR60B, WR60B, SR60B, UF60B, and WF60B Undercounter, Worktop, and Prep Table**

Index No.	Description	Material or Model Number	Part Number	Required Number																	
				L-5																	
<b>Common Parts</b>																					
1	Control Module	<b>UC/WT Refrigerator</b>	4A6907G01	1																	
		<b>UC/WT Freezers</b>	4A6907G03	1																	
		<b>Prep Tables</b>	4A6907G02	1																	
2	Dial Knob		4A7052-01	1																	
3	Control Module Bracket		3B0732-01	1																	
4	Cabinet Thermometer		461083-02	1																	
5	Center Rear Pilaster	<b>UC/WT/Prep Tables Except -D(x) Models</b>	4A5417-01	2																	
6	Front and Side Pilaster	<b>Door/Door</b>	4A5719-01	6																	
		<b>Door/Drawer</b>		4																	
7	Shelf	<b>Door/Door</b>	3A2830-09	2																	
		<b>Door/Drawer</b>		1																	
8	Shelf Clip	<b>Door/Door</b>	4A5418-01	8																	
		<b>Door/Drawer</b>		4																	
9	Bumpers		3A6696-01	2																	
10	Wire Harness (includes power cord)		4A6865-01	1																	
11	Rear Panel		1A6155-01	1																	

Title: A. Main Assembly Models: UR60B, WR60B, SR60B, UF60B, and WF60B Undercounter, Worktop, and Prep Table												
Index No.	Description	Material or Model Number	Part Number	Required Number								
				L-5								
<b>Prep Table Specific Parts</b>												
12	Rail Hood	-8	3A9404A01	1								
		-12	3A9394A01	1								
		-16	3A9396A01	1								
		-12M	3A9403A01	1								
		-18M	3A9395A01	1								
		-24M(D2)(D4)	3A9403A01	2								
13	Rail Cover Assembly (includes items 14 through 18a)	-8	3A9405A01	1								
		-12	3A9398A01	1								
		-16	3A9400A01	1								
		-12M	3A9402A01	1								
		-18M	3A9399A01	1								
		-24M(D2)(D4)	3A9402A01	2								
14	Pivot Pin	-8, -12, -16, 18M	4A6161-01	2								
		-24M(D2)(D4)		4								
15	Pivot Bolt	-8, -12, -16, 18M	4A6160-01	2								
		-24M(D2)(D4)		4								
16	Flat Washer	-8, -12, -16, 18M	7W22I0832	2								
		-24M(D2)(D4)		4								
17	Tree Clip	-8, -12, -16, 18M	4A0579-01	2								
		-24M(D2)(D4)		4								
18	Handle	-8, -12, -16, 18M	1A3416-01	1								
		-24M(D2)(D4)		2								
18a	Pan Head Screw	-8, -12, -16, 18M	7C12I1412	2								
		-24M(D2)(D4)		4								
19	Right Cutting Board Bracket		3A8971-02	1								
20	Left Cutting Board Bracket		3A8971-01	1								
21	Center Cutting Board Bracket	-8, -12, -16	4A5905-01	3								
		-12M, -18M, -24M(D2)(D4)	4A6794-01	3								

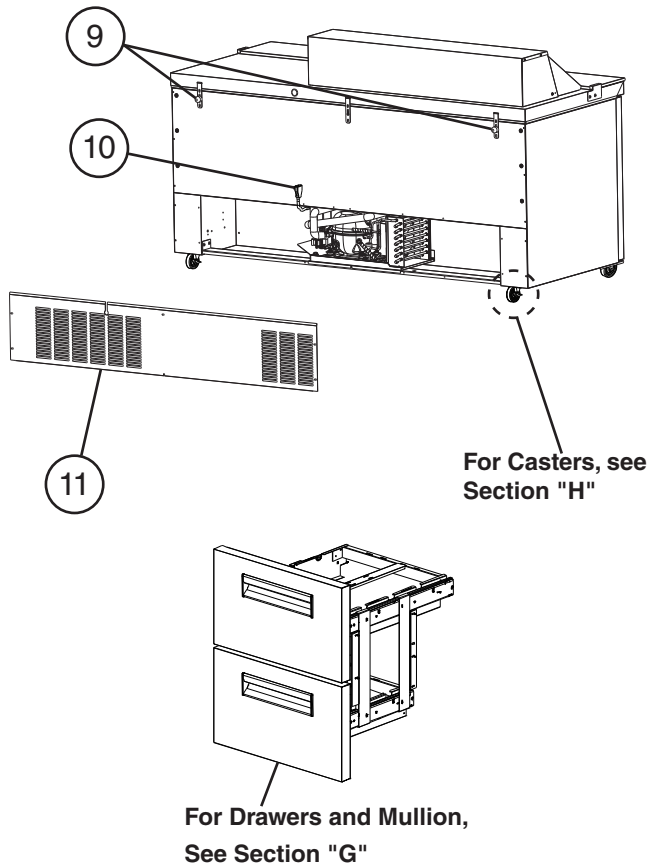
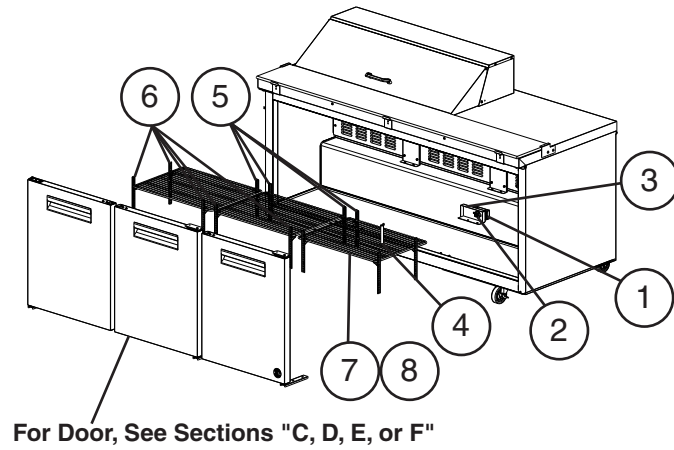
Title: A. Main Assembly Models: UR60B, WR60B, SR60B, UF60B, and WF60B Undercounter, Worktop, and Prep Table											
Index No.	Description	Material or Model Number	Part Number	Required Number							
				L-5	M-5						
22	Rail Divider A (front-to-back)	-8 <b>(HS-5188)</b>	3A8904-01	1							
		-12, <b>(HS-5188)</b>		2							
		-16 <b>(HS-5188)</b>		3							
		-12M <b>(HS-5184)</b>	3A8855-01	1							
		-18M, -24M(D2)(D4) <b>(HS-5184)</b>		2							
23	Rail Divider B (side-to-side)	-8 <b>(HS-5189)</b>	3B0027-01	2							
	(outer side to side)	-12 <b>(HS-5189)</b>		2							
		-16 <b>(HS-5189)</b>		2							
	(side to side)	-12M <b>(HS-5185)</b>	3B0027-03	4							
	(outer side-to-side)	-18M <b>(HS-5185)</b>		4							
	(side to side)	-24M(D2)(D4) <b>(HS-5185)</b>		8							
24	Rail Divider C (center side-to-side)	-12 <b>(HS-5190)</b>	3B0028-01	1							
		-16 <b>(HS-5190)</b>		2							
		-18M <b>(HS-5186)</b>	3B0028-03	2							
25	Catch Tray	-8	1A6260-01	1							
		-12	1A4221-03	1							
		-16	1A4221-01	2							
	(includes items 26 through 28)	-18M	2A8667A01	1							
		-12M	2A9781A02	1							
	-24M(D2)(D4)		2								
26	Handle	-12M	4A4518-01	1							
		-18M, -24M(D2)(D4)		2							
27	Pan Head Screw	-12M	7C1210838	2							
		-18M, -24M(D2)(D4)		4							
28	Flat Washer	-12M	7W22-0500	2							
		-24M(D2)(D4)		4							
		-18M	7W22-0400	4							

# A. Main Assembly

## UR72B, WR72B, SR72B Undercounter, Worktop, and Prep Table

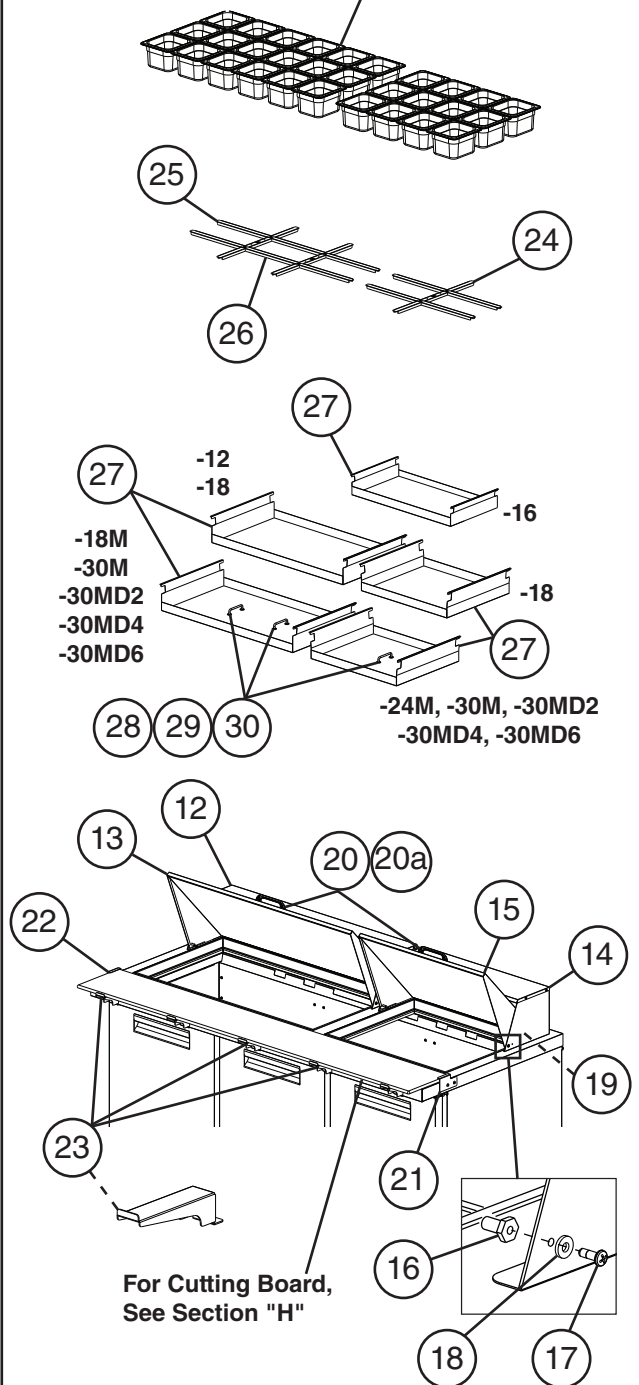
L-5, M-5

### Undercounter, Worktop, Prep Table Common Parts



### Prep Table Specific Parts

For Pans, see Section "H"

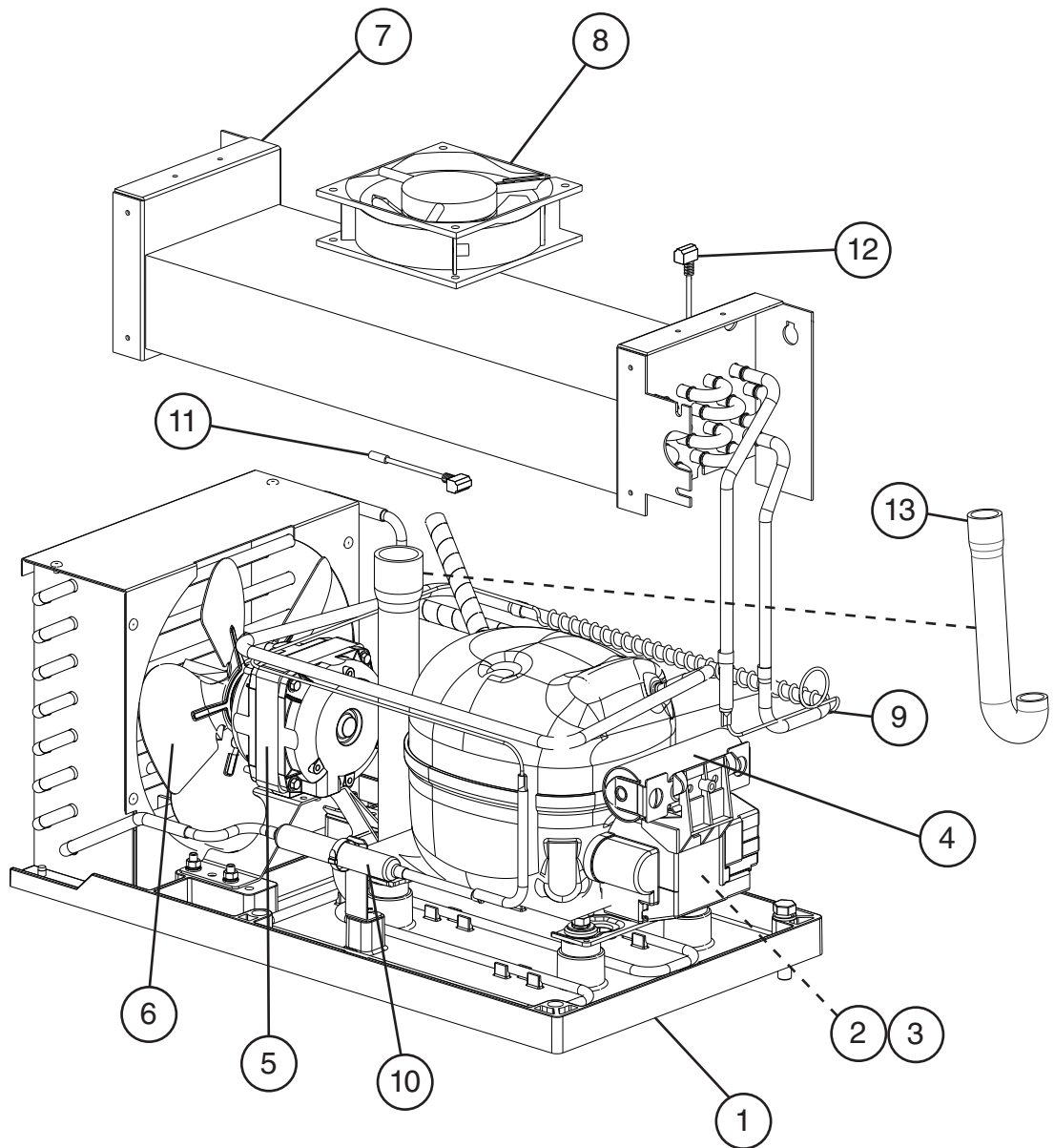


Title: A. Main Assembly Models: UR72B, WR72B, SR72B Undercounter, Worktop, and Prep Table												
Index No.	Description	Material or Model Number	Part Number	Required Number								
				L-5								
<b>Common Parts</b>												
1	Control Module	UC/WT Refrigerator	4A6907G01	1								
		Prep Tables	4A6907G02	1								
2	Dial Knob		4A7052-01	1								
3	Control Module Bracket		3B0732-01	1								
4	Cabinet Thermometer		461083-02	1								
5	Center Rear Pilaster	SR72B-30MD2	4A5417-01	2								
		UR72B(-01), WR72B(-01) SR72B-12, -16, -18(M) SR72B-24M, -30M		4								
6	Front and Side Pilaster	SR72B-30MD4	4A5719-01	4								
		SR72B-30MD2		6								
		UR72B(-01), WR72B(-01) SR72B-12, -16, -18(M) SR72B-24M, -30M		8								
7	Shelf	SR72B-30MD2	3A2830-07	2								
		UR72B(-01), WR72B(-01) SR72B-12, -16, -18(M) SR72B-24M, -30M		3								
		SR72B-30MD4	3A2830-08	1								
8	Shelf Clip	SR72B-30MD4	4A5418-01	4								
		SR72B-30MD2		8								
		UR72B(-01), WR72B(-01) SR72B-12, -16, -18(M) SR72B-24M, -30M		12								
9	Bumpers		3A6696-01	2								
10	Wire Harness (includes power cord)		4A6865-01	1								
11	Rear Panel		1A6182-01	1								
<b>Prep Table Specific Parts</b>												
12	Rail Hood	-12	3A9394A01	1								
		-16	3A9396A01	1								
		-18	3A9397A01	1								
		-18M	3A9395A01	1								
	Left Rail Hood	-24M	3A9403A01	1								
		-30M(D2)(D4)(D6)	3A9395A01	1								
13	Rail Cover Assembly (includes items 16 through 20a)	-12	3A9398A01	1								
		-16	3A9400A01	1								
		-18	3A9401A01	1								
		-18M	3A9399A01	1								
	Left Rail Cover (includes items 16 through 20a)	-24M	3A9402A01	1								
		-30M(D2)(D4)(D6)	3A9399A01	1								
14	Right Rail Hood	-24M	3A9403A01	1								
		-30M(D2)(D4)(D6)		1								
15	Right Rail Cover Assembly (includes items 16 through 20a)	-24M	3A9402A01	1								
		-30M(D2)(D4)(D6)		1								

Title: A. Main Assembly Models: UR72B, WR72B, SR72B Undercounter, Worktop, and Prep Table										
Index No.	Description	Material or Model Number	Part Number	Required Number						
				L-5	M-5					
16	Pivot Pin	-12, -16, -18, -18M	4A6161-01	2						
		-24M, -30M(D2)(D4)(D6)		4						
17	Pivot Bolt	-12, -16, -18, -18M	4A6160-01	2						
		-24M, -30M(D2)(D4)(D6)		4						
18	Flat Washer	-12, -16, -18, -18M	7W2210832	2						
		-24M, -30M(D2)(D4)(D6)		4						
19	Tree Clip	-12, -16, -18, -18M	4A0579-01	2						
		-24M, -30M(D2)(D4)(D6)		4						
20	Handle	-12, -16, -18, -18M	1A3416-01	1						
		-24M, -30M(D2)(D4)(D6)		2						
20a	Pan Head Screw	-12, -16, -18, -18M	7C1211412	2						
		-24M, -30M(D2)(D4)(D6)		4						
21	Right Cutting Board Bracket		3A8971-02	1						
22	Left Cutting Board Bracket		3A8971-01	1						
23	Center Cutting Board Bracket	-12, -16, -18	4A5905-01	3						
		-18M, -24M, -30M(D2)(D4)(D6)	4A6794-01	4						
24	Rail Divider A (front-to-back)	-12, -18 (HS-5188)	3A8904-01	2						
		-16 (HS-5188)		3						
		-18M, -24M (HS-5184)	3A8855-01	2						
		-30M(D2)(D4)(D6) (HS-5184)		3						
25	Rail Divider B (side-to-side)	-12 (HS-5189)	3B0027-01	2						
	(outer side to side)	-16 (HS-5189)		2						
		-18 (HS-5185)	3B0027-02	2						
	(outer side to side)	-18M (HS-5185)	3B0027-03	4						
	(side to side)	-24M (HS-5185)		8						
(outer side-to-side)	-30M(D2)(D4)(D6) (HS-5185)	8								
26	Rail Divider C (center side-to-side)	-12 (HS-5190)	3B0028-01	1						
		-16 (HS-5190)		2						
		-18 (HS-5186)	3B0028-02	1						
		-18M, -30M(D2)(D4)(D6) (HS-5186)	3B0028-03	2						

Title: A. Main Assembly    Models: UR72B, WR72B, SR72B Undercounter, Worktop, and Prep Table												
Index No.	Description	Material or Model Number	Part Number	Required Number								
				L-5	M-5							
27	Catch Tray	-12	1A4221-03	1								
		-16	1A4221-01	2								
		-18	1A6260-02	1								
			1A6260-03	1								
		-18M	2A8667A01	1								
		-24M	2A9781A02	2								
		-30M(D2)(D4)(D6)		1								
2A8667A01	1											
28	Handle	-18M, -24M	4A4518-01	2								
		-30M(D2)(D4)(D6)		3								
29	Pan Head Screw	-18M, -24M	7C12I0838	4								
		-30M(D2)(D4)(D6)		6								
30	Flat Washer	-18M	7W22-0400	4								
		-30M(D2)(D4)(D6)		4								
		-24M	7W22-0500	4								
		-30M(D2)(D4)(D6)		2								

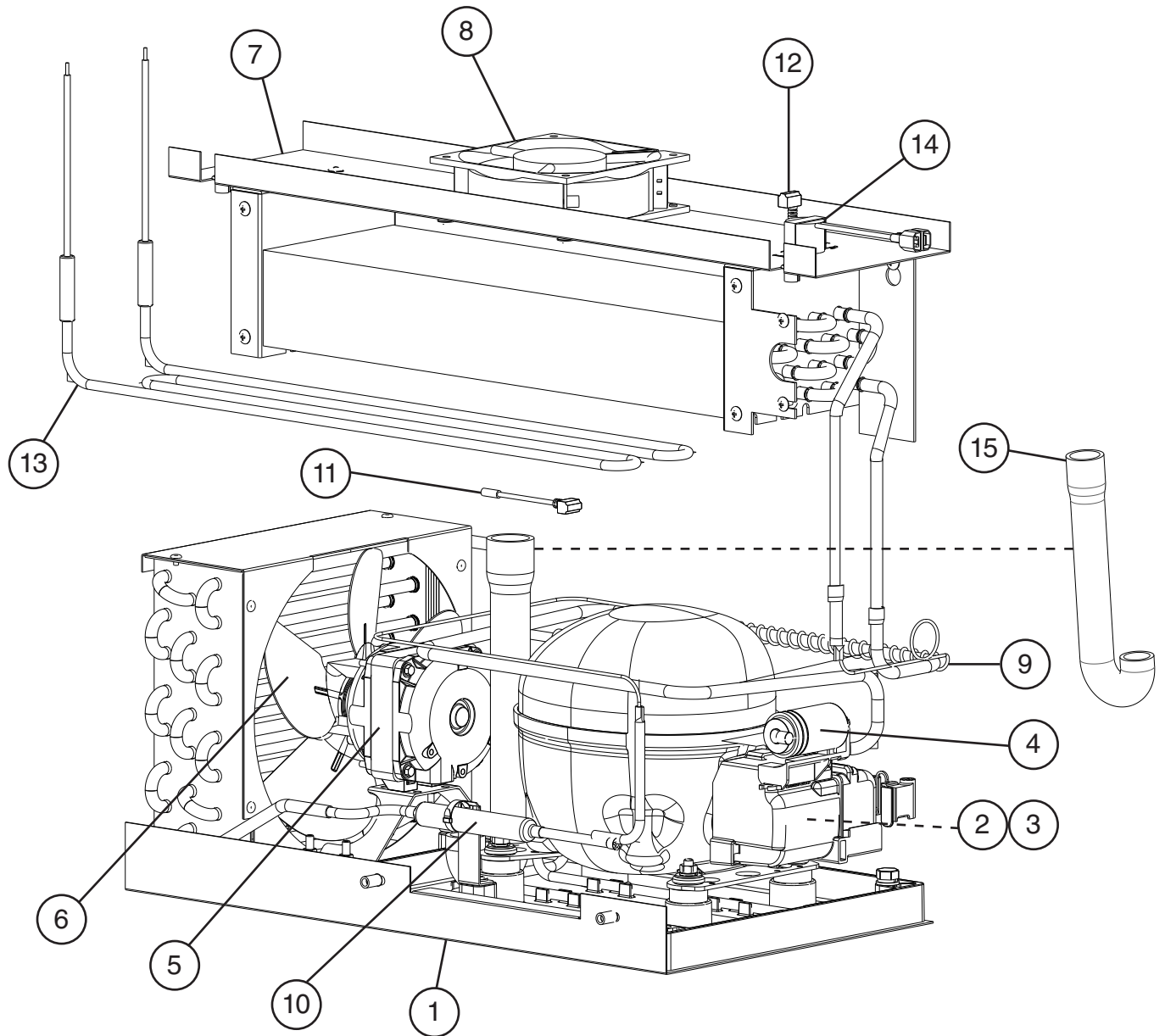
**B. Refrigeration Circuit**  
**UR27B and WR27B Undercounter and Worktop**  
K-5 to M-5



For compressor or condenser replacement, order item 1.

Title: B. Refrigeration Circuit Models: UR27B and WR27B Undercounter, Worktop												
Index No.	Description	Material or Model Number	Part Number	Required Number								
				K-5 to M-5								
1	Condensing Unit (includes compressor, condenser, and items 2 through 6; compressor and condenser are not sold individually)		3B0589-01	1								
2	External Protector		3A9522-01	1								
3	Start Relay		3A9523-01	1								
4	Start Capacitor	145-175MFD, 250VAC	3A9524-01	1								
5	Condenser Fan Motor		3A6798-01	1								
6	Condenser Fan Blade		3A6799-01	1								
7	Evaporator		2A9386-01	1								
8	Evaporator Fan Motor		4A6192-01	1								
9	Heat Exchanger (includes capillary tube)		3B0763G01	1								
10	Drier		4A5576-01	1								
11	Cabinet Thermistor		4A6878-02	1								
12	Defrost Thermistor		4A6878-01	1								
13	Drain Hose		3B0477-01	1								

**B. Refrigeration Circuit**  
**SR27B, UF27B, WF27B, UR36B, WR36B, and SR36B Undercounter, Worktop, and Prep Table**  
 K-5 to M-5



For compressor or condenser replacement, order item 1.

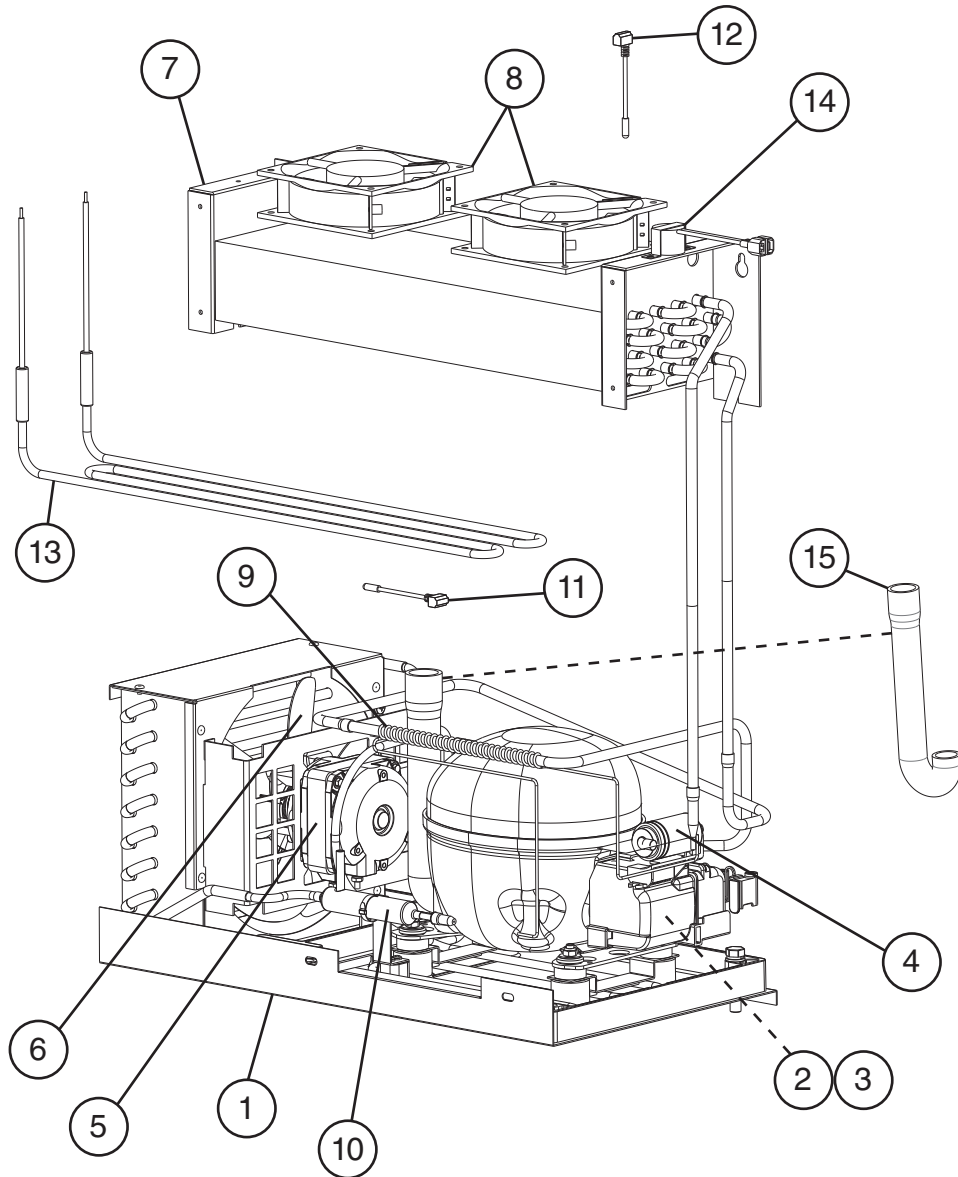
**Title: B. Refrigeration Circuit    Models: UF27B, WF27B, SR27B, UR36B, WR36B, and SR36B Undercounter, Worktop, and Prep Table**

Index No.	Description	Material or Model Number	Part Number	Required Number									
				K-5 to M-5									
1	Condensing Unit (includes compressor, condenser, and items 2 through 6; compressor and condenser are not sold individually)		<a href="#">3B0453-01</a>	1									
2	External Protector		<a href="#">3A9475-01</a>	1									
3	PTC Start Relay		<a href="#">3A9476-01</a>	1									
4	Run Capacitor	12MFD, 250VAC	<a href="#">3A9477-01</a>	1									
5	Condenser Fan Motor		<a href="#">3A6798-01</a>	1									
6	Condenser Fan Blade		<a href="#">3A6799-01</a>	1									
7	Evaporator		2A9386-01	1									
8	Evaporator Fan Motor		<a href="#">4A6192-01</a>	1									
9	Heat Exchanger (includes capillary tube)	<b>UF27B and WF27B</b>	3B0764G01	1									
		<b>SR27B, UR36B, WR36B, and SR36B</b>	3B0790G01	1									
10	Drier		<a href="#">4A5576-01</a>	1									
11	Cabinet Thermistor		<a href="#">4A6878-02</a>	1									
12	Defrost Thermistor		<a href="#">4A6878-01</a>	1									
13	Defrost Heater	<b>SR27B, UF27B, WF27B, and SR36B</b>	<a href="#">3B0457-01</a>	1									
14	Defrost Safety Thermostat	<b>SR27B, UF27B, WF27B, and SR36B</b>	<a href="#">4A6194-01</a>	1									
15	Drain Hose		<a href="#">3B0477-01</a>	1									

## B. Refrigeration Circuit

### UR48B, WR48B, UF48B, WF48B, and SR48B Undercounter, Worktop, and Prep Table

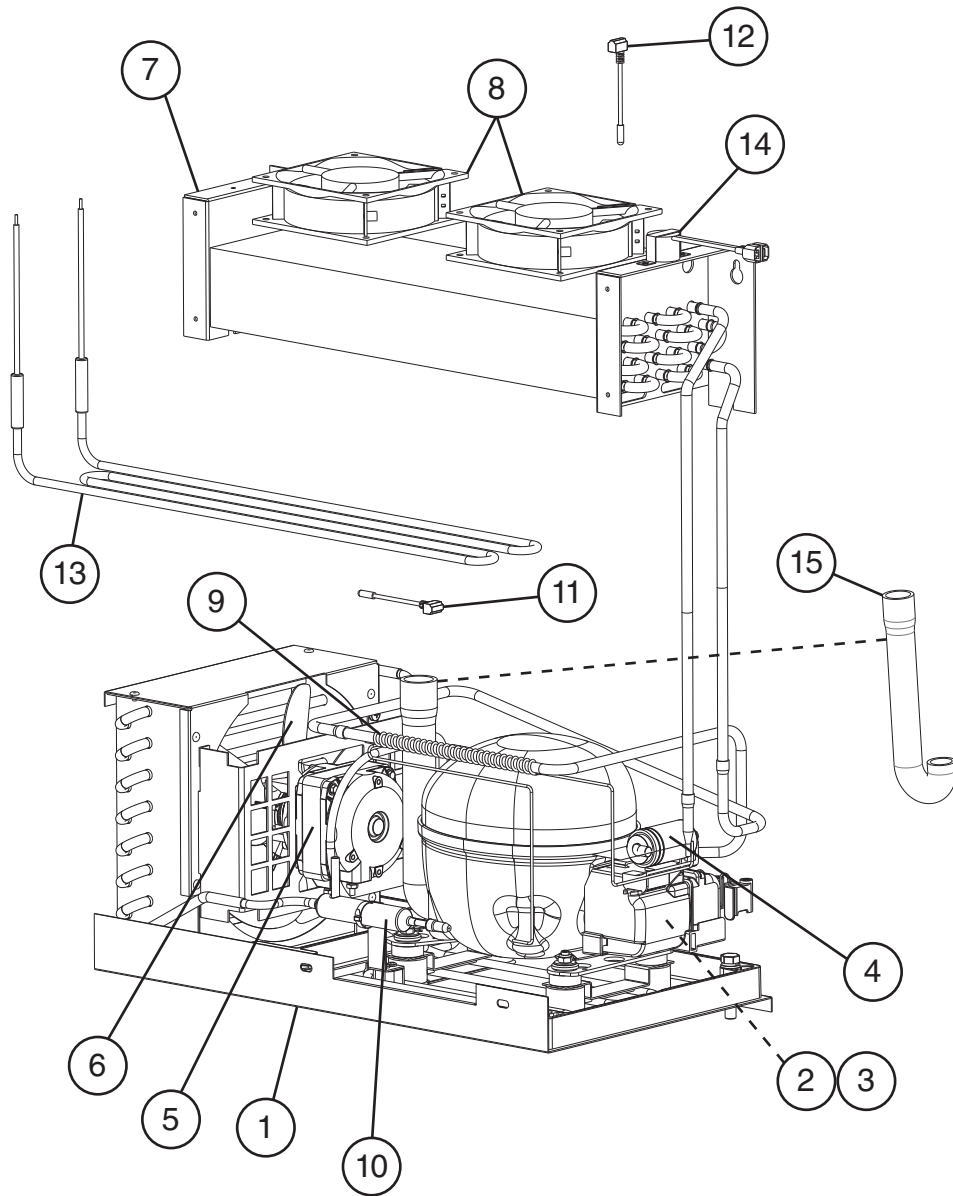
L-5, M-5



For compressor or condenser replacement, order item 1.

Title: B. Refrigeration Circuit    Models: UR48B, WR48B, UF48B, WF48B, and SR48B Undercounter, Worktop, and Prep Table												
Index No.	Description	Material or Model Number	Part Number	Required Number								
				L-5	M-5							
1	Condensing Unit (includes compressor, condenser, and items 2 through 6; compressor and condenser are not sold individually)	<b>UC/WT Refrigerator</b>	<a href="#">3B0453-01</a>	1								
		<b>Prep Table</b>										
		<b>UC/WT Freezer</b>	<a href="#">3B0964-01</a>	1								
2	External Protector	<b>UC/WT Refrigerator</b>	<a href="#">3A9475-01</a>	1								
		<b>Prep Table</b>										
		<b>UC/WT Freezer</b>	<a href="#">3B0897-01</a>	1								
3	PTC Start Relay	<b>All</b>	<a href="#">3A9476-01</a>	1								
4	Run Capacitor	<b>UC/WT Refrigerator</b>	<a href="#">3A9477-01</a>	1								
		<b>Prep Table</b>										
		<b>Freezer</b>	<a href="#">3B0898-01</a>	1								
5	Condenser Fan Motor		<a href="#">3A6798-01</a>	1								
6	Condenser Fan Blade		<a href="#">3A6799-01</a>	1								
7	Evaporator		<a href="#">2A9386-01</a>	1								
8	Evaporator Fan Motor		<a href="#">4A6192-01</a>	2								
9	Heat Exchanger (includes capillary tube)	<b>UC/WT Refrigerator</b>	<a href="#">3B0790G01</a>	1								
		<b>Prep Table</b>	<a href="#">3B0805G01</a>	1								
		<b>UC/WT Freezer</b>	<a href="#">3B0820G01</a>	1								
10	Drier		<a href="#">4A5576-01</a>	1								
11	Cabinet Thermistor		<a href="#">4A6878-02</a>	1								
12	Defrost Thermistor		<a href="#">4A6878-01</a>	1								
13	Defrost Heater	<b>Prep Table and Freezer</b>	<a href="#">3B0457-01</a>	1								
14	Defrost Safety Thermostat	<b>Prep Table and Freezer</b>	<a href="#">4A6194-01</a>	1								
15	Drain Hose		<a href="#">3B0477-01</a>	1								

**B. Refrigeration Circuit**  
**UR60B, WR60B, UF60B, WF60B, and SR60B Undercounter, Worktop,**  
**and Prep Table**  
L-5, M-5



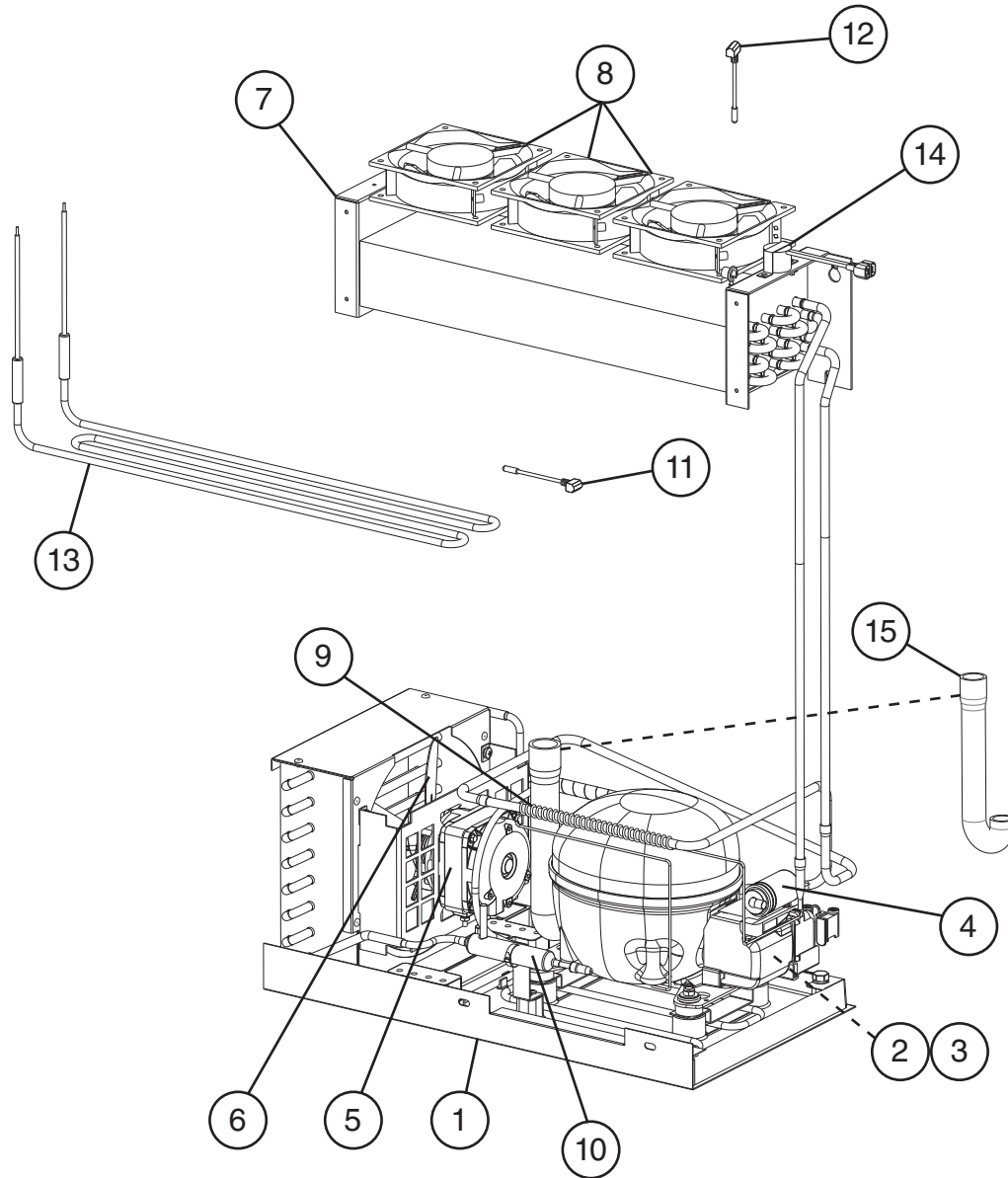
For compressor or condenser replacement, order item 1.

Title: B. Refrigeration Circuit    Models: UR60B, WR60B, UF60B, WF60B, and SR60B Undercounter, Worktop, and Prep Table												
Index No.	Description	Material or Model Number	Part Number	Required Number								
				L-5 M-5								
1	Condensing Unit (includes compressor, condenser, and items 2 through 6; compressor and condenser are not sold individually)	<b>UC/WT Refrigerator</b>	3B0453-01	1								
		<b>Prep Table/ UC/WT Freezer</b>	3B0964-01	1								
2	External Protector	<b>UC/WT Refrigerator Prep Table</b>	3A9475-01	1								
		<b>UC/WT Freezer</b>	3B0897-01	1								
3	PTC Start Relay		3A9476-01	1								
4	Run Capacitor	<b>UC/WT Refrigerator</b> 12MFD, 250VAC	3A9477-01	1								
		<b>Prep Table/ UC/WT Freezer</b> 20MFD, 250VAC	3B0898-01	1								
5	Condenser Fan Motor		3A6798-01	1								
6	Condenser Fan Blade		3A6799-01	1								
7	Evaporator		2A9386-01	1								
8	Evaporator Fan Motor		4A6192-01	2								
9	Heat Exchanger (includes capillary tube)	<b>UC/WT Refrigerator</b>	3B0790G01	1								
		<b>Prep Table</b>	3B0805G01	1								
		<b>UC/WT Freezer</b>	3B0820G01	1								
10	Drier		4A5576-01	1								
11	Cabinet Thermistor		4A6878-02	1								
12	Defrost Thermistor		4A6878-01	1								
13	Defrost Heater	<b>Prep Table and Freezer</b>	3B0457-01	1								
14	Defrost Safety Thermostat	<b>Prep Table and Freezer</b>	4A6194-01	1								
15	Drain Hose		3B0477-01	1								

## B. Refrigeration Circuit

### UR72B, WR72B, and SR72B Undercounter, Worktop, and Prep Table

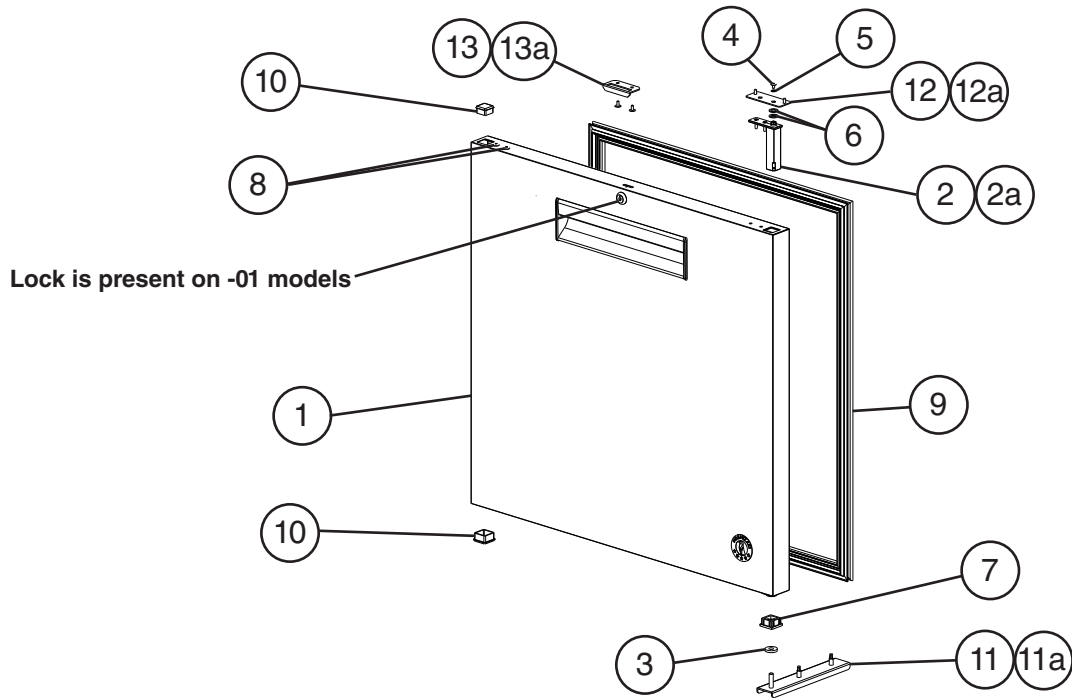
L-5, M-5



For compressor or condenser replacement, order item 1.

Title: B. Refrigeration Circuit Models: UR72B, WR72B, and SR72B Undercounter, Worktop, and Prep Table												
Index No.	Description	Material or Model Number	Part Number	Required Number								
				L-5	M-5							
1	Condensing Unit (includes compressor, condenser, and items 2 through 6; compressor and condenser are not sold individually)	UC/WT	3B0453-01	1								
		Prep Table	3B0964-01	1								
2	External Protector	UC/WT	3A9475-01	1								
		Prep Table	3B0897-01	1								
3	PTC Start Relay		3A9476-01	1								
4	Run Capacitor	UC/WT 12MFD, 250VAC	3A9477-01	1								
		Prep Table 20MFD, 250VAC	3B0898-01	1								
5	Condenser Fan Motor		3A6798-01	1								
6	Condenser Fan Blade		3A6799-01	1								
7	Evaporator		2A9386-01	1								
8	Evaporator Fan Motor		4A6192-01	3								
9	Heat Exchanger (includes capillary tube)	UC/WT	3B0790G01	1								
		Prep Table	3B0805G01	1								
10	Drier		4A5576-01	1								
11	Cabinet Thermistor		4A6878-02	1								
12	Defrost Thermistor		4A6878-01	1								
13	Defrost Heater	Prep Table	3B0457-01	1								
14	Defrost Safety Thermostat	Prep Table	4A6194-01	1								
15	Drain Hose		3B0477-01	1								

### C. Door-Right Hinged Solid Undercounter, Worktop, Prep Table K-5 to M-5

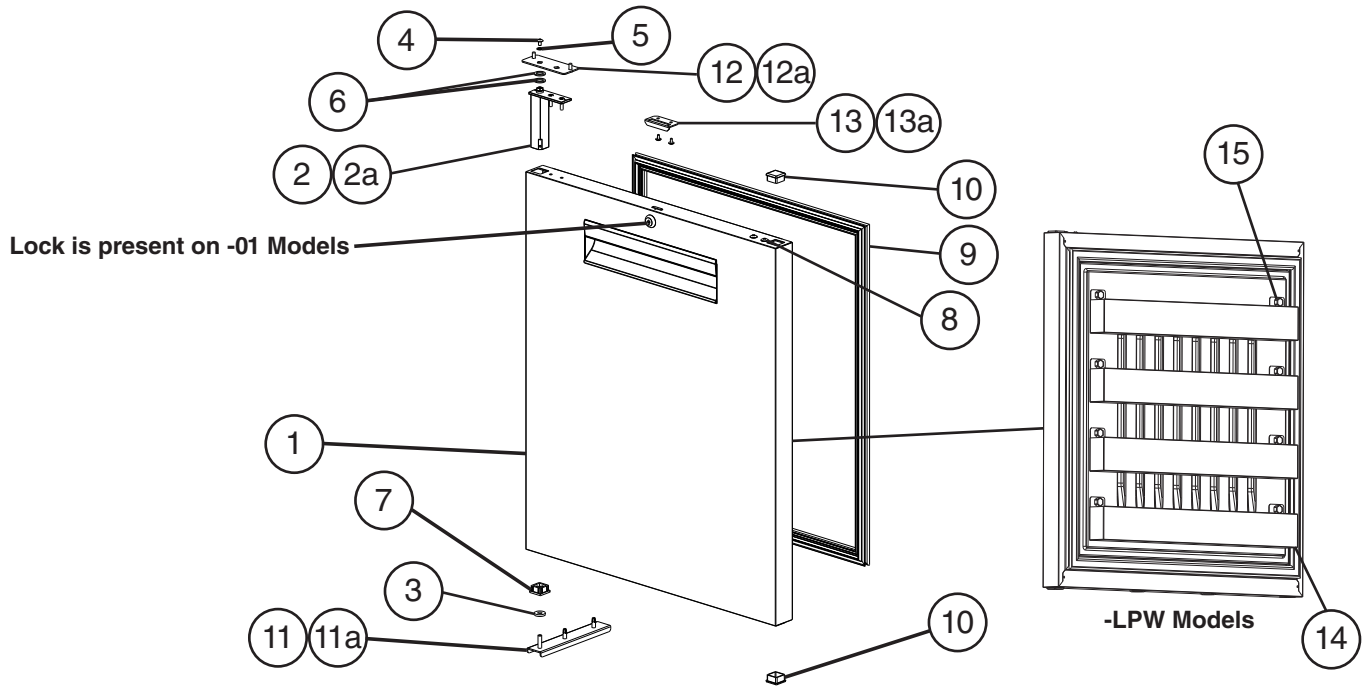


Title: C. Door-Right Hinged Solid Models: Undercounter, Worktop, Prep Table											
Index No.	Description	Material or Model Number	Part Number	Required Number Per Section							
				K-5 to M-5							
1	Door Assembly without Locks (includes items 2 through 10)	<u>R27B(-8, -12M) and _F27B UC/WT/Prep Table</u>	2A9409G01	1							
		<u>36B(-10, -15M) UC/WT/Prep Table</u>	2A9409G04	1							
		<u>R48B(-8, -12), -1xM, and _F48B UC/WT/Prep Table</u>	2A9409G06	1							
		<u>R60B(-8, -12, -16, -1xM, -24M and _F60B UC/WT/Prep Table</u>	2A9409G04	1							
		<u>R72B(-12, -16, -18), -1xM, -24M, -30M</u>	2A9409G06	1							
	Door Assembly with Locks (includes items 2 through 10)	<u>R27B-01 and _F27B-01 UC/WT</u>	2A9409G02	1							
		<u>UR36B-01 UC/WT</u>	2A9409G05	1							
		<u>R48B-01 and _F48B-01 UC/WT</u>	2A9409G07	1							
		<u>R60B-01 and _F60B-01 UC/WT</u>	2A9409G05	1							
		<u>R72B-01 UC/WT</u>	2A9409G07	1							

Title: C. Door-Right Hinged Solid Models: Undercounter, Worktop, Prep Table												
Index No.	Description	Material or Model Number	Part Number	K-5 to M-5	Required Number Per Section							
2	Hinge Spring Cartridge (includes items 2a through 7)		3A9206-01	1								
2a	Countersunk Screw	5x20, SS	7C42-0520	2								
3	Thrust Washer		4A5234-01	1								
4	Screw		4A5230-01	1								
5	Lockwasher		4A5231-01	1								
6	Thrust Washer		4A5233-01	2								
7	Bearing		4A5232-01	1								
8	Truss Head Screw (filler screws)	5x10, SS	7C32-0510	2								
9	Gasket	All _R27B and _F27B, UC/WT/Prep Table	2A6996-10	1								
		_R36B UC/WT/Prep Table	2A6996-12	1								
		All _R48B and _F48B, UC/WT/Prep Table	2A6996-11	1								
		All _R60B and _F60B, UC/WT/Prep Table	2A6996-12	1								
		All _R72B and UC/WT/Prep Table	2A6996-11	1								
10	End Cap		4A5432-01	2								
11	Lower Hinge Bracket		3A6681G01	1								
11a	Hex Head Tapping Bolt	1/4-20x3/4	4A5213-01	2								
12	Upper Hinge Bracket		3A6810-01	1								
12a	Truss Head Screw	5x12, SS	7C32-0512	2								
13	Strike Plate	-01 UC/WT	4A5493-01	1								
13a	T2 Screw	-01 UC/WT 4x8, SS	7P32-0408	2								

## D. Door-Left Hinged Solid Undercounter, Worktop, Prep Table

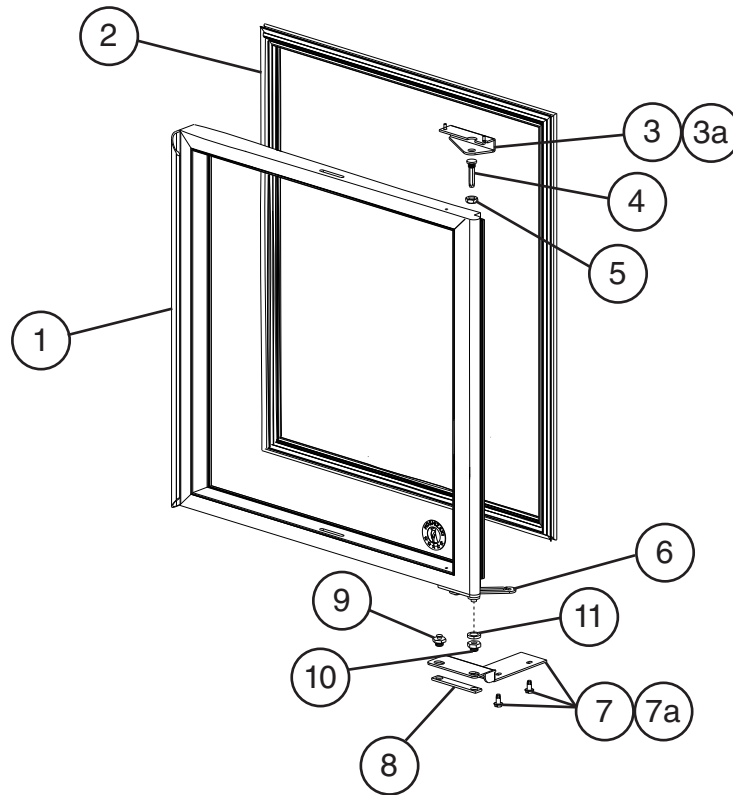
K-5 to M-5



Title: D. Door-Left Hinged Solid Models: Undercounter, Worktop, Prep Table															
Index No.	Description	Material or Model Number	Part Number	Required Number Per Section											
				K-5 to M-5											
1	Door Assembly without Locks (includes items 2 through 10)	<b>UR27B-LPW</b>	2B0054G01	1											
		<b>_R27B(-8, -12M) and _F27B UC/WT/Prep Table</b>	2A9411G05	1											
		<b>_36B(-10, -15M) UC/WT/Prep Table</b>	2A9411G03	1											
		<b>_R48B(-8, -12, -1xM, and _F48B UC/WT/Prep Table</b>	2A9411G01	1											
		<b>_R60B(-8, -12, -16, -1xM, -24M and _F60B UC/WT/Prep Table</b>	2A9411G03	1											
		<b>_R72B(-12, -16, -18), -1xM, -24M, 30M</b>	2A9411G01	1											
	Door Assembly with Locks (includes items 2 through 10)	<b>_R36B-01 UC/WT</b>	2A9411G04	1											
		<b>_R48B-01 and _F48B-01 UC/WT</b>	2A9411G02	1											
		<b>_R60B-01 and _F60B-01 UC/WT</b>	2A9411G04	1											
		<b>_R72B-01 UC/WT</b>	2A9411G02	1											

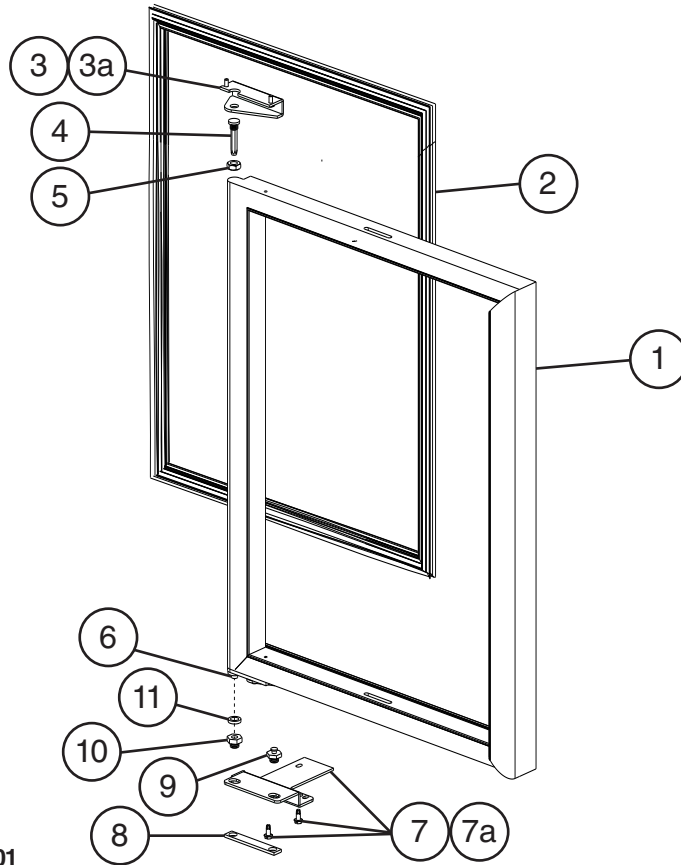
Title: D. Door-Left Hinged Solid Models: Undercounter, Worktop, Prep Table												
Index No.	Description	Material or Model Number	Part Number	Required Number Per Section								
				K-5 to M-5								
2	Hinge Spring Cartridge (includes items 2a through 7)		3A9206-01	1								
2a	Countersunk Screw	5x20, SS	7C42-0520	2								
3	Thrust Washer		4A5234-01	1								
4	Screw		4A5230-01	1								
5	Lockwasher		4A5231-01	1								
6	Thrust Washer		4A5233-01	2								
7	Bearing		4A5232-01	1								
8	Truss Head Screw (filler screws)	5x10, SS	7C32-0510	2								
9	Gasket	_R27B and _F27B UC/WT/Prep Table	2A6996-10	1								
		_R36B UC/WT/Prep Table	2A6996-12	1								
		_R48B and _F48B UC/WT/Prep Table	2A6996-11	1								
		All _R60B and _F60B, UC/WT/Prep Table	2A6996-12	1								
		All _R72B and UC/WT/Prep Table	2A6996-11	1								
10	End Cap		4A5432-01	2								
11	Lower Hinge Bracket		3A6681G01	1								
11a	Hex Head Tapping Bolt	1/4-20x3/4	4A5213-01	2								
12	Upper Hinge Bracket		3A6810-01	1								
12a	Truss Head Screw	5x12, SS	7C32-0512	2								
13	Strike Plate	-01 UC/WT	4A5493-01	1								
13a	T2 Screw	-01 UC/WT 4x8, SS	7P32-0408	2								
14	Holder	UR27B-LPW	3A9571-01	4								
15	Thumbscrew		415949G10	8								

**E. Door-Right Hinged Glass**  
**Undercounter, Worktop, Prep Table**  
 K-5 to M-5



Title: E. Door-Right Hinged Glass Models: Undercounter, Worktop, Prep Table											
Index No.	Description	Material or Model Number	Part Number	K-5 to M-5	Required Number Per Section						
1	Door (includes items 2 and 6)	UR27B-GLP01	2A8853-03	1							
		UF27B-GLP01	2A8853-04	1							
		UR48B-GLP01	2A8852-03	1							
2	Gasket	U_27B-GLP01	4A6448-01	1							
		UR48B-GLP01	4A6449-01	1							
3	Upper Hinge		3A9346-02	1							
3a	Truss Head Screw	5x12, SS	7C32-0512	2							
4	Hinge Pin		3A7946-04	1							
5	Hinge Pin Locknut		3A7946-05	1							
6	Hinge Arm		3A7946-01	1							
7	Lower Hinge		3A9342-01	1							
7a	Hex Head Tapping Bolt	1/4-20x3/4	4A5213-01	2							
8	Backer Plate		3A7946-08	1							
9	Slide Pin		3A7946-11	1							
10	Hinge Bushing		3A7946-09	1							
11	Nylon Washer		3A7946-10	1							

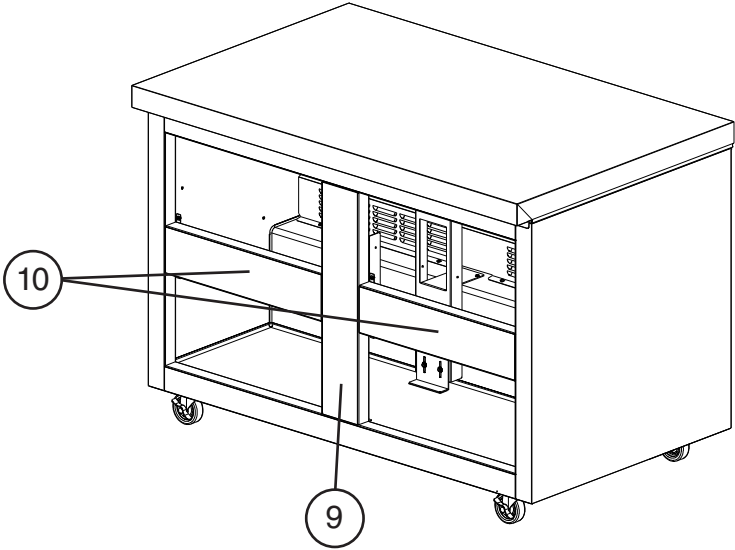
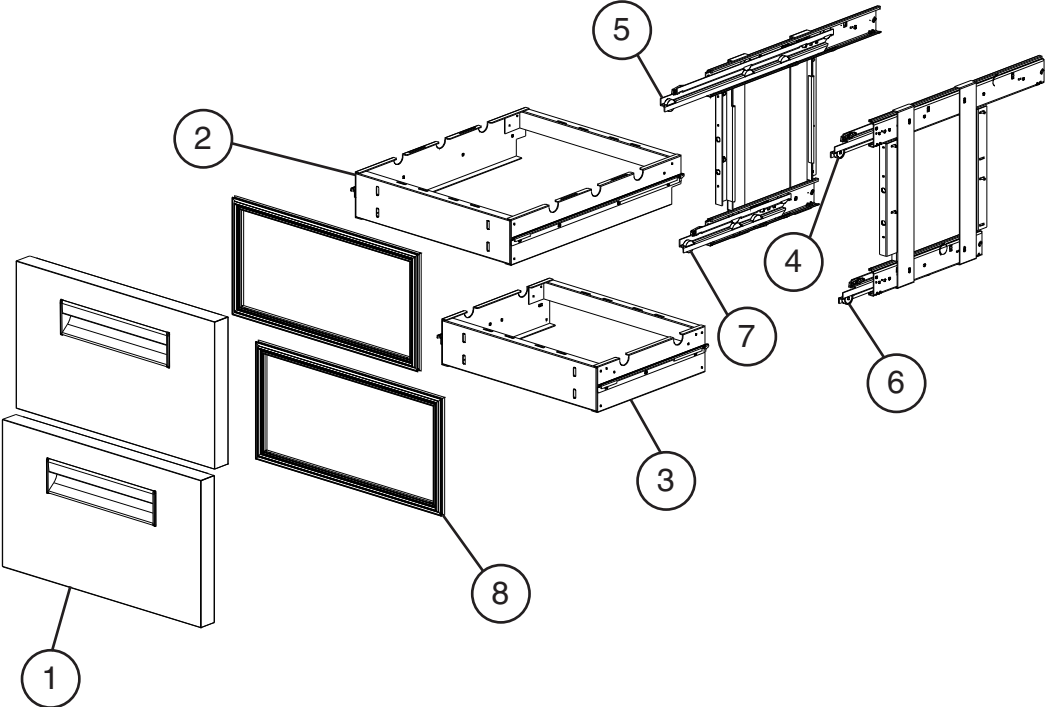
## F. Door-Left Hinged Glass Undercounter, Worktop, Prep Table K-5 to M-5



Model Shown: UR48A-GLP01

Title: F. Door-Left Hinged Glass Models: Undercounter, Worktop, Prep Table					Required Number Per Section								
Index No.	Description	Material or Model Number	Part Number	K-5 to M-5									
					1	Door (includes items 2 and 6)	<b>UR48B-GLP01</b>	<a href="#">2A8852-01</a>	1				
2	Gasket	<b>UR48B-GLP01</b>	<a href="#">4A6449-01</a>	1									
3	Upper Hinge		<a href="#">3A9346-01</a>	1									
3a	Truss Head Screw	5x12, SS	<a href="#">7C32-0512</a>	2									
4	Hinge Pin		<a href="#">3A7946-04</a>	1									
5	Hinge Pin Locknut		<a href="#">3A7946-05</a>	1									
6	Hinge Arm		<a href="#">3A7946-01</a>	1									
7	Lower Hinge		<a href="#">3A9342-02</a>	1									
7a	Hex Head Tapping Bolt	1/4-20x3/4	<a href="#">4A5213-01</a>	2									
8	Backer Plate		<a href="#">3A7946-08</a>	1									
9	Slide Pin		<a href="#">3A7946-11</a>	1									
10	Hinge Bushing		<a href="#">3A7946-09</a>	1									
11	Nylon Washer		<a href="#">3A7946-10</a>	1									

**G. Drawer**  
**Undercounter, Worktop, Prep Table (-D2)(-D4)(-D6)**  
K-5 to M-5

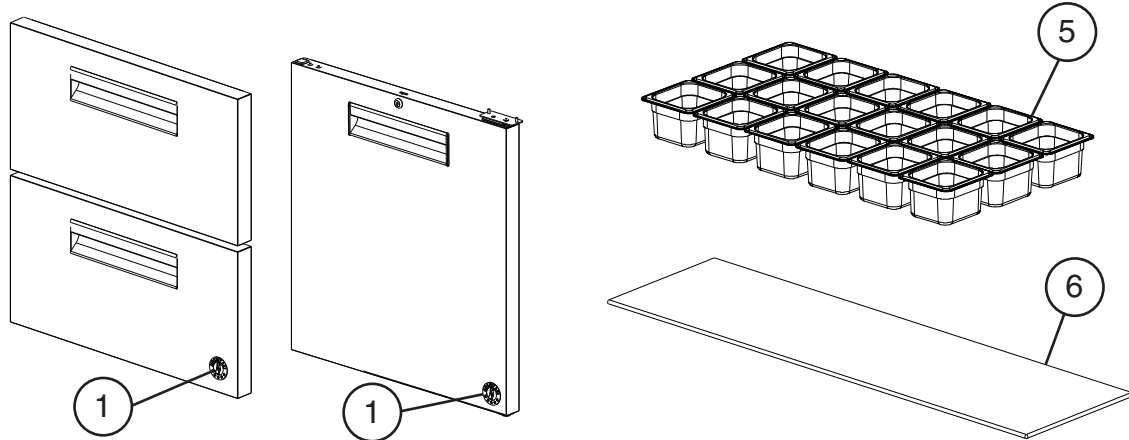


Title: G. Drawer Models: Undercounter, Worktop, Prep Table (-D2)(-D4)(-D6)											
Index No.	Description	Material or Model Number	Part Number	K-5 to M-5	Required Number Per Section						
1	Drawer Face	_R27B-D2(-8D2, -12MD2)	2A9736G01	2							
		_R48B-Dx(-12Dx, -18MDx)	2A9759G01	2							
		_R60B-Dx(-24MDx)	2A9760G01	2							
		_R72B-D6(-30MDx)	2A9759G01	2							
2	Upper Drawer Box	_R27B-D2(-8D2, -12MD2)	3B0691G01	1							
		_R48B-Dx(-12Dx, -18MDx)	3B0692G01	1							
		_R60B-Dx(-24MDx)	3B0773G01	1							
		_R72B-D6(-30MDx)	3B0692G01	1							
3	Lower Drawer Box	_R27B-D2(-8D2, -12MD2)	3B0694G01	1							
		_R48B-Dx(-12Dx, -18MDx)	3B0735G01	1							
		_R60B-Dx(-24MDx)	3B0774G01	1							
		_R72B-D6(-30MDx)	3B0735G01	1							
4	Upper Right Slide Roller		4A6146-02	1							
5	Upper Left Slide Roller		4A6147-02	1							
6	Lower Right Slide Roller		4A5663-02	1							
7	Lower Left Slide Roller		4A5664-02	1							
8	Gasket	_R27B-D2(-8D2, -12MD2)	2A5192-15	2							
		_R48B-Dx(-12Dx, -18MDx)	2A5192-17	2							
		_R60B-Dx(-24MDx)	2A5192-16	2							
		_R72B-D6(-30MDx)	2A5192-17	2							
9	Vertical Mullion	_R48B-Dx(-12Dx, -18MDx)	2A6824G01	1							
		_R60B-Dx(-24MDx)		1							
		_R72B-D6(-30MDx)		2							
10	Horizontal Mullion	_R27B-D2(-8D2, -12MD2)	2A7484G01	1							
		_R48B-Dx(-12Dx, -18MDx)	2A7467G01	2							
		_R60B-Dx(-24MDx)	2A7497G01	2							
		_R72B-D6(-30MDx)	2A7467G01	3							

## H. Accessories & Labels

### Undercounter, Worktop, Prep Table

K-5 to M-5



Title: H. Accessories & Labels		Models: Undercounter, Worktop, Prep Table		Required Number							
Index No.	Description	Material or Model Number	Part Number	K-5 to M-5							
<b>Common Parts</b>											
1	Penguin Label		475552L01	1							
2	4" Caster Kit (includes 2 of items 3 and 4 and 1 of 4a)	<b>HS-5035 UC</b>	4A5434A01	1							
	2" Caster Kit (includes 2 of items 3 and 4 and 1 of 4a)	<b>HS-5037 UC Low Profile</b>	4A5436A01	1							
	6" Caster Kit (includes 2 of items 3 and 4)	<b>HS-5036 WT/Prep Table</b>	4A5435A01	1							
3	4" Non-Locking Caster	<b>UC</b>	4A5427-01	2							
	2" Non-Locking Caster	<b>UC Low Profile</b>	4A5429-01	2							
	6" Non-Locking Caster	<b>WT/Prep Table</b>	4A5428-01	2							
4	4" Locking Caster	<b>UC</b>	4A5427-02	2							
	2" Locking Caster	<b>UC Low Profile</b>	4A5429-02	2							
	6" Locking Caster	<b>WT/Prep Table</b>	4A5428-02	2							
4a	Wrench	<b>UC Low Profile</b>	4A5492-01	1							
<b>Prep Table Specific Parts</b>											
5	1/6 Size Pan, 4" Depth	<b>-8</b>	1000000344	8							
		<b>-10</b>		10							
		<b>-16</b>		16							
		<b>-15M</b>		15							
		<b>-12, -12M, -12MD(x)</b>		12							
		<b>-18, -18M, -18MD(x)</b>		18							
		<b>-24M, -24MD(x)</b>		24							
	<b>-30M, -30MD(x)</b>	30									
6	Cutting Board	<b>SR27B-8(Dx) and SR27B-12(M(Dx))</b>	3A4894-09	1							
		<b>SR36B-10(-15M)</b>	3A4894-15	1							
		<b>SR48B-xx(M(Dx))</b>	3A4894-10	1							
		<b>SR60B-xx(M(Dx))</b>	3A4894-13	1							
		<b>SR72B-xx(M(Dx))</b>	3A4894-14	1							