

TO REFRIGERATOR
DISPLAY BOARD

CONTROL BOARD

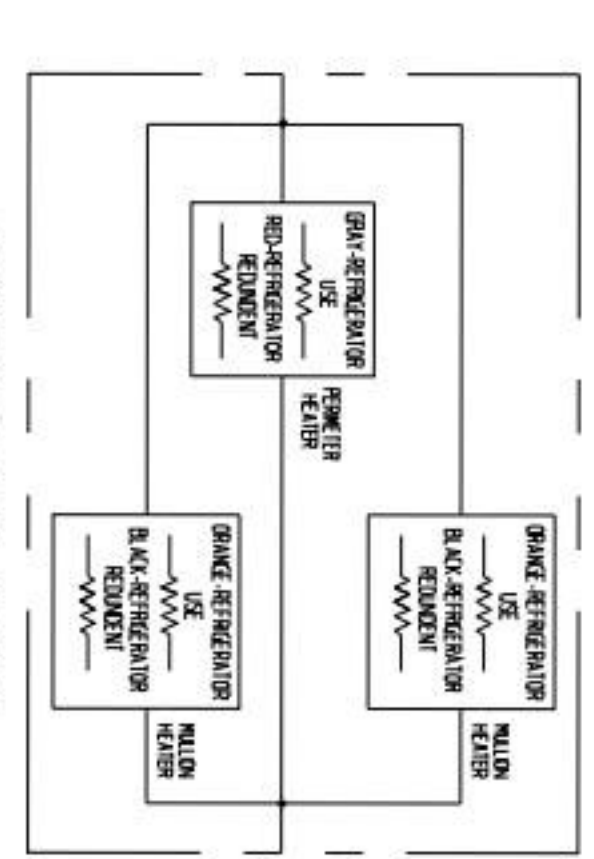
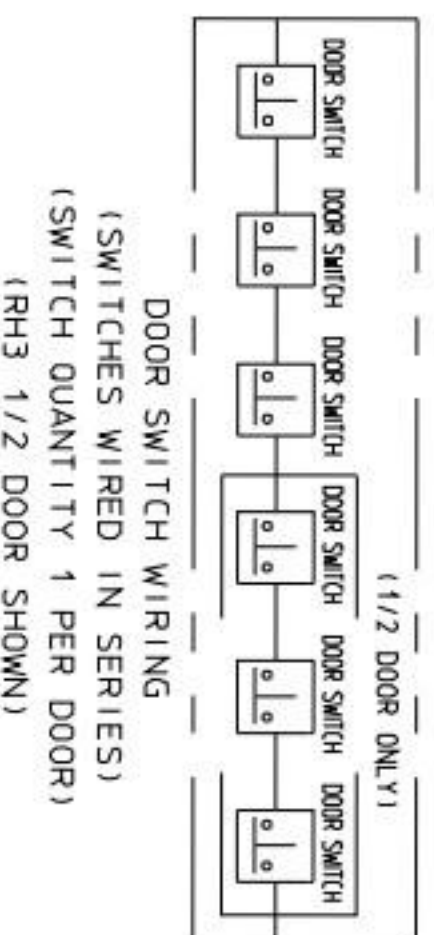
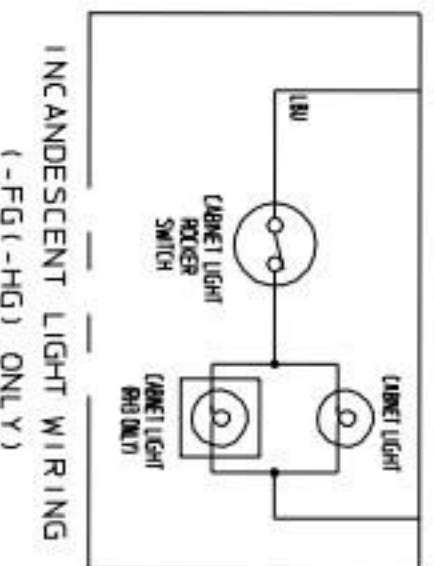
Transformer Output
10V at 115VAC Input

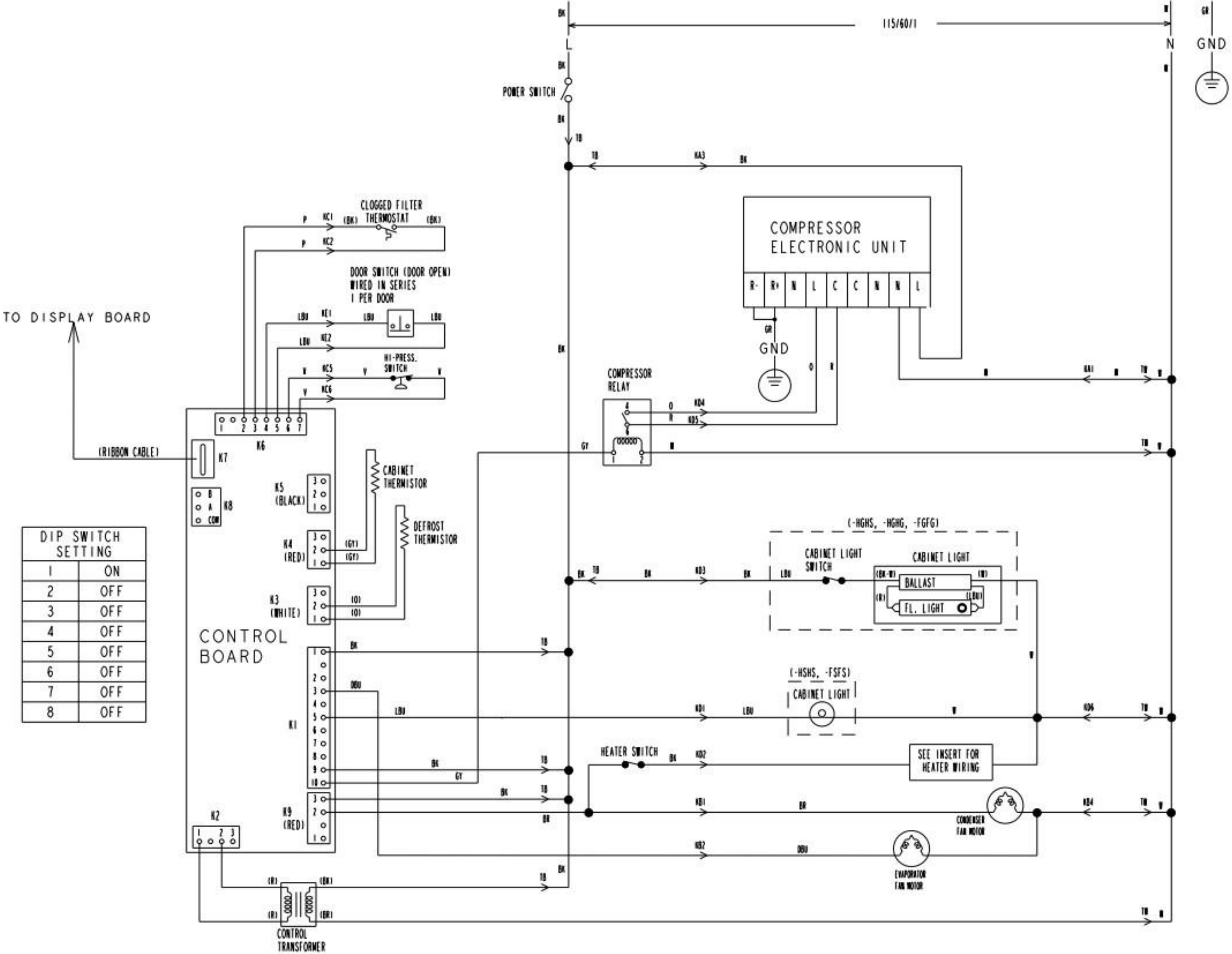
FACTORY DEFAULT
DIP SWITCH SETTINGS

DIP SWITCH SETTING	NO. 1	NO. 2	NO. 3	NO. 4	NO. 5	NO. 6	NO. 7	NO. 8
	ON	OFF	OFF	OFF	OFF	OFF	OFF	OFF

WIRE COLOR CODE

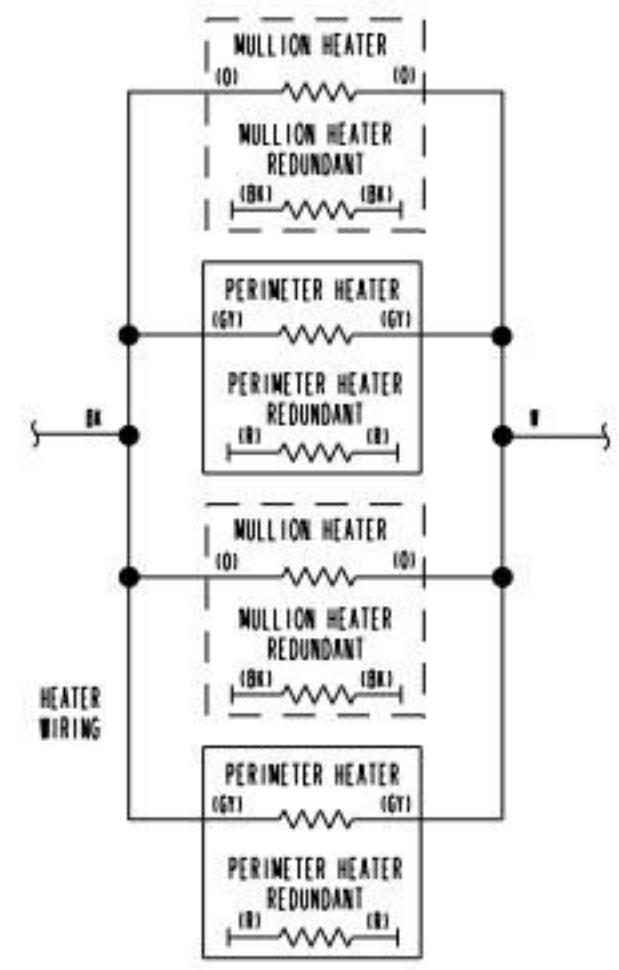
BR	BROWN
W	WHITE
BK	BLACK
R	RED
O	ORANGE
GY	GRAY
P	PINK
DBU	DARKBLUE
V	VIOLET
Y	YELLOW





WIRE COLOR CODE	
BK	BLACK
BR	BROWN
DBU	DARK BLUE
GR	GREEN
GY	GRAY
LBU	LIGHT BLUE
O	ORANGE
P	PINK
R	RED
V	VIOLET
W	WHITE
Y	YELLOW

DIP SWITCH SETTING	
1	ON
2	OFF
3	OFF
4	OFF
5	OFF
6	OFF
7	OFF
8	OFF



Transformer Output
10V at 115VAC Input