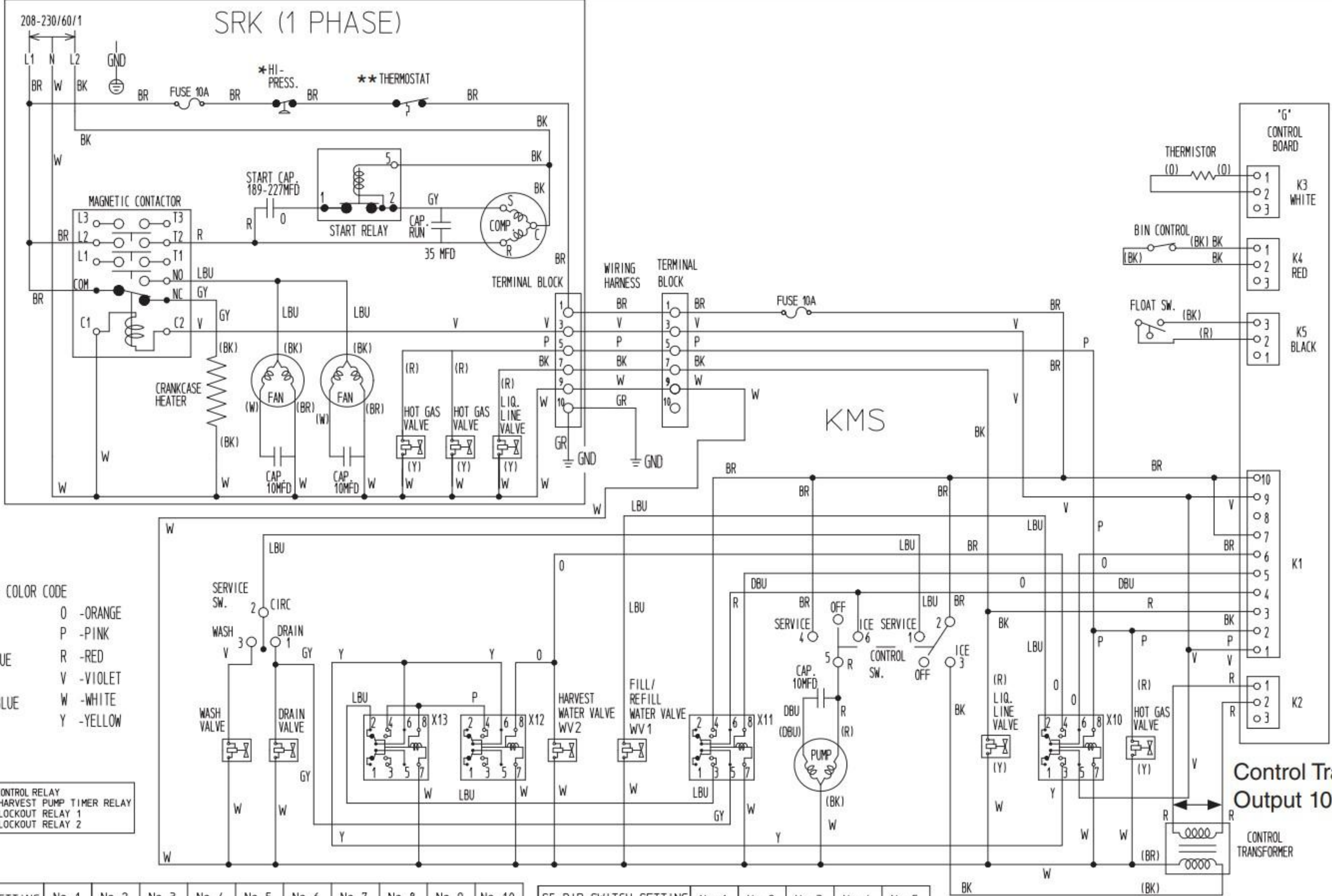


# B. Wiring Diagrams

## 1. KMS-1401MLJ with SRK-14J



**WIRE COLOR CODE**

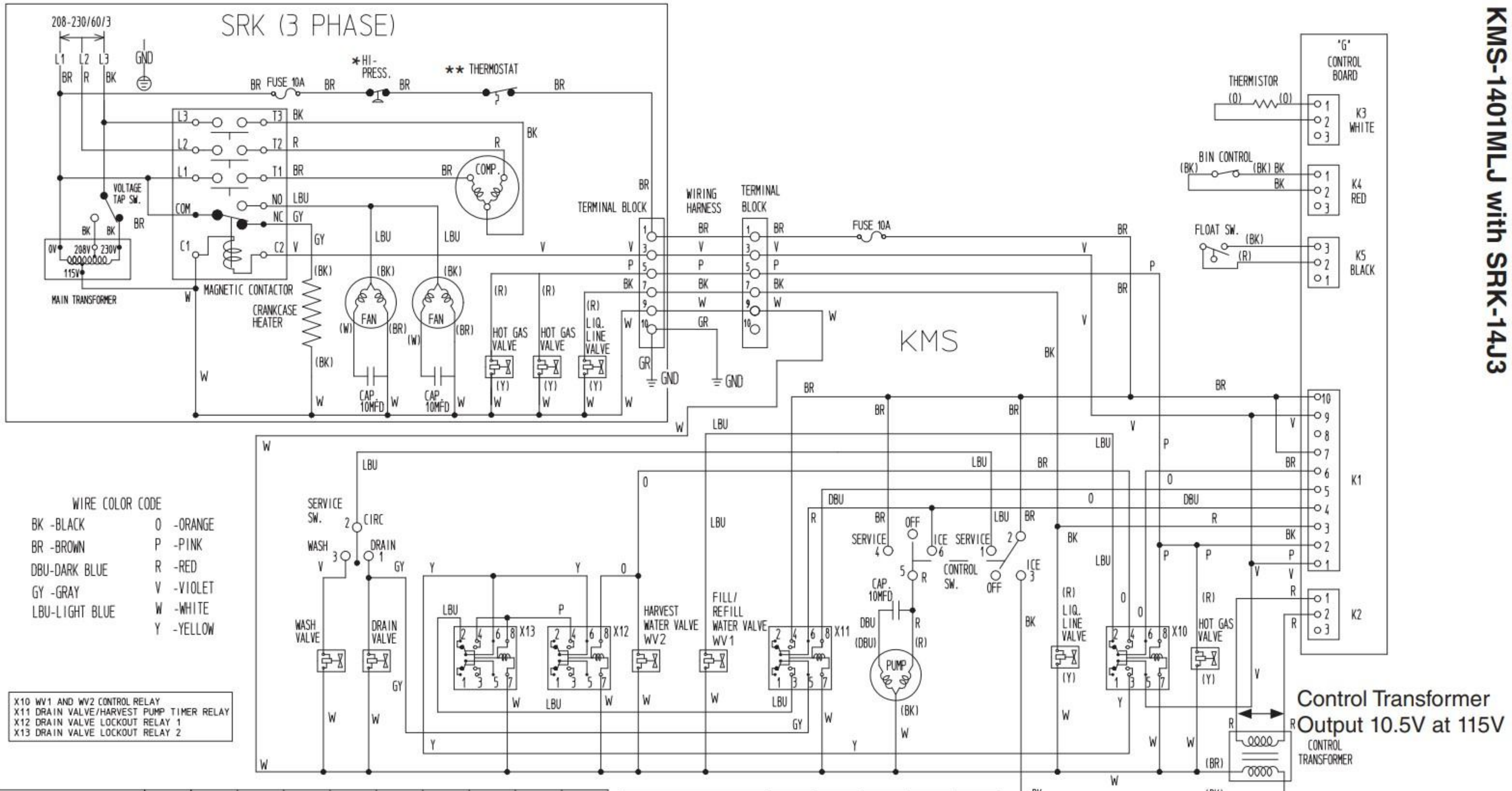
BK -BLACK	O -ORANGE
BR -BROWN	P -PINK
DBU-DARK BLUE	R -RED
GY -GRAY	V -VIOLET
LBU-LIGHT BLUE	W -WHITE
	Y -YELLOW

X10 WV1 AND WV2 CONTROL RELAY  
 X11 DRAIN VALVE/HARVEST PUMP TIMER RELAY  
 X12 DRAIN VALVE LOCKOUT RELAY 1  
 X13 DRAIN VALVE LOCKOUT RELAY 2

Control Transformer  
 Output 10.5V at 115V

S4 DIP SWITCH SETTING	No. 1	No. 2	No. 3	No. 4	No. 5	No. 6	No. 7	No. 8	No. 9	No. 10
KMS-1401MLJ	OFF	OFF	OFF	ON	ON	ON	ON	OFF	OFF	OFF

S5 DIP SWITCH SETTING	No. 1	No. 2	No. 3	No. 4	No. 5
KMS-1401MLJ	ON	ON	OFF	OFF	OFF



WIRE COLOR CODE

- BK -BLACK
- BR -BROWN
- DBU-DARK BLUE
- GY -GRAY
- LBU-LIGHT BLUE
- O -ORANGE
- P -PINK
- R -RED
- V -VIOLET
- W -WHITE
- Y -YELLOW

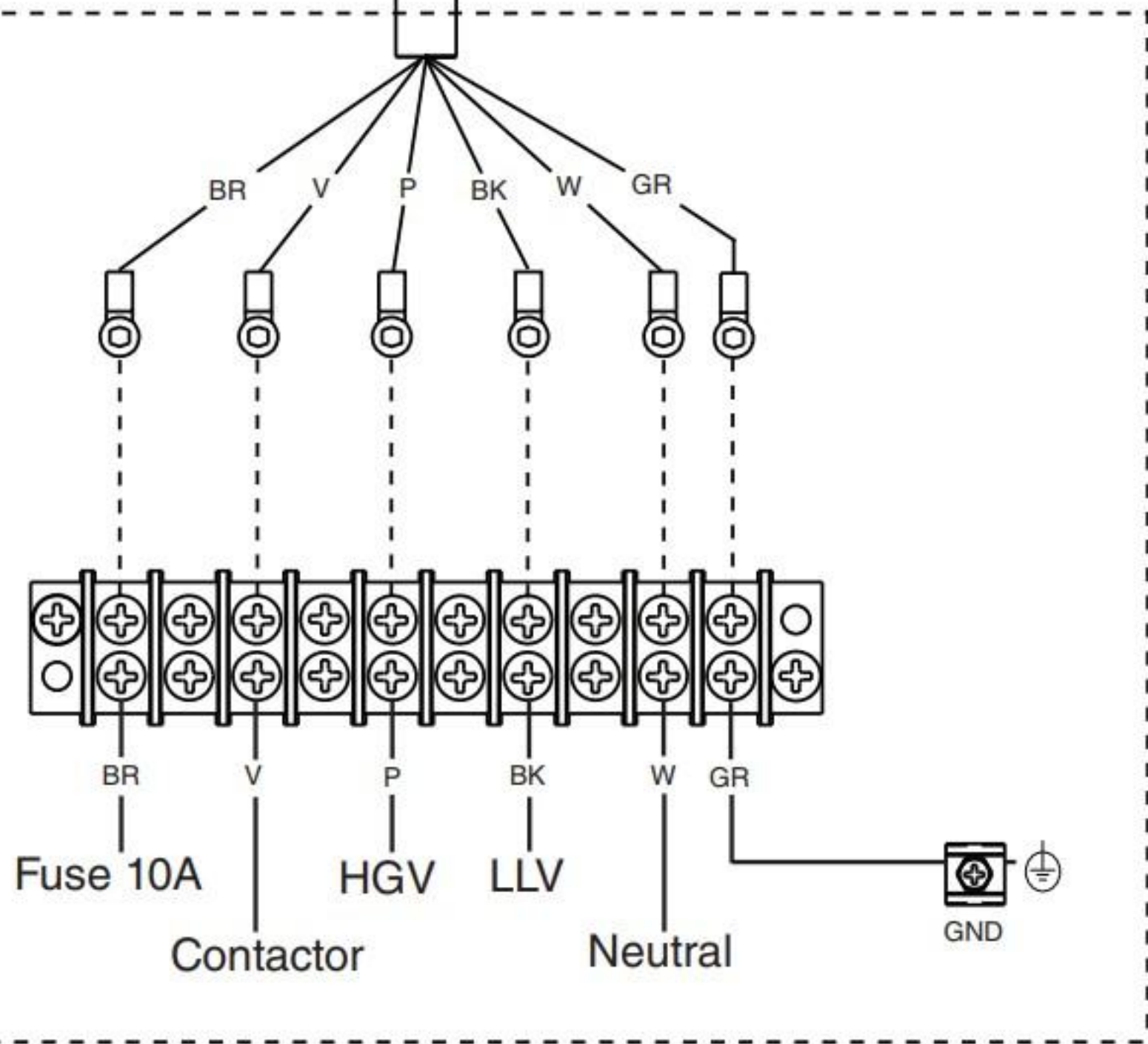
X10 WV1 AND WV2 CONTROL RELAY  
 X11 DRAIN VALVE/HARVEST PUMP TIMER RELAY  
 X12 DRAIN VALVE LOCKOUT RELAY 1  
 X13 DRAIN VALVE LOCKOUT RELAY 2

Control Transformer  
 Output 10.5V at 115V  
 CONTROL TRANSFORMER

S4 DIP SWITCH SETTING	No. 1	No. 2	No. 3	No. 4	No. 5	No. 6	No. 7	No. 8	No. 9	No. 10
KMS-1401MLJ	OFF	OFF	OFF	ON	ON	ON	ON	OFF	OFF	OFF

S5 DIP SWITCH SETTING	No. 1	No. 2	No. 3	No. 4	No. 5
KMS-1401MLJ	ON	ON	OFF	OFF	OFF

### SRK Condensing Unit



### KMS Icemaker Unit (factory connected)

