



# HOSHIZAKI

## Parts List

### Condensing Unit

Models

SRC-10H



[hoshizakiamerica.com](http://hoshizakiamerica.com)

Number: 71236  
Issued: 5-23-2005  
Revised: 3-xx-2022

## CONTENTS

Auxiliary Codes.....	3
Note About Ordering Parts .....	3
A. Main Assembly & Refrigeration Circuit .....	4
B. Control Box Assembly.....	6
C. Accessories & Labels .....	7

## **Auxiliary Codes**

### **SRC-10H**

P-0	July 2004
Q-0	July 2005
S-0	February 2007
T-0	April 2008
U-0	January 2009
V-0	January 2010
A-0	January 2011
B-0	January 2012
C-0	January 2013
D-0	January 2014
E-0	May 2015
F-0	March 2016
F-1	May 2016
G-0	February 2017

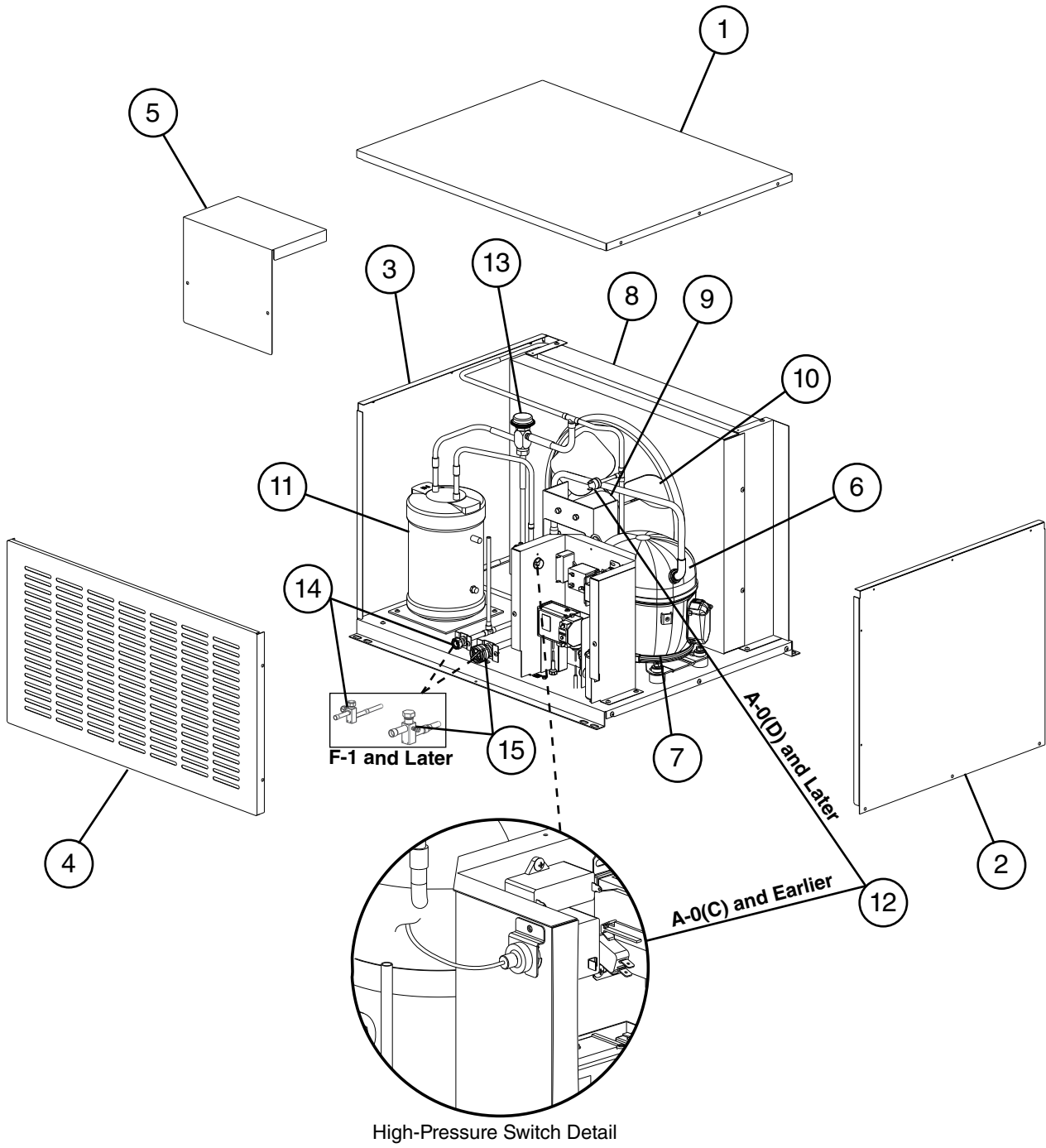
## **Auxiliary Code Breakdown**

The auxiliary code is the first two characters in the serial number. The first character indicates the year. Years progress or regress in alphabetical order. The series runs from "A" through "V" and the letters "I" and "O" are skipped. The second character indicates significant part changes within a year. Base is "0" and this number advances for each change. In cases where there is a letter in parentheses, this designates the month. This is the last character in the serial number. The series runs from "(A)" through "(M)" and the letter "(I)" is skipped. This designation is only included when identifying a parts change within an auxiliary code.

## **Note About Ordering Parts**

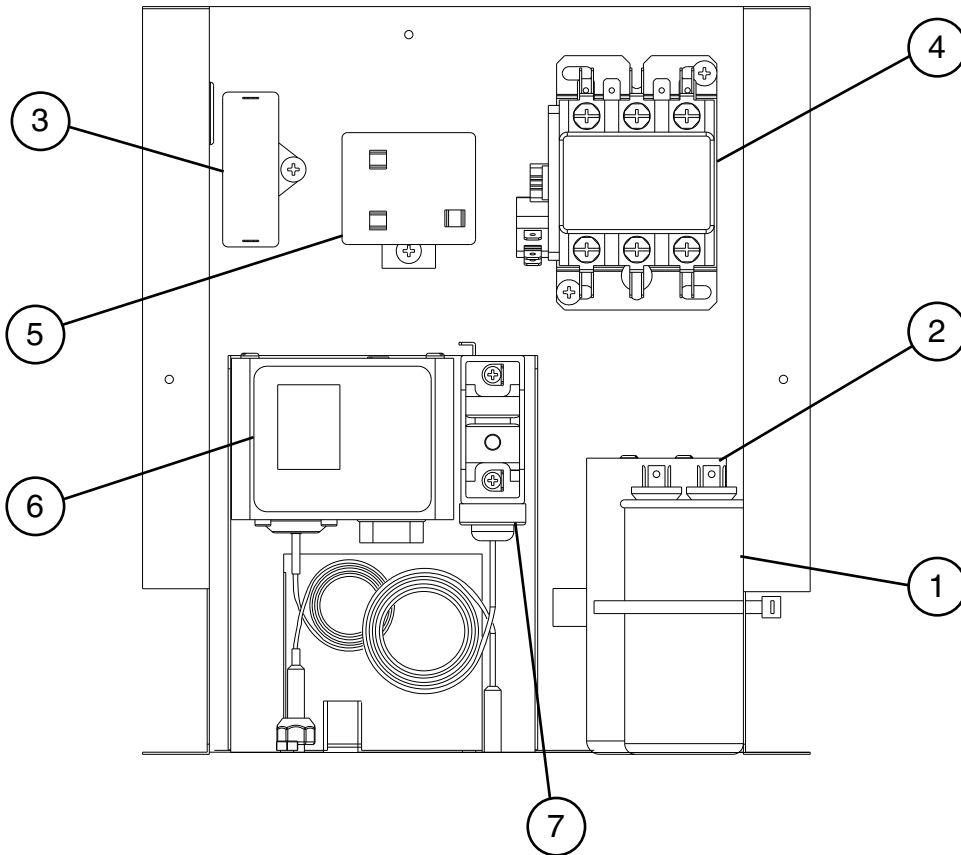
Most assemblies cannot be ordered as complete units; parts in the assemblies generally must be ordered separately.

**A. Main Assembly & Refrigeration Circuit**  
**SRC-10H**  
 P-0 to G-0



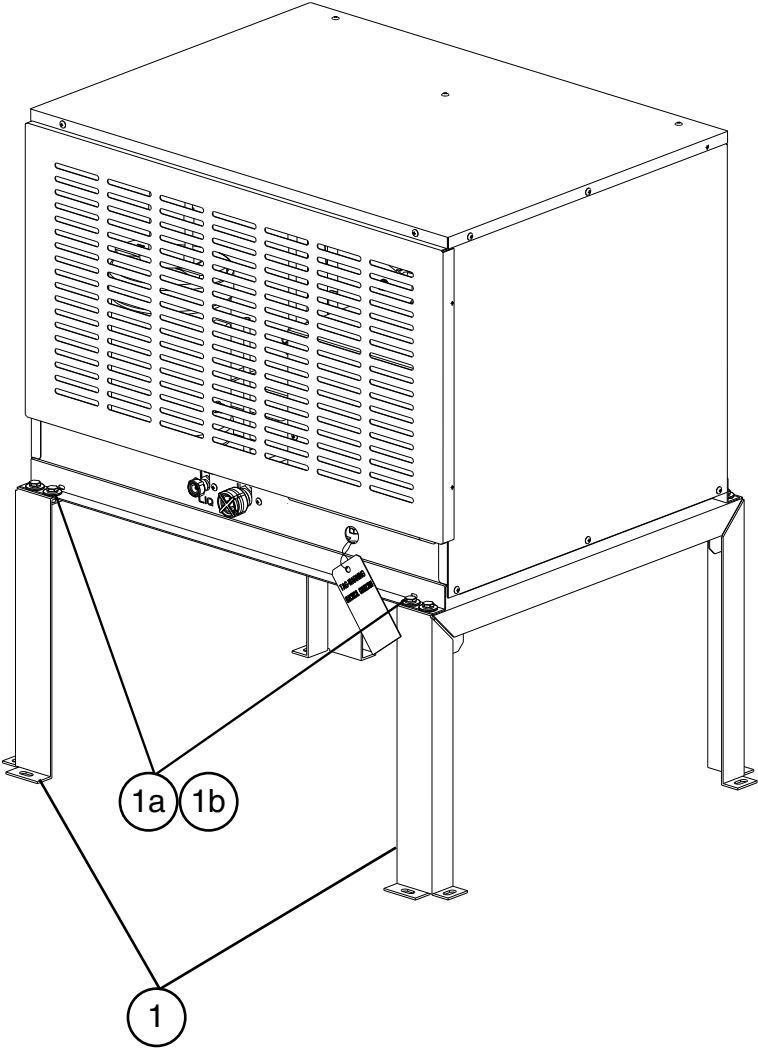
Title: A. Main Assembly & Refrigeration Circuit Model: SRC-10H											
Index No.	Description	Material or Model Number	Part Number	Required Number							
				P-0 to A-0 (C)	A-0 (D) to C-0	D-0 to F-0	F-1 G-0				
<b>Main Assembly</b>											
1	Top Panel		2A3164-01	1	1	1	1				
2	Right Side Panel		2A3163-01	1	1	1	1				
3	Left side Panel		2A3162-01	1	1	1	1				
4	Louver Panel		2A1598-01	1	1	1	1				
5	Control Box Cover		3A3182-01	1	1	1	1				
<b>Refrigeration Circuit</b>											
6	Compressor		4A3494-01	1	1	-					
			3A6900-02			1	1				
7	Crankcase Heater		434186-01	1	1	-					
			4A5091-01			1	1				
8	Condenser		2A1613-01	1	1	1	1				
9	Fan Motor		4A3201-01	1	1	1	1				
10	Fan Blade		4A1493-01	1	1	1	1				
11	Receiver		437652-01	1	1	1	1				
12	High-Pressure Switch		433441-05	1	-						
			463180-04		1	1	1				
13	Headmaster (Condensing Pressure Regulator)		4A0229-03	1	1	1	1				
14	Liquid Line Coupling		426554-01	1	1	1	-				
	Liquid Line Service Valve		4A3491-01				1				
15	Suction Line Coupling		434072-01	1	1	1	-				
	Suction Line Service Valve		4A3490-01				1				

**B. Control Box Assembly**  
**SRC-10H**  
P-0 to G-0



Title: B. Control Box Assembly		Model: SRC-10H		Required Number							
Index No.	Description	Material or Model Number	Part Number	P-0 to C-0	D-0 to G-0						
				1	Run Capacitor	20MFD, 440VAC	3A2005-01	1	-		
		30MFD, 440VAC	3A2005-14		1						
2	Start Capacitor	189-227MFD, 330VAC	3A0076-12	1	-						
		108-130MFD, 330VAC	3A0076-22		1						
3	Fan Motor Capacitor	10MFD, 250VAC	443192-01	1	1						
4	Magnetic Contactor		4A0794-01	1	1						
5	Start Relay		4A1107-12	1	-						
			4A1107-07		1						
6	Control Low-Pressure Switch	SP-5629	4A5353G01	1	1						
7	Safety Low-Pressure Switch		4A3497-01	1	1						

**C. Accessories & Labels**  
**SRC-10H**  
 P-0 to G-0



Title: C. Accessories & Labels    Model: SRC-10H										
Index No.	Description	Material or Model Number	Part Number	Required Number						
				P-0 to G-0						
1	Leg		2A3166G01	2						
1a	Hex Head Bolt w/ Washer	8x20, SS	7B0130820	8						
1b	Hex Nut	M8, SS	7N12-0800	8						