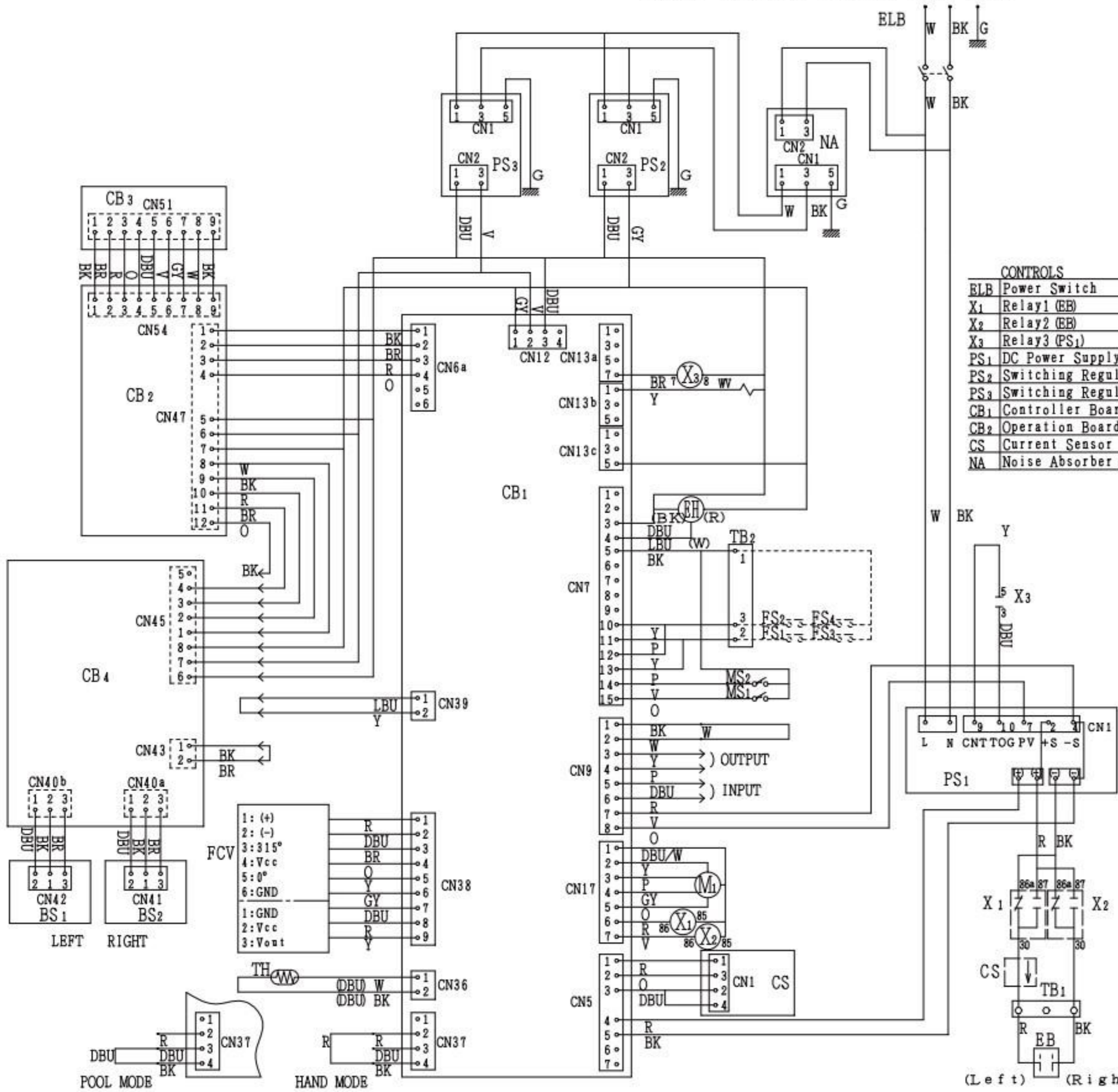


Power Supply 1Phase 100-120V



| CONTROLS | |
|-----------------|-----------------------------|
| ELB | Power Switch |
| X1 | Relay1 (EB) |
| X2 | Relay2 (EB) |
| X3 | Relay3 (PS ₁) |
| PS ₁ | DC Power Supply |
| PS ₂ | Switching Regulator (12VDC) |
| PS ₃ | Switching Regulator (5VDC) |
| CB ₁ | Controller Board |
| CB ₂ | Operation Board |
| CS | Current Sensor |
| NA | Noise Absorber (Fuse) |

| ELECTRICAL PARTS | |
|------------------|--|
| CB ₃ | Operation Board |
| EH | Electromagnetic Metering Pump |
| EB | Electrode |
| M1 | Stepping Motor |
| FCV | Flow Controller Valve |
| MS ₁ | Micro Switch (Position) |
| MS ₂ | Micro Switch (Direction) |
| WV | Water Valve |
| TH | Thermistor |
| TB ₁ | Terminal Block 1 |
| TB ₂ | Terminal Block 2 |
| FS ₁ | Float Switch (Acid Water Tank Upper) |
| FS ₂ | Float Switch (Acid Water Tank Lower) |
| FS ₃ | Float Switch (Alkaline Water Tank Upper) |
| FS ₄ | Float Switch (Alkaline Water Tank Lower) |

| REMOTE | |
|-----------------|---------------------|
| CB ₄ | Remote Board |
| BS ₁ | Beam Sensor (Left) |
| BS ₂ | Beam Sensor (Right) |

- W.....WHITE
- BK.....BLACK
- R.....RED
- V.....VIOLET
- LBU....LIGHT BLUE
- Y.....YELLOW
- O.....ORANGE
- BR.....BROWN
- P.....PINK
- GR/Y...GREEN/YELLOW
- GY.....GRAY
- DBU....DARK BLUE
- DBU/W..DARK BLUE/WHITE
- G.....GREEN (GROUND)

(Left) (Right)