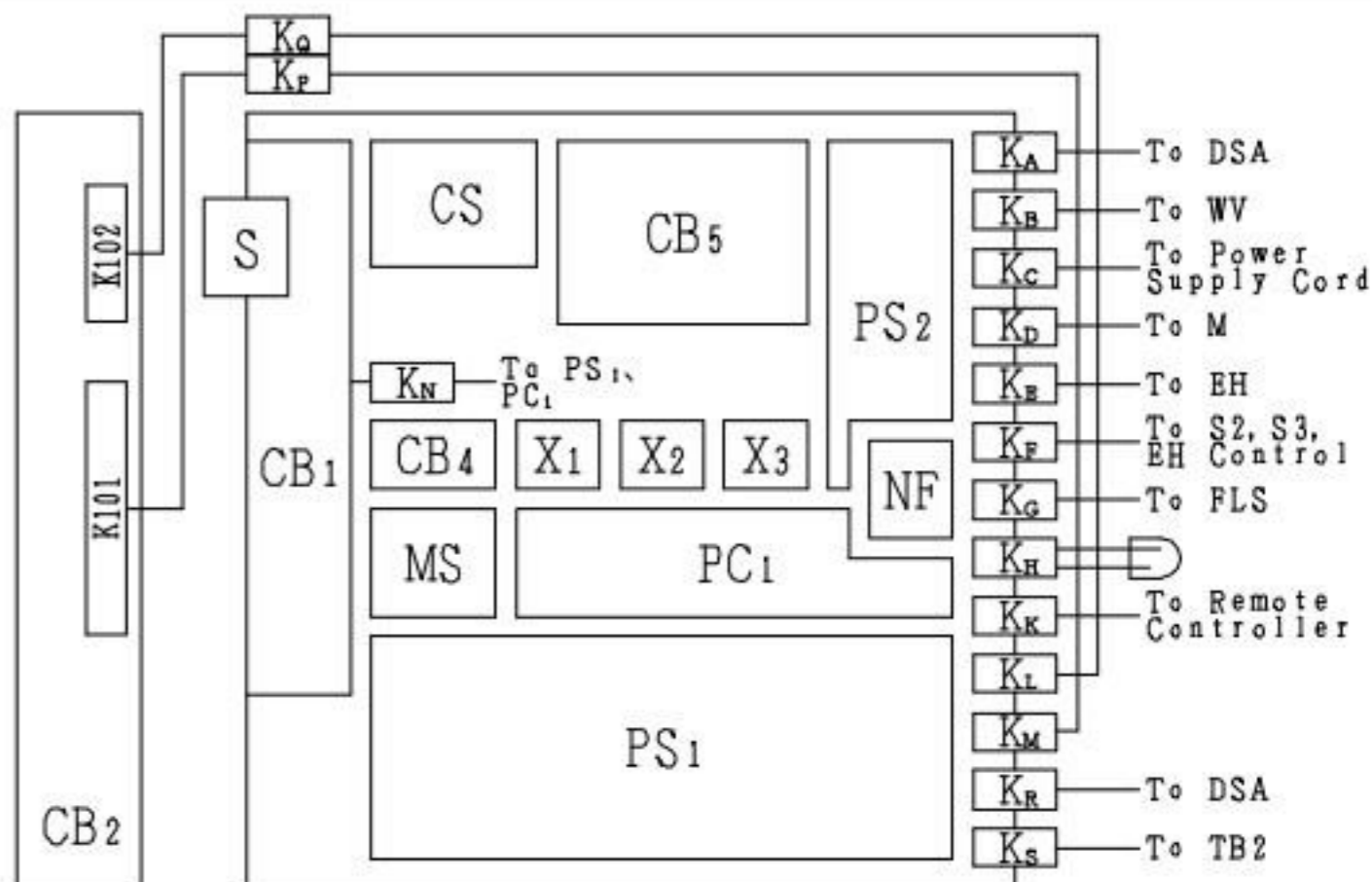
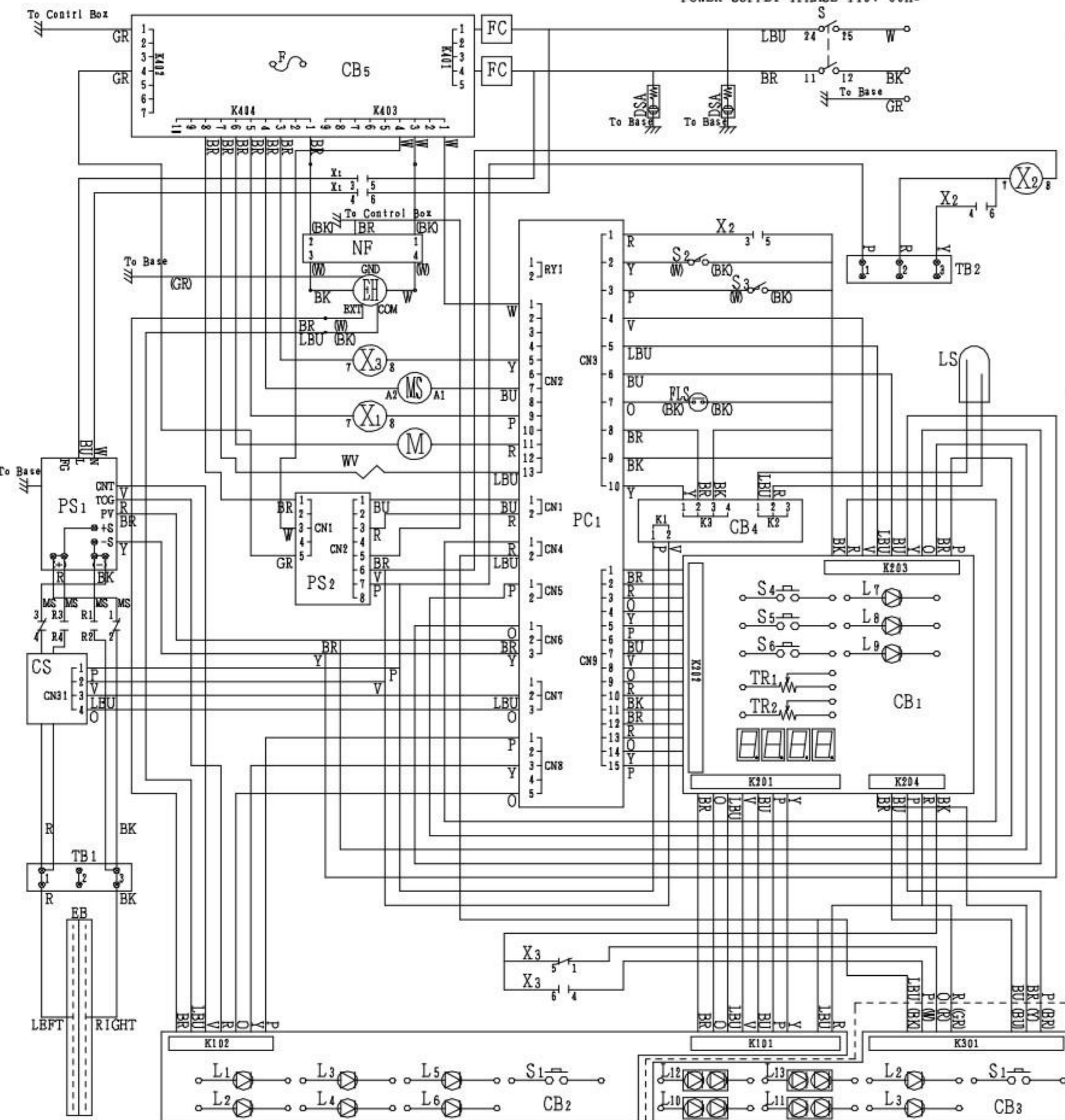
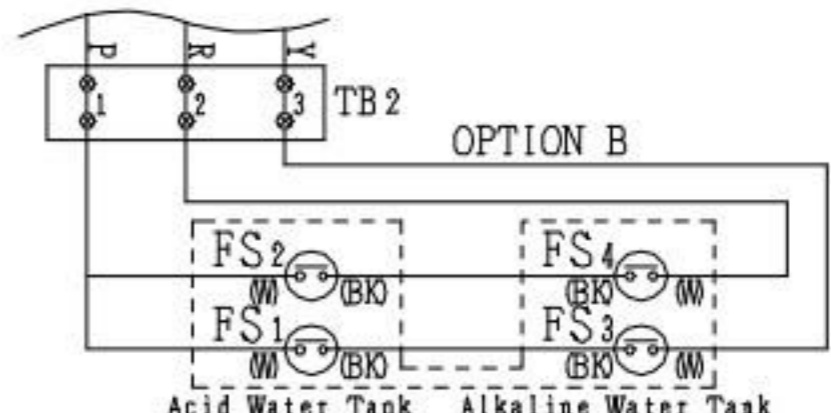


POWER SUPPLY 1PHASE 115V 60Hz



Connectors location inside of Control Box



Wiring of Float Switches for Water Tank

Tank	Switch	Description
Acid Water Tank	FS1	Float Switch (Acid Water Tank Lower)
	FS2	Float Switch (Acid Water Tank Lower)
Alkaline Water Tank	FS3	Float Switch (Alkaline Water Tank Lower)
	FS4	Float Switch (Alkaline Water Tank Lower)

CONTROLS	
S	Power Switch
X1	Relay 1
X2	Relay 2
X3	Relay 3
MS	Magnetic Contactor
PC1	Programmable Controller
CB1	Operation Board
CB2	Lamp Board
CB3	Remote Controller Board
CB4	Water Level Sensor Board
CB5	Noise Board
PS1	DC Power Supply (EWS300-18/HZCUL)
PS2	Switching Regulator (SLM012-02)
CS	Current Sensor

L8	Amparage Lamp
L9	Voltage Lamp
L10	Acid Water Lamp [lower]
L11	Alkaline Water Lamp [lower]
L12	Acid Water Lamp [upper]
L13	Alkaline Water Lamp [upper]
TR1	Voltage Control Volume
TR2	Amparage Control Volume
F	Fuse (125V, 5A)
FC	Ferrite Core
NF	Noise Filter

MECHANISM	
M	Gear Motor
S1	Dispense Button
S2	Display Select Button
S3	Flush Button
S4	Set Button
L1	Dispensing Lamp
L2	Ready Lamp
L3	Add Salt Water Lamp
L4	Flush Lamp
L5	Electrolytic Cell Replace Lamp
L6	Service Call Lamp
L7	Operation Time Lamp
WV	Water Valve
EH	Electromagnetic Metering Pump
FLS	Flow Rate Sensor
LS	Water Level Sensor
EB	Electrode
TB1	Terminal Block 1
TB2	Terminal Block 2
DSA	Surge Absorber

* This appliance shall be connected either OPTION A or OPTION B.