

# Hoshizaki America, Inc.

## SafeTemp Series Refrigerated Kitchen Equipment

### Models

RH1-AAC(-HD)

RH2-AAC(-HD)

RH3-AAC(-HD)



“A Superior Degree  
of Reliability”

[www.hoshizaki.com](http://www.hoshizaki.com)

## PARTS LIST



Number: 71178  
Issued: 8-30-2000  
Revised: 9-9-2010

# CONTENTS

Material Abbreviations .....	4
Auxiliary Codes.....	5
Note About Ordering Parts .....	5
A. Reach-In.....	6
RH1-AAC(-HD).....	6
RH2-AAC(-HD).....	8
RH3-AAC(-HD).....	10
B. Refrigeration System.....	12
RH1-AAC(-HD).....	12
RH2-AAC(-HD).....	14
RH3-AAC(-HD).....	16
C. Panel-Front Hinged Assembly .....	18
RH1-AAC(-HD), RH2-AAC(-HD), RH3-AAC(-HD).....	18
D. Body-Final .....	20
RH1-AAC.....	20
RH1-AAC-HD .....	22
RH2-AAC.....	24
RH2-AAC-HD .....	26
RH3-AAC.....	28
RH3-AAC-HD .....	30
E. Control Box Assembly .....	32
RH1-AAC(-HD), RH2-AAC(-HD), RH3-AAC(-HD).....	32
F. Fan-Evaporator Assembly.....	34
RH1-AAC(-HD).....	34
F. Evaporator-Shroud Assembly .....	36
RH2-AAC(-HD).....	36
RH3-AAC(-HD).....	37
G. Evaporator Assembly .....	38
RH1-AAC(-HD).....	38
RH2-AAC(-HD).....	39
RH3-AAC(-HD).....	40
H. Condenser Assembly .....	41
RH1-AAC(-HD).....	41
RH2-AAC(-HD).....	43
RH3-AAC(-HD).....	45
J. Body-Prefinal .....	47
RH1-AAC(-HD).....	47
RH2-AAC(-HD).....	49
RH3-AAC(-HD).....	51
K. Door-Right.....	53
RH1-AAC, RH2-AAC, RH3-AAC .....	53
L. Door-Left.....	55
RH2-AAC, RH3-AAC .....	55

M. Door-Half (UR).....	57
RH1-AAC-HD, RH2-AAC-HD, RH3-AAC-HD.....	57
N. Door-Half (LR).....	58
RH1-AAC-HD, RH2-AAC-HD, RH3-AAC-HD.....	58
P. Door-Half (UL).....	59
RH2-AAC-HD, RH3-AAC-HD .....	59
Q. Door-Half (LL) .....	60
RH2-AAC-HD, RH3-AAC-HD .....	60
R. Mullion-Horizontal .....	61
RH1-AAC-HD .....	61
S. Mullion-Vertical .....	62
RH2-AAC, RH3-AAC .....	62
T. Mullion-Cross .....	64
RH2-AAC-HD, RH3-AAC-HD .....	64
U. Mullion-Tee .....	66
RH3-AAC-HD .....	66
V. Label Location .....	68
RH1-AAC(-HD).....	68
RH2-AAC(-HD).....	69
RH3-AAC(-HD).....	70
W. Literature & Packaging.....	71
RH1-AAC(-HD), RH2-AAC(-HD), RH3-AAC(-HD).....	71

## Material Abbreviations

### ALUMINUM

AL = Aluminum

### COPPER

CU = Copper

### PLASTIC

ABS = Acrylonitrile -butadiene - styrene  
AC = Polyacetal  
EVA = Ethylene vinyl acetate  
PA = Polyamide = Nylon  
PC = Polycarbonate  
PE = Polyethylene  
PES = Polyester  
PETP = Polyethylene terephthalate = Tetlon  
PP = Polypropylene  
PS = Polystyrene  
PTFE = Polytetrafluoroethylene = Teflon  
PUR = Polyurethane  
PVC = Polyvinyl chloride

### RUBBER

VN = Vinyl Nitrile  
EPDM = EP rubber  
NBR = Nitrile butadiene rubber  
NR = Natural rubber  
NP = Neoprene  
SI.R = Silicone rubber  
SY.R = Synthetic rubber  
EPH = Epichlorohydrin

### STEEL

GS = Galvanized steel  
SS = Stainless steel  
PS = Plated steel  
PAS = Primed steel

### AUXILIARY CODE

K-0

┌┌ Designates the year. "K" indicates the year 2000. Years progress or regress in alphabetical order.  
┌┌ "J" is 1999, "L" is 2001, "M" is 2002, and so on. The letters "I" and "O" were skipped.  
┌┌ Designates significant part changes within the same year for this model. Base is 5 (0 for codes L-0  
and earlier) and this number advances for each change.

Example: P-6

┌┌ "P" indicates 2004.  
┌┌ "6" indicates the first significant part change for 2004.

## Auxiliary Codes

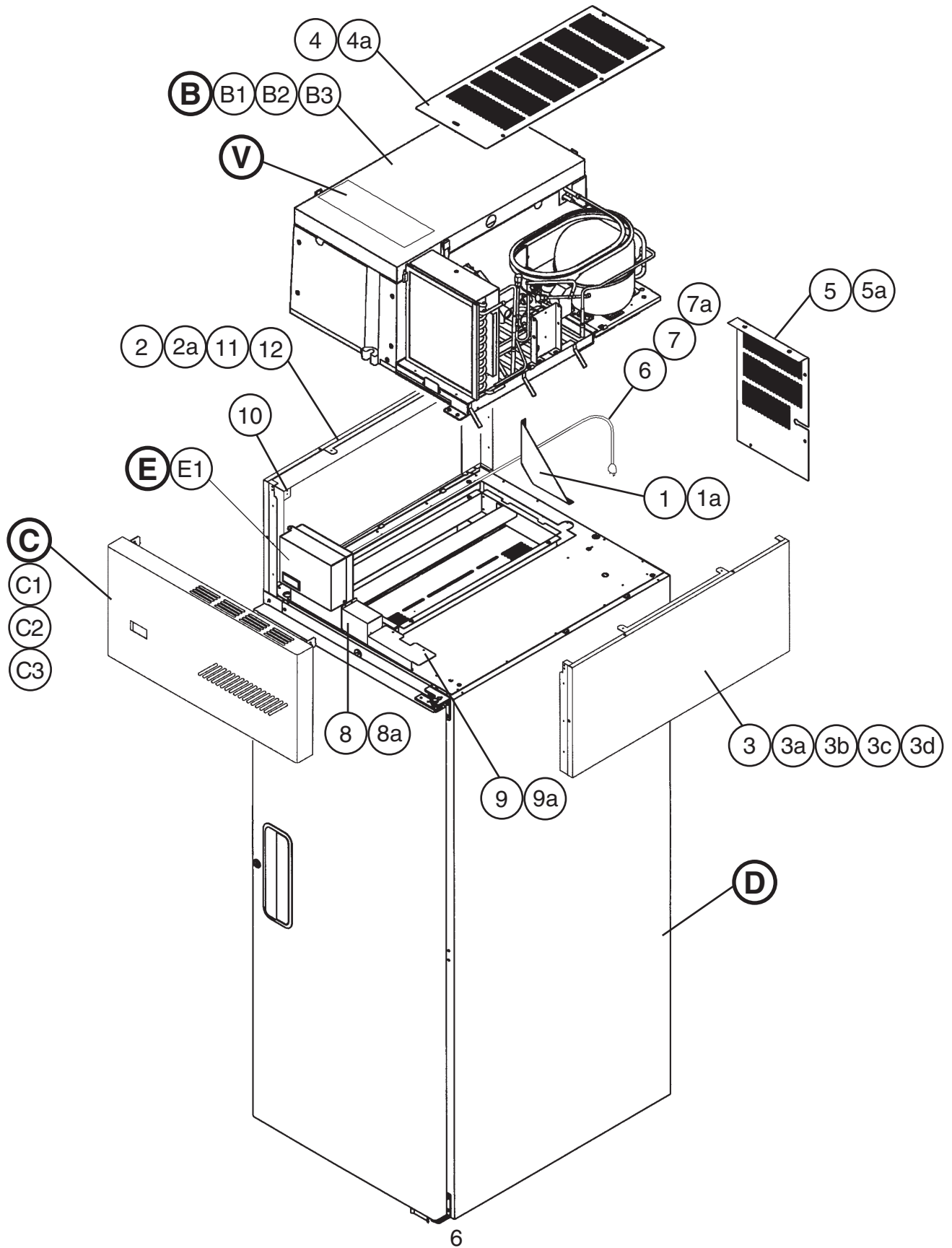
<b>RH1-AAC</b>	K-0	June 2000	<b>RH2-AAC-HD</b>	K-0	May 2000	
	K-1	October 2000		L-5	February 2001	
	L-0	December 2000		N-5	December 2001	
	L-5	February 2001		N-6	February 2003	
	M-5	December 2001		P-5	December 2003	
	M-6	July 2002		P-6	October 2004	
	M-7	August 2002		Q-5	January 2005	
	N-5	December 2002		<b>RH3-AAC</b>	K-0	November 2000
	N-6	January 2003			L-0	February 2001
	P-5	December 2003			L-5	March 2001
	P-6	October 2004			M-5	March 2002
	P-7	November 2004			M-6	July 2002
	Q-5	December 2004			M-7	August 2002
<b>RH1-AAC-HD</b>	K-0	May 2000	N-5		December 2002	
	K-1	November 2000	N-6		March 2003	
	L-0	December 2000	P-5		December 2003	
	L-5	March 2001	Q-5		January 2005	
	M-5	September 2002	<b>RH3-AAC-HD</b>		K-0	August 2000
	N-6	January 2003			N-6	July 2003
	P-5	January 2004			Q-5	February 2005
	P-6	October 2004				
Q-5	January 2005					
<b>RH2-AAC</b>	K-0	June 2000				
	L-5	February 2001				
	M-5	December 2001				
	M-6	July 2002				
	M-7	August 2002				
	N-6	January 2003				
	P-5	December 2003				
	P-6	October 2004				
	P-7	November 2004				
	Q-5	December 2004				

### Note About Ordering Parts

Most assemblies cannot be ordered as complete units; parts in the assemblies generally must be ordered separately.

**A. Reach-In**  
**RH1-AAC(-HD)**

K-0, K-1, L-0, L-5, M-5, M-6, M-7, N-5, N-6, P-5, P-6, P-7, Q-5

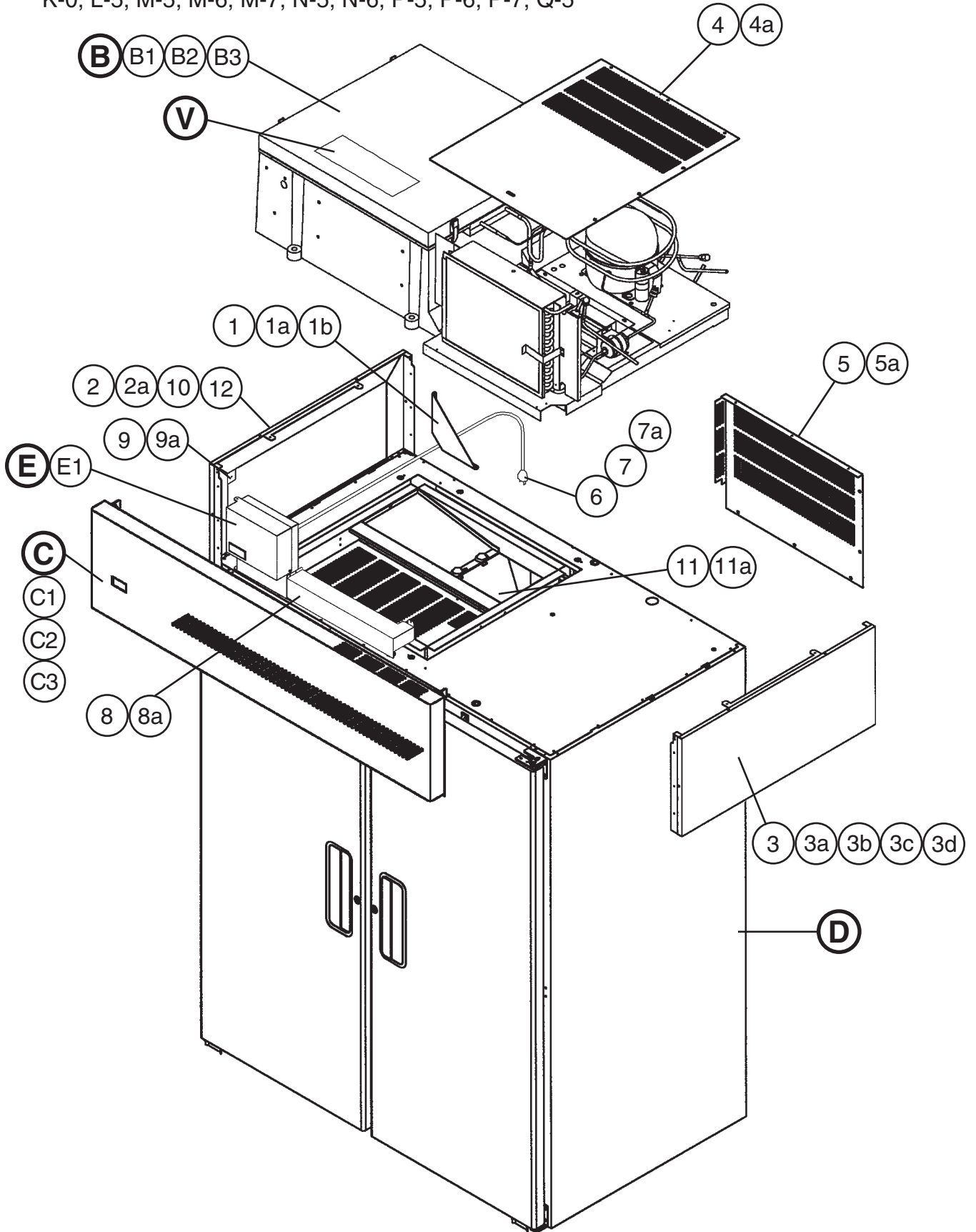


Title: **A. Reach-In** Model: **RH1-AAC(-HD)**

Index No.	Description	Material or Model Number	Part Number	Required Number									
				K-0 K-1	L-0	L-5 to N-5	N-6 to Q-5						
B	Refrigeration System	Refrigerator	1A0502A01	1	1	1	1						
B1	Bolt Assembly	8x45	437889-01	5	5	5	5						
B2	Truss Head Screw	5x25, SS	7C32-0525	2	2	2	2						
B3	Washer	5	7W22-0500	2	2	2	2						
C	Panel – Front Hinged Assembly	-	3A1670A01	1	1	1	1						
C1	Truss Head Screw	4x8, SS	7C32-0408	2	-								
	Clevis Pin	-	8907-0102		2	2	2						
C2	Cotter Pin	-	8907-0103		2	2	2						
C3	Flat Washer	-	4A0655-03		2	2	2						
D	Body – Final	<b>RH1-AAC</b>	1A0299A04	1	1	1	1						
		<b>RH1-AAC-HD</b>	1A0360A02	1	1	1	1						
E	Control Box Assembly	-	2A1842A01	1	1	1	1						
E1	T2 Screw	4x8, SS	7P32-0408	3	3	3	3						
V	Label Location	<b>RH1-AAC</b>	2A1042A07	1	1	1	1						
		<b>RH1-AAC-HD</b>	2A1042A06	1	1	1	1						
1	Gusset – Frame	GS	3A1520-01	1	1	1	-						
			4A2845-01				1						
1a	T2 Screw	4x8, SS	7P32-0408	4	4	4	4						
2	Frame-side Top	GS	2A1803-01	2	2	2	2						
2a	Truss Head Screw	5x10	7C32-0510	8	8	8	8						
3	Panel – Side, Top	AL	2A1800-21	2	2	2	2						
3a	Truss Head Screw	5x10	7C32-0510	6	2	2	2						
3b	Taper Collar	SS	4H0171-01	2	2	2	2						
3c	Countersunk Screw	5x20, SS	7C42-0520	2	2	2	2						
3d	T2 Screw	4x8, SS	7P32-0408		4	4	4						
4	UL – Cover Assy Top	-	2A1305G02	1	1	1	-						
		GS	2A2757G02				1						
4a	T2 Screw	4x8, SS	7P32-0408	5	5	5	5						
5	Cover – UL, Rear	GS	2A0956-01	1	1	1	-						
			2A2752-01				1						
5a	T2 Screw	4x8, SS	7P32-0408	4	4	4	4						
6	Power Cord	-	4A0520-01	1	1	1	1						
7	Wire Clamp	-	4A0809-02	1	1	1	1						
7a	T2 Screw	4x8, SS	7P32-0408	1	1	1	1						
8	Cover – Connector Wire	GS	3A1678-01	1	1	1	1						
8a	T2 Screw	4x8, SS	7P32-0408	2	2	2	2						
9	Cover – Wire	GS	3A1679-01	1	1	1	1						
9a	T2 Screw	4x8, SS	7P32-0408	3	3	3	3						
10	Bracket – Hinge	GS	4A2306-01	2	2	2	2						
11	Insert – Threaded	M5	4A0407-01		4	4	4						
12	Bracket – Control Box	GS	4A2467-01			1	1						

**A. Reach-In  
RH2-AAC(-HD)**

K-0, L-5, M-5, M-6, M-7, N-5, N-6, P-5, P-6, P-7, Q-5

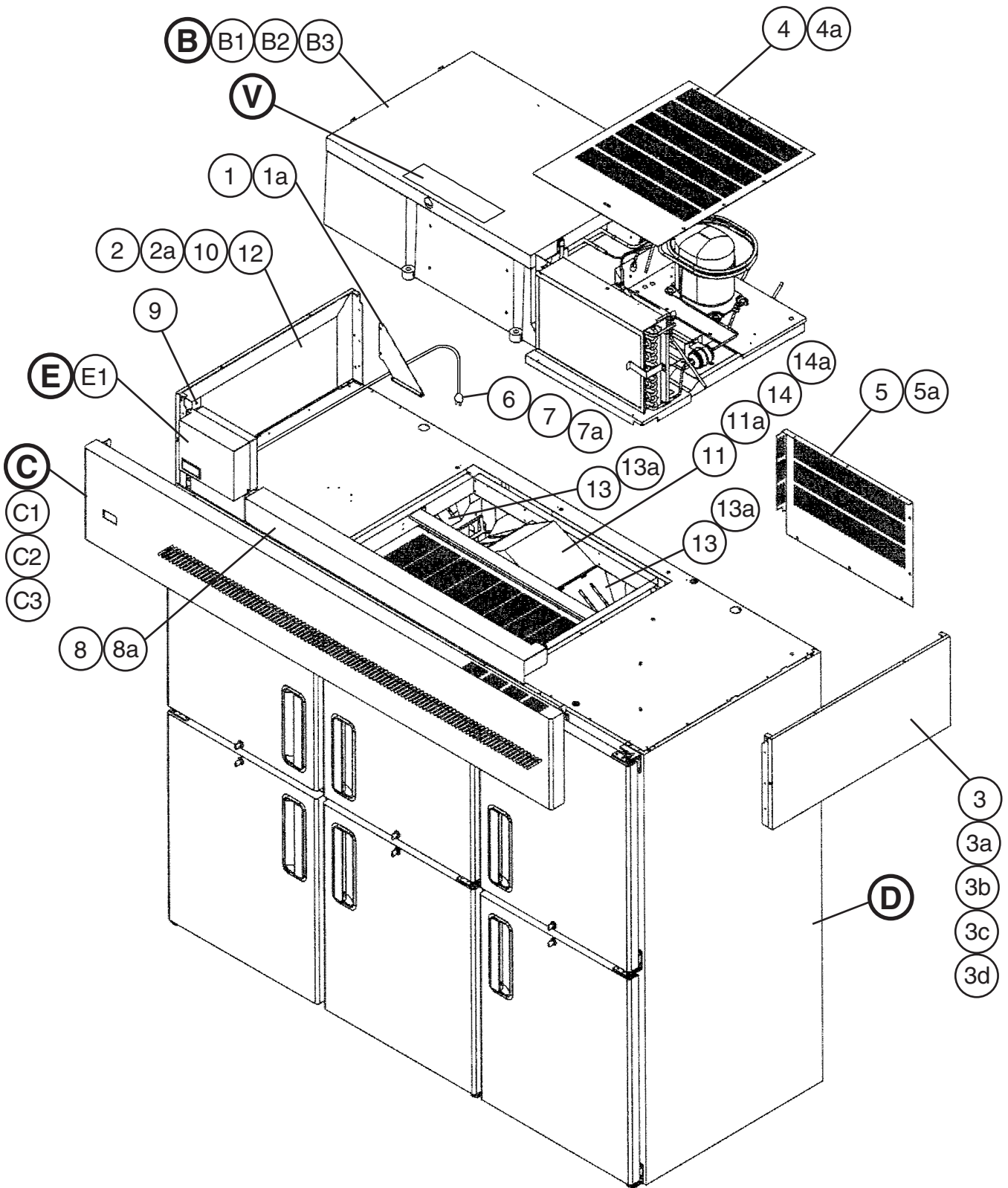


Title: **A. Reach-In** Model: **RH2-AAC(-HD)**

Index No.	Description	Material or Model Number	Part Number	Required Number								
				K-0	L-5 to N-5	N-6 to Q-5						
B	Refrigeration System	Refrigerator	1A0513A01	1	1	1						
B1	Bolt Assembly	8x45	<a href="#">437889-01</a>	6	6	6						
B2	Hex Bolt	8x70	<a href="#">7B01-0870</a>	2	2	2						
B3	Washer	8	<a href="#">7W22-0800</a>	2	2	2						
C	Panel – Front Hinged Assembly	-	<a href="#">3A1670A02</a>	1	1	1						
C1	Truss Head Screw	4x8, SS	<a href="#">7C32-0408</a>	2	-							
	Clevis Pin	-	<a href="#">8907-0102</a>		2	2						
C2	Cotter Pin	-	<a href="#">8907-0103</a>		2	2						
C3	Flat Washer	-	<a href="#">4A0655-03</a>		2	2						
D	Body – Final	<b>RH2-AAC</b>	2A1215A04	1	1	1						
		<b>RH2-AAC-HD</b>	1A0370A02	1	1	1						
E	Control Box Assembly	-	2A1842A02	1	1	1						
E1	T2 Screw	4x8, SS	<a href="#">7P32-0408</a>	4	4	4						
V	Label Location	<b>RH2-AAC</b>	3A0603G07	1	1	1						
		<b>RH2-AAC-HD</b>	3A0603G06	1	1	1						
1	Gusset – Frame	GS	<a href="#">3A1520-01</a>	1	1	-						
			<a href="#">4A2845-01</a>			1						
1a	T2 Screw	4x8, SS	<a href="#">7P32-0408</a>	2	2	4						
1b	Truss Head Screw	5x10	<a href="#">7C32-0510</a>	2	2	-						
2	Frame – Side Top	GS	<a href="#">2A1803-01</a>	2	2	2						
2a	Truss Head Screw	5x10	<a href="#">7C32-0510</a>	8	8	8						
3	Panel – Side, Top	AL	<a href="#">2A1800-21</a>	2	2	2						
3a	Truss Head Screw	5x10	<a href="#">7C32-0510</a>	6	2	2						
3b	Taper Collar	SS	<a href="#">4H0171-01</a>	2	2	2						
3c	Countersunk Screw	5x20, SS	<a href="#">7C42-0520</a>	2	2	2						
3d	T2 Screw	4x8, SS	<a href="#">7P32-0408</a>	4	4	4						
4	Top UL Cover	GS	<a href="#">2A1118-03</a>	1	1	1						
4a	T2 Screw	4x8, SS	<a href="#">7P32-0408</a>	5	5	5						
5	Rear UL Cover	GS	<a href="#">2A1117-01</a>	1	1	1						
5a	T2 Screw	4x8, SS	<a href="#">7P32-0408</a>	5	5	5						
6	Power Cord	-	<a href="#">4A0520-01</a>	1	1	1						
7	Wire Clamp		<a href="#">4A0809-03</a>	1	1	-						
			<a href="#">4A0809-02</a>			1						
7a	Truss Head Screw	5x8	<a href="#">7C32-0508</a>	1	1	-						
	T2 Screw	4x8, SS	<a href="#">7P32-0408</a>			1						
8	Cover – Wire	GS	2A1861-01	1	1	1						
8a	T2 Screw	4x8, SS	<a href="#">7P32-0408</a>	3	3	3						
9	Sleeve-hinge	-	<a href="#">4A2208-01</a>	2	-							
	Bracket – Hinge	-	<a href="#">4A2306-01</a>		2	2						
9a	Truss Head Screw	4x8, SS	<a href="#">7C32-0408</a>	2	-							
10	Insert – Threaded	M5	<a href="#">4A0407-01</a>	4	4	4						
11	Distributor – Air Top	-	<a href="#">1A0152-05</a>	1	1	1						
11a	T2 Screw	4x8, SS	<a href="#">7P32-0408</a>	7	7	7						
12	Bracket – Control Box	GS	<a href="#">4A2467-01</a>		1	1						

**A. Reach-In  
RH3-AAC(-HD)**

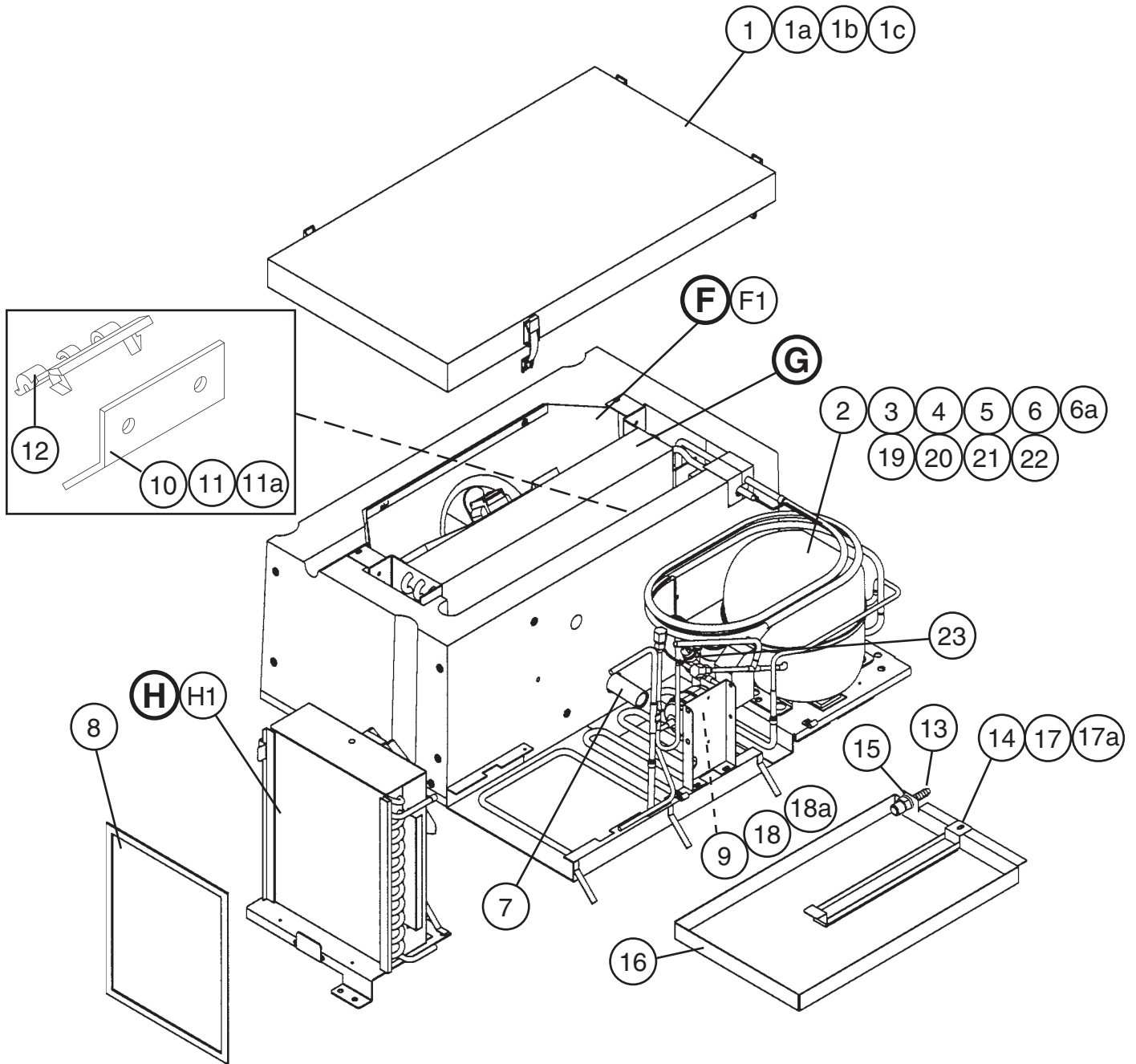
K-0, L-0, L-5, M-5, M-6, M-7, N-5, N-6, P-5, Q-5



Title: <b>A. Reach-In</b> Model: <b>RH3-AAC(-HD)</b>												
Index No.	Description	Material or Model Number	Part Number	Required Number								
				K-0 L-0	L-5 M-5	M-6 to N-5	N-6 to Q-5					
B	Refrigeration System	Refrigerator	1A0519A01	1	1	1	1					
B1	Bolt Assembly	8x45	437889-01	6	6	6	6					
B2	Hex Bolt	8x70	7B01-0870	2	2	2	2					
B3	Washer	8	7W21-0800	2	2	2	2					
C	Panel – Front Hinged Assembly	-	3A1670A03	1	1	1	1					
C1	Clevis Pin	-	8907-0102	2	2	2	2					
C2	Cotter Pin	-	8907-0103	2	2	2	2					
C3	Flat Washer	-	4A0655-03	2	2	2	2					
D	Body – Final	RH3-AAC	2A1133A04	1	1	1	1					
		RH3-AAC-HD	2A1400A02	1	1	1	1					
E	Control Box Assembly	-	2A1842A04	1	1	1	1					
E1	T2 Screw	4x8, SS	7P32-0408	4	4	4	4					
V	Label Location	RH3-AAC	3A1059G07	1	1	1	1					
		RH3-AAC-HD	3A1059G06	1	1	1	1					
1	Gusset – Frame	GS	3A1520-01	1	1	1	-					
			4A2845-01				1					
1a	T2 Screw	4x8, SS	7P32-0408	4	4	4	4					
2	Frame – Side Top	GS	2A1803-01	2	2	2	2					
2a	Truss Head Screw	5x10, SS	7C32-0510	8	8	8	8					
3	Panel – Side, Top	AL	2A1800-21	2	2	2	2					
3a	Truss Head Screw	5x10, SS	7C32-0510	2	2	2	2					
3b	Taper Collar	SS	4H0171-01	2	2	2	2					
3c	Countersunk Screw	5x20, SS	7C42-0520	2	2	2	2					
3d	T2 Screw	4x8, SS	7P32-0408	4	4	4	4					
4	Top UL Cover	GS	2A1118-03	1	1	-						
	UL Cover – Assembly Top	-	2A2376G01			1	1					
4a	T2 Screw	4x8, SS	7P32-0408	7	7	7	7					
5	Rear UL Cover	GS	2A1117-01	1	1	1	1					
5a	T2 Screw	4x8, SS	7P32-0408	7	7	7	7					
6	Power Cord	-	4A0520-01	1	1	1	1					
7	Wire Clamp	-	4A0809-02	1	1	1	1					
7a	T2 Screw	4x8, SS	7P32-0408	1	1	1	1					
8	Cover-wire	GS	2A1910-01	1	1	1	1					
8a	T2 Screw	4x8, SS	7P32-0408	3	3	3	3					
9	Bracket – Hinge	-	4A2306-01	2	2	2	2					
10	Insert – Threaded	M5	4A0407-01	4	4	4	4					
11	Diverter – Air	-	2A1855-01	1	1	1	1					
11a	T2 Screw	4x8, SS	7P32-0408	2	2	2	2					
12	Bracket – Control Box	GS	4A2467-01		1	1	1					
13	Distributor – Air Top	-	1A0152-05	2	2	2	2					
13a	T2 Screw	4x8, SS	7P32-0408	14	14	14	14					
14	Taper Collar		4H0171-01	2	2	2	2					
14a	Countersunk Screw	5x20, SS	7C42-0520	2	2	2	2					

## B. Refrigeration System RH1-AAC(-HD)

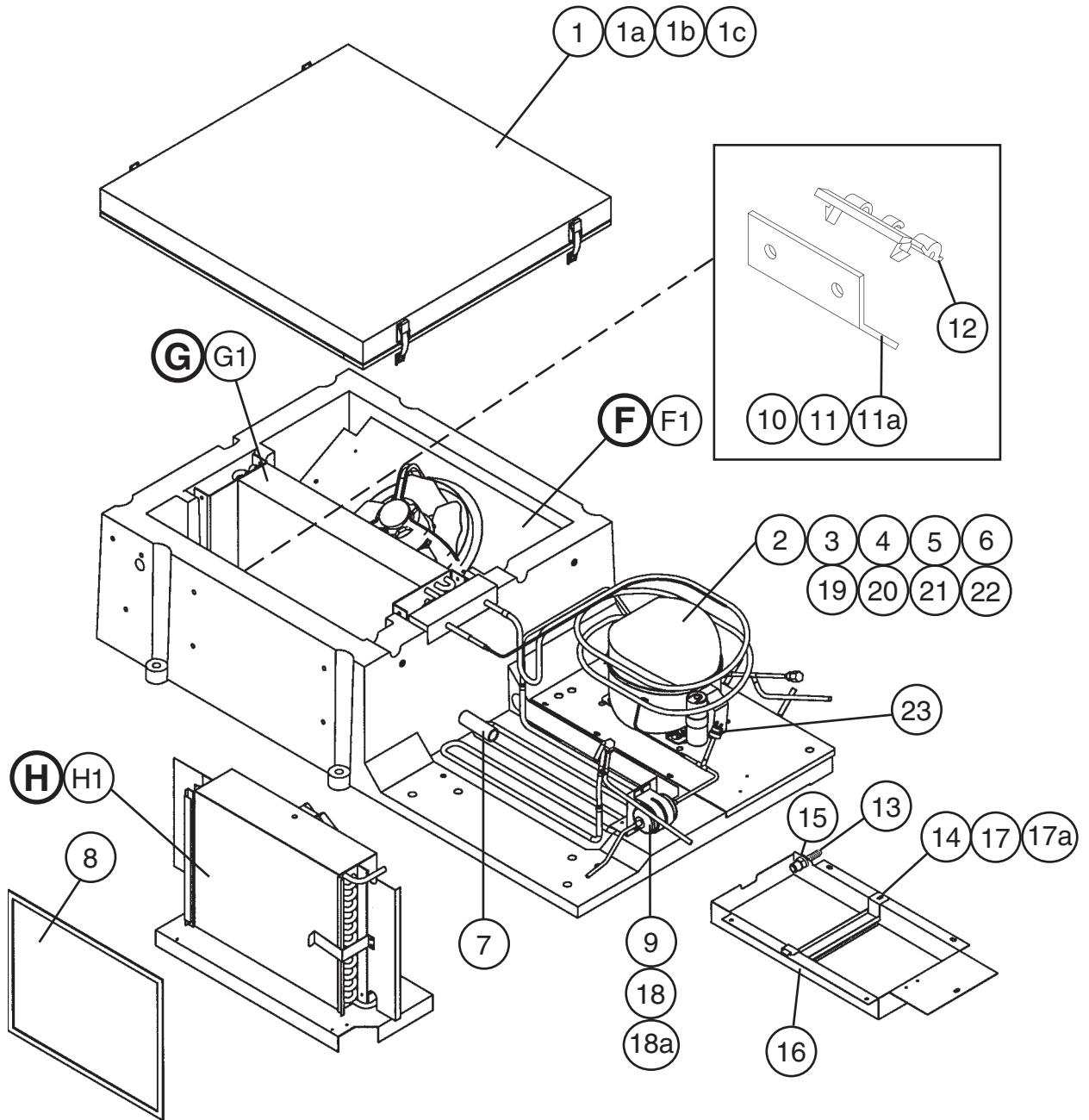
K-0, K-1, L-0, L-5, M-5, M-6, M-7, N-5, N-6, P-5, P-6, P-7, Q-5



Title: <b>B. Refrigeration System</b> Model: <b>RH1-AAC(-HD)</b>												
Index No.	Description	Material or Model Number	Part Number	Required Number								
				K-0 K-1	L-0	L-5 to N-5	N-6 P-5	P-6 to Q-5				
F	Fan – Evap Assembly	-	2A0980A01	1	1	1	1	1				
F1	Truss Head Screw	4x12, SS	7C32-0412	4	4	4	4	4				
G	Evaporator Assembly	-	2A1808A01	1	1	1	1	1				
H	Condenser Assembly	-	3A1087A02	1	1	1	-					
			3A2609A02				1	1				
H1	T2 Screw	4x8, SS	7P32-0408	2	2	2	2	2				
1	Cover – Evap Case (1 Sec)	-	2A0428G01	1	1	1	-					
			2A2726G01				1	1				
1a	Draw Latch	97-50-224-11	4A1710-01	4	4	4	4	4				
1b	Truss Head Screw	4x16, SS	7C32-0416	4	4	4	4	4				
1c	T2 Screw	4x8, SS	7P32-0408	8	8	8	8	8				
2	Compressor	105G5724 NF7FX	4A2133-01	1	1	1	1	1				
3	Rubber Grommet	-	4A1452-01	4	-							
	Grommet		434403-01		4	4	4	4				
4	Sleeve	-	4A1451-01	4	-							
	Spacer		434404-01		4	4	4	4				
5	Washer	-	4A1450-01	4	-							
	Flat Washer		7W21-0800		4	4	4	4				
6	Bolt	-	4A1459-01	4	-							
			7B01-0845		4	4	4	4				
6a	Split Lock Washer	-	7L21-0800		4	4	-					
7	Pipe – Evap Drain	PVC	4A0831-01	1	1	1	1	1				
8	Filter – Cond	-	3A0277-01	1	1	1	1	1				
9	Drier	SPORLAN CW-052-S	4A0924-01	1	1	1	1	1				
10	Thermistor – Cabinet	Thermistor is included w/ controller. (Assembly E) Thermistor is not replaceable as a standalone part.		-	-	-	-	-				
11	Thermistor Bracket (A)	ABS	433964-01	1	1	1	1	1				
11a	Truss Head Screw	4x16, SS	7C32-0416	2	2	2	2	2				
12	Thermistor Bracket (B)	ABS	433920-01	1	1	1	1	1				
13	Fitting – Drain Overflow	-	4A2182-01	1	1	1	1	1				
14	Gasket – Cond. Coil		4A0455-03	1	1	1	1	1				
15	Rubber Gasket		413854-03	1	1	1	1	1				
16	Pan – Evap. Drain		2A0616-02	1	1	1	-					
			2A2760-01				1	1				
17	Strap – Condensate Coil	(3A0381A03)	3A0232-03	1	1	1	1	1				
17a	Truss Head Screw	5x12, SS	7C32-0512	2	2	2	1	1				
18	Drier Bracket	-	4A0806-01	1	1	1	1	1				
18a	T2 Screw	4x8, SS	7P32-0408	2	2	2	2	2				
19	Start Capacitor		4A2134-01	1	1	1	1	1				
20	Start Relay		4A2135-01	1	1	1	1	1				
21	Cover – Compressor		4A2141-01	1	1	1	1	1				
22	Cord Relief		4A2152-01	1	1	1	1	1				
23	Pressure Switch		4A2516-01	1	1	1	1	1				

## B. Refrigeration System RH2-AAC(-HD)

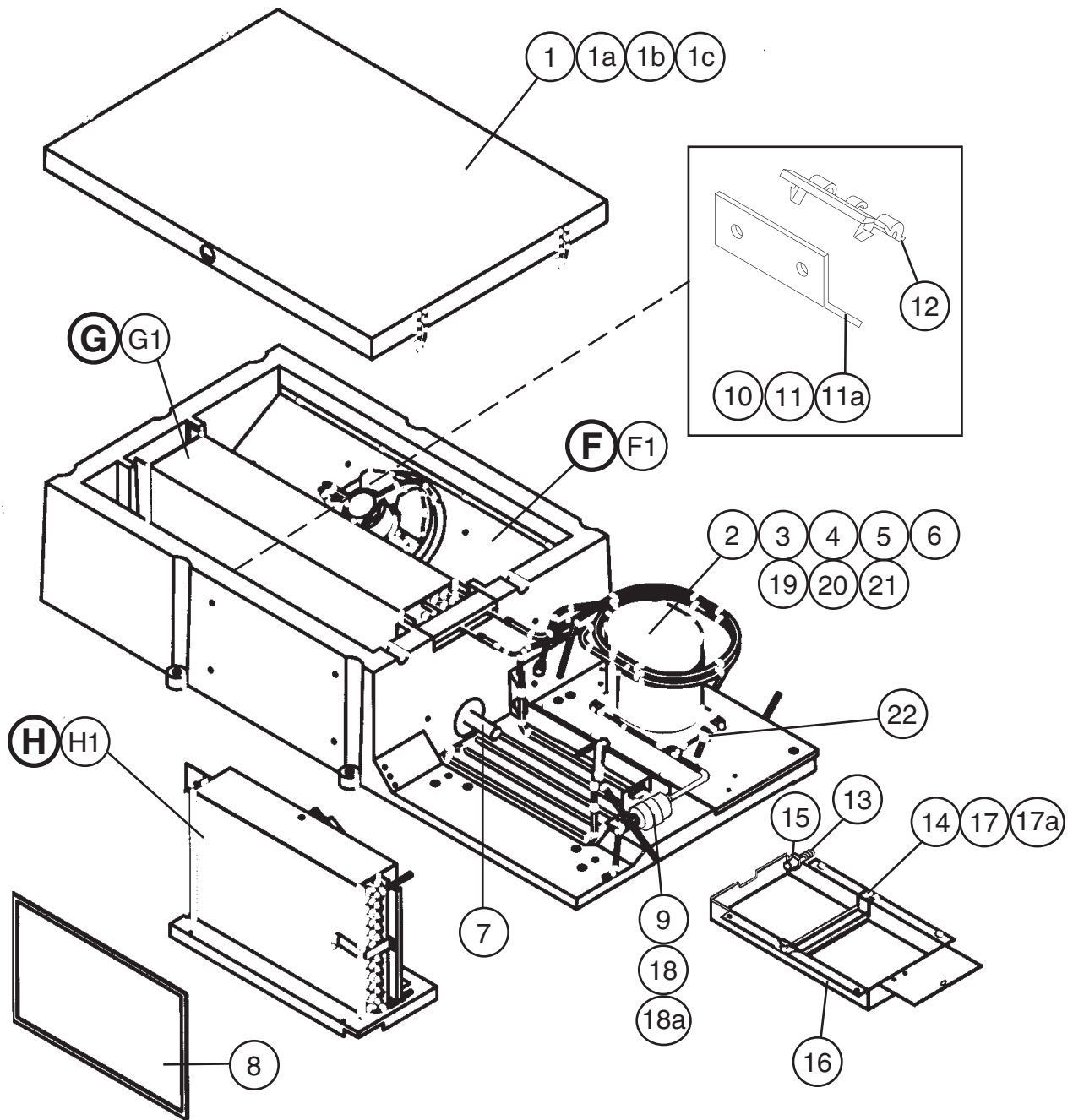
K-0, L-5, M-5, M-6, M-7, N-5, N-6, P-5, P-6, P-7, Q-5



Title: <b>B. Refrigeration System</b> Model: <b>RH2-AAC(-HD)</b>										
Index No.	Description	Material or Model Number	Part Number	Required Number						
				K-0	L-5 to P-5	P-6 to Q-5				
F	Evaporator Shroud Assembly	-	3A0263G01	1	1	1				
F1	Truss Head Screw	4x16	7C32-0416	2	2	2				
G	Evaporator Assembly	-	2A1297A03	1	1	1				
G1	T2 Screw	4x8, SS	7P32-0408	2	2	2				
H	Condenser Assembly	-	3A1138A01	1	1	1				
H1	T2 Screw	4x8, SS	7P32-0408	4	4	4				
1	Cover – Evap Case	-	2A0245G01	1	1	1				
1a	Draw Latch	97-50-224-11	4A1710-01	4	4	4				
1b	Truss Head Screw	4x16, SS	7C32-0416	4	4	4				
1c	T2 Screw	4x8, SS	7P32-0408	8	8	8				
2	Compressor	105G5945 NF11FX	4A2131-01	1	1	1				
3	Rubber Grommet	-	4A1452-01	4	-					
			434403-01		4	4				
4	Sleeve	-	4A1451-01	4	-					
			434404-01		4	4				
5	Washer	-	4A1450-01	4	-					
			7W21-0800		4	4				
6	Bolt	-	4A1459-01	4	-					
			7B01-0845		4	4				
7	Pipe – Evap Drain	PVC	3A0143-01	1	1	1				
8	Filter – Condenser	-	3A0277-02	1	1	1				
9	Drier	SPORLAN CW-052-S	4A0924-01	1	1	1				
10	Thermistor – Cabinet	Thermistor is included w/ controller. (Assembly E) Thermistor is not replaceable as a standalone part.		-	-	-				
11	Thermistor Bracket (A)	ABS	433964-01	1	1	1				
11a	Truss Head Screw	4x16, SS	7C32-0416	2	2	2				
12	Thermistor Bracket (B)	ABS	433920-01	1	1	1				
13	Fitting – Drain Overflow		4A2182-01	1	1	1				
14	Gasket – Cond. Coil		4A0455-01	1	1	1				
15	Rubber Gasket		413854-03	1	1	1				
16	Pan – Evaporator Drain		2A0200-02	1	1	1				
17	Strap – Condensate Coil		3A0413-03	1	1	1				
17a	Truss Head Screw	5x10, SS	7C32-0510	1	1	1				
18	Drier Bracket	-	4A0806-01	1	1	1				
18a	T2 Screw	-	7P32-0408	2	2	2				
19	Start Capacitor		4A2134-02	1	1	1				
20	Start Relay		4A2135-02	1	1	1				
21	Cover – Compressor		4A2141-01	1	1	1				
22	Cord Relief		4A2152-01	1	1	1				
23	Pressure Switch		4A2516-01	1	1	1				

## B. Refrigeration System RH3-AAC(-HD)

K-0, L-0, L-5, M-5, M-6, M-7, N-5, N-6, P-5, Q-5

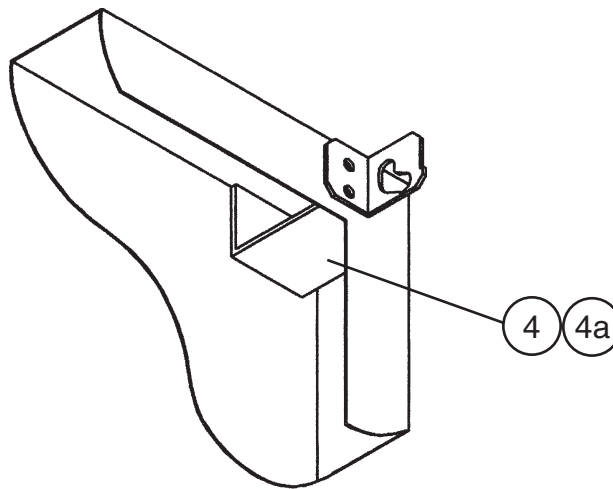
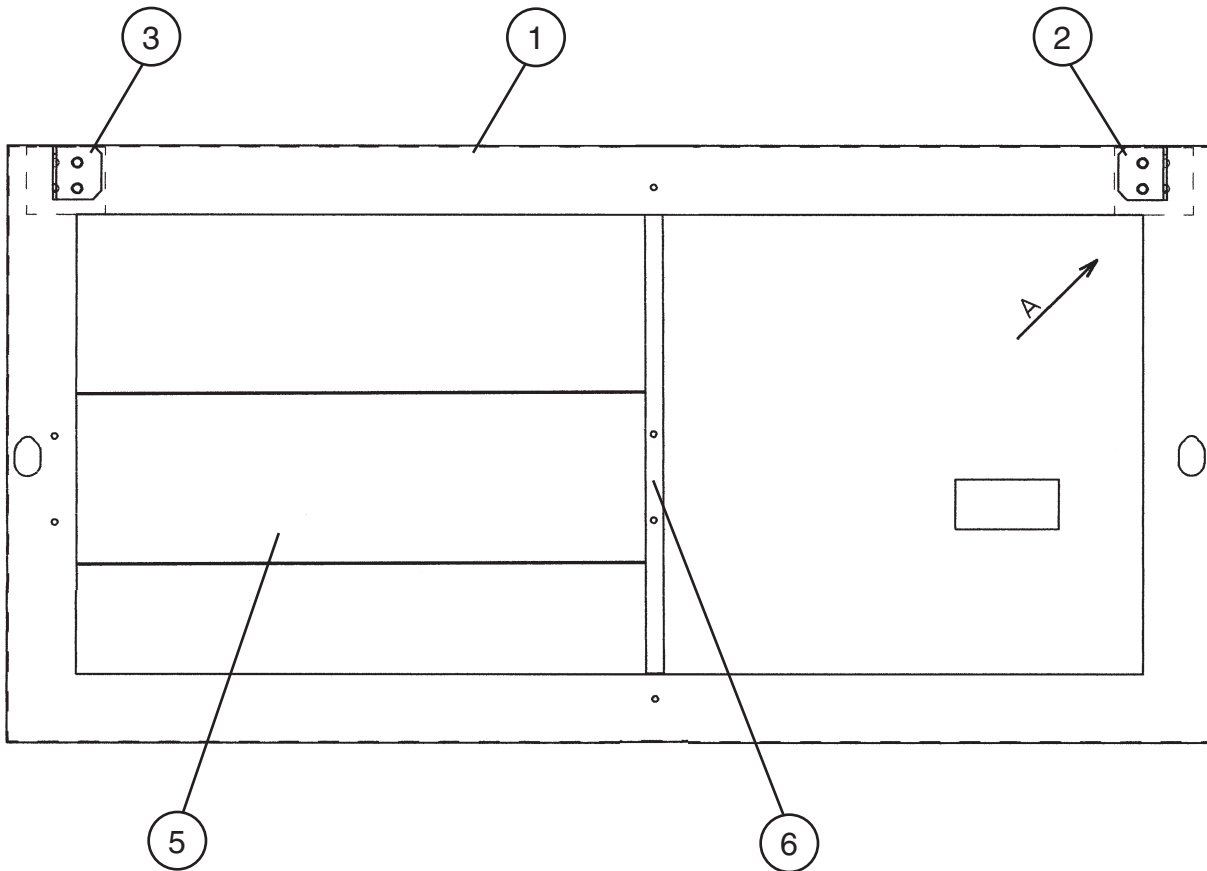


Title: <b>B. Refrigeration System</b> Model: <b>RH3-AAC(-HD)</b>											
Index No.	Description	Material or Model Number	Part Number	Required Number							
				K-0 to P-5	Q-5						
F	Evap Shroud Assm	-	3A1009G01	1	1						
F1	Truss Head Screw	4x16, SS	<a href="#">7C32-0416</a>	2	2						
G	Evaporator Assembly	-	2A1160A02	1	1						
G1	T2 Screw	4x8, SS	<a href="#">7P32-0408</a>	2	2						
H	Condenser Assembly	-	3A1010A02	1	1						
H1	T2 Screw	4x8, SS	<a href="#">7P32-0408</a>	4	4						
1	Cover – Evap Case	-	<a href="#">2A1086G01</a>	1	1						
1a	Draw Latch	97-50-224-11	<a href="#">4A1710-01</a>	4	4						
1b	Truss Head Screw	4x16, SS	<a href="#">7C32-0416</a>	4	4						
1c	T2 Screw	4x8, SS	<a href="#">7P32-0408</a>	8	8						
2	Compressor	-	<a href="#">3A1730-01</a>	1	1						
3	Grommet	-	<a href="#">434403-01</a>	4	4						
4	Spacer	-	<a href="#">434404-01</a>	4	4						
5	Flat Washer	-	<a href="#">7W21-0800</a>	4	4						
6	Hex Bolt	-	<a href="#">7B01-0845</a>	4	4						
7	Pipe – Evap Drain	PVC	<a href="#">3A0143-01</a>	1	1						
8	Filter – Condenser	-	<a href="#">3A0277-03</a>	1	1						
9	Drier	SPORLAN CW-052-S	<a href="#">4A0924-01</a>	1	1						
10	Thermistor – Cabinet	Thermistor is included w/ controller. (Assembly E) Thermistor is not replaceable as a standalone part.		-	-						
11	Thermistor Bracket (A)	ABS	<a href="#">433964-01</a>	1	1						
11a	Truss Head Screw	4x16, SS	<a href="#">7C32-0416</a>	2	2						
12	Thermistor Bracket (B)	ABS	<a href="#">433920-01</a>	1	1						
13	Fitting – Drain Overflow		<a href="#">4A2182-01</a>	1	1						
14	Gasket – Cond. Coil		<a href="#">4A0455-01</a>	1	1						
15	Rubber Gasket		<a href="#">413854-03</a>	1	1						
16	Pan – Evaporator Drain		<a href="#">2A0200-02</a>	1	1						
17	Strap – Condensate Coil		<a href="#">3A0413-03</a>	1	1						
17a	Truss Head Screw	5x10, SS	<a href="#">7C32-0510</a>	1	1						
18	Drier Bracket	-	<a href="#">4A0806-01</a>	1	1						
18a	T2 Screw	4x8, SS	<a href="#">7P32-0408</a>	2	2						
19	Protector	Supplied w/ compressor	<a href="#">4A1875-01</a>	1	1						
20	Protector Holder	26126	Supplied w/ compressor	1	1						
21	Protector Cover Group	AKP1000		1	1						
22	Pressure Switch		<a href="#">4A2516-01</a>	1	1						

**C. Panel-Front Hinged Assembly**

**RH1-AAC(-HD), RH2-AAC(-HD), RH3-AAC(-HD)**

K-0, K-1, L-0, L-5, M-5, M-6, M-7, N-5, N-6, P-5, P-6, P-7, Q-5

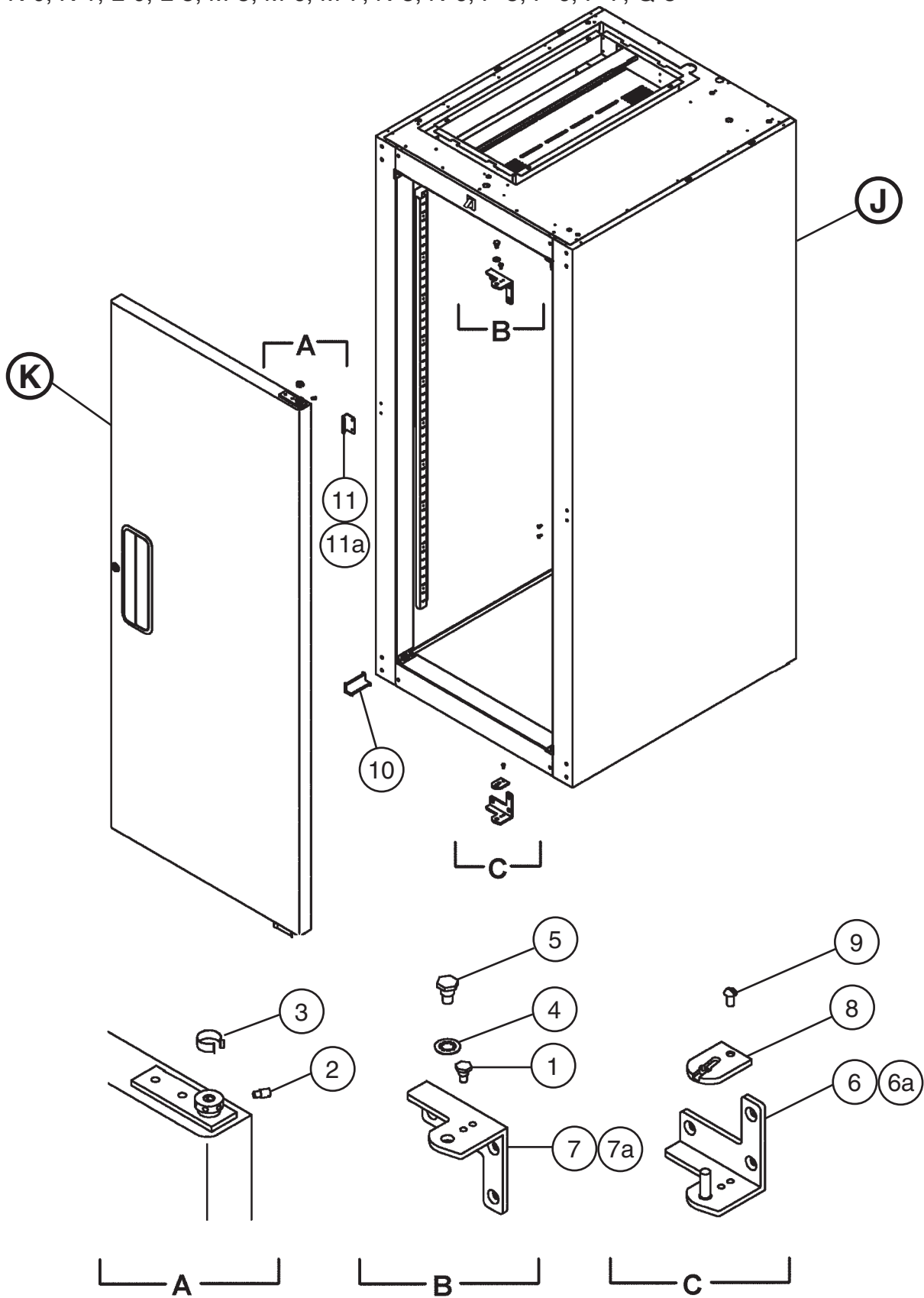


VIEW "A"

Title: <b>C. Panel-Front Hinged Assembly</b> Model: <b>RH1-AAC(-HD), RH2-AAC(-HD), RH3-AAC(-HD)</b>											
Index No.	Description	Material or Model Number	Part Number	Required Number							
				K-0 K-1	L-0 to Q-5						
1	Panel – Front Hinged	<b>RH1-AAC(-HD)</b> SS	2A1799-01	1	1						
		<b>RH2-AAC(-HD)</b> SS	2A1799-02	1	1						
		<b>RH3-AAC(-HD)</b> SS	2A1799-03	1	1						
2	Hinge – Front Panel(L)	GS	4A2153-01	1	1						
3	Hinge – Front Panel(R)	GS	4A2154-01	1	1						
4	Channel – Hinge	GS	4A2170-01	2	2						
4a	Truss Head Screw	5x8, SS	7C32-0508	4	4						
5	Blind	<b>RH1-AAC(-HD)</b>	3A1763-01		1						
		<b>RH2-AAC(-HD)</b>	3A1763-02		1						
		<b>RH3-AAC(-HD)</b>	3A1763-03	1	1						
6	Support – Blind	<b>RH1-AAC(-HD)</b> <b>RH2-AAC(-HD)</b>	4A2267-01		1						
		<b>RH3-AAC(-HD)</b>		1	1						

# D. Body-Final RH1-AAC

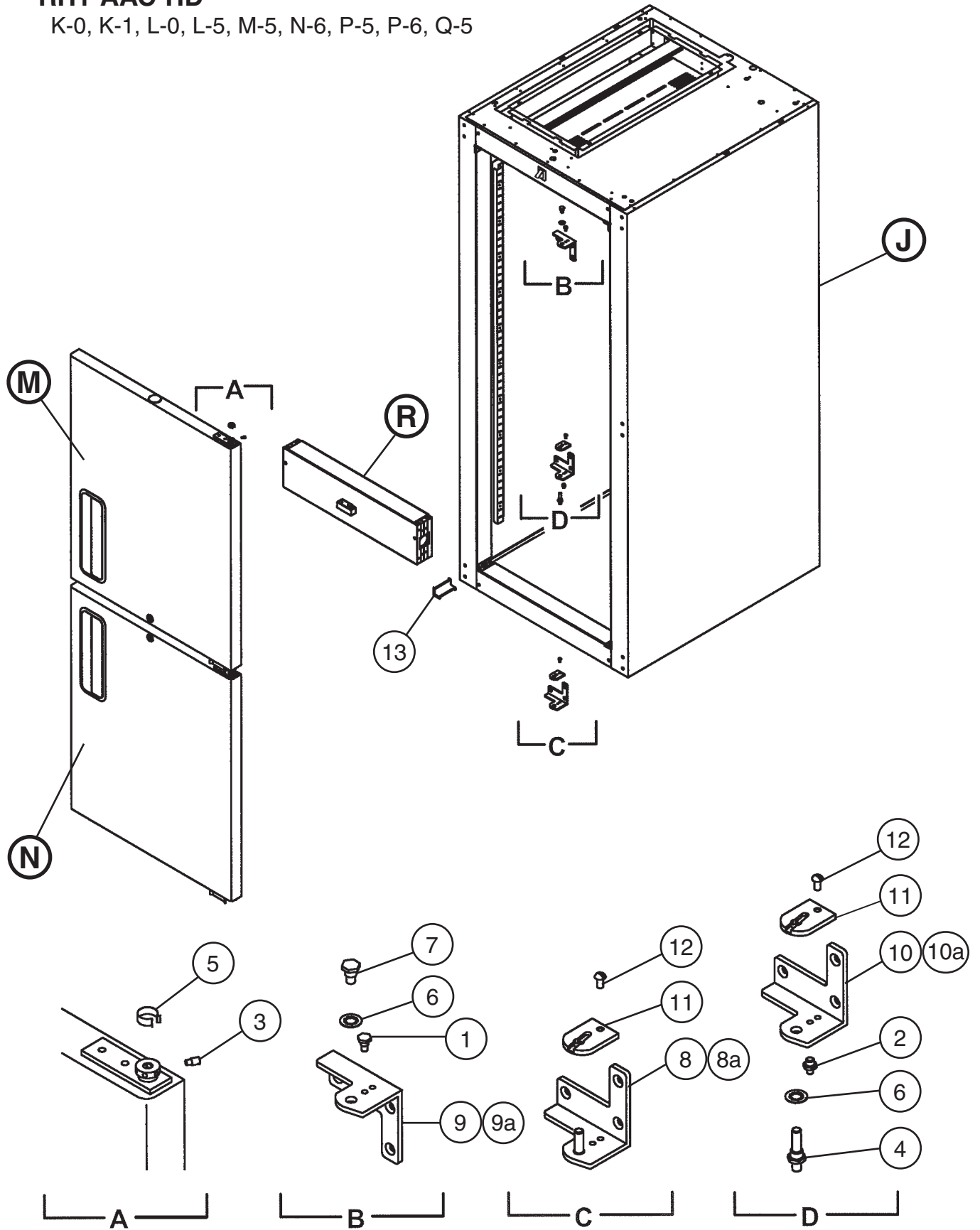
K-0, K-1, L-0, L-5, M-5, M-6, M-7, N-5, N-6, P-5, P-6, P-7, Q-5



Title: <b>D. Body-Final</b> Model: <b>RH1-AAC</b>											
Index No.	Description	Material or Model Number	Part Number	Required Number							
				K-0	K-1 to Q-5						
J	Body – Prefinal	-	1A0298A03	1	1						
K	Door – Right	-	1A0318A03	1	1						
1	Hinge – Stop Pin	PS	<a href="#">4A2180-01</a>	1	1						
2	Hinge – Tension Screw	PS	<a href="#">4A0446-01</a>	1	1						
3	Hinge – Bushing Cover	SS	<a href="#">4A0445-01</a>	1	1						
4	Hinge – Lock Washer	PS	<a href="#">4A0553-01</a>	1	1						
5	Hinge – Pivot Pin (Top)	PS	<a href="#">4A2179-01</a>	1	1						
6	Bracket – Door Hinge (LR)	PS	<a href="#">3A1626-01</a>	1	1						
6a	Countersunk Screw	5x20, SS	<a href="#">7C42-0520</a>	3	3						
7	Bracket – Door Hinge (UR)	PS	<a href="#">3A1580-01</a>	1	1						
7a	Countersunk Screw	5x20, SS	<a href="#">7C42-0520</a>	3	3						
8	Hinge – Stop Plate (R)	PS	<a href="#">4A0441-01</a>	1	1						
9	Screw – Stop Plate	PS	<a href="#">4A0483-01</a>	1	1						
10	Cover – Corner	ABS	<a href="#">3A0221-01</a>	4	-						
		-	<a href="#">3A1751-01</a>		4						
11	Plate – Strike (Side)	SS	<a href="#">4A0470-01</a>	1	1						
11a	T2 Screw	4x8, SS	<a href="#">7P32-0408</a>	2	2						

**D. Body-Final**  
**RH1-AAC-HD**

K-0, K-1, L-0, L-5, M-5, N-6, P-5, P-6, Q-5

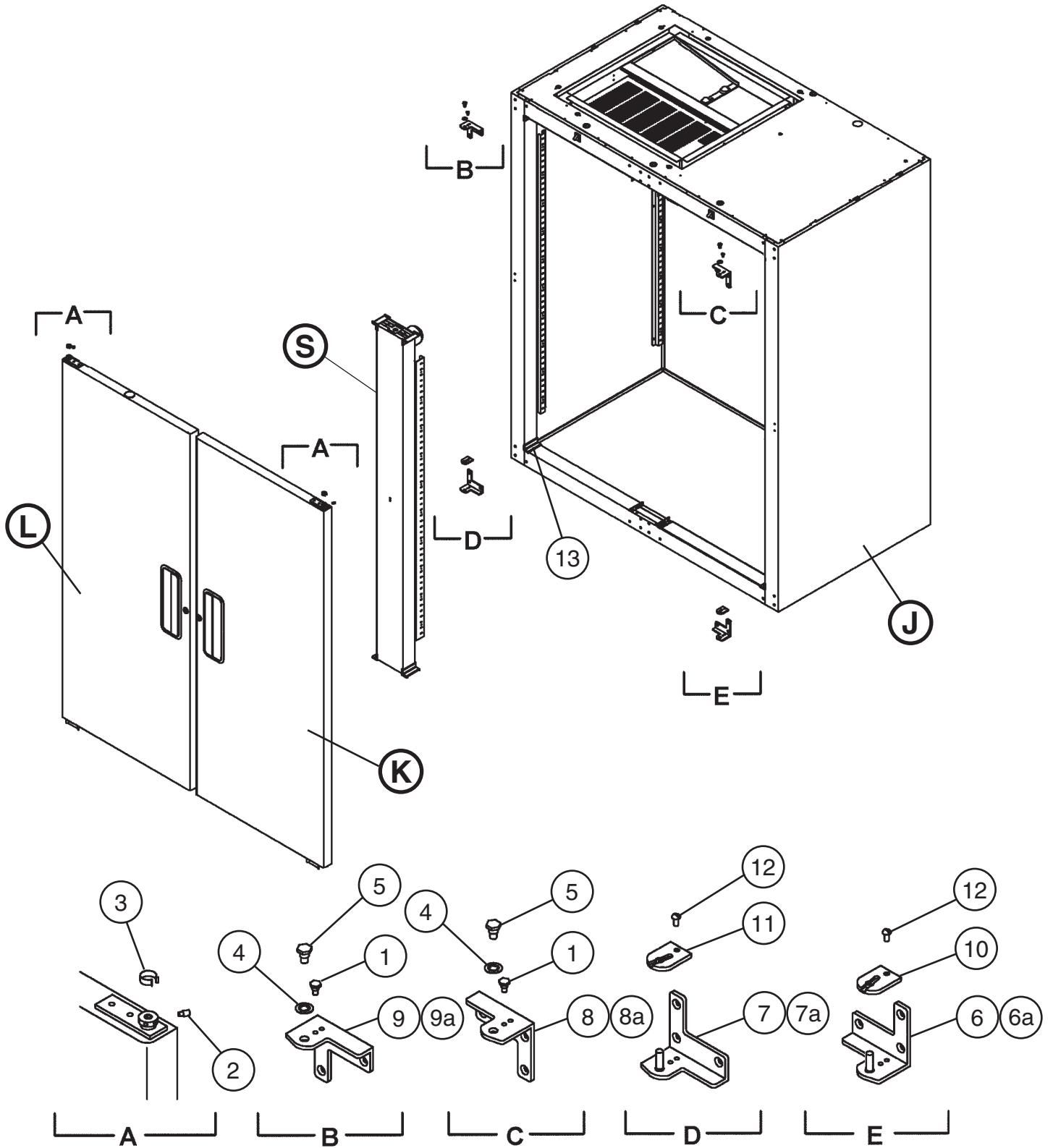


Title: <b>D. Body-Final</b> Model: <b>RH1-AAC-HD</b>											
Index No.	Description	Material or Model Number	Part Number	Required Number							
				K-0	K-1 to Q-5						
J	Body – Prefinal	-	1A0354A02	1	1						
M	Door – Half (UR)	-	1A0326A03	1	1						
N	Door – Half (LR)	-	1A0324A03	1	1						
R	Mullion – Horizontal	-	2A1323A02	1	1						
1	Hinge – Stop Pin	PS	4A2180-01	1	1						
2	Stop Pin	PS	4A1734-01	1	1						
3	Hinge – Tension Screw	SS	4A0446-01	2	2						
4	Pivot Pin	PS	4A1735-01	1	1						
5	Hinge – Bushing Cover	PS	4A0445-01	2	2						
6	Hinge – Lock Washer	PS	4A0553-01	2	2						
7	Hinge – Pivot Pin (Top)	PS	4A2179-01	1	1						
8	Bracket – Door Hinge (LR)	PS	3A1626-01	1	1						
8a	Countersunk Screw	5x20, SS	7C42-0520	3	3						
9	Bracket – Door Hinge (UR)	PS	3A1580-01	1	1						
9a	Countersunk Screw	5x20, SS	7C42-0520	3	3						
10	Bracket – Door Hinge (UL)	PS	3A1581-01	1	1						
10a	Countersunk Screw	5x20, SS	7C42-0520	3	3						
11	Hinge – Stop Plate (R)	PS	4A0441-01	2	2						
12	Screw – Stop Plate	PS	4A0483-01	2	2						
13	Cover – Corner	ABS	3A0221-01	4	-						
		-	3A1751-01		4						

# D. Body-Final

## RH2-AAC

K-0, L-5, M-5, M-6, M-7, N-6, P-5, P-6, P-7, Q-5

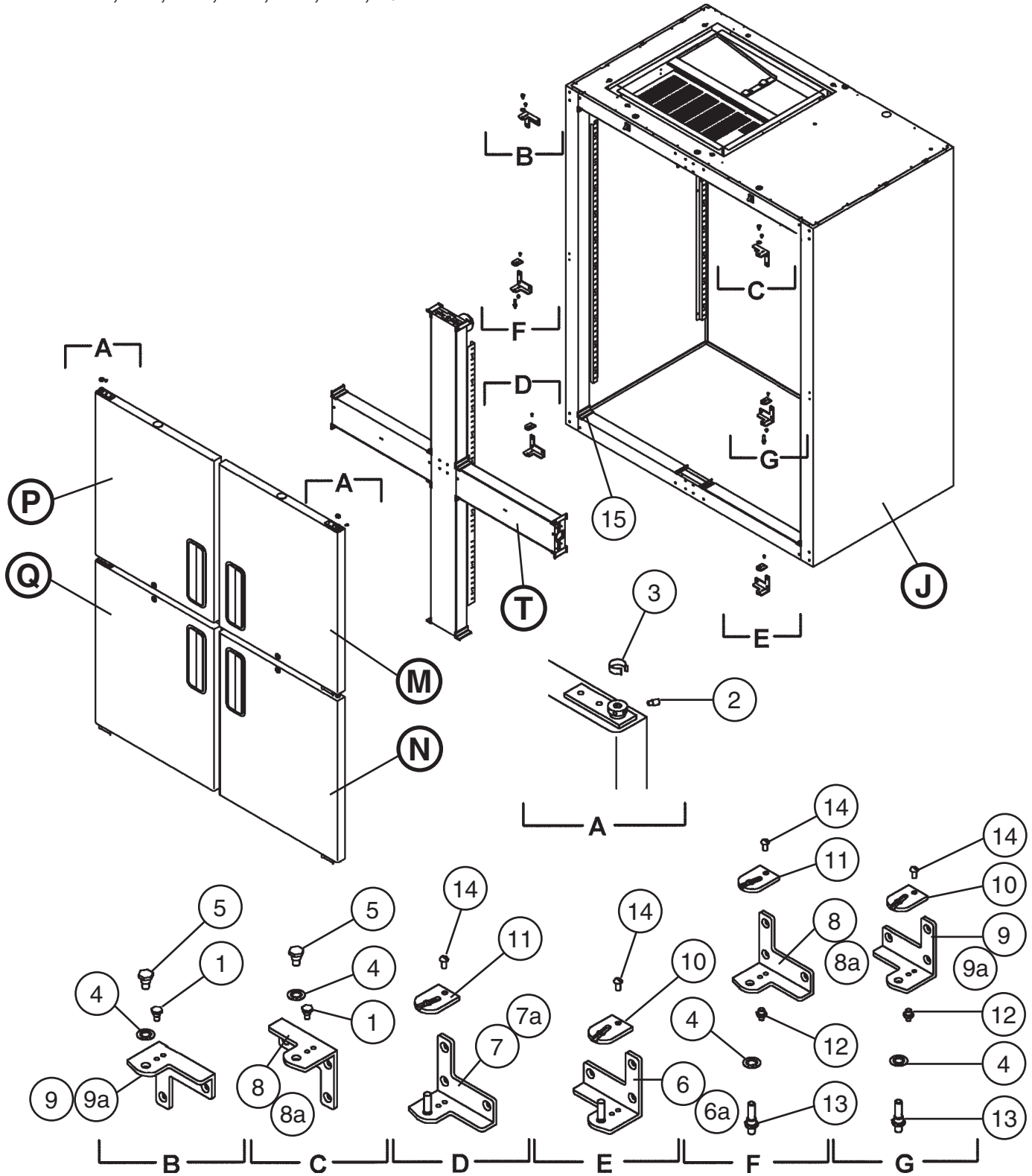


Title: **D. Body-Final** Model: **RH2-AAC**

Index No.	Description	Material or Model Number	Part Number	Required Number									
				K-0	L-5 to Q-5								
J	Body – Prefinal	-	2A1207A04	1	1								
K	Door – Right	-	1A0318A03	1	1								
L	Door – Left	-	1A0318A04	1	1								
S	Mullion – Vertical	-	2A1289A03	1	1								
1	Hinge – Stop Pin	PS	4A2180-01	2	2								
2	Hinge – Tension Screw	PS	4A0446-01	2	2								
3	Hinge – Bushing Cover	SS	4A0445-01	2	2								
4	Hinge – Lock Washer	PS	4A0553-01	2	2								
5	Hinge – Pivot Pin(Top)	PS	4A2179-01	2	2								
6	Bracket – Door Hinge(LR)	PS	3A1626-01	1	1								
6a	Countersunk Screw	5x20, SS	7C42-0520	3	3								
7	Bracket – Door Hinge(LL)	PS	3A1627-01	1	1								
7a	Countersunk Screw	5x20, SS	7C42-0520	3	3								
8	Bracket – Door Hinge(JR)	PS	3A1580-01	1	1								
8a	Countersunk Screw	5x20, SS	7C42-0520	3	3								
9	Bracket – Door Hinge(UL)	PS	3A1581-01	1	1								
9a	Countersunk Screw	5x20, SS	7C42-0520	3	3								
10	Hinge – Stop Plate(R)	PS	4A0441-01	1	1								
11	Hinge – Stop Plate(L)	PS	4A0441-02	1	1								
12	Screw – Stop Plate	PS	4A0483-01	2	2								
13	Cover – Corner	ABS	3A0221-01	8	-								
		-	3A1751-01		8								

**D. Body-Final**  
**RH2-AAC-HD**

K-0, L-5, N-5, N-6, P-5, P-6, Q-5

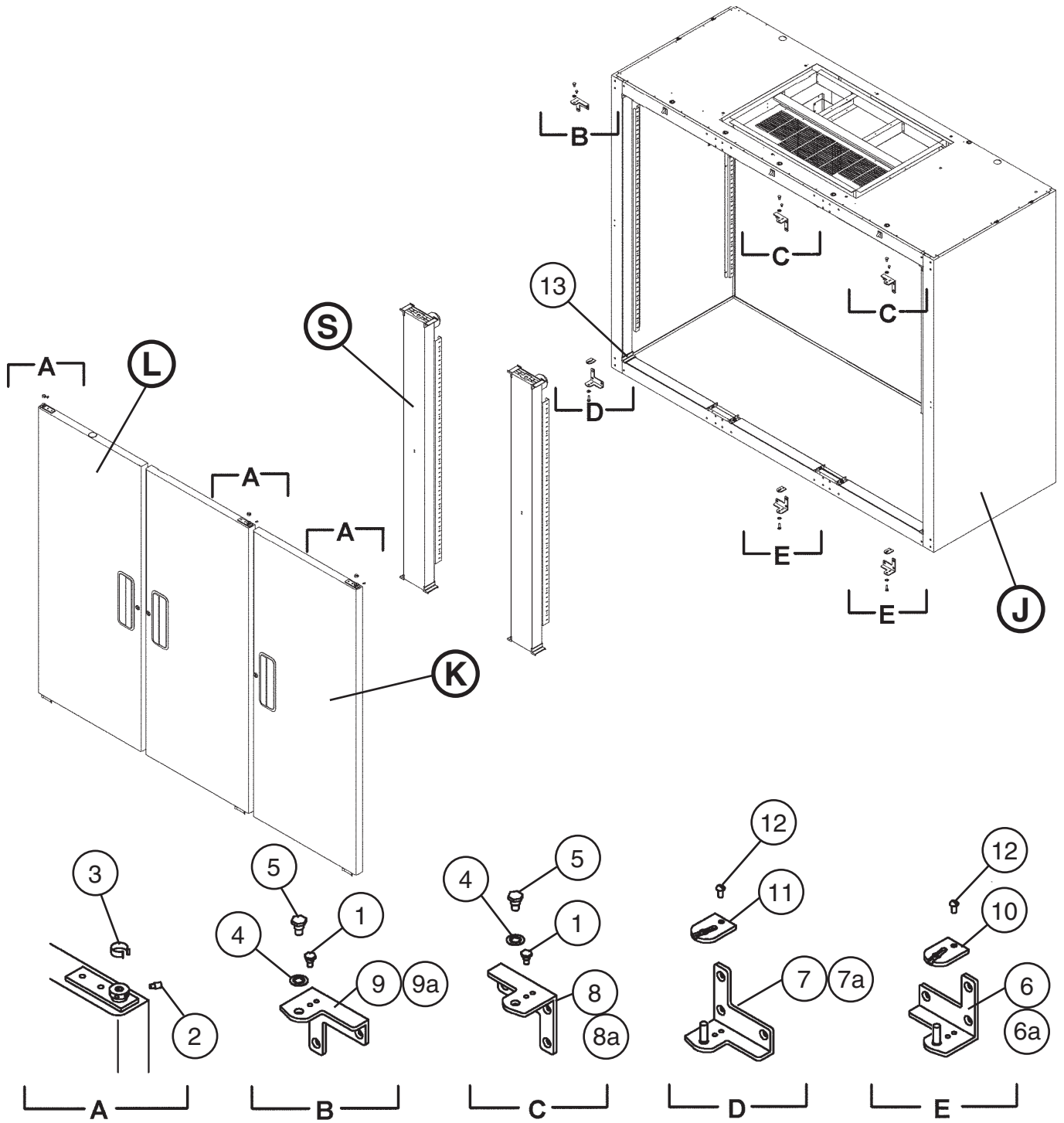


Title: **D. Body-Final** Model: **RH2-AAC-HD**

Index No.	Description	Material or Model Number	Part Number	Required Number									
				K-0	L-5 to Q-5								
J	Body – Prefinal	-	2A1347A02	1	1								
M	Door – Half (UR)	-	<a href="#">1A0326A03</a>	1	1								
N	Door – Half (LR)	-	<a href="#">1A0324A03</a>	1	1								
P	Door – Half (UL)	-	<a href="#">1A0324A04</a>	1	1								
Q	Door – Half (LL)	-	<a href="#">1A0326A04</a>	1	1								
T	Mullion – Cross	-	2A1350A02	1	1								
1	Hinge – Stop Pin	PS	<a href="#">4A2180-01</a>	2	2								
2	Hinge – Tension Screw	PS	<a href="#">4A0446-01</a>	4	4								
3	Hinge – Bushing Cover	SS	<a href="#">4A0445-01</a>	4	4								
4	Hinge – Lock Washer	PS	<a href="#">4A0553-01</a>	4	4								
5	Hinge – Pivot Pin (Top)	PS	<a href="#">4A2179-01</a>	2	2								
6	Bracket – Door Hinge (LR)	PS	<a href="#">3A1626-01</a>	1	1								
6a	Countersunk Screw	5x20, SS	<a href="#">7C42-0520</a>	3	3								
7	Bracket – Door Hinge (LL)	PS	<a href="#">3A1627-01</a>	1	1								
7a	Countersunk Screw	5x20, SS	<a href="#">7C42-0520</a>	3	3								
8	Bracket – Door Hinge (UR)	PS	<a href="#">3A1580-01</a>	2	2								
8a	Countersunk Screw	5x20, SS	<a href="#">7C42-0520</a>	6	6								
9	Bracket – Door Hinge (UL)	PS	<a href="#">3A1581-01</a>	2	2								
9a	Countersunk Screw	5x20, SS	<a href="#">7C42-0520</a>	6	6								
10	Hinge – Stop Plate (R)	PS	<a href="#">4A0441-01</a>	2	2								
11	Hinge – Stop Plate (L)	PS	<a href="#">4A0441-02</a>	2	2								
12	Stop Pin	PS	<a href="#">4A1734-01</a>	2	2								
13	Pivot Pin	PS	<a href="#">4A1735-01</a>	2	2								
14	Screw – Stop Plate	PS	<a href="#">4A0483-01</a>	4	4								
15	Cover – Corner	ABS	<a href="#">3A0221-01</a>	16	-								
		-	<a href="#">3A1751-01</a>		16								

# D. Body-Final RH3-AAC

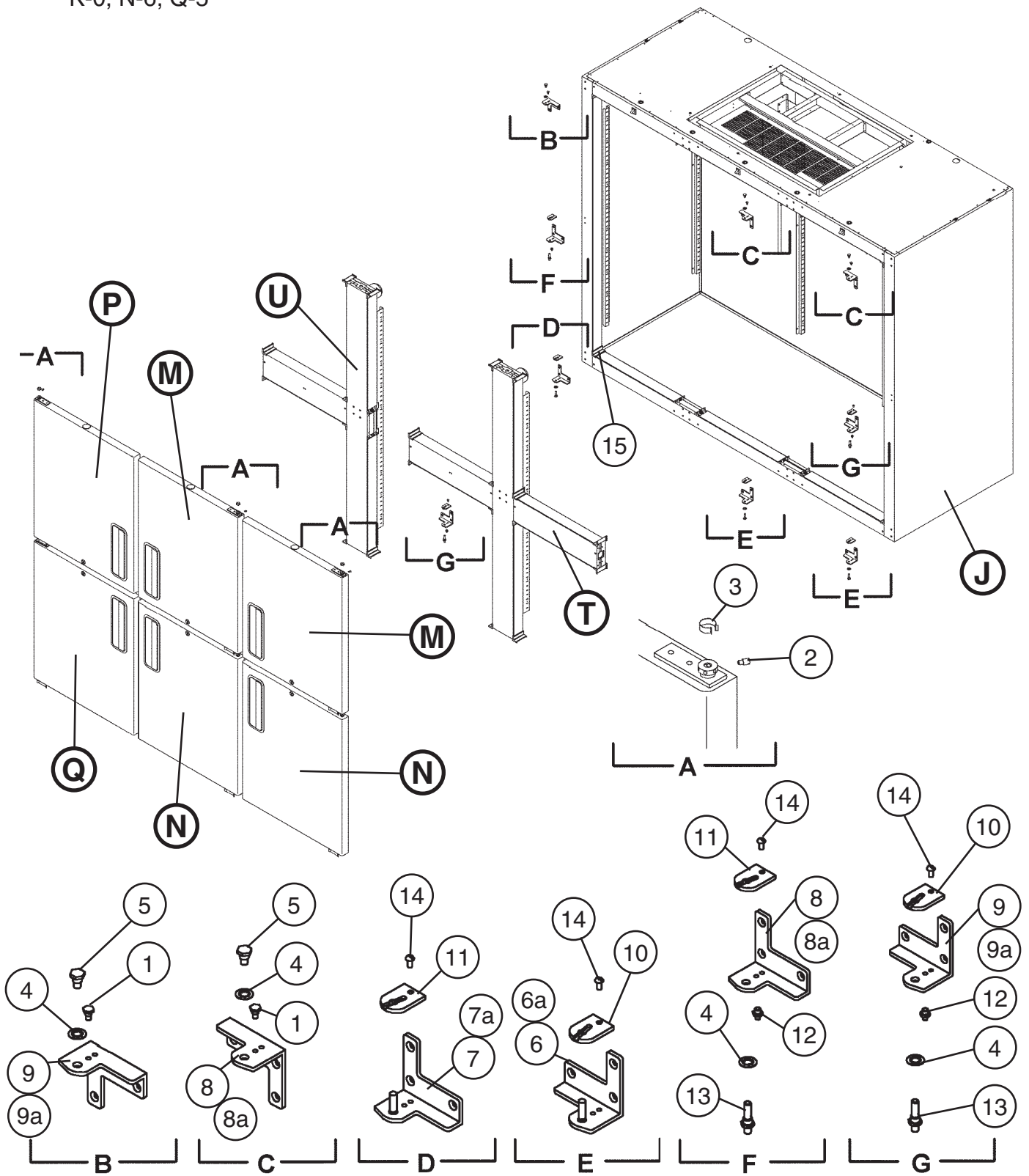
K-0, L-0, L-5, M-5, M-6, M-7, N-5, N-6, P-5, Q-5



Title: **D. Body-Final** Model: **RH3-AAC**

Index No.	Description	Material or Model Number	Part Number	Required Number									
				K-0 to Q-5									
J	Body – Prefinal	-	2A1132A04	1									
K	Door – Right	-	1A0318A03	2									
L	Door – Left	-	1A0318A04	1									
S	Mullion – Vertical	-	2A1289A03	2									
1	Hinge – Stop Pin	PS	4A2180-01	3									
2	Hinge – Tension Screw	PS	4A0446-01	3									
3	Hinge – Bushing Cover	SS	4A0445-01	3									
4	Hinge – Lock Washer	PS	4A0553-01	3									
5	Hinge – Pivot Pin (Top)	PS	4A2179-01	3									
6	Bracket – Door Hinge (LR)	PS	3A1626-01	2									
6a	Countersunk Screw	5x20, SS	7C42-0520	6									
7	Bracket – Door Hinge (LL)	PS	3A1627-01	1									
7a	Countersunk Screw	5x20, SS	7C42-0520	3									
8	Bracket – Door Hinge (UR)	PS	3A1580-01	2									
8a	Countersunk Screw	5x20, SS	7C42-0520	6									
9	Bracket – Door Hinge (UL)	PS	3A1581-01	1									
9a	Countersunk Screw	5x20, SS	7C42-0520	3									
10	Hinge – Stop Plate (R)	PS	4A0441-01	2									
11	Hinge – Stop Plate (L)	PS	4A0441-02	1									
12	Screw – Stop Plate	PS	4A0483-01	3									
13	Cover – Corner	ABS	3A1751-01	12									

**D. Body-Final**  
**RH3-AAC-HD**  
 K-0, N-6, Q-5



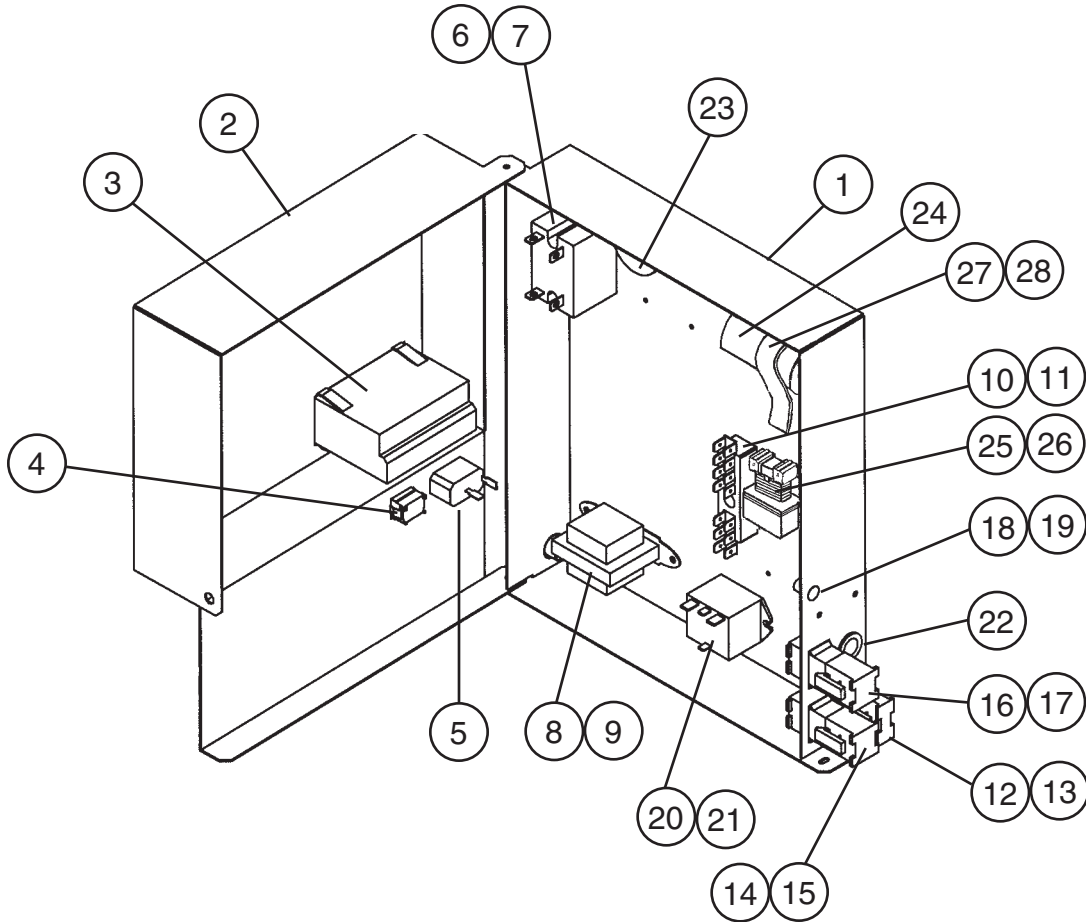
Title: **D. Body-Final** Model: **RH3-AAC-HD**

Index No.	Description	Material or Model Number	Part Number	Required Number									
				K-0 to Q-5									
J	Body – Prefinal	-	2A1399A02	1									
M	Door – Half (UR)	-	<a href="#">1A0326A03</a>	2									
N	Door – Half (LR)	-	<a href="#">1A0324A03</a>	2									
P	Door – Half (UL)	-	<a href="#">1A0324A04</a>	1									
Q	Door – Half (LL)	-	<a href="#">1A0326A04</a>	1									
T	Mullion – Cross	-	2A1350A02	1									
U	Mullion – Tee (L)		2A1385A02	1									
1	Hinge – Stop Pin	PS	<a href="#">4A2180-01</a>	3									
2	Hinge – Tension Screw	PS	<a href="#">4A0446-01</a>	6									
3	Hinge – Bushing Cover	SS	<a href="#">4A0445-01</a>	6									
4	Hinge – Lock Washer	PS	<a href="#">4A0553-01</a>	6									
5	Hinge – Pivot Pin (Top)	PS	<a href="#">4A2179-01</a>	3									
6	Bracket – Door Hinge (LR)	PS	<a href="#">3A1626-01</a>	2									
6a	Countersunk Screw	5x20, SS	<a href="#">7C42-0520</a>	6									
7	Bracket – Door Hinge (LL)	PS	<a href="#">3A1627-01</a>	1									
7a	Countersunk Screw	5x20, SS	<a href="#">7C42-0520</a>	3									
8	Bracket – Door Hinge (UR)	PS	<a href="#">3A1580-01</a>	3									
8a	Countersunk Screw	5x20, SS	<a href="#">7C42-0520</a>	9									
9	Bracket – Door Hinge (UL)	PS	<a href="#">3A1581-01</a>	3									
9a	Countersunk Screw	5x20, SS	<a href="#">7C42-0520</a>	9									
10	Hinge – Stop Plate (R)	PS	<a href="#">4A0441-01</a>	4									
11	Hinge – Stop Plate (L)	PS	<a href="#">4A0441-02</a>	2									
12	Stop Pin	PS	<a href="#">4A1734-01</a>	3									
13	Pivot Pin	PS	<a href="#">4A1735-01</a>	3									
14	Screw – Stop Plate	PS	<a href="#">4A0483-01</a>	6									
15	Cover – Corner	ABS	<a href="#">3A1751-01</a>	24									

## E. Control Box Assembly

### RH1-AAC(-HD), RH2-AAC(-HD), RH3-AAC(-HD)

K-0, K-1, L-0, L-5, M-5, M-6, M-7, N-5, N-6, P-5, P-6, P-7, Q-5

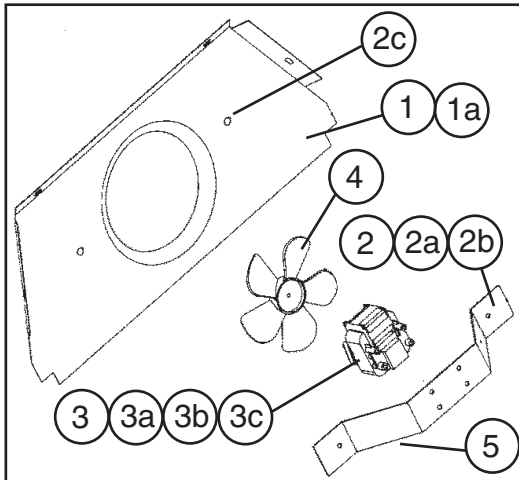


Title: E. Control Box Assembly Model: RH1-AAC(-HD), RH2-AAC(-HD), RH3-AAC(-HD)														
Index No.	Description	Material or Model Number	Part Number	Required Number										
				K-0 K-1	L-0 L-5	M-5 to N-5	N-6 to P-5	P-6 to Q-5						
1	Base – Control Box	GS	2A1887-01	1	1	1	1	1						
2	Cover – Control Box	GS	2A1833-01	1	1	1	1	1						
3	Board – Control Display Controller	Use latest for all aux. codes	4A2203-01	1	1	1	1	-						
			3A3372-01					1						
4	Switch – Rocker	1801.110	4A0418-01	1	1	1	1	1						
5	Switch – Toggle	780K21	4A0424-01	1	1	1	1	1						
6	Relay – Compressor	HE1aN- AC120V	4A1307-01	1	1	1	1	1						
7	Tapping Screw	3x8	431415-01	1	1	1	1	1						
8	Transformer	BE110805GAA	4A2202-01	1	1	1	1	1						
9	Tapping Screw	3x8	431415-01	2	2	2	2	2						

Title: **E. Control Box Assembly** Model: **RH1-AAC(-HD), RH2-AAC(-HD), RH3-AAC(-HD)**

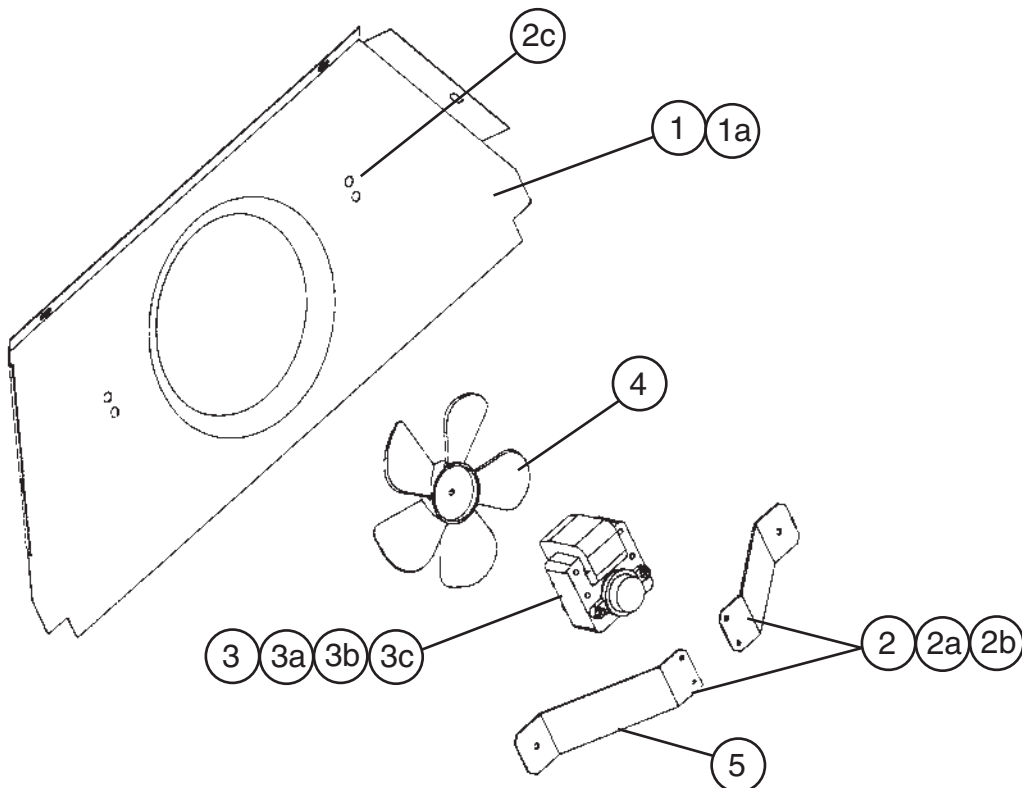
Index No.	Description	Material or Model Number	Part Number	Required Number											
				K-0 K-1	L-0 L-5	M-5 to N-5	N-6 to P-5	P-6 to Q-5							
10	Terminal Block	RH1-AAC(-HD) RH2-AAC(-HD) ESB1-6-8	4A1540-01	1	1	-									
		RH1-AAC(-HD) RH2-AAC(-HD) ESB2-323-424	4A2619-01			1	1	1							
		RH3-AAC(-HD) ESB1-6-8	4A1540-01	1	1	1	-								
		RH3-AAC(-HD) ESB2-323-424	4A2619-01				1	1							
11	Tapping Screw	3x8	431415-01	1	1	1	1	1							
12	Plug Housing	3/12/35	4A0425-01	1	1	1	1	1							
13	Receptacle Housing	03-12-1036	4A0426-01	1	1	1	1	1							
14	Plug Housing(6 Pin)	3191-06P	412832-03	1	1	1	1	1							
15	Receptacle Housing(6 Pin)	3191-06R1	412831-03	1	1	1	1	1							
16	Plug Housing(6 Pin)	3191-06P	412832-12	1	1	1	1	1							
17	Receptacle Housing(6 Pin)	3191-06R1	412831-12	1	1	1	1	1							
18	Insert – Threaded	M5	4A0407-01	1	1	1	1	1							
19	Truss Head Screw	5x10	7C32-0510	1	1	1	1	1							
20	Relay – Door Switch	JA1b-TM-AC12V	4A2268-01	1	1	1	1	1							
21	Tapping Screw	3x8	431415-01	2	2	2	2	2							
22	Bushing	SB-625-8	420470-01	1	1	1	1	1							
23	Bushing	RH1-AAC(-HD) Only SB-1500-21	420470-06	1	-										
24	Capacitor – Starting	RH3-AAC(-HD) Only	3A0076-14	1	1	1	1	1							
25	Relay – Start	RH3-AAC(-HD) Only	4A1709-02	1	1	1	1	1							
26	Truss Head Screw	RH3-AAC(-HD) Only 4x8, SS	7C32-0408	1	1	1	1	1							
27	Strap	RH3-AAC(-HD) Only GS	434580-05	1	1	-									
			434580-03			1	1	1							
28	Tapping Screw	RH3-AAC(-HD) Only 3x8	431415-01	1	1	1	1	1							

**F. Fan-Evaporator Assembly  
RH1-AAC(-HD)**  
K-0, K-1, L-0, L-5



**HS-3541**  
See next page for information about non-interchangeable part change.

**F. Fan-Evaporator Assembly  
RH1-AAC(-HD)**  
M-5, M-6, M-7, N-5, N-6, P-5, P-6, P-7, Q-5



Title: **F. Fan-Evaporator Assembly** Model: **RH1-AAC(-HD)**

Index No.	Description	Material or Model Number	Part Number	Required Number												
				K-0 to L-5	M-5 to Q-5											
1	Shroud – Evaporator		2A0846-01	Note: Parts are not interchangeable. For serial numbers M-5 ___ B and earlier, see the information below. For serial numbers M-5 ___ C and later, order the appropriate parts from this chart.	1											
1a	Truss Head Screw	4x16, SS	7C32-0416		4											
2	Bracket – Fan Motor		3A2501-01		2											
2a	Truss Head Screw	5x12, SS	7C32-0512		2											
2b	Lock Washer		4A0459-01		2											
2c	Threaded Insert	M5	4A0407-01		2											
3	Fan Motor – Evaporator	SHINKO	4A2563-01		1											
3a	Truss Head Screw	4x40, SS	7C32-0440		4											
3b	Split Lock Washer	4, SS	7L22-0400		4											
3c	Hex Nut	4, SS	7N12-0400		4											
4	Blade – Evaporator Fan		4A2378-01		1											
5	Wire Tie (Twist)		4A1223-01		1											

**Note for Models Having Serial Number M5 \_\_\_ B and Earlier**

If your model falls into this time frame and you need to replace parts in the assembly, review the scenarios below and follow the appropriate solution.

- a. Unit's evaporator shroud has only two holes or has four holes but only the lower two holes are threaded.

Solution: Order [HS-3541](#) that contains a motor (Shinko), brackets, blade, and all fasteners required for mounting to the shroud using the existing threaded holes.

- b. Unit's evaporator shroud has four threaded holes and a Jakel motor.

Solution: Order a new motor (Shinko), brackets, fan blade, and all fasteners listed in the parts list above. Attach the brackets to the upper two holes on the shroud.

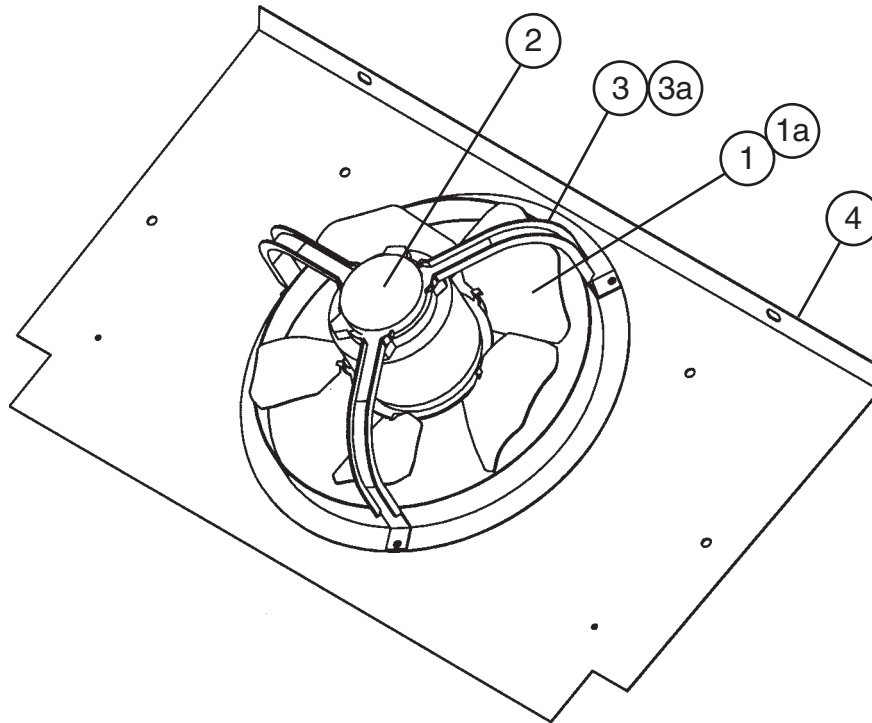
[HS-3541](#)-Shinko Fan Motor Conversion

Index No.	Description	Material or Model Number	Part Number	Required Number											
				M5 ___ B and earlier											
HS1	Bracket – Fan Motor (L)		3A2357-01	1											
HS1a	Truss Head Screw	5x12, SS	7C32-0512	1											
HS1b	Lock Washer		4A0459-01	1											
HS2	Bracket – Fan Motor (R)		3A2358-01	1											
HS2a	Truss Head Screw	5x12, SS	7C32-0512	1											
HS2b	Lock Washer		4A0459-01	1											
HS3	Fan Motor – Evaporator	Shinko	4A2563-01	1											
HS3a	Truss Head Screw	4x40, SS	7C32-0440	4											
HS3b	Split Lock Washer	M4, SS	7L22-0400	4											
HS3c	Hex Nut	M4, SS	7N12-0400	4											
HS4	Blade – Evaporator Fan		4A2378-01	4											
HS5	Wire Tie (Twist)		4A1223-01	2											

## F. Evaporator-Shroud Assembly

### RH2-AAC(-HD)

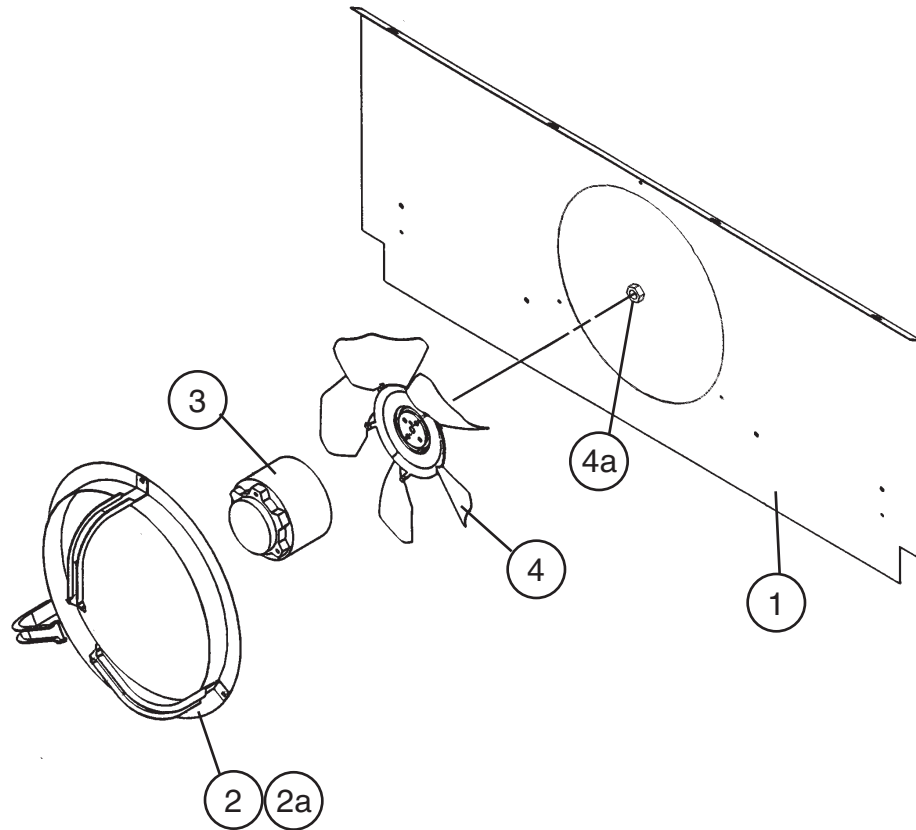
K-0, L-5, M-5, M-6, M-7, N-5, N-6, P-5, P-6, P-7, Q-5



Title: F. Evaporator-Shroud Assembly Model: RH2-AAC(-HD)										
Index No.	Description	Material or Model Number	Part Number	Required Number						
				K-0 to Q-5						
1	Blade – Fan (Pusher)	Air Drive Inc. AD9CCW30UBA	<a href="#">3A0438-01</a>	1						
1a	Hex Nut	-	<a href="#">4A1345-01</a>	1						
2	Motor – Evap Fan	Morrill Motors PSC4BE9BEA1	4A0413-01	1						
3	Orifice – Evap Fan	SS	4A0412-01	1						
3a	T2 Screw	4x8, SS, SS	<a href="#">7P32-0408</a>	3						
4	Shroud – Evap	SS	<a href="#">1A0100-01</a>	1						

## F. Evaporator-Shroud Assembly RH3-AAC(-HD)

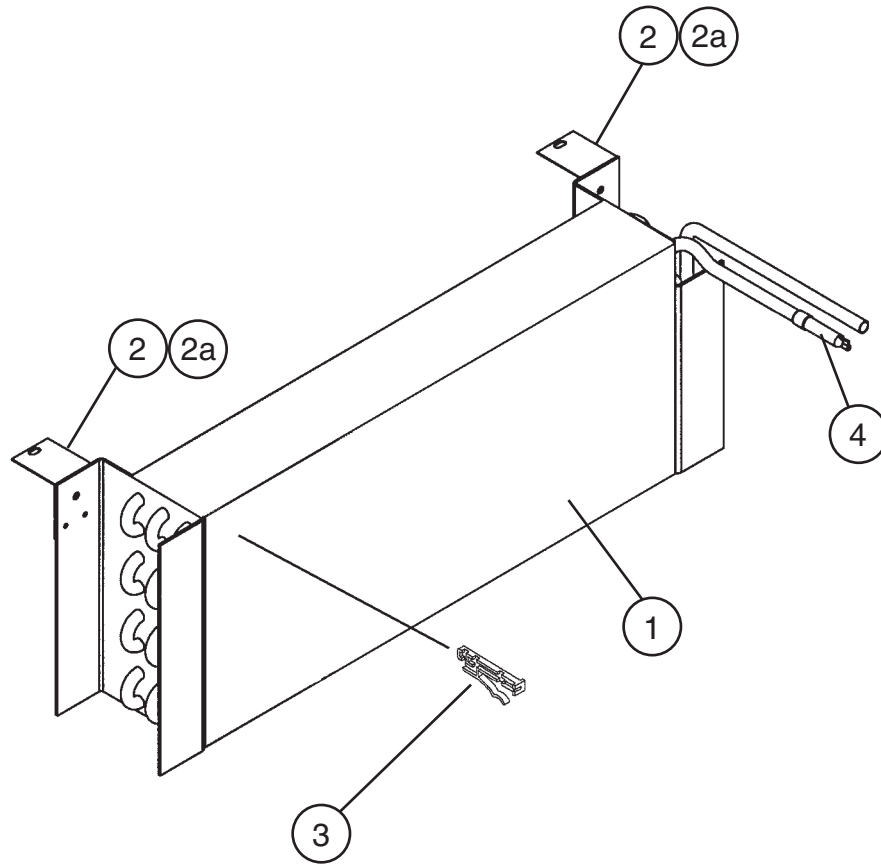
K-0, L-0, L-5, M-5, M-6, M-7, N-5, N-6, P-5, Q-5



Title: F. Evaporator-Shroud Assembly Model: RH3-AAC(-HD)										
Index No.	Description	Material or Model Number	Part Number	Required Number						
				K-0 to N-6						
1	Shroud – Evaporator	-	<a href="#">1A0248-01</a>	1						
2	Orifice – Evaporator Fan	-	<a href="#">4A0412-01</a>	1						
2a	T2 Screw	4x8, SS	<a href="#">7P32-0408</a>	3						
3	Motor – Evaporator Fan		<a href="#">4A0413-01</a>	1						
4	Blade – Fan (Pusher)	-	<a href="#">3A0438-01</a>	1						
4a	Hex Nut	-	<a href="#">4A1345-01</a>	1						

## G. Evaporator Assembly RH1-AAC(-HD)

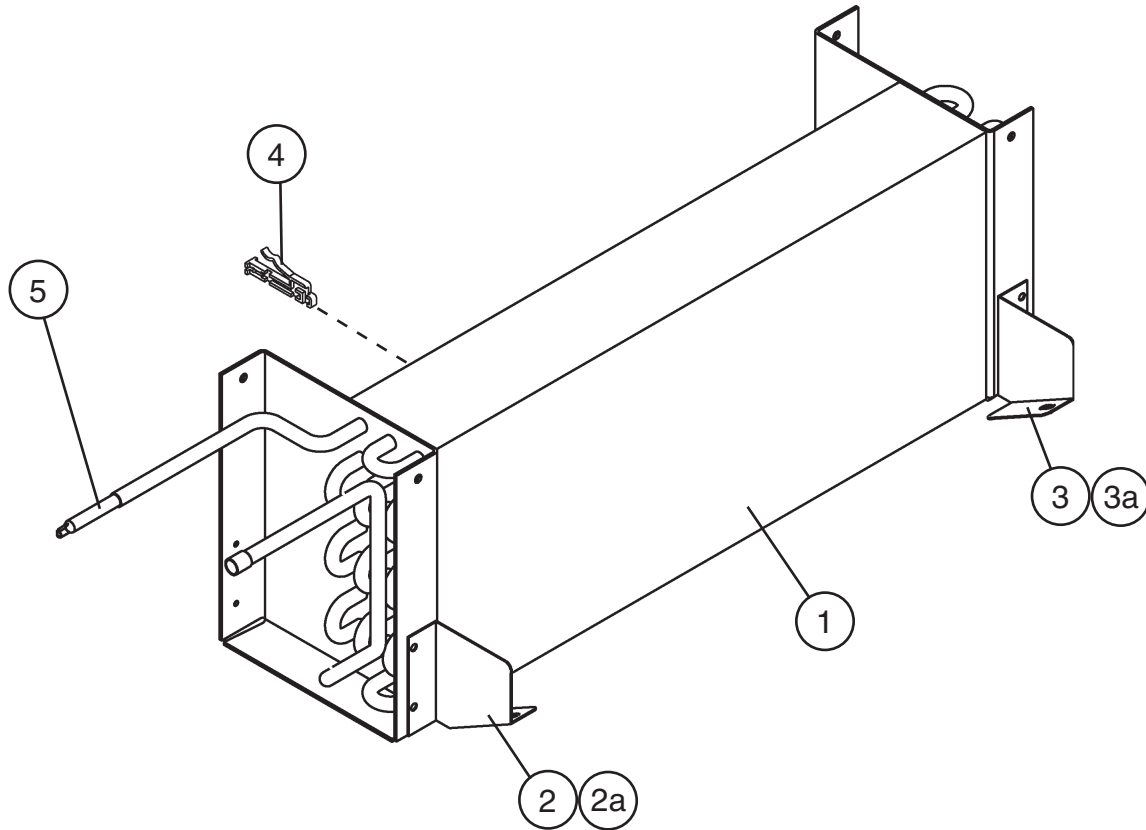
K-0, K-1, L-0, L-5, M-5, M-6, M-7, N-5, N-6, P-5, P-6, P-7, Q-5



Title: G. Evaporator Assembly Model: RH1-AAC(-HD)										
Index No.	Description	Material or Model Number	Part Number	Required Number						
				K-0 to P-7	Q-5					
1	Evaporator	Heatcraft 03EZ0603K- 8x19	<a href="#">2A1262-01</a>	1	1					
2	Bracket – Evaporator	SS	<a href="#">4A2542-01</a>	2	2					
2a	T2 Screw	4x8, SS	<a href="#">7P32-0408</a>	4	4					
3	Thermistor – Defrost	Thermistor is included w/ controller. (Assembly E) Thermistor is not replaceable as a standalone part.		-	-					
	Clip – Thermistor		<a href="#">4A3248G01</a>	1	1					
4	Copper Tube	CU	<a href="#">4A0554-02</a>	1	1					

## G. Evaporator Assembly RH2-AAC(-HD)

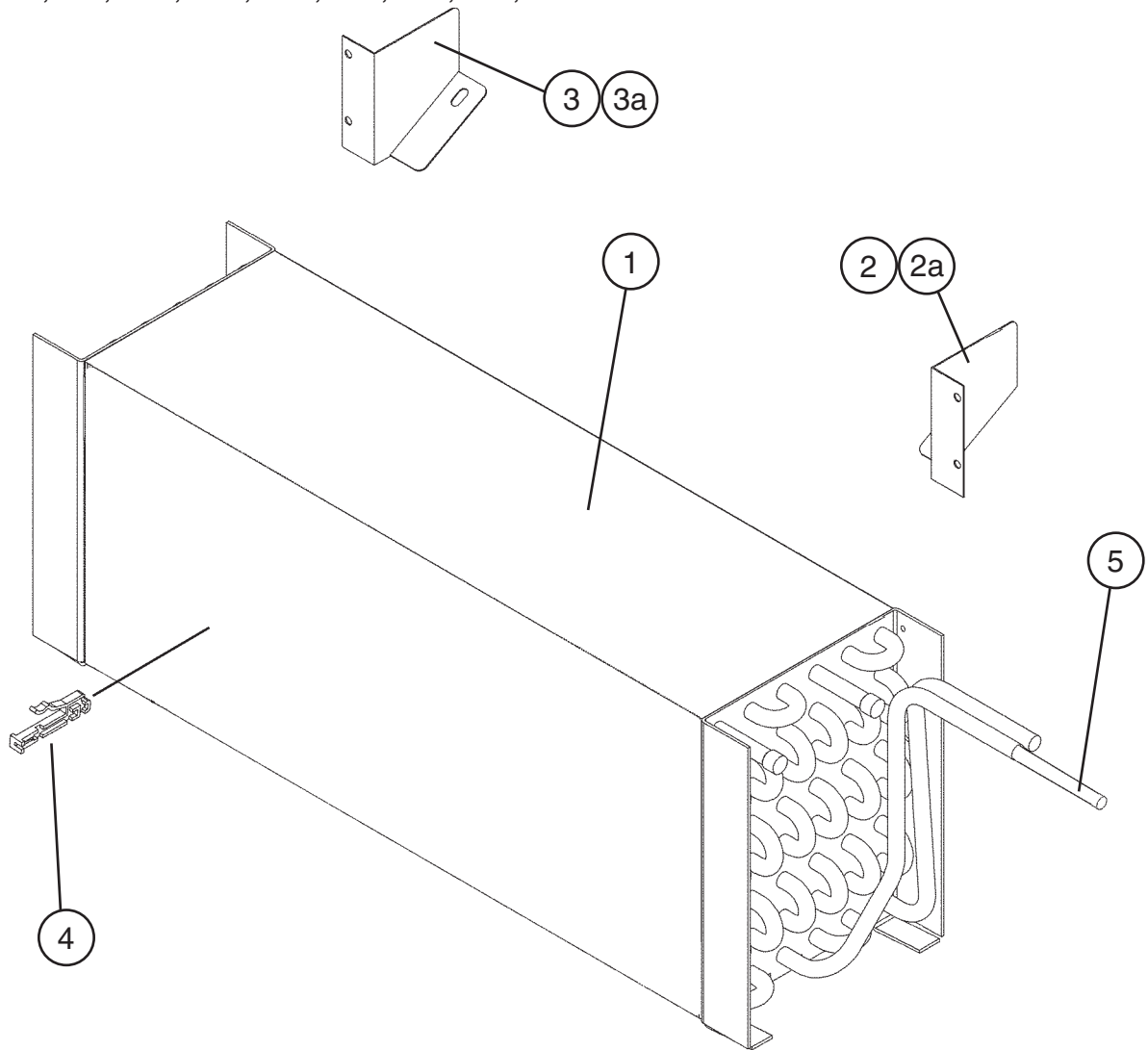
K-0, L-5, M-5, M-6, M-7, N-5, N-6, P-5, P-6, P-7, Q-5



Title: G. Evaporator Assembly Model: RH2-AAC(-HD)										
Index No.	Description	Material or Model Number	Part Number	Required Number						
				K-0 to P-7	Q-5					
1	Evaporator	Heatcraft 602899	<a href="#">2A1382-01</a>	1	1					
2	Bracket – Evap Shroud (R)	SS	<a href="#">4A0545-01</a>	1	1					
2a	T2 Screw	4x8, SS	<a href="#">7P32-0408</a>	2	2					
3	Bracket – Evap Shroud (L)	SS	<a href="#">4A0548-01</a>	1	1					
3a	T2 Screw	4x8, SS	<a href="#">7P32-0408</a>	2	2					
4	Thermistor – Defrost	Thermistor is included w/ controller. (Assembly E) Thermistor is not replaceable as a standalone part.		-	-					
	Clip – Thermistor		<a href="#">4A3248G01</a>	1	1					
5	Copper – Tube	CU	<a href="#">4A0554-04</a>	1	1					

## G. Evaporator Assembly RH3-AAC(-HD)

K-0, L-0, L-5, M-5, M-6, M-7, N-5, N-6, P-5, Q-5

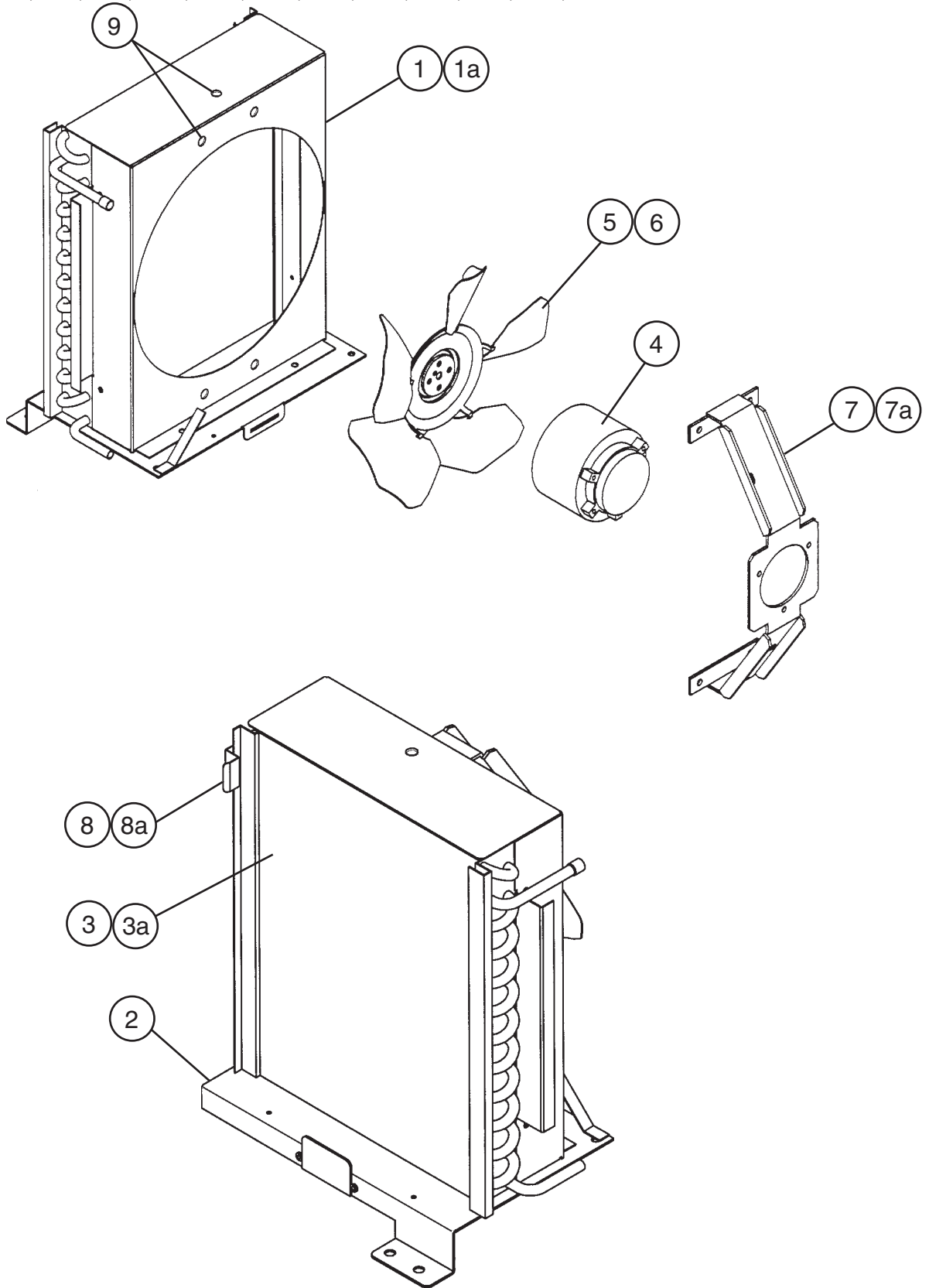


Title: G. Evaporator Assembly Model: RH3-AAC(-HD)											
Index No.	Description	Material or Model Number	Part Number	Required Number							
				K-0 to P-5	Q-5						
1	Evaporator	-	<a href="#">2A1159-01</a>	1	1						
2	Bracket – Evap Shroud (R)	SS	<a href="#">4A0545-01</a>	1	1						
2a	T2 Screw	4x8, SS	<a href="#">7P32-0408</a>	2	2						
3	Bracket – Evap Shroud (L)	SS	<a href="#">4A0548-01</a>	1	1						
3a	T2 Screw	4x8, SS	<a href="#">7P32-0408</a>	2	2						
4	Thermistor – Defrost	Thermistor is included w/ controller. (Assembly E) Thermistor is not replaceable as a standalone part.		-	-						
	Clip – Thermistor		<a href="#">4A3248G01</a>	1	1						
5	Copper Tube	CU	<a href="#">4A0554-05</a>	1	1						

## H. Condenser Assembly

### RH1-AAC(-HD)

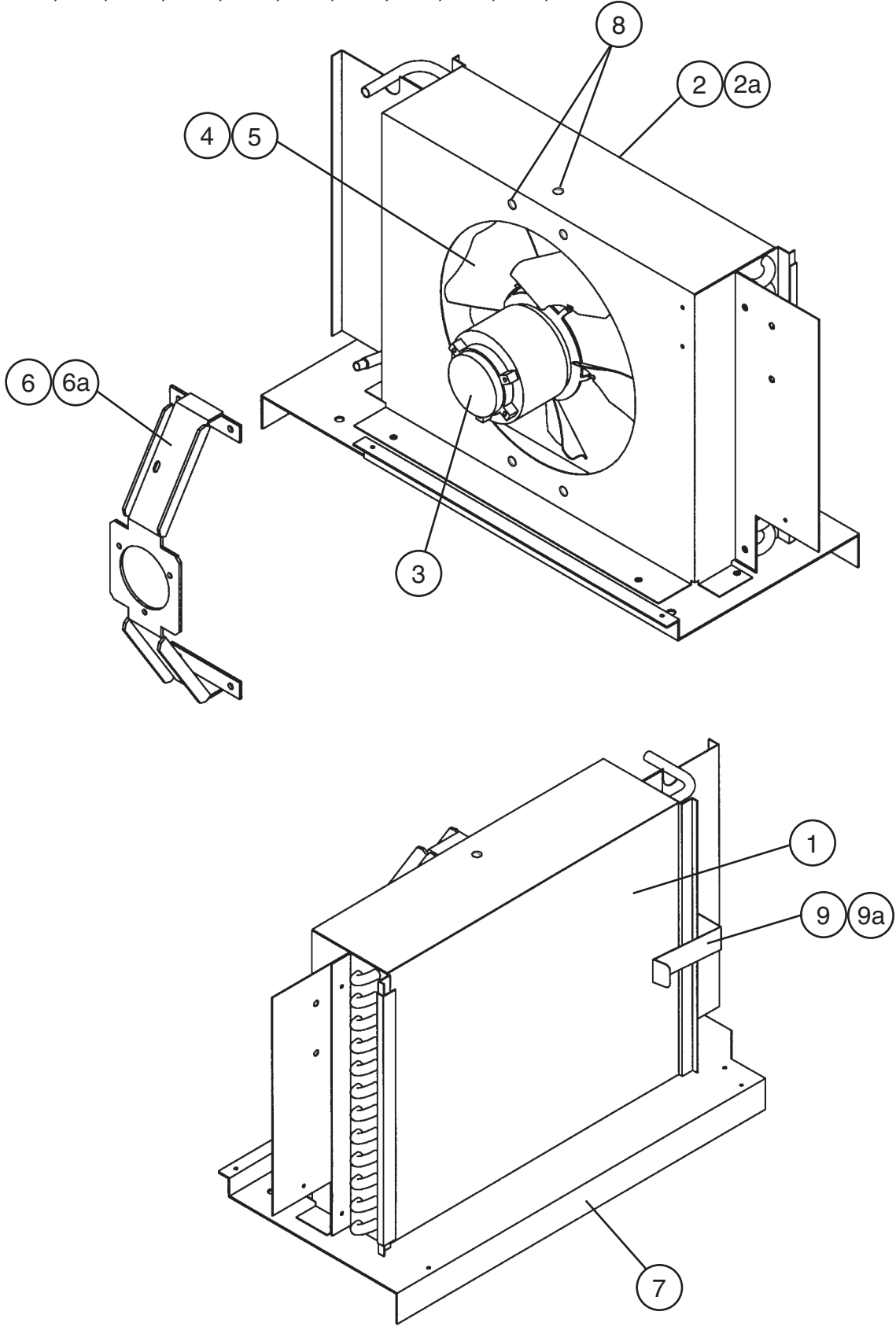
K-0, K-1, L-0, L-5, M-5, M-6, M-7, N-5, N-6, P-5, P-6, P-7, Q-5



Title: <b>H. Condenser Assembly</b> Model: <b>RH1-AAC(-HD)</b>											
Index No.	Description	Material or Model Number	Part Number	Required Number							
				K-0 to N-5	N-6 to Q-5						
1	Shroud – Condenser	GS	2A1685-01	1	-						
			2A2722-01		1						
1a	T2 Screw	4x8, SS	7P32-0408	2	2						
2	Base – Condenser	GS	2A1027G01	1	-						
			2A2724G01		1						
3	Condenser	Heatcraft 2CZ1002N- 12x9	2A0623-01	1	1						
3a	T2 Screw	4x8, SS	7P32-0408	4	4						
4	Motor-9W	-	4A0408-01	1	1						
5	Blade – Cond Fan	AIR DRIVE AD9CW30UBA	3A0436-01	1	1						
6	Hex Nut	PS	4A1345-01	1	1						
7	Bracket – Condenser Fan	GS	3A1564-01	1	1						
7a	Truss Head Screw	5x12	7C32-0512	4	4						
8	Retainer – Filter	GS	4A0790-01	1	1						
8a	T2 Screw	4x8, SS	7P32-0408	2	2						
9	Insert – Threaded	-	4A0407-01	5	5						

**H. Condenser Assembly**  
**RH2-AAC(-HD)**

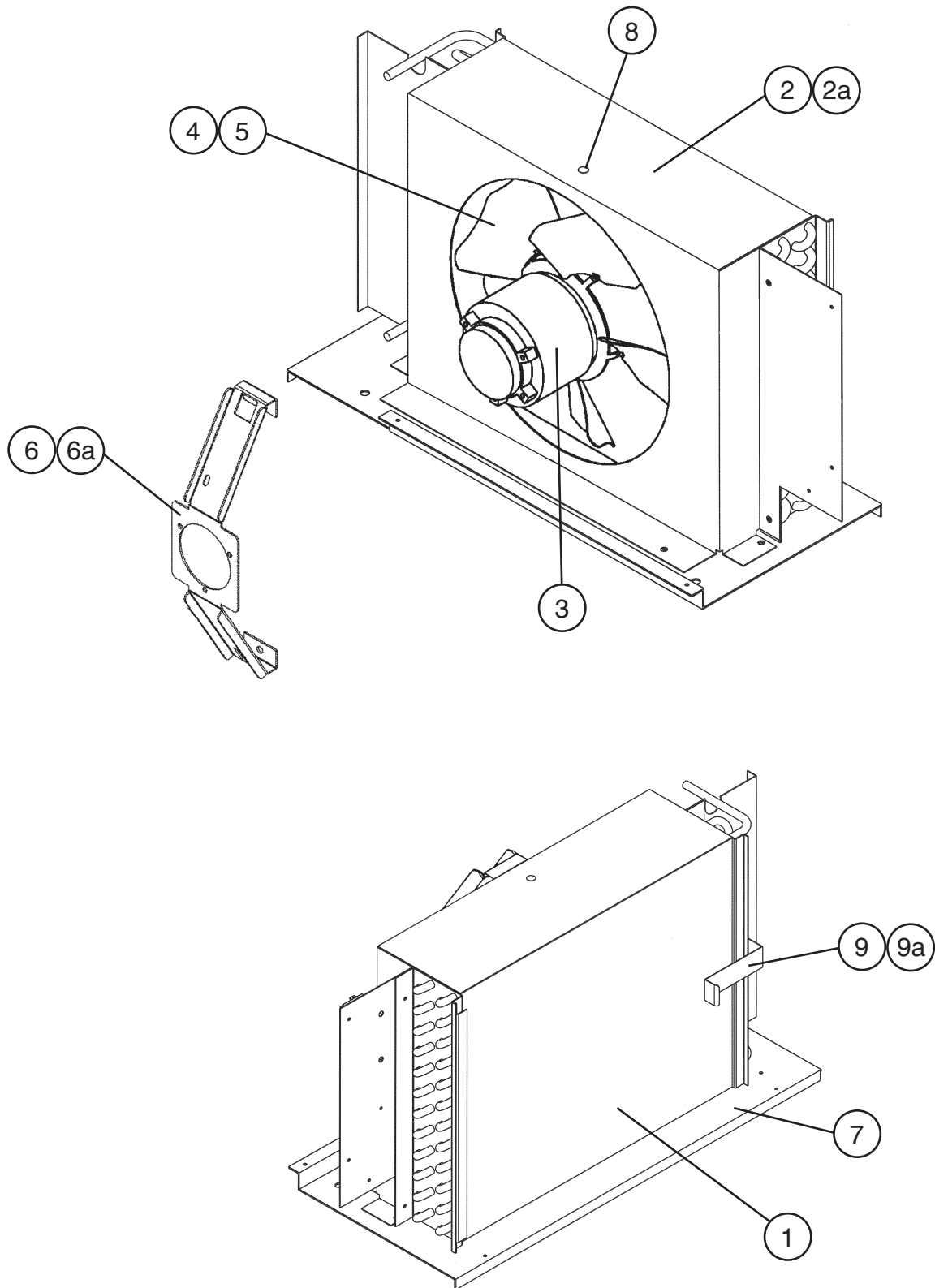
K-0, L-5, M-5, M-6, M-7, N-5, N-6, P-5, P-6, P-7, Q-5



Title: <b>H. Condenser Assembly</b> Model: <b>RH2-AAC(-HD)</b>												
Index No.	Description	Material or Model Number	Part Number	K-0 to Q-5	Required Number							
1	Condenser	Heatcraft 3CZ1002C- 12x15	<a href="#">2A0261-01</a>	1								
2	Shroud – Condenser	GS	<a href="#">2A1686-01</a>	1								
2a	T2 Screw	4x8, SS	<a href="#">7P32-0408</a>	8								
3	Motor – Cond Fan	SPGE9HBE1	<a href="#">4A0408-01</a>	1								
4	Blade – Fan Ref	Air Drive AD9CW30UBA38	<a href="#">3A0436-01</a>	1								
5	Hex Nut	¼”-20 Zinc Plated	<a href="#">4A1345-01</a>	1								
6	Bracket – Cond Fan	GS	<a href="#">3A1564-01</a>	1								
6a	Truss Head Screw	5x12	<a href="#">7C32-0512</a>	4								
7	Base – Condenser	GS	<a href="#">2A1217-01</a>	1								
8	Insert – Threaded	-	<a href="#">4A0407-01</a>	5								
9	Retainer – Filter	-	<a href="#">4A2138-01</a>	1								
9a	T2 Screw	4x8, SS	<a href="#">7P32-0408</a>	2								

## H. Condenser Assembly RH3-AAC(-HD)

K-0, L-0, L-5, M-5, M-6, M-7, N-5, N-6, P-5, Q-5

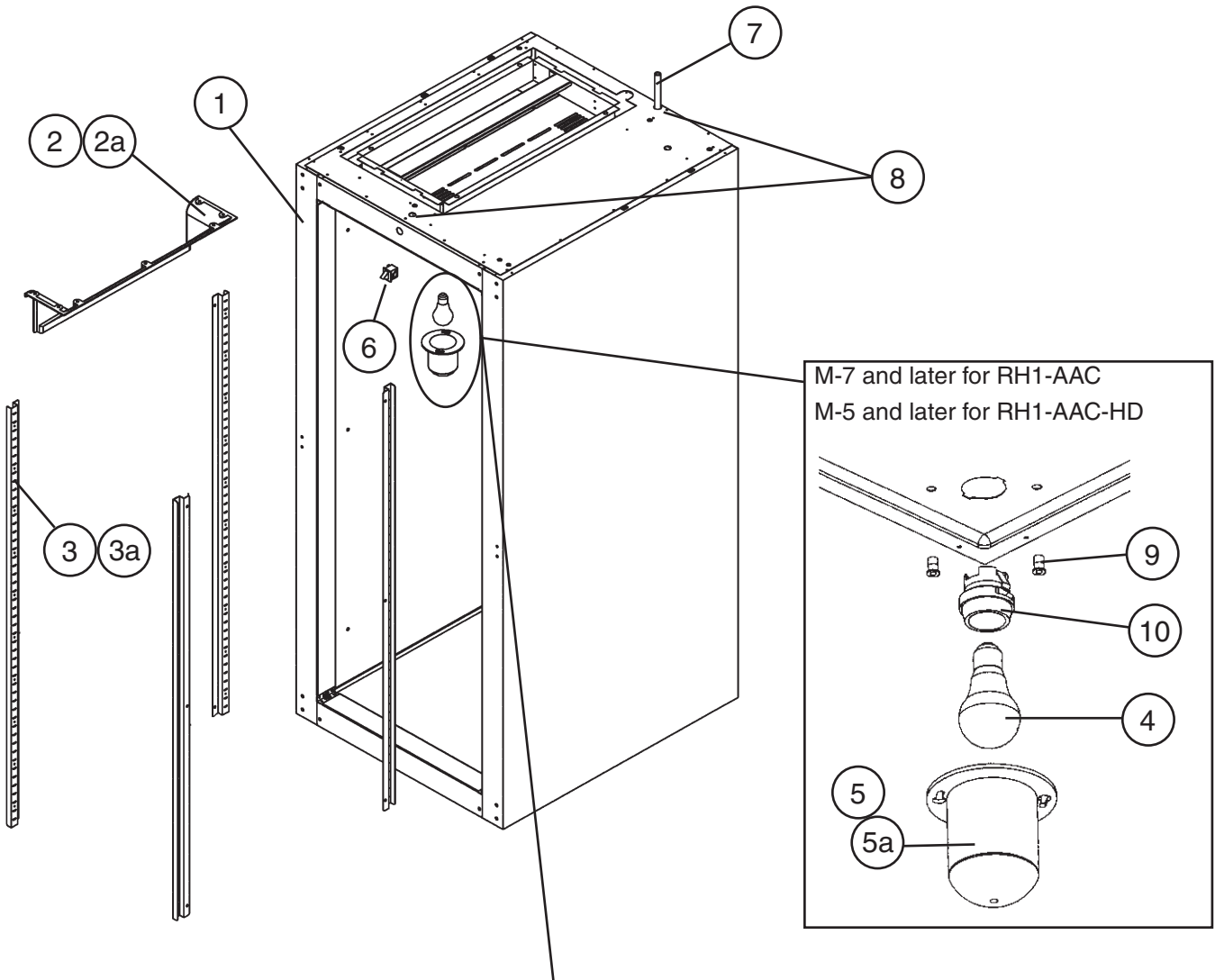


Title: **H. Condenser Assembly** Model: **RH3-AAC(-HD)**

Index No.	Description	Material or Model Number	Part Number	K-0 to Q-5	Required Number								
1	Condenser	-	<a href="#">2A1166-01</a>	1									
2	Shroud – Condenser	GS	<a href="#">2A1715-01</a>	1									
2a	T2 Screw	4x6, SS	7P32-0406	8									
3	Motor – 16W	SPGE9HBE1	<a href="#">4A0815-01</a>	1									
4	Blade – Fan (Puller)	-	<a href="#">3A0608-01</a>	1									
5	Hex Nut	1/4"-20 ZINC PLATED	<a href="#">4A1345-01</a>	1									
6	Bracket – Cond Fan	GS	<a href="#">3A1564-01</a>	1									
6a	Truss Head Screw	5x12, SS	<a href="#">7C32-0512</a>	4									
7	Base – Condenser	GS	<a href="#">2A1168-01</a>	1									
8	Insert – Threaded	-	<a href="#">4A0407-01</a>	5									
9	Retainer – Filter	-	<a href="#">4A2138-01</a>	1									
9a	T2 Screw	4x8, SS	<a href="#">7P32-0408</a>	2									

## J. Body-Prefinal RH1-AAC(-HD)

K-0, K-1, L-0, L-5, M-5, M-6, M-7, N-5, N-6, P-5, P-6, P-7, Q-5

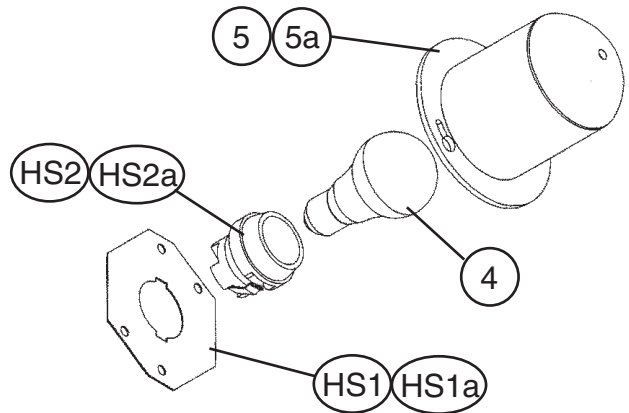


M-6 and earlier for RH1-AAC  
L-5 and earlier for RH1-AAC-HD

The santoprene light socket was changed to a porcelain lampholder at M-7 for FH1-AAC and at M-5 for FH2-AAC-HD. This change is non-interchangeable. If the light socket is not operating on a unit with a santoprene light socket, Hoshizaki recommends replacement with [HS-3554](#).

Note:

Parts 4, 5 and 5a are not included in HS-3554; they are shown for reference only.

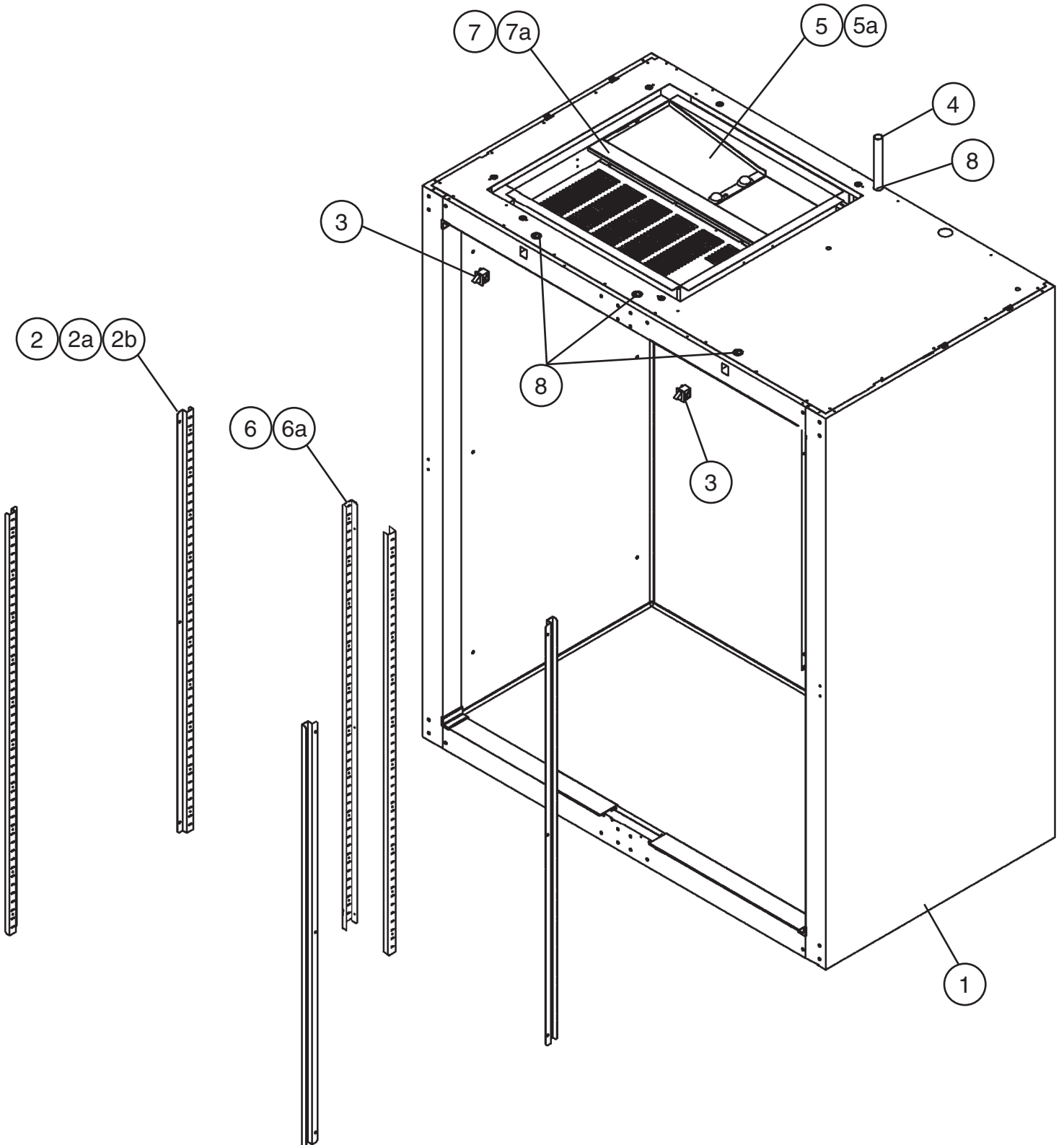


Title: <b>J. Body-Prefinal</b> Model: <b>RH1-AAC(-HD)</b>											
Index No.	Description	Material or Model Number	Part Number	Required Number							
				K-0	K-1 to L-5	M-5 M-6	M-7 to N-7				
1	Cabinet Prefoam (1 Sec)	-	1A0173G03	1	1	1	1				
2	Distributor – Air Top Assm	ABS	<a href="#">2A0438G01</a>	1	1	1	1				
2a	T2 Screw	4x8, SS, SS	<a href="#">7P32-0408</a>	7	7	7	7				
3	Pilaster	AL	<a href="#">3A0145-21</a>	4	4	4	4				
3a	Truss Head Screw	5x10, SS	<a href="#">7C32-0510</a>	12	12	12	12				
4	Bulb – Light	GE, 40A15	4A0437-01	1	1	-					
			<a href="#">4A2420-01</a>			1	1				
5	Shield – Light	STANDARD KEIL, 2778-1010-3000	<a href="#">4A0465-01</a>	1	1	1	1				
5a	Cheese Head Screw	5x12, SS	<a href="#">7C52-0512</a>	2	2	2	2				
5b	Washer	<b>RH1-AAC</b> 8, SS	<a href="#">7W22-0800</a>	2	2	2	-				
		<b>RH1-AAC-HD</b> 8, SS		2	2	-					
6	Switch – Door	<b>RH1-AAC</b> NYLON	3A1386-01	1	-						
			<a href="#">3A1826-01</a>		1	1	1				
		<b>RH1-AAC-HD</b> NYLON	3A1386-01	2	-						
			<a href="#">3A1826-01</a>		2	2	2				
7	Vinyl Hose	L=1700	<a href="#">773013812</a>	1	1	1	1				
8	Bushing	OCB-875	<a href="#">428394-04</a>	2	2	2	2				
9	Threaded Insert (Wide)	<b>RH1-AAC</b>	<a href="#">4A0839-01</a>				2				
		<b>RH1-AAC-HD</b>				2	2				
10	Lampholder	<b>RH1-AAC</b>	<a href="#">4A2862-01</a>	Non-interchangeable part change. If light socket is not operating for these codes, Hoshizaki recommends replacement with <a href="#">HS-3554</a> (below).			1				
		<b>RH1-AAC-HD</b>						1	1		

<a href="#">HS-3554-Lampholder Conversion Kit</a>										
Index No.	Description	Material or Model Number	Part Number	Required Number						
				M-6 and earlier for RH1-AAC L-5 and earlier for RH1-AAC-HD						
HS1	Plate – Lampholder Mount	SS	<a href="#">4A2880-01</a>	1						
HS1a	Cheese Head Screw	SS	<a href="#">7C52-0512</a>	2						
HS2	Lampholder		<a href="#">4A2862-01</a>	1						
HS2a	Terminal – Flag	DNFR18-250FIBK	8101-18FJ	2						

# J. Body-Prefinal RH2-AAC(-HD)

K-0, L-5, M-5, M-6, M-7, N-5, N-6, P-5, P-6, P-7, Q-5

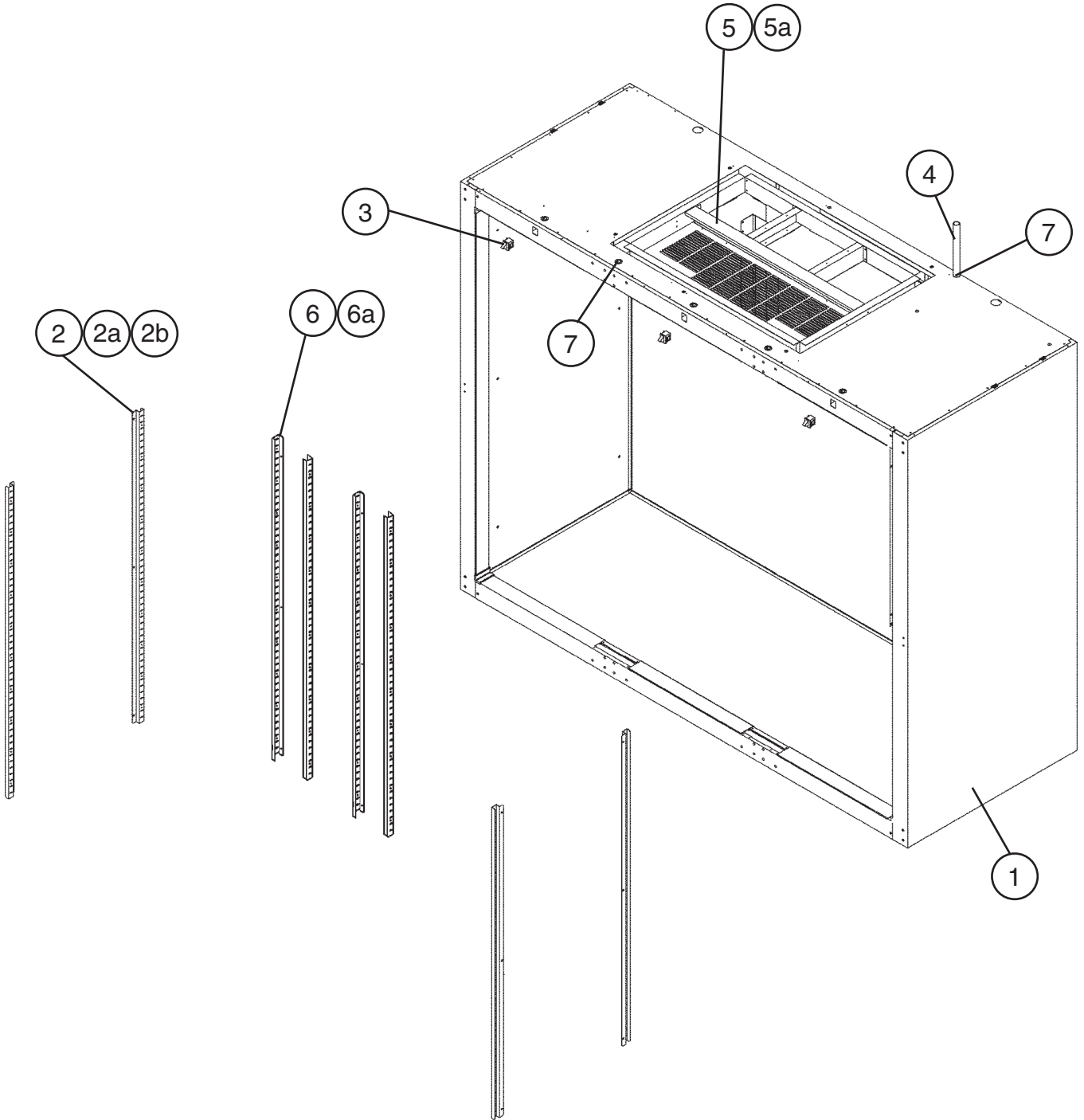


Title: **J. Body-Prefinal** Model: **RH2-AAC(-HD)**

Index No.	Description	Material or Model Number	Part Number	Required Number									
				K-0	L-5 to P-6	P-7 Q-5							
1	Cabinet – Prefoam	<b>RH2-AAC</b>	2A0706G04	1	1	1							
		<b>RH2-AAC-HD</b>	2A1346G02	1	1	1							
2	Pilaster	AL	<a href="#">3A0145-21</a>	4	4	4							
2a	Truss Head Screw	5x10, SS	<a href="#">7C32-0510</a>	12	12	12							
2b	Threaded Insert	M5	<a href="#">4A0407-01</a>	12	12	12							
3	Switch – Door	<b>RH2-AAC</b> NYLON	3A1386-01	2	-								
			<a href="#">3A1826-01</a>		2	2							
		<b>RH2-AAC-HD</b> NYLON	3A1386-01	4	-								
			<a href="#">3A1826-01</a>		4	4							
4	Vinyl Hose	L=1700	<a href="#">7730I3812</a>	1	1	1							
5	Baffle – Air	-	<a href="#">2A0625-01</a>	1	1	1							
5a	Truss Head Screw	5x10, SS	<a href="#">7C32-0510</a>	2	2	2							
6	Pilaster – Mullion	AL	2A0205-21	2	2	-							
			<a href="#">2A3246-21</a>			2							
6a	Truss Head Screw	5x10, SS	<a href="#">7C32-0510</a>	6	6	6							
7	Divider – Air	-	2A0199-21	1	1	1							
7a	T2 Screw	4x8, SS	<a href="#">7P32-0408</a>	4	4	4							
8	Bushing	OCB-875	<a href="#">428394-04</a>	4	4	4							

# J. Body-Prefinal RH3-AAC(-HD)

K-0, L-0, L-5, M-5, M-6, M-7, N-5, N-6, P-5, Q-5



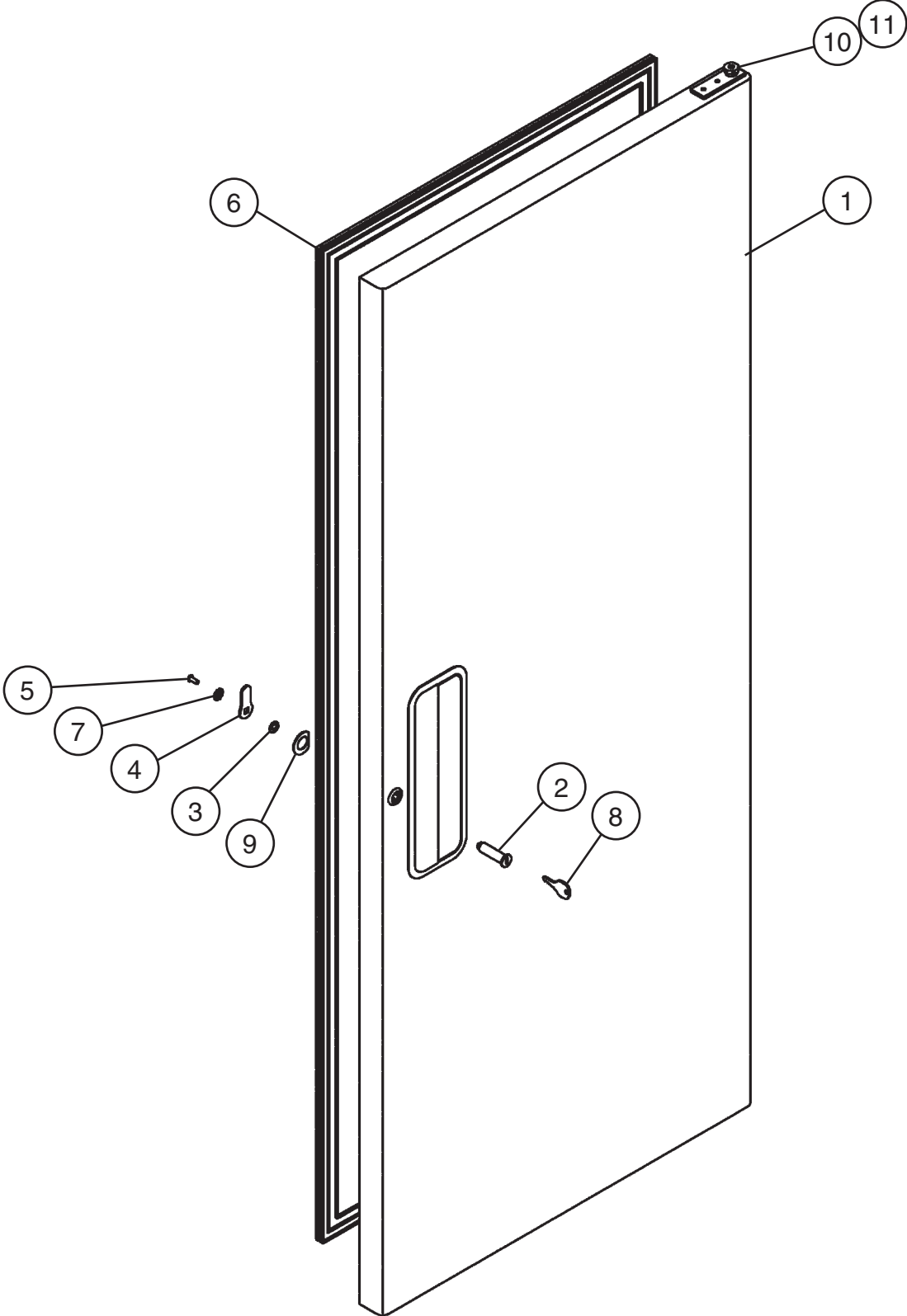
Title: **J. Body-Prefinal** Model: **RH3-AAC(-HD)**

Index No.	Description	Material or Model Number	Part Number	Required Number								
				K-0 to P-5	Q-5							
1	Cabinet – Prefoam	<b>RH3-AAC</b>	2A1018G03	1	1							
		<b>RH3-AAC-HD</b>	2A1398G02	1	1							
2	Pilaster	AL	<a href="#">3A0145-21</a>	4	4							
2a	Truss Head Screw	5×10, SS, SS	<a href="#">7C32-0510</a>	12	12							
2b	Threaded Inserts	M5	<a href="#">4A0407-01</a>	12	12							
3	Switch – Door	<b>RH3-AAC</b> NYLON	<a href="#">3A1826-01</a>	3	3							
		<b>RH3-AAC-HD</b> NYLON		6	6							
4	Vinyl Hose	L=1700	<a href="#">773013812</a>	1	1							
5	Divider – Air	-	2A1101-21	1	1							
5a	T2 Screw	4×8, SS, SS	<a href="#">7P32-0408</a>	4	4							
6	Pilaster – Mullion	AL	2A0205-21	4	-							
			<a href="#">2A3246-21</a>		4							
6a	Truss Head Screw	5×10, SS	<a href="#">7C32-0510</a>	12	12							
7	Bushing	OCB-875	<a href="#">428394-04</a>	6	6							

**K. Door-Right**

**RH1-AAC, RH2-AAC, RH3-AAC**

K-0, K-1, L-0, L-5, M-5, M-6, M-7, N-5, N-6, P-5, P-6, P-7, Q-5



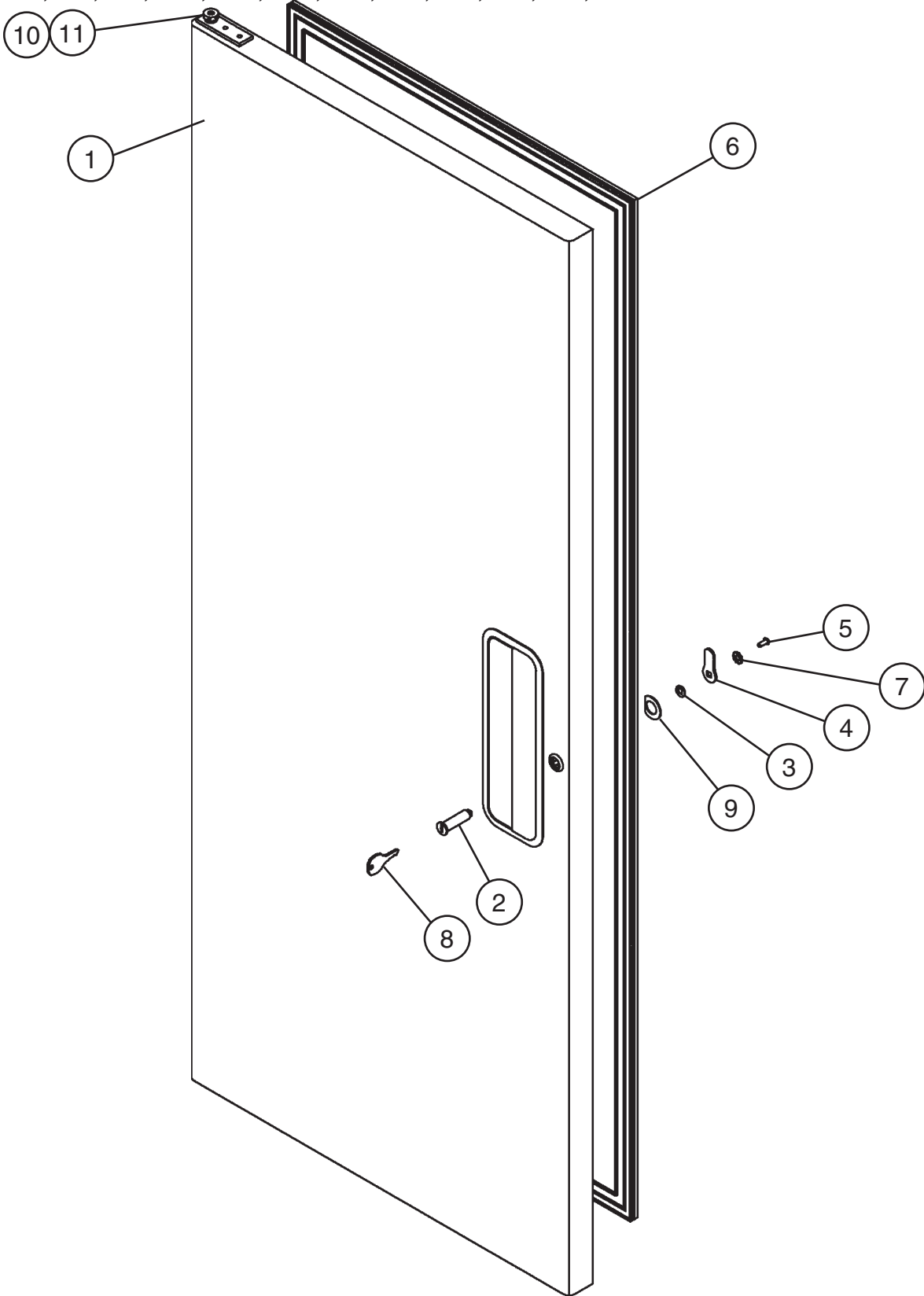
Title: **K. Door-Right** Model: **RH1-AAC, RH2-AAC, RH3-AAC**

Index No.	Description	Material or Model Number	Part Number	Required Number								
				K-0	K-1 to Q-5							
1	Door – Prefoam (R)	-	1A0317G01	1	-							
			1A0317G03		1							
2	Lock – Tumbler	M4-5813-001	<a href="#">4A0462-01</a>	1	1							
3	Lock – Stop Washer	M5-8060-103	<a href="#">4A0458-01</a>	1	1							
4	Cam – Door Lock	P.S	<a href="#">4A0228-01</a>	1	1							
5	Lock – Screw	SS	<a href="#">4A0461-01</a>	1	1							
6	Gasket – Door	JARROW #P-2209 244A GRAY	<a href="#">3A0273-01</a>	1	1							
7	Lock Washer	SS	<a href="#">4A0459-01</a>	1	1							
8	Lock – Key	M5-0680-111	<a href="#">4A0460-01</a>	1	1							
9	Washer – Door Lock	SS	<a href="#">4A0670-01</a>	1	1							
10	Hinge – Spring	-	<a href="#">4A3312-01</a>	1	1							
11	Hinge – Spring Cart		<a href="#">4A0438-01</a>	1	1							

**L. Door-Left**

**RH2-AAC, RH3-AAC**

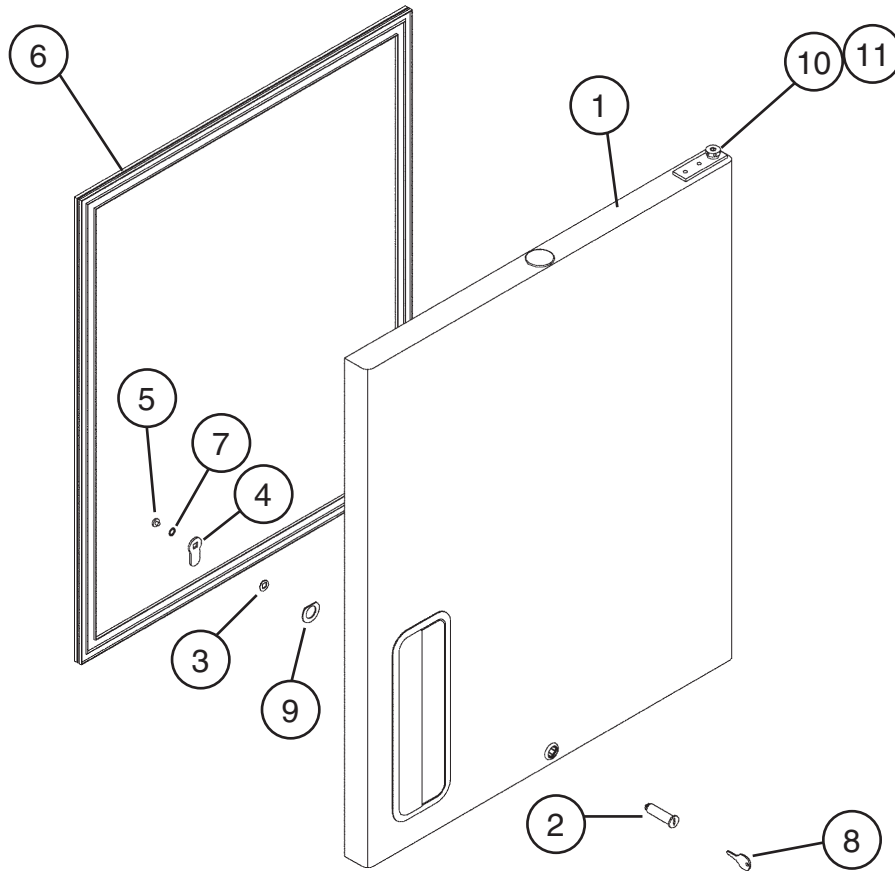
K-0, L-0, L-5, M-5, M-6, M-7, N-5, N-6, P-5, P-6, P-7, Q-5



Title: **L. Door-Left** Model: **RH2-AAC, RH3-AAC**

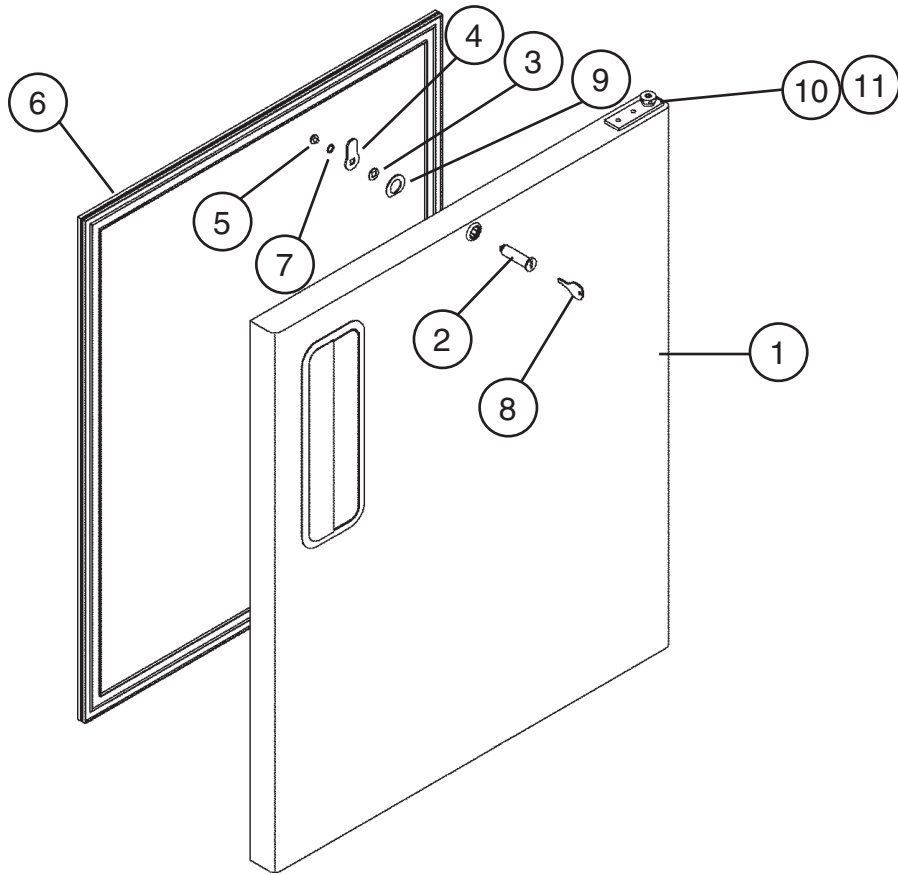
Index No.	Description	Material or Model Number	Part Number	Required Number								
				K-0	L-0 to Q-5							
1	Door – Prefoam (L)	-	1A0317G02	1	-							
			1A0317G04		1							
2	Lock – Tumbler	M4-5813-001	4A0462-01	1	1							
3	Lock – Stop Washer	M5-8060-103	4A0458-01	1	1							
4	Cam – Door Lock	P.S	4A0228-01	1	1							
5	Lock – Screw	SS	4A0461-01	1	1							
6	Gasket – Door	JARROW #P-2209 244A GRAY	3A0273-01	1	1							
7	Lock Washer	SS	4A0459-01	1	1							
8	Lock – Key	M5-0680-111	4A0460-01	1	1							
9	Washer – Door Lock	SS	4A0670-01	1	1							
10	Hinge – Spring		4A3312-02	1	1							
11	Hinge – Spring Cart		4A0438-02	1	1							

**M. Door-Half (UR)**  
**RH1-AAC-HD, RH2-AAC-HD, RH3-AAC-HD**  
 K-0, K-1, L-0, L-5, M-5, N-5, N-6, P-5, P-6, Q-5



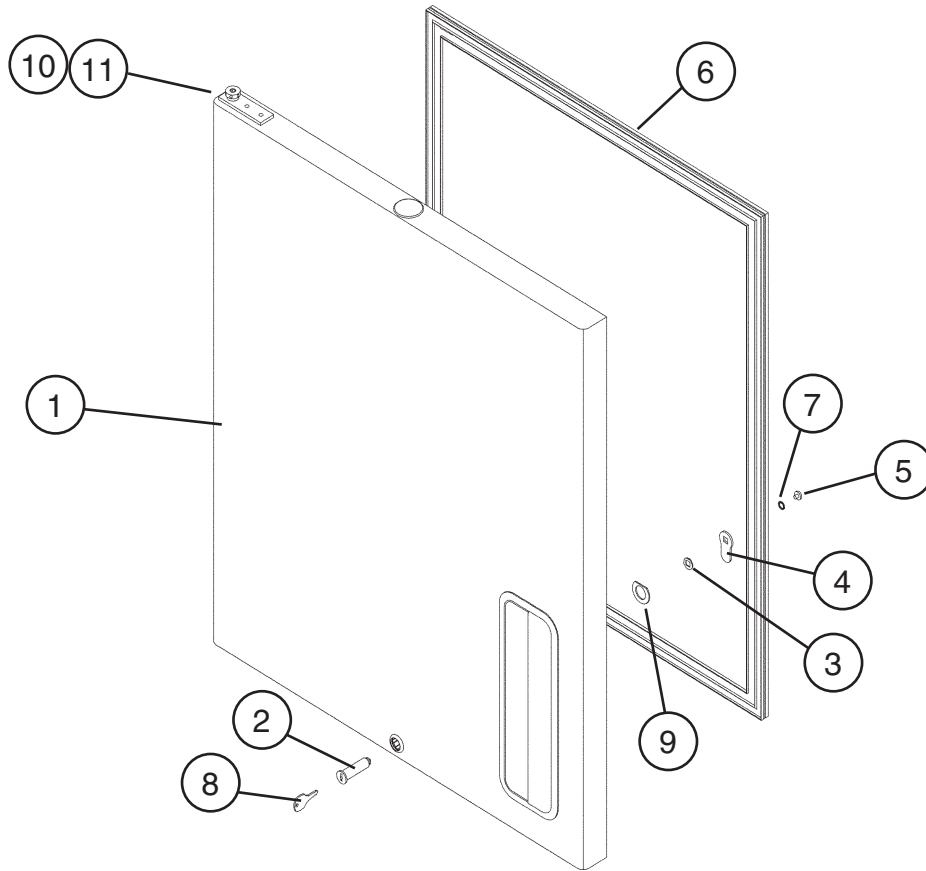
Title: M. Door-Half (UR) Model: RH1-AAC-HD, RH2-AAC-HD, RH3-AAC-HD										
Index No.	Description	Material or Model Number	Part Number	Required Number						
				K-0	K-1 to Q-5					
1	Door – Prefoam (UR)	-	1A0325G01	1	-					
			1A0325G03		1					
2	Lock – Tumbler	M4-5813-001	4A0462-01	1	1					
3	Lock – Stop Washer	M5-8060-103	4A0458-01	1	1					
4	Cam – Door Lock	P.S	4A0228-01	1	1					
5	Lock – Screw	SS	4A0461-01	1	1					
6	Gasket – Door (Half)	JARROW #P-2209 244A GRAY	3A0273-02	1	1					
7	Lock Washer	SS	4A0459-01	1	1					
8	Lock – Key	M5-0680-111	4A0460-01	1	1					
9	Washer – Door Lock	SS	4A0670-01	1	1					
10	Hinge – Spring		4A3312-01	1	1					
11	Hinge – Spring Cart		4A0438-01	1	1					

**N. Door-Half (LR)**  
**RH1-AAC-HD, RH2-AAC-HD, RH3-AAC-HD**  
 K-0, K-1, L-0, L-5, M-5, N-5, N-6, P-5, P-6, Q-5



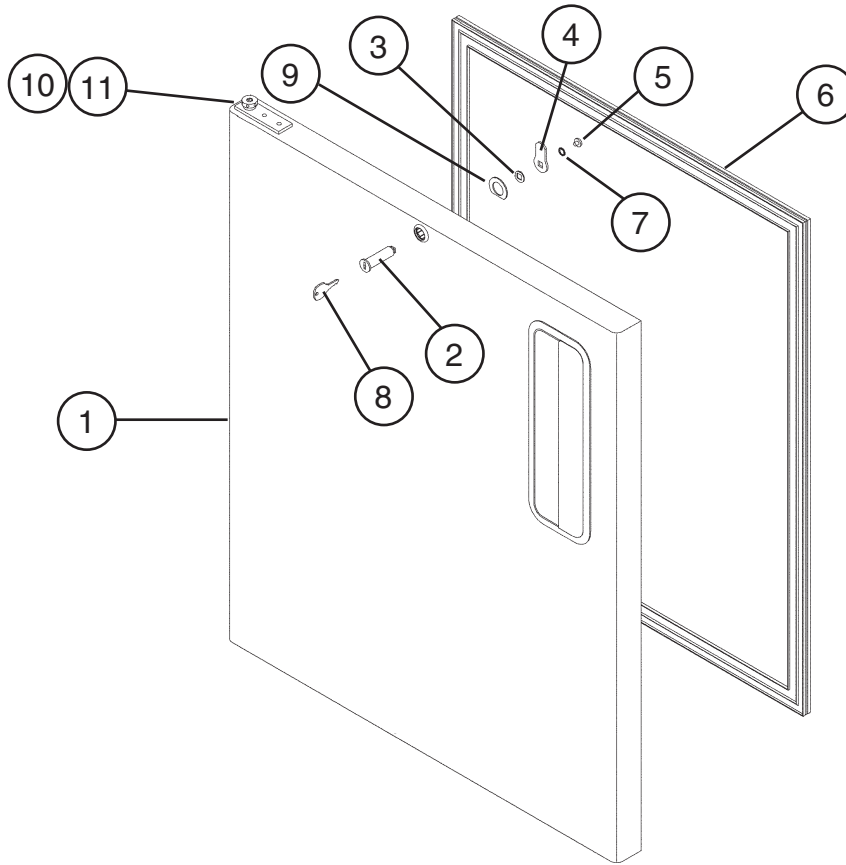
Title: N. Door-Half (LR) Model: RH1-AAC-HD, RH2-AAC-HD, RH3-AAC-HD											
Index No.	Description	Material or Model Number	Part Number	Required Number							
				K-0 K-1	L-0	L-5 to N-5	N-6 to Q-5				
1	Door – Prefoam (LR)	-	1A0323G01	1	-						
			1A0323G03		1	1	1				
2	Lock – Tumbler	M4-5813-001	4A0462-01	1	1	1	1				
3	Lock – Stop Washer	M5-8060-103	4A0458-01	1	1	1	1				
4	Cam – Door Lock	P.S	4A0228-01	1	1	1	1				
5	Lock – Screw	SS	4A0461-01	1	1	1	1				
6	Gasket – Door (Half)	JARROW #P-2209 244A GRAY	3A0273-02								
7	Lock Washer	SS	4A0459-01	1	1	1	1				
8	Lock – Key	M5-0680-111	4A0460-01	1	1	1	1				
9	Washer – Door Lock	SS	4A0670-01	1	1	1	1				
10	Hinge – Spring		4A3312-01	1	1	1	1				
11	Hinge – Spring Cart		4A0438-01	1	1	1	1				

**P. Door-Half (UL)**  
**RH2-AAC-HD, RH3-AAC-HD**  
 K-0, L-5, N-5, N-6, P-5, P-6, Q-5



Title: <b>P. Door-Half (UL)</b> Model: <b>RH2-AAC-HD, RH3-AAC-HD</b>										
Index No.	Description	Material or Model Number	Part Number	Required Number						
				K-0	L-5 to Q-5					
1	Door – Prefoam (UL)	-	1A0323G02	1	-					
			1A0323G04		1					
2	Lock – Tumbler	M4-5813-001	<a href="#">4A0462-01</a>	1	1					
3	Lock – Stop Washer	M5-8060-103	<a href="#">4A0458-01</a>	1	1					
4	Cam – Door Lock	P.S	<a href="#">4A0228-01</a>	1	1					
5	Lock – Screw	SS	<a href="#">4A0461-01</a>	1	1					
6	Gasket – Door (Half)	JARROW #P-2209 244A GRAY	<a href="#">3A0273-02</a>	1	1					
7	Lock Washer	SS	<a href="#">4A0459-01</a>	1	1					
8	Lock – Key	M5-0680-111	<a href="#">4A0460-01</a>	1	1					
9	Washer – Door Lock	SS	<a href="#">4A0670-01</a>	1	1					
10	Hinge – Spring		<a href="#">4A3312-02</a>	1	1					
11	Hinge – Spring Cart		<a href="#">4A0438-02</a>	1	1					

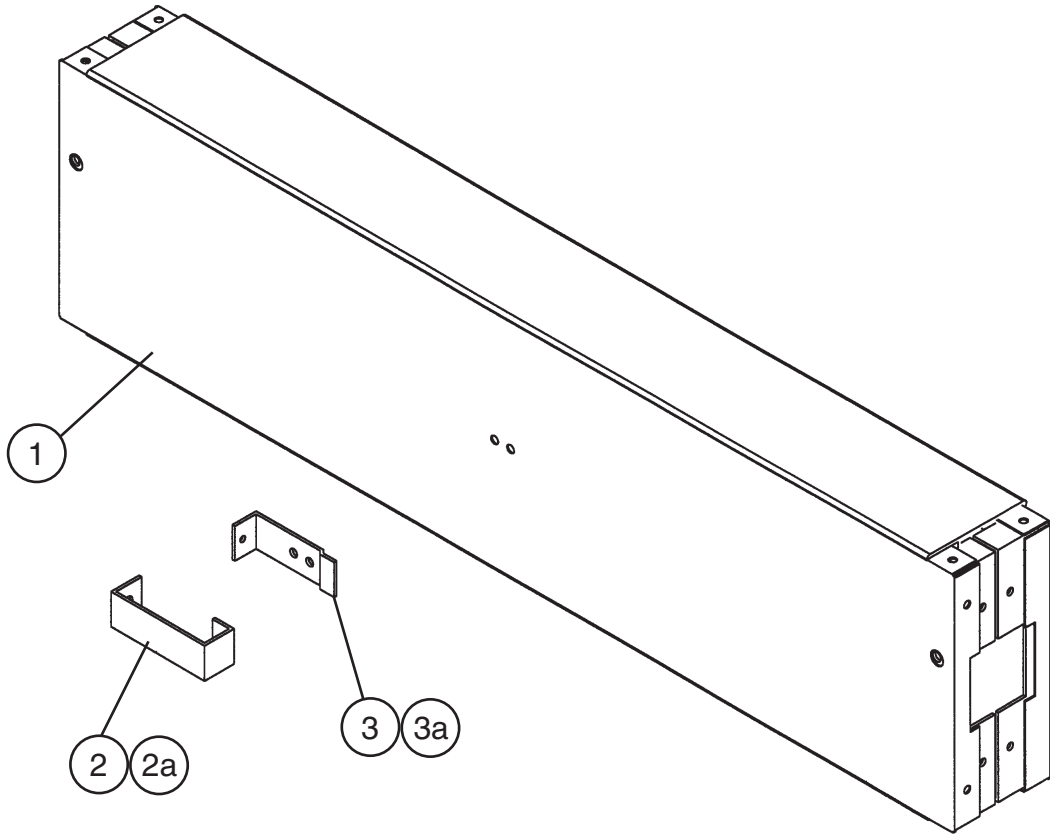
**Q. Door-Half (LL)**  
**RH2-AAC-HD, RH3-AAC-HD**  
 K-0, L-5, N-5, N-6, P-5, P-6, Q-5



Title: Q. Door-Half (LL) Model: RH2-AAC-HD, RH3-AAC-HD											
Index No.	Description	Material or Model Number	Part Number	Required Number							
				K-0	L-5 to Q-5						
1	Door – Prefoam (LL)	-	1A0325G02	1	-						
			1A0325G04		1						
2	Lock – Tumbler	M4-5813-001	4A0462-01	1	1						
3	Lock – Stop Washer	M5-8060-103	4A0458-01	1	1						
4	Cam – Door Lock	P.S	4A0228-01	1	1						
5	Lock – Screw	SS	4A0461-01	1	1						
6	Gasket – Door (Half)	JARROW #P-2209 244A GRAY	3A0273-02	1	1						
7	Lock Washer	SS	4A0459-01	1	1						
8	Lock – Key	M5-0680-111	4A0460-01	1	1						
9	Washer – Door Lock	SS	4A0670-01	1	1						
10	Hinge – Spring	-	4A3312-02	1	1						
11	Hinge – Spring Cart		4A0438-02	1	1						

**R. Mullion-Horizontal  
RH1-AAC-HD**

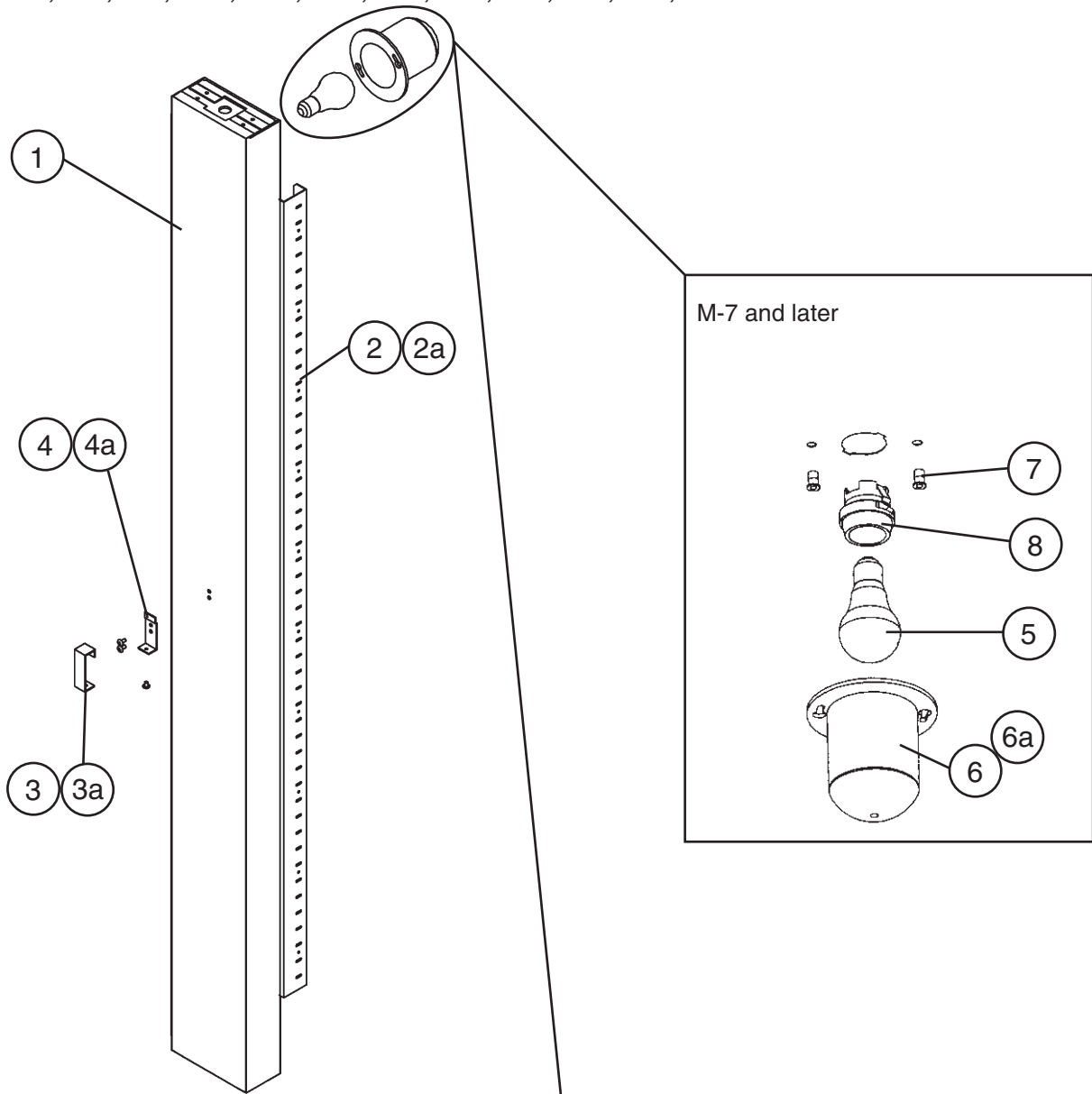
K-0, K-1, L-0, L-5, M-5, N-6, P-5, P-6, Q-5



Title: R. Mullion-Horizontal Model: RH1-AAC-HD					Required Number							
Index No.	Description	Material or Model Number	Part Number	K-0 to Q-5								
1	Mullion – Prefoam (H)	-	2A1313G02	1								
2	Plate – Strike (Front)	SS	4A0355-01	1								
2a	Truss Head Screw	4x8, SS	7C32-0408	1								
3	Plate – Strike (Base)	SS	4A0354-01	1								
3a	T2 Screw	4x8, SS	7P32-0408	2								

## S. Mullion-Vertical RH2-AAC, RH3-AAC

K-0, L-0, L-5, M-5, M-6, M-7, N-5, N-6, P-5, P-6, P-7, Q-5

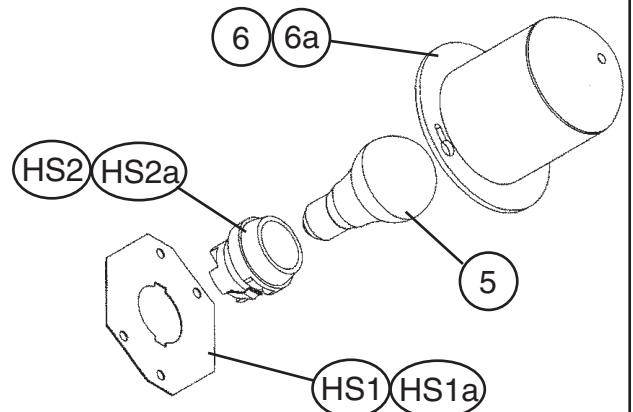


### M-6 and earlier

The santoprene light socket was changed to a porcelain lampholder at M-7. This change is non-interchangeable. If the light socket is not operating on a unit with a santoprene light socket, Hoshizaki recommends replacement with [HS-3554](#).

#### Note:

Parts 5, 6 and 6a are not included in HS-3554; they are shown for reference only.



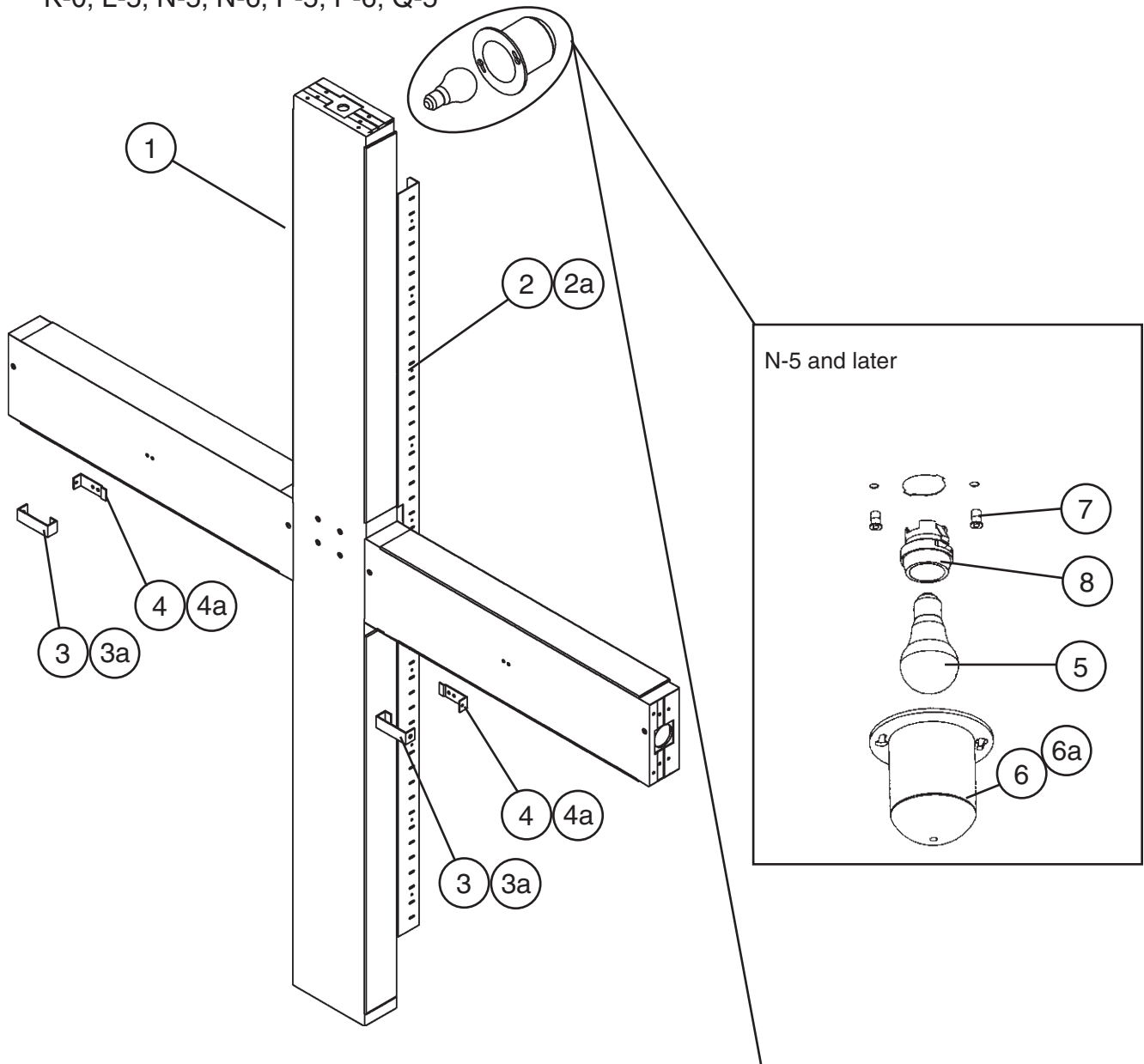
Title: <b>S. Mullion-Vertical</b> Model: <b>RH2-AAC, RH3-AAC</b>											
Index No.	Description	Material or Model Number	Part Number	Required Number							
				K-0 to L-5	M-5 M-6	M-7 to P-6	P-7 Q-5				
1	Mullion – Prefoam	-	2A1288G03	1	1	1					
2	Pilaster – Mullion	AL	2A0205-21	2	2	2	-				
			2A3246-21				2				
2a	Truss Head Screw	5x10, SS	7C32-0510	6	6	6	6				
3	Plate – Strike (Front)	SS	4A0355-01	1	1	1	1				
3a	Truss Head Screw	4x8, SS	7C32-0408	1	1	1	1				
4	Plate – Strike (Base)	SS	4A0354-01	1	1	1	1				
4a	T2 Screw	4x8, SS	7P32-0408	2	2	2	2				
5	Bulb – Light	GE, 40A15	4A0437-01	1	-						
		-	4A2420-01		1	1	1				
6	Shield – Light	2778-1010-3000	4A0465-01	1	1	1	1				
6a	Cheese Head Screw	5x12, SS	7C52-0512	2	2	2	2				
6b	Washer	8, SS	7W22-0800	2	2	-					
7	Threaded Insert (Wide)		4A0839-01	Non-interchangeable part change. If light socket is not operating for these codes, Hoshizaki recommends replacement with <a href="#">HS-3554</a> (below).		2	2				
8	Lampholder	-	4A2862-01			1	1				

<a href="#">HS-3554-Lampholder Conversion Kit</a>											
Index No.	Description	Material or Model Number	Part Number	Required Number							
				M-6 and earlier							
HS1	Plate – Lampholder Mount	SS	4A2880-01	1							
HS1a	Cheese Head Screw	SS	7C52-0512	2							
HS2	Lampholder		4A2862-01	1							
HS2a	Terminal – Flag	DNFR18-250FIBK	8101-18FJ	2							

## T. Mullion-Cross

### RH2-AAC-HD, RH3-AAC-HD

K-0, L-5, N-5, N-6, P-5, P-6, Q-5

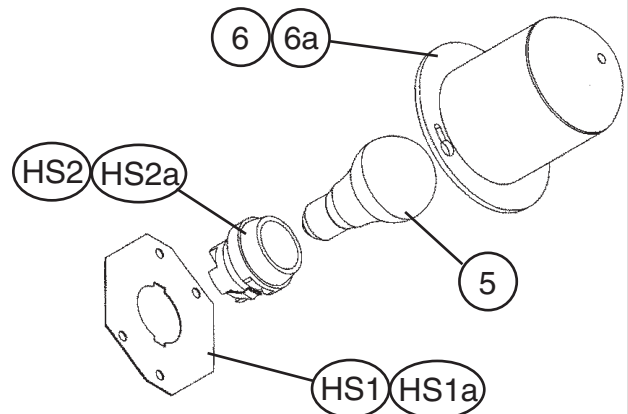


#### L-5 and earlier

The santoprene light socket was changed to a porcelain lampholder at N-5. This change is non-interchangeable. If the light socket is not operating on a unit with a santoprene light socket, Hoshizaki recommends replacement with [HS-3554](#).

#### Note:

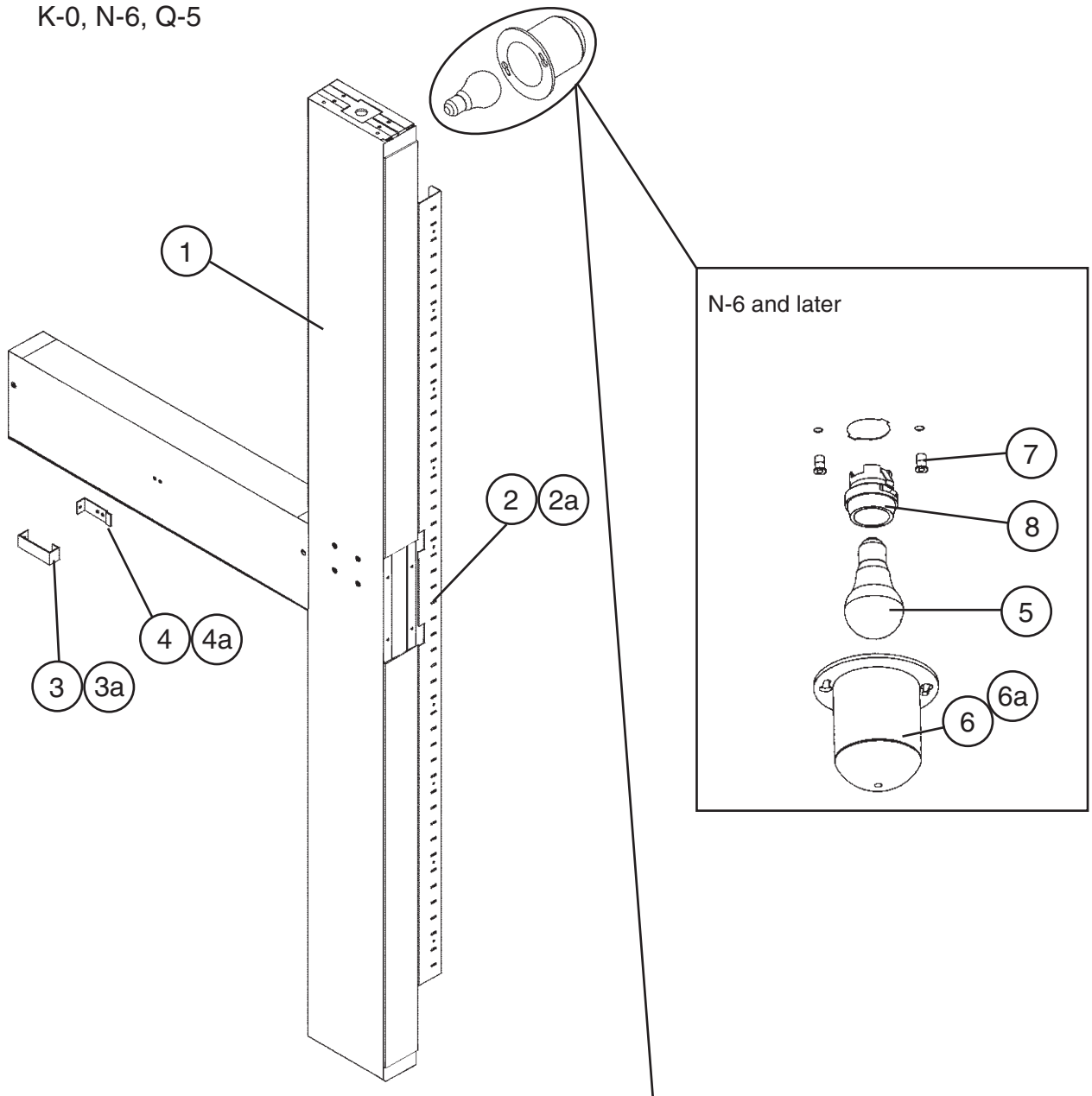
Parts 5, 6 and 6a are not included in HS-3554; they are shown for reference only.



Title: <b>T. Mullion-Cross</b> Model: <b>RH2-AAC-HD, RH3-AAC-HD</b>												
Index No.	Description	Material or Model Number	Part Number	Required Number								
				K-0	L-5	N-5 to P-6	Q-5					
1	Mullion – Prefoam	-	2A1351G02	1	1	1	1					
2	Pilaster – Mullion	AL	2A0205-21	2	2	2	-					
			2A3246-21				2					
2a	Truss Head Screw	5x12, SS	7C32-0512	6	6	6	6					
3	Plate – Strike (Front)	SS	4A0355-01	2	2	2	2					
3a	Truss Head Screw	4x8, SS	7C32-0408	2	2	2	2					
4	Plate – Strike (Base)	SS	4A0354-01	2	2	2	2					
4a	T2 Screw	4x8, SS	7P32-0408	4	4	4	4					
5	Bulb – Light	GE, 40A15	4A0437-01	1	-							
		-	4A2420-01		1	1	1					
6	Shield – Light	2778-1010-3000	4A0465-01	1	1	1	1					
6a	Cheese Head Screw	5x12, SS	7C52-0512	2	2	2	2					
6b	Washer	8, SS	7W22-0800	2	2	-	-					
7	Threaded Insert (Wide)		4A0839-01	Non-interchangeable part change. If light socket is not operating for these codes, Hoshizaki recommends replacement with <a href="#">HS-3554</a> (below).		2	2					
8	Lampholder	-	4A2862-01			1	1					

<a href="#">HS-3554-Lampholder Conversion Kit</a>												
Index No.	Description	Material or Model Number	Part Number	Required Number								
				L-5 and earlier								
HS1	Plate – Lampholder Mount	SS	4A2880-01	1								
HS1a	Cheese Head Screw	SS	7C52-0512	2								
HS2	Lampholder		4A2862-01	1								
HS2a	Terminal – Flag	DNFR18-250FIBK	8101-18FJ	2								

**U. Mullion-Tee**  
**RH3-AAC-HD**  
 K-0, N-6, Q-5

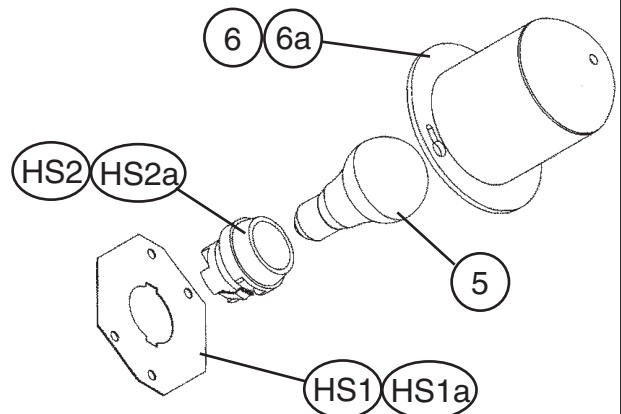


K-0

The santoprene light socket was changed to a porcelain lampholder at N-6. This change is non-interchangeable. If the light socket is not operating on a unit with a santoprene light socket, Hoshizaki recommends replacement with [HS-3554](#).

Note:

Parts 5, 6 and 6a are not included in HS-3554; they are shown for reference only.

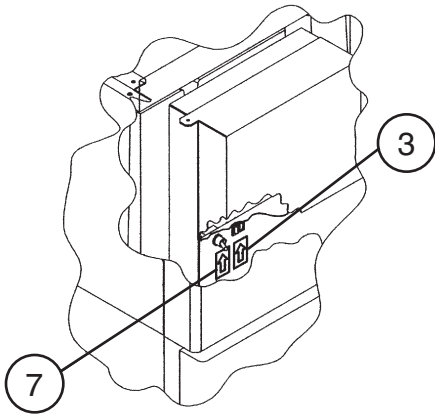
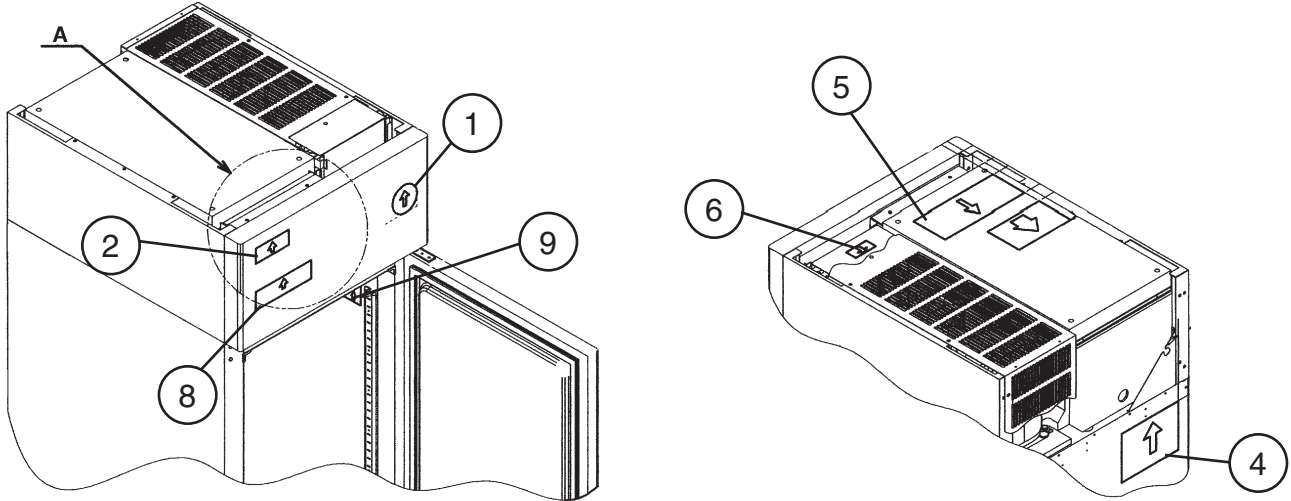


Title: <b>U. Mullion-Tee</b> Model: <b>RH3-AAC-HD</b>											
Index No.	Description	Material or Model Number	Part Number	Required Number							
				K-0	N-6	Q-5					
1	Mullion – Prefoam	-	2A1384G02	1	1	1					
2	Pilaster – Mullion	AL	2A0205-21	2	2	-					
			2A3246-21			2					
2a	Truss Head Screw	5x10, SS	7C32-0510	6	6	6					
3	Plate – Strike (Front)	SS	4A0355-01	1	1	1					
3a	Truss Head Screw	4x8, SS	7C32-0408	1	1	1					
4	Plate – Strike (Base)	SS	4A0354-01	1	1	1					
4a	T2 Screw	4x8, SS	7P32-0408	2	2	2					
5	Bulb – Light	GE, 40A15	4A0437-01	1	-						
		-	4A2420-01		1	1					
6	Shield – Light	2778-1010-3000	4A0465-01	1	1	1					
6a	Cheese Head Screw	5x12, SS	7C52-0512	2	2	2					
6b	Washer	8, SS	7W22-0800	2	-						
7	Threaded Insert (Wide)	-	4A0839-01	Non-interchangeable part change. If light socket is not operating for these codes, Hoshizaki recommends replacement with <a href="#">HS-3554</a> (below).	2	2					
8	Lampholder	-	4A2862-01		1	1					

<a href="#">HS-3554</a> -Lampholder Conversion Kit											
Index No.	Description	Material or Model Number	Part Number	Required Number							
				K-0							
HS1	Plate – Lampholder Mount	SS	4A2880-01	1							
HS1a	Cheese Head Screw	SS	7C52-0512	2							
HS2	Lampholder		4A2862-01	1							
HS2a	Terminal – Flag	DNFR18-250FIBK	8101-18FJ	2							

## V. Label Location RH1-AAC(-HD)

K-0, K-1, L-0, L-5, M-5, M-6, M-7, N-5, N-6, P-5, P-6, P-7, Q-5

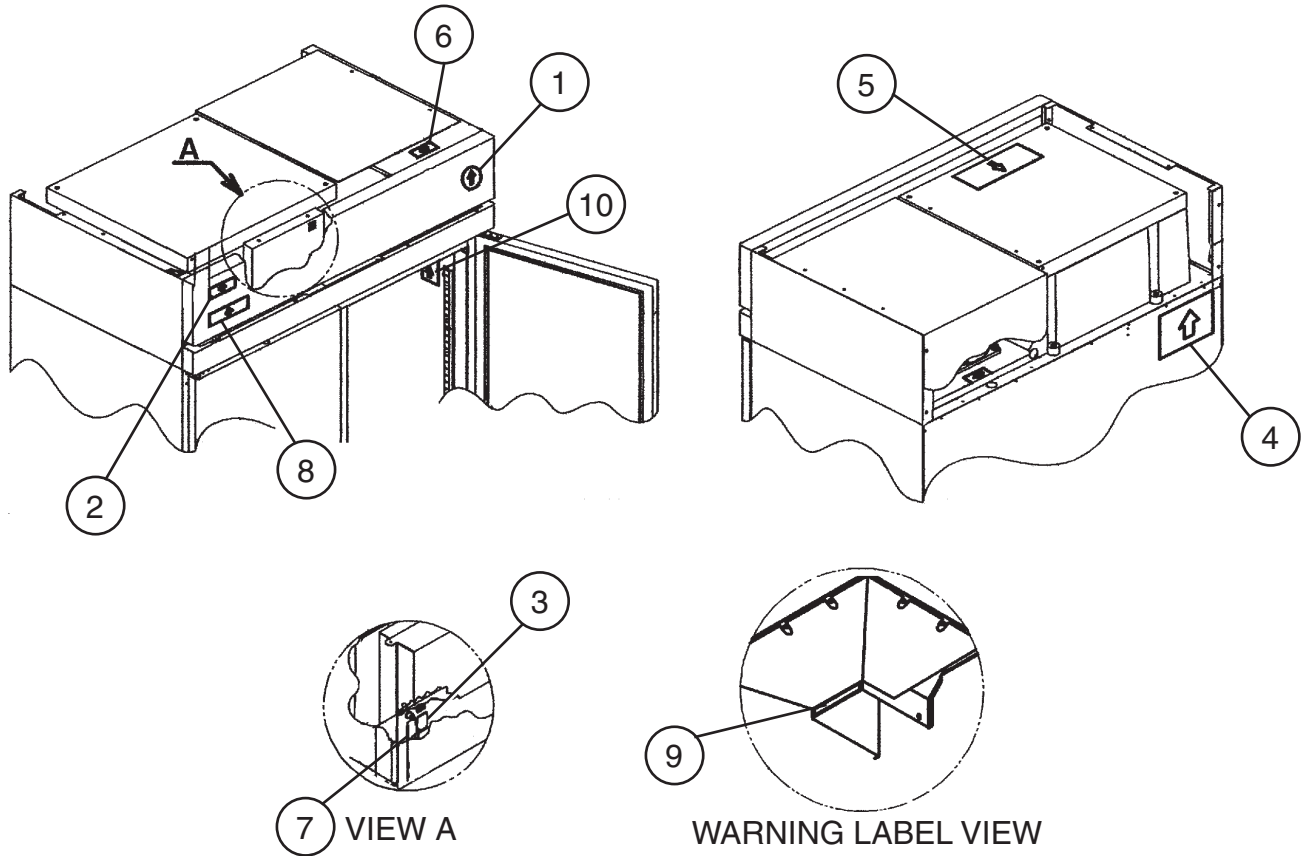


**VIEW A**

Title: V. Label Location Model: RH1-AAC(-HD)					Required Number								
Index No.	Description	Material or Model Number	Part Number	K-0 to Q-5									
1	Label – Penguin HA (L)	-	<a href="#">4A0526-02</a>	1									
2	Emblem – Hoshizaki	-	<a href="#">4A0560-01</a>	1									
3	Label – Door Heater Switch	PVC FILM	<a href="#">4A1039-01</a>	1									
4	Caution Label	PVC FILM	<a href="#">4A1931-01</a>	1									
5	Wiring Diagram	PVC FILM	<a href="#">2A2350-01</a>	1									
6	Label – R134a	-	<a href="#">444463-01</a>	1									
7	Label – Power	-	<a href="#">4A2196-01</a>	1									
8	Label – Display	-	<a href="#">4A2198-01</a>	1									
9	Cover – Nameplate	-	<a href="#">4A3727-01</a>	1									

## V. Label Location RH2-AAC(-HD)

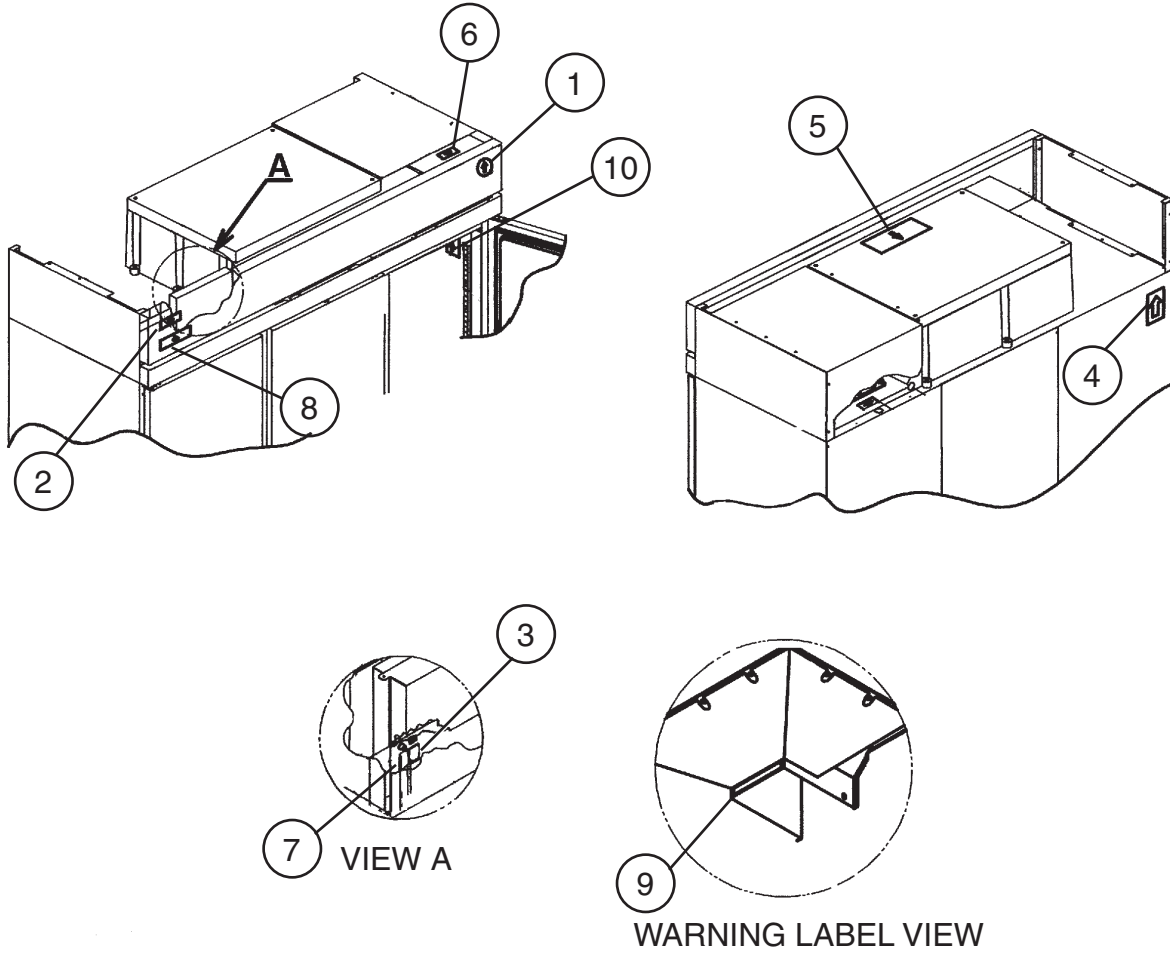
K-0, L-5, M-5, M-6, M-7, N-5, N-6, P-5, P-6, P-7, Q-5



Title: V. Label Location Model: RH2-AAC(-HD)					Required Number								
Index No.	Description	Material or Model Number	Part Number	K-0 to Q-5									
1	Label – Penguin-ha(L)	-	4A0526-02	1									
2	Emblem – Hoshizaki	-	4A0560-01	1									
3	Label – Door Heater Switch	PVC FILM	4A1039-01	1									
4	Caution Label	PVC FILM	4A1931-01	1									
5	Wiring Diagram	PVC FILM	2A2352-01	1									
6	Label – R134a	-	444463-01	1									
7	Label – Power	-	4A2196-01	1									
8	Label – Display	-	4A2198-01	1									
9	Label – Warning	-	4A2968-01	1									
10	Cover – Nameplate	-	4A3727-01	1									

## V. Label Location RH3-AAC(-HD)

K-0, L-0, L-5, M-5, M-6, M-7, N-5, N-6, P-5, Q-5



Title: V. Label Location Model: RH3-AAC(-HD)					Required Number								
Index No.	Description	Material or Model Number	Part Number	K-0 to N-6									
1	Label – Penguin HA (L)	-	<a href="#">4A0526-02</a>	1									
2	Emblem – Hoshizaki	-	<a href="#">4A0560-01</a>	1									
3	Label – Door Heater Switch	PVC FILM	<a href="#">4A1039-01</a>	1									
4	Caution Label	PVC FILM	<a href="#">4A1931-01</a>	1									
5	Wiring Diagram	PVC FILM	<a href="#">2A2354-01</a>	1									
6	Label – R134a	-	<a href="#">444463-01</a>	1									
7	Label – Power	-	<a href="#">4A2196-01</a>	1									
8	Label – Display	-	<a href="#">4A2198-01</a>	1									
9	Label – Warning	-	<a href="#">4A2968-01</a>	1									
10	Cover – Nameplate	-	<a href="#">4A3727-01</a>	1									

## W. Literature & Packaging

### RH1-AAC(-HD), RH2-AAC(-HD), RH3-AAC(-HD)

K-0, K-1, L-0, L-5, M-5, M-6, M-7, N-5, N-6, P-5, P-6, P-7, Q-5

Title: <b>W. Literature &amp; Packaging</b> Model: <b>RH1-AAC(-HD), RH2-AAC(-HD), RH3-AAC(-HD)</b>												
Index No.	Description	Material or Model Number	Part Number	Required Number								
				K-0 to P-7	Q-5							
1	Instruction Manual	Paper	<a href="#">91A34010L</a>	1	1							
Packaging (available only for models currently in production)		<b>RH1-AAC</b>	1A0765A04	1	1							
		<b>RH1-AAC-HD</b>	1A0765A05	1	1							
		<b>RH2-AAC</b>	<a href="#">1A0766A06</a>	1	1							
		<b>RH2-AAC-HD</b>	1A0766A07	1	1							
		<b>RH3-AAC</b>	1A0767A06	1	1							
		<b>RH3-AAC-HD</b>	1A0767A07	1	1							
1	Filler – Door		<a href="#">4A2977-01</a>	2	2							
2	Pad – Corner		<a href="#">3A2598-01</a>	4	4							
3	Post – Corner		<a href="#">3A2603-01</a>	4	4							
4	Support – Corner		<a href="#">3A2596-01</a>	4	4							
5	T2 Screw	4x8, SS	<a href="#">7P32-0408</a>	4	4							
6	Bracket (A) – Overflow Pan		<a href="#">4A0878-01</a>	1	1							
7	Bracket (B) – Overflow Pan		<a href="#">4A0879-01</a>	1	1							
8	Pan – Overflow		<a href="#">4A2081-01</a>	1	-							
			<a href="#">4A3419G01</a>		1							
9	Stop – Door		<a href="#">4A1873-01</a>	1	1							
10	Flat Washer		<a href="#">7W2115800</a>	4	4							
11	Hex Head Bolt		7B01 I5825	4	4							
12	Pallet		<a href="#">3A1814-01</a>	1	1							
13	Door Stop – Center	<b>Half-Door Models Only</b>	<a href="#">4A1874-01</a>	1	1							
14	Protector – Front	<b>RH2-AAC(-HD) RH3-AAC(-HD)</b>	<a href="#">3A2595-01</a>	1	1							