

# Hoshizaki America, Inc.

## Professional Series Refrigerated Kitchen Equipment

### Models

PTR2SSB-FGFG

PTR2SSB-HGHG

PTR2SSB-FSFS

PTR2SSB-HSHS



“A Superior Degree  
of Reliability”

[www.hoshizaki.com](http://www.hoshizaki.com)

## PARTS LIST



Number: 71282  
Issued: 3-31-2008  
Revised: 12-28-2015

## CONTENTS

Auxiliary Codes.....	3
Note About Ordering Parts .....	3
A. Main Assembly .....	4
B. Refrigeration Circuit.....	7
C. Control Box Assembly .....	9
D. Door-Left Hinged .....	10
Full Glass: PTR2SSB-FGFG .....	10
Half Glass: PTR2SSB-HGHG .....	12
Full Solid: PTR2SSB-FSFS .....	14
Half Solid: PTR2SSB-HSHS .....	16
E. Door-Right Hinged.....	18
Full Glass: PTR2SSB-FGFG .....	18
Half Glass: PTR2SSB-HGHG .....	20
Full Solid: PTR2SSB-FSFS .....	22
Half Solid: PTR2SSB-HSHS .....	24
F. Accessories & Labels.....	26

## **Auxiliary Codes**

### **PTR2SSB-FGFG**

U-5 March 2009

C-5 September 2013

D-5 March 2014

E-5 April 2015

### **PTR2SSB-HGHG**

T-5 March 2008

U-5 April 2009

B-5 April 2012

### **PTR2SSB-FSFS**

T-5 May 2008

T-6 September 2008

U-5 March 2009

### **PTR2SSB-HSHS**

S-5 July 2007

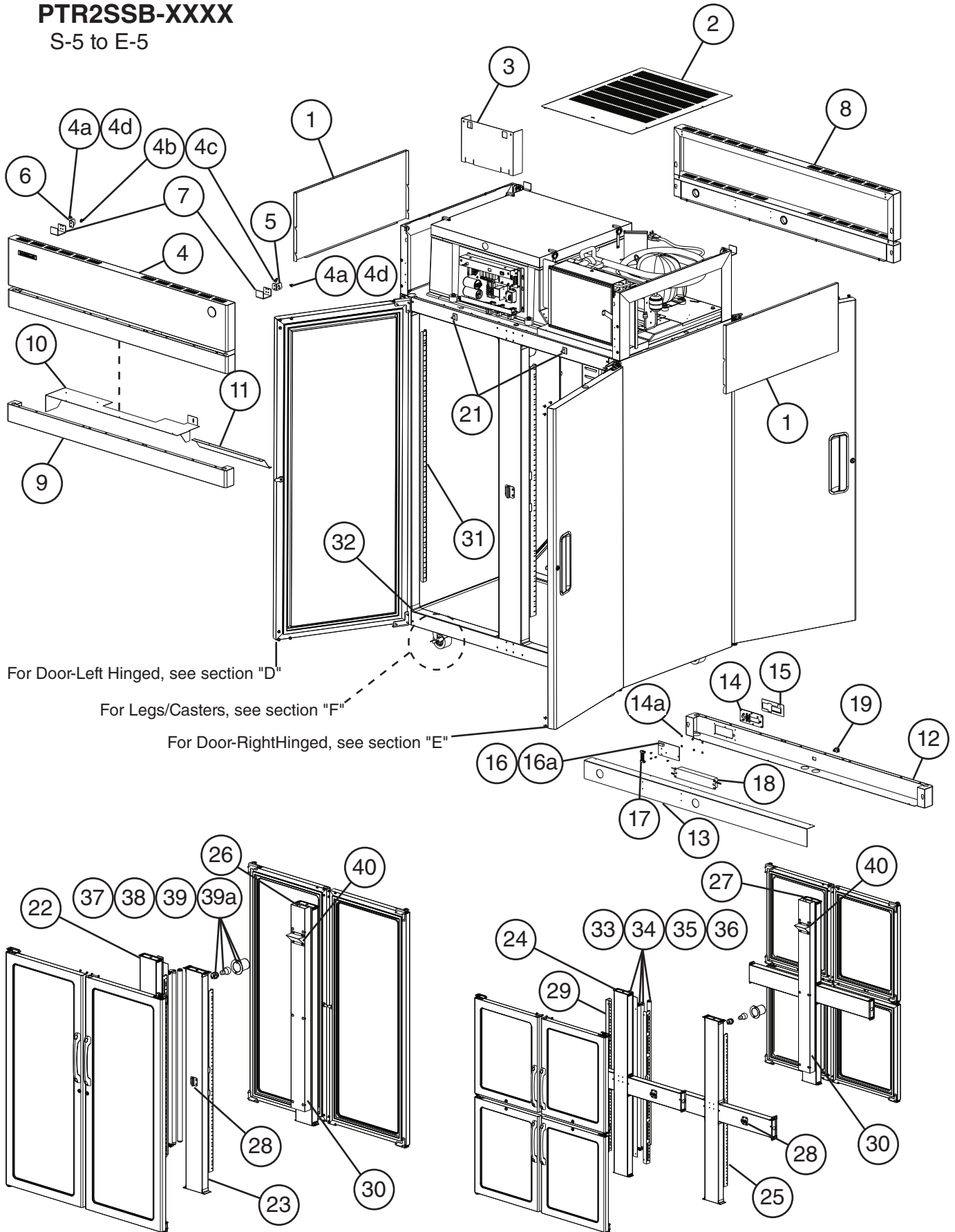
## **Auxiliary Code Breakdown**

The auxiliary code is the first two characters in the serial number. The first character indicates the year. Years progress or regress in alphabetical order. The series runs from "A" through "V" and the letters "I" and "O" are skipped. The second character indicates significant part changes within a year. Base is "5" and this number advances for each change.

## **Note About Ordering Parts**

Most assemblies cannot be ordered as complete units; parts in the assemblies generally must be ordered separately.

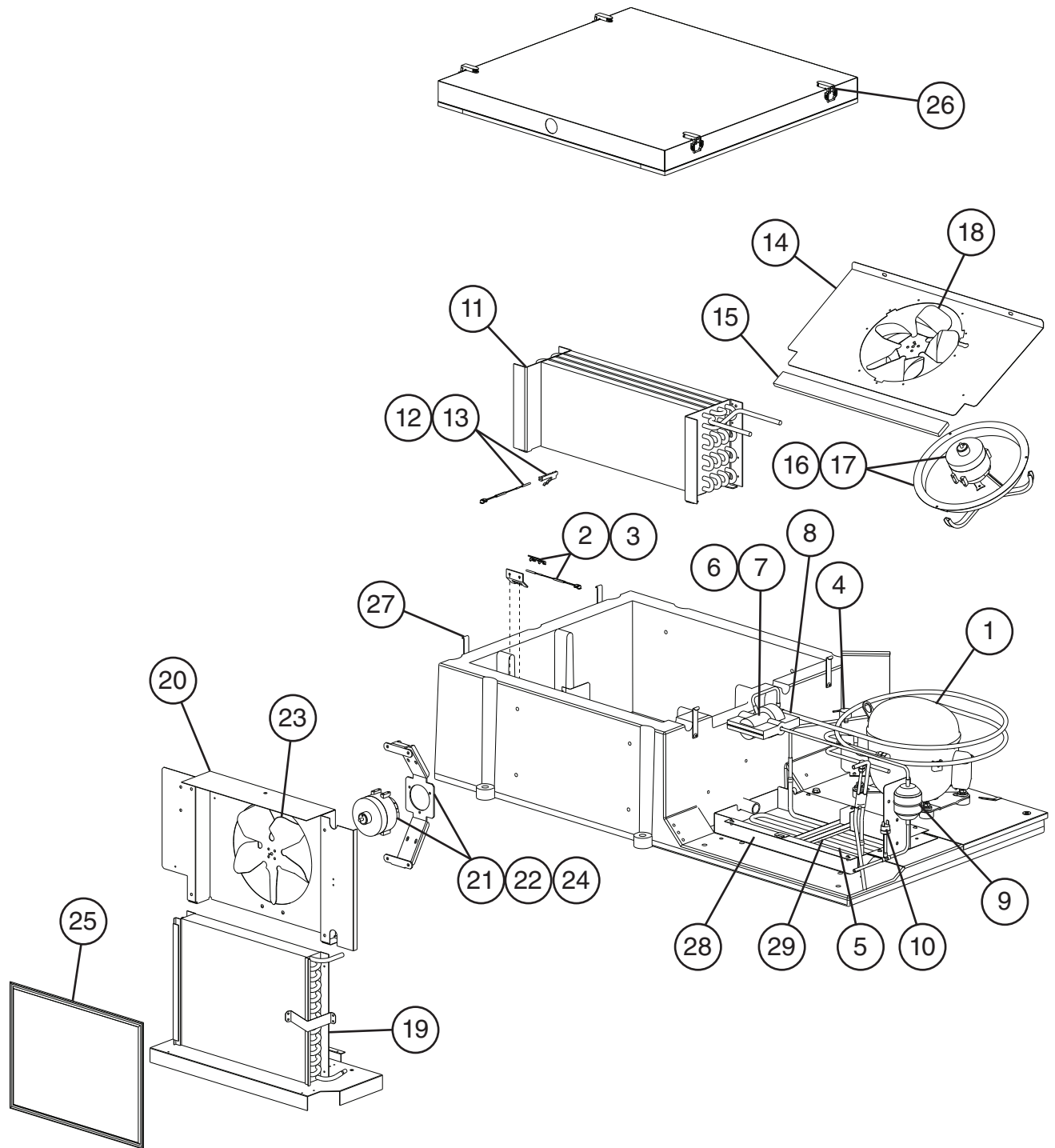
**A. Main Assembly**  
**PTR2SSB-XXXX**  
 S-5 to E-5



Title: A. Main Assembly Model: PTR2SSB-XXXX												
Index No.	Description	Material or Model Number	Part Number	S-5 to E-5	Required Number							
1	Side Panel		2A1800-01	2								
2	Top Cover		2A4056-01	1								
3	Control Box Cover		2A1031-01	1								
4	Front Hinged Panel		1A0624-08	1								
4a	Clevis Pin		8907-0102	4								
4b	Cotter Pin		8907-0103	4								
4c	Flat Washer		4A0665-03	4								
4d	Hinge Spacer		4A2473-01	4								
5	Front Panel Right Hinge		4A2154-01	2								
6	Front Panel Left Hinge		4A2153-01	2								
7	Hinge Channel		4A2170-01	4								
8	Rear Hinged Panel		1A0624-09	1								
9	Front Control Panel		1A0835-06	1								
10	Wire Cover A		2A2308-01	1								
11	Control Board Cover		3A1046-01	1								
12	Rear Control Panel	Solid Door	1A0835-01	1								
		Glass Door	1A0835-05	1								
13	Wire Cover B		3A4217-01	1								
14	Display Board		2A0883-01	1								
14a	Palnut		4A1398-01	6								
15	Display Label		3A5788-01	1								
16	Display Board Mount		3A0823-01	1								
16a	Nylon Screw		4A1397-01	4								
17	Ribbon Cable		4A1106-03	1								
18	Fluorescent Light Ballast	Glass Door	4A4350-01	1								
19	Fluorescent Light Power Switch		4A0418-01	1								
21	Door Switch	Full Door	3A1826-01	4								
		Half Door		8								
22	Front Vertical Mullion (includes items 28, 29, and 33-36)	Full Glass	2A4266G01	1								
23	Front Vertical Mullion (includes items 28, 29, and 37-39a)	Full Solid	2A2411G01	1								
24	Front Cross Mullion (includes items 28, 29, and 33-36)	Half Glass	2A4037G01	1								
25	Front Cross Mullion (includes items 28, 29, and 37-39a)	Half Solid	2A4254G01	1								
26	Rear Vertical Mullion (includes items 28 and 40)	Full Door	2A6217G01	1								
27	Rear Cross Mullion (includes items 28 and 40)	Half Door	2A6204G01	1								
28	Strike Plate	Full Door	4A4587-01	4								
		Half Door		8								
29	Mullion Pilaster	Full Door	2A3246-01	2								
		Half Door	2A3246-03	2								
30	Pilaster Bracket	Half Door	2A4049-01	2								
31	Pilaster		3A0145-01	6								

Title: A. Main Assembly    Model: PTR2SSB-XXXX											
Index No.	Description	Material or Model Number	Part Number	Required Number							
				S-5 to E-5							
32	Corner Cover	<b>Full Door</b>	<a href="#">3A1751-01</a>	16							
		<b>Half Door</b>		32							
33	Fluorescent Light Bracket	<b>Glass Door</b>	2A4192-01	1							
34	Fluorescent Lamp Mount		<a href="#">4A4346-01</a>	2							
35	Fluorescent Lamp		<a href="#">4A4347-01</a>	1							
36	Fluorescent Lamp Guard		<a href="#">4A4348-01</a>	1							
37	Incandescent Light Holder	<b>Solid Door</b>	<a href="#">4A2862-01</a>	1							
38	Incandescent Light Bulb		<a href="#">4A2420-01</a>	1							
39	Incandescent Light Shield		<a href="#">4A0465-01</a>	1							
39a	Cheese Head Screw		<a href="#">7C52-0512</a>	2							
40	Air Deflector		4A4286-01	1							

**B. Refrigeration Circuit**  
**PTR2SSB-XXXX**  
S-5 to E-5



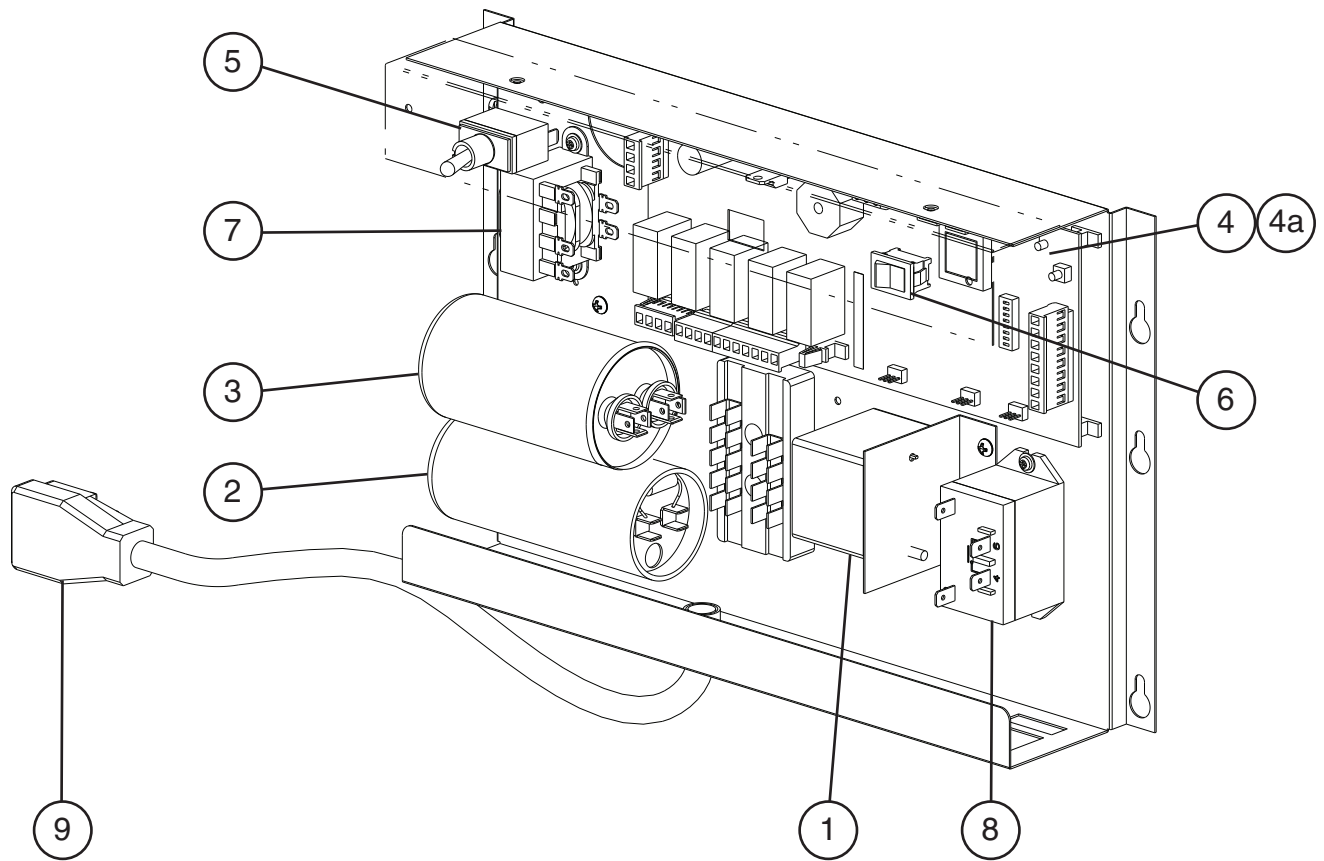
**Title: B. Refrigeration Circuit    Model: PTR2SSB-XXXX**

Index No.	Description	Material or Model Number	Part Number	Required Number									
				S-5 to U-5	B-5 to E-5								
1	Compressor		4A1820-01	1	-								
			4A4376-01		1								
2	Cabinet Thermistor		4A1429-01	1	1								
3	Thermistor Bracket		433920-01	1	1								
4	Clogged Filter Thermostat		4A0484-01	1	1								
5	Condensate Coil		2A1856-01	1	1								
6	Thermostatic Expansion Valve		4A2095-01	1	1								
7	Thermostatic Expansion Valve Cover		4A4646-02	1	1								
8	Thermostatic Expansion Valve Holder		3A0107-01	1	1								
9	Drier		4A0924-01	1	1								
10	High-Pressure Switch		4A2516-02	1	1								
11	Evaporator		2A1252-01	1	1								
12	Defrost Thermistor	L=2300 mm	4A1428-01	1	1								
13	Thermistor Clip		320418-01	1	1								
14	Evaporator Fan Shroud		1A1274-03	1	1								
15	Gasket-PVC	L=502 mm	4A0414L03	1	1								
16	Evaporator Fan Orifice		4A0412-01	1	1								
17	Evaporator Fan Motor		4A0413-01	1	-								
			4A4620-01		1								
18	Evaporator Fan Blade		3A0436-01	1	1								
19	Condenser		2A0638-01	1	-								
			2A0261-01		1								
20	Condenser Shroud		2A1491-01	1	-								
			2A1686-01		1								
21	Condenser Fan Motor		4A3158-01	1	-								
			4A4621-01		1								
22	Condenser Fan Motor Capacitor	5.0 MFD, 250VAC	443192-01	1	-								
23	Condenser Fan Blade		4A1865-01	1	-								
			3A0608-01		1								
24	Condenser Fan Motor Bracket		2A1668-01	1	-								
			3A1564-01		1								
25	Condenser Air Filter		3A0277-02	1	1								
26	Draw Latch		4A3988-01	4	4								
27	Catch-Latch		4A3987-01	4	4								
28	Evaporator Drain Pan		2A0200-03	1	1								
29	Condensate Coil Gasket		4A0455-01	1	1								

# C. Control Box Assembly

## PTR2SSB-XXXX

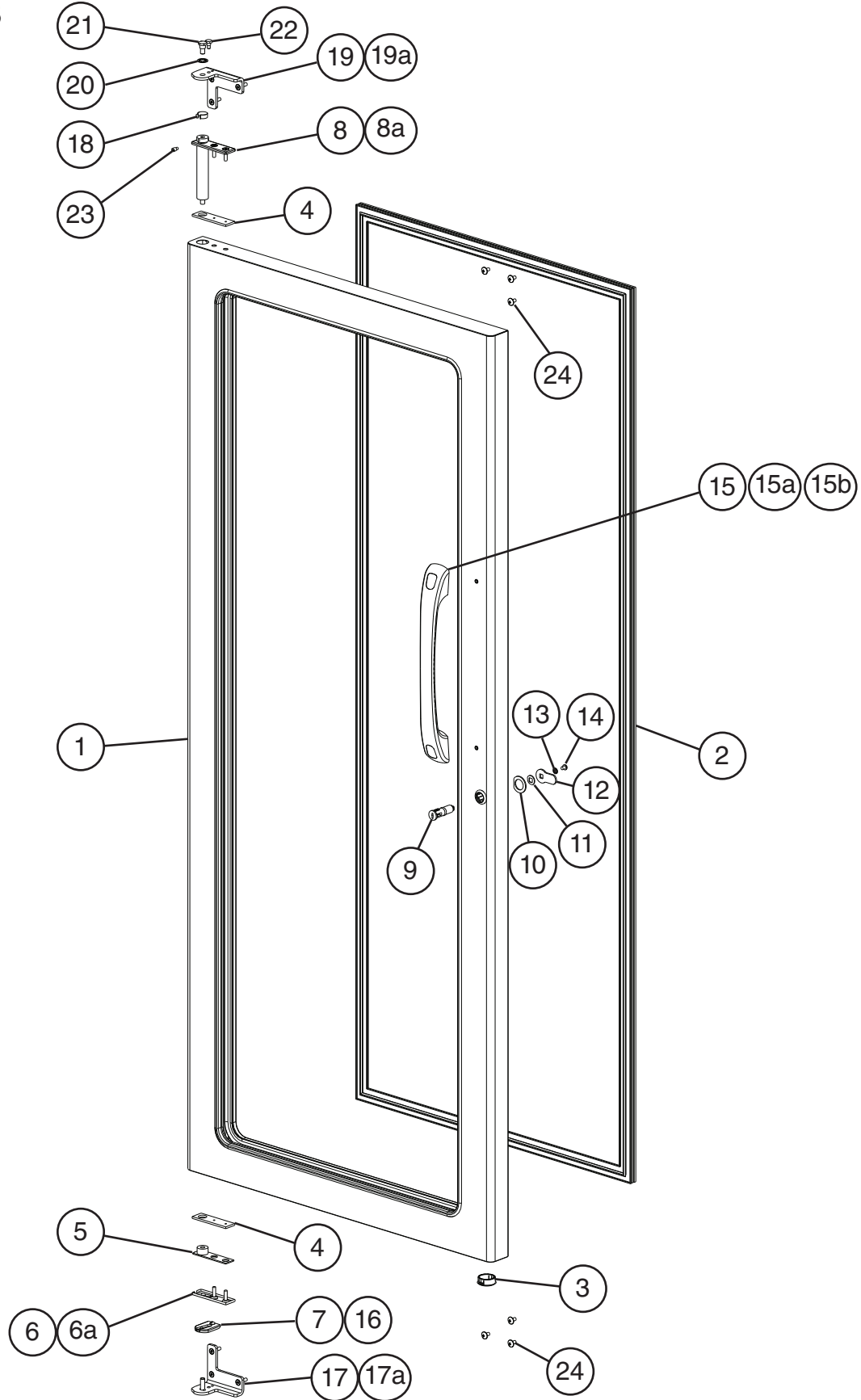
S-5 to E-5



Title: C. Control Box Assembly		Model: PTR2SSB-XXXX		Required Number										
Index No.	Description	Material or Model Number	Part Number	S-5 to U-5		C-5 to E-5								
1	Start Relay		4A1107-04	1	-									
			4A1107-11		1	1								
2	Start Capacitor	72-86MFD, 250VAC	3A0076-15	1	-									
		243-292MFD, 165VAC	3A0076-20		1	1								
3	Run Capacitor	25MFD, 370VAC	439943-02	1	-									
		35MFD, 440VAC	3A2005-12		1	1								
4	Control Board		2A2862-24	1	1	1								
4a	Control Board Support		4A0336-03	6	6	6								
5	Perimeter Heater Switch		4A0424-01	1	1	1								
6	Power Switch		4A0418-01	1	1	1								
7	Control Transformer		3A1759-01	1	1	1								
8	Compressor Relay		4A1307-01	1	1	-								
			4A3140-01			1								
9	Power Supply Cord		4A1543-01	1	1	1								

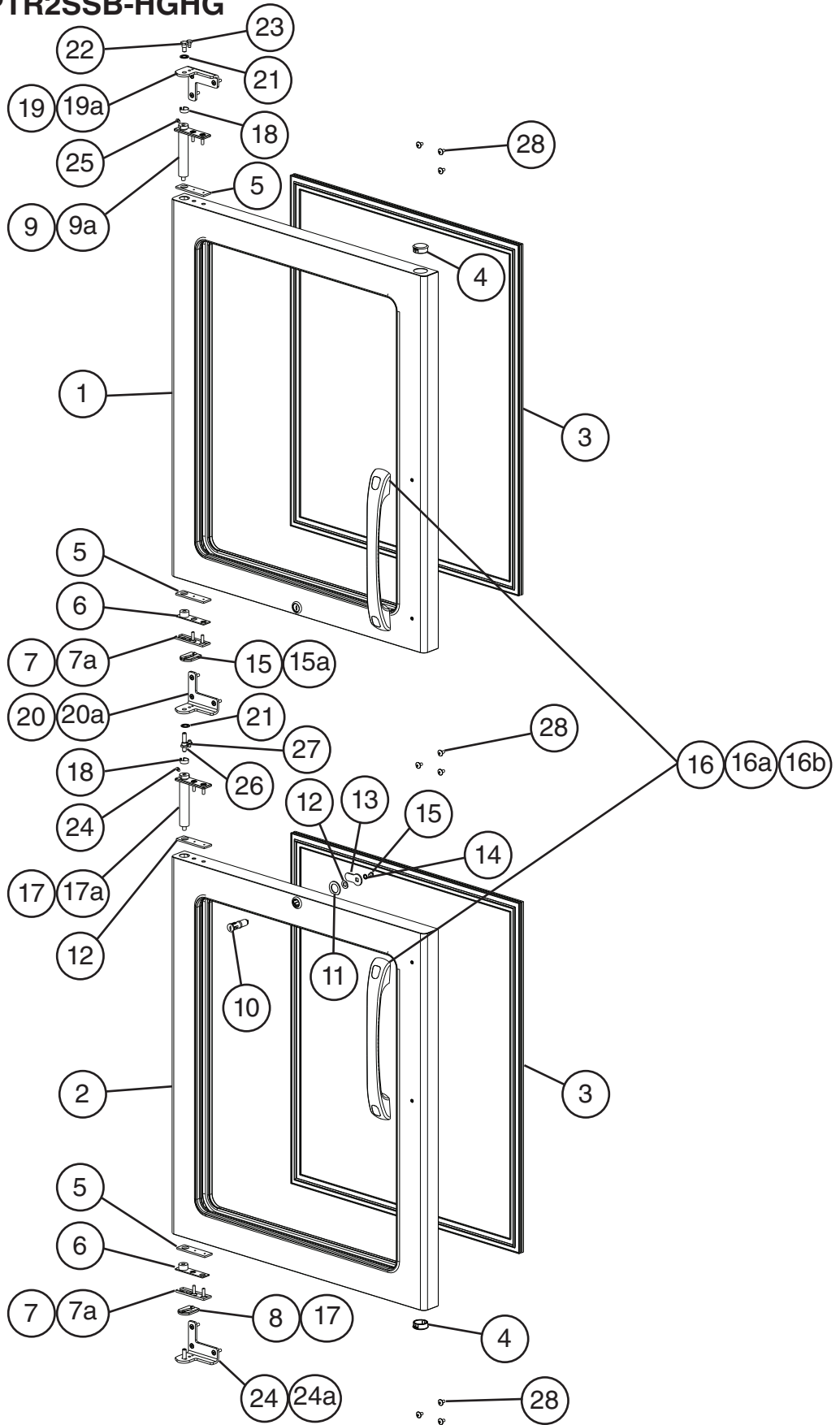
**D. Door-Left Hinged**  
**Full Glass: PTR2SSB-FGFG**

T-5 to E-5



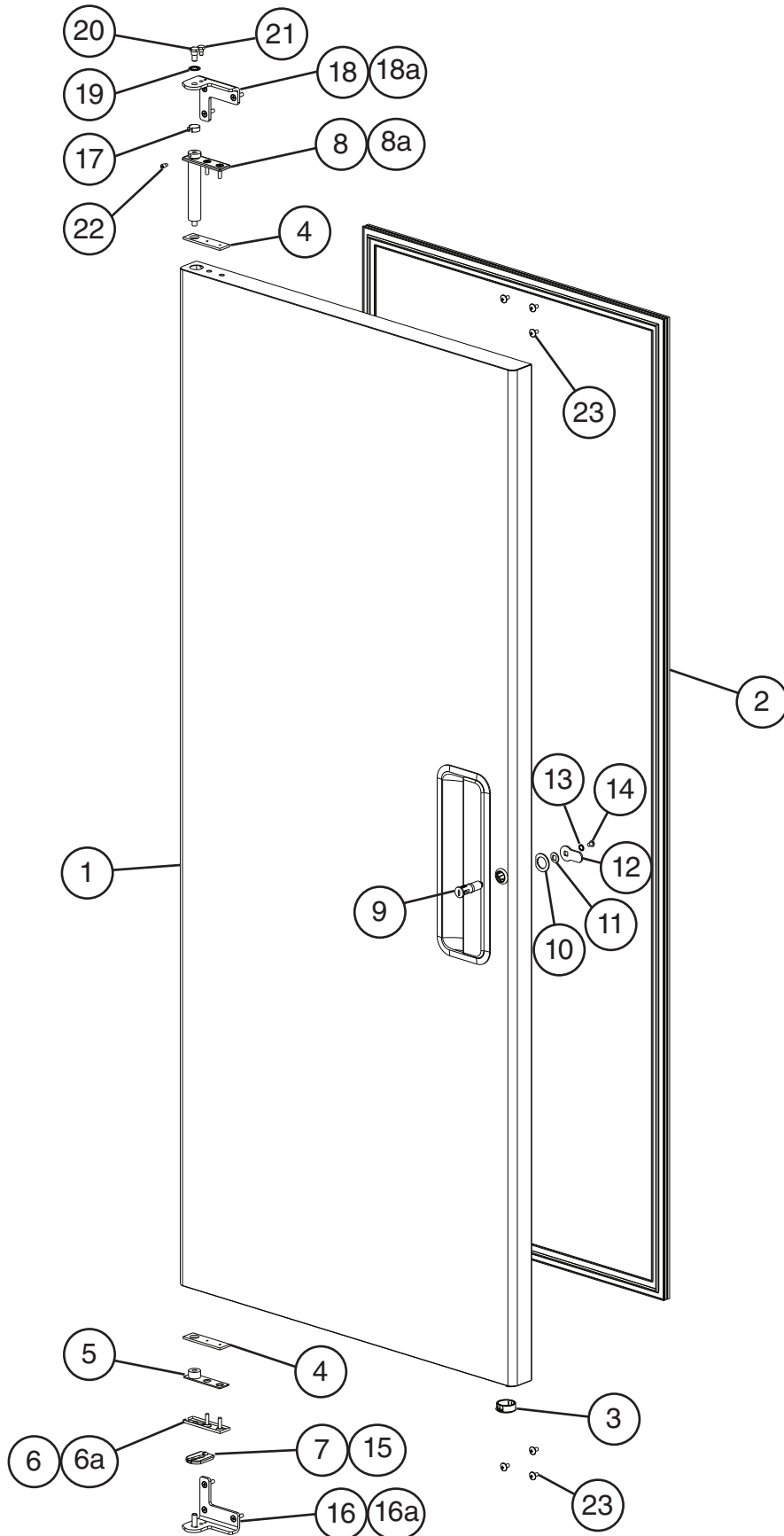
Title: D. Door-Left Hinged Model: Full Glass: PTR2SSB-FGFG												
Index No.	Description	Material or Model Number	Part Number	Required Number								
				T-5 to E-5								
1	Left Full Glass Door Subassy (includes items 2 through 7a)		2A4422G01	1								
2	Door Gasket		3A0273-01	1								
3	Locking Hole Plug		4A0586-06	1								
4	Foam Pad		4A2257-01	2								
5	Left Hinge Bottom Bushing		4A0439-02	1								
6	Male Left Hinge Bottom Plate		4A0440-02	1								
6a	Countersunk Screw	5x20, SS	7C42-0520	2								
7	Stop Plate Screw		4A0483-01	1								
8	Left Hinge Spring Cartridge		4A0438-02	1								
8a	Countersunk Screw	5x20, SS	7C42-0520	2								
9	Door Lock Tumbler (includes Key 4A0460-01)		4A0462-01	1								
10	Door Lock Washer		4A0670-01	1								
11	Door Lock Stop Washer		4A0458-01	1								
12	Door Lock Cam		4A0228-01	1								
13	Door Lock Lock Washer		4A0459-01	1								
14	Door Lock Screw		4A0461-01	1								
15	Handle		115365-01	1								
15a	Bolt Screw		449879-08	2								
15b	Handle Cap		360643-01	2								
16	Female Left Hinge Bottom Plate		4A0441-02	1								
17	Lower Left (LL) Door Hinge Bracket		3A1627-01	1								
17a	Countersunk Screw	5x20, SS	7C42-0520	3								
18	Hinge Bushing Cover		4A0445-01	1								
19	Upper Left (UL) Door Hinge Bracket		3A1581-01	1								
19a	Countersunk Screw	5x20, SS	7C42-0520	3								
20	Hinge Lock Washer		4A0553-01	1								
21	Top Hinge Pivot Pin		4A2179-01	1								
22	Hinge Stop Pin		4A2180-01	1								
23	Hinge Tension Screw		4A0446-01	1								
24	Truss Head Screw (filler)	5x10, SS	7C32-0510	6								

**D. Door-Left Hinged**  
**Half Glass: PTR2SSB-HGHG**  
 T-5 to B-5



Title: D Door-Left Hinged Model: Half Glass: PTR2SSB-HGHG												
Index No.	Description	Material or Model Number	Part Number	Required Number								
				T-5 to B-5								
1	UpperLeft/Lower Right Glass Door (includes half the quantities of items 3 through 9a)		2A4416G01	1								
2	Lower Left/Upper Right Glass Door (includes half the quantities of items 3 through 9a)		2A4417G01	1								
3	Door Gasket		3A0273-02	2								
4	Locking Hole Plug		4A0586-06	2								
5	Foam Pad		4A2257-01	4								
6	Left Hinge Bottom Bushing		4A0439-02	2								
7	Male Left Hinge Bottom Plate		4A0440-02	2								
7a	Countersunk Screw	5x20, SS	7C42-0520	4								
8	Stop Plate Screw		4A0483-01	2								
9	Left Hinge Spring Cartridge		4A0438-02	2								
9a	Countersunk Screw	5x20, SS	7C42-0520	4								
10	Door Lock Tumbler (includes Key 4A0460-01)		4A0462-01	2								
11	Door Lock Washer		4A0670-01	2								
12	Door Lock Stop Washer		4A0458-01	2								
13	Door Lock Cam		4A0228-01	2								
14	Door Lock Lock Washer		4A0459-01	2								
15	Door Lock Screw		4A0461-01	2								
16	Handle		115365-01	2								
16a	Bolt Screw		449879-08	4								
16b	Handle Cap		360643-01	4								
17	Female Left Hinge Bottom Plate		4A0441-02	2								
18	Upper Left (UL) Door Hinge Bracket		3A1581-01	1								
18a	Countersunk Screw	5x20, SS	7C42-0520	3								
19	Hinge Bushing Cover		4A0445-01	2								
20	Upper Right (UR) Door Hinge Bracket		3A1580-01	1								
20a	Countersunk Screw	5x20, SS	7C42-0520	3								
21	Hinge Lock Washer		4A0553-01	2								
22	Top Hinge Pivot Pin		4A2179-01	1								
23	Hinge Stop Pin		4A2180-01	1								
24	Lower Left (LL) Door Hinge Bracket		3A1627-01	1								
24a	Countersunk Screw	5x20, SS	7C42-0520	3								
25	Hinge Tension Screw		4A0446-01	2								
26	Bottom Hinge Pivot Pin		4A1735-01	1								
27	Bottom Hinge Stop Pin		4A1734-01	1								
28	Truss Head Screw (filler)	5x10, SS	7C32-0510	9								

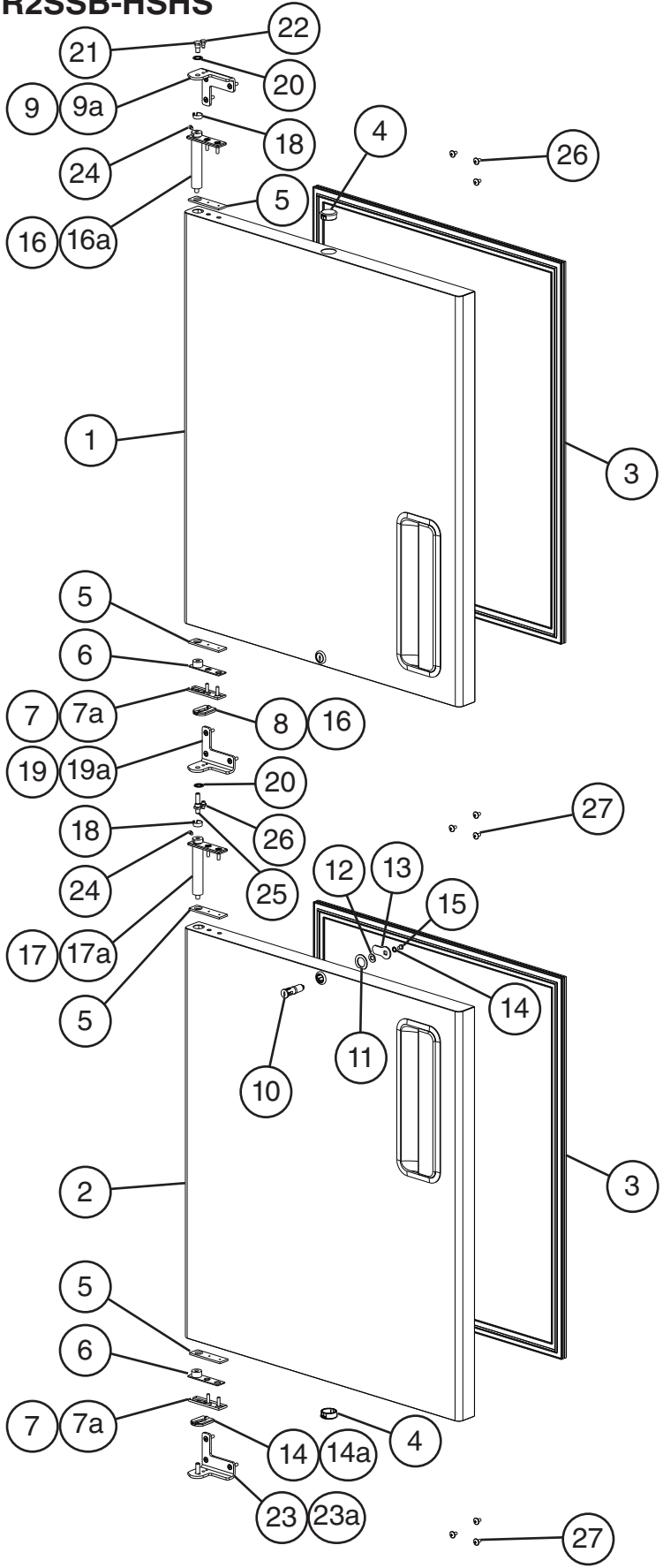
**D. Door-Left Hinged**  
**Full Solid: PTR2SSB-FSFS**  
 T-5 to U-5



Title: D. Door-Left Hinged Model: Full Solid: PTR2SSB-FSFS												
Index No.	Description	Material or Model Number	Part Number	Required Number								
				T-5 to U-5								
1	Left Full Solid Door Subassy (includes items 2 through 8)		2A3942G01	1								
2	Door Gasket		3A0273-01	1								
3	Locking Hole Plug		4A0586-06	1								
4	Foam Pad		4A2257-01	2								
5	Left Hinge Bottom Bushing		4A0439-02	1								
6	Male Left Hinge Bottom Plate		4A0440-02	1								
6a	Countersunk Screw	5x20, SS	7C42-0520	2								
7	Stop Plate Screw		4A0483-01	1								
8	Left Hinge Spring Cartridge		4A0438-02	1								
8a	Countersunk Screw	5x20, SS	7C42-0520	2								
9	Door Lock Tumbler (includes Key 4A0460-01)		4A0462-01	1								
10	Door Lock Washer		4A0670-01	1								
11	Door Lock Stop Washer		4A0458-01	1								
12	Door Lock Cam		4A0228-01	1								
13	Door Lock Lock Washer		4A0459-01	1								
14	Door Lock Screw		4A0461-01	1								
15	Female Left Hinge Bottom Plate		4A0441-02	1								
16	Lower Left (LL) Door Hinge Bracket		3A1627-01	1								
16a	Countersunk Screw	5x20, SS	7C42-0520	3								
17	Hinge Bushing Cover		4A0445-01	1								
18	Upper Left (UL) Door Hinge Bracket		3A1581-01	1								
18a	Countersunk Screw	5x20, SS	7C42-0520	3								
19	Hinge Lock Washer		4A0553-01	1								
20	Top Hinge Pivot Pin		4A2179-01	1								
21	Hinge Stop Pin		4A2180-01	1								
22	Hinge Tension Screw		4A0446-01	1								
23	Truss Head Screw (filler)	5x10, SS	7C32-0510	6								

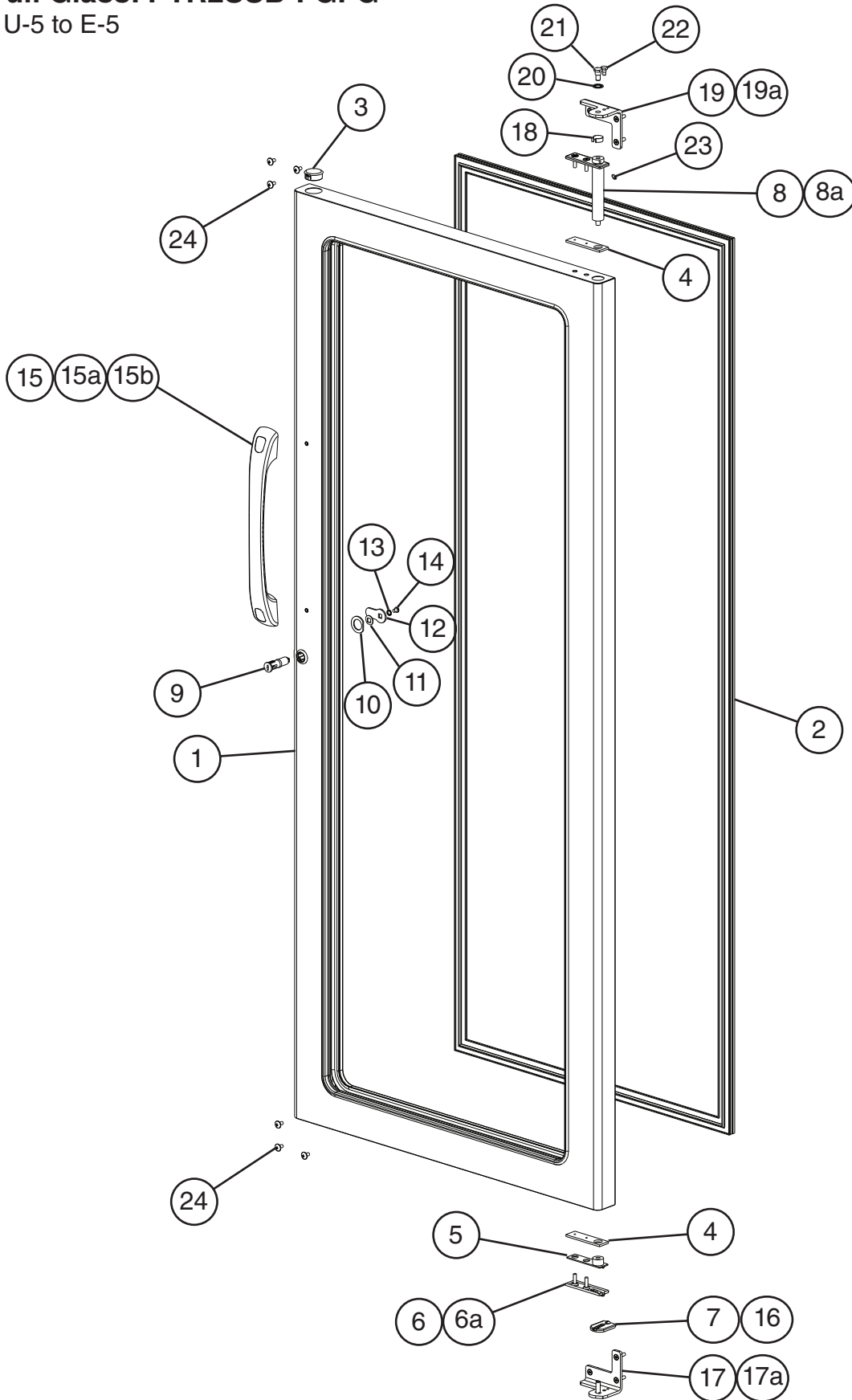
**D. Door-Left Hinged**  
**Half Solid: PTR2SSB-HSHS**

S-5



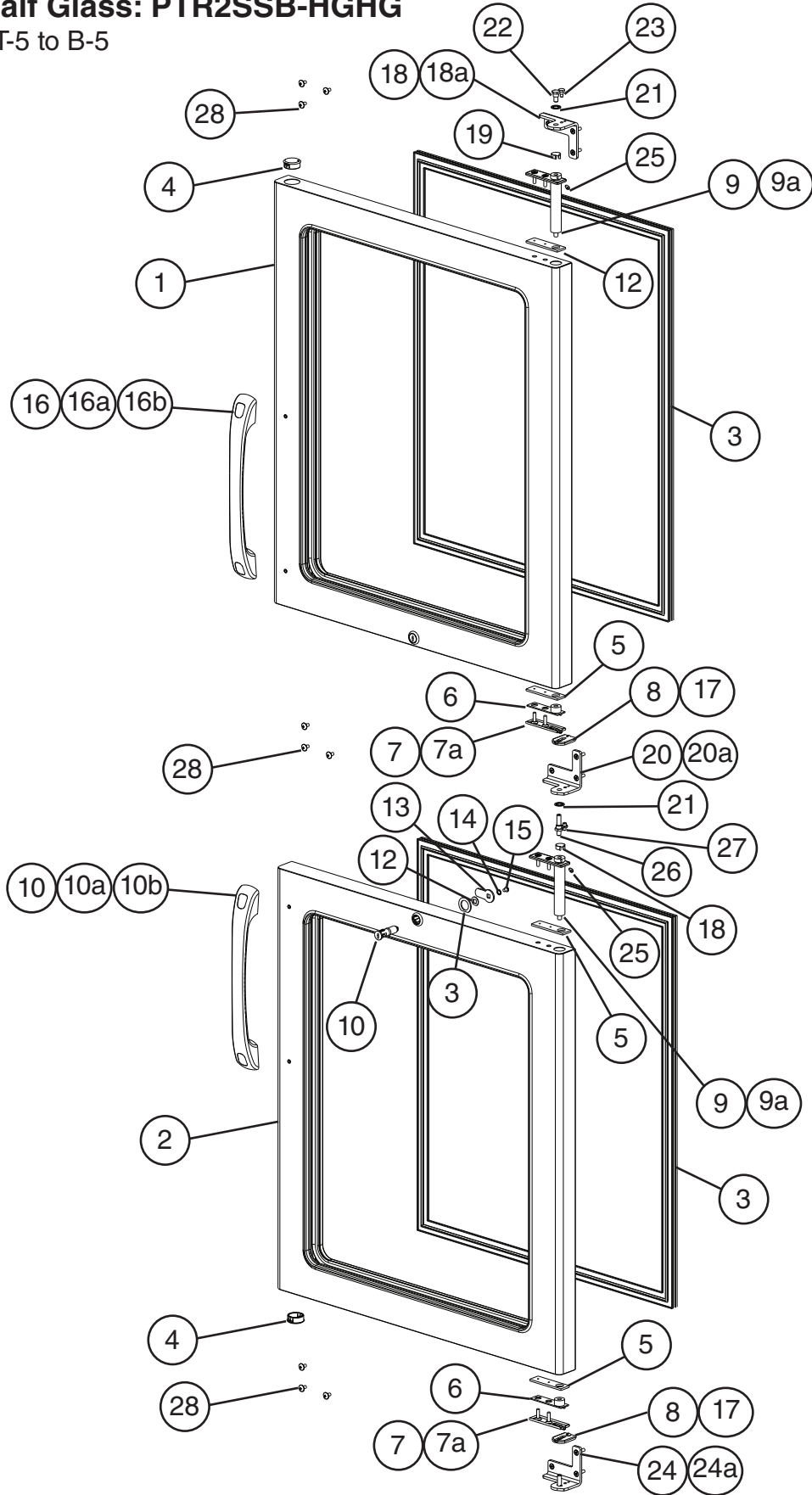
Title: D. Door-Left Hinged Model: Half Solid: PTR2SSB-HSHS												
Index No.	Description	Material or Model Number	Part Number	Required Number								
				S-5								
1	UpperLeft/Lower Right Solid Door (includes half the quantities of items 3 through 9a)		2A3937G01	1								
2	Lower Left/Upper Right Solid Door (includes half the quantities of items 3 through 9a)		2A3938G01	1								
3	Door Gasket		3A0273-02	2								
4	Locking Hole Plug		4A0586-06	2								
5	Foam Pad		4A2257-01	4								
6	Left Hinge Bottom Bushing		4A0439-02	2								
7	Male Left Hinge Bottom Plate		4A0440-02	2								
7a	Countersunk Screw	5x20, SS	7C42-0520	4								
8	Stop Plate Screw		4A0483-01	2								
9	Upper Left (UL) Door Hinge Bracket		3A1581-01	1								
9a	Countersunk Screw	5x20, SS	7C42-0520	9								
10	Door Lock Tumbler (includes Key 4A0460-01)		4A0462-01	2								
11	Door Lock Washer		4A0670-01	2								
12	Door Lock Stop Washer		4A0458-01	2								
13	Door Lock Cam		4A0228-01	2								
14	Door Lock Lock Washer		4A0459-01	2								
15	Door Lock Screw		4A0461-01	2								
16	Female Left Hinge Bottom Plate		4A0441-02	2								
17	Left Hinge Spring Cartridge		4A0438-02	2								
17a	Countersunk Screw	5x20, SS	7C42-0520	4								
18	Hinge Bushing Cover		4A0445-01	2								
19	Upper Right (UR) Door Hinge Bracket		3A1580-01	1								
19a	Countersunk Screw	5x20, SS	7C42-0520	9								
20	Hinge Lock Washer		4A0553-01	2								
21	Top Hinge Pivot Pin		4A2179-01	1								
22	Hinge Stop Pin		4A2180-01	1								
23	Lower Left (LL) Door Hinge Bracket		3A1627-01	1								
23a	Countersunk Screw	5x20, SS	7C42-0520	9								
24	Hinge Tension Screw		4A0446-01	2								
25	Pivot Pin		4A1735-01	1								
26	Stop Pin		4A1734-01	1								
27	Truss Head Screw (filler)	5x10, SS	7C32-0510	9								

**E. Door-Right Hinged**  
**Full Glass: PTR2SSB-FGFG**  
U-5 to E-5



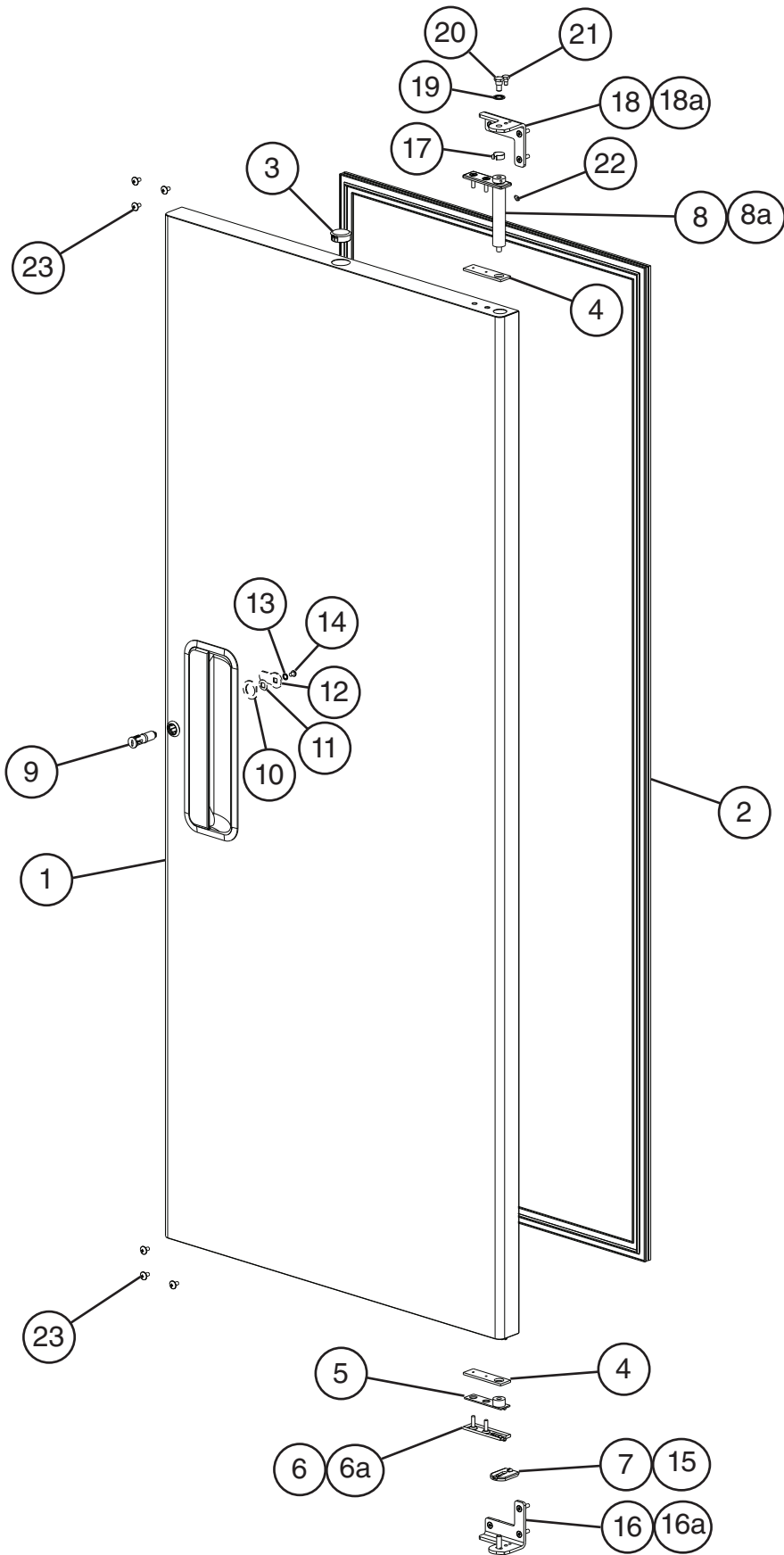
Title: E. Door-Right Hinged Model: Full Glass: PTR2SSB-FGFG											
Index No.	Description	Material or Model Number	Part Number	U-5 to E-5	Required Number						
1	Right Full Glass Door (includes items 2 through 7a)		2A4424G01	1							
2	Door Gasket		3A0273-01	1							
3	Locking Hole Plug		4A0586-06	1							
4	Foam Pad		4A2257-01	2							
5	Right Hinge Bottom Bushing		4A0439-01	1							
6	Male Right Hinge Bottom Plate		4A0440-01	1							
6a	Countersunk Screw	5x20, SS	7C42-0520	2							
7	Stop Plate Screw		4A0483-01	1							
8	Right Hinge Spring Cartridge		4A0438-01	1							
8a	Countersunk Screw	5x20, SS	7C42-0520	2							
9	Door Lock Tumbler (includes Key 4A0460-01)		4A0462-01	1							
10	Door Lock Washer		4A0670-01	1							
11	Door Lock Stop Washer		4A0458-01	1							
12	Door Lock Cam		4A0228-01	1							
13	Door Lock Lock Washer		4A0459-01	1							
14	Door Lock Screw		4A0461-01	1							
15	Handle		115365-01	1							
15a	Bolt Screw		449879-08	2							
15b	Handle Cap		360643-01	2							
16	Female Right Hinge Bottom Plate		4A0441-01	1							
17	Lower Right (LR) Door Hinge Bracket		3A1626-01	1							
17a	Countersunk Screw	5x20, SS	7C42-0520	3							
18	Hinge Bushing Cover		4A0445-01	1							
19	Upper Right (UR) Door Hinge Bracket		3A1580-01	1							
19a	Countersunk Screw	5x20, SS	7C42-0520	3							
20	Hinge Lock Washer		4A0553-01	1							
21	Top Hinge Pivot Pin		4A2179-01	1							
22	Hinge Stop Pin		4A2180-01	1							
23	Hinge Tension Screw		4A0446-01	1							
24	Truss Head Screw (filler)	5x10, SS	7C32-0510	6							

**E. Door-Right Hinged**  
**Half Glass: PTR2SSB-HGHG**  
 T-5 to B-5



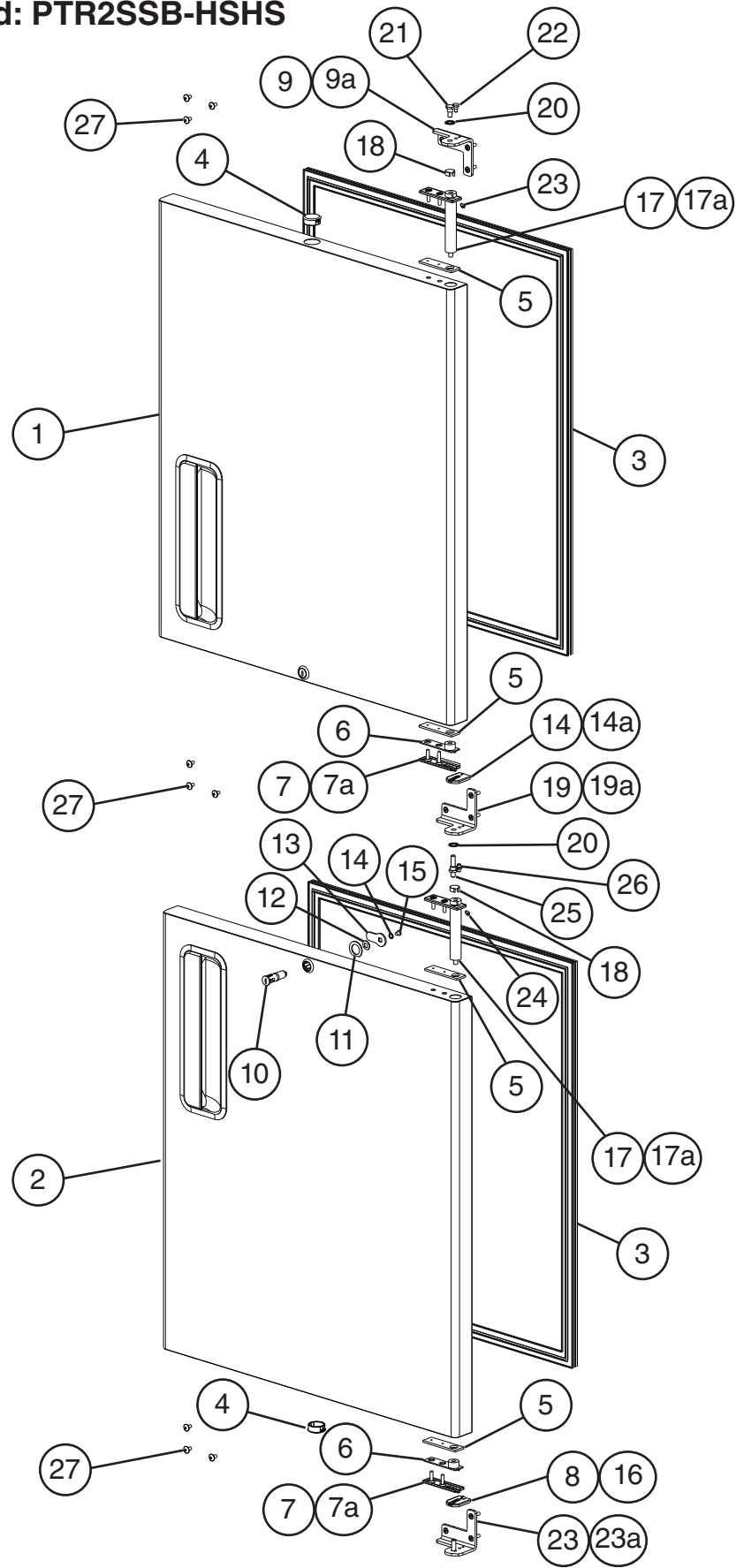
Title: E. Door-Right Hinged Model: Half Glass: PTR2SSB-HGHG											
Index No.	Description	Material or Model Number	Part Number	Required Number							
				T-5 to B-5							
1	Upper Right/Lower Left Half Glass Door (includes half the quantities of items 3 through 9a)		2A4419G01	1							
2	Lower Right/Upper Left Half Glass Door (includes half the quantities of items 3 through 9a)		2A4420G01	1							
3	Door Gasket		3A0273-02	2							
4	Locking Hole Plug		4A0586-06	2							
5	Foam Pad		4A2257-01	4							
6	Right Hinge Bottom Bushing		4A0439-01	2							
7	Right Male Hinge Bottom Plate		4A0440-01	2							
7a	Countersunk Screw	5x20, SS	7C42-0520	4							
8	Stop Plate Screw		4A0483-01	2							
9	Right Hinge Spring Cartridge		4A0438-01	2							
9a	Countersunk Screw	5x20, SS	7C42-0520	4							
10	Door Lock Tumbler (includes Key 4A0460-01)		4A0462-01	2							
11	Door Lock Washer		4A0670-01	2							
12	Door Lock Stop Washer		4A0458-01	2							
13	Door Lock Cam		4A0228-01	2							
14	Door Lock Lock Washer		4A0459-01	2							
15	Door Lock Screw		4A0461-01	2							
16	Handle		115365-01	1							
16a	Bolt Screw		449879-08	2							
16b	Handle Cap		360643-01	2							
17	Female Right Hinge Bottom Plate		4A0441-01	2							
18	Upper Right (UR) Door Hinge Bracket		3A1580-01	1							
18a	Countersunk Screw	5x20, SS	7C42-0520	3							
19	Hinge Bushing Cover		4A0445-01	2							
20	Upper Left (UL) Door Hinge Bracket		3A1581-01	1							
20a	Countersunk Screw	5x20, SS	7C42-0520	3							
21	Hinge Lock Washer		4A0553-01	2							
22	Top Hinge Pivot Pin		4A2179-01	1							
23	Top Hinge Stop Pin		4A2180-01	1							
24	Lower Right (LR) Door Hinge Bracket		3A1626-01	1							
24a	Countersunk Screw	5x20, SS	7C42-0520	3							
25	Hinge Tension Screw		4A0446-01	2							
26	Bottom Hinge Pivot Pin		4A1735-01	1							
27	Bottom Hinge Stop Pin		4A1734-01	1							
28	Truss Head Screw (filler)	5x10, SS	7C32-0510	9							

**E. Door-Right Hinged**  
**Full Solid: PTR2SSB-FSFS**  
 T-6 to U-5



Title: E. Door-Right Hinged Model: Full Solid: PTR2SSB-FSFS												
Index No.	Description	Material or Model Number	Part Number	Required Number								
				T-6 to U-5								
1	Right Solid Door (includes items 2 through 8)		2A3940G01	1								
2	Door Gasket		3A0273-01	1								
3	Locking Hole Plug		4A0586-06	1								
4	Foam Pad		4A2257-01	2								
5	Right Hinge Bottom Bushing		4A0439-01	1								
6	Male Right Hinge Bottom Plate		4A0440-01	1								
7	Stop Plate Screw		4A0483-01	1								
6a	Countersunk Screw	5x20, SS	7C42-0520	2								
8	Right Hinge Spring Cartridge		4A0438-01	1								
8a	Countersunk Screw	5x20, SS	7C42-0520	2								
9	Door Lock Tumbler (includes Key 4A0460-01)		4A0462-01	1								
10	Door Lock Washer		4A0670-01	1								
11	Door Lock Stop Washer		4A0458-01	1								
12	Door Lock Cam		4A0228-01	1								
13	Door Lock Lock Washer		4A0459-01	1								
14	Door Lock Screw		4A0461-01	1								
15	Female Right Hinge Bottom Plate		4A0441-01	1								
16	Lower Right (LR) Door Hinge Bracket		3A1626-01	1								
16a	Countersunk Screw	5x20, SS	7C42-0520	3								
17	Hinge Bushing Cover		4A0445-01	1								
18	Upper Right (UR) Door Hinge Bracket		3A1580-01	1								
18a	Countersunk Screw	5x20, SS	7C42-0520	3								
19	Hinge Lock Washer		4A0553-01	1								
20	Top Hinge Pivot Pin		4A2179-01	1								
21	Hinge Stop Pin		4A2180-01	1								
22	Hinge Tension Screw		4A0446-01	1								
23	Truss Head Screw (filler)	5x10, SS	7C32-0510	6								

**E. Door-Right Hinged**  
**Half Solid: PTR2SSB-HSHS**  
 S-5

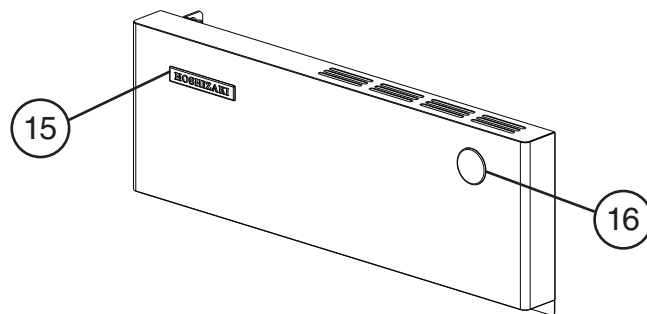
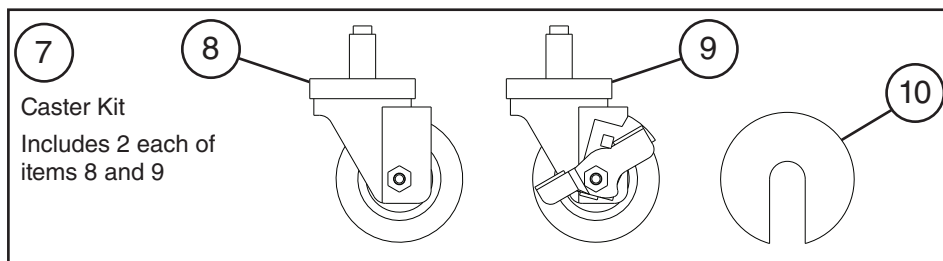
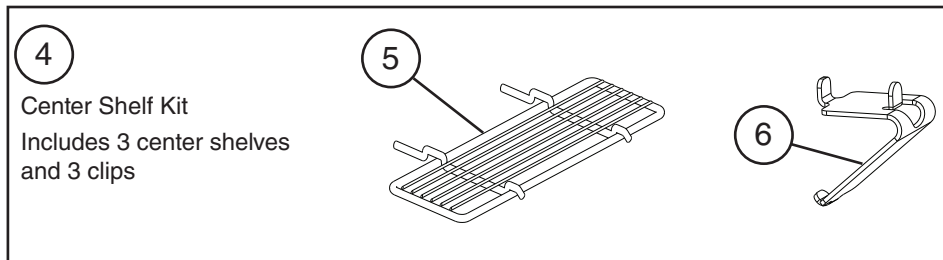
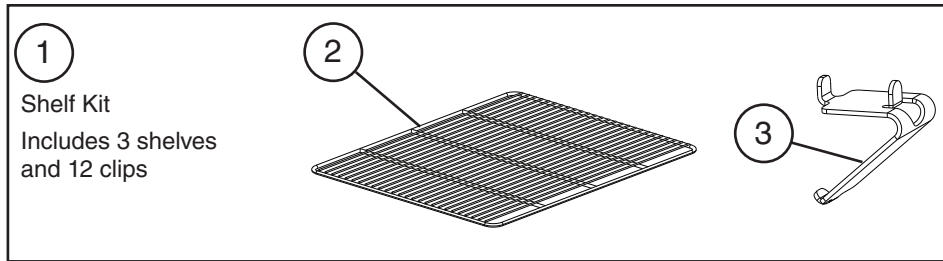


Title: E. Door-Right Hinged Model: Half Solid: PTR2SSB-HSHS												
Index No.	Description	Material or Model Number	Part Number	Required Number								
				S-5								
1	Upper Right/Lower Left Half Solid Door (includes half the quantities of items 3 through 9a)		2A3934G01	1								
2	Lower Right/Upper Left Half Solid Door (includes half the quantities of items 3 through 9a)		2A3935G01	1								
3	Door Gasket		3A0273-02	2								
10	Door Lock Tumbler (includes Key 4A0460-01)		4A0462-01	2								
11	Door Lock Washer		4A0670-01	2								
12	Door Lock Stop Washer		4A0458-01	2								
13	Door Lock Cam		4A0228-01	2								
14	Door Lock Lock Washer		4A0459-01	2								
15	Door Lock Screw		4A0461-01	2								
3	Locking Hole Plug		4A0586-06	2								
4	Foam Pad		4A2257-01	4								
5	Right Hinge Bottom Bushing		4A0439-01	2								
6	Male Right Hinge Bottom Plate		4A0440-01	2								
6a	Countersunk Screw	5x20, SS	7C42-0520	4								
16	Female Right Hinge Bottom Plate		4A0441-01	2								
8	Stop Plate Screw		4A0483-01	2								
9a	Countersunk Screw	5x20, SS	7C42-0520	3								
9	Upper Right (UR) Door Hinge Bracket		3A1580-01	1								
17	Right Hinge Spring Cartridge		4A0438-01	2								
17a	Countersunk Screw	5x20, SS	7C42-0520	4								
18	Hinge Bushing Cover		4A0445-01	2								
19	Upper Left (UL) Door Hinge Bracket		3A1581-01	1								
19a	Countersunk Screw	5x20, SS	7C42-0520	3								
20	Hinge Lock Washer		4A0553-01	2								
21	Top Hinge Pivot Pin		4A2179-01	1								
22	Top Hinge Stop Pin		4A2180-01	1								
23	Lower Right (LR) Door Hinge Bracket		3A1626-01	1								
23a	Countersunk Screw	5x20, SS	7C42-0520	3								
24	Hinge Tension Screw		4A0446-01	2								
25	Bottom Hinge Pivot Pin		4A1735-01	1								
26	Bottom Hinge Stop Pin		4A1734-01	1								
27	Truss Head Screw (filler)	5x10, SS	7C32-0510	9								

## F. Accessories & Labels

### PTR2SSB-XXXX

U-5 to E-5



Title: F. Accessories & Labels    Model: PTR2SSB-XXXX												
Index No.	Description	Material or Model Number	Part Number	Required Number								
				U-5 to A-5 (H)	A-5 (J) to E-5							
1	Shelf Kit (3 Pack) (includes items 2 and 3)	HS-3550	3A4447A01	2	2							
2	Shelf		<a href="#">3A1387-01</a>	6	6							
3	Shelf Clip		<a href="#">428957-01</a>	24	24							
4	Center Shelf Kit (3 Pack) (includes items 5 and 6)	<a href="#">HS-3510</a>	3A4451A01	1	1							
5	Center Shelf		2A1579-01	3	3							
6	Shelf Clip		<a href="#">428957-01</a>	3	3							
7	Leg Kit (4 pack)	HS-3512	<a href="#">4A0930-01</a>	1	-							
	Caster Kit (includes two each of items 8 and 9)	<a href="#">HS-3546</a>	4A4712G01		1							
8	Caster		4A1347-01		2							
9	Brake Caster		4A1347-02		2							
10	Caster Shim Kit	<a href="#">HS-3590</a>	4A3659A01		1							
11	Emblem		<a href="#">4A0560-01</a>	2	2							
12	Penguin Label		<a href="#">456246-02</a>	2	2							