



# HOSHIZAKI

## Instruction Manual

Refrigerated Kitchen Equipment  
Steelheart B Series

Models

Refrigerated Prep Table with Raised Rail



[hoshizakiamerica.com](http://hoshizakiamerica.com)

Issued: 1-5-2022  
Revised: 3-11-2025

**⚠ WARNING**

Only qualified service technicians should install and service the appliance. To obtain the name and phone number of your local Hoshizaki Certified Service Representative, visit [www.hoshizakiamerica.com](http://www.hoshizakiamerica.com). No installation or service should be undertaken until the technician has thoroughly read this Instruction Manual. Likewise, the owner/manager should not proceed to operate the appliance until the installer has instructed them on its proper operation. Failure to install, operate, and maintain the appliance in accordance with this manual may adversely affect safety, performance, component life, and warranty coverage. Proper installation is the responsibility of the installer. Product failure or property damage due to improper installation is not covered under warranty.

Hoshizaki provides this manual primarily to assist qualified service technicians in the installation, maintenance, and service of the appliance.

Should the reader have any questions or concerns which have not been satisfactorily addressed, please call, send an e-mail message, or write to the Hoshizaki Technical Support Department for assistance.

Phone: 1-800-233-1940; (770) 487-2331

E-mail: [techsupport@hoshizaki.com](mailto:techsupport@hoshizaki.com)

**HOSHIZAKI AMERICA, INC.**

618 Highway 74 South

Peachtree City, GA 30269

Attn: Hoshizaki Technical Support Department

**NOTE:** To expedite assistance, all correspondence/communication **MUST** include the following information:

- Model Number \_\_\_\_\_
- Serial Number \_\_\_\_\_
- Complete and detailed explanation of the problem.

## **IMPORTANT**

This manual should be read carefully before the appliance is installed and operated. Read the warnings and guidelines contained in this booklet carefully as they provide essential information for the continued safe use and maintenance of the appliance. Retain this booklet for any further reference that may be necessary.

## **CONTENTS**

Important Safety Information .....	5
I. Installation Instructions .....	9
A. Location .....	9
B. Checks Before Installation.....	10
C. Setup.....	10
1. Remove the Appliance from the Pallet .....	10
2. Check the Refrigeration Circuit.....	12
3. Position the Appliance and Lock the Front Casters .....	12
4. Install the Shelves.....	12
5. Confirm Rail Cover Operation.....	12
6. Properly Align Pans and Rail Dividers.....	13
7. Attach the Cutting Board.....	15
D. Door Reversal.....	16
E. Door/Drawer Reversal .....	20
F. Electrical Connection .....	27
G. Final Checklist .....	28
II. Operating Instructions.....	29
A. Important Notes About Usage.....	29
B. Pre-Startup and Startup .....	32
C. Controls and Adjustments .....	34
1. Rail Area Day Mode and Night Mode Temperature Control.....	35
2. Cabinet Temperature Control and Display .....	36
D. Cabinet Control Display Icons .....	37
E. Defrost.....	38
F. Cabinet Control Alarm Safeties .....	40
G. Food Storage .....	41
H. Safety Devices .....	41
I. Cooling Performance .....	42
J. Cabinet Condensation .....	42
III. Cleaning and Maintenance Instructions.....	43
A. Cleaning .....	43
1. Exterior.....	43
2. Cabinet Interior .....	43
3. Door/Drawer Gaskets .....	43
4. Shelves .....	43
5. Rail Light Sensor .....	43
6. Drawers .....	44
7. Cutting Board .....	44
8. Pans.....	44
9. Rail, Rail Dividers, and Rail Cover.....	44
10. Rail Air Duct .....	45

B. Maintenance.....	46
1. Air Filter .....	46
2. Condenser .....	46
3. Condensate Drain Hose .....	46
4. Power Supply Connection.....	46
IV. Preparing the Appliance for Periods of Non-Use .....	47
V. Disposal .....	48

## Important Safety Information

Throughout this manual, notices appear to bring your attention to situations which could result in death, serious injury, damage to the appliance, or damage to property.

<b>⚠ DANGER</b>	Indicates a hazardous situation that, if not avoided, will result in death or serious injury.
<b>⚠ WARNING</b>	Indicates a hazardous situation that, if not avoided, could result in death or serious injury.
<b>NOTICE</b>	Indicates a situation that, if not avoided, could result in damage to the appliance or property.
<b>IMPORTANT</b>	Indicates important information about the use and care of the appliance.

### **⚠ DANGER**

#### **Risk of Fire or Explosion**

##### **Flammable Refrigerant Used**

- Follow handling instructions carefully in compliance with U.S. government regulations.
- Do not use mechanical devices to defrost.
- Do not puncture refrigerant tubing. Risk of fire or explosion due to puncture of refrigerant tubing; follow handling instructions carefully.
- Component parts shall be replaced with like components.
- Servicing shall be done by factory authorized service personnel to minimize the risk of possible ignition due to incorrect parts or improper service.
- Consult instruction manual/service manual before attempting to install or service this product. All safety precautions must be followed.
- Dispose of properly in accordance with federal or local regulations.
- Do not place any potential ignition sources in or near the appliance.

### **Risque De Feu Ou D'Explosion**

#### **Le Frigorigène Est Inflammable**

- Suivre attentivement les instructions de manipulation conformément à la réglementation gouvernementale.
- Ne pas utiliser d'appareils mécaniques pour dégivrer le réfrigérateur.
- Ne pas perforer la tubulure contenant le frigorigène. Risque de feu ou d'explosion si la tubulure contenant le frigorigène est perforée; suivre les instructions de manutention avec soin.
- Les pièces des composants doivent être remplacées par des pièces et accessoires équivalents.
- L'entretien doit être effectué par le personnel de service autorisé par le fabricant afin de minimiser les risques d'inflammation attribuables à l'installation d'une pièce inadéquate ou à la mauvaise exécution du service.
- Consulter le manuel du propriétaire/ guide de réparation avant de tenter une réparation. Toutes les mesures de sécurité doivent être respectées.
- Éliminer conformément aux règlements fédéraux ou locaux.
- Ne placez aucune source d'inflammation potentielle dans ou près de l'appareil.


## **⚠ WARNING**

The appliance should be destined only to the use for which it has been expressly conceived. Any other use should be considered improper and therefore dangerous. The manufacturer cannot be held responsible for injury or damage resulting from improper, incorrect, and unreasonable use. Failure to install, operate, and maintain the appliance in accordance with this manual will adversely affect safety, performance, component life, and warranty coverage.

**To reduce the risk of death, electric shock, serious injury, or fire, follow basic precautions including the following:**

- Only qualified service technicians should install and service the appliance.
- Wear appropriate personal protective equipment (PPE) when servicing the appliance.
- The appliance must be installed in accordance with applicable national, state, and local codes and regulations.
- Appliance is heavy. Use care when lifting or positioning. Work in pairs when needed to prevent injury or damage. Do not lift using the top section or the doors/drawers.
- To reduce the risk of electric shock, do not touch the plug with damp hands.
- Unplug the appliance before servicing.
- The appliance requires an independent power supply of proper capacity. See the nameplate for electrical specifications. Failure to use an independent power supply of proper capacity can result in a tripped breaker, blown fuse, damage to existing wiring, or component failure. This could lead to heat generation or fire.

## **• THE APPLIANCE MUST BE**

**GROUNDING.** The appliance is equipped with a NEMA 5-15 three-prong grounding plug  to reduce the risk of potential shock hazards. It must be plugged into a properly grounded, independent 3-prong wall outlet. If the outlet is a 2-prong outlet, it is your personal responsibility to have a qualified electrician replace it with a properly grounded, independent 3-prong wall outlet. Do not remove the ground prong from the power cord and do not use an adapter plug. Failure to follow these instructions may result in death, electric shock, or fire.

- Do not use an extension cord.
- Do not use an appliance with a damaged power cord. The power cord should not be altered, jerked, bundled, weighed down, pinched, or tangled. Such actions could result in electric shock or fire. To unplug the appliance, be sure to pull the plug, not the cord, and do not jerk the cord.
- The GREEN ground wire in the factory-installed power cord is connected to the appliance. If it becomes necessary to remove or replace the power cord, be sure to connect the power cord's ground wire.
- Do not splash, pour, or spray water directly onto or into the appliance. This might cause short circuit, electric shock, corrosion, or failure.
- Do not make any alterations to the appliance. Alterations could result in electric shock, injury, fire, or damage to the appliance.
- The appliance is not intended for use by persons (including children) with reduced physical, sensory, or mental capabilities, or lack of experience and knowledge, unless they have been given supervision or instruction concerning use of the appliance by a person responsible for their safety.

**⚠ WARNING, continued**

- Children should be properly supervised around the appliance.
- Do not climb, stand, or hang on the appliance or doors/drawers or allow children or animals to do so. Do not climb into the appliance or allow children or animals to do so. Death or serious injury could occur or the appliance could be damaged.
- Be careful not to pinch fingers when opening and closing the doors/drawers or rail cover or when handling food pans. Be careful when opening and closing the doors/drawers or rail cover when children are in the area.
- Open and close the doors/drawers and rail cover with care. Opening the doors/drawers or rail cover too quickly or forcefully may cause injury or damage to the appliance or surrounding equipment.
- Do not use combustible spray or place volatile or flammable substances in or near the appliance. They might catch fire.
- Keep the area around the appliance clean. Dirt, dust, or insects in the appliance could cause harm to individuals or damage to the equipment.
- Do not throw anything onto the shelves or load any single shelf with more than 120 lb. (54.5 kg) of product. They might fall off and cause injury.
- Do not load any single drawer with more than 75 lb. (34 kg) of product. Depending on the weight of product in the drawers, secure the appliance as necessary to prevent it from overturning. Do not open more than one drawer at a time.
- The appliance is designed only for temporary storage of food. Employ sanitary methods. Use for any other purposes (for example, storage of chemicals or medical supplies such as vaccine and serum) could cause deterioration of stored items.

- Do not block air inlets or outlets, otherwise cooling performance may be reduced.
- Do not tightly pack the cabinet. Allow some space between items to ensure good air flow. Also allow space between items and interior surfaces.
- Do not put warm or hot foods in the cabinet. Let them cool first, or they will raise the cabinet temperature and could deteriorate other foods in the cabinet or overload the appliance.
- Food storage and handling must comply with applicable codes and regulations.
- All foods should be wrapped in plastic film or stored in sealed containers. Otherwise foods may dry up, pass their smells onto other foods, cause frost to develop, result in poor appliance performance, or increase the likelihood of cross-contamination. Certain dressings and food ingredients, if not stored in sealed containers, may accelerate corrosion of the evaporator, resulting in failure.
- Do not store items near air outlets. Otherwise, items may freeze up and crack or break causing a risk of injury or contamination of other food.
- The entire rail must always be covered by rail dividers and pans. Otherwise, the appliance will not cool properly. Use only pans up to 6" (15 cm) deep. Do not use damaged rail dividers or pans. For rail divider and pan combinations, see "I.C.6. Properly Align Pans and Rail Dividers."
- Ingredients must be pre-chilled to 37°F (3°C) or less before placing in rail.
- Keep the rail cover closed when not actively preparing food.
- The rail is for keeping ingredients cool while preparing food. If not actively preparing food for a long period such as overnight, seal pans with plastic wrap in addition to closing the rail cover.
- For PR46B(-D2), all 6 casters must be installed. Otherwise, the appliance may tip, resulting in injury or damage.

## ***NOTICE***

- Protect the floor when moving the appliance to prevent damage to the floor.
- Keep ventilation openings clear of obstruction.
- The factory-installed rear bumpers must be in place to ensure proper rear clearance. Blockage of airflow could negatively affect performance and damage the appliance.
- Do not allow the appliance to bear any outside weight.
- To prevent deformation or cracks, do not spray insecticide onto the plastic parts or let them come into contact with oil.
- To avoid damage to the gasket, use only the door/drawer handle when opening and closing.
- Do not leave the doors/drawers open.
- To avoid damage to the top seal, do not lift the appliance by the top section or remove the top section.
- Do not place anything on top of the rail cover. The rail cover is not designed to bear any outside weight.
- Do not place anything on the air duct panels beneath the pans in the rail. The air duct panels are not load-bearing.
- A minimum of 10" (25 cm) clearance above the rail should be provided to allow the rail cover to open.

---

## I. Installation Instructions

### WARNING

- The appliance must be installed in accordance with all applicable national, state, and local regulations.
- Appliance is heavy. Use care when lifting or positioning. Work in pairs when needed to prevent injury or damage. Do not lift using the refrigeration area, the top section, or the doors/drawers.
- Do not tilt the appliance more than 45°.

## A. Location

### WARNING

- The appliance is not intended for outdoor use.
- Certified to maintain NSF temperatures between 45°F to 86°F (7°C to 30°C). Engineered to maintain NSF temperatures up to 100°F (38°C).
- Operation of the appliance, for extended periods, outside of these temperature ranges may affect appliance performance.

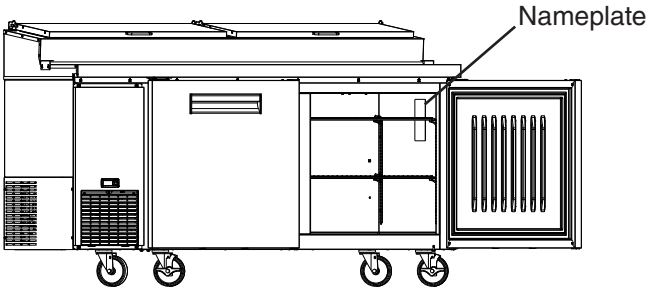
For best operating results:

- The appliance should not be located next to ovens, grills, or other high heat producing equipment.
- The location should provide a firm and level foundation for the appliance.
- The appliance should not be located in a corrosive environment.
- Allow 1" (3 cm) clearance at sides for proper air circulation. The factory-installed rear bumpers must be in place to ensure proper rear clearance. A minimum of 10" (25 cm) clearance above the rail should be provided to allow the rail cover to open.

## B. Checks Before Installation

**⚠ WARNING**

Refer to the nameplate for electrical specifications. The nameplate is located on the right side wall of the cabinet interior. For more electrical connection details, see "I.F. Electrical Connection." We reserve the right to make specification and design changes without prior notice.



The diagram shows a mobile appliance cabinet on wheels. The right-side door is open, revealing the interior. A label 'Nameplate' with a line pointing to it is located on the right-side interior wall. The cabinet has a refrigeration area on the left and a storage area on the right.

- Visually inspect the exterior of the shipping package and immediately report any damage to the carrier. Upon opening the package, any concealed damage should also be immediately reported to the carrier.
- Remove the shipping carton, tape, and packing material. Also remove the protective plastic film from both the exterior panels and the interior door/drawer panel. If the appliance is exposed to the sun or to heat, remove the film after the appliance cools.
- Remove all accessory containers before discarding the packing materials. Dispose of all packing materials in a proper and environmentally responsible manner.
- Check for missing or damaged accessories.

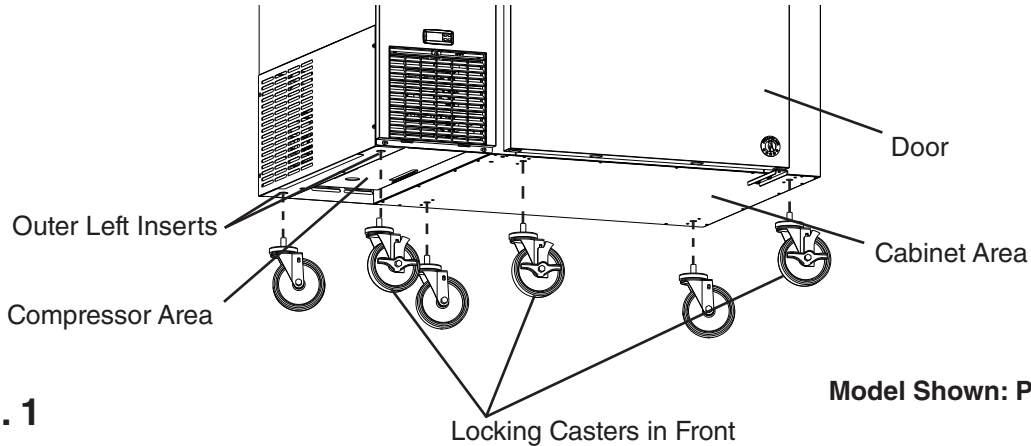
## C. Setup

### 1. Remove the Appliance from the Pallet

- 1) Move as close to the final location as possible.
- 2) Remove the 2 bolts securing the appliance to the pallet, then remove the appliance from the pallet. Block the appliance securely at a height of 8" (20 cm) off the floor.  
**NOTICE! Do not place blocks under the refrigeration area or doors/drawers of the appliance. Do not lay the appliance down.**

3) Attach the casters to the bottom of the appliance. Locking casters should be attached to the front of the appliance. **NOTICE! Do not place blocks under the refrigeration area or doors/drawers of the appliance. Do not lay the appliance down.**

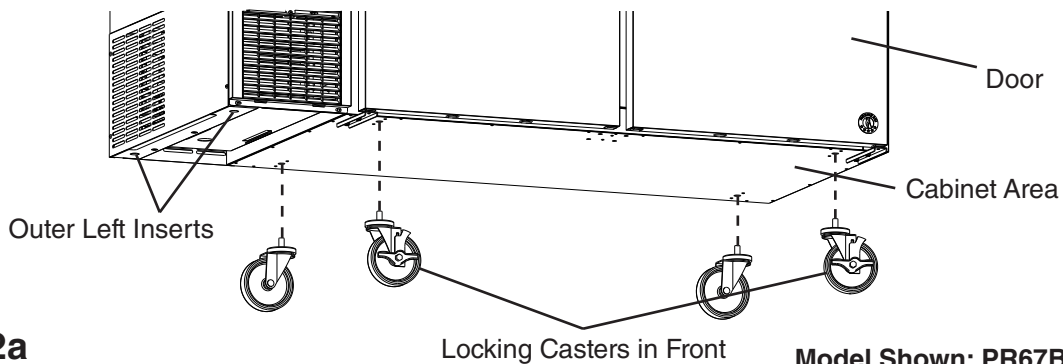
- a) **PR46B(-D2):** Attach all 6 casters. See Fig. 1. **WARNING! On PR46B(-D2) models, all 6 casters must be installed. Otherwise, appliance may tip.**  
**NOTICE! Ensure casters are completely threaded into the appliance and tight.**



**Fig. 1**

**Model Shown: PR46B**

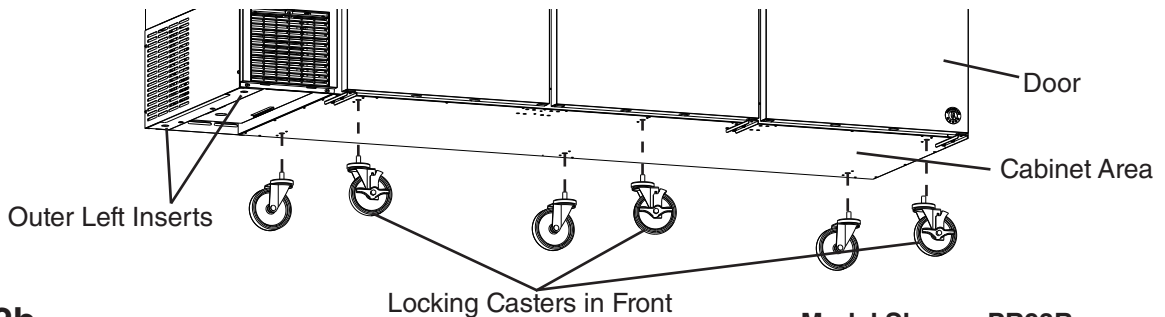
- b) **PR60B(-DX) and PR67B(-DX):** Attach the 4 casters under the cabinet area. See Fig. 2a. **WARNING! On PR60B(-DX) and PR67B(-DX) models, do not attach the casters under the compressor area in the outer left inserts.**  
**NOTICE! Ensure casters are completely threaded into appliance and tight.**



**Fig. 2a**

**Model Shown: PR67B**

- c) **PR93B(-DX):** Attach the 6 casters under the cabinet area. See Fig. 2b. **WARNING! On PR93B(-DX) models, do not attach the casters under the compressor area in the outer left inserts.** **NOTICE! Ensure casters are completely threaded into appliance and tight.**



**Fig. 2b**

**Model Shown: PR93B**

## 2. Check the Refrigeration Circuit

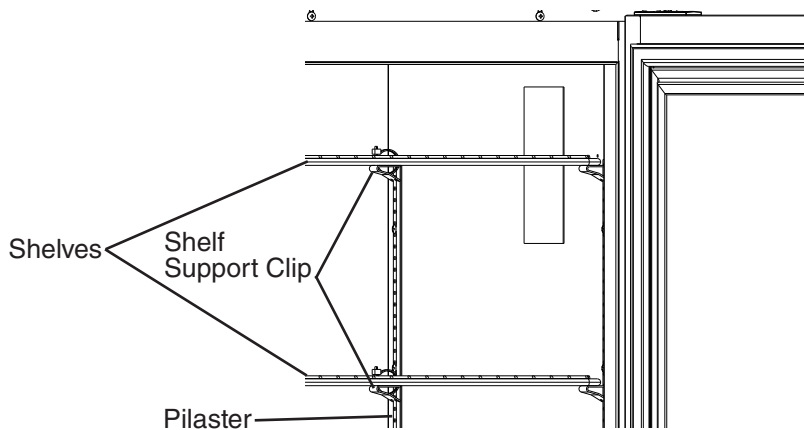
Visually check that the refrigerant lines do not rub or touch other lines or surfaces and that the condenser fan blade turns freely.

## 3. Position the Appliance and Lock the Front Casters

The front casters on the appliance are lockable. After positioning the appliance in its final location, lock the front casters.

## 4. Install the Shelves

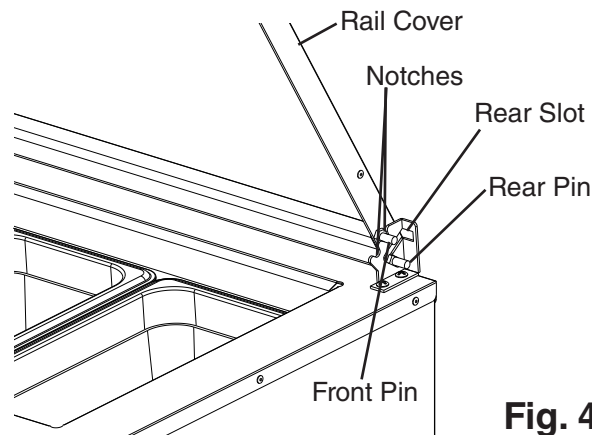
- 1) For each shelf, place the shelf support clips into the pilasters at the desired height (4 shelf support clips per shelf). See Fig. 3.
- 2) Place the shelves in position on the support clips.



**Fig. 3**

## 5. Confirm Rail Cover Operation

The rail cover's rear pins are inserted into the rear slots on both brackets. Use the rail cover's front pins and the notches on the brackets to place the rail cover in the open position. You can use either set of notches. The hollow side of the rail cover faces down. See Fig. 4. **WARNING! When the rail cover is open, make sure the rear pins on both sides of the rail cover are securely in the rear slots and the front pins are resting securely in the notches. Otherwise, the rail cover could close suddenly and cause injury.**



**Fig. 4**

## 6. Properly Align Pans and Rail Dividers

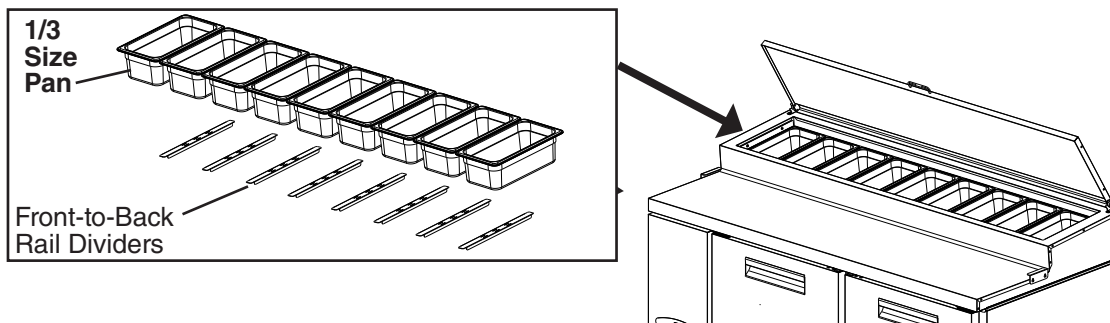
### NOTICE

The entire rail must be covered by rail dividers and pans (up to 6" (15 cm) deep) to avoid condensation issues and poor cooling performance.

Confirm rail dividers and pans are in place. See Fig. 5. For pan size other than 1/3, see "I.C.6.b) Alternative Pan Sizes" below.

#### a) Factory Shipped with 1/3 Size Pan and Front-to-Back Rail Dividers

Model Number	Pan Size	Pan Qty	Rail Divider	Rail Divider Qty
PR46B(-D2)	1/3	6	Front-to-Back	7
PR60B(-D4)	1/3	8	Front-to-Back	9
PR67B(-D2)(-D4)	1/3	9	Front-to-Back	10
PR93B(-D2)(-D4)(-D6)	1/3	12	Front-to-Back	13



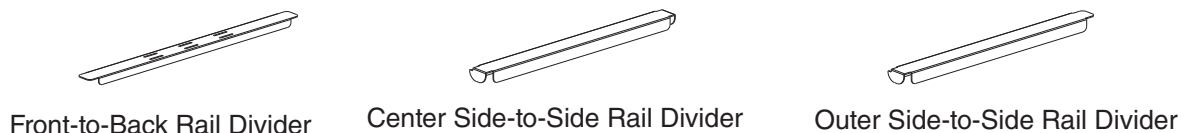
Model Shown: PR67B

- Wash the pans before use. **Fig. 5**
- The entire rail must always be covered by rail dividers and pans to avoid condensation issues and poor cooling performance.
- Use only pans up to 6" (15 cm) deep. Do not use damaged rail dividers or pans.
- At startup, leave the pans empty and the rail covers closed until the appliance cools down.
- An extra front-to-back rail divider is included. Use the extra front-to-back rail divider if a gap remains after all pans and all other rail dividers are in place.

#### b) Alternative Pan Sizes:

For alternative pan sizes, additional center and outer side-to-side rail dividers are required. See Fig. 6. **NOTICE! The entire rail must be covered by rail dividers and pans (up to 6" (15 cm) deep). Confirm all rail divider hooks are properly placed into the front-to-back rail dividers and pans are level.** Note: The extra front-to-back rail divider provided with the appliance may be required in some pan size combinations to assure that the rail area is fully covered.

**Fig. 6**



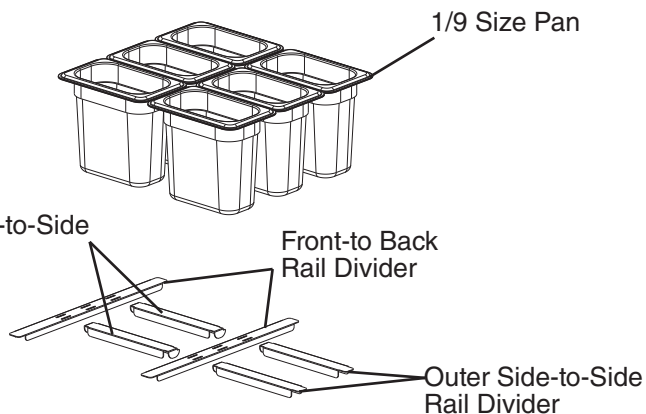
For alternative pan size combinations, see the table and examples in Figs. 7, 8, and 9 below.

HS Kit	Pan Size	Rail Divider Type	Qty per Kit
HS-5534	All Sizes	Front-to-Back	1
HS-5536	1/9 or 1/6	Outer Side-to-Side	1
HS-5535	1/4	Outer Side-to-Side	1
HS-5538	1/9 or 1/6	Center Side-to-Side	1
HS-5537	1/4	Center Side-to-Side	1

Note: Rail divider quantities vary depending on the pan size combination

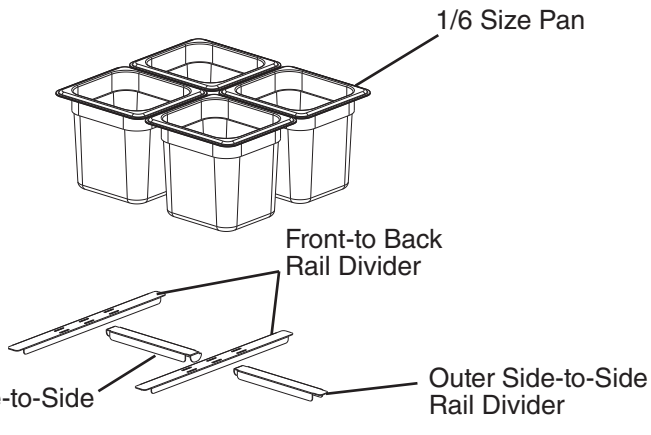
### 1/9 Size Pan

- Front-to-Back Rail Divider (HS-5534)
- Center Side-to-Side Rail Divider (HS-5538)
- Outer Side-to-Side Rail Divider (HS-5536)



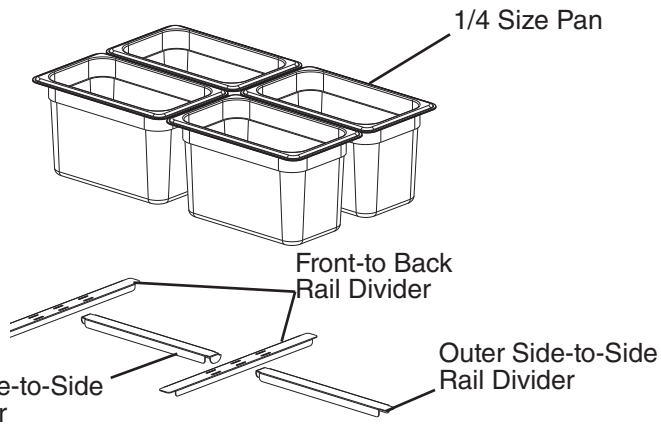
### 1/6 Size Pan

- Front-to-Back Rail Divider (HS-5534)
- Center Side-to-Side Rail Divider (HS-5538)
- Outer Side-to-Side Rail Divider (HS-5536)



### 1/4 Size Pan

- Front-to-Back Rail Divider (HS-5534)
- Center Side-to-Side Rail Divider (HS-5537)
- Outer Side-to-Side Rail Divider (HS-5535)

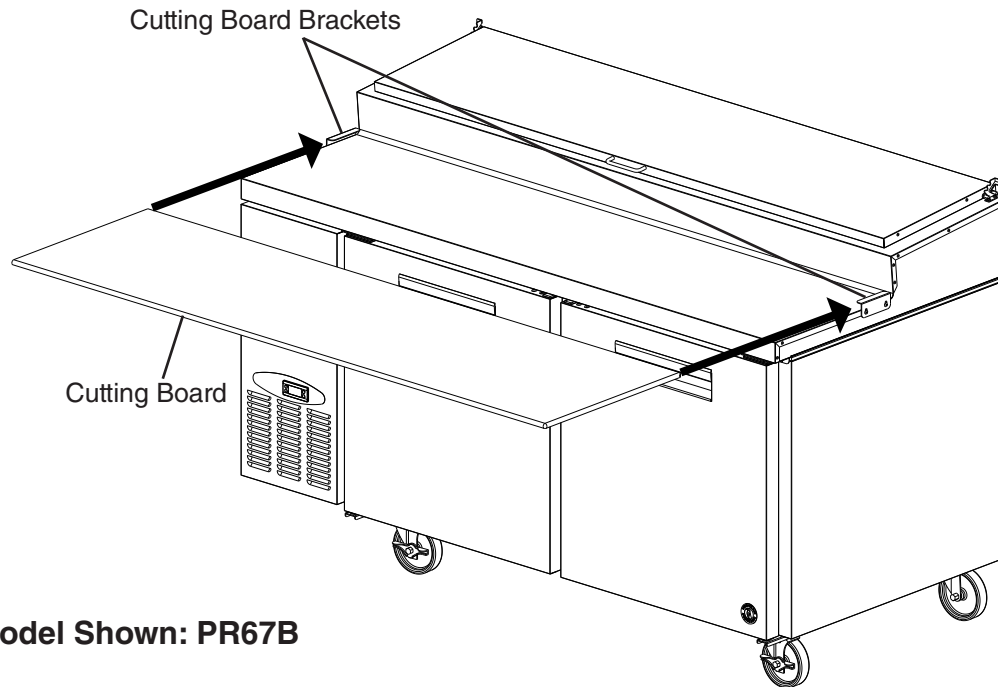


## 7. Attach the Cutting Board

- 1) Loosen, but do not remove, the screws securing the cutting board brackets. See Fig. 10.
- 2) Slide the cutting board under the cutting board brackets, then tighten the screws.

**WARNING! Make sure the cutting board brackets and cutting board are secure. Otherwise, the cutting board could come off and cause injury.**

Note: Wash the cutting board before use.



**Model Shown: PR67B**

**Fig. 10**

## D. Door Reversal

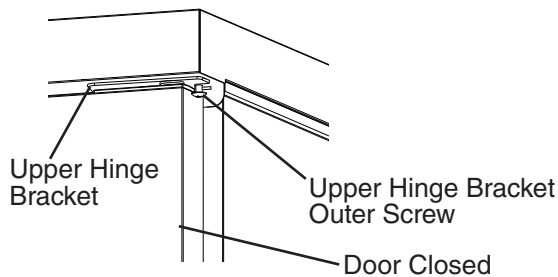
The appliance is provided with a cabinet design which, after being delivered to the installation location, permits changing of the door swing from left to right or right to left. To change the door swing, follow the steps below. Example shows change from right hinged to left hinged.

### **⚠ WARNING**

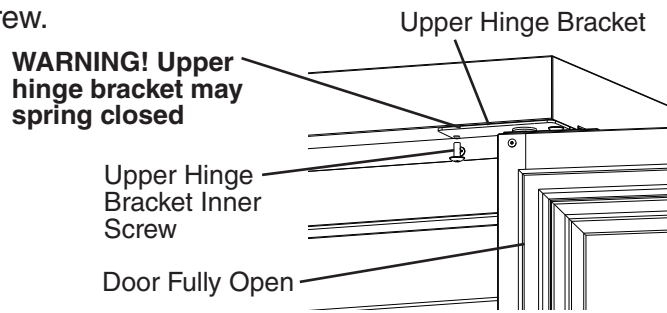
- Wear proper PPE (personal protection equipment) when executing these procedures (safety glasses and gloves).
- Keep fingers away from edge of upper hinge bracket. Spring cartridge can cause the upper hinge bracket to move suddenly with extreme force.

### **Door and Lower Hinge Removal and Relocation**

- 1) Remove all items from the appliance. Make sure the appliance is unplugged from the electrical outlet. Move the appliance out for ease of access then lock the casters.
- 2) With the door closed, loosen, but do not remove, the upper hinge bracket outer screw. See Fig. 11. Next, open the door to the fully open position and remove the upper hinge bracket inner screw. See Fig. 12.
- 3) Slide the upper hinge bracket out from under the outer screw and remove the door. **WARNING! Keep away from upper hinge bracket. Upper hinge bracket may spring closed.**
- 4) Replace the upper hinge bracket inner screw in its original position and tighten, then tighten the upper hinge bracket outer screw.

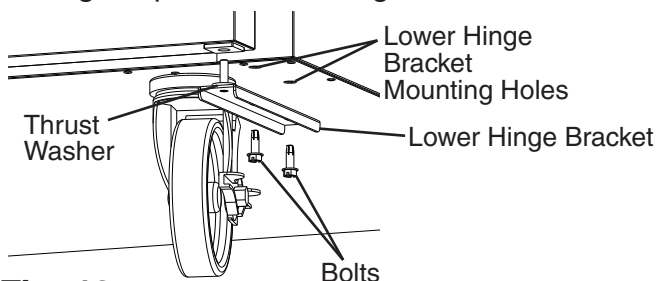


**Fig. 11**

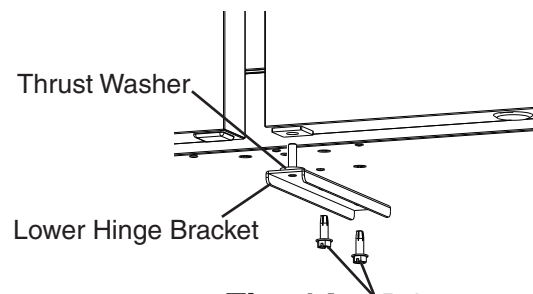


**Fig. 12**

- 5) Remove the lower hinge bracket. See Fig. 13. Be sure to leave the thrust washer in place.
- 6) Clear the foam from the lower hinge bracket mounting holes prior to securing lower hinge bracket in its new location. Install the lower hinge bracket in its new location. Be sure the lower hinge bracket is pushed all the way in and the thrust washer is in its original position. See Fig. 14.



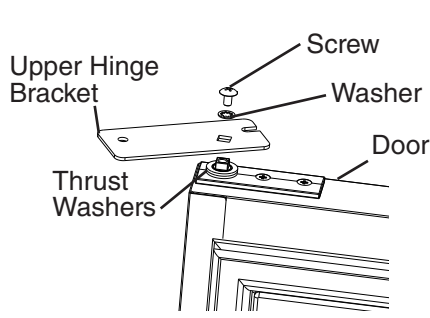
**Fig. 13**



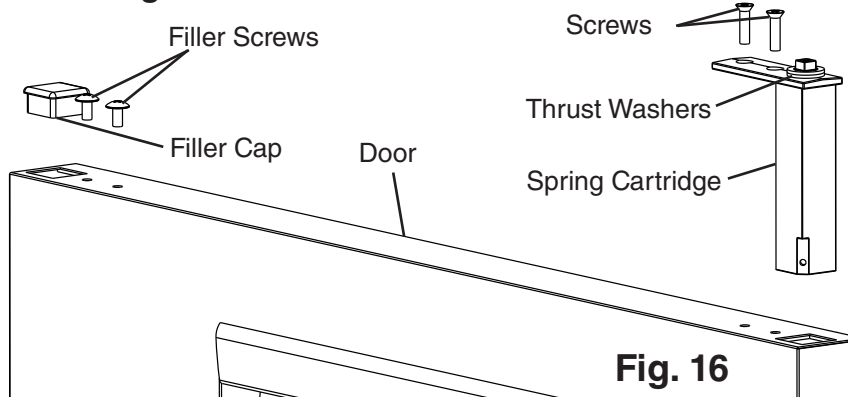
**Fig. 14**

## Upper Hinge Bracket Removal and Spring Cartridge Relocation

- 7) While preventing the upper hinge bracket from rotating, remove the upper hinge bracket from the spring cartridge. See Fig. 15. Note which side of the upper hinge bracket is facing up.
- 8) Remove the filler cap, filler screws, and spring cartridge. See Fig. 16. Leave the thrust washers in place on the spring cartridge. **NOTICE! Spring cartridge may be difficult to remove. Be careful not to damage the finish.**

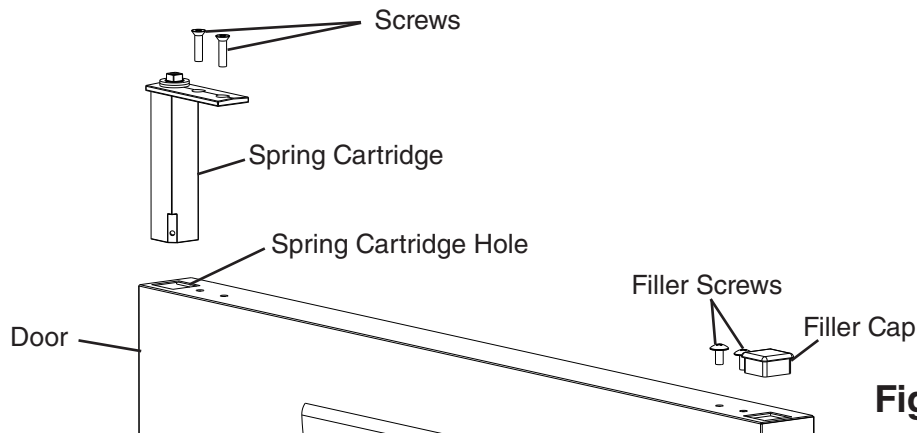


**Fig. 15**



**Fig. 16**

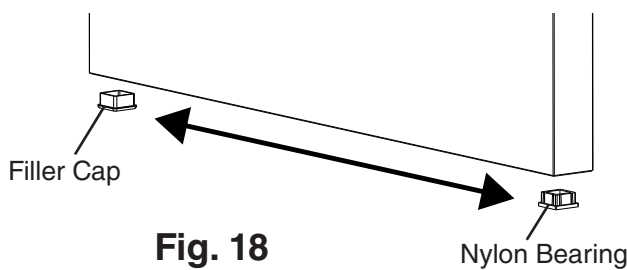
- 9) Clear foam from the spring cartridge hole to allow for spring cartridge installation. See Fig. 17. Install the spring cartridge in its new location. Reinstall the filler cap and filler screws on the opposite side of the door.



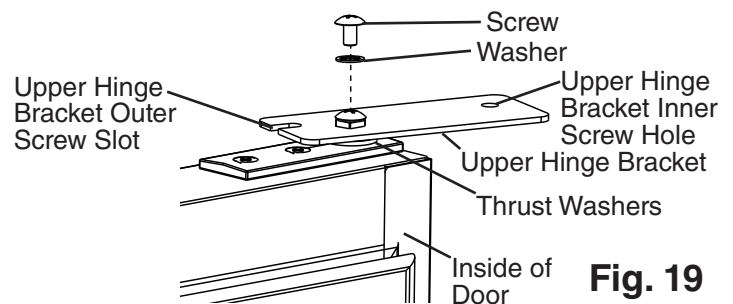
**Fig. 17**

## Lower Door Prep and Upper Hinge Bracket Relocation

- 10) Remove the filler cap and nylon bearing from the bottom of the door. See Fig. 18. Reinstall on the opposite side.
- 11) Make sure the thrust washers are in place on the spring cartridge, then flip the upper hinge bracket over from its original position and install onto the spring cartridge in the door open position. See Fig. 19. The upper hinge bracket should be positioned as shown.



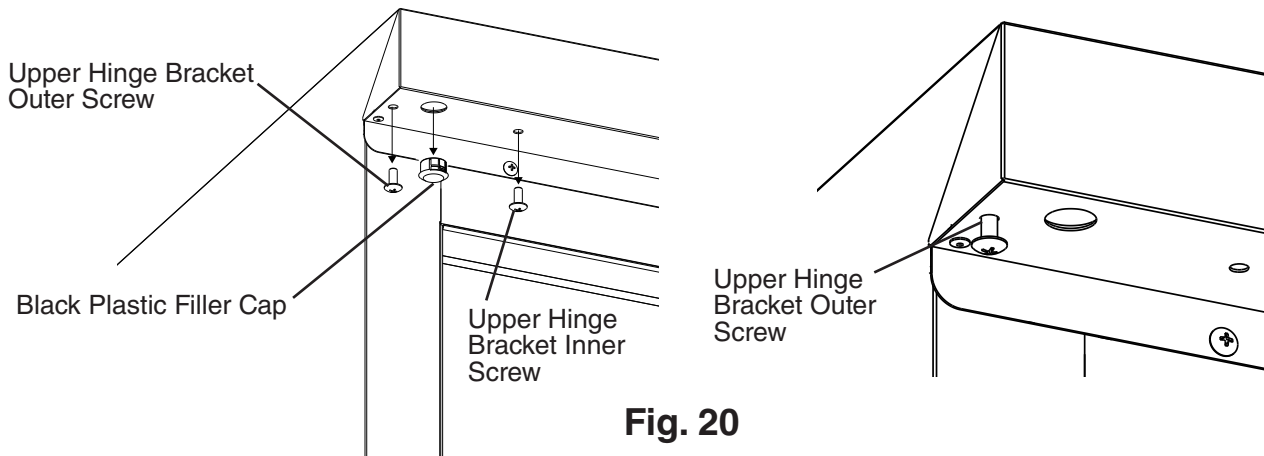
**Fig. 18**



**Fig. 19**

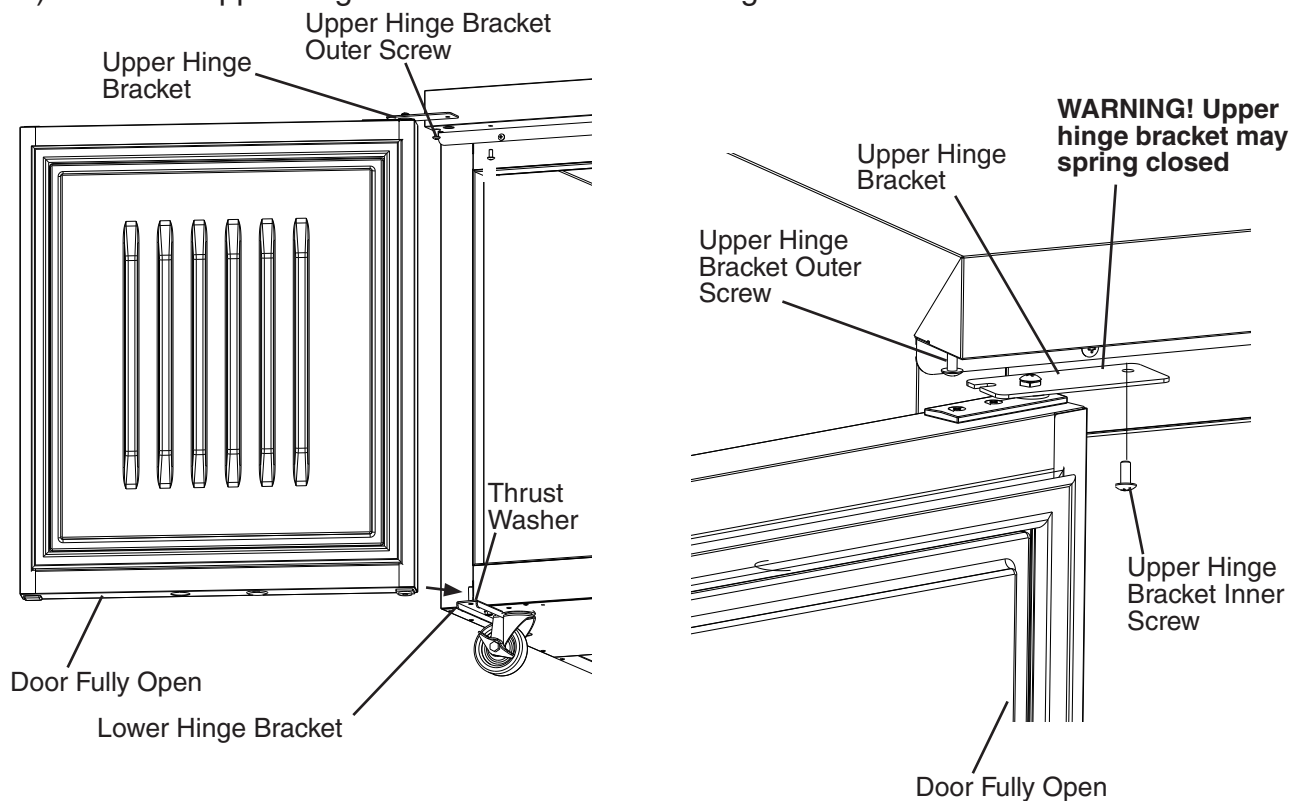
## Door Installation

- 12) Remove the black plastic filler cap located from the hole above where the spring cartridge screw will line up. Note: The black plastic filler cap is not reusable.
- 13) Remove the upper hinge bracket screws from the new location and apply Loctite Threadlocker Blue 242 or 243 to the threads. Next, start the upper hinge bracket outer screw into the appliance. Rotate a few threads into the appliance; do not tighten the screw. See Fig. 20.



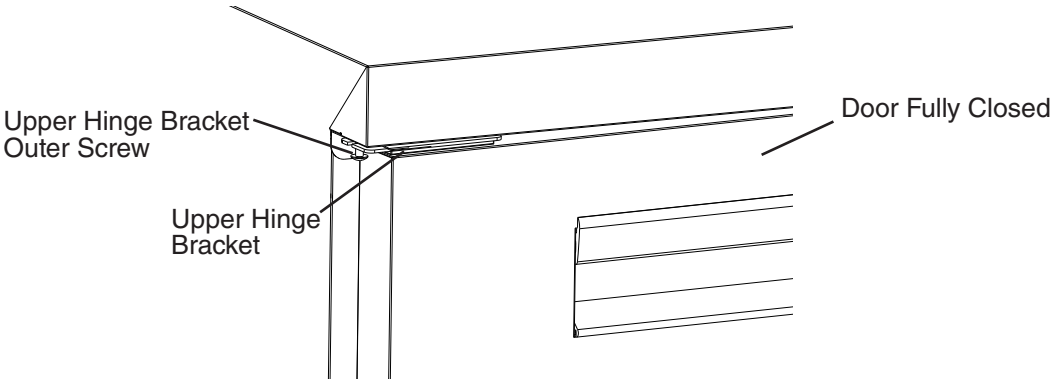
**Fig. 20**

- 14) Be sure the lower hinge bracket thrust washer is in place, then place the door on the lower hinge bracket in the fully open position. Slide the door upper hinge bracket outer slot onto the upper hinge bracket outer screw. See Fig. 21
- 15) Install the upper hinge bracket inner screw and tighten.



**Fig. 21**

- 16) Close the door and tighten the upper hinge bracket outer screw.  
See Fig. 22.



**Fig. 22**

- 17) Check the door operation to assure it opens and closes properly. Note: Hold door at 45° angle from closed position and release. Door should close on its own. If not, adjust hinge bracket.
- 18) Unlock the casters and move the appliance back into its original position. Lock the casters once in position, then plug the appliance back into the electrical outlet. Allow the appliance to cool down prior to putting product back in.

## E. Door/Drawer Reversal

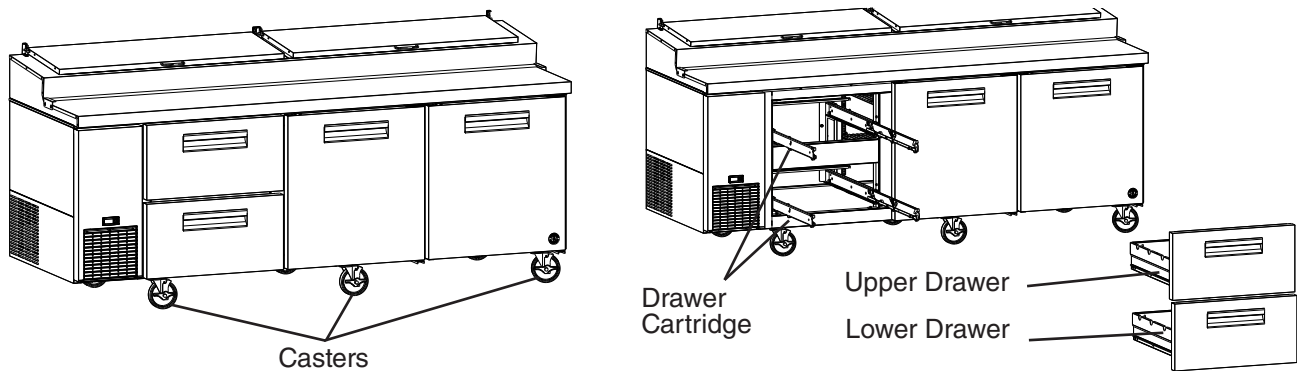
The appliance is provided with a cabinet design which, after being delivered to the installation location, permits changing of the drawer and door locations. To change the drawer and door locations, follow the steps below.

### ⚠ WARNING

- Wear proper PPE (personal protection equipment) when executing these procedures (safety glasses and gloves).
- Keep fingers away from edge of upper hinge bracket. Spring cartridge can cause the upper hinge bracket to move suddenly with extreme force.

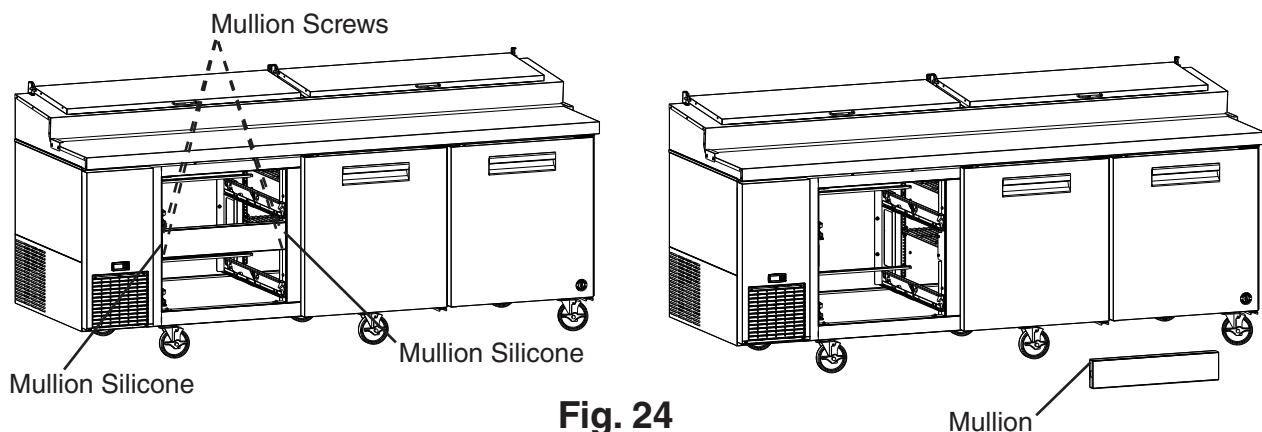
### Drawer and Drawer Cartridge Removal

- 1) Remove all items from the appliance. Make sure the appliance is unplugged from the electrical outlet. Move the appliance out for ease of access then lock the casters. See Fig. 23.
- 2) Remove the drawers. Pull the drawer out to its fully extended position. Open the safety clips (one on each side) by sliding them forward. Lift up slightly and remove them from the drawer cartridge. See. "III.A.6. Drawers" for reference. Be sure to note which is the upper drawer and which is the lower drawer.



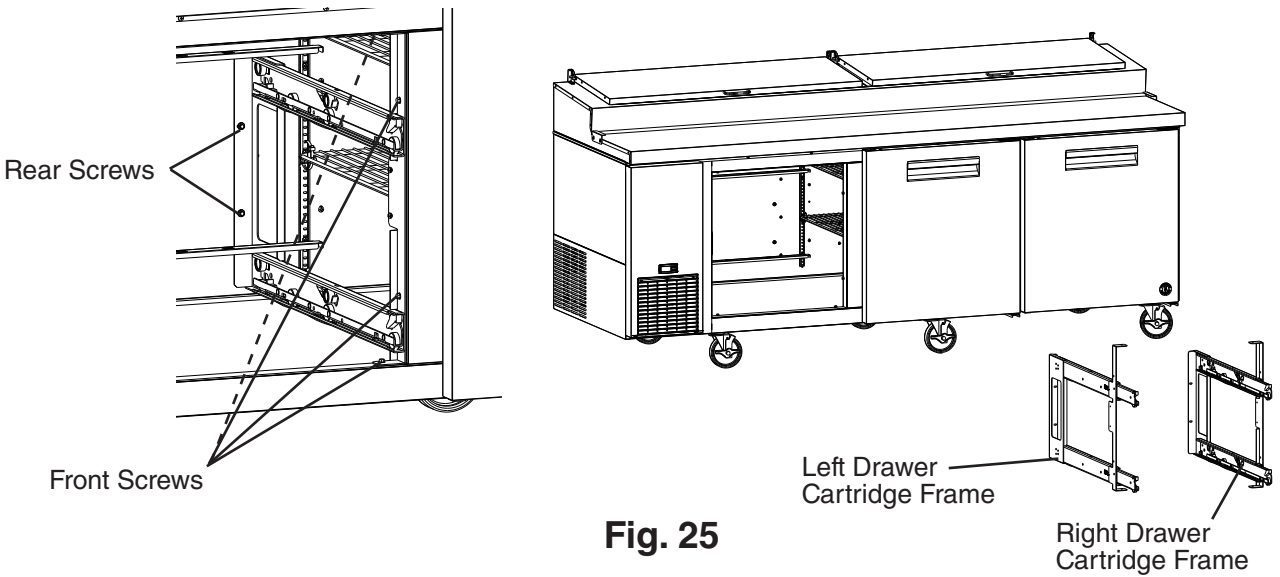
**Fig. 23**

- 3) Remove the 4 mullion screws, then cut the front mullion silicone loose and remove the mullion. See Fig. 24.



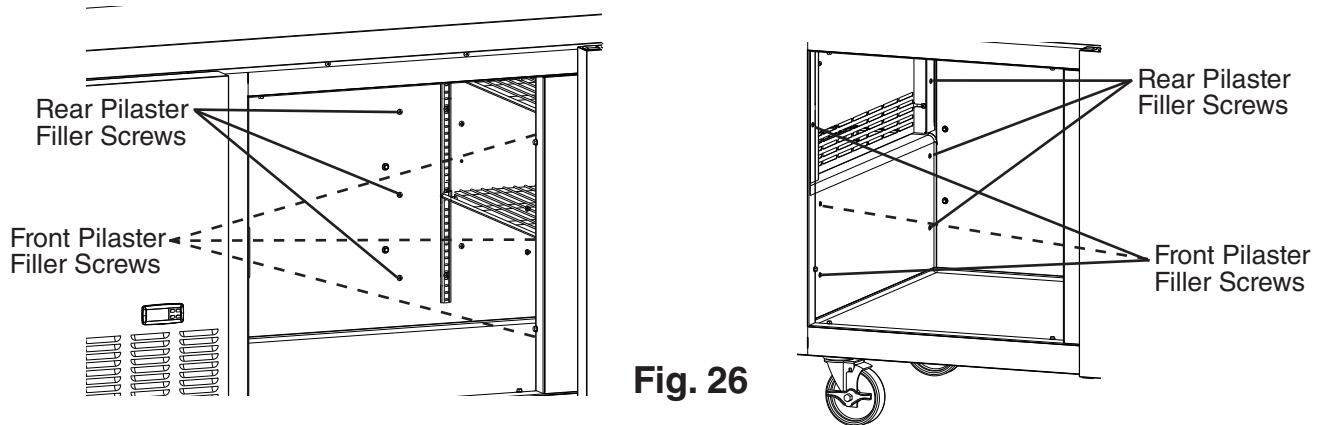
**Fig. 24**

- 4) Remove the 4 rear screws from the left and right drawer cartridge frames (2 per side). See Fig. 25.
- 5) Remove the 8 front screws from the left and right drawer cartridge frames (4 per side), then remove the cartridge frames from the unit.

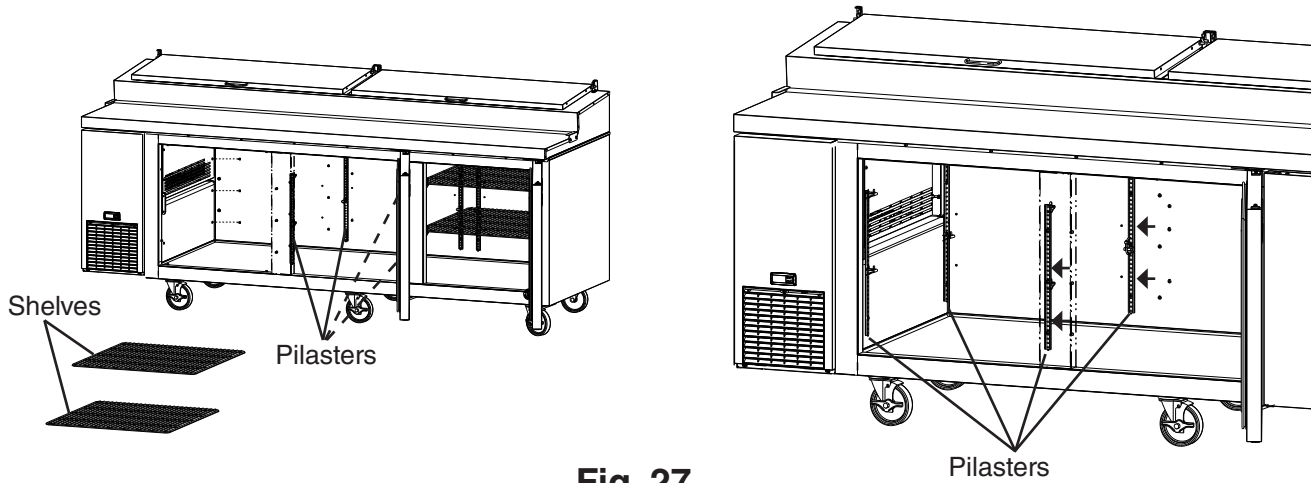


### **Pilaster and Filler Screw Relocation**

- 6) Remove the 12 pilaster filler screws from the current drawer section. See Fig. 26.

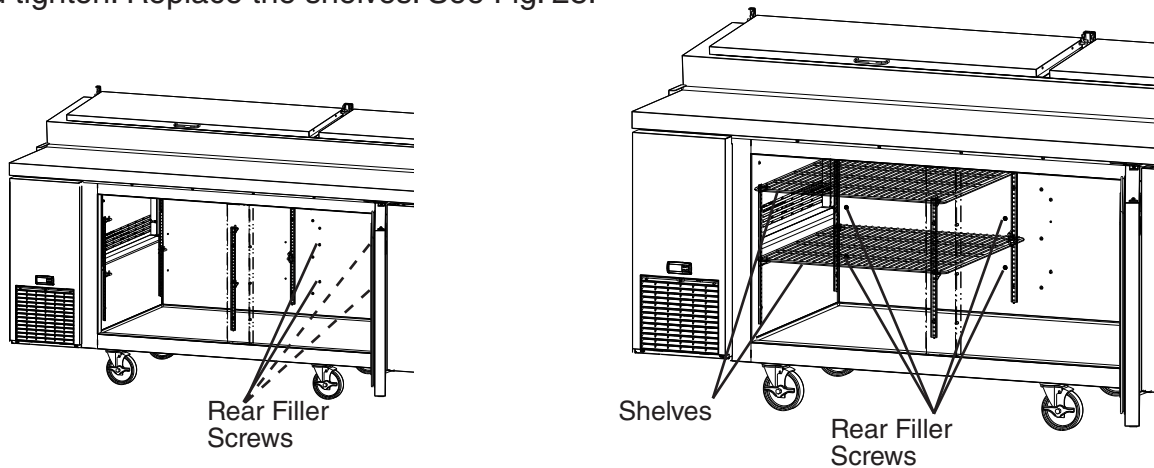


- 7) Remove the shelves from the door section, then remove the pilasters and place and secure them in the new location (current drawer location). See Fig. 27. Note: Other than in a center location, outer pilasters mount on the side wall not the rear wall.
- 8) Place and secure the pilaster filler screws removed in step 6 into the new drawer location (current door location).



**Fig. 27**

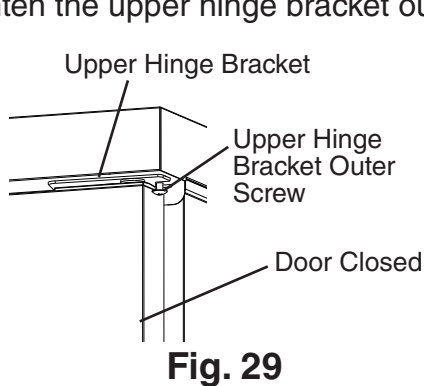
- 9) Remove the drawer cartridge frame rear filler screws from the new location (current door location). Place the drawer cartridge frame filler screws in the new door location and tighten. Replace the shelves. See Fig. 28.



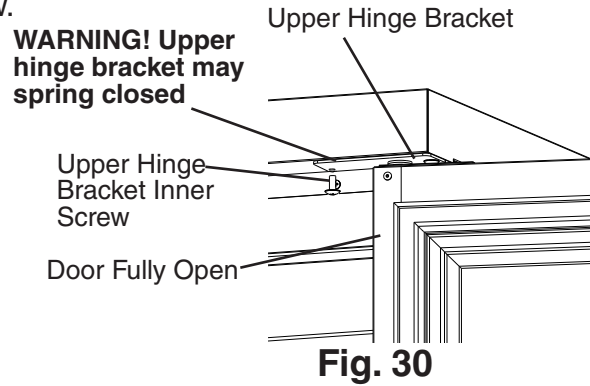
**Fig. 28**

## Door Relocation

- 10) With the door closed, loosen, but do not remove, the upper hinge bracket outer screw. See Fig. 29. Next, open the door to the fully open position and remove the upper hinge bracket inner screw. See Fig. 30.
- 11) Slide the upper hinge bracket out from under the outer screw and remove the door. **WARNING! Keep away from upper hinge bracket. Upper hinge bracket may spring closed.**
- 12) Replace the upper hinge bracket inner screw in its original position and tighten, then tighten the upper hinge bracket outer screw.

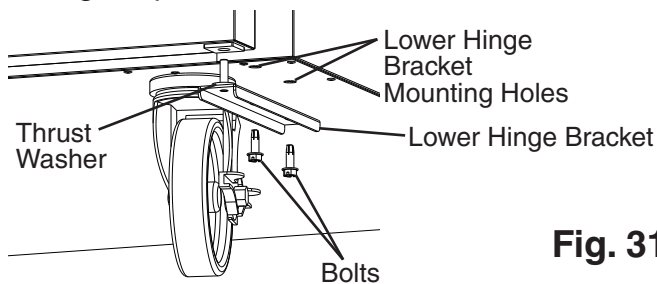


**Fig. 29**

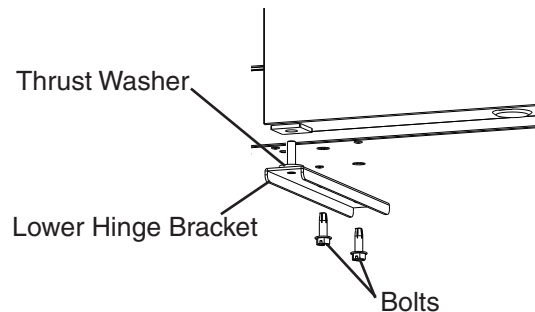


**Fig. 30**

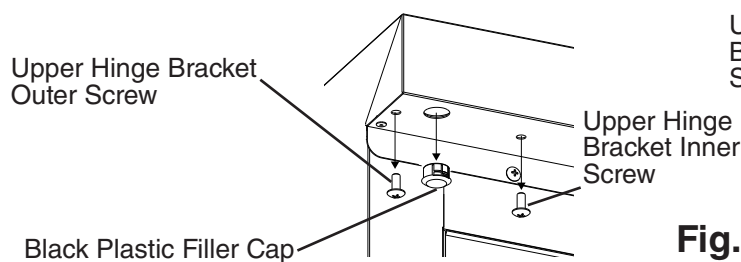
- 13) Remove the lower hinge bracket. See Fig. 31. Be sure to leave the thrust washer in place.
- 14) Clear the foam from the lower hinge bracket mounting holes prior to securing the lower hinge bracket in its new location. Install the lower hinge bracket in its new location. Be sure the lower hinge bracket is pushed all the way in and the thrust washer is in its original position.



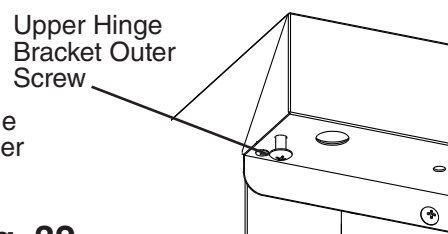
**Fig. 31**



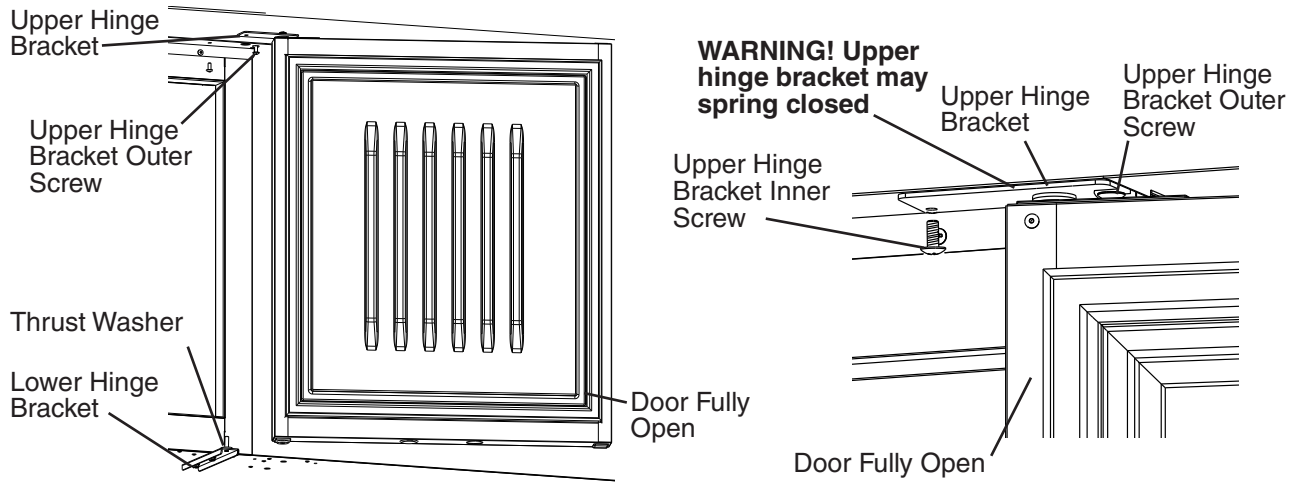
- 15) Remove the black plastic filler cap located from the hole above where the spring cartridge screw will line up. Note: The black plastic filler cap is not reusable.
- 16) Remove the upper hinge bracket screws from the new location and apply Loctite Threadlocker Blue 242 or 243 to the threads. Next, start the upper hinge bracket outer screw into the appliance. Rotate a few threads into the appliance; do not tighten the screw. See Fig. 32.



**Fig. 32**

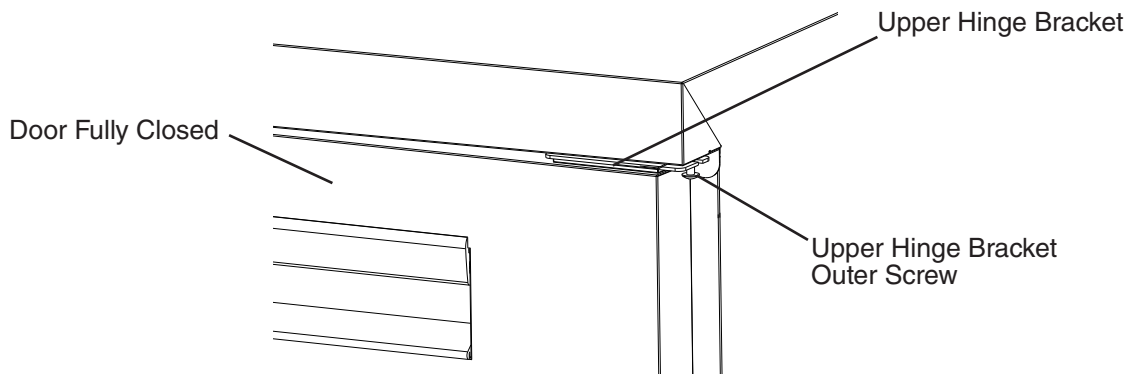


- 17) Be sure the lower hinge bracket thrust washer is in place, then place the door on the lower hinge bracket in the fully open position. Slide the door upper hinge bracket outer slot onto the upper hinge bracket outer screw. See Fig. 33.
- 18) Install the upper hinge bracket inner screw and tighten.



**Fig. 33**

- 19) Close the door and tighten the upper hinge bracket outer screw. See Fig. 34.



**Fig. 34**

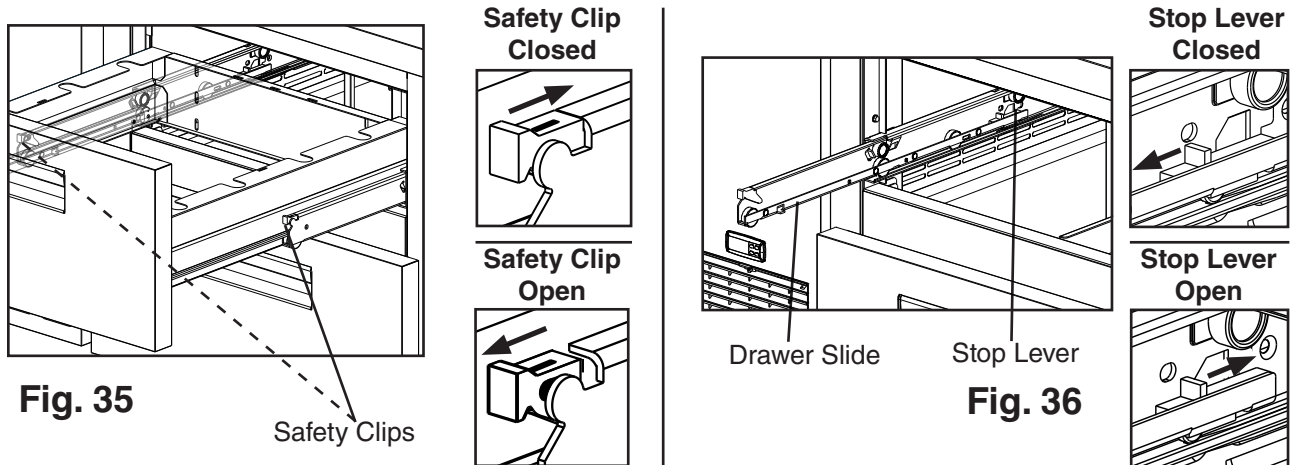
- 20) Check the door operation to assure it opens and closes properly. Note: Hold door at 45° angle from closed position and release. Door should close on its own. If not, adjust hinge bracket.

## Drawer Relocation

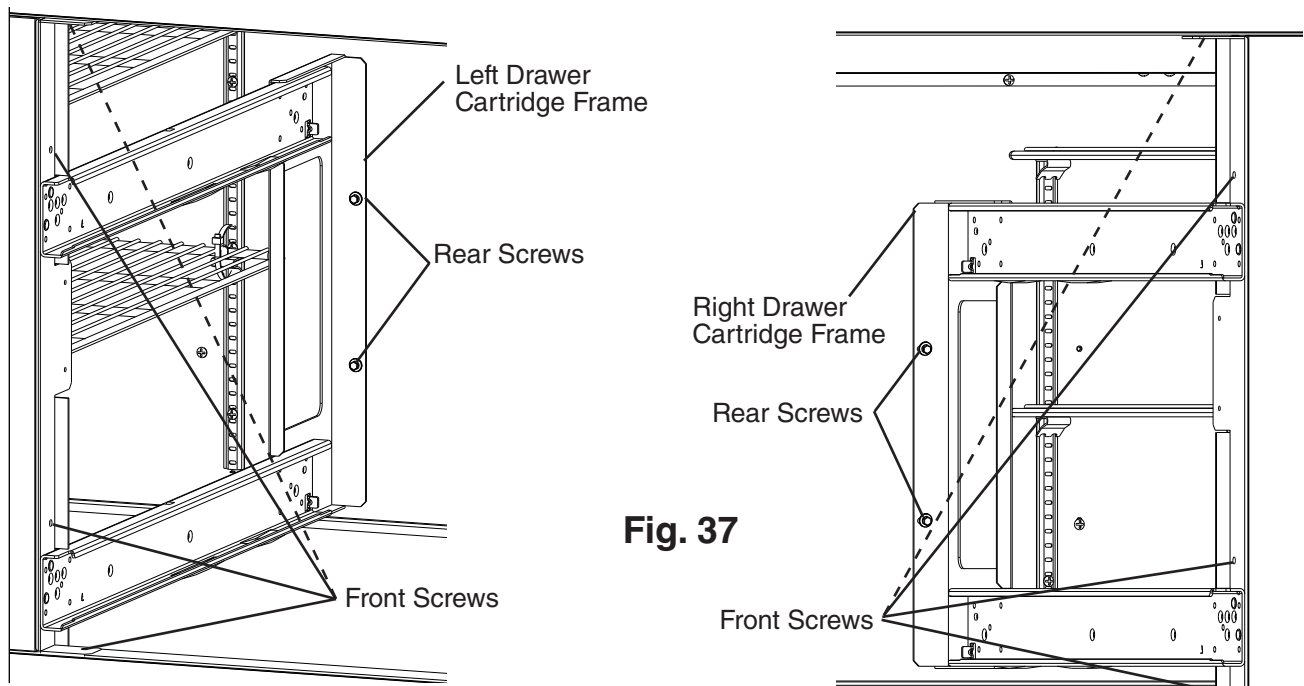
Drawers and drawer slides are removable.

- **To remove a drawer:** Remove all items from the drawer. Pull the drawer out to its fully extended position. Open the safety clips (one on each side) by sliding them forward. See Fig. 35. Lift up on the handle slightly, then pull to disengage the drawer. Be sure to support the rear and front of the drawer while removing it. **WARNING! Be sure to close the safety clips when reinstalling the drawer.**
- **To remove a drawer slide (center slide containing rollers):** Open the stop levers (one on each side) by sliding them to the rear. See Fig. 36. Lift up on the drawer slide slightly, then pull to disengage the drawer slide. **WARNING! Be sure to close the stop levers when reinstalling the drawer.** Drawer slides do not require lubrication, but drawer slides should be kept clean and free of food.

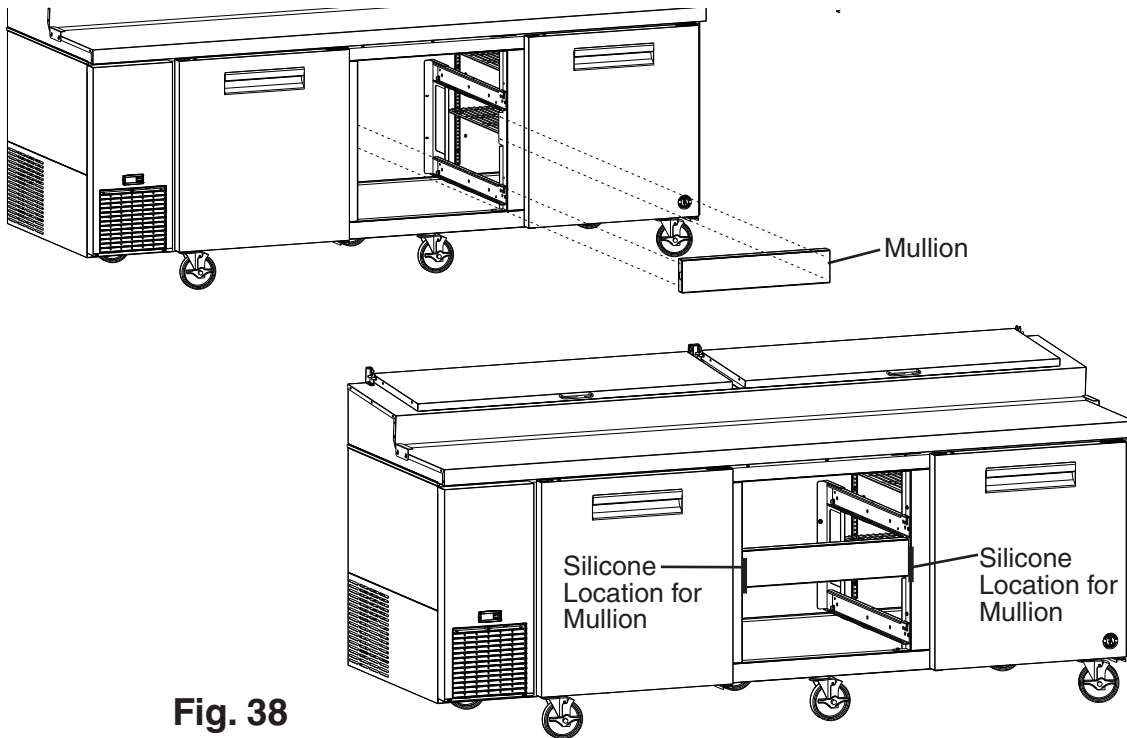
Note: Drawer slides are dishwasher safe.



- 21) Place a drawer cartridge frame in place and secure to the rear panel with screws removed in step 4. See Fig. 37.
- 22) Using a 1/8" drill bit, drill pilot holes in all 4 front mounting holes.
- 23) Secure the drawer cartridge to the appliance with the screws removed in step 5.
- 24) Repeat steps 21 through 23 for the opposite side drawer cartridge frame.

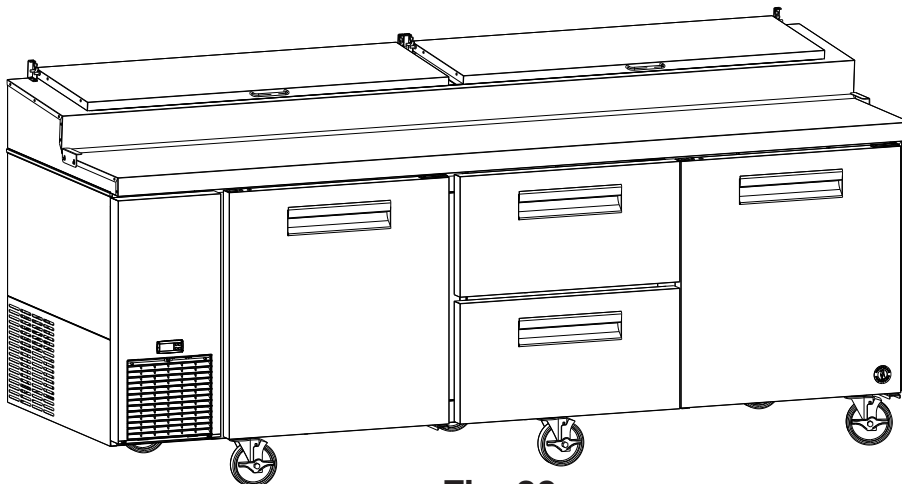


- 25) Place the mullion in its correct position and secure with screws removed in step 3.
- 26) Place a bead of food grade silicone down the 2 outside vertical gaps between the mullion and appliance. See Fig. 38.



**Fig. 38**


- 27) Place the lower drawer in the lower drawer slides and the upper drawer in the upper drawer slides. See Fig. 39. **WARNING! Be sure to close the safety clips when reinstalling the drawer.**
- 28) Make sure all gaskets are making good contact. Using a flashlight, check that there are no openings around all gaskets.
- 29) Unlock the casters and move the appliance back into its original position. Lock the casters once in position, then plug the appliance back into the electrical outlet. Allow the appliance to cool down prior to putting product back in.



**Fig. 39**

## F. Electrical Connection

### **WARNING**

- Electrical connection must meet national, state, and local electrical code requirements. Failure to meet these code requirements could result in death, electric shock, serious injury, fire, or severe damage to equipment.
  - The appliance requires an independent power supply of proper capacity. See the nameplate for electrical specifications. Failure to use an independent power supply of proper capacity can result in a tripped breaker, blown fuse, damage to existing wiring, or component failure. This could lead to heat generation or fire.
  - **THE APPLIANCE MUST BE GROUNDED.** The appliance is equipped with a NEMA 5-15 three-prong grounding plug  to reduce the risk of potential shock hazards. It must be plugged into a properly grounded, independent 3-prong wall outlet. If the outlet is a 2-prong outlet, it is your personal responsibility to have a qualified electrician replace it with a properly grounded, independent 3-prong wall outlet. Do not remove the ground prong from the power cord and do not use an adapter plug. Failure to follow these instructions may result in death, electric shock, or fire.
  - To reduce the risk of electric shock, do not touch the plug with damp hands.
  - Do not use an extension cord.
  - Do not use an appliance with a damaged power cord. The power cord should not be altered, jerked, bundled, weighed down, pinched, or tangled. Such actions could result in electric shock or fire. To unplug the appliance, be sure to pull the plug, not the cord, and do not jerk the cord.
  - The GREEN ground wire in the factory-installed power cord is connected to the appliance. If it becomes necessary to remove or replace the power cord, be sure to connect the power cord's ground wire.
- 
- Usually an electrical permit and services of a licensed electrician are required.
  - The maximum allowable voltage variation is  $\pm 10$  percent of the nameplate rating.

## **G. Final Checklist**

- 1) Is the appliance level?
- 2) Have the casters been properly installed and have the front casters been locked?
- 3) Is the appliance in a site where the ambient temperature is constantly within 45°F to 86°F (7°C to 30°C)?
- 4) Have the shipping carton, tape, and packing material been removed from the appliance?  
Has the protective plastic film been removed from both the exterior panels and the interior door/drawer panel?
- 5) Have the appliance and accessories been checked for shipping damage?
- 6) Is there at least 1" (3 cm) clearance at sides for proper air circulation? Are the factory-installed rear bumpers in place to ensure proper rear clearance? Is there at least 10" (25 cm) clearance above the rail to allow the rail cover to open?
- 7) Have the pans, rail dividers, and cutting board (cutting board brackets) been cleaned and properly installed? Have any gaps in the rail area been properly addressed with rail dividers?
- 8) Has the power supply voltage been checked or tested against the nameplate rating?  
Is the power supply a properly grounded, independent wall outlet? Does the electrical connection meet all national, state, and local code and regulation requirements.
- 9) Have the refrigerant lines been checked to make sure they do not rub or touch other lines or surfaces? Has the condenser fan blade been checked to make sure it turns freely?  
Is the compressor securely attached?
- 10) Have the shelves been adjusted to the desired height?
- 11) Has the end user been given the instruction manual, and instructed on how to operate the appliance and the importance of the recommended periodic maintenance?
- 12) Has the end user been given the name and telephone number of an authorized service agent?
- 13) Has the warranty card been filled out and forwarded to the factory for warranty registration?

## II. Operating Instructions

### A. Important Notes About Usage

#### **DANGER**

##### Risk of Fire or Explosion

##### Flammable Refrigerant Used

- Do not use mechanical devices to defrost.
- Do not puncture refrigerant tubing. Risk of fire or explosion due to puncture of refrigerant tubing; follow handling instructions carefully.
- Do not place any potential ignition sources in or near the appliance.

##### Risque De Feu Ou D'Explosion

##### Le Frigorigène Est Inflammable

- Ne pas utiliser d'appareils mécaniques pour dégivrer le réfrigérateur.
- Ne pas perforer la tubulure contenant le frigorigène. Risque de feu ou d'explosion si la tubulure contenant le frigorigène est perforée; suivre les instructions de manutention avec soin.
- Ne placez aucune source d'inflammation potentielle dans ou près de l'appareil.

#### **WARNING**

- Only qualified service technicians should install and service the appliance.
- Wear appropriate personal protective equipment (PPE) when servicing the appliance.
- Failure to install, operate, and maintain the appliance in accordance with this manual may adversely affect safety, performance, component life, and warranty coverage.
- To reduce the risk of electric shock, do not touch the plug with damp hands.
- Do not splash, pour, or spray water directly onto or into the appliance. This might cause short circuit, electric shock, corrosion, or failure.

- The appliance is not intended for use by persons (including children) with reduced physical, sensory, or mental capabilities, or lack of experience and knowledge, unless they have been given supervision or instruction concerning use of the appliance by a person responsible for their safety.
- Children should be properly supervised around the appliance.
- Do not climb, stand, or hang on the appliance or doors/drawers or allow children or animals to do so. Do not climb into the appliance or allow children or animals to do so. Death or serious injury could occur or the appliance could be damaged.
- Be careful not to pinch fingers when opening and closing the doors/drawers or rail cover or when handling food pans. Be careful when opening and closing the doors/drawers or rail cover when children are in the area.
- Open and close the doors/drawers and rail cover with care. Opening the doors/drawers or rail cover too quickly or forcefully may cause injury or damage to the appliance or surrounding equipment.
- Do not use combustible spray or place volatile or flammable substances in or near the appliance. They might catch fire.
- Keep the area around the appliance clean. Dirt, dust, or insects in the appliance could cause harm to individuals or damage to the equipment.
- Do not throw anything onto the shelves or load any single shelf with more than 120 lb. (54.5 kg) of product. They might fall off and cause injury.
- Do not load any single drawer with more than 75 lb. (34 kg) of product. Depending on the weight of product in the drawers, secure the unit as necessary to prevent it from overturning. Do not open more than one drawer at a time.

**⚠ WARNING, continued**

- The appliance is designed only for temporary storage of food. Employ sanitary methods. Use for any other purposes (for example, storage of chemicals or medical supplies such as vaccine and serum) could cause deterioration of stored items.
- Do not block air inlets or outlets, otherwise cooling performance may be reduced.
- Do not tightly pack the cabinet. Allow some space between items to ensure good air flow. Also allow space between items and interior surfaces.
- Do not put warm or hot foods in the cabinet. Let them cool first, or they will raise the cabinet temperature and could deteriorate other foods in the cabinet or overload the appliance.
- Food storage and handling must comply with applicable codes and regulations.
- All foods should be wrapped in plastic film or stored in sealed containers. Otherwise foods may dry up, pass their smells onto other foods, cause frost to develop, result in poor appliance performance, or increase the likelihood of cross-contamination. Certain dressings and food ingredients, if not stored in sealed containers, may accelerate corrosion of the evaporator, resulting in failure.
- Do not store items near air outlets. Otherwise, items may freeze up and crack or break causing a risk of injury or contamination of other food.

- The entire rail must always be covered by rail dividers and pans. Otherwise, the appliance will not cool properly. Use only pans up to 6" (15 cm) deep. Do not use damaged rail dividers or pans. For rail divider and pan combinations, see "I.C.6. Properly Align Pans and Rail Dividers."
- Ingredients must be pre-chilled to 37°F (3°C) or less before placing in rail.
- Keep the rail cover closed when not actively preparing food.
- The rail is for keeping ingredients cool while preparing food. If not actively preparing food for a long period such as overnight, seal pans with plastic wrap in addition to closing the rail cover.
- During daytime operation with the rail cover(s) open, do not block the rail light sensor. Blocking the rail light sensor initiates night mode operation. For details, see "II.C. Control and Adjustments."

## ***NOTICE***

- Protect the floor when moving the appliance to prevent damage to the floor.
- Keep ventilation openings clear of obstruction.
- The factory-installed rear bumpers must be in place to ensure proper rear clearance. Blockage of airflow could negatively affect performance and damage the appliance.
- Do not allow the appliance to bear any outside weight.
- To prevent deformation or cracks, do not spray insecticide onto the plastic parts or let them come into contact with oil.
- To avoid damage to the gasket, use only the door/drawer handle when opening and closing.
- Do not leave the doors/drawers open.
- To avoid damage to the top seal, do not lift the appliance by the top section or remove the top section.
- Do not place anything on top of the rail cover. The rail cover is not designed to bear any outside weight.
- Do not place anything on the air duct panels beneath the pans in the rail. The air duct panels are not load-bearing.
- A minimum of 10" (25 cm) clearance above the rail should be provided to allow the rail cover to open.

## B. Pre-Startup and Startup

### ⚠ WARNING

All parts are factory-adjusted. Improper adjustments may adversely affect safety, performance, component life, and warranty coverage.

#### 1. Pre-Startup:

- 1) Wash the pans and cutting board before use.
- 2) Confirm all pans and rail dividers are in place. Do not leave any gap between pans or appliance. Close the rail cover(s). **NOTICE! The entire rail must be covered by rail dividers and pans (up to 6" (15 cm) deep) and the rail cover must be closed at startup. Otherwise, the appliance will not cool down properly.** See "I.C.6. Pans and Rail Dividers" for details. Leave the pans empty until the appliance cools down. **WARNING! When the rail cover is open, make sure the rear pins on both sides of the rail cover are securely in the rear slots and the front pins are resting securely in the notches. Otherwise, the rail cover could close suddenly and cause injury.**
- 3) If not already installed, install the cutting board. See "I.C.7. Attach the Cutting Board" for details. **WARNING! Make sure the cutting board brackets and cutting board are secure. Otherwise, the cutting board could come off and cause injury.**
- 4) Locate the rail control dial inside the cabinet and confirm the rail control dial is set to 5. See Fig. 40. The rail control dial is located on the left side wall of the cabinet interior. **Factory Default: 5 (27°F (-2.8°C)).**

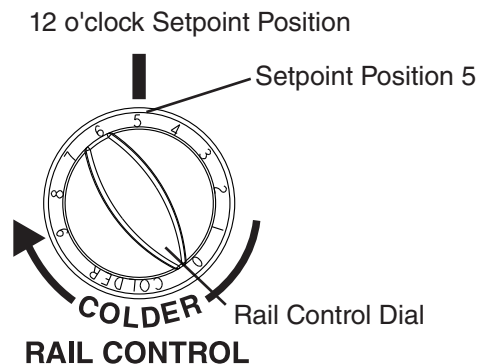
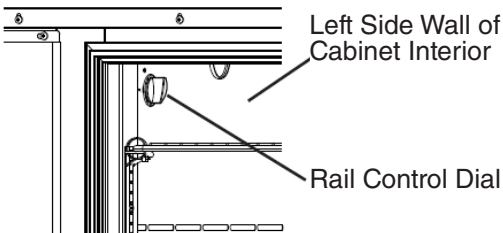
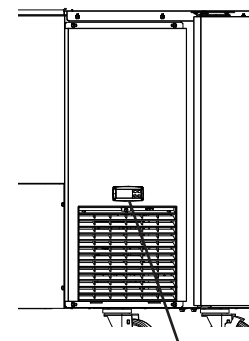


Fig. 40

#### 2. Startup:

- 5) Plug the appliance into the electrical outlet. **WARNING! To reduce the risk of electric shock, do not touch the plug with damp hands.** At startup, there is a slight delay before the compressor starts.
- 6) Confirm the cabinet control setpoint is 35°F (1.7°C) on the cabinet control module located on the front panel. See Fig. 41. To confirm the setpoint, press the up arrow key for 2 seconds and release. The setpoint flashes. If not set to 35°F (1.7°C), see "II.C.2 Cabinet Temperature Control" below. **NOTICE! Cabinet temperature control does not control compressor operation. Only cabinet fan motor operation. For compressor operation control see "II.C. Rail Control Dial Adjustment."**
- 7) Allow the appliance to cool down prior to loading it with food products. Confirm all rail dividers and pans are in place.



Cabinet Control Module

Fig. 41

8) The cabinet control module will display "dEF" for 30 minutes at initial startup to prechill the rail. This can be bypassed by pressing and releasing the 'U' button (standby button) twice to turn the cabinet control module off and on again. See Fig. 42.



**Fig. 42**

### C. Controls and Adjustments

This appliance utilizes a rail control module, rail control dial, rail light sensor, and a cabinet control module. See Fig. 43.

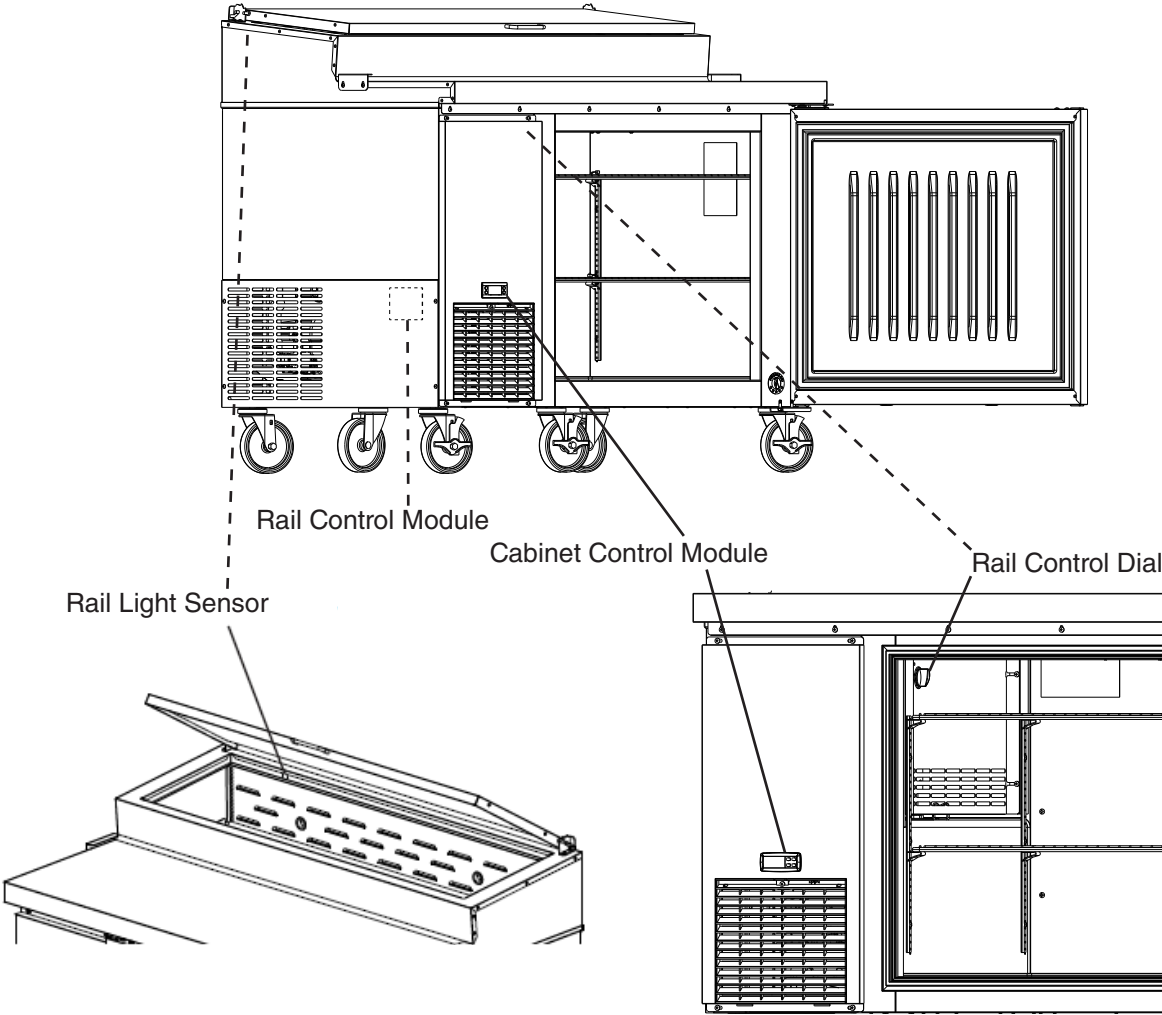


Fig. 43

## 1. Rail Area Day Mode and Night Mode Temperature Control

This appliance utilizes 2 controls to control the temperature in the rail area: The rail control dial and the rail light sensor. See Fig. 44. The rail light sensor communicates to the rail control module whether the rail cover is open or closed. When the cover is open, the rail is in day mode and maintains the temperature set using the rail control dial. When the rail cover is closed, the rail is in night mode and the rail temperature is automatically adjusted. See below for details.

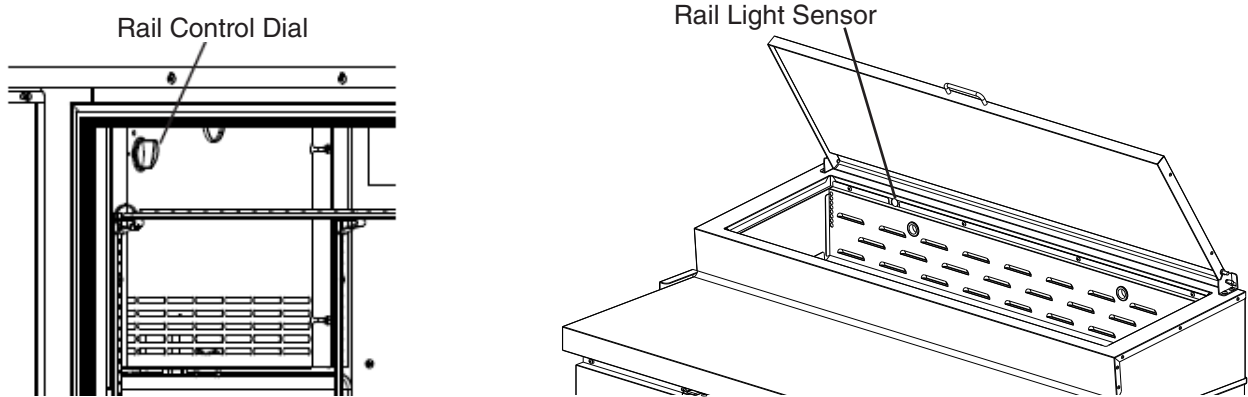


Fig. 44

- a) **Rail Control Dial Adjustment.** To adjust day mode temperature setpoint, rotate the control knob counterclockwise for a warmer setting and clockwise for a colder setting. See Fig. 45. 1 is the warmest setting and 9 is the coldest setting. Note: There is a 2.25°F (1.25°C) difference between each number setting on the control knob. Night mode is a programmed temperature offset of 8°F (4.4°C) above the day mode rail control dial setting. **NOTICE! The rail control dial controls compressor operation. It does not control cabinet fan motor operation. For cabinet fan motor operation control see "II.C.2. Cabinet Temperature Control."**

**Factory Default:** 5 (27°F (-2.8°C)).

- b) **Rail Cover Open; Day Mode:** With the rail cover open, day mode engages. The rail light sensor communicates with the rail control module to maintain the temperature setting of the rail control dial.
- c) **Rail Cover Closed; Night Mode:** With the rail cover closed, night mode engages. The rail light sensor communicates with the rail control module to maintain offset rail temperature setting for night time storage of product in the rail area. **WARNING! To prevent night time mode from engaging during day time mode operation, make sure the rail light sensor is clean and not obstructed.**

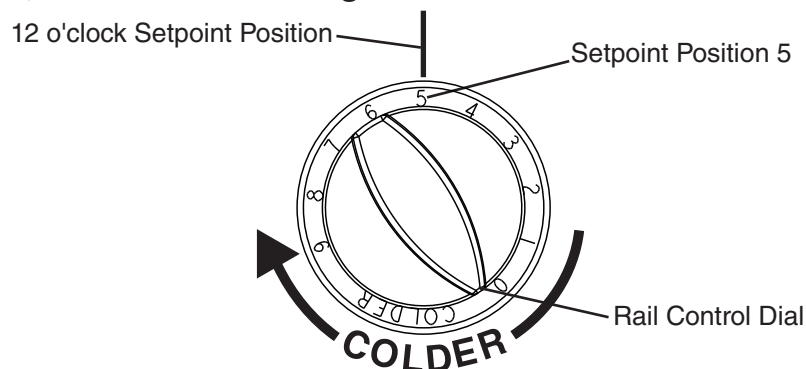


Fig. 45 RAIL CONTROL

## 2. Cabinet Temperature Control and Display

The cabinet temperature is controlled by the cabinet control module and cabinet fan motor(s) in conjunction with the rail control dial, rail control module, and cabinet fan relay. The cabinet control module energizes the cabinet fan motor(s) when needed.

Note: The cabinet control module does not energize or de-energize the compressor.

**WARNING! Adjusting the cabinet temperature setpoint only affects cabinet fan motor operation. It does not control compressor operation.** The cabinet fan motor draws its cooling air from the rail area when the rail area is calling for cooling and the compressor is energized.

- a) **Cabinet Temperature Setpoint Adjustment:** The cabinet temperature is displayed on the control module. To change the cabinet temperature setpoint, press the up arrow and release. See Fig. 46. SP1 and the cabinet setting flashes. Press the up or down arrow button to the desired temperature setpoint. 5-sec. later, the temperature setpoint is saved and the display returns to normal display. **NOTICE! Do not adjust the temperature setpoint more than 2°F (1°C) at a time. Allow the temperature to stabilize for a minimum of 8 hours before making further temperature setpoint adjustments.**

**Factory Default: 35°F (1.7°C)**

- b) **Cabinet Temperature Display Scale (°F or °C):**

There are 4 temperature display settings from which to choose.

The factory temperature display default is F0 for °F whole number.

For a whole number temperature display scale value, select F0 or C0.

For a temperature display scale value to one decimal point, select F1 or C1.

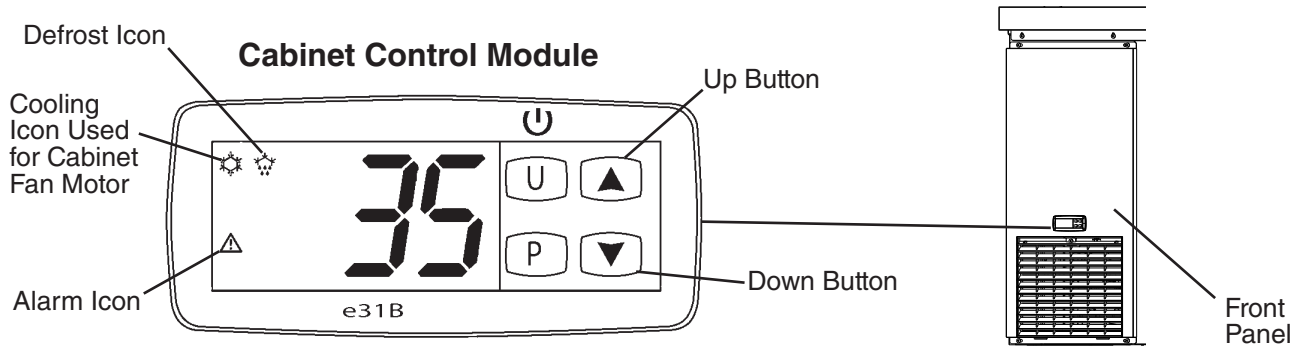
Display Scale	Temperature Display Style
F0 - Factory Default	35°F
C0	2°C
F1	35.0°F
C1	1.7°C

To change the temperature display scale value, follow the steps below:

- 1) Press the "U" and "P" buttons together for 5 seconds. i.uP is displayed.
- 2) Press the "P" button. The current display setting (F0, F1, C0, or C1) and i.uP start flashing.
- 3) Press the up or down button until the desired temperature display style is displayed.

4) Press the "P" button to save the selection. r.uP is displayed. To return to normal display mode, press and hold the "U" button for 5 sec. Display returns to normal display mode. If no other button is pressed after pressing the "P" button, 25 sec. later, display returns to normal display mode.

Note: If no selection is saved within 30 seconds, the display returns to normal mode and the temperature display scale remains unchanged.



**Fig. 46**

### D. Cabinet Control Display Icons

Control module icons inform you of energized components and if the appliance is in alarm. Note: Cooling icon used for cabinet fan motor operation.

Control Module Icons	
Icon	Meaning
	Cooling icon used for Cabinet Fan Motor  Cabinet thermistor calling for cooling. Cabinet fan motor energized if compressor energized. Note: Control module cooling icon used for cabinet fan motor operation.
	Alarm  Appliance is in alarm. See "II.F. Alarm Safeties" for details.
	Defrost  Appliance is in defrost cycle. See "II.E. Defrost" for details.

## E. Defrost

### **⚠ DANGER**

#### **Risk of Fire or Explosion Flammable Refrigerant Used**

- Do not use mechanical devices to defrost.
- Do not puncture refrigerant tubing. Risk of fire or explosion due to puncture of refrigerant tubing; follow handling instructions carefully.

#### **Risque De Feu Ou D'Explosion Le Frigorigène Est Inflammable**

- Ne pas utiliser d'appareils mécaniques pour dégivrer le réfrigérateur.
- Ne pas perforer la tubulure contenant le frigorigène. Risque de feu ou d'explosion si la tubulure contenant le frigorigène est perforée; suivre les instructions de manutention avec soin.

### 1. Automatic Defrost

Defrost is a time/temperature initiated, temperature terminated heated defrost.

- Defrost Initiation: When the appliance is plugged in, the 6 hr. defrost timer starts. Once the 6 hr. defrost timer terminates, the rail control module checks the defrost thermistor for defrost initiation temperature of 41°F (5°C) or below. If the defrost thermistor is not at or below 41°F (5°C), the rail control module continues in the cooling mode. If defrost thermistor is at or below 41°F (5°C), defrost initiates. If energized, the compressor, rail fan motor(s), and cabinet fan motor(s) de-energize. Defrost heater energizes, cabinet display cooling icon turns off, defrost icon turns on, and "dEF" is displayed.

Note: To manually reset the 6-hr. defrost timer, initiate a manual defrost then terminate using the same procedure as initiating a manual defrost.

See "II.E.2. Manual Defrost" below.

- Cabinet Display During Defrost: "dEF" is displayed. The cooling (cabinet fan motor) icon turns off and the defrost icon turns on. The defrost icon and "dEF" are displayed for 30 min. Note: Cabinet fan motor(s) are locked out during the 30-min. defrost icon and "dEF" display time. The compressor and rail fan motor(s) are controlled separately by the rail thermistor and rail control module.
- Defrost Termination: After the 5-min. minimum defrost timer terminates and the defrost thermistor warms to 41°F (5°C), the rail control module terminates defrost and resets the 6 hr. defrost timer. Note: Cabinet display is not affected by the rail defrost thermistor temperature and continues to show "dEF" until the 30-min. "dEF" display timer terminates.
- The compressor and rail fan motor(s) energize 3-min. after defrost termination (drip time). Note that the 3 min. rail fan motor delay time is a maximum; if the defrost thermistor cools to 36°F (2.2°C) before the 3 min. rail fan motor delay timer terminates, the rail fan motor(s) energize.

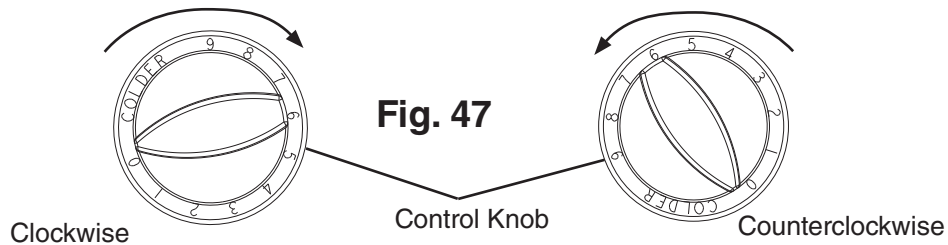
- **Cabinet Display After Defrost:** After the 30-min. "dEF" display timer terminates, and the cabinet thermistor is above setpoint, the cooling (cabinet fan motor) icon turns on, the cabinet fan motor(s) energize, and the "dEF" display changes to "PdF". "PdF" is displayed for 30 min. or until the cabinet temperature cools to 1.8°F (1°C) above setpoint; the cabinet display then returns to cabinet temperature.

## 2. Manual Defrost

To manually initiate or terminate a defrost cycle: Turn the control knob clockwise to put the control knob 9 setting in the 12 o'clock position, pause for 3 to 5 sec., then turn the control knob counterclockwise to any position below control knob 7 setting in the 12 o'clock position. Defrost initiates or terminates within 5 sec. See Fig. 47.

Note: When defrost is manually initiated it continues through the normal defrost cycle unless manually terminated. Cabinet display is not affected by the rail control and continues to show "dEF" until the 30-min. "dEF" display timer terminates.

To manually terminate defrost and reset the defrost timers and return the cabinet control module back to the cabinet temperature display, unplug the appliance from the electrical outlet, then plug it back into the electrical outlet or turn the breaker off and back on.



## F. Cabinet Control Alarm Safeties

No alarms are available for the rail control module. The cabinet control module is the only control with alarm capabilities. Alarm signals are designed to protect the appliance and food product. These alarms give information or warnings in the event the appliance is operating out of acceptable parameters. Should one of the alarms occur, follow the instructions in the table below to address the alarm. The alarm code and alarm icon flash with audible alarm.

Alarm Signals		
Alarm Code	Problem	Corrective Action/Reset Details
(-)E1	Cabinet Thermistor Malfunction Alarm  Cabinet thermistor has failed.	Call a qualified service technician.  Steady tone. To silence the alarm, press and release any button.  Appliance cycles 5 min. on, 5 min. off. -E1 - Cabinet thermistor out of place or open. E1 - Cabinet thermistor shorted.
Hi	High Temperature Alarm  Cabinet temperature has remained above 57°F (13.9°C) for more than 1 hour.	If obvious corrections such as closing doors/drawers and cleaning the air filter and/or condenser do not bring temperature back in range, call a qualified service technician.  Steady tone. To silence the alarm, press and release any button. The alarm icon stays on.  Automatically resets when temperature returns to normal.
Lo	Low Temperature Alarm  Cabinet temperature has remained below 20°F (-6.6°C) for more than 1 hour.	If obvious corrections do not bring the temperature back in range, call a qualified service technician.  Steady tone. To silence the alarm, press and release any button. The alarm icon stays on.  Automatically resets when temperature returns to normal.

## G. Food Storage

### WARNING

- The appliance is designed only for temporary storage of food. Employ sanitary methods. Use for any other purposes (for example, storage of chemicals or medical supplies such as vaccine and serum) could cause deterioration of stored items.
- Do not block air inlets or outlets, otherwise cooling performance may be reduced.
- Do not tightly pack the cabinet. Allow some space between items to ensure good air flow. Also allow space between items and interior surfaces.
- Do not put warm or hot foods in the cabinet. Let them cool first, or they will raise the cabinet temperature and could deteriorate other foods in the cabinet or overload the appliance.
- All foods in the cabinet should be wrapped in plastic film or stored in sealed containers. Otherwise foods may dry up, pass their smells onto other foods, cause frost to develop, result in poor appliance performance, or increase the likelihood of cross-contamination. Certain dressings and food ingredients, if not stored in sealed containers, may accelerate corrosion of the evaporator, resulting in failure.
- Do not store items near air outlets in the cabinet. Otherwise, items may freeze up and crack or break causing a risk of injury or contamination of other food.
- The entire rail must always be covered by rail dividers and pans. Otherwise, the appliance will not cool properly. Use only pans up to 6" (15 cm) deep. Do not use damaged rail dividers or pans.
- Ingredients must be pre-chilled to 37°F (3°C) or less before placing in rail.
- Keep the rail cover closed when not actively preparing food.
- The rail is for keeping ingredients cool while preparing food. If not actively preparing food for a long period such as overnight, seal pans with plastic wrap in addition to closing the rail cover. Depending on conditions, the cabinet temperature setting may need to be adjusted to prevent items from freezing. Alternatively, seal ingredients and store them in a refrigerator or freezer.

## H. Safety Devices

### 1. Compressor External Protector

If combined temperature/ampere value is above the limit specified by the compressor manufacturer, the compressor protector operates independently to turn off the compressor. The compressor protector de-energizes the compressor until the temperature/ampere value returns to an acceptable level.

### 2. Short-Cycle Protection

There is a 2-minute minimum off-time and on-time for the compressor.

Note: Time may vary with compressor overload or high-pressure switch activation.

## **I. Cooling Performance**

Be sure the appliance is properly installed and located for optimum cooling performance. If cooling performance is not at its optimum level, check the following items:

- Doors/drawers opened too often.
- Doors/drawers left open. Close.
- Cabinet too tightly packed or air inlets/outlets blocked. Allow some space between items to ensure good air flow.
- Warm or hot foods inside. Take them out until they cool down more.
- Ambient temperature too high. Avoid installation near high heat producing equipment or exposure to direct sunlight.
- Temperature setpoint not cold enough. Adjust to a colder setting. See "II.C. Controls and Adjustments" for details.
- Appliance in defrost cycle. The cabinet temperature may rise temporarily during the defrost cycle, but this will not affect the food inside.
- Pans and rail dividers not in place. The entire rail must always be covered by rail dividers and pans (up to 6" (15 cm) deep) or the appliance will not cool properly.
- Warm or hot ingredients inside rail. Only load ingredients that have been pre-chilled to 37°F (3°C) or less.
- Rail cover open when not actively preparing food. When not actively preparing food, close the rail cover.

## **J. Cabinet Condensation**

In the event condensation develops on the cabinet exterior, check the following items:

- Doors/drawers left open. Close.
- Ambient humidity too high. In high humidity areas it may be necessary to wipe off the cabinet frame occasionally.

---

## III. Cleaning and Maintenance Instructions

### A. Cleaning

#### **⚠ WARNING**

- Unplug the appliance before cleaning to prevent electric shock by unexpected entrance of water into the appliance or injury by moving parts. To reduce the risk of electric shock, do not touch the plug with damp hands.
- Before cleaning the appliance, move all foods into another clean refrigerator or freezer.
- Do not splash, pour, or spray water directly onto or into the appliance. This might cause short circuit, electric shock, corrosion, or failure.
- Carefully follow instructions provided with cleaning and sanitizing products.

#### **NOTICE**

- To prevent damage to the plastic surfaces, do not use the following: hot water, thinner, benzine, alcohol, petroleum, soap powder, polishing powder, alkaline cleaner, acid, scouring pad and especially those strong cleaners for use on a ventilating fan or a cooking range.
- To prevent corrosion and damage to stainless steel surfaces, use only products formulated for use on stainless steel appliances. Do not use steel wool, abrasive products, or products containing sodium hypochlorite (chlorine bleach).
- Use a clean cloth for cleaning.

#### **1. Exterior**

Wipe the exterior occasionally with a clean, soft cloth. Use a damp cloth containing a neutral cleaner to wipe off oil or dirt buildup. Clean any rust colored spots using a non-abrasive cleanser.

#### **2. Cabinet Interior**

Spills should be wiped up promptly to avoid unpleasant odors. The cabinet interior should be cleaned periodically with a mild soap or detergent and warm water.

#### **3. Door/Drawer Gaskets**

Door/drawer gaskets should be cleaned regularly with mild soap and warm water to remove dirt and grease.

#### **4. Shelves**

Remove and clean regularly.

#### **5. Rail Light Sensor**

Regularly wipe down the rail light sensor lens (located in the rail area) with mild soap and warm water to remove dirt and grease.

## 6. Drawers

Drawers and drawer slides are removable.

- **To remove a drawer:** Remove all items from the drawer. Pull the drawer out to its fully extended position. Open the safety clips (one on each side) by sliding them forward. See Fig. 48. Lift up on the handle slightly, then pull to disengage the drawer. Be sure to support the rear and front of the drawer while removing it. **WARNING! Be sure to close the safety clips when reinstalling the drawer.**
- **To remove a drawer slide (center slide containing rollers):** Open the stop levers (one on each side) by sliding them to the rear. See Fig. 49. Lift up on the drawer slide slightly, then pull to disengage the drawer slide. **WARNING! Be sure to close the stop levers when reinstalling the drawer.** Drawer slides do not require lubrication, but drawer slides should be kept clean and free of food.

Note: Drawer slides are dishwasher safe.

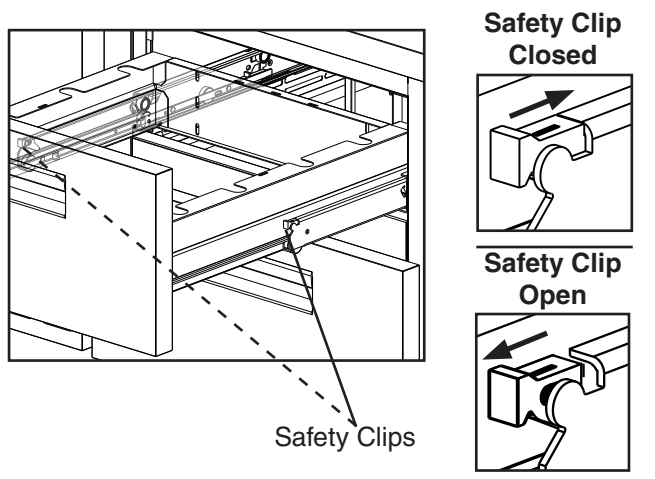


Fig. 48

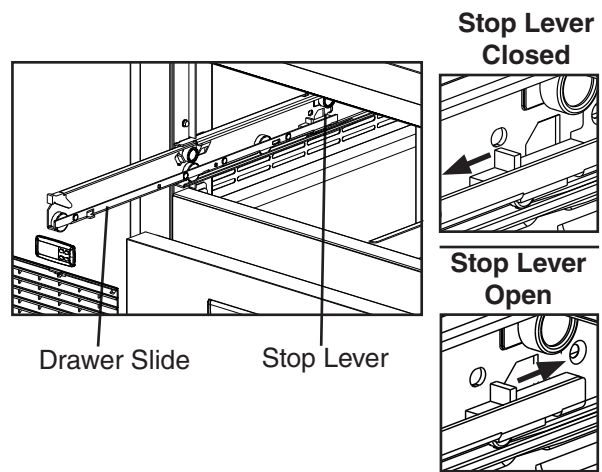


Fig. 49

## 7. Cutting Board

Remove and clean the cutting board as often as necessary to maintain a clean, sanitary work surface. Also clean the space underneath the cutting board as often as necessary to maintain a clean, sanitary surface. After cleaning, slide the cutting board back under the cutting board brackets. **WARNING! Make sure the cutting board brackets and cutting board are secure. Otherwise, the cutting board could come off and cause injury.**

## 8. Pans

Wash pans as often as necessary to maintain clean, sanitary conditions.

## 9. Rail, Rail Dividers, and Rail Cover

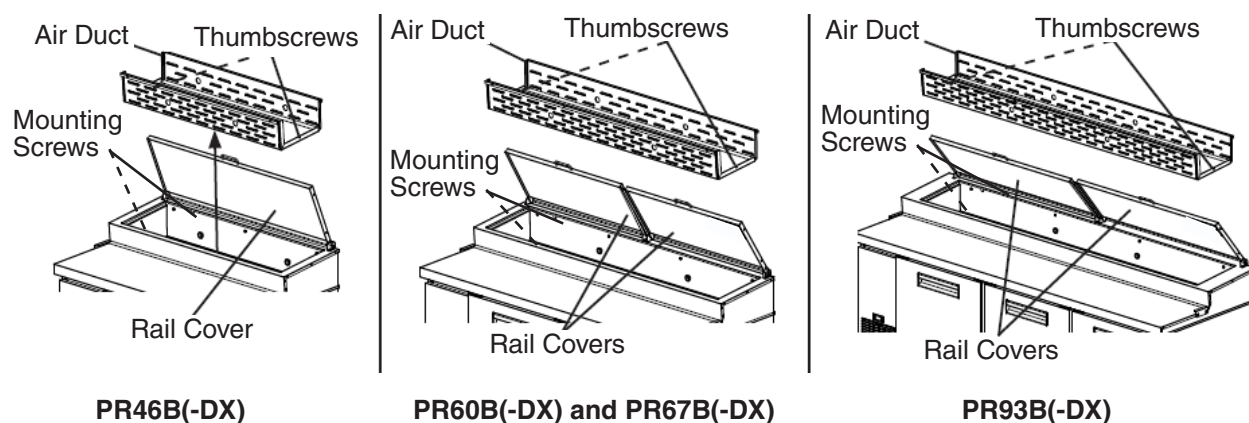
Spills and splashes should be wiped up promptly to avoid unpleasant odors. Wipe the rail area, rail dividers, and rail cover occasionally with a clean, damp sponge or cloth containing a neutral cleaner. Clean any rust colored spots using a non-abrasive cleanser. Do not pour or spray water into the rail area.

### **WARNING!**

- **Support the rail cover when cleaning. Otherwise, the rail cover could close suddenly and cause injury.**
- **Metal edges can cause cuts. Use care and wear protective gloves when cleaning.**

## 10. Rail Air Duct

- 1) Move all foods into another clean refrigerator or freezer.
- 2) Unplug the appliance. **WARNING! To reduce the risk of electric shock, do not touch the plug with damp hands.**
- 3) Remove the pans and rail dividers from the rail. **WARNING! Support the rail cover when cleaning. Otherwise, the rail cover could close suddenly and cause injury.**
- 4) Air Duct Panel and Rail Area Cleaning: **WARNING! Metal edges can cause cuts. Use care and wear personal protective equipment (gloves and goggles) when cleaning.**
  - a) **Daily:** Remove the pans and rail dividers. Wipe the air duct panel and rail area with a mild soap or detergent and warm water. After cleaning, wipe the air duct panel with water.
  - b) **Weekly:** Follow the steps below to remove and clean the air duct panel and rail area.
    - (1) Remove the thumbscrews and front and back mounting screws, then remove the air duct. See Fig. 50.
    - (2) Wipe the air duct panel (top and bottom), rail area (sides and top), and surrounding mounting area with mild soap or detergent and warm water. Clean any rust colored spots using a non-abrasive cleanser. After cleaning, wipe the air duct panel with water.
    - (3) Replace and secure the air duct panel in its correct position. Be sure the thumbscrews and mounting screws are installed and tightened. **NOTICE! Air duct panels must be replaced in the proper location and orientation. See Fig. 49. Otherwise, cooling performance will be reduced.**
- 5) Place the rail dividers and pans (up to 6" (15 cm) deep) into their correct positions. Leave the pans empty until the appliance cools down.
- 6) Close the rail cover. Plug the appliance into the electrical outlet.



**Fig. 50**

- 7) Allow the appliance to cool down prior to loading it with food products. The entire rail must be covered by rail dividers and pans and the rail cover must be closed. Otherwise, the appliance will not cool properly. Leave the pans empty until the appliance cools down.

## B. Maintenance

The appliance must be maintained in accordance with the instruction manual. Consult with your local Hoshizaki Certified Service Representative about maintenance service. Failure to maintain the appliance in accordance with this manual may adversely affect safety, performance, component life, and warranty coverage.

### **WARNING**

- Unplug the appliance before performing maintenance to prevent electric shock or injury by moving parts. To reduce the risk of electric shock, do not touch the plug with damp hands.
- Before performing maintenance, move all foods into another clean refrigerator or freezer.

#### 1. Air Filter

Remove the louver screw and check the air filter at least twice a month. When clogged, remove the air filter. Use warm water and a neutral cleaner to wash the filter. Replace the air filter in its correct position.

#### 2. Condenser

Check the condenser once a year and use a brush or vacuum cleaner to clean the condenser as required. More frequent cleaning may be required depending on conditions.

#### 3. Condensate Drain Hose

Clean the condensate drain as often as necessary to maintain proper flow. Follow the steps below.

- 1) Unplug the appliance from the electrical outlet. **WARNING! To reduce the risk of electric shock, do not touch the plug with damp hands.**
- 2) Remove the left side panel.
- 3) Remove the condensate drain hose.
- 4) Clean the condensate drain hose.
- 5) Replace the condensate hose in its correct position.
- 6) Replace the left side panel in its correct position.
- 7) Plug the appliance back into the electrical outlet.

#### 4. Power Supply Connection

If the plug or power cord is damaged, contact your local Hoshizaki service representative or local Hoshizaki distributor immediately and ask for repairs.

All other maintenance or service on the appliance should be performed in accordance with the Hoshizaki Service Manual by a qualified service technician.

---

## IV. Preparing the Appliance for Periods of Non-Use

When shutting down the appliance for more than one week, follow the instructions below.

<b>⚠ WARNING</b>
------------------

When preparing the appliance for long storage, prevent the doors/drawers from closing to reduce the risk of children getting trapped.
---

<b>NOTICE</b>
---------------

When preparing the appliance for long storage, clean the appliance. See "III.A. Cleaning" for details.
--

- 1) Before shutting down the appliance, move all foods into another clean refrigerator or freezer.
- 2) Unplug the appliance. **WARNING! To reduce the risk of electric shock, do not touch the plug with damp hands.**

## V. Disposal

### **DANGER**

#### **Risk of Fire or Explosion Flammable Refrigerant Used**

- Follow handling instructions carefully in compliance with U.S. government regulations.
- Do not puncture refrigerant tubing. Risk of fire or explosion due to puncture of refrigerant tubing; follow handling instructions carefully.
- Dispose of properly in accordance with federal or local regulations.

#### **Risque De Feu Ou D'Explosion Le Frigorigène Est Inflammable**

- Suivre attentivement les instructions de manipulation conformément à la réglementation gouvernementale.
- Ne pas perforer la tubulure contenant le frigorigène. Risque de feu ou d'explosion si la tubulure contenant le frigorigène est perforée; suivre les instructions de manutention avec soin.
- Éliminer conformément aux règlements fédéraux ou locaux.

### **WARNING**

When preparing the appliance for disposal, remove the doors/drawers to reduce the risk of children getting trapped. Leave the shelves in place so that children may not easily climb inside.

The appliance contains refrigerant and must be disposed of in accordance with applicable national, state, and local codes and regulations. Refrigerant must be recovered by properly certified service personnel.

**HOSHIZAKI AMERICA, INC.**

618 Hwy. 74 South, Peachtree City, GA 30269 USA (P) 770.487.2331 (F) 770.487.3360 [hoshizakiamerica.com](http://hoshizakiamerica.com) 1A8069-010