



# HOSHIZAKI

## Parts List

Modular Crescent Cuber  
Serenity Series

Models  
KMS-822MLJ



[hoshizakiamerica.com](http://hoshizakiamerica.com)

Number: 71403  
Issued: 3-12-2018  
Revised: 1-2-2026

## CONTENTS

Auxiliary Codes.....	3
Note About Ordering Parts .....	3
A. Main Assembly & Refrigeration Circuit .....	4
B. Water Circuit .....	6
C. Control Box Assembly .....	10
D. Accessories & Labels .....	12

## **Auxiliary Codes**

### **KMS-822MLJ**

H-0	February 2018
J-0	January 2019
J-1	April 2019
K-0	January 2020
L-0	January 2021
L-1	June 2021
L-2	August 2021
L-3	October 2021
M-0	February 2022
M-1	August 2022
N-0	February 2023
P-0	January 2024
P-1	March 2024
P-3	November 2024

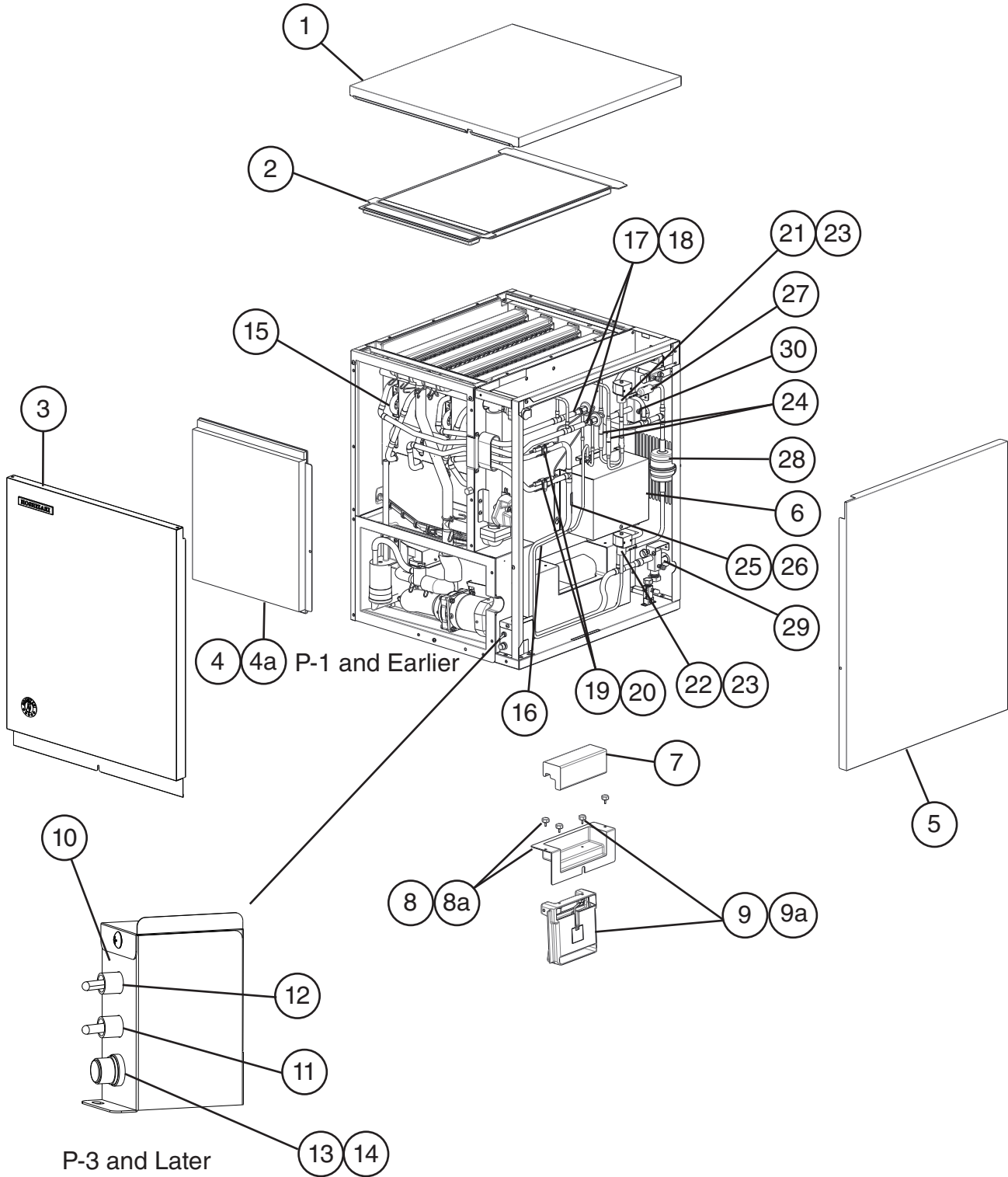
## **Auxiliary Code Breakdown**

The auxiliary code is the first two characters in the serial number. The first character indicates the year. Years progress or regress in alphabetical order. The series runs from "A" through "V" and the letters "I" and "O" are skipped. The second character indicates significant part changes within a year. Base is "0" and this number advances for each change.

## **Note About Ordering Parts**

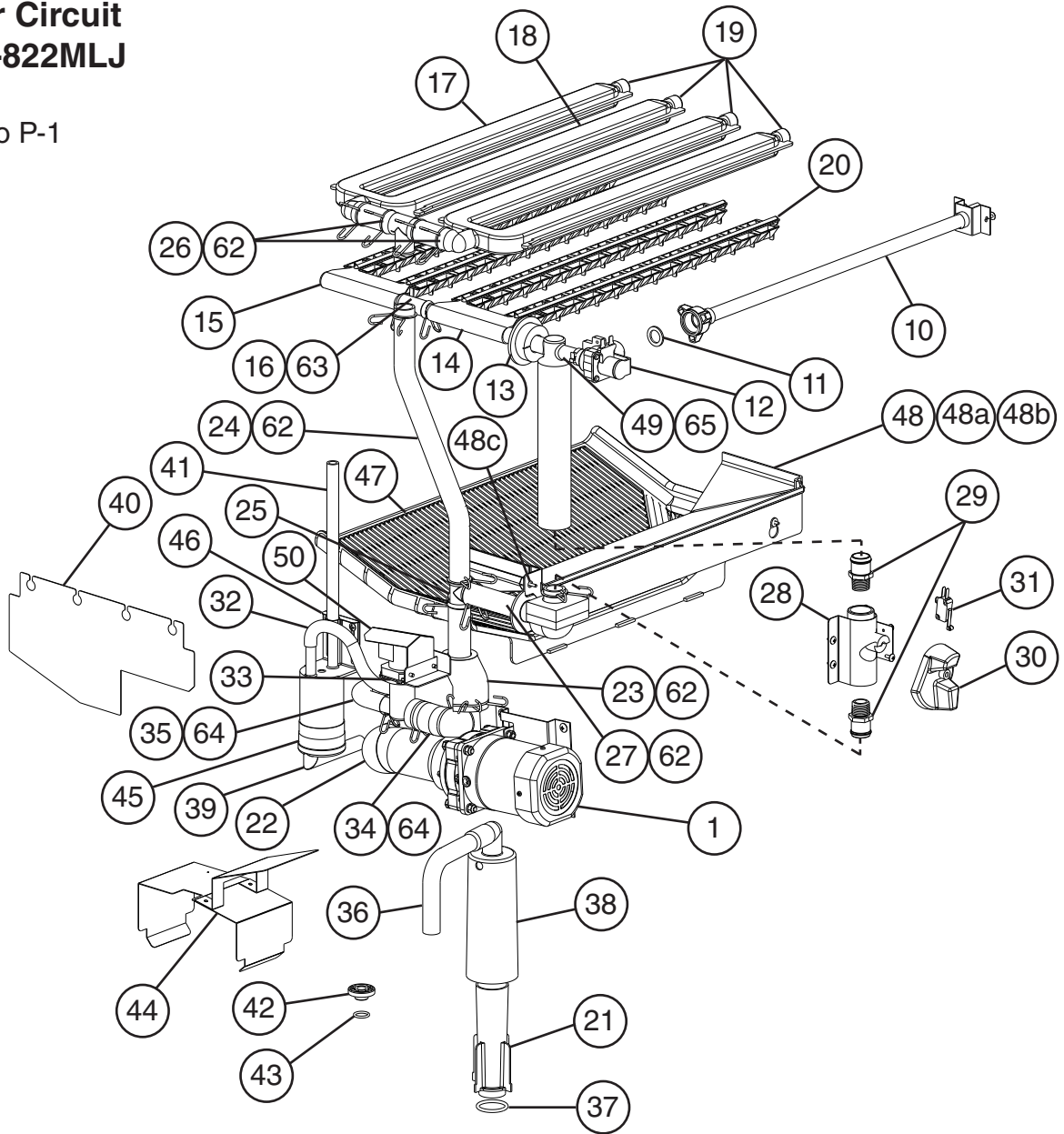
Most assemblies cannot be ordered as complete units; parts in the assemblies generally must be ordered separately.

**A. Main Assembly & Refrigeration Circuit**  
**KMS-822MLJ**  
 H-0 to P-3

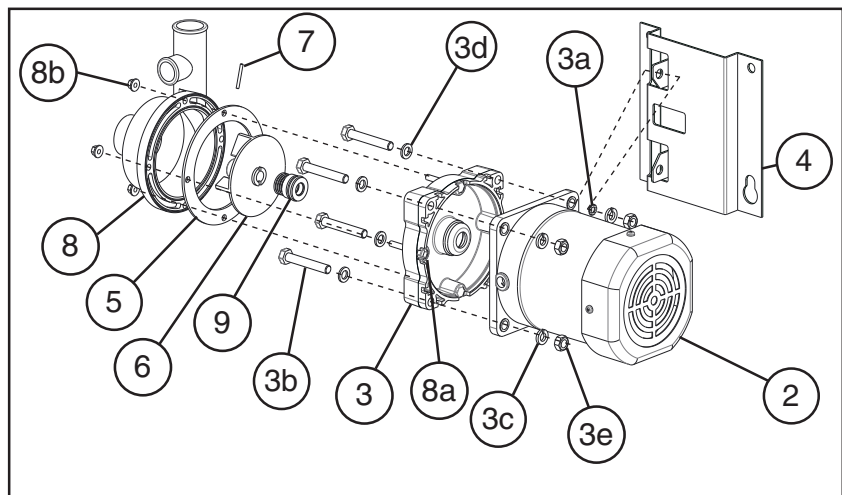


Title: A. Main Assembly & Refrigeration Circuit Model: KMS-822MLJ												
Index No.	Description	Material or Model Number	Part Number	Required Number								
				H-0 to M-0	M-1 to P-1	P-3						
<b>Main Assembly</b>												
1	Top Panel Assembly		2A6189G01	1	1	1						
2	Top Insulation		3A2934G01	1	1	1						
3	Front Panel Assembly		2A9965A01	1	1	1						
4	Front Insulation		3A2933G01	1	1	1						
4a	Thumbscrew		415949G12	1	1	1						
5	Right Side Panel		2A2800G01	1	1	1						
6	Control Box Cover		3A6397-01	1	1	1						
7	Mechanical Bin Control Bracket Insulation		4A3068-01	1	1	1						
8	Mechanical Bin Control Bracket		3A2642-01	1	1	1						
8a	Thumbscrew		415949G10	2	2	2						
9	Mechanical Bin Control		2A8598G02	1	1	1						
9a	Thumbscrew		415949G10	2	2	2						
10	Switch Box Cover		4A5212-01	1	1	1						
11	Mode Switch		4A6232-01			1						
12	Control Switch		443119-01	1	1	1						
13	Fuse Holder		4A5443-01	1	1	1						
14	Fuse	AGC-10A, 250VAC	4A0893-07	1	1	1						
<b>Refrigeration Circuit</b>												
15	Evaporator	SP-5583	1A4623G01	1	1	1						
16	Heat Exchanger		2A8767G01	1	1	1						
17	Thermostatic Expansion Valve		4A1414-02	2	2	2						
18	Thermostatic Expansion Valve Cover		3A0944-01	2	-							
			4A6853-01		2	2						
19	Thermostatic Expansion Valve Bulb Holder		3A0107-01	2	2	2						
20	Clamp		443461-02	2	2	2						
21	Hot Gas Valve Body		4A3978-01	1	1	1						
22	Liquid Line Valve Body		4A3276-01	1	1	1						
23	Valve Coil		4A3277-01	2	2	2						
24	Check Valve		4A1373-01	2	2	2						
25	Thermistor		429006-03	1	1	1						
26	Thermistor Holder		427430-01	1	1	1						
27	Strainer		441569-04	1	1	1						
28	Drier		4A1338-01	1	1	1						
29	Suction Line Shutoff Valve		4A3490-01	1	1	1						
30	Liquid Line Shutoff Valve		4A2215-01	1	1	1						

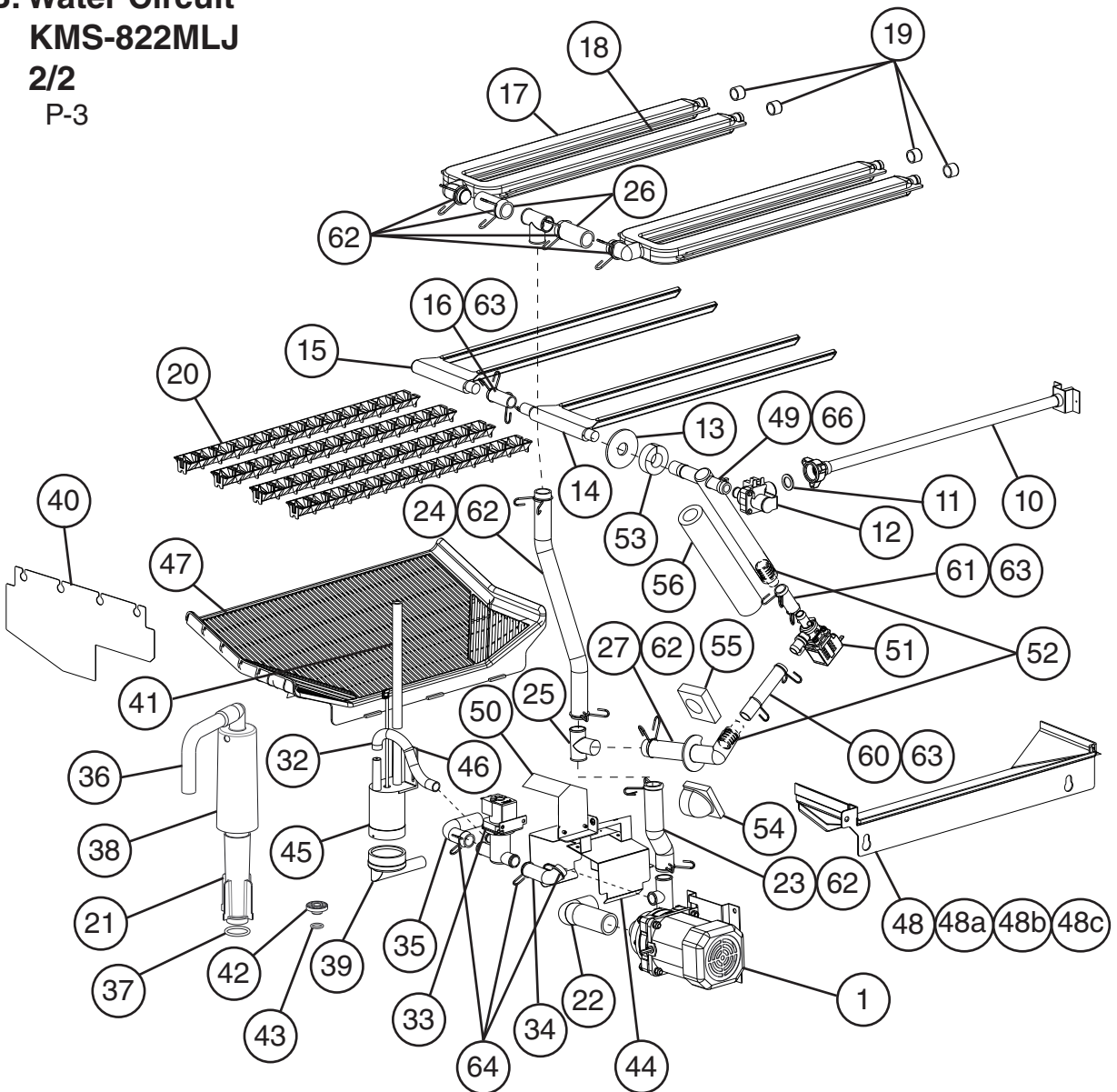
**B. Water Circuit**  
**KMS-822MLJ**  
**1/2**  
 H-0 to P-1



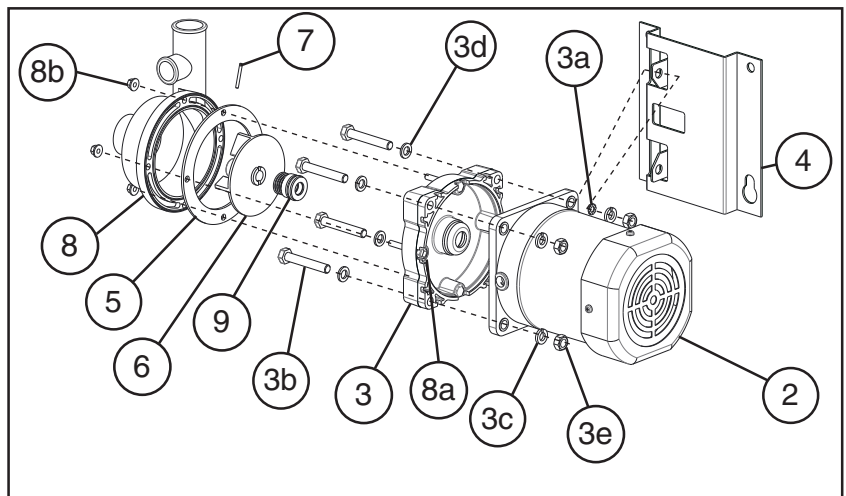
**Pump Motor Assembly**



**B. Water Circuit**  
**KMS-822MLJ**  
 2/2  
 P-3



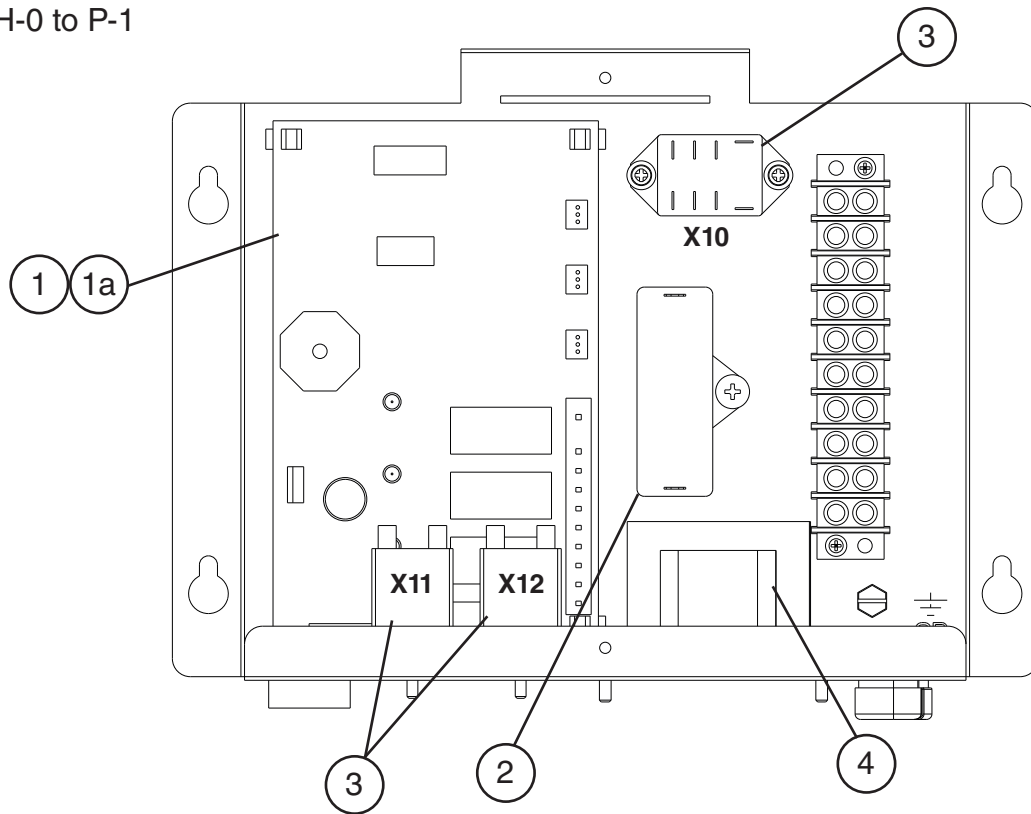
**Pump Motor Assembly**



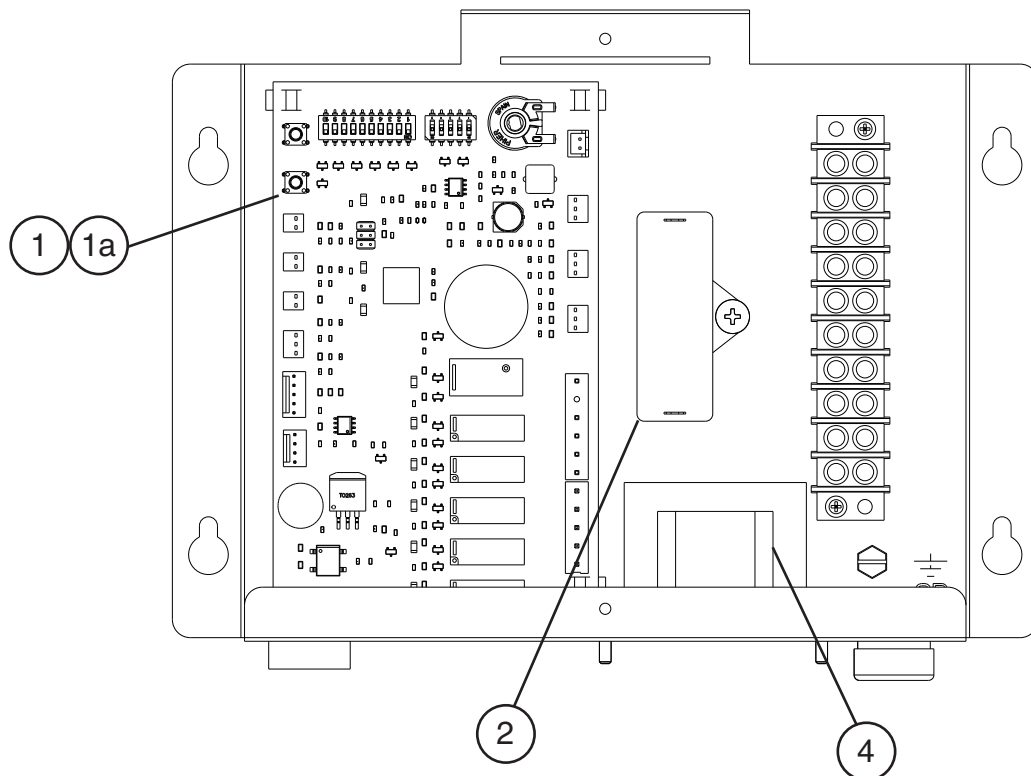
Title: B. Water Circuit Model: KMS-822MLJ												
Index No.	Description	Material or Model Number	Part Number	Required Number								
				H-0 to M-1	L-1 to P-1	P-3						
1	Pump Motor Assembly (includes items 2 through 9)	SP-0178	2A2848A01	1	1	1						
2	Pump Motor		3A7682-01	1	-							
			2U0106-01		1	1						
3	Pump Flange		215662-01	1	1	1						
3a	Tooth Washer		7R22-0600	2	2	2						
3b	Hex Bolt	6x40, SS	7B02-0640	4	4	4						
3c	Split Lock Washer		7L22-0600	4	4	4						
3d	Flat Washer		7W22-0600	4	4	4						
3e	Hex Nut		7N12-0600	4	4	4						
4	Pump Motor Bracket		323904-01	1	1	1						
5	Packing		428547-01	1	1	1						
6	Impeller		428548-01	1	1	1						
7	Pin		4A0648-01	1	1	1						
8	Pump Housing		2A2762-01	1	1	1						
8a	Hex Bolt	4x30, SS	7B02-0430	4	4	4						
8b	Hex Flange Nut		7J02-0400	4	4	4						
9	Mechanical Seal		4A3820-03	1	1	1						
10	Water Supply Pipe		4A0768G08	1	1	1						
11	Rubber Gasket		413854-03	1	1	1						
12	Inlet Water Valve		3U0111-03	1	1	1						
13	Flange		439267-01	1	1	1						
14	Water Supply Tube A		2A2370-01	1	1	1						
15	Water Supply Tube B		2A2370-02	1	1	1						
16	Vinyl Hose	L=47 mm	7730-1519	1	1	1						
17	Spray Tube A		2A2369-01	1	1	1						
18	Spray Tube B		2A2369-02	1	1	1						
19	Spray Tube Plug		3A2645-01	4	4	4						
20	Spray Guide		2A4282-03	4	4	4						
21	Overflow Pipe		430722-08	1	1	1						
22	Suction Hose		4A3001-01	1	1	1						
23	Discharge Hose		3A2646-01	1	1	1						
24	Vinyl Hose	L=361 mm	7716B2025	1	1	1						
25	Distributor (Tee)		432426-01	2	2	2						
26	Vinyl Hose	L=60 mm	7716B2025	2	2	2						
27	Bypass Hose		439237-03	1	1	1						
28	Cleaning Valve Ball Valve		439293-01	1	1	-						
29	Cleaning Valve Male Adaptor		325826-01	2	2	-						
30	Cleaning Valve Handle		215383-01	1	1	-						
31	Cleaning Valve Microswitch		4A2546-01	1	1	-						
32	Float Switch Hose		3A2647-01	1	1	1						
33	Drain Valve		4A5447-01	1	1	1						
34	Pump Motor Drain Hose		4A3044-01	1	1	1						
35	Drain Hose		4A3002-01	1	1	1						
36	Overflow Drain Hose		4A3003-01	1	1	1						
37	Overflow O-Ring		4A1234-01	1	1	1						

Title: B. Water Circuit Model: KMS-822MLJ												
Index No.	Description	Material or Model Number	Part Number	Required Number								
				H-0 to M-1	L-1 to P-1	P-3						
38	Overflow Cap		321002-01	1	1	1						
39	Float Switch Connector		426799-03	1	1	1						
40	Splash Guard		4A6117-01	1	1	1						
41	Silicone Hose	L=200 mm	773013896	1	1	1						
42	Drain Plug		309246-01	1	1	1						
43	Drain O-Ring		7611-P015	1	1	1						
44	Water Shield		3A2725G01	1	1	1						
45	Float Switch Assembly		4A7077G01	1	1	1						
46	Float Switch Stop		3A9640-01	1	1	1						
47	Cube Guide (A)		1A0842-01	1	1	1						
48	Cube Guide (B)		1A0781-01	1	1	1						
48a	Collar		435269-01	2	2	2						
48b	Flat Head T2 Screw	4x12, SS	7P22-0412	2	2	2						
48c	Thumbscrew		415949G10	1	1	1						
49	Water Valve Hose		3A2648-01	1	1	1						
50	Splash Shield		4A6883-01	1	1	1						
51	Cleaning Valve		4A5745-06			1						
52	Male Adapter		4A7351-01			2						
53	Insulation (E)		4A0392-01			1						
54	Corner Insulation (A)		439376-01			1						
55	Corner Insulation (B)		439392-01			1						
56	Insulation Tubing	L=210 mm	7762-1938			1						
57	Insulation Tubing (not shown)	L=75 mm	7716-1938			1						
58	Insulation Tubing (not shown)	L=77 mm	7762-2943			1						
59	Insulation Tubing (not shown)	L=170 mm	7762-3555			1						
60	Vinyl Hose	L=50 mm	7716B1519			1						
61	Vinyl Hose	L=100 mm	7716B1519			1						
<b>Hose Clamps</b>												
62	Hose Clamp	25 mm	427443-03	9	9	9						
63	Hose Clamp	18 mm	427443-05	2	2	6						
64	Hose Clamp	20 mm	427443-06	3	3	3						
65	Hose Clamp	27 mm	427443-08	1	1	-					Replaced with Nylon Tie	
66	Hose Clamp	15 mm	4A2017-07	1	1	1						

**C. Control Box Assembly**  
**KMS-822MLJ**  
H-0 to P-1



P-3

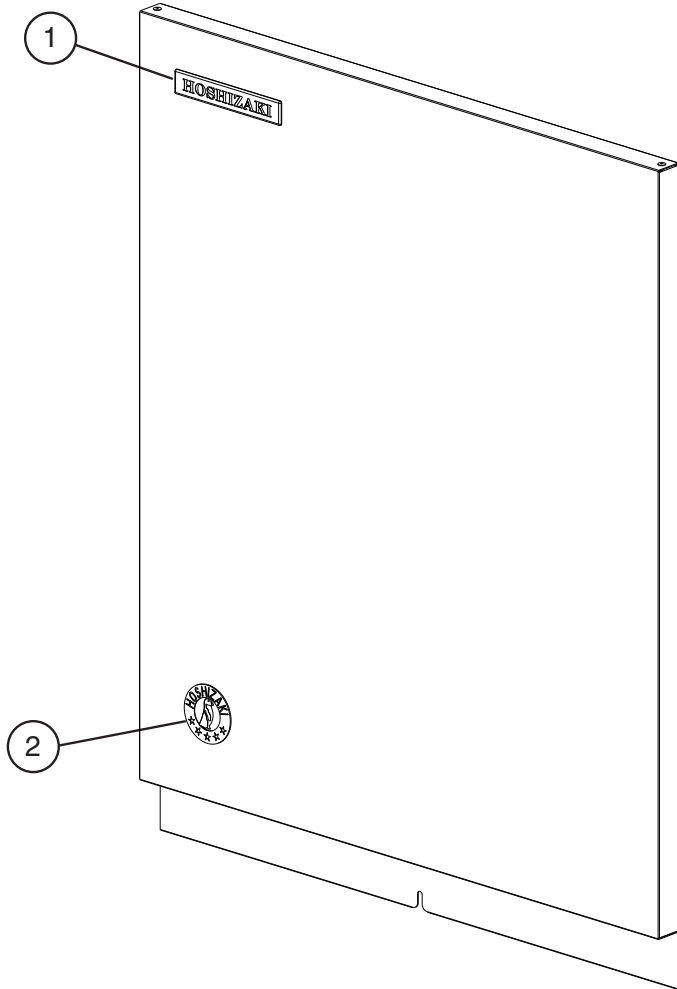


Title: C. Control Box Assembly Model: KMS-822MLJ											
Index No.	Description	Material or Model Number	Part Number	Required Number							
				H-0 to M-1	N-0 to P-1	P-3					
1	Control Board		2A7664-04	1	1	-					
			2A9678-02			1					
1a	Control Board Support		4A0336-03	4	4	4					
2	Pump Motor Capacitor	10 MFD, 250VAC	443192-01	1	1	1					
3	Relay X10 = Harvest Pump Relay X11 = X10 Control Relay X12 = Pump Out Relay	120VAC	406132-07	3	3						
4	Control Transformer		3A0172-01	1	1	1					

## D. Accessories & Labels

### KMS-822MLJ

H-0 to P-3



Title: D. Accessories & Labels    Model: KMS-822MLJ										
Index No.	Description	Material or Model Number	Part Number	Required Number						
				H-0 to P-3						
1	Emblem		4A0560-01	1						
2	Penguin Label-HA-R		475552L02	1						
3	Mounting Bracket (universal brace)		4A0363-01	2						
	Offset Mounting Bracket		4A5311-01	1						
3a	Hex Bolt	5x12, SS	7B02-0512	4						
4	Extension Bracket		4A4296G01	1						
4a	Thumbscrew		415949G10	2						