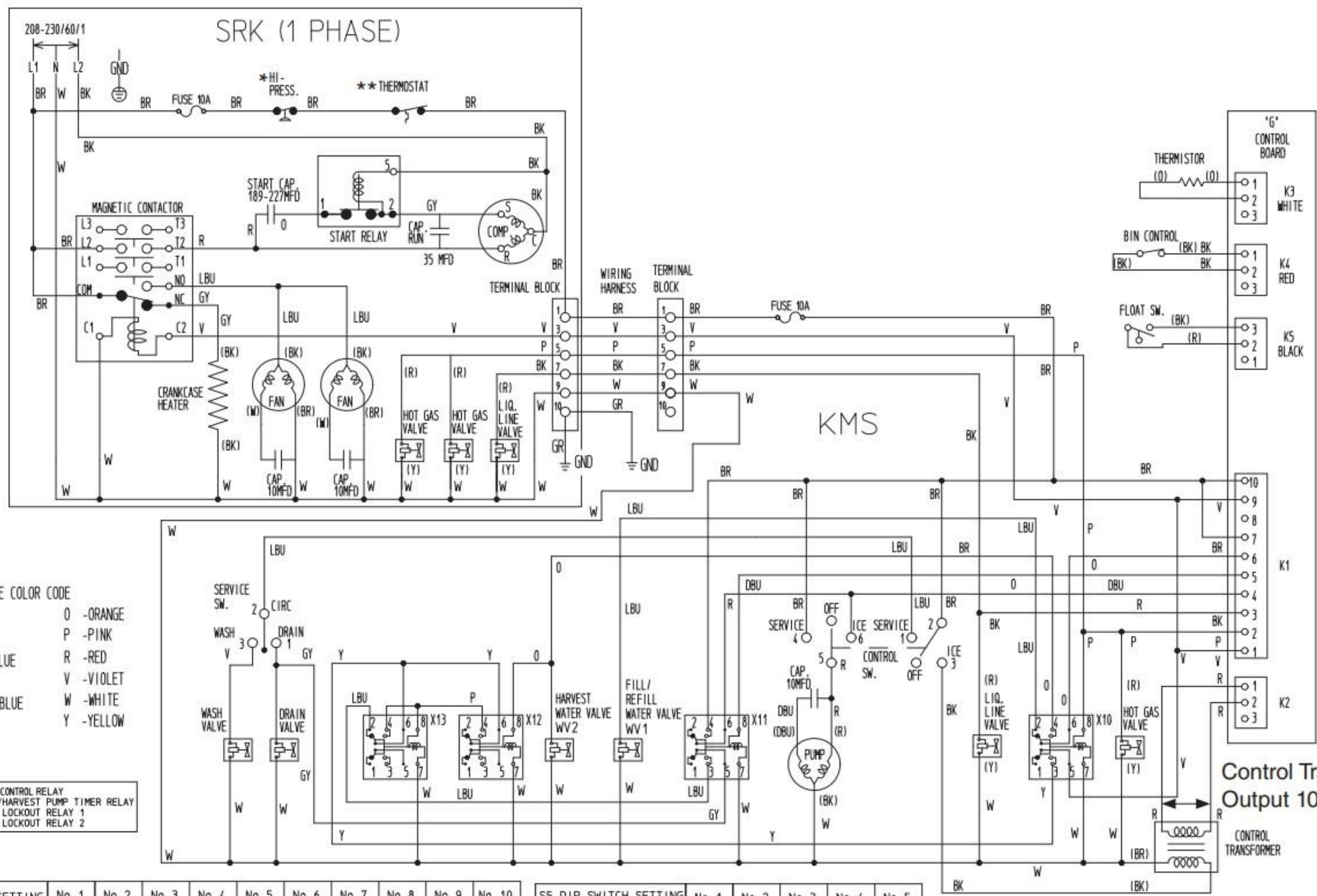


1. KMS-1401MLJ with SRK-14J



WIRE COLOR CODE

BK -BLACK	O -ORANGE
BR -BROWN	P -PINK
DBU-DARK BLUE	R -RED
GY -GRAY	V -VIOLET
LBU-LIGHT BLUE	W -WHITE
	Y -YELLOW

X10 WV1 AND WV2 CONTROL RELAY
 X11 DRAIN VALVE/HARVEST PUMP TIMER RELAY
 X12 DRAIN VALVE LOCKOUT RELAY 1
 X13 DRAIN VALVE LOCKOUT RELAY 2

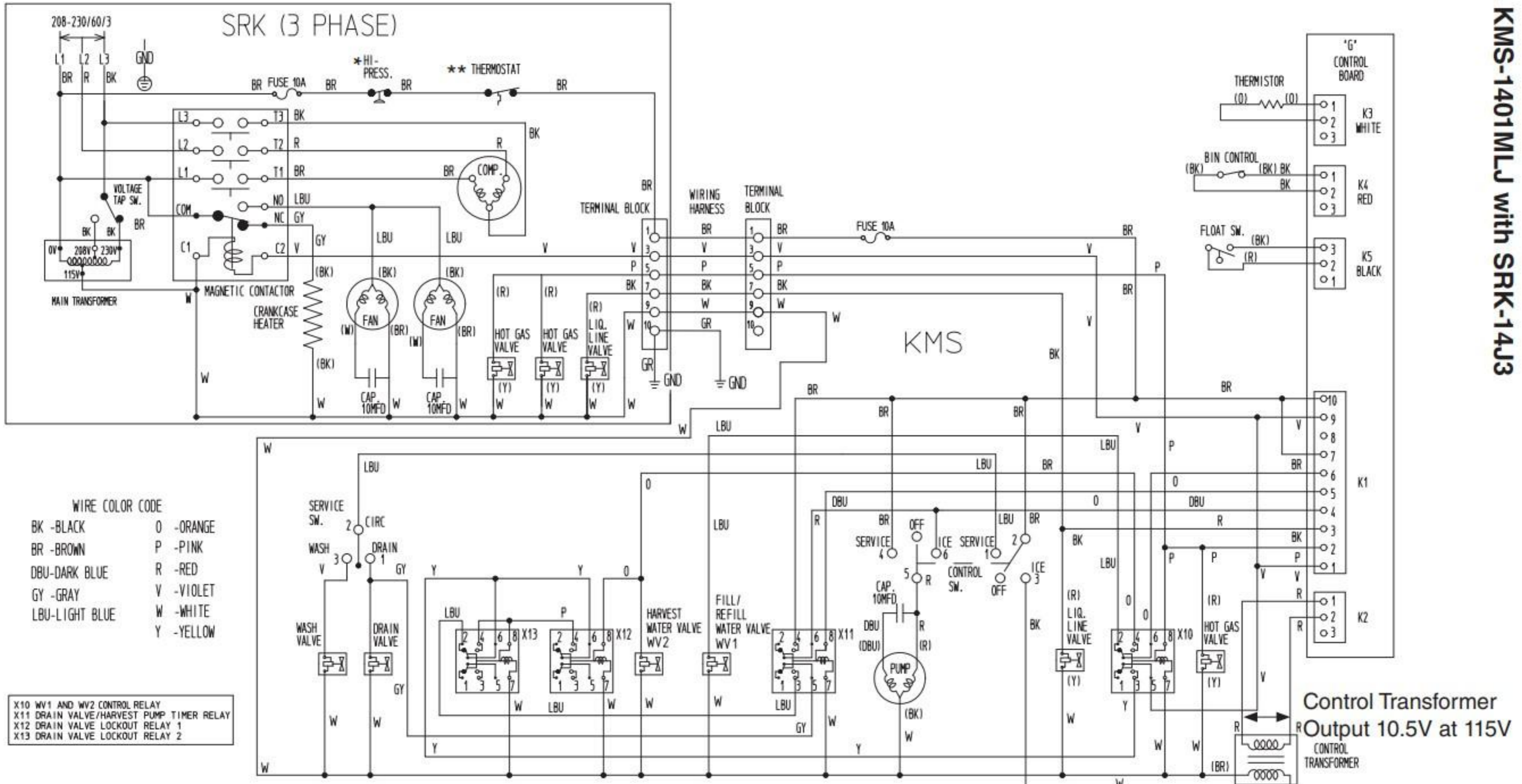
Control Transformer
 Output 10.5V at 115V

S4 DIP SWITCH SETTING	No. 1	No. 2	No. 3	No. 4	No. 5	No. 6	No. 7	No. 8	No. 9	No. 10
KMS-1401MLJ	OFF	OFF	OFF	ON	ON	ON	ON	OFF	OFF	OFF

S5 DIP SWITCH SETTING	No. 1	No. 2	No. 3	No. 4	No. 5
KMS-1401MLJ	ON	ON	OFF	OFF	OFF

* High-Pressure Switch	
Cut-out	426± ²² ₀ PSIG
Cut-in	341±22 PSIG

** Thermostat Switch	
Cut-out	266°F±9°F (130°C±5°C)
Cut-in	239°F±9°F (115°C±5°C)



WIRE COLOR CODE

BK -BLACK	O -ORANGE
BR -BROWN	P -PINK
DBU-DARK BLUE	R -RED
GY -GRAY	V -VIOLET
LBU-LIGHT BLUE	W -WHITE
	Y -YELLOW

X10 WV1 AND WV2 CONTROL RELAY
 X11 DRAIN VALVE/HARVEST PUMP TIMER RELAY
 X12 DRAIN VALVE LOCKOUT RELAY 1
 X13 DRAIN VALVE LOCKOUT RELAY 2

S4 DIP SWITCH SETTING	No. 1	No. 2	No. 3	No. 4	No. 5	No. 6	No. 7	No. 8	No. 9	No. 10
KMS-1401MLJ	OFF	OFF	OFF	ON	ON	ON	ON	OFF	OFF	OFF

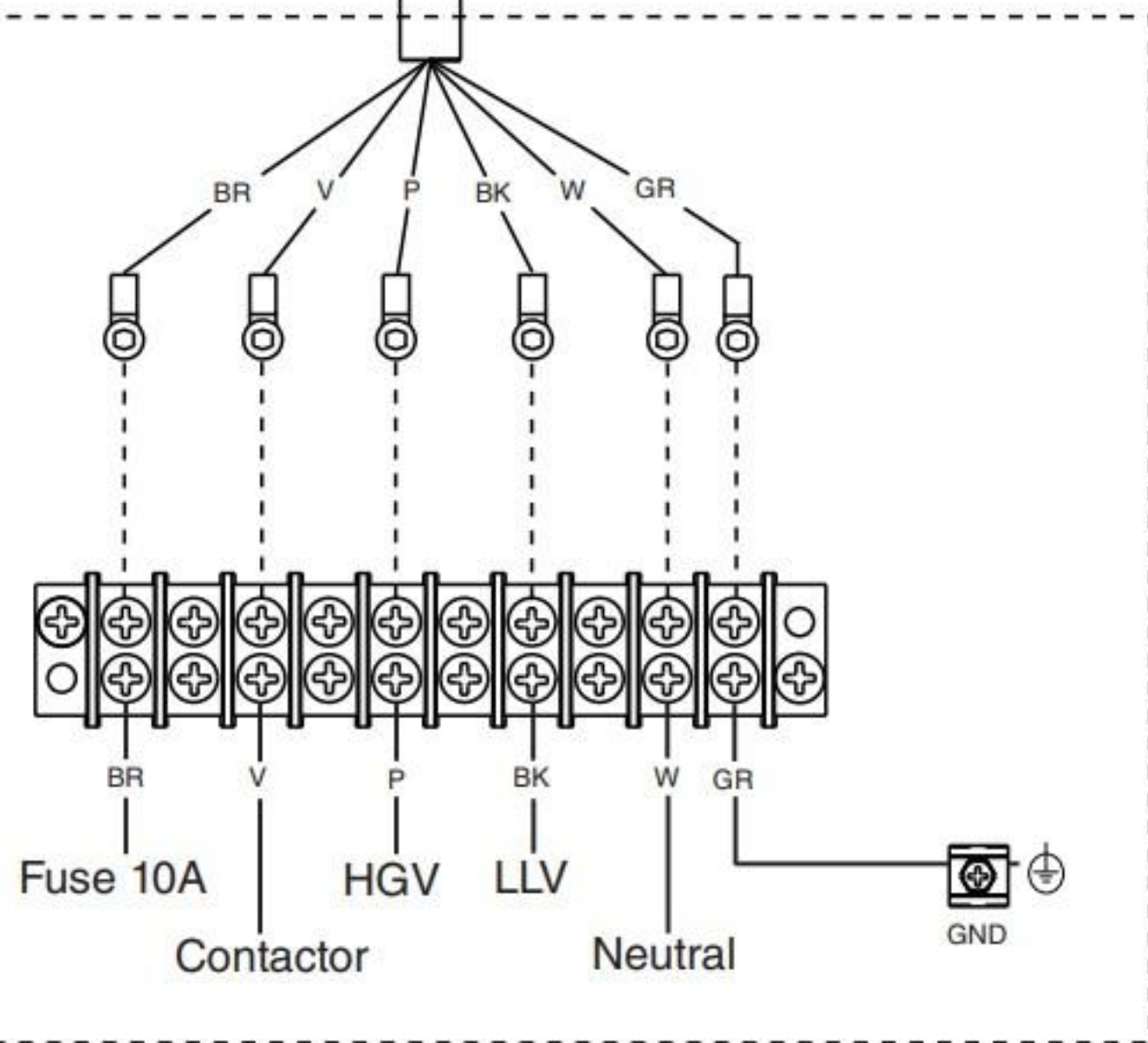
S5 DIP SWITCH SETTING	No. 1	No. 2	No. 3	No. 4	No. 5
KMS-1401MLJ	ON	ON	OFF	OFF	OFF

* High-Pressure Switch	
Cut-out	426± ²² ₀ PSIG
Cut-in	341±22 PSIG

** Thermostat Switch	
Cut-out	266°F±9°F (130°C± 5°C)
Cut-in	239°F±9°F (115°C±5°C)

Control Transformer
 Output 10.5V at 115V
 CONTROL TRANSFORMER

SRK Condensing Unit



KMS Icemaker Unit (factory connected)

