

# Hoshizaki America, Inc.

## Modular Crescent Cuber Serenity Series

Model  
KMS-I230MLH

Including  
Condensing Unit Model SRK-I3H



“A Superior Degree  
of Reliability”

[www.hoshizaki.com](http://www.hoshizaki.com)

## INSTRUCTION MANUAL



Issued: 1-29-2007

## **IMPORTANT**

Only qualified service technicians should attempt to install, service or maintain this icemaker. No installation, service or maintenance should be undertaken until the technician has thoroughly read this Instruction Manual. Likewise, the owner/manager should not proceed to operate the icemaker until the installer has instructed them on its proper operation.

HOSHIZAKI provides this manual primarily to assist qualified service technicians in the installation, maintenance and service of the icemaker.

Should the reader have any questions or concerns which have not been satisfactorily addressed, please call, write or send an e-mail message to the HOSHIZAKI Technical Support Department for assistance.

HOSHIZAKI AMERICA, INC.  
618 Highway 74 South  
Peachtree City, GA 30269

Attn: HOSHIZAKI Technical Support Department

Phone: 1-800-233-1940 Technical Service  
(770) 487-2331

Fax: 1-800-843-1056  
(770) 487-3360

E-mail: techsupport@hoshizaki.com

Web Site: [www.hoshizaki.com](http://www.hoshizaki.com)

**NOTE:** To expedite assistance, all correspondence/communication **MUST** include the following information:

- Model Number
- Serial Number
- Complete and detailed explanation of the problem

- Please review this manual. It should be read carefully before the icemaker is installed and operated. Only qualified service technicians should install, service and maintain the icemaker. This manual should be made available to the technician prior to installation, maintenance or service.
- Keep this manual with the icemaker for later reference.

## CONTENTS

I. Specifications.....	4
A. Nameplate Rating .....	4
1. KMS-1230MLH .....	4
2. Condensing Unit Model SRK-13H .....	5
3. Condensing Unit Model SRK-13H3 .....	6
B. Dimensions/Connections .....	7
1. KMS-1230MLH .....	7
2. Condensing Unit Model SRK-13H/3 .....	8
II. Installation and Operating Instructions .....	9
A. Location .....	9
1. Icemaker .....	9
2. Condensing Unit .....	9
B. Checks Before Installation.....	10
1. Icemaker .....	10
2. Condensing Unit .....	11
C. How to Remove Panels .....	11
1. Icemaker .....	11
2. Condensing Unit .....	11
D. Installation of the Icemaker .....	12
1. Setup .....	12
2. Bin Control Installation.....	12
E. Installation of the Condensing Unit .....	15
1. Setup .....	15
2. Line Set .....	15
F. Electrical Connection .....	17
1. Condensing Unit .....	17
2. Icemaker .....	18
G. Water Supply and Drain Connections.....	18
H. Final Checklist.....	20
I. Startup.....	21
III. Cleaning and Maintenance Instructions.....	22
A. Cleaning and Sanitizing .....	22
1. Cleaning Procedure.....	22
2. Sanitizing Procedure - Following Cleaning Procedure .....	24
B. Maintenance.....	24
C. Preparing the Icemaker for Long Storage .....	25

# I. Specifications

## A. Nameplate Rating




### 1. KMS-1230MLH

**HOSHIZAKI ICE MAKER**

MODEL NUMBER	KMS-1230MLH
SERIAL NUMBER	
AC SUPPLY VOLTAGE	115-120V/60/1
PUMP	120V 1.2FLA 60W
OTHER	115V 0.8A
DESIGN PRESSURE	HI-467PSI LO-230PSI
REFRIGERANT	R-404A

**NOT INTENDED FOR OUTDOOR USE!**  
**WARNING: RISK OF ELECTRICAL SHOCK, WHICH CAN CAUSE INJURY OR DEATH. DISCONNECT ALL REMOTE ELECTRICAL POWER SUPPLIES BEFORE SERVICING UNIT.**

**Hoshizaki America, Inc.**  
Peachtree City, GA  
[www.hoshizaki.com](http://www.hoshizaki.com)



See the nameplate for electrical and refrigeration specifications. This nameplate is located on the rear panel.

### — **IMPORTANT** —

**This icemaker is designed for connection to HOSHIZAKI CONDENSING UNIT, Model SRK-13H or SRK-13H3 only! CONNECTION TO ANOTHER CONDENSING UNIT WILL VOID WARRANTY.**

Note: We reserve the right to make changes in specifications and design without prior notice.

## 2. Condensing Unit Model SRK-13H

### HOSHIZAKI CONDENSER UNIT

MODEL NUMBER	SRK-13H
SERIAL NUMBER	
AC SUPPLY VOLTAGE	208-230/60/1 (3 WIRE WITH NEUTRAL FOR 115V)
COMPRESSOR	230V 10RLA 82.0LRA
FAN	115V 2.6FLA (total) 126W
OTHER	115V 0.4A
MAXIMUM FUSE SIZE	20 AMPS
MAX. HACR BREAKER (USA ONLY)	20 AMPS
MAX. CIRC. BREAKER (CANADA ONLY)	20 AMPS
MINIMUM CIRCUIT AMPACITY	20 AMPS
DESIGN PRESSURE	HI-467PSI LO-230PSI
REFRIGERANT	R-404A 16LBS. 5oz.

**FOR OUTDOOR USE**  
**MOTOR-COMPRESSOR THERMALLY PROTECTED**  
**WARNING: RISK OF ELECTRICAL SHOCK, WHICH CAN**  
**CAUSE INJURY OR DEATH. DISCONNECT ALL REMOTE**  
**ELECTRICAL POWER SUPPLIES BEFORE SERVICING UNIT.**



**Hoshizaki America, Inc.**  
Peachtree City, GA  
[www.hoshizaki.com](http://www.hoshizaki.com)

See the nameplate for electrical and refrigeration specifications. This nameplate is located on the side panel.

Note: We reserve the right to make changes in specifications and design without prior notice.

### 3. Condensing Unit Model SRK-13H3

**Intentionally Left Blank**

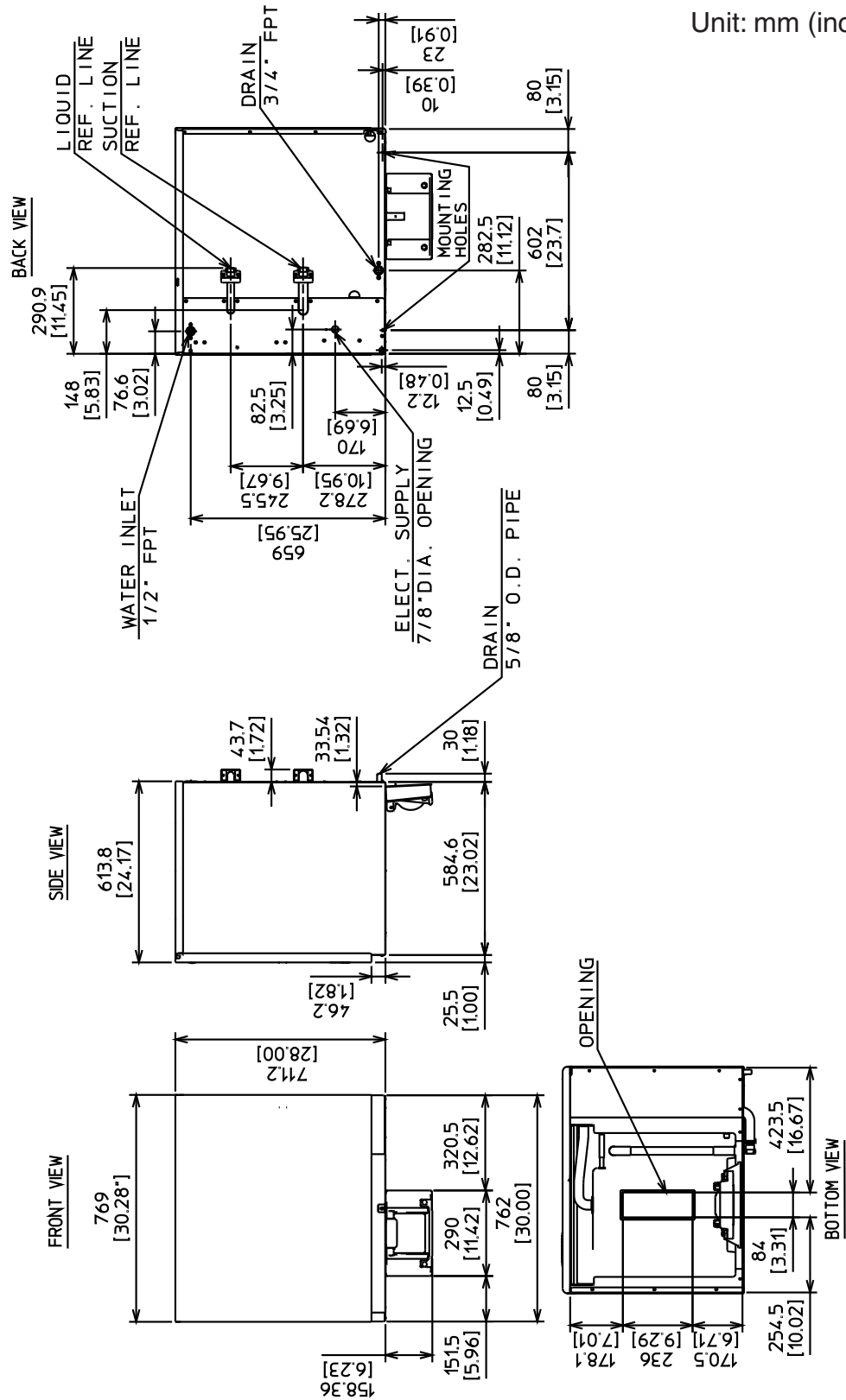
See the nameplate for electrical and refrigeration specifications. This nameplate is located on the side panel.

Note: We reserve the right to make changes in specifications and design without prior notice.

## B. Dimensions/Connections

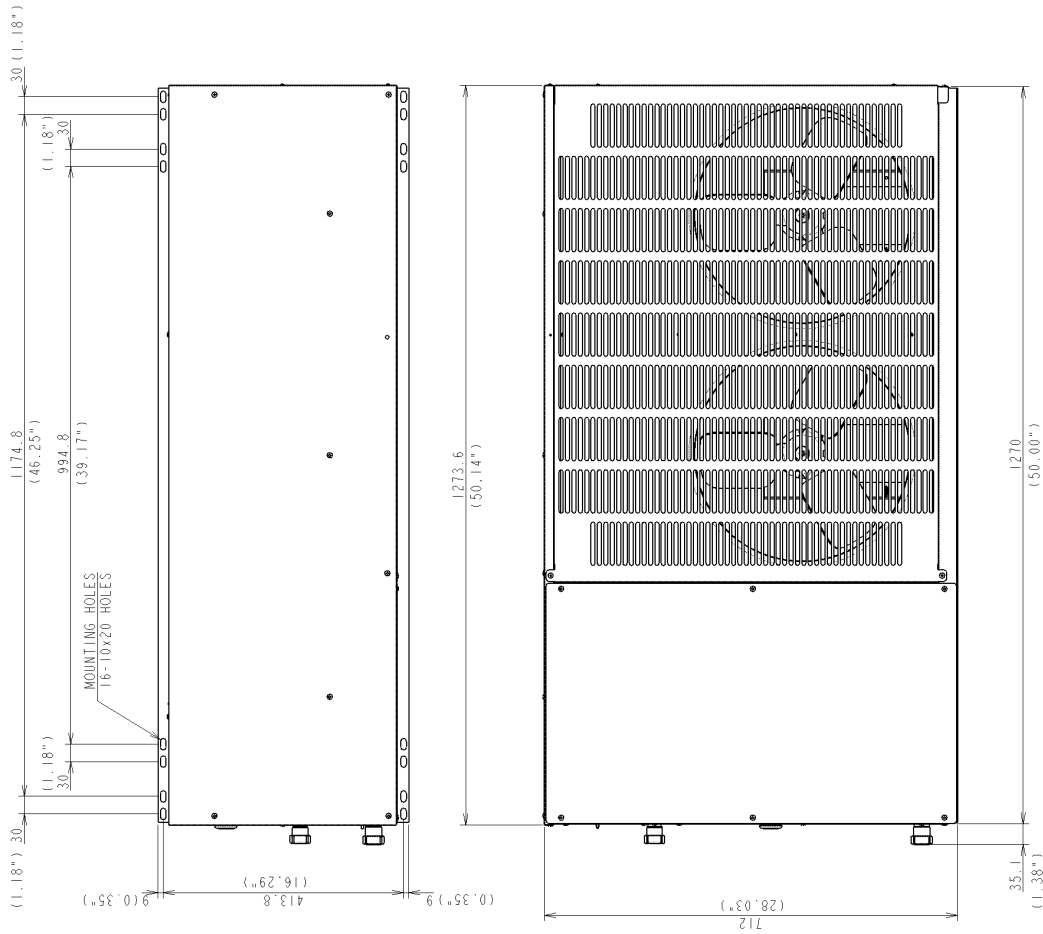
### 1. KMS-1230MLH

Unit: mm (inches)

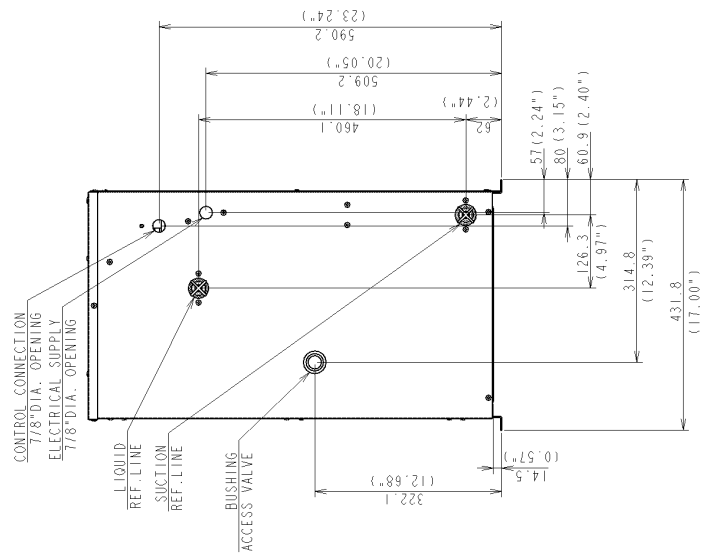


## 2. Condensing Unit Model SRK-13H/3

Unit: mm (inches)



Note: Legs are included with condensing unit.  
Leg height is 380 mm (14.96 in.).



---

## II. Installation and Operating Instructions

### IMPORTANT

- Install in accordance with all applicable national, state and local regulations.
- Ensure all components, fasteners and thumbscrews are securely in place after installation.
- Remove all shipping cartons, tape and packing. If any are left in the units, they will not work properly.

### A. Location

#### 1. Icemaker

### IMPORTANT

This icemaker is not intended for outdoor use. Normal operating ambient temperature should be within +45°F to +100°F (7°C to 38°C); Normal operating water temperature should be within +45°F to +90°F (7°C to 32°C). Operation of the icemaker, for extended periods, outside of these normal temperature ranges may reduce production capacity.

For best operating results:

- Icemaker should not be located next to ovens, grills or other high heat producing equipment.
- Level the dispenser or storage bin and the icemaker from side-to-side and front-to-rear. Location should provide a firm and level foundation for the equipment.
- No clearance is required for proper operation.

#### 2. Condensing Unit

### IMPORTANT

This condensing unit is intended for outdoor use. Normal operating ambient temperature should be within -20°F to +122°F (-29°C to 50°C). Operation of the unit, for extended periods, outside of these normal temperature ranges may reduce production capacity.

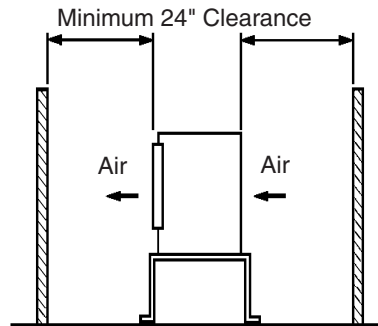
The condensing unit must be positioned in a permanent site under the following guidelines.

- A firm and flat site.
- A dry and well ventilated area with 24" clearance in both front and rear for proper air circulation and ease of maintenance and/or service should they be required. See Fig. 1.
- The icemaker must be coupled with the appropriate condensing unit as listed below.

Icemaker	Hoshizaki Condensing Unit
KMS-1230MLH	SRK-13H/3

- The maximum line length is 55 feet.

Note: If the recommended guidelines of the installation are exceeded, the icemaker performance may be reduced.



**Fig. 1**

## **B. Checks Before Installation**

### **1. Icemaker**

#### **IMPORTANT**

1. Install in accordance with all applicable national, state and local regulations.
2. Ensure all components, fasteners and thumbscrews are securely in place after installation.
3. This icemaker is designed for dispensers 30" wide or wider. If using a storage bin, the recommended storage bin is HOSHIZAKI ICE STORAGE BIN, Model B-500 series.

- 1) Unpack the icemaker. Remove all shipping cartons, tape and packing. If packing material is left in the icemaker, it will not work properly.
- 2) Remove the panels to prevent damage when installing the icemaker. (See "C. How to Remove Panels.")
- 3) Remove the protective plastic film from the panels. If the icemaker is exposed to the sun or to heat, remove the film after the icemaker cools.
- 4) Remove the package containing the accessories from the icemaker.
- 5) Check the unit to insure that the refrigerant lines do not rub or touch lines or other surfaces.
- 6) **This icemaker is designed for connection to HOSHIZAKI CONDENSING UNIT, Model SRK-13H or SRK-13H3 only!**  
**NOTE: CONNECTION TO ANOTHER CONDENSING UNIT WILL VOID WARRANTY.**

## 2. Condensing Unit

- 1) Unpack and remove all shipping cartons, tape and packing.
- 2) See the nameplate on the condensing unit. Check that your voltage supplied corresponds with the voltage specified on the nameplate.

Note: Power to the icemaker is supplied by the condensing unit.

### WARNING

Electrical connections must be installed in accordance with applicable national, state and local regulations.

- 3) Remove the front panel and louver panel.
- 4) Check to insure that the refrigerant lines do not rub or touch lines or other surfaces, and that the fan blades turn freely.
- 5) Check that the compressor is snug on all mounting pads.
- 6) Remove the package containing the accessories from the condensing unit.

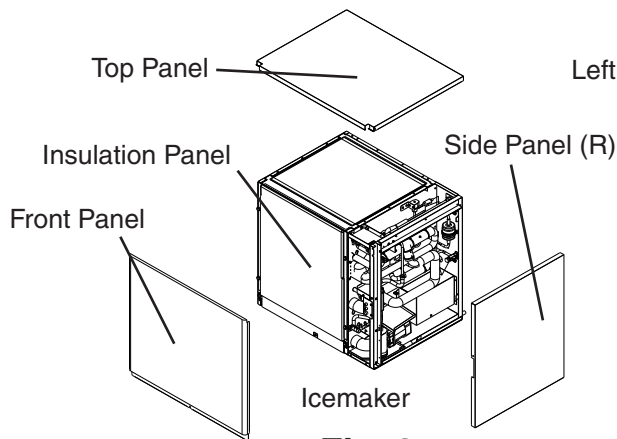
## C. How to Remove Panels

### 1. Icemaker

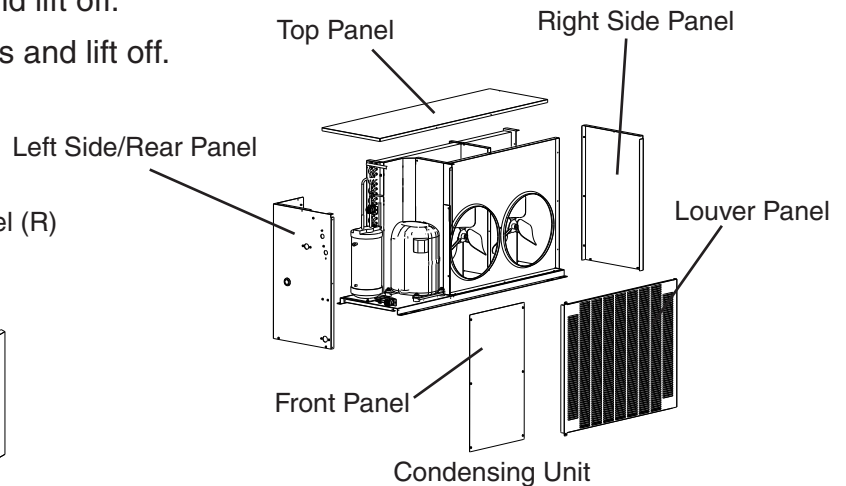
- Front Panel: Remove the screw. Lift up towards you.
- Top Panel: Lift off.
- Side Panel (R): Remove the screw. Pull forward slightly and take off.
- Insulation Panel: Remove the thumbscrews Lift up slightly and pull towards you.

### 2. Condensing Unit

- Top Panel: Remove screws and lift off.
- Front Panel: Remove screws and lift off.
- Left Side/Rear Panel: Remove screws and lift off. If already installed, first recover refrigerant, remove line set and electrical connections.
- Louver Panel: Remove screws and lift off.
- Right Side Panel: Remove screws and lift off.



**Fig. 2**



**Fig. 3**

## D. Installation of the Icemaker

### CAUTION

Before operating the icemaker, the bin control must be installed correctly. Failure to properly install the bin control could result in ice backup and unit damage.

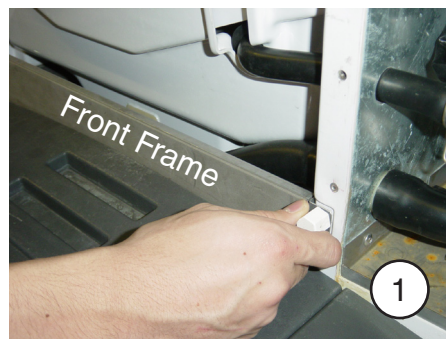
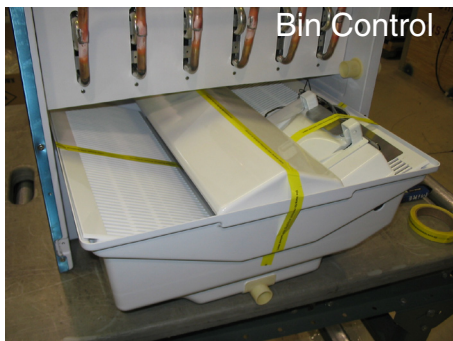
#### 1. Setup

- 1) Unpack the dispenser or storage bin. If using a storage bin, attach the four adjustable legs provided (bin accessory) to the bottom of the storage bin.
- 2) Position the dispenser or storage bin in the selected permanent location.
- 3) Place the icemaker on top of the dispenser or storage bin and secure.
- 4) Level the icemaker and dispenser or storage bin in both the left-to-right and front-to-rear directions.

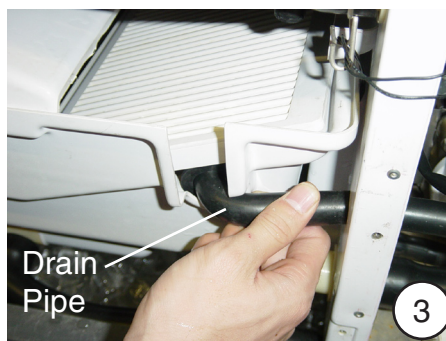
#### 2. Bin Control Installation

Follow instructions below to remove the bin control from the shipping area and install the bin control.

- 1) Remove the front frame: Remove the two thumbscrews and lift off.



- 2) Remove the pump suction hose from the plastic pipe.
- 3) Remove the drain pipe from the plastic pipe.



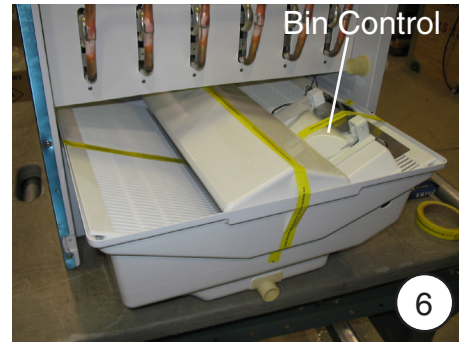
- 4) Remove the float connection hose from the plastic pipe.
- 5) Remove the tank drain hose from the tank. Although the tank can be removed at this point, do not remove it yet because the bin control is taped to the tank.



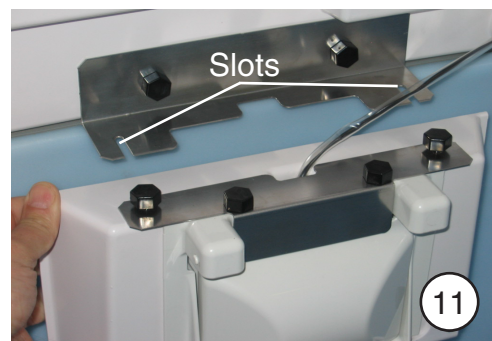
### CAUTION

The bin control lead is routed through the back of the icemaker. If care is not taken when removing the tank, the lead could be severed.

- 6) Pull out the tank only as far as shown in 6.
- 7) Remove the tape securing the bin control, then remove the bin control only.
- 8) **Being careful not to pull the bin control lead**, remove the tank completely from the icemaker.
- 9) Remove the remaining pieces of tape from the tank and leave the tank out of the machine for now.



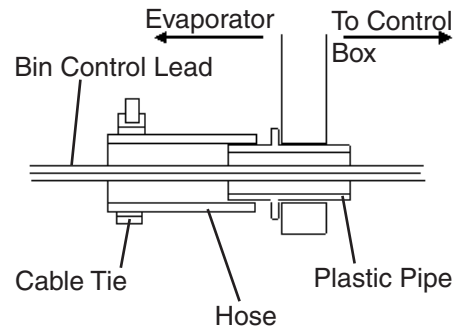
- 10) Slightly loosen the outer 2 thumbscrews.
- 11) Slide the thumbscrews into the slots on the bin control bracket. The bin control bracket is located on the back wall of the icemaker.



### CAUTION

If a gap is left between the bin control and the wall of the dispenser, ice may get between them and damage the bin control. Therefore, make sure there is no gap.

- 12) Make sure the bin control is flush with the dispenser or storage bin wall, then tighten the 2 thumbscrews.
- 13) Pull the bin control lead so that there is no slack in the ice drop area, then secure the hose that the lead runs through with a cable tie.



- 14) Replace the tank in the icemaker and reconnect the 4 hoses.
- 15) Replace the front frame and insulation in their correct positions and secure with the thumbscrews.
- 16) Replace the panels in their correct positions.

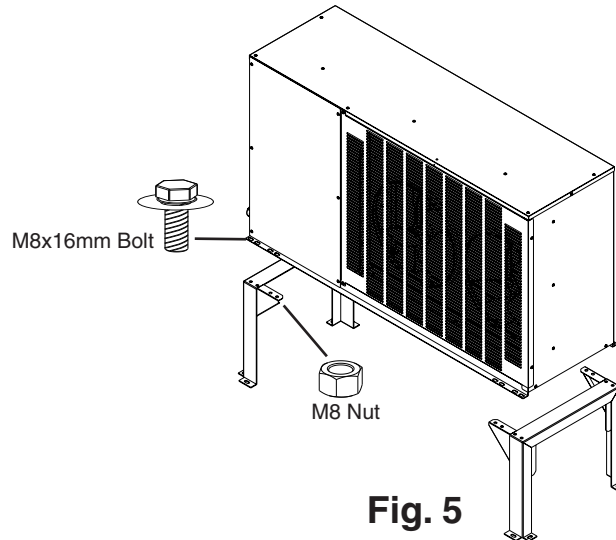
## E. Installation of the Condensing Unit

### 1. Setup

- 1) Secure the condensing unit to the stand with sixteen M8×16 mm hexagon bolts and M8 nuts as shown in the illustration. See Fig. 5.
- 2) The legs have eight mounting holes. Secure the legs with eight bolts (not included).
- 3) See the nameplate on the condensing unit. Check that your voltage supplied corresponds with the voltage specified on the nameplate.  
Note: Power to the icemaker is supplied by the condensing unit.

### WARNING

Electrical connections must be made in accordance with national, state and local regulations. See "F. Electrical Connection."



### 2. Line Set

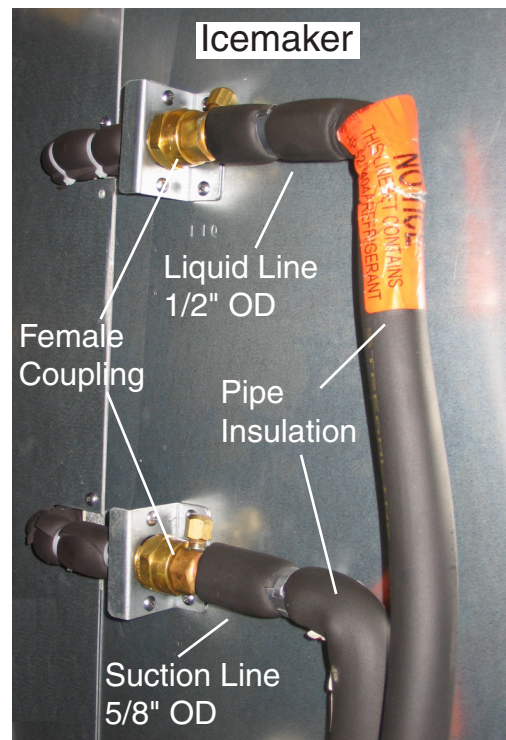
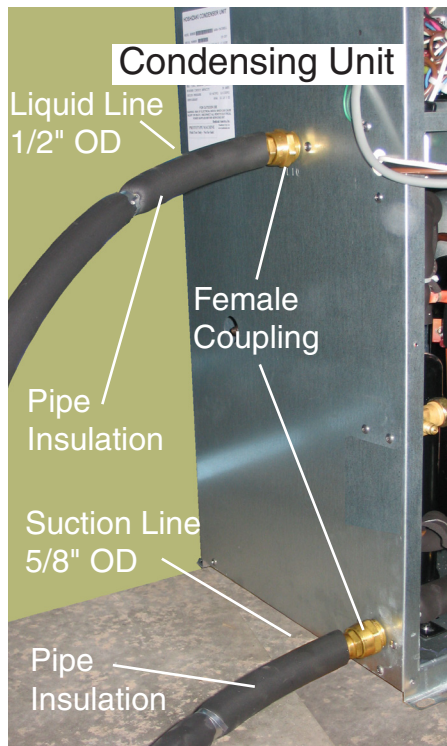
- Precharged tubing kits, available as optional equipment from HOSHIZAKI AMERICA, are recommended. Field fabricated line sets are allowed, see instructions below.
- The maximum line length is 55 feet.
- Vertical distance between the condensing unit and icemaker should not exceed 30 feet above or 10 feet below the icemaker.
- If the vertical distance between the condensing unit and the icemaker is greater than 18 feet, a p-trap (5/8" OD tubing) must be installed in the suction line. The p-trap must be within 18 vertical feet of both the condensing unit and the icemaker. This will ensure sufficient oil return to the compressor.

## Factory Line Set Installation

- 1) Route the factory line set from the condensing unit to the icemaker. Factory fabricated line sets are precharged and do not need to be evacuated.
- 2) Attach the two refrigerant lines to the male couplings on the remote condensing unit first and then at the icemaker. Apply two drops of POE oil to the male threads of the couplings before tightening.
- 3) Tighten the couplings 1/4 turn beyond fully seated. A backup wrench is recommended.

## Field Fabricated Line Set Installation

- 1) Route a 5/8" OD copper tubing suction line and a 1/2" OD copper tubing liquid line between the condensing unit and the icemaker.
- 2) Insulate the two copper tubings separately.
- 3) Install Parker quick connect couplings on each end.
- 4) Evacuate through the charging ports on the Parker quick connect couplings and charge with R-404A refrigerant vapor to a pressure of 15 to 30 PSIG.
- 5) Attach the two refrigerant lines to the male couplings on the remote condensing unit first and then at the icemaker. Apply two drops of POE oil to the male threads of the couplings before tightening.
- 6) Tighten the couplings 1/4 turn beyond fully seated. A backup wrench is recommended.



**Fig. 6**

## F. Electrical Connection

### WARNING

1. Electrical connection must be made in accordance with the instructions on the "WARNING" tag, provided with the pig tail leads in the condensing unit junction box.
2. Electrical connections must meet national, state and local electrical code requirements. Failure to meet these code requirements could cause severe injury to individuals or extensive damage to equipment.
3. Be sure to install a ground to the icemaker unit and the condensing unit.

- Electrical connections must be installed in accordance with applicable national, state and local regulations.
- Usually an electrical permit and services of a licensed electrician are required.
- Power to the icemaker unit is supplied by the condensing unit.
- For the wire harness connection, use appropriate outdoor-rated 18 AWG wire. See wiring label for wiring connections.

### 1. Condensing Unit

- 1) Supply power from the panel to the condensing unit. (This differs from KM style installations.)
- 2) Connect the wire leads in the power supply junction box to the power supplied from the disconnect or electrical panel.

Note: On single phase machines, the white lead must be attached to the neutral conductor of the power source. Miswiring results in severe damage to the icemaker. See Fig. 7. For three phase, see Fig. 8.

### WARNING

#### ELECTRICAL CONNECTION

The white lead must be connected to the neutral conductor of the power source. Miswiring results in severe damage to the icemaker. (See Fig. below.)

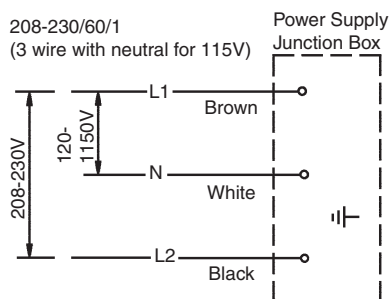
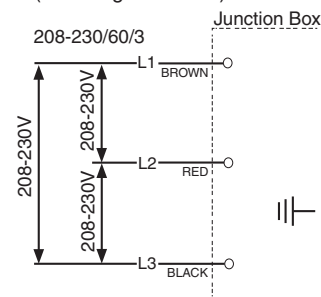


Fig. 7

### WARNING

ELECTRICAL CONNECTION  
This unit must be connected to a three phase power source.

Miswiring results in severe damage to the unit. (See diagram below)



Voltage tap switch in the unit should be positioned to match incoming voltage at start-up.

4A4196-01Q

Fig. 8

- 3) Attach the harness wires to the correct location on the condensing unit's terminal board. Use the wiring label as a reference.
- 4) Replace the control box cover and panels in their correct positions.
- 5) Route the wire harness to connect the condensing unit's control box to the icemaker's control box.

## 2. Icemaker

- 1) Remove the control box cover.
- 2) Attach the harness wires to the icemaker's terminal board. Use the wiring label as a reference.
- 3) Replace the control box cover and panels in their correct positions.

### **CAUTION**

Turn power supply on at condensing unit. Condensing unit should have power for a minimum of 4 hours prior to startup to prevent compressor damage.

## G. Water Supply and Drain Connections

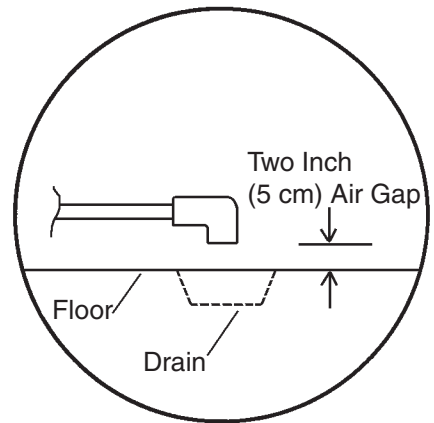
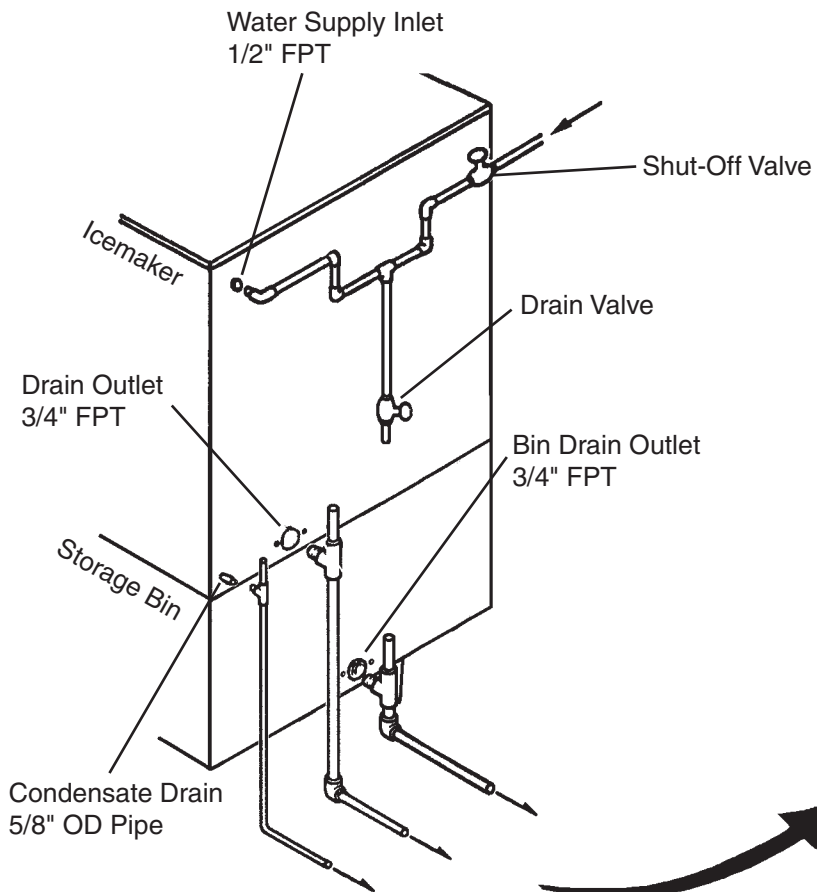
**See Fig. 9**

### **IMPORTANT**

To prevent damage to the pump assembly, do not operate the icemaker when the water supply is OFF, or if the pressure is below 10 PSIG.

- Water supply inlet is 1/2" female pipe thread (FPT).
- A water supply line shut-off valve and drain valve should be installed. A minimum of 1/2" OD copper tubing is recommended for the water supply lines.
- Water supply pressure should be a minimum of 10 PSIG and a maximum of 113 PSIG. If the pressure exceeds 113 PSIG, the use of a pressure reducing valve is required.
- Drain outlet for icemaker dump is 3/4" FPT. The drain for condensation is a 5/8" OD pipe. The icemaker drain and the condensate drain piping connections must be made separately from the bin drain.
- A vented tee connection is required for proper flow.
- The drains must have 1/4" fall per foot on horizontal runs to get a good flow.
- The drains should not be piped directly to the sewer system. An air gap of a minimum of 2 vertical inches should be between the end of the drain pipes and the floor drain. See Fig. 9.
- The icemaker should be installed in accordance with applicable national, state and local regulations.
- A plumbing permit and services of a licensed plumber may be required in some areas.

**KMS-1230MLH**



**Fig. 9**

Separate piping to approved drain.  
Leave a two-inch (5 cm) vertical air gap  
between the end of each pipe and the  
drain.

## H. Final Checklist

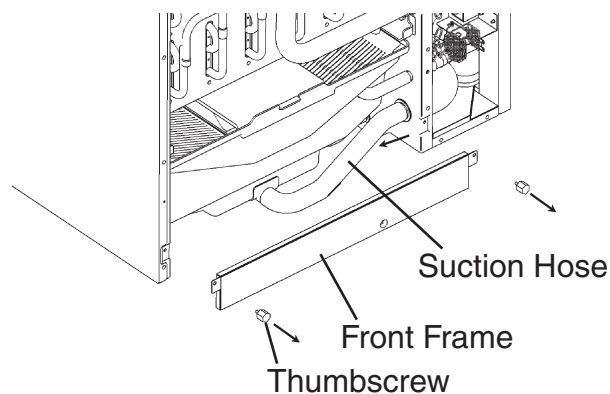
- 1) Is the icemaker level?
- 2) Are all components, fasteners and thumbscrews securely in place?
- 3) Is there at least 24" minimum clearance around the condensing unit?
- 4) Have all shipping cartons, tape and packing been removed from the icemaker and condensing unit? Are the cube guides and tank separator in their correct positions?
- 5) Is the icemaker in a site where the ambient temperature is within +45°F to +100°F (7°C to 38°C) all year around?
- 6) Have all electrical and piping connections been made? Are line sets tightened, secured and free of kinks?
- 7) Does the electrical installation meet all national, state and local codes and regulations?  
Has the power supply voltage been checked or tested against the nameplate rating?  
Has a proper ground been installed to the condensing unit and icemaker unit?
- 8) Has the electrical power supply been on to the condensing unit for a minimum of 4 hours?
- 9) Are the water supply line shut-off valve and drain valve installed? Has the water supply pressure been checked to ensure a minimum of 10 PSIG and a maximum of 113 PSIG?  
Note: The icemaker may stop running when the water supply is OFF, or if the pressure is below 10 PSIG.
- 10) Have the compressor hold-down bolts and refrigerant lines been checked against vibration and possible failure?
- 11) Has the bin control been installed and checked for correct operation? To check, push on the actuator paddle during the first 5 minutes of the freeze cycle and the ice machine should stop within 5 seconds.
- 12) Were all tank hoses and thumbscrews reconnected and secured after installing the bin control?  
Note: Confirm that there is no gap behind the bin control bracket.
- 13) Has the end user been given the instruction manual, and instructed on how to operate the icemaker and the importance of the recommended periodic maintenance?
- 14) Has the end user been given the name and telephone number of an authorized service agent?
- 15) Has the warranty tag been filled out and forwarded to the factory for warranty registration?

## I. Startup

### IMPORTANT

1. Electrical power must be on at the condensing unit for a minimum of 4 hours prior to start up to prevent compressor damage.
2. All parts are factory-adjusted. Improper adjustments may result in failure.
3. If the unit is turned off, wait for at least 3 minutes before restarting the icemaker to prevent damage to the compressor.
4. Do not operate the unit in the "WASH" position without water in the water tank. This may cause damage to the water pump seal.

- 1) Open the water supply line shut-off valve.
- 2) Remove the front panel.
- 3) Move the control switch on the control box to the "ICE" position.
- 4) Replace the front panel in its correct position.
- 5) Turn on the power supply, and allow the water tank to fill with water and the icemaker to operate for a total of 10 minutes.
- 6) Turn off the power supply, and drain the water tank by removing the front panel, front insulation panel, front frame and suction hose. See Fig. 10.
- 7) Replace the removed parts in their correct positions.
- 8) Remove all ice from the dispenser or storage bin and clean the dispenser or storage bin.
- 9) Turn on the power supply to start the automatic icemaking process.



**Fig. 10**

---

### III. Cleaning and Maintenance Instructions

#### IMPORTANT

Ensure all components, fasteners and thumbscrews are securely in place after any maintenance or cleaning is done to the equipment.

#### A. Cleaning and Sanitizing

#### WARNING

1. HOSHIZAKI recommends cleaning this unit at least once a year. More frequent cleaning, however, may be required in some existing water conditions.
2. To prevent injury to individuals and damage to the icemaker, do not use ammonia type cleaners.
3. Always wear liquid-proof gloves to prevent the cleaning and sanitizing solutions from coming into contact with skin.

#### 1. Cleaning Procedure

- 1) Dilute 22 fl. oz. (650 ml) of the recommended cleaner Hoshizaki "Scale Away" or "LIME-A-WAY" (Economics Laboratory, Inc.) with 4 gal. (15 l) of warm water.
- 2) Remove all ice from the evaporator and the dispenser or storage bin unit.  
Note: To remove cubes on the evaporator, turn off the power supply and turn it on after 3 minutes. The defrost cycle starts and the cubes will be removed from the evaporator.
- 3) Turn off the power supply. Remove the front panel.
- 4) Place the control switch in the "SERVICE" position. Then place the service switch in the "DRAIN" position.
- 5) Replace the front panel and turn on the power supply for 2 minutes.
- 6) Turn off the power supply.
- 7) Remove the front panel.
- 8) In bad or severe water conditions, clean the float switch as described below. Otherwise, continue to step 9.
  - a. Remove the right-side panel.
  - b. Disconnect the vent tube from the top of the float switch, then remove the float switch and rubber boot.
  - c. Twist the wire stem on top of the float switch housing to release the float assembly, then lower it out of the housing.
  - d. Wipe down the float switch housing, shaft and float with cleaning solution. Clean the inside of the rubber boot and hose with cleaning solution.
  - e. Reassemble the float switch. Replace the rubber boot and the float switch in their correct positions. Reconnect the vent tube.
  - f. Replace the right-side panel in its correct position.

- 9) Remove the insulation panel by removing the thumbscrews, then pour the cleaning solution into the water tank.
  - 10) Move the service switch to the "WASH" position.
  - 11) Replace the insulation panel and the front panel in their correct positions.
  - 12) Turn on the power supply and start the washing process.
  - 13) Turn off the power supply after 30 minutes. Remove the front panel.
  - 14) Move the service switch to the "DRAIN" position.
  - 15) Replace the front panel and turn on the power supply for 2 minutes.
  - 16) Turn off the power supply and remove the front panel.
  - 17) Move the control switch to the "ICE" position.
  - 18) Replace the front panel in its correct position.
  - 19) Turn on the power supply to fill the water tank with water.
  - 20) Turn off the power supply after 3 minutes.
  - 21) Remove the front panel.
  - 22) Move the control switch to the "SERVICE" position, then move the service switch to the "WASH" position.
  - 23) Replace the front panel in its correct position.
  - 24) Turn on the power supply to rinse off the cleaning solution.
  - 25) Turn off the power supply after 5 minutes.
  - 26) Remove the front panel.
  - 27) Move the service switch to the "DRAIN" position.
  - 28) Replace the front panel and turn on the power supply for 2 minutes.
  - 29) Turn off the power supply. Remove the front panel.
  - 30) Repeat the above steps 17) through 29) three more times to rinse thoroughly.
- Note: If you do not sanitize the icemaker, go to step 13 in "2. Sanitizing Procedure."

## 2. Sanitizing Procedure - Following Cleaning Procedure

- 1) Dilute a 5.25% sodium hypochlorite solution (chlorine bleach) with water. (Add 2 fl. oz. (60 ml) of sanitizer to 4 gal. (15 l) of water).
- 2) Remove the insulation panel, if it is in its normal position.
- 3) Pour the sanitizing solution into the water tank.
- 4) Move the service switch to the "WASH" position.
- 5) Replace the insulation panel and the front panel in their correct positions.
- 6) Turn on the power supply, and start the sanitizing process.
- 7) Turn off the power supply after 15 minutes. Remove the front panel.
- 8) Move the service switch to the "DRAIN" position.
- 9) Replace the front panel and turn on the power supply for 2 minutes.
- 10) Turn off the power supply. Remove the front panel.
- 11) Repeat the above steps 17) through 29) in "1. Cleaning Procedure" two times to rinse thoroughly.
- 12) Repeat the above steps 1) through 11) one more time.
- 13) Move the control switch to the "ICE" position.
- 14) Replace the front panel in its correct position.
- 15) Clean the dispenser or storage bin with water.
- 16) Turn on the power supply and start the automatic icemaking process.

## B. Maintenance

### IMPORTANT

This icemaker must be maintained individually, referring to the instruction manual and labels provided with the icemaker.

#### 1. Stainless Steel Exterior

To prevent corrosion, wipe the exterior occasionally with a clean and soft cloth. Use a damp cloth containing a neutral cleaner to wipe off oil or dirt build up.

#### 2. Dispenser or Storage Bin Unit and Scoop

- Wash your hands before removing ice. Use the plastic scoop provided (accessory).
- The dispenser or storage bin is for ice use only. Do not store anything else in the bin.
- Keep the scoop clean. Clean it by using a neutral cleaner and rinse thoroughly.
- Clean the bin liner by using a neutral cleaner. Rinse thoroughly after cleaning.

#### 3. Condenser

Check the condenser once a year, and clean the coil if required by using a brush or vacuum cleaner. More frequent cleaning may be required depending on the location of the condensing unit.

## C. Preparing the Icemaker for Long Storage

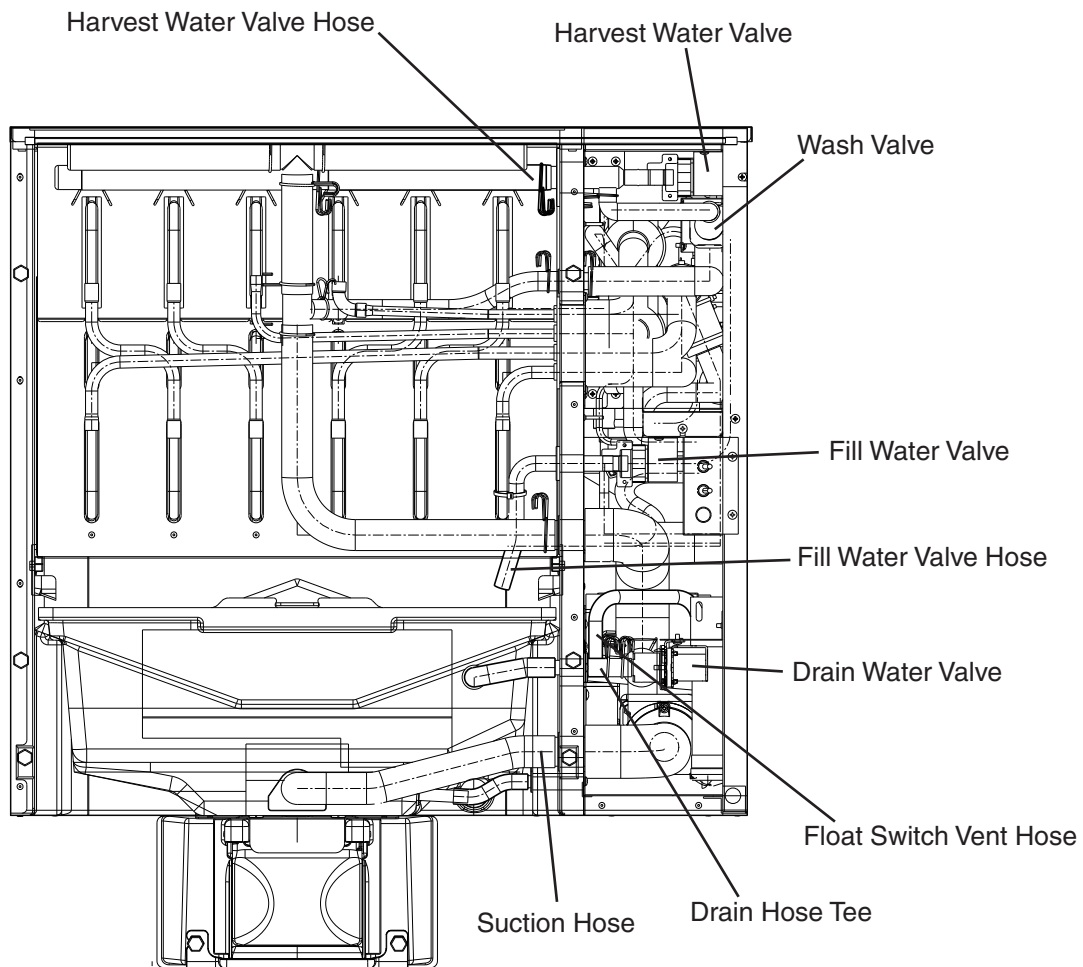
### CAUTION

When the icemaker is not used for two or three days under normal conditions, it is sufficient to only move the control switch to the "OFF" position. When storing the icemaker for extended time or in sub-freezing temperatures, turn the water off and drain out all water from the water lines and remove the ice from the dispenser or storage bin. The dispenser or storage bin should be cleaned and dried. Drain the icemaker water hoses using air or carbon dioxide to prevent damage at sub-freezing temperatures.

To drain all water from the icemaker, follow the steps below. See Fig. 11.

- 1) Remove the front panel.
- 2) Move the control switch to the "OFF" position. Confirm that the service switch is in the "OFF" position.
- 3) Remove the front insulation, front frame, right side panel, and control box cover.
- 4) Disconnect the thermistor from the K3 connector on the control board, and unplug the water pump connector at the water pump.
- 5) Wait 3 minutes, then move the control switch to the "ICE" position. Confirm that the bin control switch is closed and calling for ice. The green BC CLOSED LED on the control board should be on.
- 6) Once LED 1 and 2 on the control board energize (the order of the LEDs from the outer edge of the control board is 1,4,3,2), close the potable water supply line shut-off valve and open the potable water supply line drain valve. Allow the line to drain by gravity.
- 7) Disconnect the harvest water valve hose in the evaporator section and blow out the water line to the harvest water valve using compressed air or carbon dioxide. This will clear water from the harvest water valve.
- 8) Move the control switch to the "OFF" position.
- 9) Move the service switch to the "WASH" position and the control switch to the "SERVICE" position.
- 10) Using the same hose as with the harvest water valve, blow out the wash valve using compressed air or carbon dioxide.
- 11) Move the service switch to the "OFF" position and the control switch to the "OFF" position.
- 12) Remove the 4 hoses connected to the water tank. Allow the tank and hoses to completely drain.
- 13) Move the control switch to the "ICE" position.
- 14) Using the fill water valve hose, blow the water line out using compressed air or carbon dioxide. This will clear water from the fill water valve.
- 15) Move the control switch to the "OFF" position.

- 16) Disconnect the float switch vent hose from the drain hose tee. Move the service switch to the "DRAIN" position and the control switch to the "SERVICE" position.
- 17) From the tee on the drain hose, blow the drain water valve out using compressed air or carbon dioxide.
- 18) Move the service switch to the "OFF" position and the control switch to the "OFF" position.
- 19) Reconnect the thermistor to the K3 connector on the control board. Reconnect the water pump connector.
- 20) Close the potable water supply line drain valve.
- 21) Remove all ice from the dispenser or storage bin and clean the bin.
- 22) Turn off the power supply.
- 23) Replace all removed parts and panels in their correct positions.



**Fig. 11**

**HOSHIZAKI AMERICA, INC.**

---

618 Hwy. 74 S., Peachtree City, GA 30269 USA | TEL (770) 487-2331 | FAX (770) 487-3360 | [www.hoshizaki.com](http://www.hoshizaki.com) | 91A1YA10A