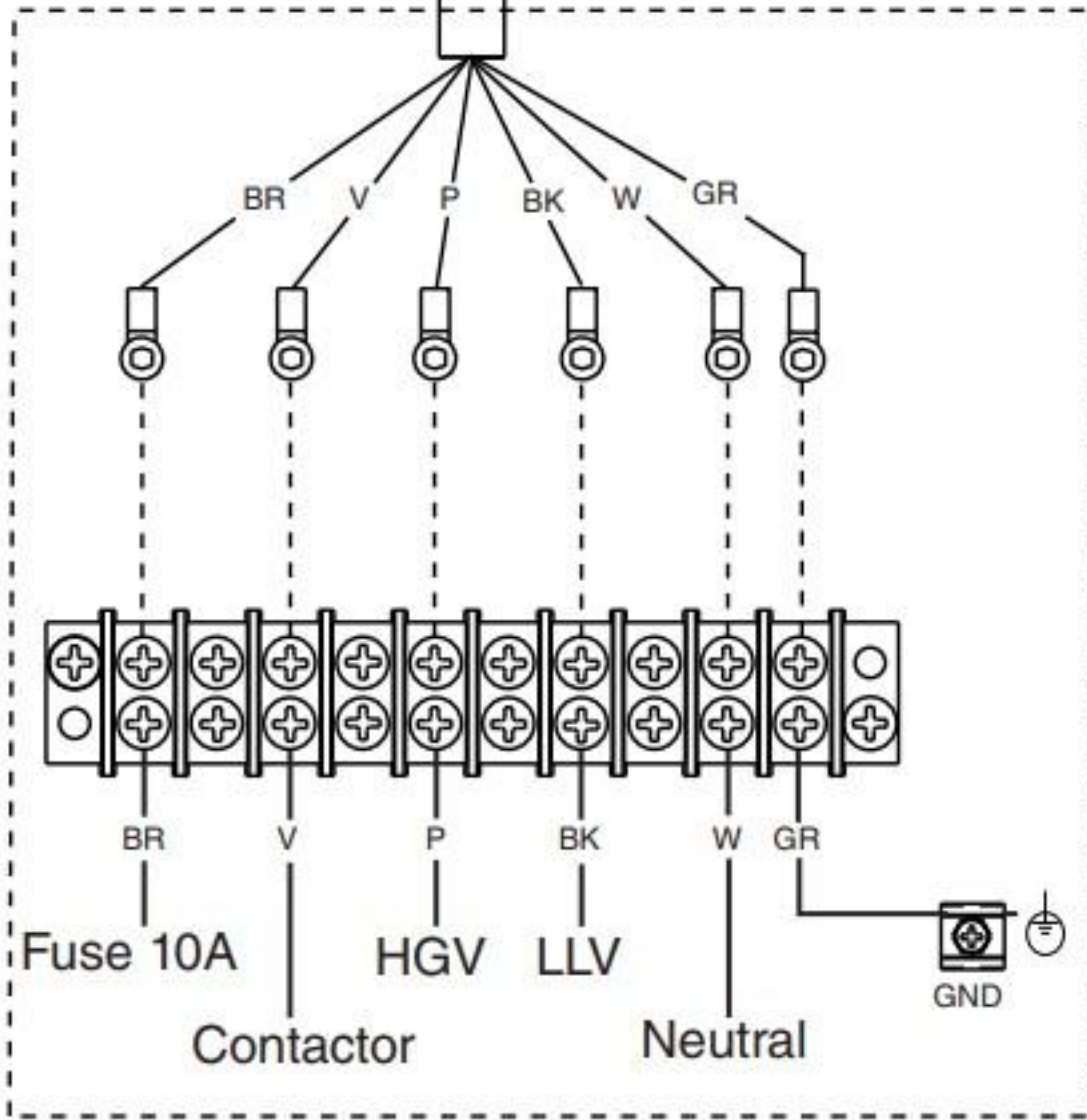
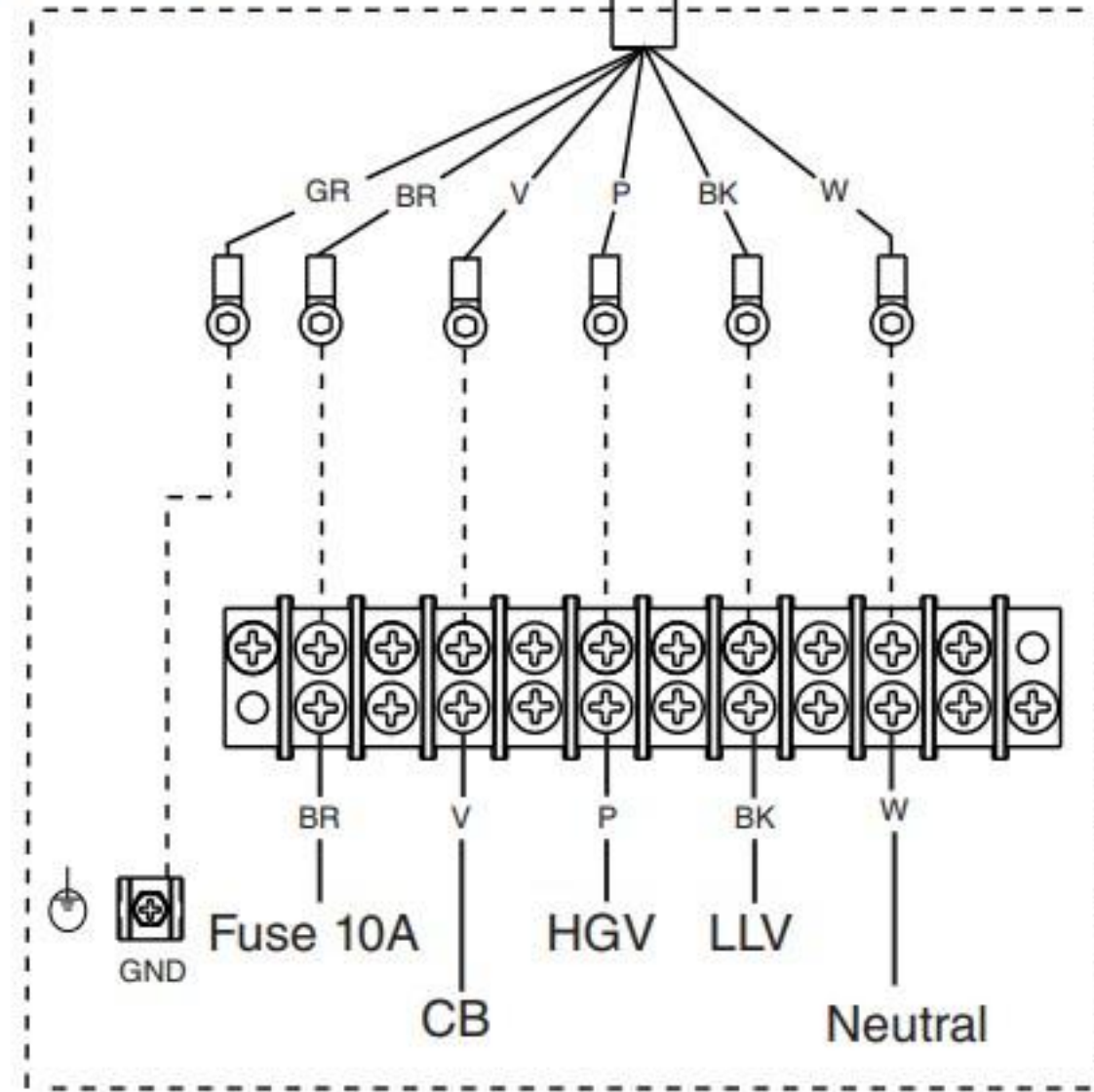


**SRK Condensing Unit
(field connected)**



**KMS Icemaker Unit
(factory connected)**

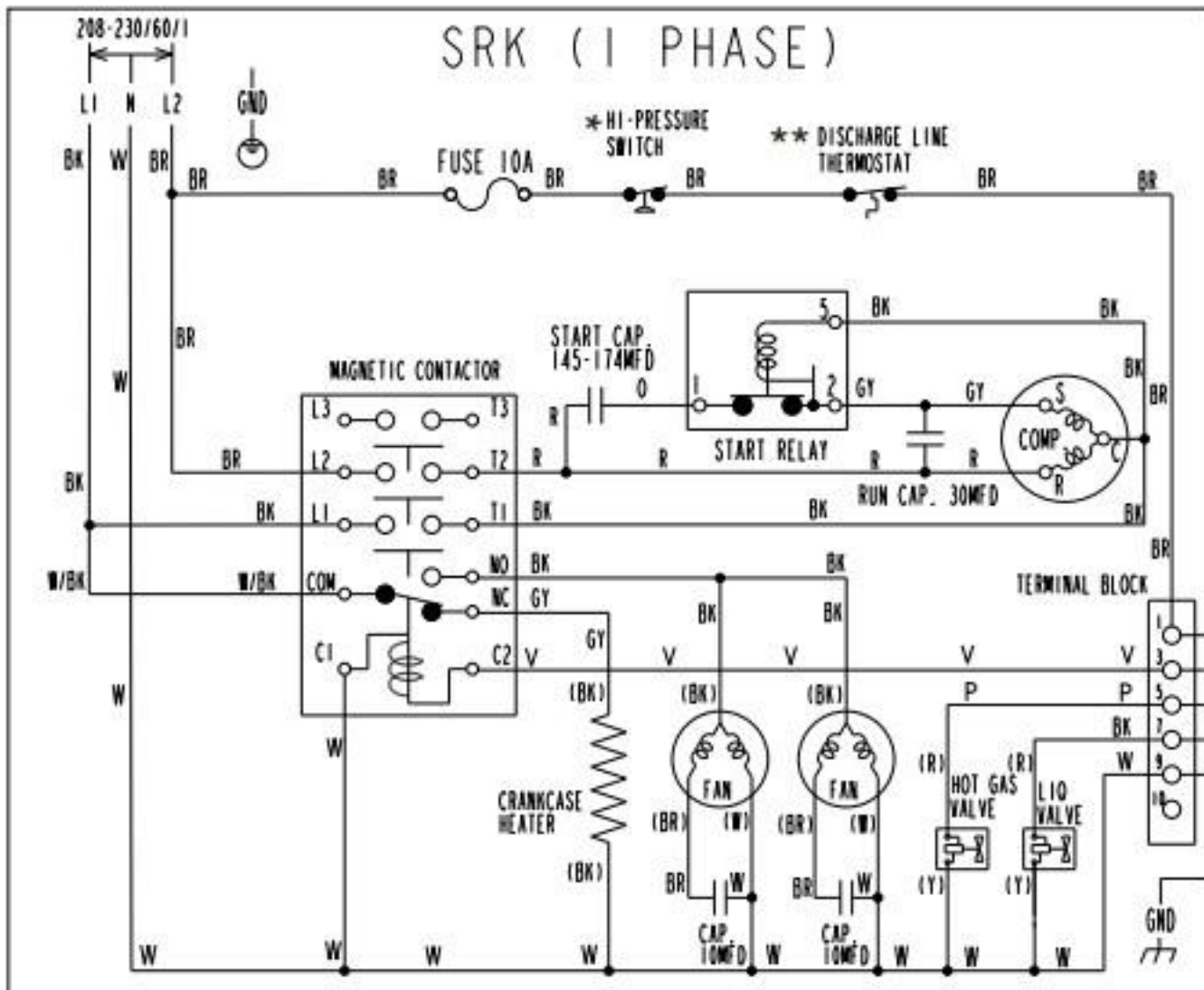


Wire Color Code:

BK-black
BR-brown
GR-green
P-pink
V-violet
W-white

Legend:

CB-control board
GND-ground
HGV-hot gas valve
LLV-liquid line valve



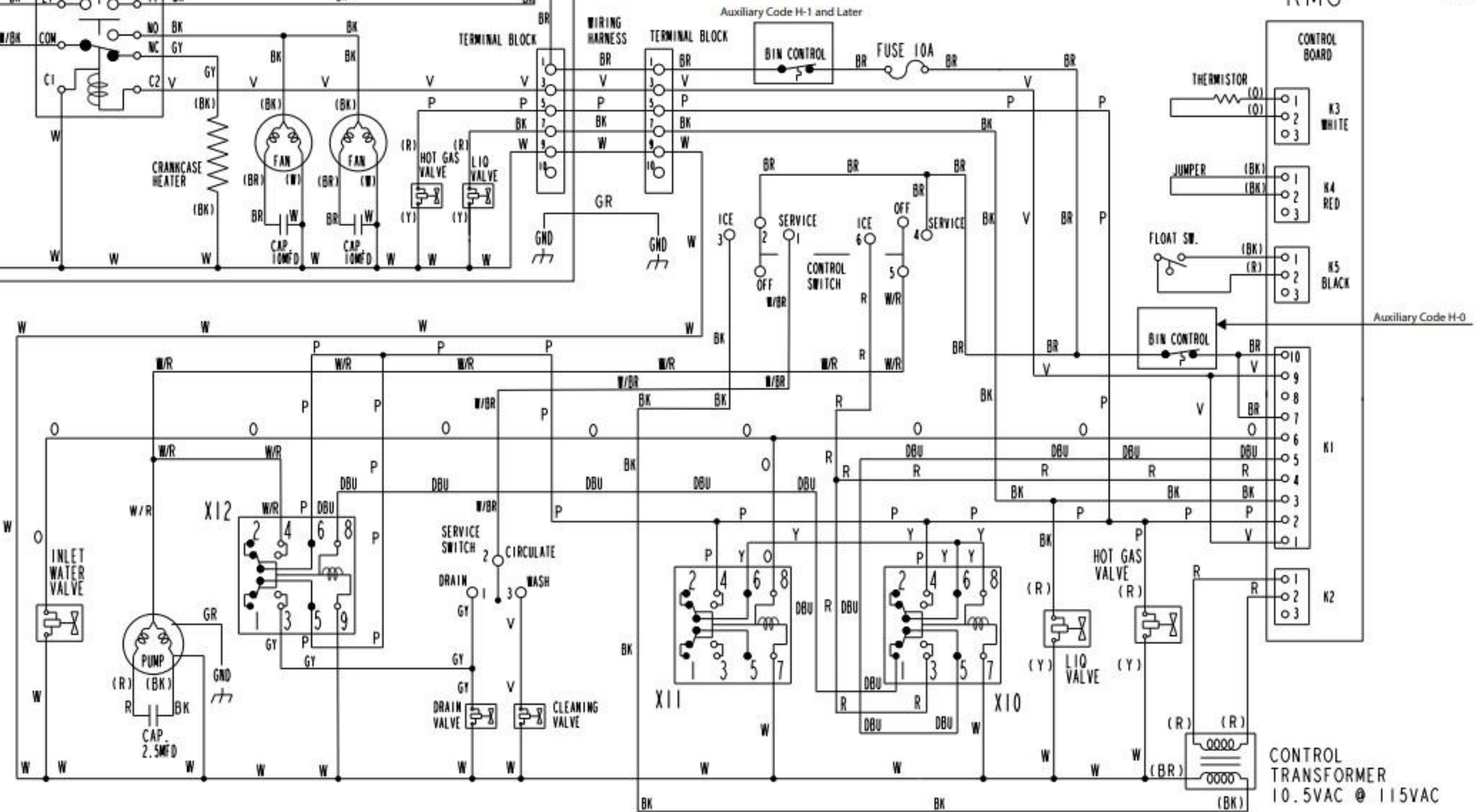
S4 DIP SWITCH SETTING	No. 1	No. 2	No. 3	No. 4	No. 5	No. 6	No. 7	No. 8	No. 9	No. 10
KMS-1122MLJ	OFF	OFF	OFF	OFF	ON	OFF	ON	OFF	OFF	OFF

S5 DIP SWITCH SETTING	No. 1	No. 2	No. 3	No. 4	No. 5
KMS-1122MLJ	OFF	OFF	OFF	OFF	ON

X10 PUMP MOTOR RELAY
X11 X10 CONTROL RELAY
X12 PUMPOUT RELAY

WIRE COLOR CODE

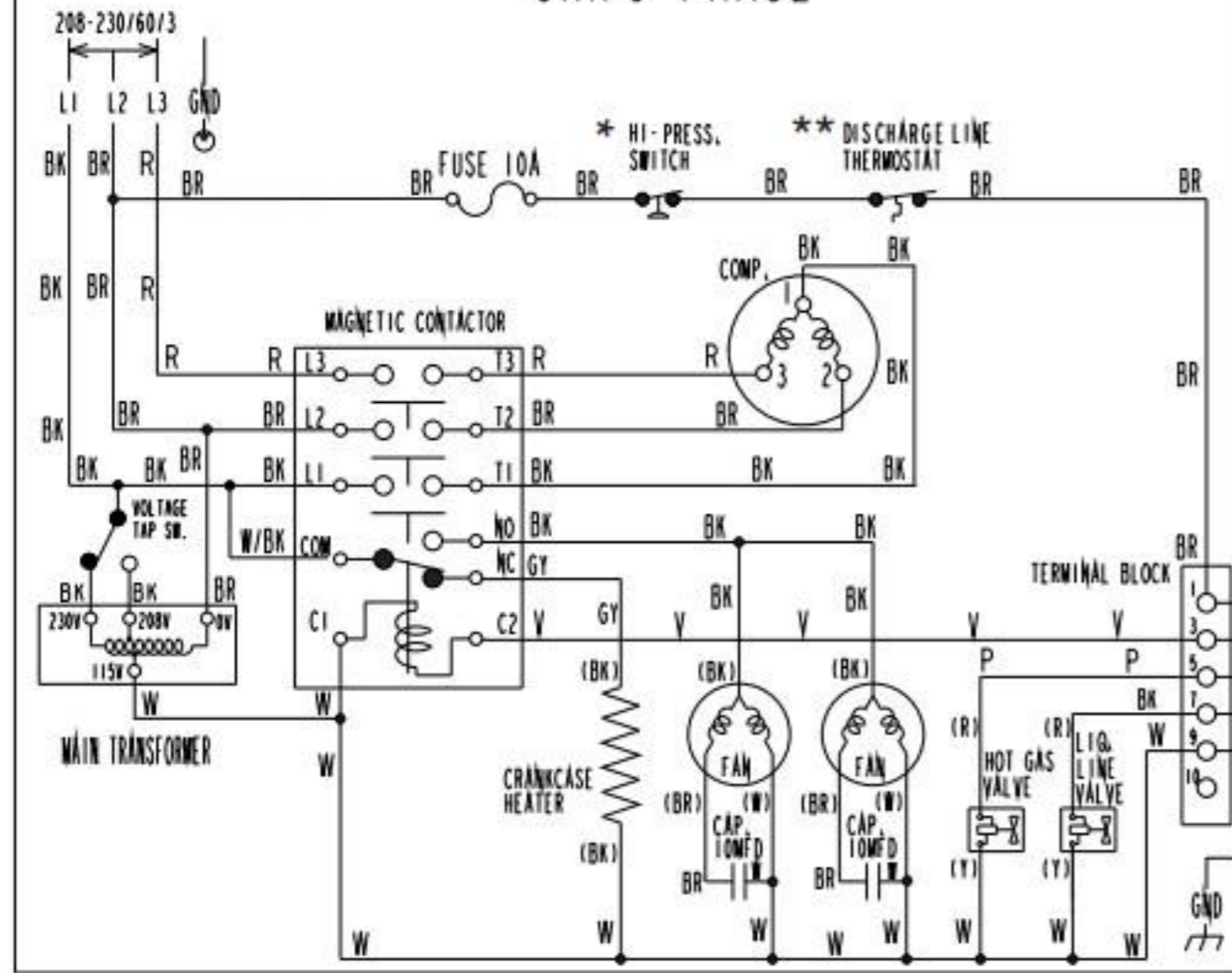
BK	-BLACK
BR	-BROWN
DBU	-DARK BLUE
GR	-GREEN
GY	-GRAY
O	-ORANGE
P	-PINK
R	-RED
V	-VIOLET
W	-WHITE
Y	-YELLOW
W/BR	-WHITE/BROWN
W/R	-WHITE/RED
W/BK	-WHITE/BLACK



*High-Pressure Switch	
Cut-out	426± ²² ₀ PSIG
Cut-in	341±22 PSIG

** Discharge Line Thermostat	
Cut-out	266°F±9°F (130°C± 5°C)
Cut-in	239°F±9°F (115°C±5°C)

SRK 3 PHASE



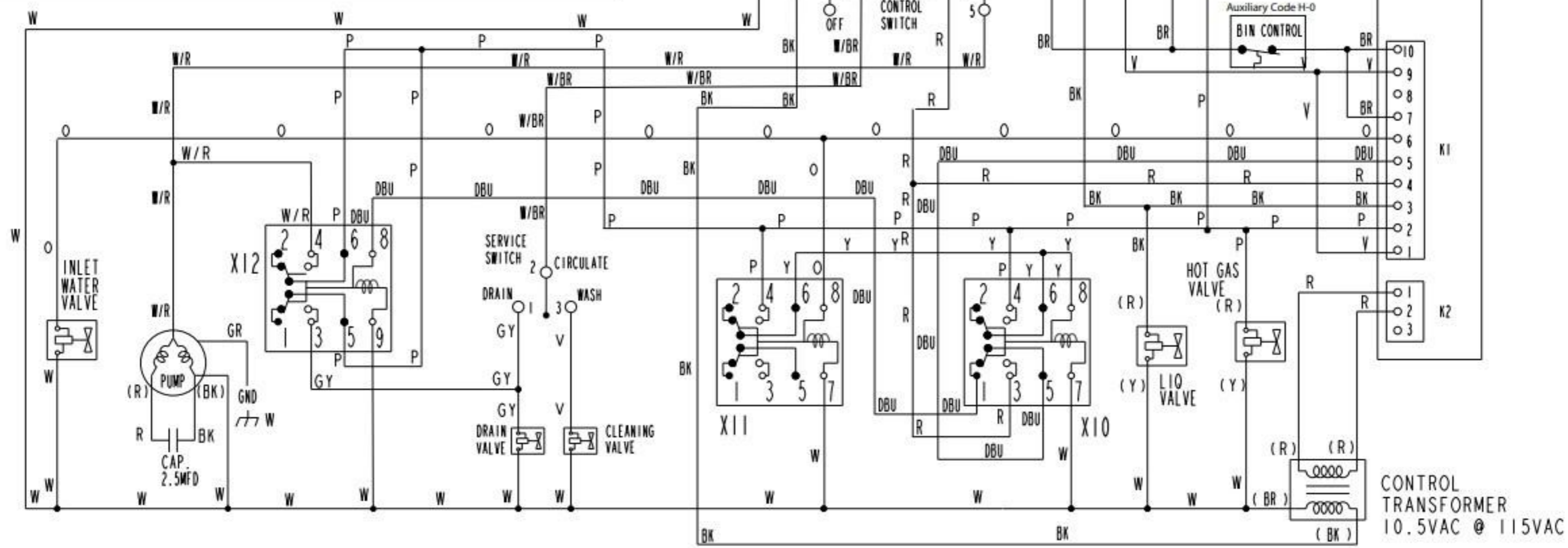
S4 DIP SWITCH SETTING	No. 1	No. 2	No. 3	No. 4	No. 5	No. 6	No. 7	No. 8	No. 9	No. 10
KMS-1122MLJ	OFF	OFF	OFF	OFF	ON	OFF	ON	OFF	OFF	OFF

S5 DIP SWITCH SETTING	No. 1	No. 2	No. 3	No. 4	No. 5
KMS-1122MLJ	OFF	OFF	OFF	OFF	ON

X10 PUMP MOTOR RELAY
X11 X10 CONTROL RELAY
X12 PUMPOUT RELAY

KMS

- WIRE COLOR CODE
- BK -BLACK
 - BR -BROWN
 - DBU -DARK BLUE
 - GR -GREEN
 - GY -GRAY
 - O -ORANGE
 - P -PINK
 - R -RED
 - V -VIOLET
 - W -WHITE
 - Y -YELLOW
 - W/BR -WHITE/BROWN
 - W/R -WHITE/RED
 - W/BK -WHITE/BLACK



CONTROL TRANSFORMER
10.5VAC @ 115VAC