



HOSHIZAKI

Parts List

Modular Crescent Cuber
Serenity Series

Models
KMS-1122MLJ



hoshizakiamerica.com

Number: 71396
Issued: 3-9-2018
Revision: 8-20-2025

CONTENTS

Auxiliary Codes.....	3
Note About Ordering Parts	3
A. Ice Cuber Assembly and Refrigeration Circuit.....	4
B. Water Circuit	6
C. Control Box Assembly	8
D. Accessories & Labels	11

Auxiliary Codes

KMS-1122MLJ

G-0	December 2017
H-0	March 2018
H-1	October 2018
J-0	January 2019
K-0	February 2020
L-0	January 2021
L-2	August 2021
M-0	February 2022
M-1	August 2022
N-0	February 2023
P-0	April 2024
P-3	November 2024

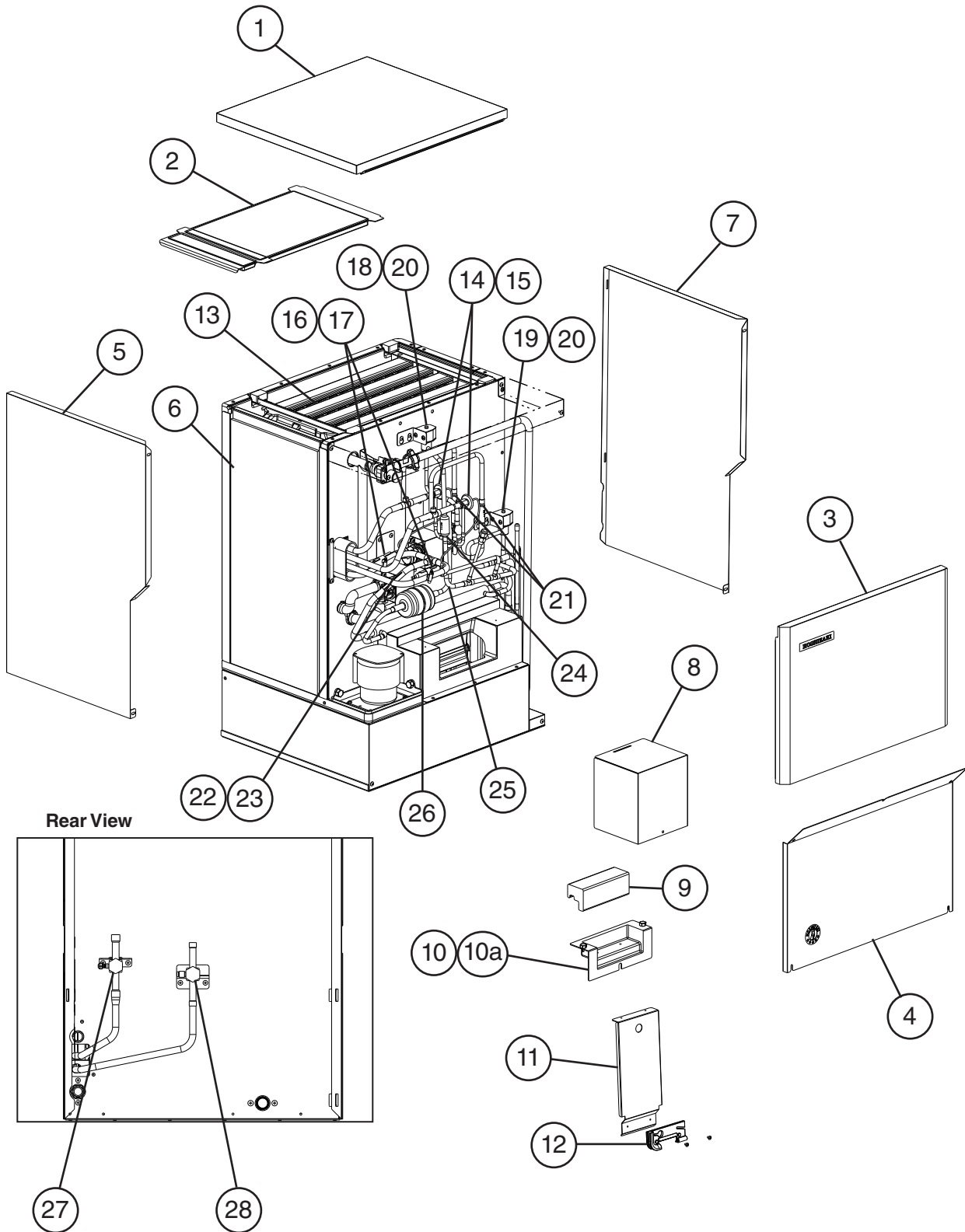
Auxiliary Code Breakdown

The auxiliary code is the first two characters in the serial number. The first character indicates the year. Years progress or regress in alphabetical order. The series runs from "A" through "V" and the letters "I" and "O" are skipped. The second character indicates significant part changes within a year. Base is "0" and this number advances for each change. In cases where there is a letter in parentheses, this designates the month. This is the last character in the serial number. The series runs from "(A)" through "(M)" and the letter "(I)" is skipped. This designation is only included when identifying a parts change within an auxiliary code.

Note About Ordering Parts

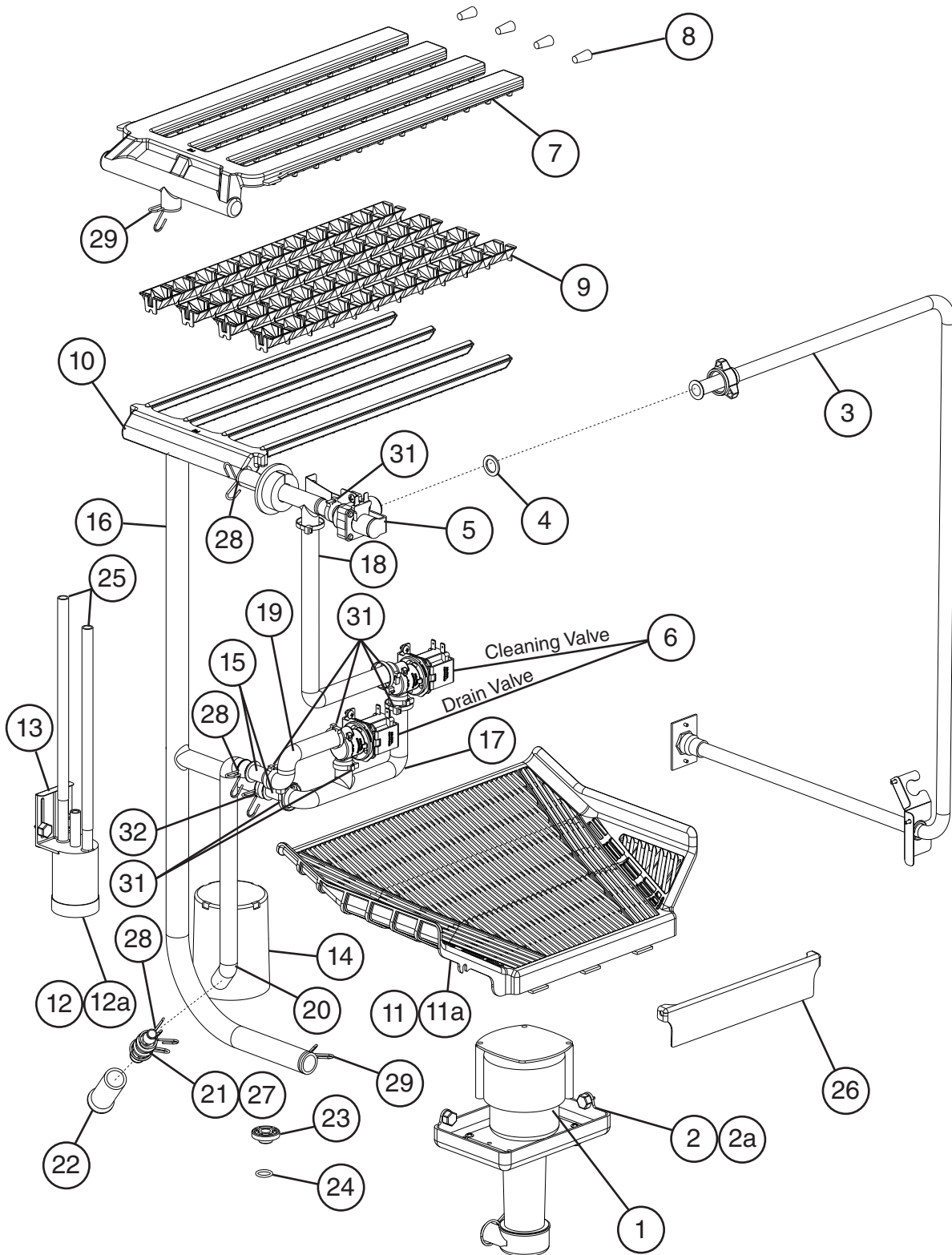
Most assemblies cannot be ordered as complete units; parts in the assemblies generally must be ordered separately.

A. Ice Cuber Assembly and Refrigeration Circuit
KMS-1122MLJ
 G-0 to P-3



Title: A. Ice Cuber Assembly and Refrigeration Circuit Model: KMS-1122MLJ												
Index No.	Description	Material or Model Number	Part Number	Required Number								
				G-0 to M-0	M-1 to P-3							
Ice Cuber Assembly												
1	Top Panel		1A2536-01	1	1							
2	Top Insulation Panel		3A7183G02	1	1							
3	Front Panel Assembly		2A9968A01	1	1							
4	Apron Panel		1A2539-01	1	1							
5	Left Side Panel		1A2537-01	1	1							
6	Side Insulation Panel		3A7154G01	1	1							
7	Right Side Panel		1A2538-01	1	1							
8	Control Box Cover		3A7231-01	1	1							
9	Bin Control Insulation		4A3068-01	1	1							
10	Bin Control Cover		3A2642-01	1	1							
10a	Thumbscrew		415949G10	2	2							
11	Bin Control Bracket		3A7276-01	1	1							
12	Bin Control Bulb Holder		3A3903-01	1	1							
Refrigeration Circuit												
13	Evaporator		1A4900G01	1	1							
14	Thermostatic Expansion Valve		4A4008-02	2	2							
15	Thermostatic Expansion Valve Cover		3A0944-01	2	-							
			4A6853-01		2							
16	Thermostatic Expansion Valve Bulb Holder		3A0107-01	2	2							
17	Clamp		443461-02	2	2							
18	Hot Gas Valve Body		4A3978-01	1	1							
19	Liquid Line Valve Body		4A3276-01	1	1							
20	Valve Coil		4A3277-01	2	2							
21	Check Valve		4A2054-01	2	2							
22	Thermistor		429006-03	1	1							
23	Thermistor Holder		427430-01	1	1							
24	Strainer		441569-04	1	1							
25	Heat Exchanger		4A3754-01	1	1							
26	Drier		4A1338-01	1	1							
27	Suction Line Shutoff Valve		4A3490-01	1	1							
28	Liquid Line Shutoff Valve		4A4822-01	1	1							

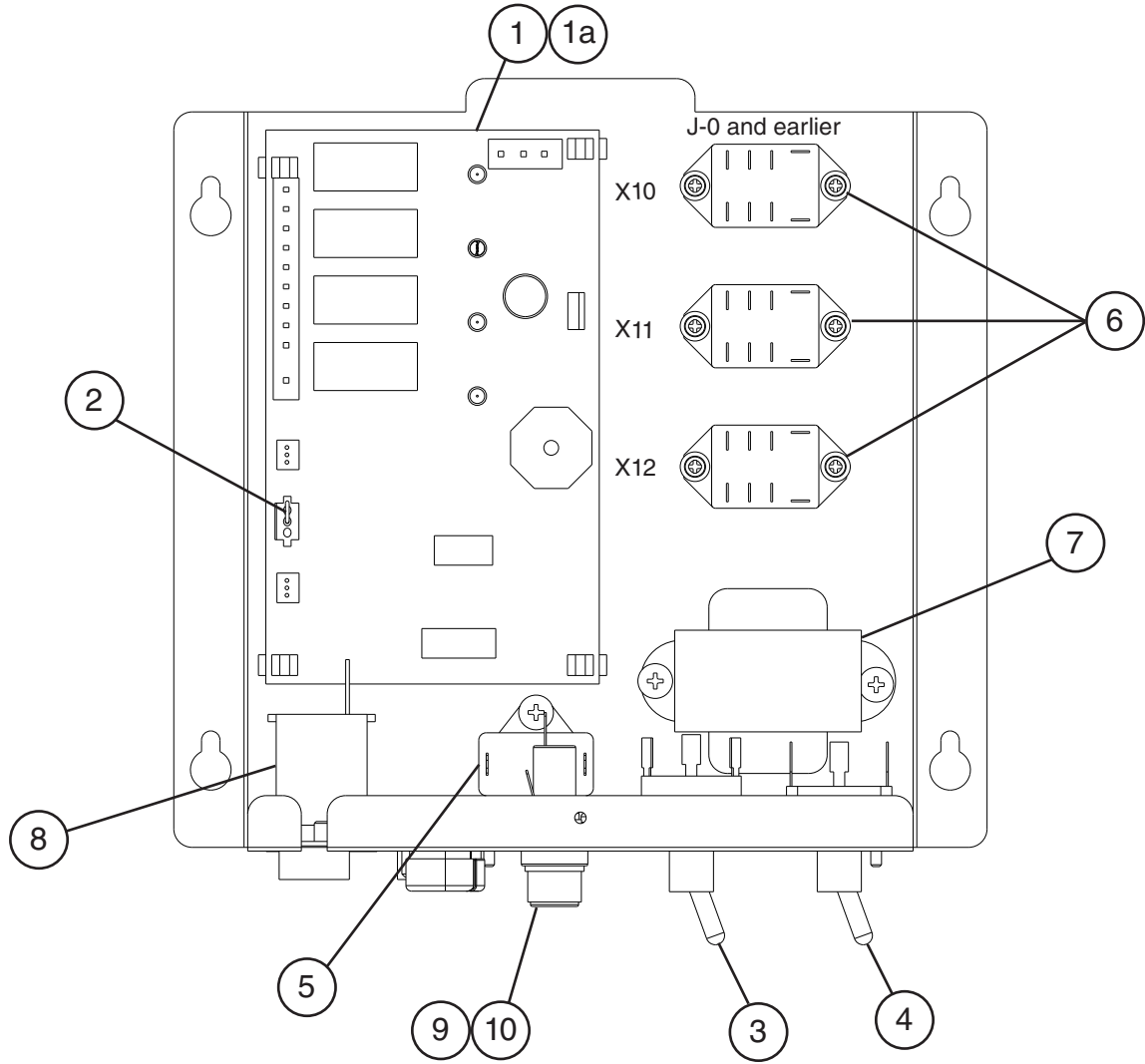
B. Water Circuit
KMS-1122MLJ
 G-0 to P-3



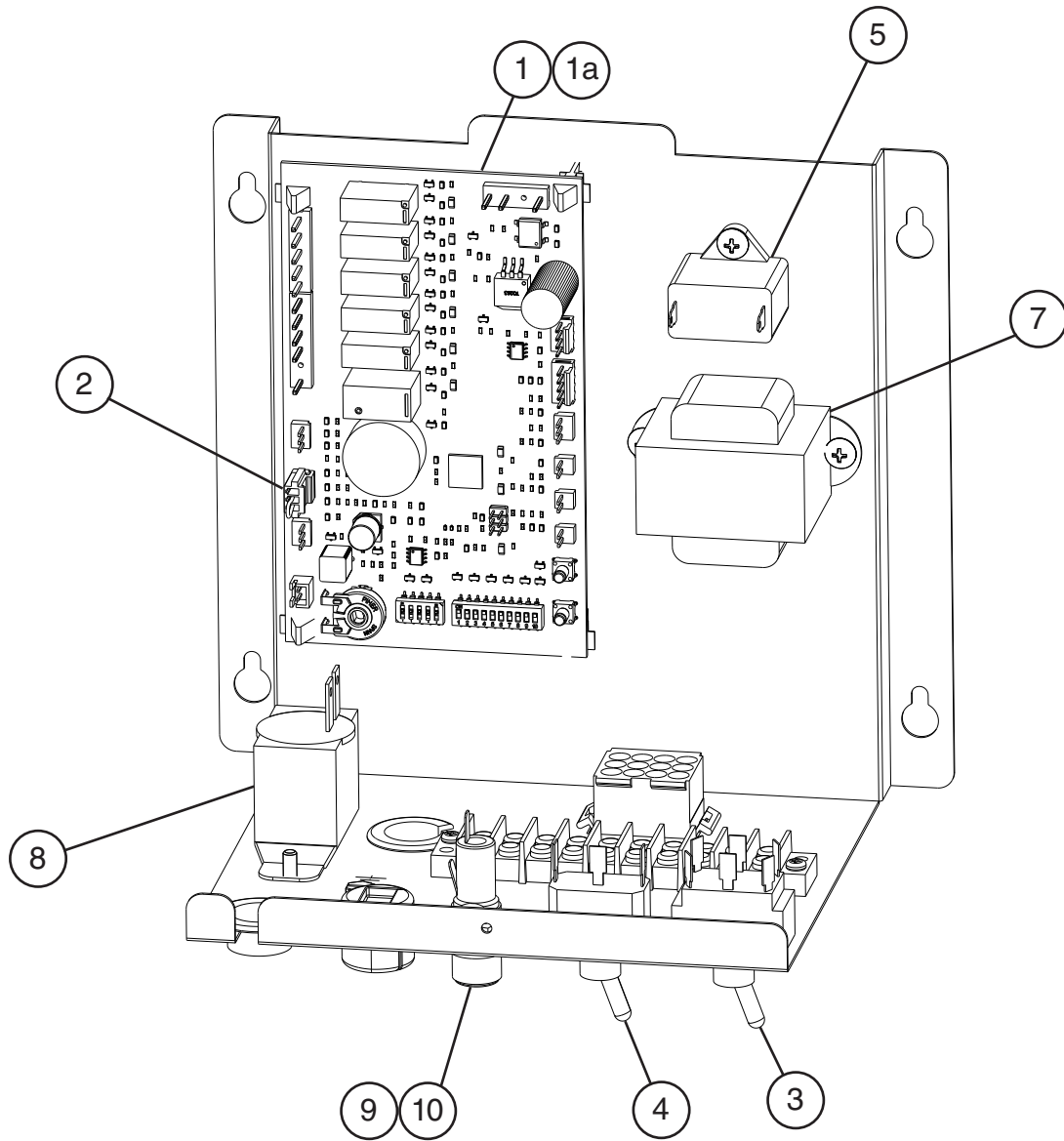
Title: B. Water Circuit Model: KMS-1122MLJ

Index No.	Description	Material or Model Number	Part Number	Required Number									
				G-0 H-0	H-1 to N-0	P-0 P-3							
1	Pump Motor		4A4259-01	1	1	1							
2	Pump Motor Bracket		3A7152-01	1	1	1							
2a	Thumbscrew		415949G10	2	2	2							
3	Water Supply Pipe		3A7130G01	1	1	1							
4	Rubber Gasket		413854-03	1	1	1							
5	Inlet Water Valve		3U0111-02	1	1	1							
6	Cleaning Valve/Drain Valve		4A5530-01	2	2	2							
7	Spray Tube		1A2554-01	1	1	1							
8	Spray Tube Plug		4A0176-01	4	4	4							
9	Spray Guide		2A4282-05	4	4	4							
10	Water Supply Tube		1A2555-01	1	1	1							
11	Cube Guide		1A2553-01	1	1	1							
11a	Thumbscrew		415949G10	1	1	1							
12	Float Switch Assembly		4A7077G01	1	1	1							
12a	Thumbscrew		415949G10	2	2	2							
13	Float Switch Stop		4A6610-01	1	1	1							
14	Overflow Cap		323978-01	1	1	1							
15	Pipe E		4A3765-02	2	2	2							
16	Pump Hose		3A7147-01	1	1	1							
17	Cleaning Hose A		3A7150-01	1	1	1							
18	Cleaning Hose B		3A7151-01	1	1	1							
19	Drain Hose A		3A7148-01	1	1	1							
20	Drain Hose B		3A7149-01	1	1	1							
21	Barb Coupling		4A5529-01	1	1	1							
22	Drain Hose		325869-02	1	1	1							
23	Drain Plug		309246-01	1	1	1							
24	O-Ring		7611-P015	1	1	1							
25	Silicone Hose	L=250 mm	7730I3812	2	2	2							
26	Splash Curtain		4A6236-01	1	1	1							
Hose Clamps													
27	Hose Clamp	23 mm	427443-10	1	1	1							
28	Hose Clamp	18 mm	427443-05	2	2	3							
29	Hose Clamp	27 mm	427443-08	2	2	2							
30	Hose Clamp	17 to 21 mm	4A2017-05	7	-								
31	Hose Clamp		4A2017-06	1	1	7							
32	Nylon Ties		8911-0200	4	12	4							
33	Hose Clamp		427443-06			1							

C. Control Box Assembly
KMS-1122MLJ
1/2
G-0 to P-0

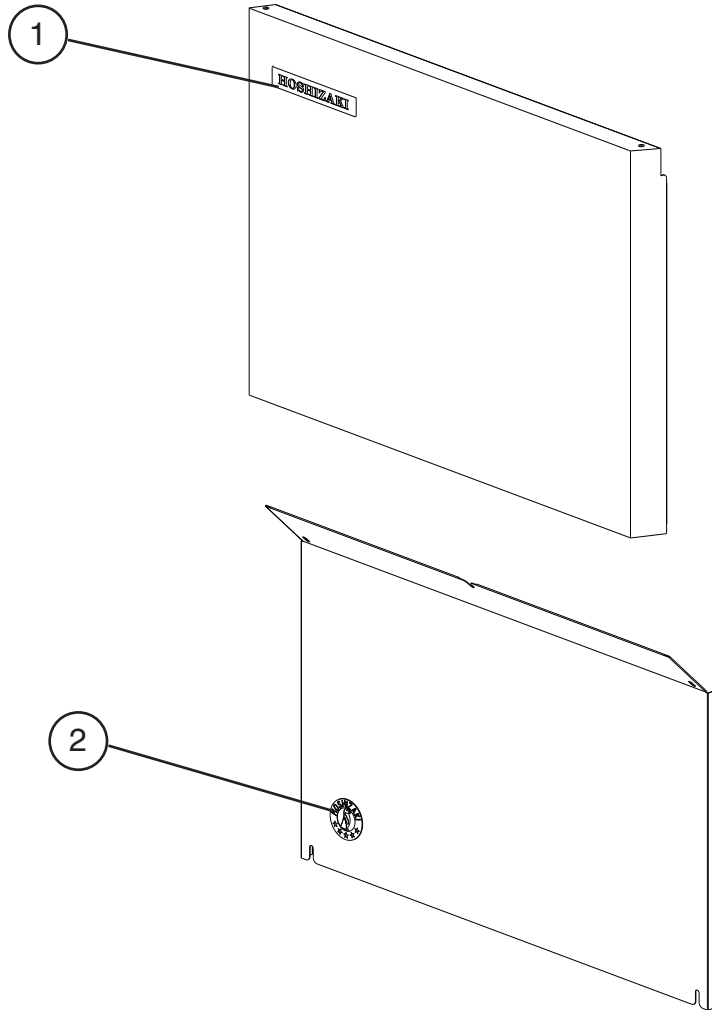


C. Control Box Assembly
KMS-1122MLJ
2/2
P-3



Title: C. Control Box Assembly Model: KMS-112MLJ												
Index No.	Description	Material or Model Number	Part Number	Required Number								
				G-0 to P-0	P-3							
1	Control Board		2A7664-04	1	-							
			2A9678-02		1							
1a	Control Board Support		4A0336-03	4	4							
2	K4 Jumper		4A4883G01	1	1							
3	Control Switch		443119-01	1	-							
			4A6232-01		1							
4	Service Switch		4A0985-01	1	1							
5	Pump Motor Capacitor	2.5MFD, 250VAC	4A2128-05	1	1							
6	Relay X10 = Pump Direction Relay X11 = X10 Control Relay X12 = Anti-Slush Control Relay		406132-07	3	-							
7	Control Transformer		3A0172-01	1	1							
8	Bin Control Thermostat		4A2879-01	1	1							
9	Fuse Holder		4A5443-01	1	1							
10	Fuse	10A, 250VAC	4A0893-07	1	1							

D. Accessories & Labels
KMS-1122MLJ
 G-0 to P-3



Title: D. Accessories & Labels Model: KMS-1122MLJ											
Index No.	Description	Material or Model Number	Part Number	G-0 to P-3	Required Number						
1	Hoshizaki Emblem Label		4A0560-01	1							
2	Penguin Label		475552L02	1							
3	Universal Brace		4A0363-01	2							
	2" Offset Brace		4A5544-01	2							
3a	Hex Head Bolt	5x12, SS	7B02-0512	2							
3b	Self-Tapping Bolt		7P111234	2							