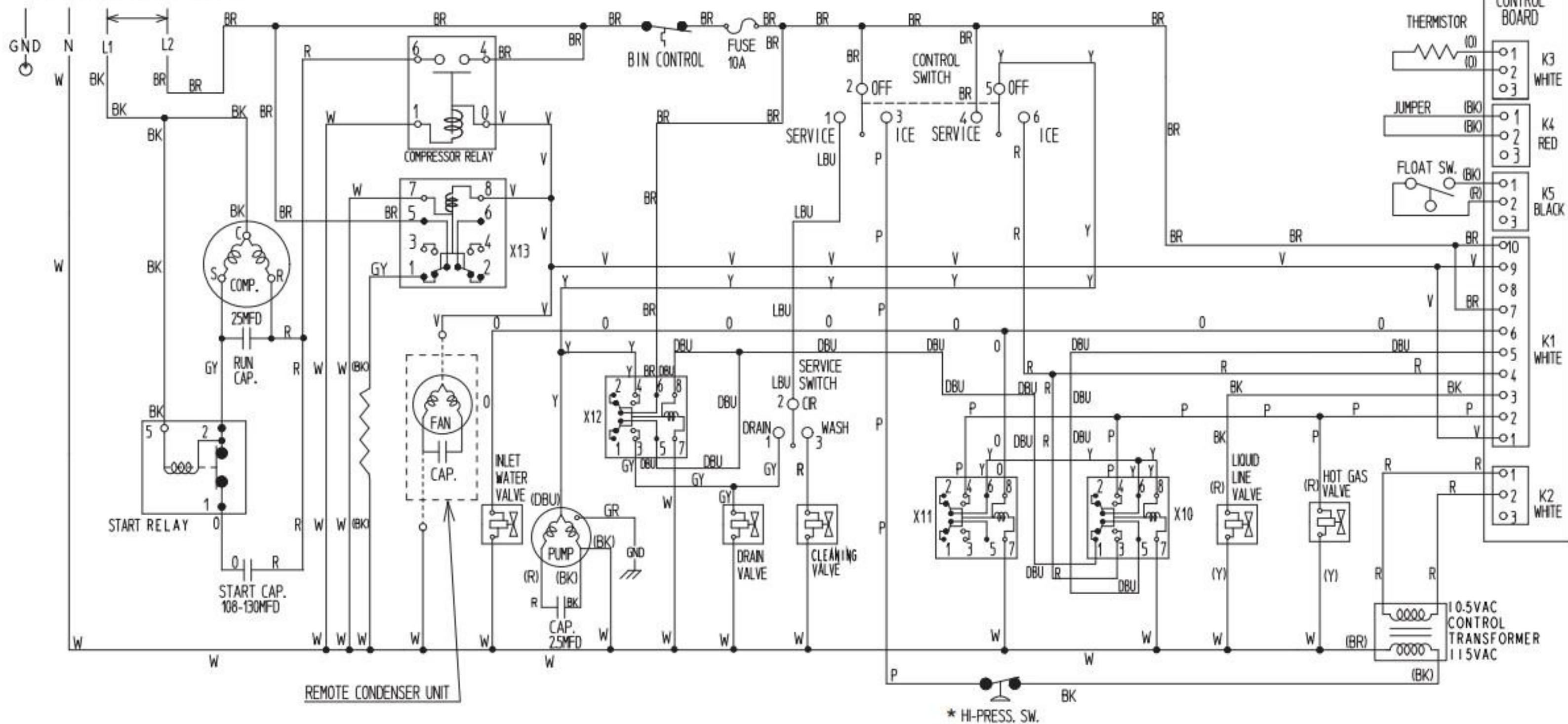


208-230/60/1 (3 WIRE WITH NEUTRAL)



REMOTE CONDENSER UNIT

* HI-PRESS. SW.

WIRE COLOR CODE

BK	BLACK	R	RED
BR	BROWN	V	VIOLET
DBU	DARK BLUE	W	WHITE
GR	GREEN	Y	YELLOW
GY	GRAY	W/BK	WHITE/BLACK
LBU	LIGHT BLUE	W/BR	WHITE/BROWN
O	ORANGE	W/BU	WHITE/BLUE
P	PINK	W/O	WHITE/ORANGE
		W/R	WHITE/RED

S4 DIP SWITCH SETTINGS

MODEL	1	2	3	4	5	6	7	8	9	10
KML-631MRH	OFF	OFF	OFF	OFF	ON	ON	ON	OFF	OFF	ON

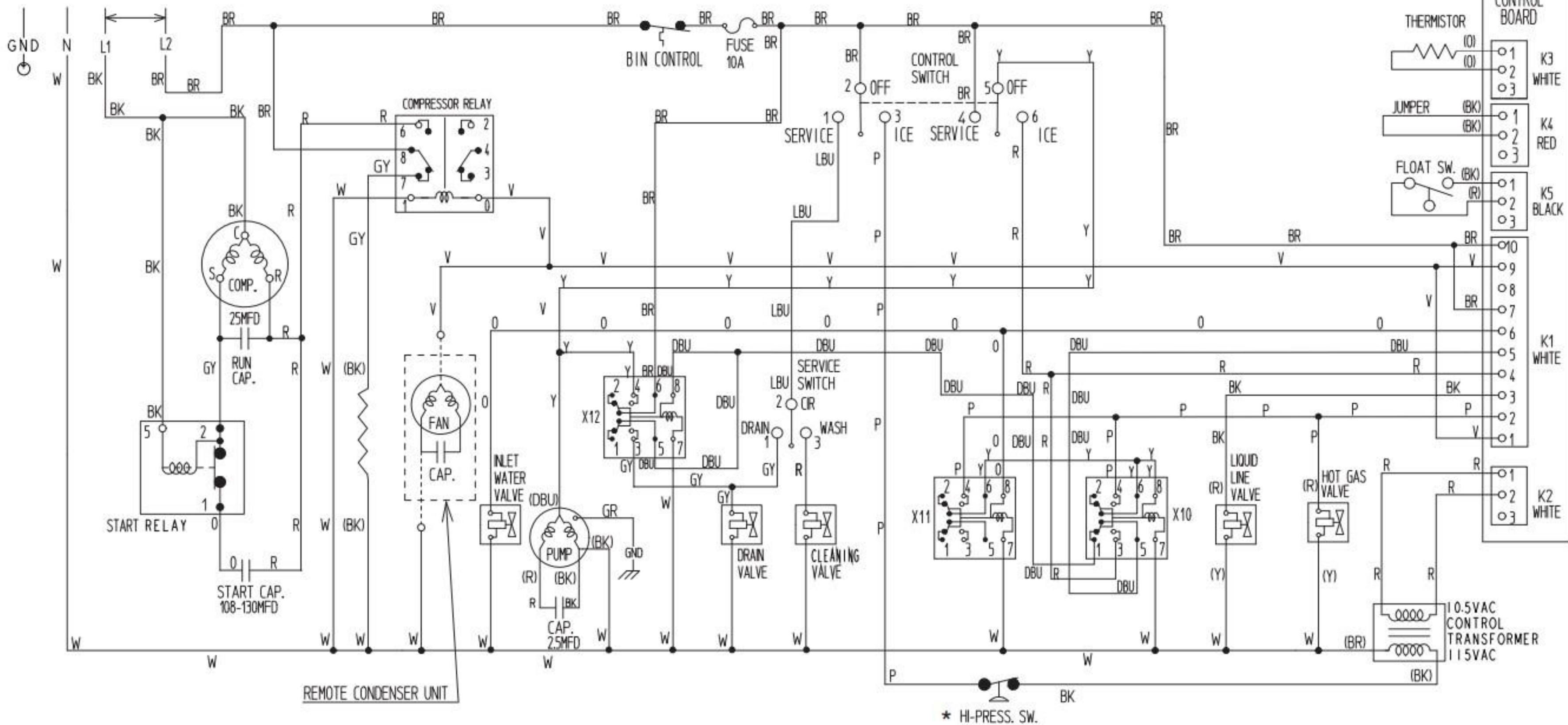
S5 DIP SWITCH SETTINGS

MODEL	1	2	3	4	5
KML-631MRH	OFF	OFF	OFF	OFF	OFF

X10	PUMP MOTOR RELAY
X11	INLET WATER VALVE RELAY
X12	SERVICE RELAY
X13	CRANKCASE HEATER RELAY

* High-Pressure Switch

Remote Air-Cooled Model	
Cut-out	412 \pm 21.3 PSIG
Cut-in	327 \pm 21.3 PSIG



REMOTE CONDENSER UNIT

* HI-PRESS. SW.

WIRE COLOR CODE

BK	BLACK	R	RED
BR	BROWN	V	VIOLET
DBU	DARK BLUE	W	WHITE
GR	GREEN	Y	YELLOW
GY	GRAY	W/BK	WHITE/BLACK
LBU	LIGHT BLUE	W/BR	WHITE/BROWN
O	ORANGE	W/BU	WHITE/BLUE
P	PINK	W/O	WHITE/ORANGE
		W/R	WHITE/RED

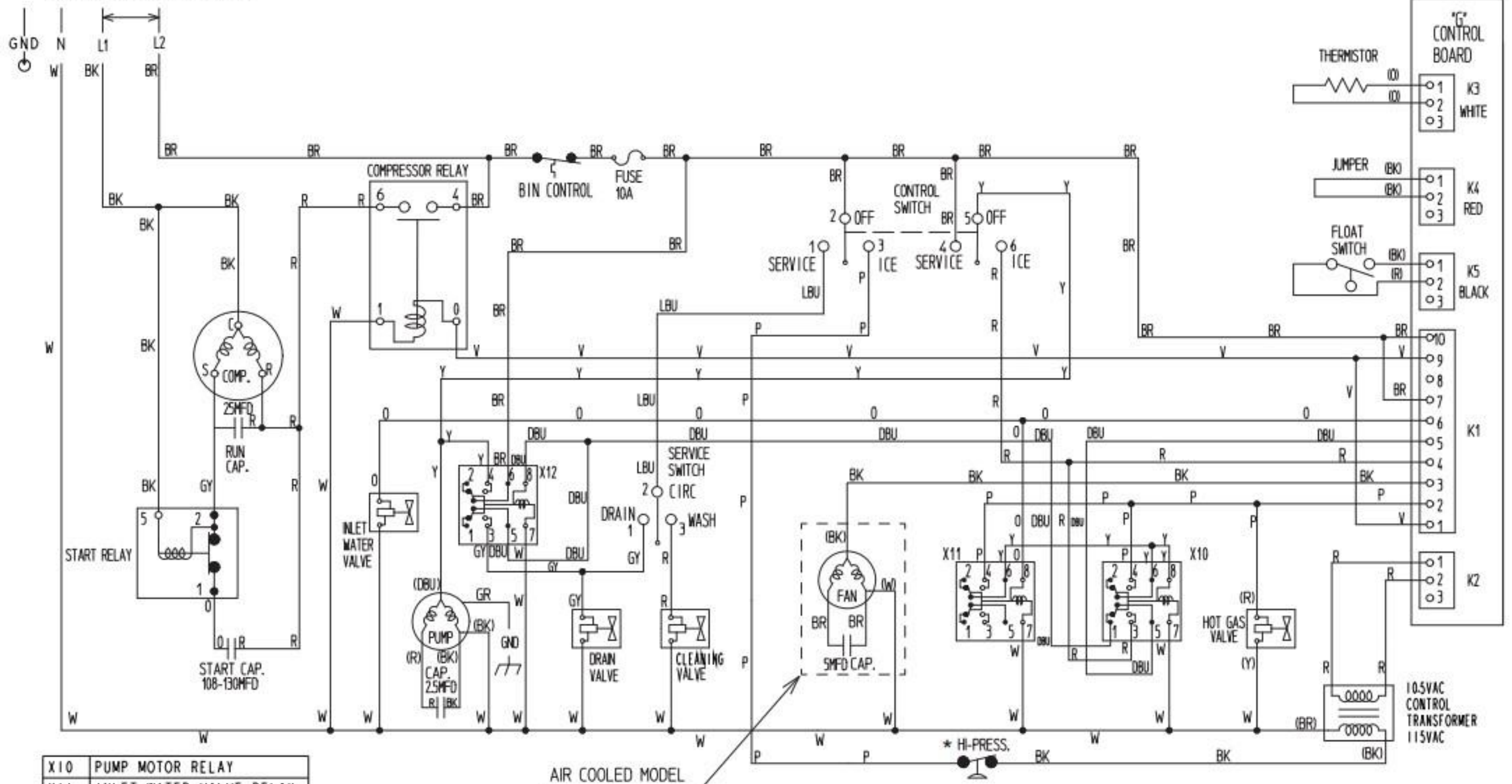
S4 DIP SWITCH SETTINGS										
MODEL	1	2	3	4	5	6	7	8	9	10
KML-631MRH	OFF	OFF	OFF	OFF	ON	ON	ON	OFF	OFF	ON

S5 DIP SWITCH SETTINGS					
MODEL	1	2	3	4	5
KML-631MRH	OFF	OFF	OFF	OFF	OFF

X10	PUMP MOTOR RELAY
X11	INLET WATER VALVE RELAY
X12	SERVICE RELAY

* High-Pressure Switch	
Remote Air-Cooled Model	
Cut-out	412 ± 21.3 PSIG
Cut-in	327 ± 21.3 PSIG

208-230/60/1 (3 WIRE WITH NEUTRAL)

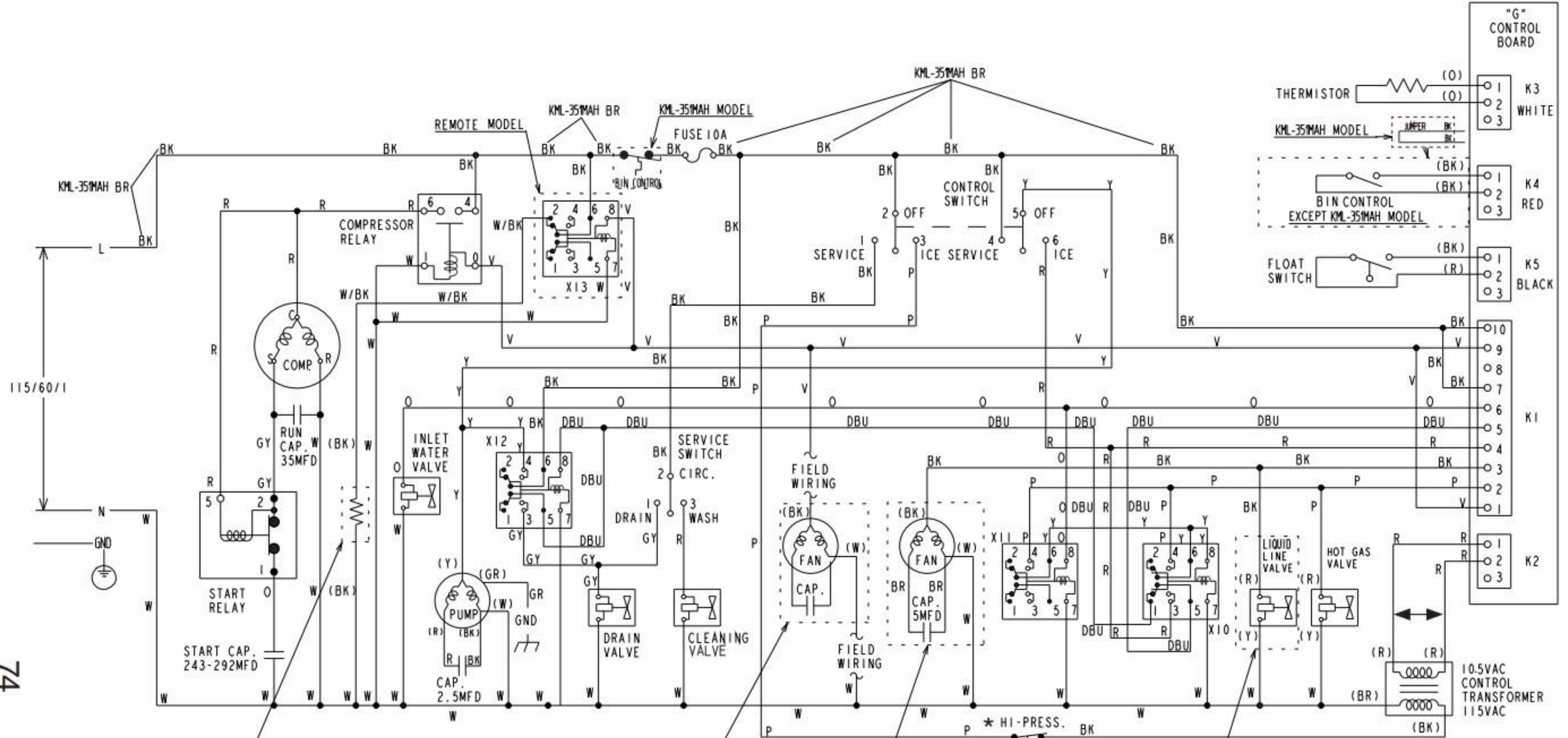


X10	PUMP MOTOR RELAY
X11	INLET WATER VALVE RELAY
X12	SERVICE RELAY

S4 DIP SWITCH SETTING										
MODEL	1	2	3	4	5	6	7	8	9	10
KML-631MAH	OFF	OFF	OFF	OFF	ON	ON	ON	OFF	OFF	ON
KML-631MWH	OFF	OFF	OFF	OFF	ON	ON	ON	OFF	OFF	ON

S5 DIP SWITCH SETTING					
MODEL	1	2	3	4	5
KML-631MAH	OFF	OFF	OFF	OFF	OFF
KML-631MWH	OFF	OFF	OFF	OFF	OFF

* High-Pressure Switch		
	Air-Cooled Model	Water-Cooled Model
Cut-out	412± ^{21.3} ₀ PSIG	384± ^{21.3} ₀ PSIG
Cut-in	327±21.3 PSIG	284±21.3 PSIG



74

S4 DIP SWITCH SETTING

MODEL	1	2	3	4	5	6	7	8	9	10
KML-351MAH	OFF	OFF	OFF	OFF	OFF	OFF	ON	OFF	OFF	ON
KMD-460MAH	OFF	OFF	OFF	OFF	ON	ON	ON	OFF	OFF	OFF
KMD-460MWH	OFF	OFF	OFF	OFF	ON	ON	ON	OFF	OFF	OFF
KMD-530MAH	OFF	OFF	OFF	OFF	ON	ON	ON	OFF	OFF	OFF
KMD-530MRH	OFF	OFF	OFF	OFF	ON	ON	ON	OFF	OFF	OFF
KMD-530MWH	OFF	OFF	OFF	OFF	ON	ON	ON	OFF	OFF	OFF

S5 DIP SWITCH SETTING

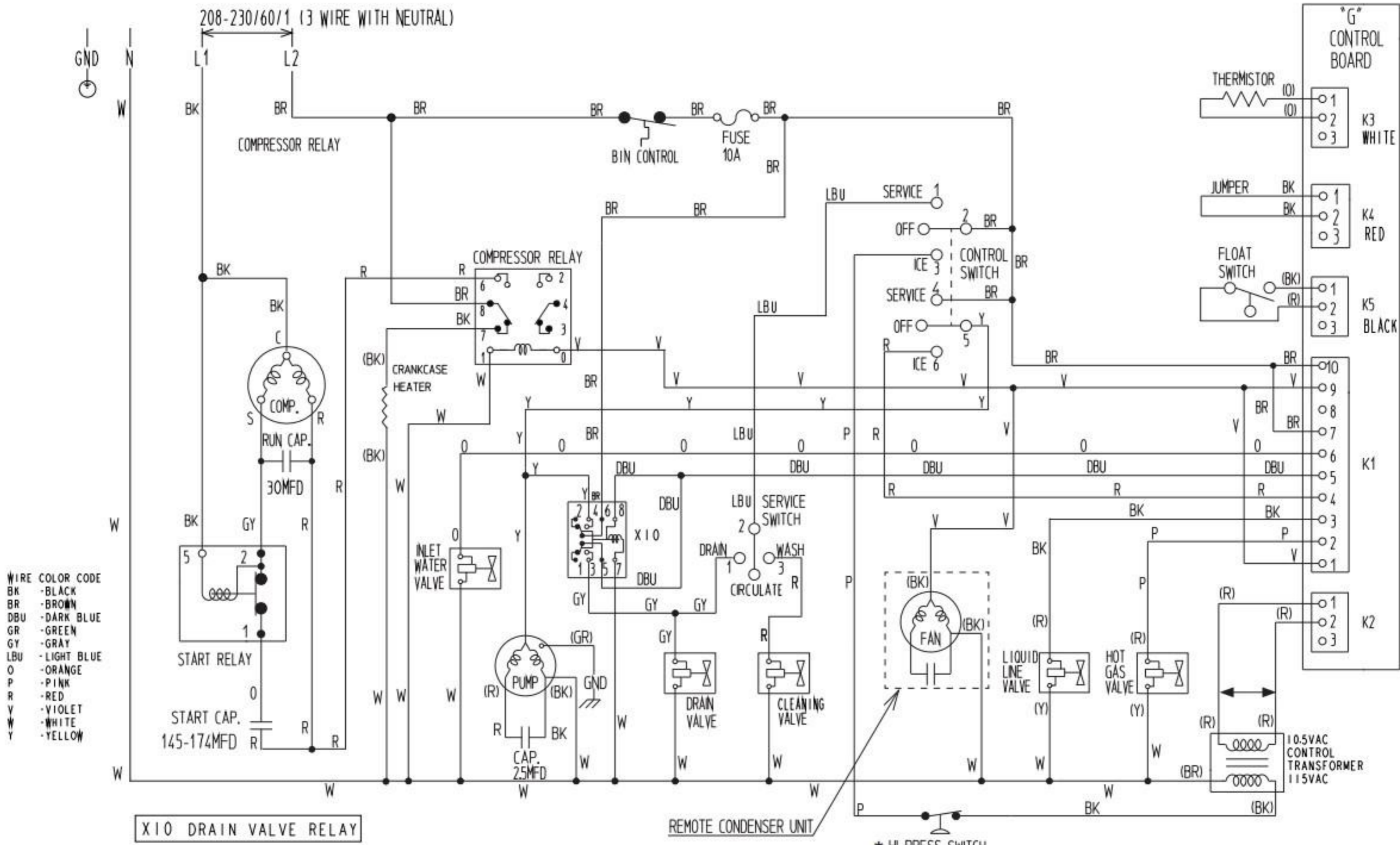
MODEL	1	2	3	4	5
ALL	OFF	OFF	OFF	OFF	OFF

X10 PUMP MOTOR RELAY

X10	PUMP MOTOR RELAY
X11	INLET WATER VALVE RELAY
X12	SERVICE RELAY
X13	CRANKCASE HEATER RELAY

WIRE COLOR CODE

- BK BLACK
- BR BROWN
- DBU DARK BLUE
- GR GREEN
- GY GRAY
- LBU LIGHT BLUE
- O ORANGE
- P PINK
- R RED
- V VIOLET
- W WHITE
- Y YELLOW



WIRE COLOR CODE
 BK - BLACK
 BR - BROWN
 DBU - DARK BLUE
 GR - GREEN
 GY - GRAY
 LBU - LIGHT BLUE
 O - ORANGE
 P - PINK
 R - RED
 Y - VIOLET
 W - WHITE
 Y - YELLOW

X10 DRAIN VALVE RELAY

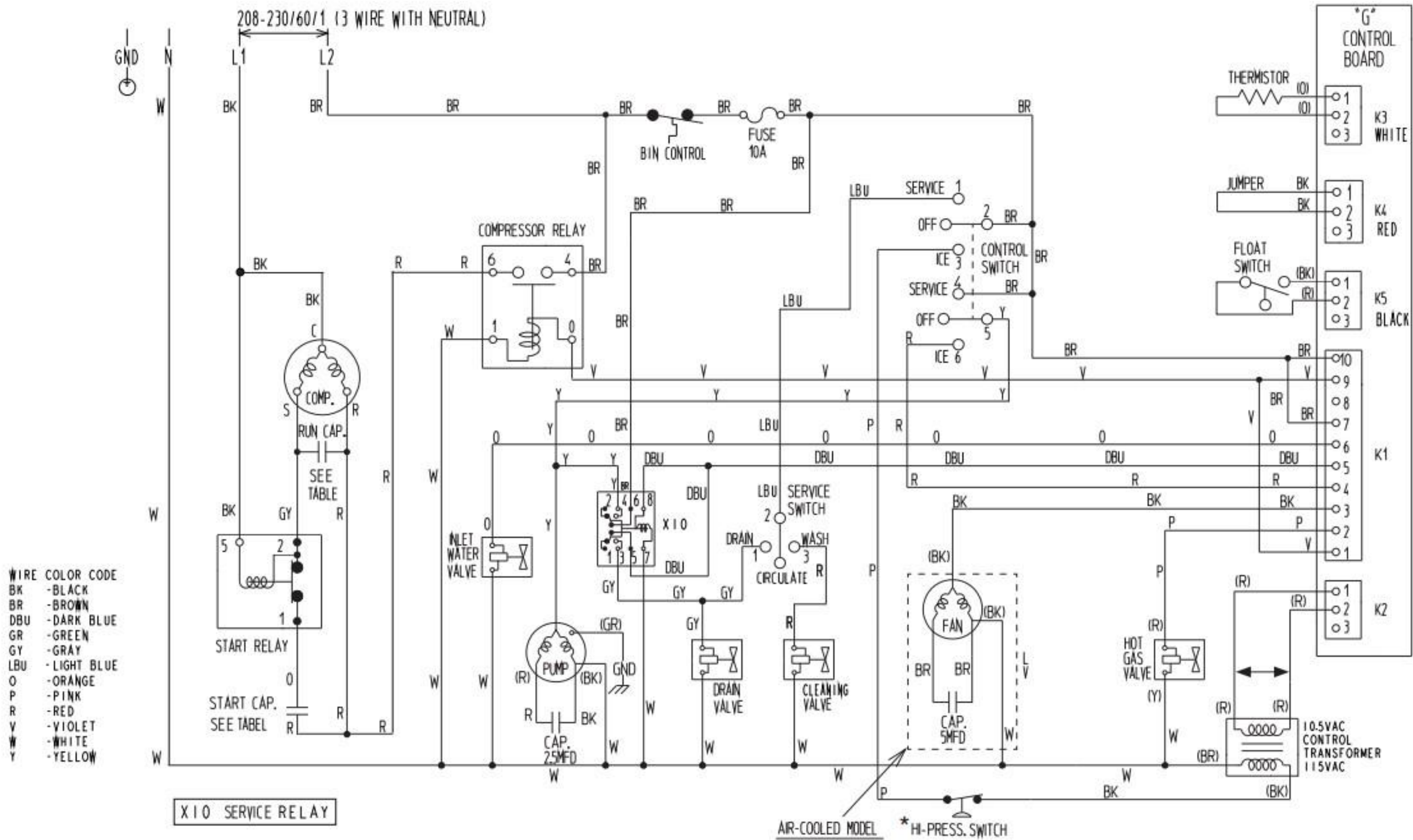
REMOTE CONDENSER UNIT

* HI-PRESS. SWITCH

S4 DIP SWITCH SETTING										
MODEL	1	2	3	4	5	6	7	8	9	10
KML-631MRH	ON	OFF	OFF	OFF	ON	ON	OFF	OFF	OFF	ON

S5 DIP SWITCH SETTING				
1	2	3	4	5
OFF	OFF	OFF	OFF	OFF

* High-Pressure Switch	
Remote Air-Cooled Model	
Cut-out	412 ± 21.3 PSIG
Cut-in	327 ± 21.3 PSIG

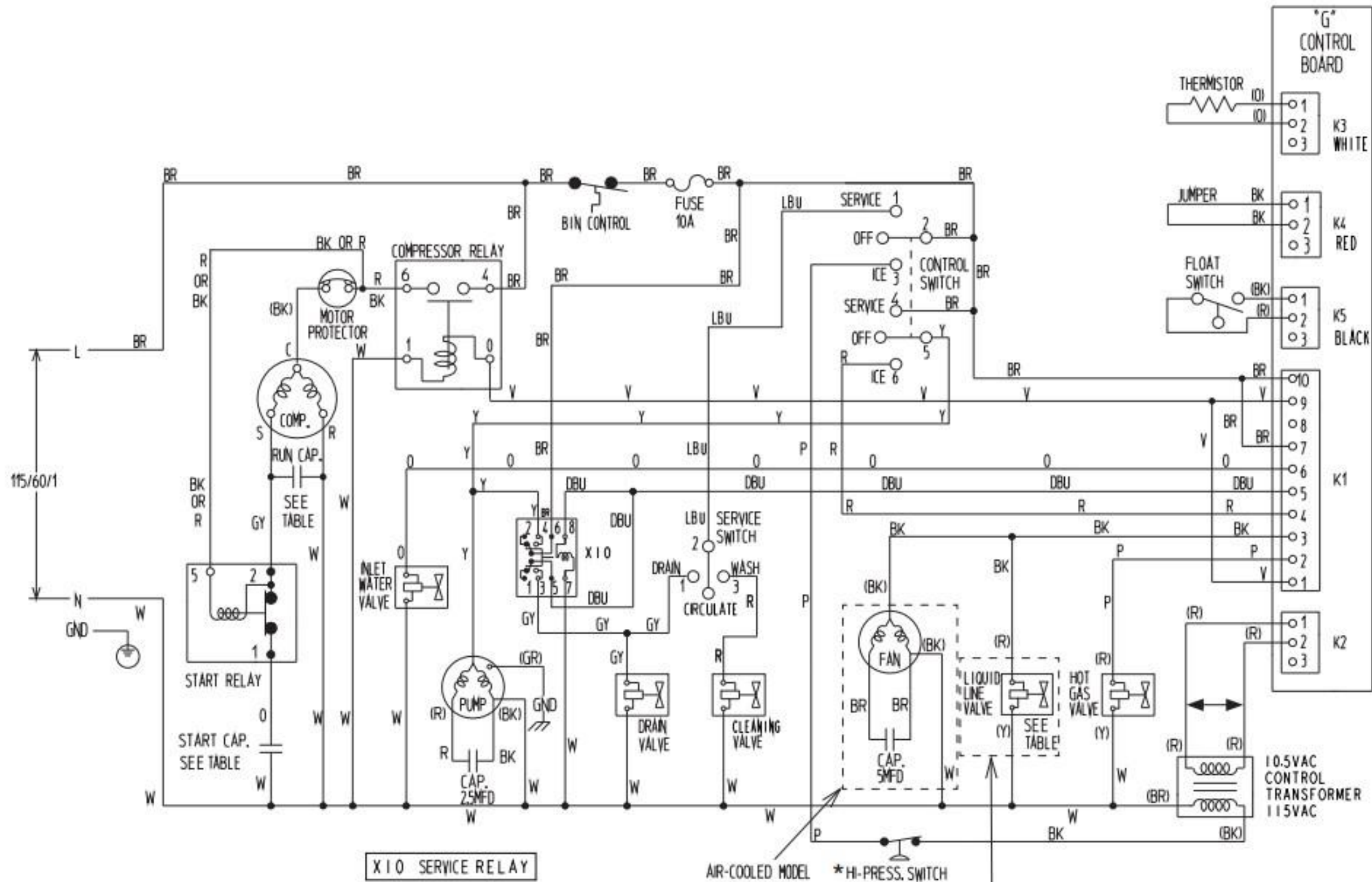


COMP. RUN/START CAP. TABLE			
MODEL	AUX. CODE	RUN CAP.	START CAP.
KML-631MAH	ALL	30MFD	145-174MFD
KML-631MWH			

S4 DIP SWITCH SETTING										
MODEL	1	2	3	4	5	6	7	8	9	10
ALL	ON	OFF	OFF	OFF	ON	ON	OFF	OFF	OFF	ON

S5 DIP SWITCH SETTING					
MODEL	1	2	3	4	5
ALL	OFF	OFF	OFF	OFF	OFF

* High-Pressure Switch		
	Air-Cooled Model	Water-Cooled Model
Cut-out	412± ^{21.3} ₀ PSIG	384± ^{21.3} ₀ PSIG
Cut-in	327±21.3 PSIG	284±21.3 PSIG



WIRE COLOR CODE

BK	-BLACK
BR	-BROWN
DBU	-DARK BLUE
GR	-GREEN
GY	-GRAY
LBU	-LIGHT BLUE
O	-ORANGE
P	-PINK
R	-RED
V	-VIOLET
W	-WHITE
Y	-YELLOW

S4 DIP SWITCH SETTING

MODEL	AUX.CODE	1	2	3	4	5	6	7	8	9	10
KML-250MAH	B-1 and Later	OFF	OFF	OFF	ON	ON	ON	OFF	OFF	ON	OFF
KML-250MWH	B-1 and Later	OFF	OFF	OFF	ON	ON	ON	OFF	OFF	OFF	ON
KML-351MWH	C-1 and Later	ON	OFF	ON	ON	OFF	OFF	OFF	OFF	OFF	ON
KML-451MAH	B-1 and Later	OFF	OFF	OFF	OFF	OFF	OFF	OFF	OFF	OFF	ON
KML-451MWH	B-1 and Later	ON	OFF	OFF	OFF	ON	ON	OFF	OFF	OFF	ON

S5 DIP SWITCH SETTING

MODEL	1	2	3	4	5
KML-250M_H	OFF	OFF	OFF	OFF	OFF
KML-351MWH	OFF	OFF	OFF	OFF	OFF

LIQUID LINE VALVE

MODEL	AUX.CODE
KML-250M_H	ALL
KML-351MWH	

COMP. RUN / START CAP. TABLE

MODEL	AUX.CODE	RUN CAP.	START CAP.
KML-250MAH	ALL	20MFD	72-86MFD
KML-250MWH			
KML-351MWH	SEE PARTS LIST	15MFD, 370VAC	243-292MFD, 115VAC
KML-351MAH			
KML-451MAH	R-0,T-0, T-2,U-0	35MFD, 440 VAC	243-292MFD, 165VAC
KML-451MWH	T-1, U-1 AND LATER		

*High-Pressure Switch

	Air-Cooled Model	Water-Cooled Model
Cut-out	412± ^{21.3} ₀ PSIG	384± ^{21.3} ₀ PSIG
Cut-in	327±21.3 PSIG	284±21.3 PSIG