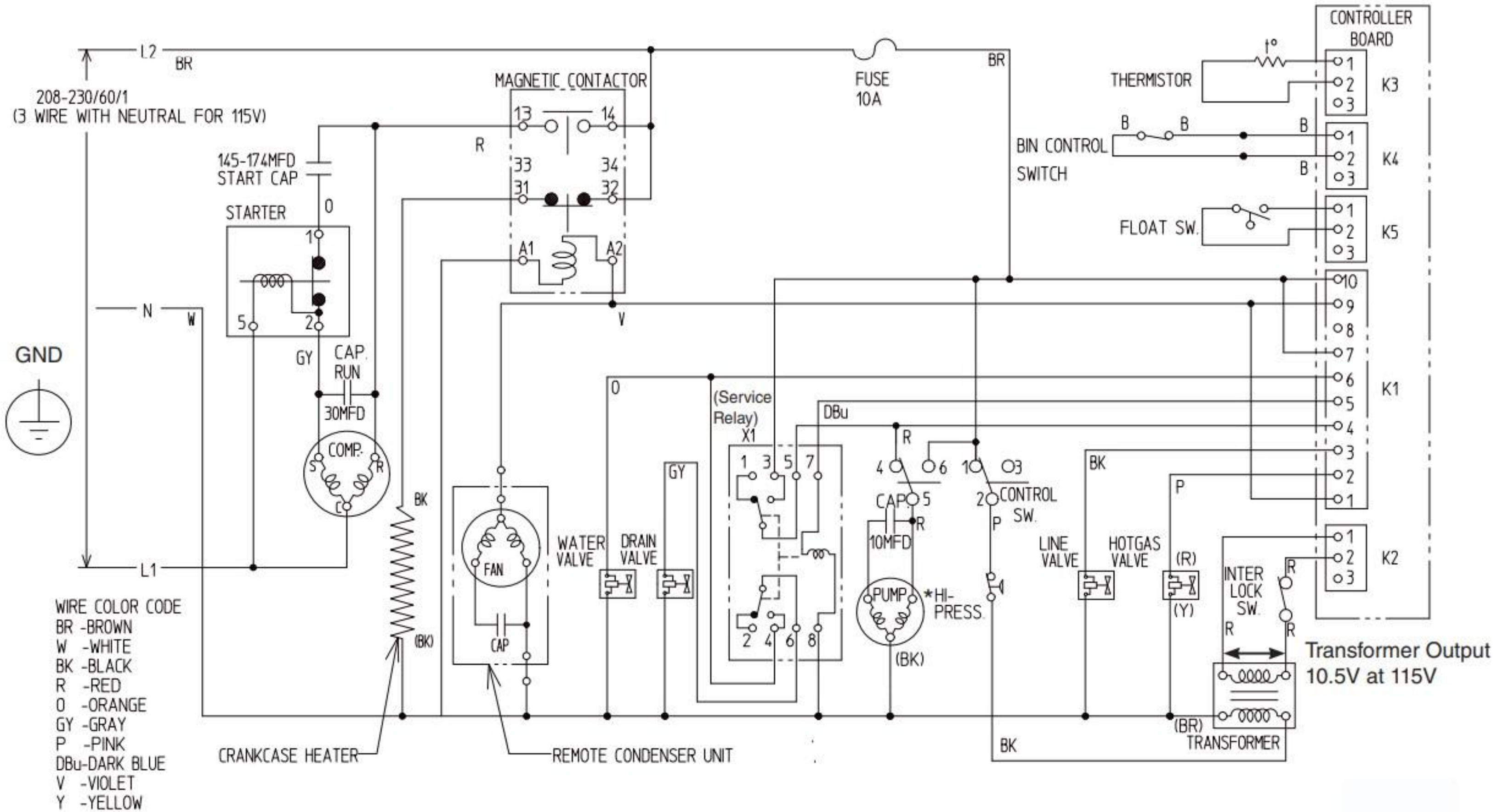
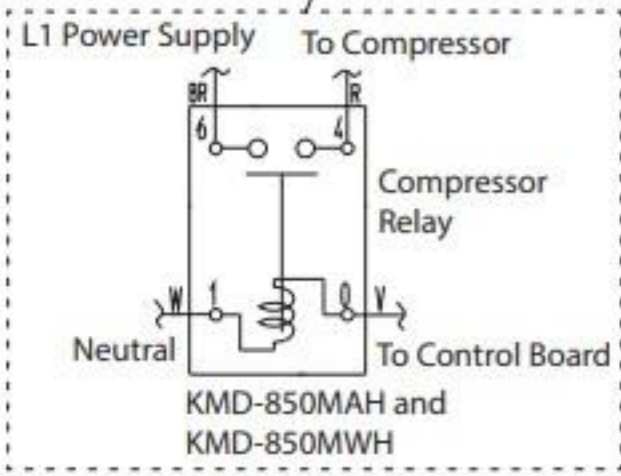
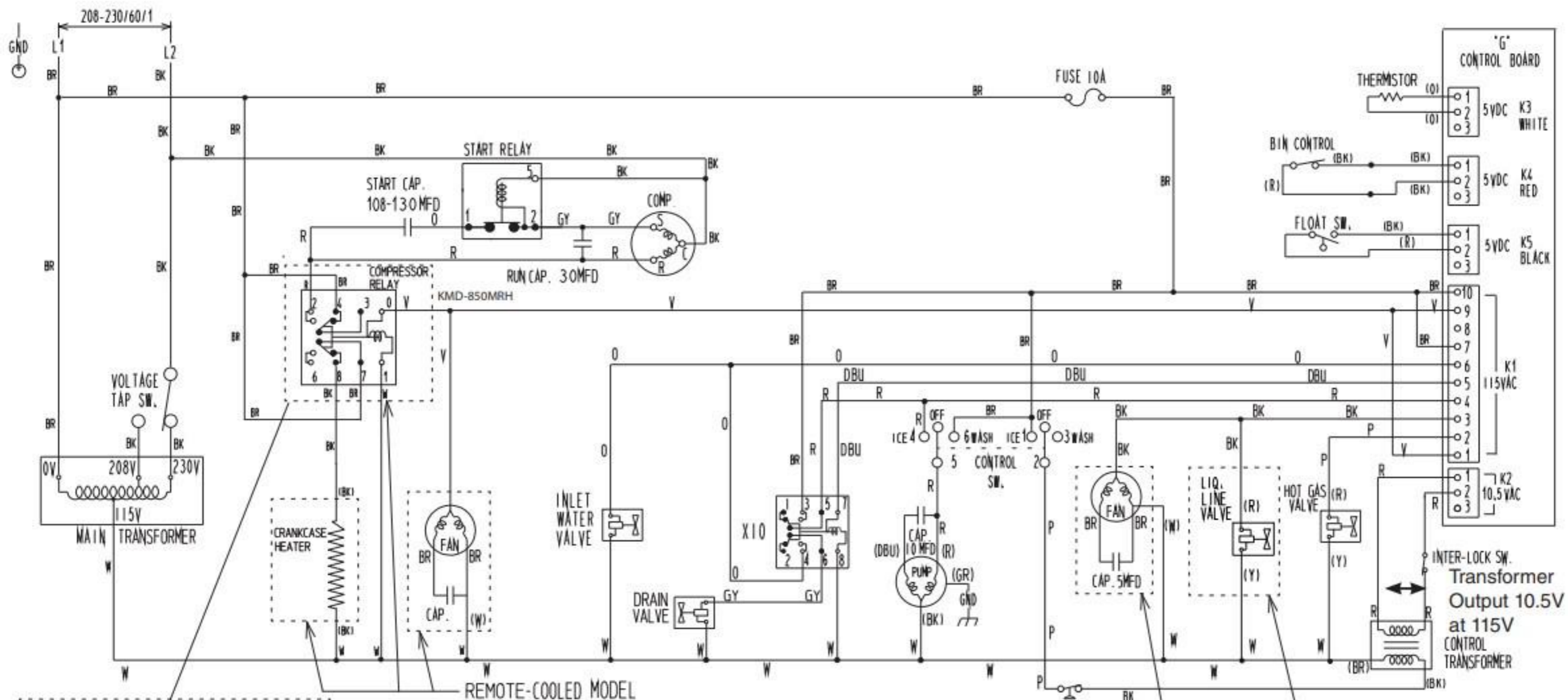


* Pressure Switch		
	Air-Cooled Model	Water-Cooled Model
Cut-out	$412 \pm_{0}^{21.3}$ PSIG	$384 \pm_{0}^{21.3}$ PSIG
Cut-in	$327 \pm 21.3$ PSIG	$284 \pm 21.3$ PSIG



* Pressure Switch	
Cut-out	412 $\pm$ <sub>0</sub> <sup>21.3</sup> PSIG
Cut-in	327 $\pm$ 21.3 PSIG



- WIRE COLOR CODE**
- BK BLACK
  - BR BROWN
  - DBU DARK BLUE
  - GR GREEN
  - GY GRAY
  - O ORANGE
  - P PINK
  - R RED
  - V VIOLET
  - W WHITE
  - Y YELLOW

X10 SERVICE RELAY

**S4 DIP SWITCH SETTINGS**

MODEL	1	2	3	4	5	6	7	8	9	10
KMD-850 MAH										
KMD-850 MWH	OFF	ON	OFF	ON	ON	ON	ON	OFF	OFF	OFF
KMD-850 MRH										

**S5 DIP SWITCH SETTINGS**

MODEL	1	2	3	4	5
KMD-850 MAH					
KMD-850 MWH	OFF	OFF	OFF	OFF	OFF
KMD-850 MRH					

**\* Pressure Switch**

	Air-Cooled Model	Water-Cooled Model	Remote Air-Cooled Model
Cut-out	412± <sup>21.3</sup> <sub>0</sub> PSIG	384± <sup>21.3</sup> <sub>0</sub> PSIG	412± <sup>21.3</sup> <sub>0</sub> PSIG
Cut-in	327±21.3 PSIG	284±21.3 PSIG	327±21.3 PSIG