



HOSHIZAKI

Parts List

Modular Crescent Cuber

Models

KMD-460MAJ

KMD-460MWJ



hoshizakiamerica.com

Number: 71417
Issued: 2-12-2019

CONTENTS

| | |
|--|----|
| Auxiliary Codes..... | 3 |
| Note About Ordering Parts | 4 |
| A. Main Assembly & Refrigeration Circuit | 5 |
| KMD-460MAJ | 5 |
| KMD-460MWJ..... | 7 |
| B. Water Circuit | 9 |
| C. Control Box Assembly | 11 |
| D. Accessories & Labels | 13 |

Auxiliary Codes

KMD-460MAJ

H-0 September 2018

J-0 January 2019

KMD-460MWJ

H-0 September 2018

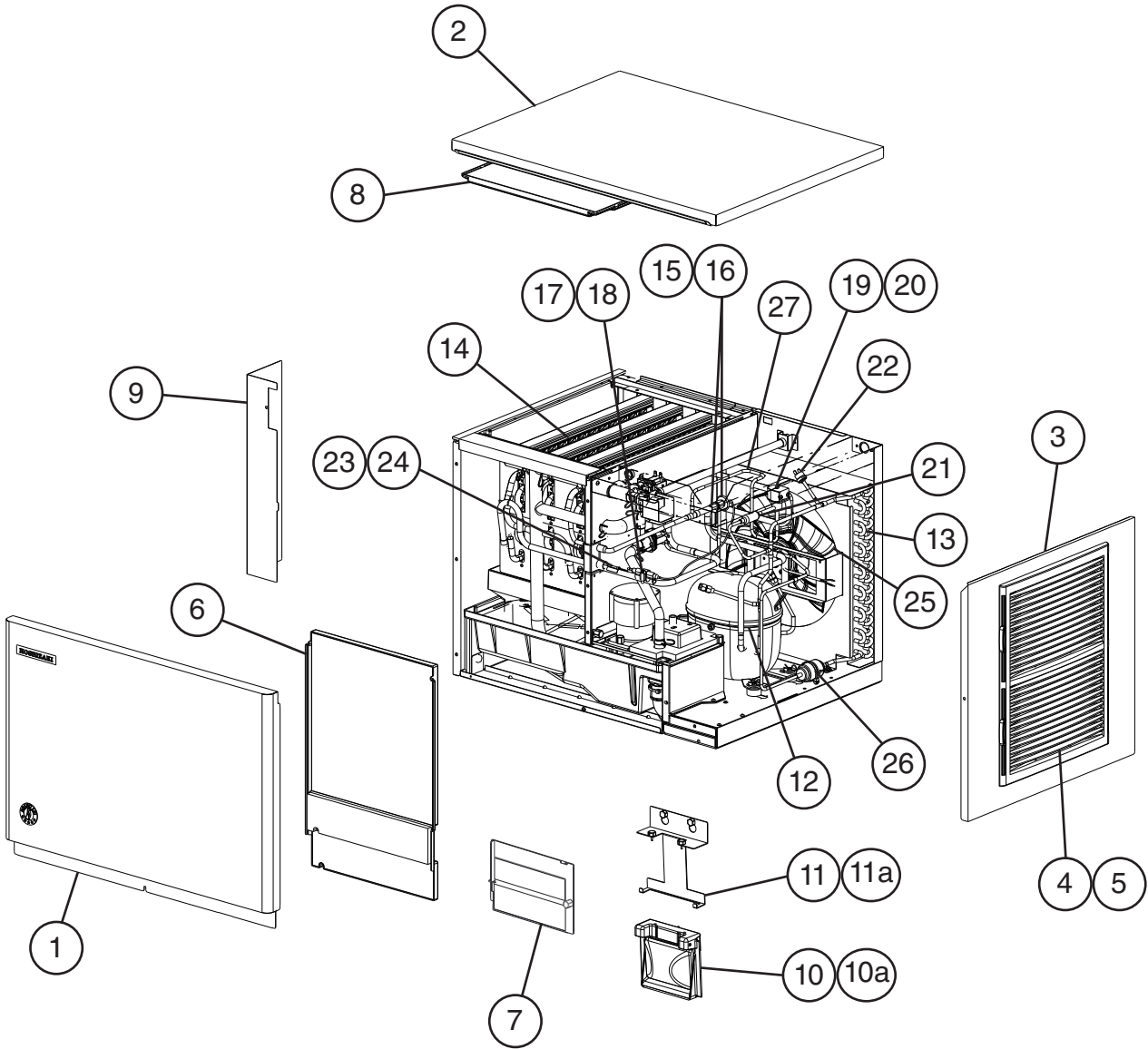
Auxiliary Code Breakdown

The auxiliary code is the first two characters in the serial number. The first character indicates the year. Years progress or regress in alphabetical order. The series runs from "A" through "V" and the letters "I" and "O" are skipped. The second character indicates significant part changes within a year. Base is "0" and this number advances for each change. In cases where there is a letter in parentheses, this designates the month. This is the last character in the serial number. The series runs from "(A)" through "(M)" and the letter "(I)" is skipped. This designation is only included when identifying a parts change within an auxiliary code.

Note About Ordering Parts

Most assemblies cannot be ordered as complete units; parts in the assemblies generally must be ordered separately.

A. Main Assembly & Refrigeration Circuit
KMD-460MAJ
H-0, J-0

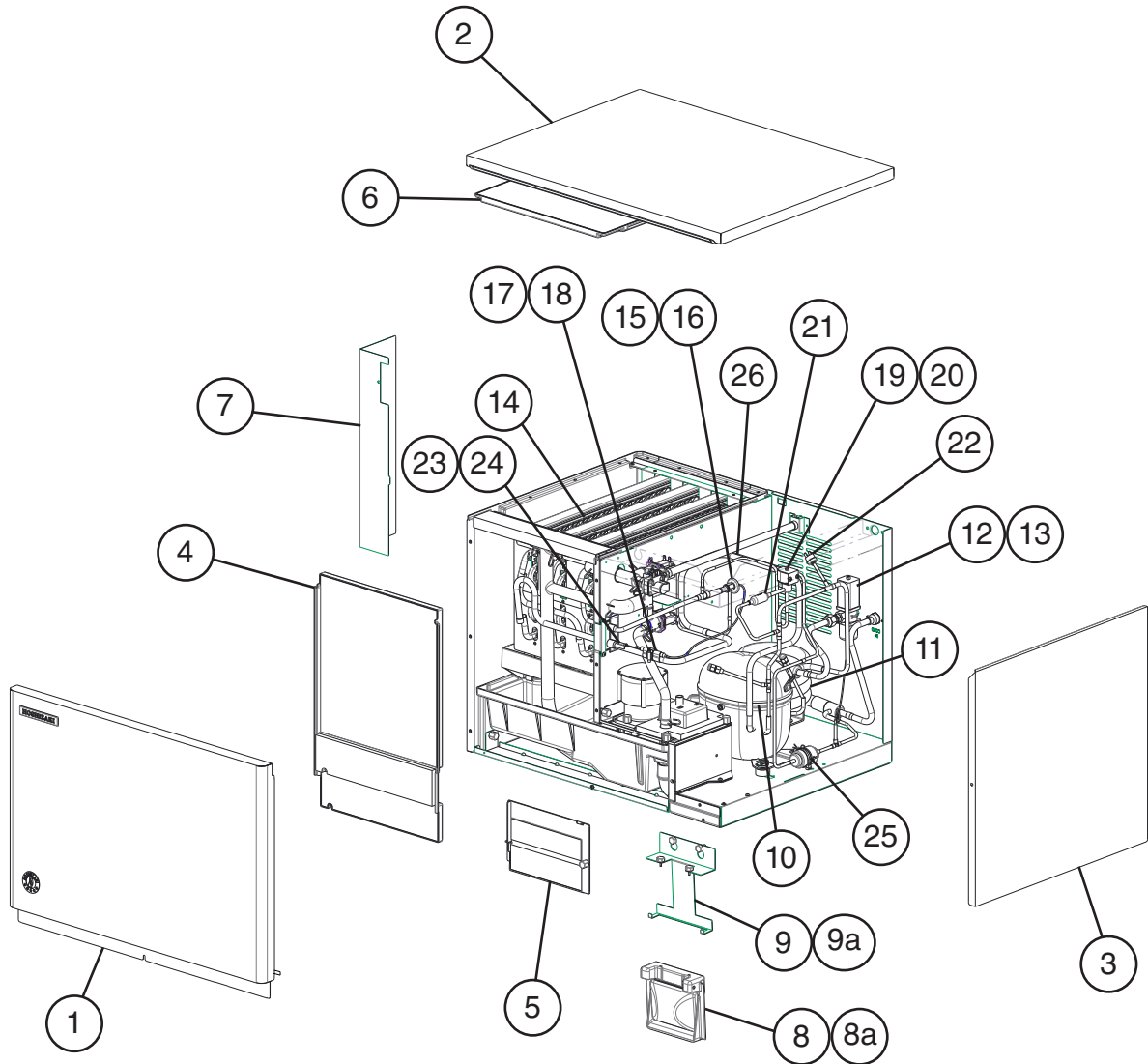


| Title: A. Main Assembly & Refrigeration Circuit Model: KMD-460MAJ | | | | | | | | | | | | | |
|---|-------------------------------------|--------------------------|-------------|-----------------|-----|--|--|--|--|--|--|--|--|
| Index No. | Description | Material or Model Number | Part Number | Required Number | | | | | | | | | |
| | | | | H-0 | J-0 | | | | | | | | |
| Main Assembly | | | | | | | | | | | | | |
| 1 | Front Panel | | 3A9530G01 | 1 | | | | | | | | | |
| 2 | Top Panel | | 3A4373G01 | 1 | | | | | | | | | |
| 3 | Right Side Panel | | 2A4137G01 | 1 | | | | | | | | | |
| 4 | Louver | | 1A1329-01 | 1 | | | | | | | | | |
| 5 | Air Filter | | 2A4128G01 | 2 | | | | | | | | | |
| 6 | Front Insulation A | | 3A5570G01 | 1 | | | | | | | | | |
| 7 | Front Insulation B | | 3A4386G01 | 1 | | | | | | | | | |
| 8 | Top Insulation | | 3A4394G01 | 1 | | | | | | | | | |
| 9 | Control Box Cover | | 3A8289-01 | 1 | | | | | | | | | |
| 10 | Bin Control | | 2A4393G02 | 1 | | | | | | | | | |
| 10a | Thumbscrew | | 415949G10 | 2 | | | | | | | | | |
| 11 | Bin Control Bracket | | 3A8283-01 | 1 | | | | | | | | | |
| 11a | Thumbscrew | | 415949G10 | 2 | | | | | | | | | |
| Refrigeration Circuit | | | | | | | | | | | | | |
| 12 | Compressor | | 4A4479-01 | 1 | | | | | | | | | |
| 13 | Condenser | | 1A1363-01 | 1 | | | | | | | | | |
| 14 | Evaporator | | 2A7811G01 | 1 | | | | | | | | | |
| 15 | Thermostatic Expansion Valve | | 4A1414-01 | 1 | | | | | | | | | |
| 16 | Thermostatic Expansion Valve Cover | | 3A0944-01 | 1 | | | | | | | | | |
| 17 | Thermostatic Expansion Valve Holder | | 3A0107-01 | 1 | | | | | | | | | |
| 18 | Clamp | | 443461-02 | 1 | | | | | | | | | |
| 19 | Hot Gas Valve Body | | 4A3978-01 | 1 | | | | | | | | | |
| 20 | Valve Coil | | 4A3277-01 | 1 | | | | | | | | | |
| 21 | Strainer | | 441569-02 | 1 | | | | | | | | | |
| 22 | High-Pressure Switch | | 463180-04 | 1 | | | | | | | | | |
| 23 | Thermistor | | 429006-03 | 1 | | | | | | | | | |
| 24 | Thermistor Holder | | 427430-01 | 1 | | | | | | | | | |
| 25 | Fan Motor (includes blade) | | P02596-01 | 1 | | | | | | | | | |
| 26 | Drier | | 4A1113-01 | 1 | | | | | | | | | |
| 27 | Heat Exchanger | | 4A6326G01 | 1 | | | | | | | | | |

A. Main Assembly & Refrigeration Circuit

KMD-460MWJ

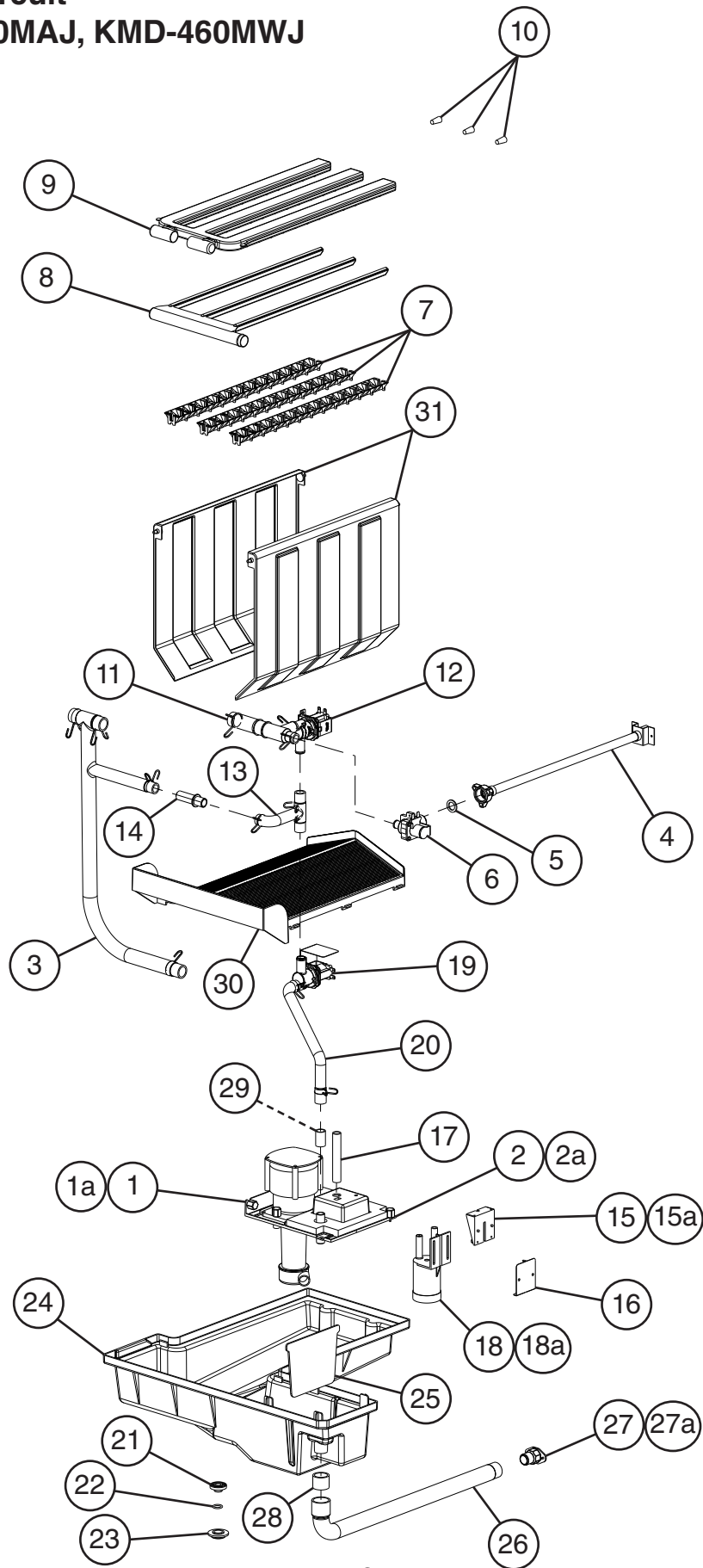
H-0



Title: A. Main Assembly & Refrigeration Circuit Model: KMD-460MWJ

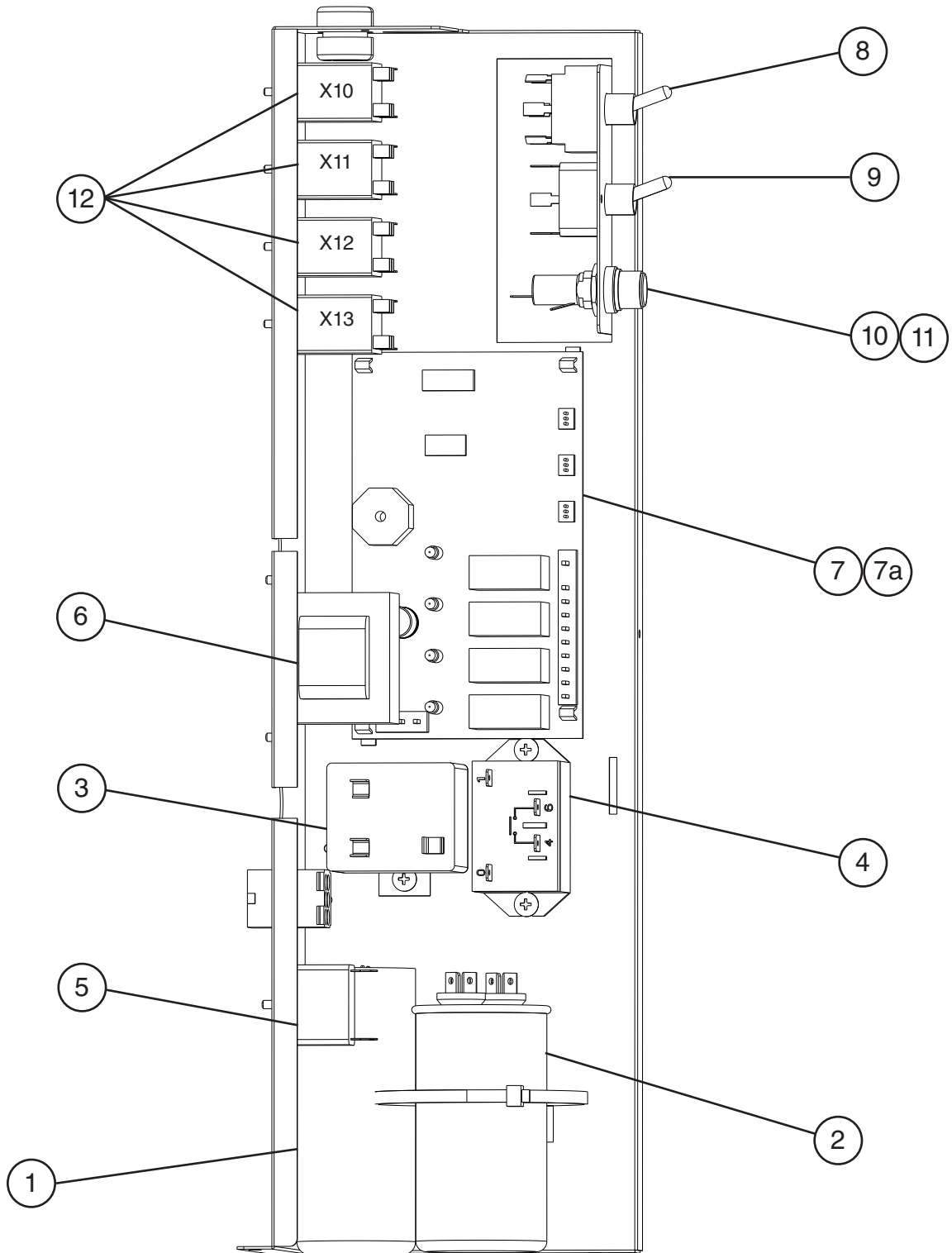
| Index No. | Description | Material or Model Number | Part Number | Required Number | | | | | | | | | |
|------------------------------|-------------------------------------|--------------------------|-------------|-----------------|--|--|--|--|--|--|--|--|--|
| | | | | H-0 | | | | | | | | | |
| Main Assembly | | | | | | | | | | | | | |
| 1 | Front Panel | | 3A9530G01 | 1 | | | | | | | | | |
| 2 | Top Panel | | 3A4373G01 | 1 | | | | | | | | | |
| 3 | Right Side Panel | | 2A4173G01 | 1 | | | | | | | | | |
| 4 | Front Insulation A | | 3A5570G01 | 1 | | | | | | | | | |
| 5 | Front Insulation B | | 3A4386G01 | 1 | | | | | | | | | |
| 6 | Top Insulation | | 3A4394G01 | 1 | | | | | | | | | |
| 7 | Control Box Cover | | 3A8289-01 | 1 | | | | | | | | | |
| 8 | Bin Control | | 2A4393G02 | 1 | | | | | | | | | |
| 8a | Thumbscrew | | 415949G10 | 2 | | | | | | | | | |
| 9 | Bin Control Bracket | | 3A8283-01 | 1 | | | | | | | | | |
| 9a | Thumbscrew | | 415949G10 | 2 | | | | | | | | | |
| Refrigeration Circuit | | | | | | | | | | | | | |
| 10 | Compressor | | 4A4479-01 | 1 | | | | | | | | | |
| 11 | Condenser - Water Cooled | | 3A8514-01 | 1 | | | | | | | | | |
| 12 | Water Regulator | | 4A0911-06 | 1 | | | | | | | | | |
| 13 | Male Connector | | 4A1087-01 | 1 | | | | | | | | | |
| 14 | Evaporator | | 2A7811G01 | 1 | | | | | | | | | |
| 15 | Thermostatic Expansion Valve | | 4A1414-01 | 1 | | | | | | | | | |
| 16 | Thermostatic Expansion Valve Cover | | 3A0944-01 | 1 | | | | | | | | | |
| 17 | Thermostatic Expansion Valve Holder | | 3A0107-01 | 1 | | | | | | | | | |
| 18 | Clamp | | 443461-02 | 1 | | | | | | | | | |
| 19 | Hot Gas Valve Body | | 4A3978-01 | 1 | | | | | | | | | |
| 20 | Valve Coil | | 4A3277-01 | 1 | | | | | | | | | |
| 21 | Strainer | | 441569-02 | 1 | | | | | | | | | |
| 22 | High-Pressure Switch | | 463180-05 | 1 | | | | | | | | | |
| 23 | Thermistor | | 429006-03 | 1 | | | | | | | | | |
| 24 | Thermistor Holder | | 427430-01 | 1 | | | | | | | | | |
| 25 | Drier | | 4A1113-01 | 1 | | | | | | | | | |
| 26 | Heat Exchanger | | 1A5318G01 | 1 | | | | | | | | | |

B. Water Circuit
KMD-460MAJ, KMD-460MWJ
H-0, J-0



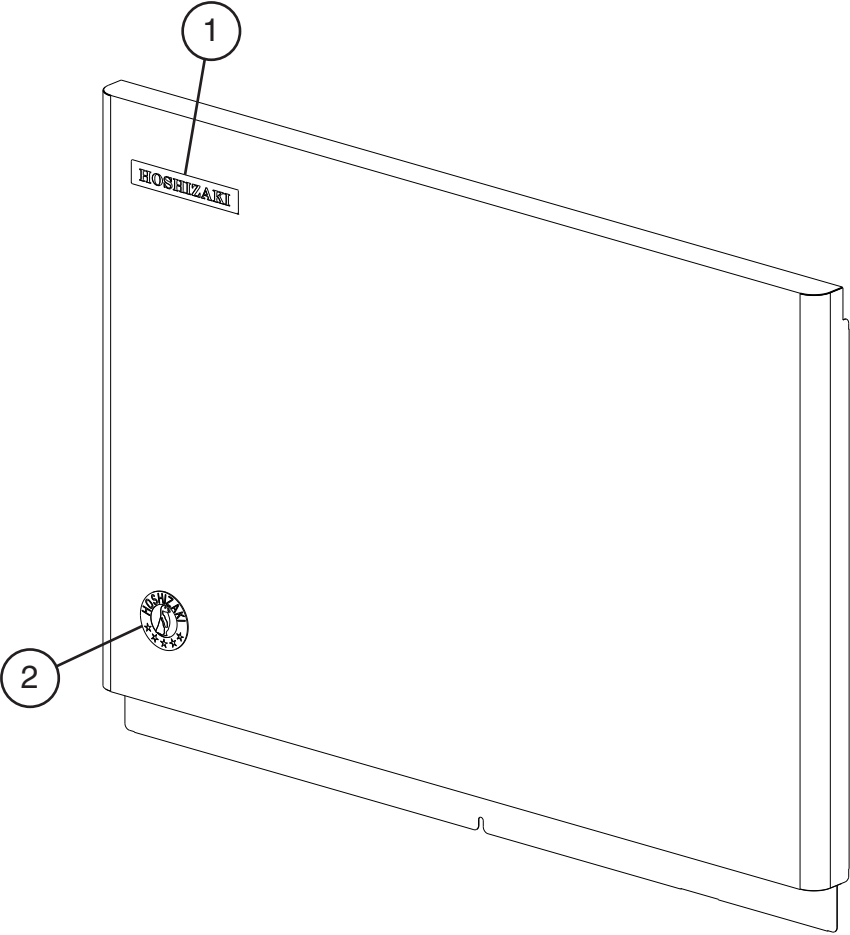
| Title: B. Water Circuit Model: KMD-460MAJ, KMD-460MWJ | | | | | | | | | | | | |
|---|------------------------|--------------------------|-------------|-----------------|-----|--|--|--|--|--|--|--|
| Index No. | Description | Material or Model Number | Part Number | Required Number | | | | | | | | |
| | | | | H-0 | J-0 | | | | | | | |
| 1 | Pump Motor | | 4A4259-01 | 1 | 1 | | | | | | | |
| 1a | Thumbscrew | | 415949G12 | 1 | 1 | | | | | | | |
| 2 | Pump Motor Bracket | | 1A1341G01 | 1 | 1 | | | | | | | |
| 2a | Thumbscrew | | 415949G12 | 2 | 2 | | | | | | | |
| 3 | Pump Hose | | 4A5685-01 | 1 | 1 | | | | | | | |
| 4 | Water Supply Pipe | | 4A5089L01 | 1 | 1 | | | | | | | |
| 5 | Rubber Gasket | | 413854-03 | 1 | 1 | | | | | | | |
| 6 | Inlet Water Valve | | 3U0111-03 | 1 | 1 | | | | | | | |
| 7 | Spray Guide | | 2A4282-04 | 3 | 3 | | | | | | | |
| 8 | Water Supply Tube | | 2A4132-01 | 1 | 1 | | | | | | | |
| 9 | Spray Tube | | 2A4133-01 | 1 | 1 | | | | | | | |
| 10 | Plug | | 4A0176-01 | 3 | 3 | | | | | | | |
| 11 | Water Valve Hose (tee) | | 3A4366-01 | 1 | 1 | | | | | | | |
| 12 | Water Valve (Cleaning) | | 4A5745-01 | 1 | 1 | | | | | | | |
| 13 | Bypass Hose (tee) | | 4A5687-01 | 1 | 1 | | | | | | | |
| 14 | Evaporator Pipe | | 4A3765-02 | 1 | 1 | | | | | | | |
| 15 | Float Switch Bracket | | 327757-02 | 1 | 1 | | | | | | | |
| 15a | T2 Screw | 4x12 | 7P32-0412 | 1 | 1 | | | | | | | |
| 16 | Float Switch Stop | | 4A6399-01 | 1 | 1 | | | | | | | |
| 17 | Vinyl Hose | 40mm | 7716-1216 | 1 | 1 | | | | | | | |
| 18 | Float Switch | | 4A3624-01 | 1 | 1 | | | | | | | |
| 18a | T2 Screw | | 7P32-0412 | 2 | 2 | | | | | | | |
| 19 | Water Valve (Drain) | | 4A5745-03 | 1 | 1 | | | | | | | |
| 20 | Drain Hose | | 4A5688-01 | 1 | 1 | | | | | | | |
| 21 | Drain Plug | | 309246-01 | 1 | 1 | | | | | | | |
| 22 | O-Ring | | 7611-P015 | 1 | 1 | | | | | | | |
| 23 | Drain Nut | | 415619-01 | 1 | 1 | | | | | | | |
| 24 | Tank | | 3A8316G01 | 1 | 1 | | | | | | | |
| 25 | Tank Separator | | 4A4239-01 | 1 | 1 | | | | | | | |
| 26 | Tank Drain Hose | | 4A5684-01 | 1 | 1 | | | | | | | |
| 27 | Drain Fitting | | 4A5528-01 | 1 | 1 | | | | | | | |
| 27a | T2 Screw | 4x8 | 7P32-0408 | 2 | 2 | | | | | | | |
| 28 | Vinyl Hose | 25mm | 4A0658L01 | 1 | 1 | | | | | | | |
| 29 | Vinyl Hose | | 7716-1519 | 1 | 1 | | | | | | | |
| 30 | Cube Guide | | 1A1336-01 | 1 | 1 | | | | | | | |
| 31 | Splash Curtain | | 2A7452G01 | 2 | 2 | | | | | | | |
| Hose Clamps | | | | | | | | | | | | |
| | Hose Clamp | 25 mm | 427443-03 | 4 | 4 | | | | | | | |
| | Hose Clamp | 18 mm | 427443-05 | 2 | 2 | | | | | | | |
| | Hose Clamp | 20 mm | 427443-06 | 6 | 6 | | | | | | | |

C. Control Box Assembly
KMD-460MAJ, KMD-460MWJ
H-0, J-0



| Title: C. Control Box Assembly Model: KMD-460MAJ, KMD-460MWJ | | | | | | | | | | | | | |
|--|---|--------------------------|-------------|-----------------|-----|--|--|--|--|--|--|--|--|
| Index No. | Description | Material or Model Number | Part Number | Required Number | | | | | | | | | |
| | | | | H-0 | J-0 | | | | | | | | |
| 1 | Start Capacitor | 243-292MFD, 165VAC | 3A0076-20 | 1 | | | | | | | | | |
| 2 | Run Capacitor | 30MFD, 370VAC | 3A2005-12 | 1 | | | | | | | | | |
| 3 | Start Relay | | 4A1107-11 | 1 | | | | | | | | | |
| 4 | Compressor Relay | | 4A3140-01 | 1 | | | | | | | | | |
| 5 | Pump Motor Capacitor | 2.5MFD, 250VAC | 4A2128-05 | 1 | | | | | | | | | |
| 6 | Control Transformer | | 3A0172-01 | 1 | | | | | | | | | |
| 7 | Control Board | | 2A7664-04 | 1 | | | | | | | | | |
| 7a | Control Board Support | | 4A0336-03 | 4 | | | | | | | | | |
| 8 | Toggle Switch (Control) | | 443119-01 | 1 | | | | | | | | | |
| 9 | Toggle Switch (Service) | | 4A0985-01 | 1 | | | | | | | | | |
| 10 | Fuse Holder | | 4A5443-01 | 1 | | | | | | | | | |
| 11 | Fuse | AGC-10A, 250VAC | 4A0893-07 | 1 | | | | | | | | | |
| 12 | Relay (X10 - Pump Motor Relay X11 - Control Relay X12 - Pump Motor Relay X13 - Service Relay) | | 406132-07 | 4 | | | | | | | | | |

D. Accessories & Labels
KMD-460MAJ, KMD-460MWJ
H-0, J-0



| Title: D. Accessories & Labels Model: KMD-460MAJ, KMD-460MWJ | | | | | | | | | | | |
|---|-----------------|--------------------------|---------------------------|-----------------|-----|--|--|--|--|--|--|
| Index No. | Description | Material or Model Number | Part Number | Required Number | | | | | | | |
| | | | | H-0 | J-0 | | | | | | |
| 1 | Emblem | | 4A0560-01 | 1 | | | | | | | |
| 2 | Penguin Label | | 475552L02 | 1 | | | | | | | |
| 3 | Universal Brace | | 4A0363-01 | 2 | | | | | | | |
| 3a | Hex Bolt | 5x12, SS | 7B02-0512 | 2 | | | | | | | |