



HOSHIZAKI

Parts List

Crescent Cuber

Model
KM-80BAJ



hoshizakiamerica.com

Number: F116-4275
Issued: 11-2019

Auxiliary Codes

KM-80BAJ G-1 April 2017

Auxiliary Code Breakdown

The auxiliary code is the first two characters in the serial number. The first character indicates the year. Years progress or regress in alphabetical order. The series runs from "A" through "V" and the letters "I" and "O" are skipped. The second character indicates significant part changes within a year. Base is "0" and this number advances for each change. In cases where there is a letter in parentheses, this designates the month. This is the last character in the serial number. The series runs from "(A)" through "(M)" and the letter "(I)" is skipped. This designation is only included when identifying a parts change within an auxiliary code.

Note About Ordering Parts

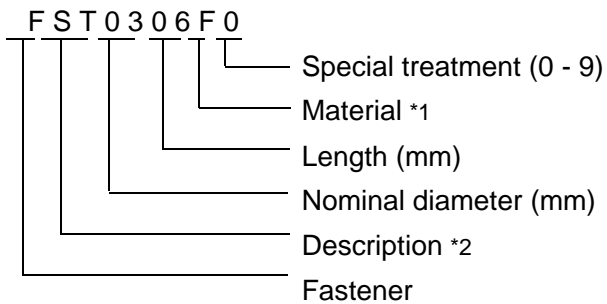
Most assemblies cannot be ordered as complete units; parts in the assemblies generally must be ordered separately.

MARKS LOCATED UNDER THE AUXILIARY CODE

- = Part deleted.

FASTENER PART NUMBER

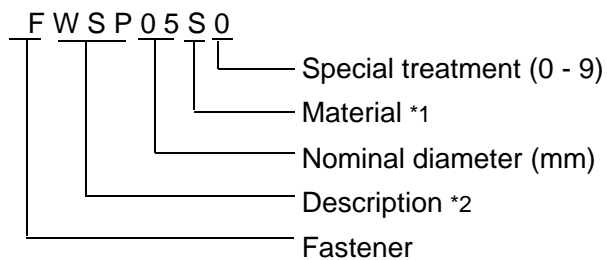
SCREWS



*₁

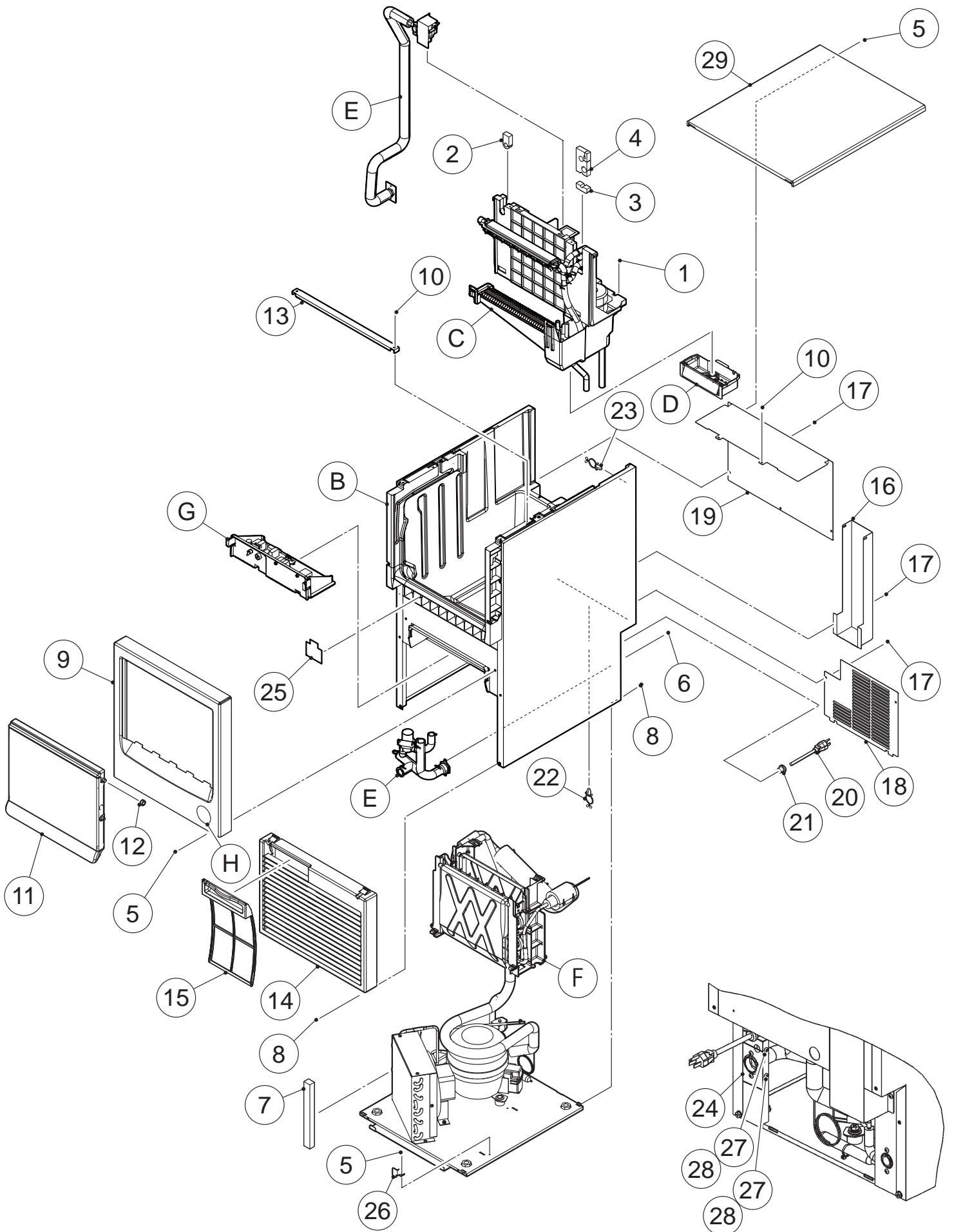
F: Steel
S: Austenitic stainless steel
M: Martensitic stainless steel
B: Copper alloy
P: Polycarbonate
N: Polyamide
V: PVC
A: ABS
X: Polyacetal
L: Aluminum

NUTS & WASHERS



*₂

First letter
S: Machine screw
T: Tapping screw
M: Wood screw
B: Bolt
W: Washer
N: Nut

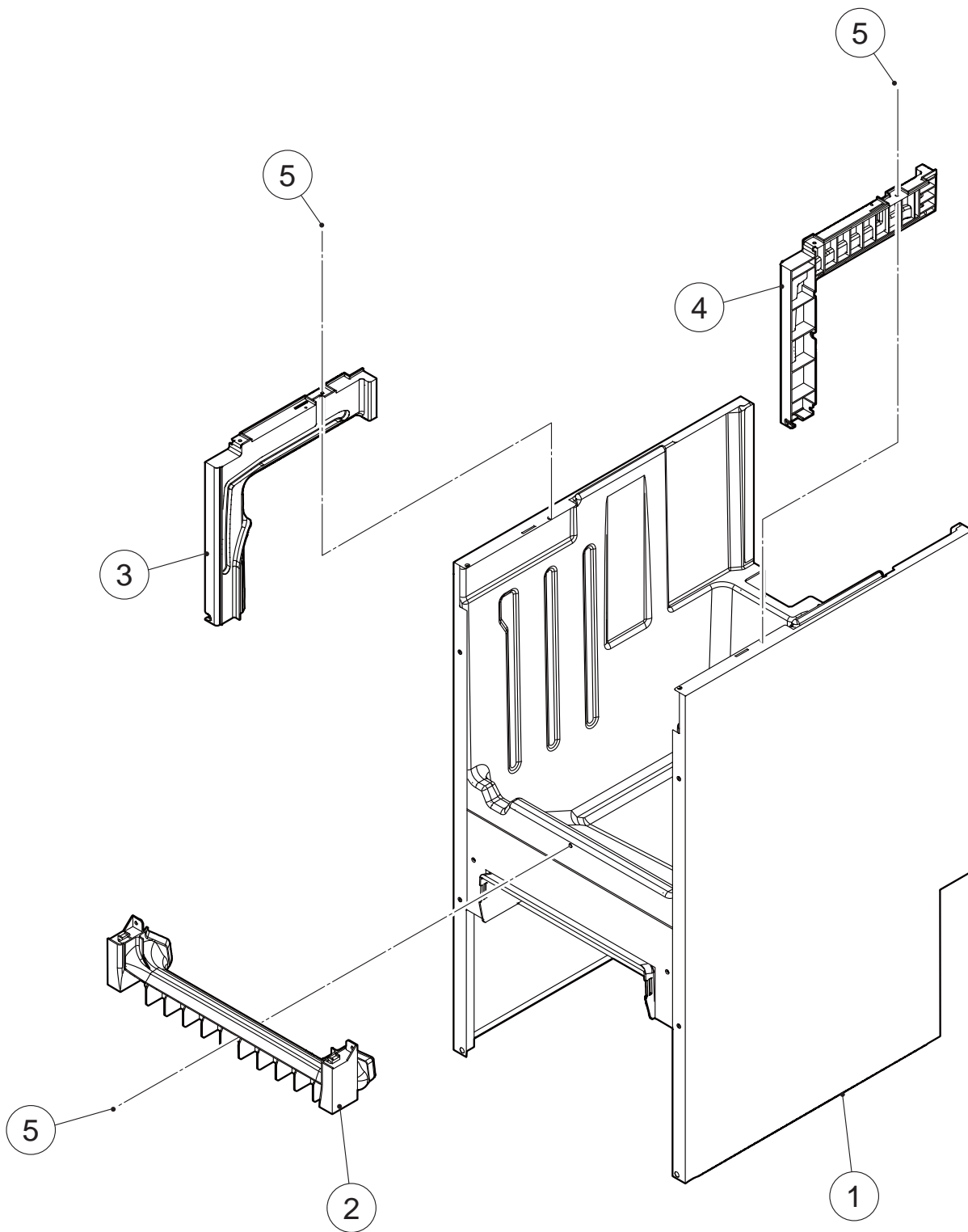


HA

MODEL: KM-80BAJ		TITLE: A. ICE CUBER ASSY					
INDEX NO.	DESCRIPTION	MATERIAL OR MODEL NUMBER	PART NUMBER	REQ'D NUMBER			
				G-1			
B	BODY		124957A01	1			
C	ICE MAKING MECHANISM		124963A01	1			
D	MECHANICAL BIN SWITCH		371148A01	1			
E	WATER CIRCUIT ASSY		270897A01	1			
F	REFRIGERATION CIRCUIT		124961A01	1			
G	CONTROL BOX ASSY		252005A07	1			
H	LABEL LOCATION		270889A01	1			
J	ACCESSORIES		A03347-01	1			
1	TRUSS HEAD TAPPING SCREW T2		FT20412M0	2			
2	GROMMET/PIPE(C)	SANTOPRENE	470311-01	1			
3	GROMMET/PIPE(B)	SANTOPRENE	470310-01	1			
4	GROMMET/PIPE(A)	SANTOPRENE	470309-01	1			
5	T2 TRUSS HEAD SCREW		FT20408M0	8			
6	T2 TRUSS HEAD SCREW		FT20410M0	4			
7	AIR GUARD		470302-01	1			
8	HEX. TAPPING SCREW W - FLANGE		P01572-01	4			
9	FRONT PANEL		384416G01	1			
10	TRUSS HEAD TAPPING SCREW T2		FT20410S0	6			
11	DOOR	Replace together with 4 pieces of No.12 COLLAR	369051G02	1			
12	COLLAR		481481P02	4			
13	BRACE - RAIL		482685M01	1			
14	LOUVER		117636-01	1			
15	AIR FILTER		250728G01	1			
16	COVER - PIPE		368305-01	1			
17	T2 TRUSS HEAD SCREW		FT20408F0	6			
18	REAR COVER		368311-01	1			
19	REAR PANEL		370654M02	1			
20	POWER SUPPLY CORD	KP-30B SJT#16AWG	P00004-01	1			
21	BUSHING	SR-7K-2	420472-02	1			
22	CLAMP		427902-02	4			
23	TWIST HOLDER		P00424-01	1			
24	INSULATION/DRAIN		4Y4319Z01	1			
25	SEAL FILM		472471P01	1			

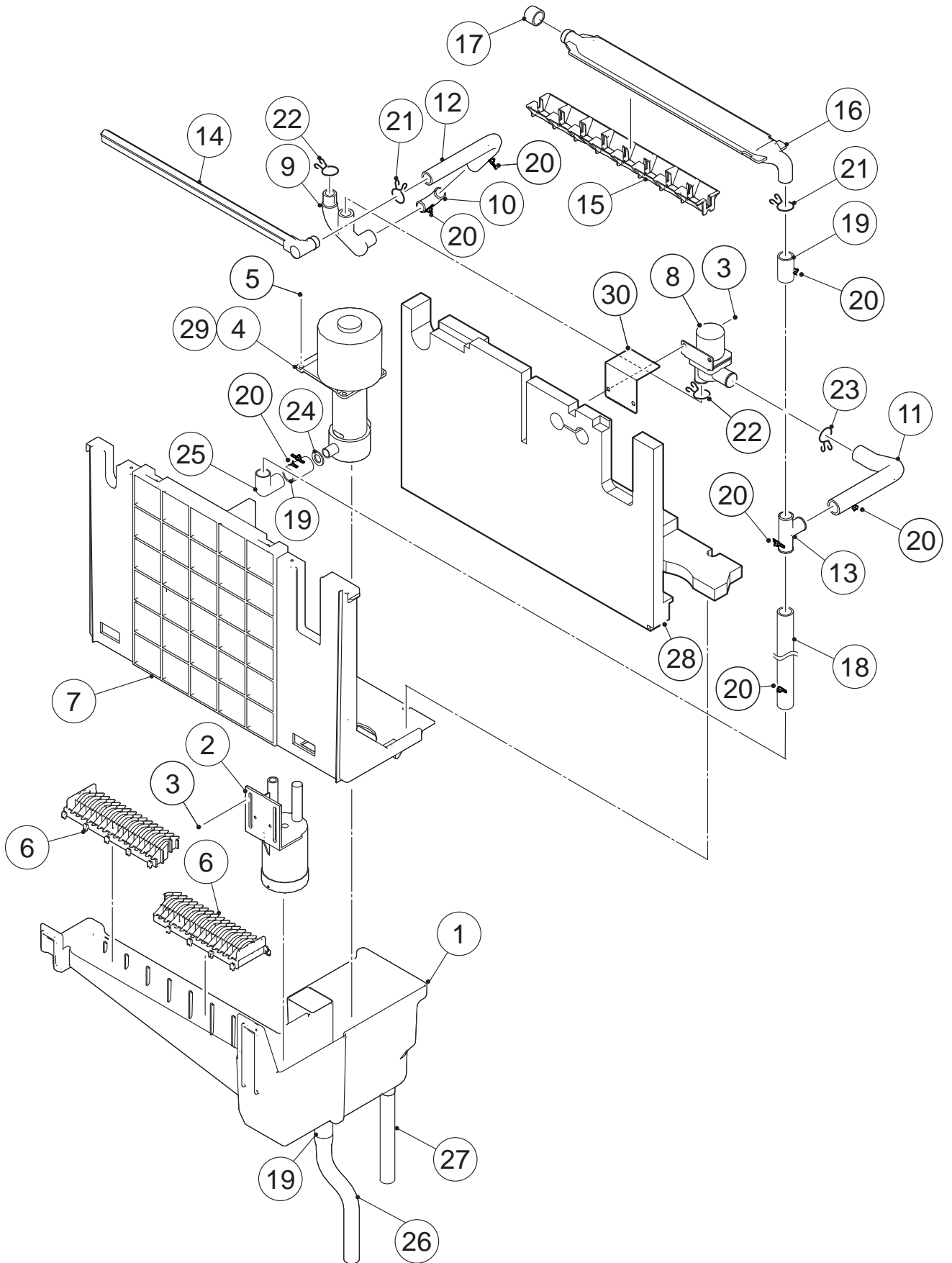
HA

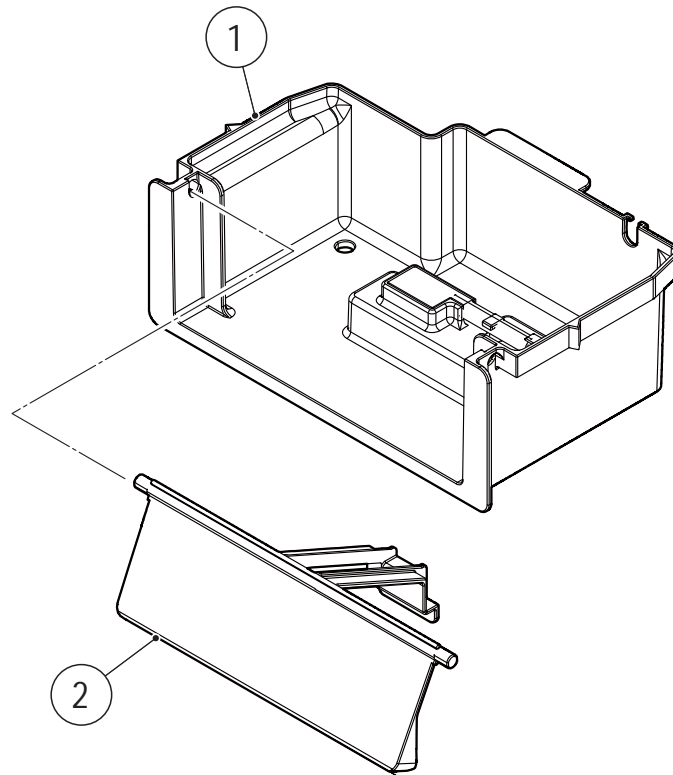
MODEL: KM-80BAJ		TITLE: A. ICE CUBER ASSY					
INDEX NO.	DESCRIPTION	MATERIAL OR MODEL NUMBER	PART NUMBER	REQ'D NUMBER			
				G-1			
26	GUIDE-DRAIN		4Y0191-01	2			
27	TRUSS HEAD SCREW		FST0408S0	2			
28	SPRING WASHER		FWSP04S0	2			
29	TOP PANEL ASSY		389182A08	1			



HA

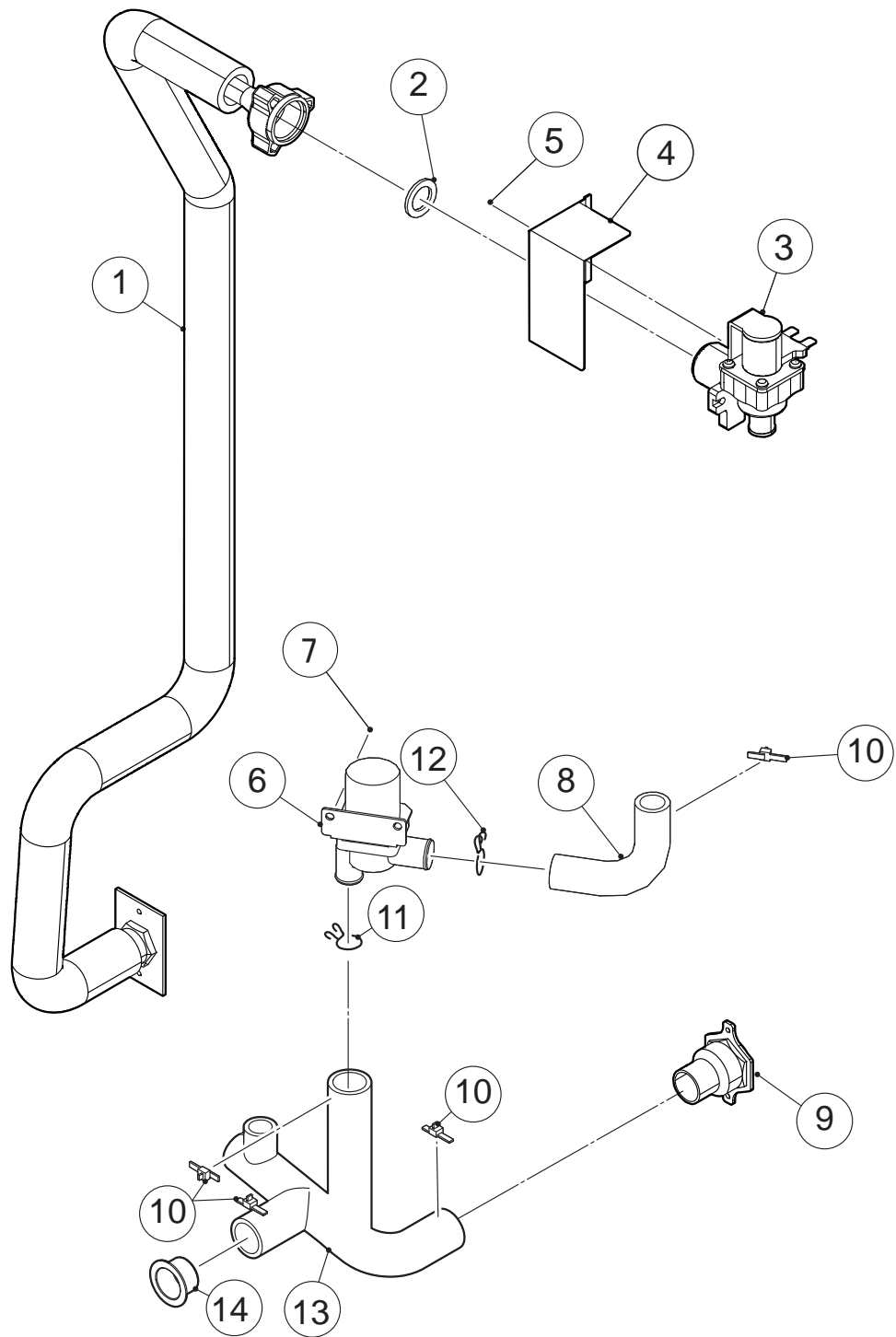
MODEL: KM-80BAJ		TITLE: B. BODY					
INDEX NO.	DESCRIPTION	MATERIAL OR MODEL NUMBER	PART NUMBER	REQ'D NUMBER			
				G-1			
1	BODY ASSY		124958G01	1			
2	FRONT FRAME		250744-01	1			
3	RAIL (L)		124933P01	1			
4	RAIL (R)		124932P01	1			
5	TRUSS HEAD TAPPING SCREW T2		FT20410S0	3			

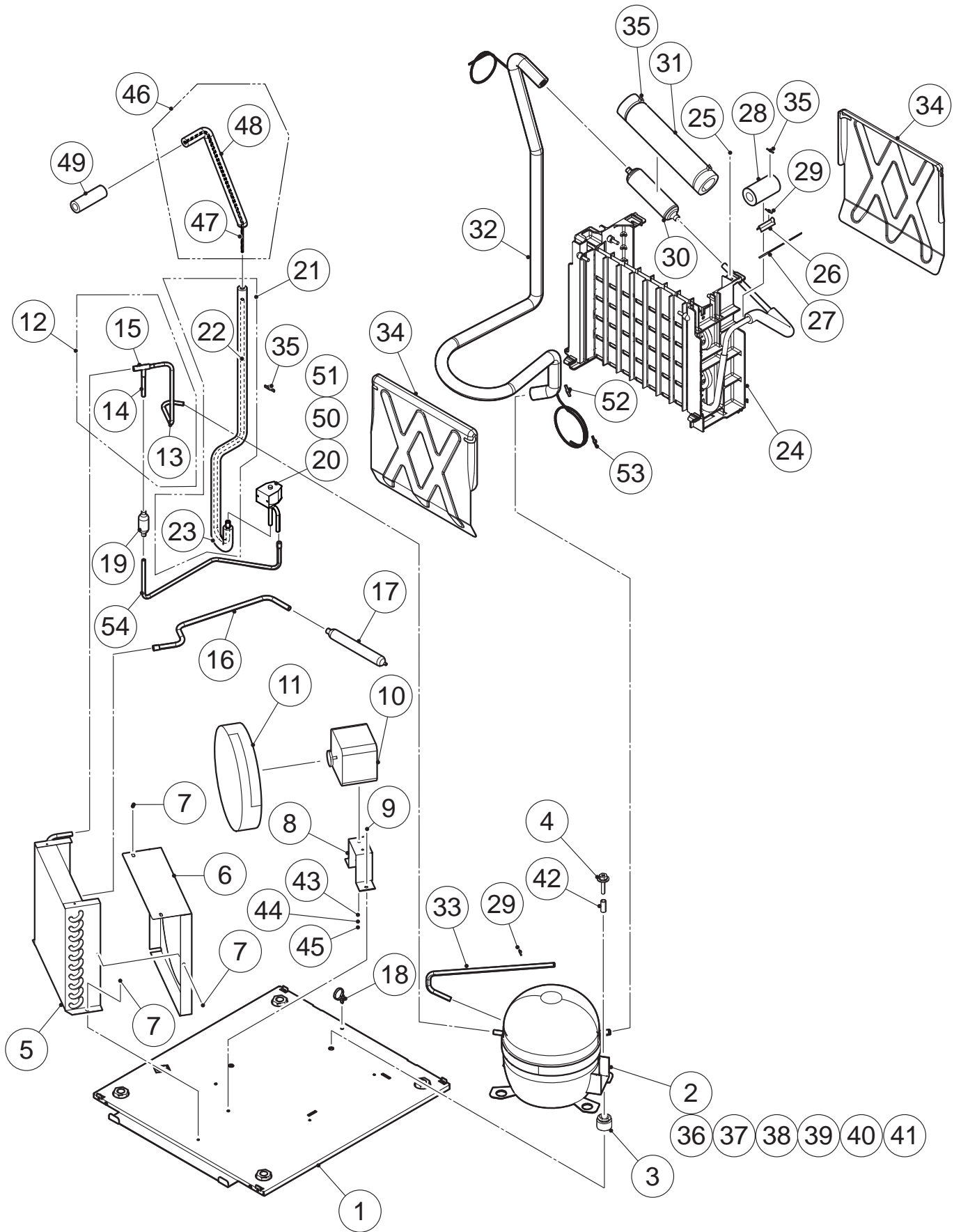




HA

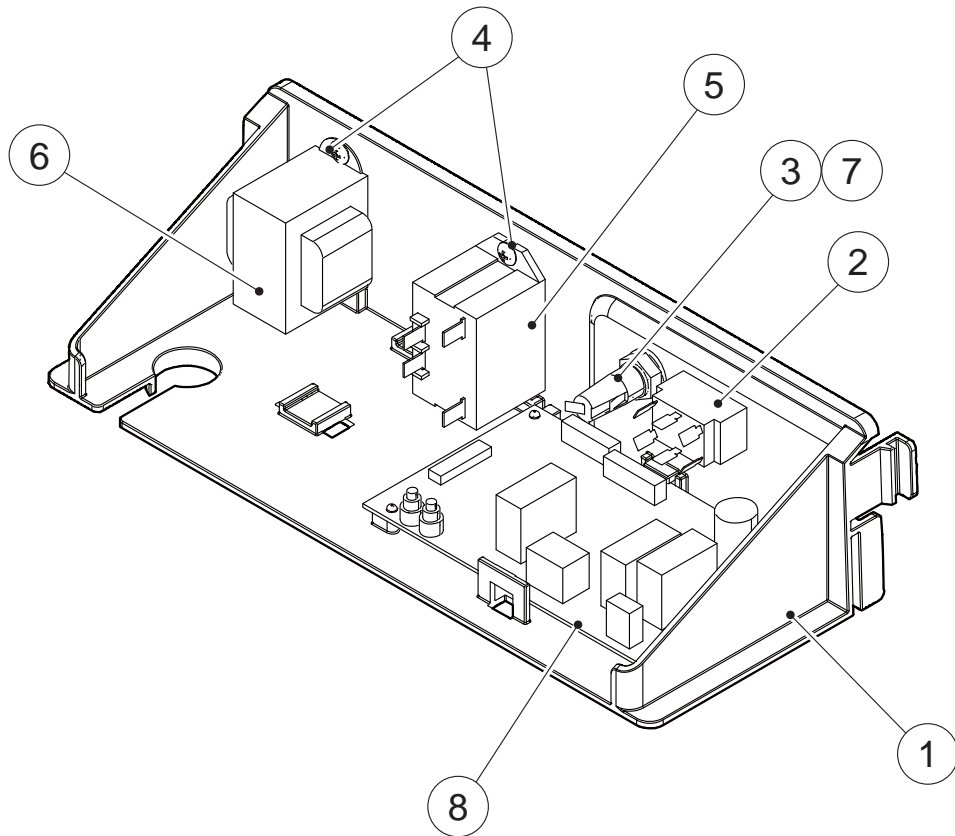
MODEL: KM-80BAJ		TITLE: D. MECHANICAL BIN SWITCH					
INDEX NO.	DESCRIPTION	MATERIAL OR MODEL NUMBER	PART NUMBER	REQ'D NUMBER			
				G-1			
1	MECHANICAL SWITCH CASE		371149G01	1			
2	DETECTOR		371150G01	1			





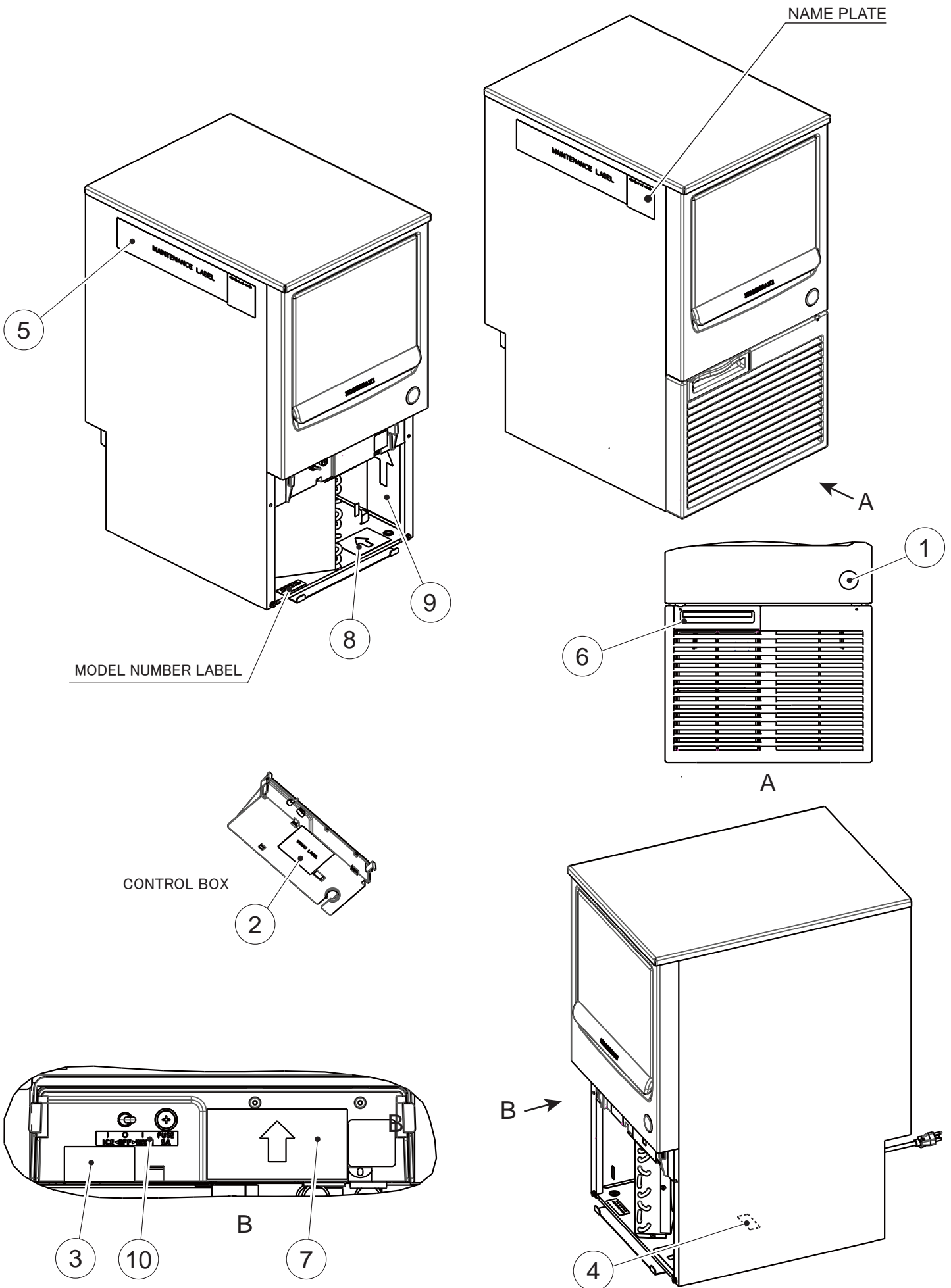
HA

MODEL: KM-80BAJ		TITLE: F. REFRIGERATION CIRCUIT					
INDEX NO.	DESCRIPTION	MATERIAL OR MODEL NUMBER	PART NUMBER	REQ'D NUMBER			
1	BASE		370282G01	1			
2	COMPRESSOR	QA51K13GAU6-E0GS	P00023-01	1			
3	RUBBER GROMMET	01-245970	463983-01	4			
4	BOLT	8x35	436206-03	2			
5	CONDENSER-AIR COOLED		P00003-01	1			
6	SHROUD		368317-01	1			
7	T2 TRUSS HEAD SCREW		FT20408F0	5			
8	BRACKET/FM		470291-01	1			
9	HEX HEAD BOLT (SPRING WASHER AND FLAT WASHER)		FBK0512S0	2			
10	FAN MOTOR (G)		384355G01	1			
11	FAN BLADE	200 DIA (22°)	P00006-01	1			
12	COPPER TUBE/HI (A)		370324G01	1			
13	COPPER TUBE (A)/HI		370327M01	1			
14	COPPER TUBE/H-2		470300-01	1			
15	TEE		420041-03	1			
16	COPPER TUBE (D)/HIGH SIDE		471940M01	1			
17	DRIER		P00007-01	1			
18	PUSH MOUNT TIE	T30RSF	436156-01	1			
19	STRAINER		P00008-01	1			
20	VALVE BODY		4A3275-01	1			
21	COPPER TUBE - HOT GAS		370325G01	1			
22	COPPER TUBE (A) - HOT GAS		370325M01	1			
23	INSULATION TUBE		H71020600	1			
24	EVAPORATOR ASSY		270898G01	1			
25	TRUSS HEAD TAPPING SCREW T2		FT20412M0	2			
26	HOLDER-THERMISTOR		436455-01	1			
27	THERMISTOR	NBFC-36-H60-1	P00027-01	1			
28	INSULATION-THERMISTOR		471010Z01	1			
29	TIE	CV-100	7920-0002	4			
30	ACCUMULATOR		P00010-01	1			
31	ACCUMULATOR COVER		369039Z01	1			
32	HEAT EXCHANGER		259014G01	1			
33	COPPER TUBE - PROCESS (A)		471008M01	1			



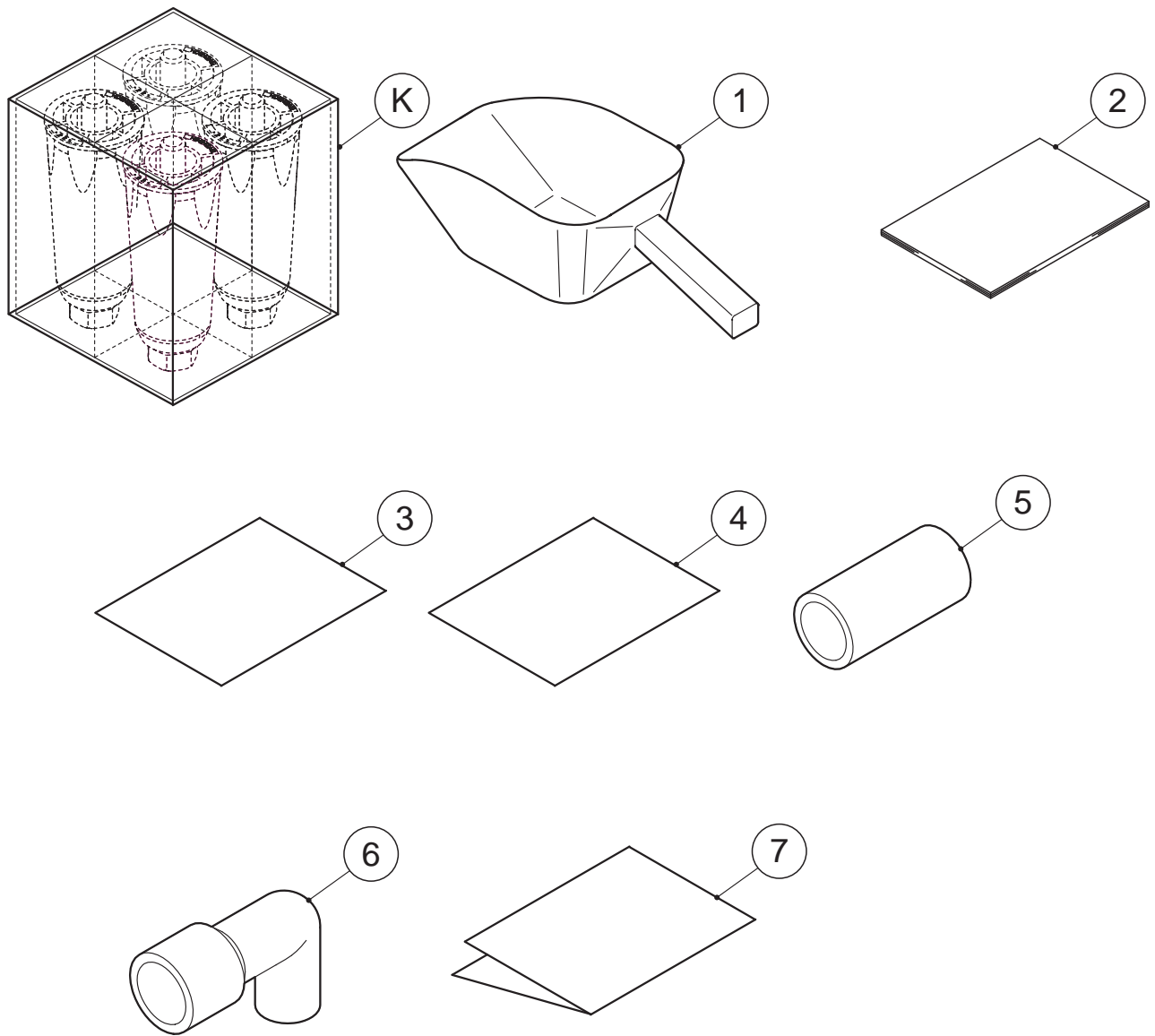
HA

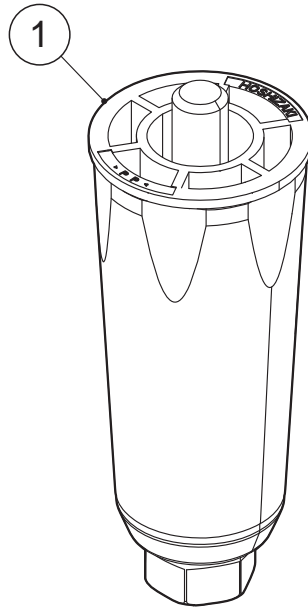
MODEL: KM-80BAJ		TITLE: G. CONTROL BOX ASSY					
INDEX NO.	DESCRIPTION	MATERIAL OR MODEL NUMBER	PART NUMBER	REQ'D NUMBER			
				G-1			
1	CONTROL BOX		117624-01	1			
2	TOGGLE SWITCH	KND-203	P00033-01	1			
3	FUSE HOLDER	BF115	P00014-01	1			
4	T2 TRUSS HEAD SCREW		FT20408M0	2			
5	POWER RELAY	G7L-1A-TUB	449000-01	1			
6	TRANSFORMER		3A4395-01	1			
7	FUSE		P01143-01	1			
8	CONTROLLER BOARD	HKM2006V003	P01771-02	1			



HA

MODEL: KM-80BAJ		TITLE: H. LABEL LOCATION					
INDEX NO.	DESCRIPTION	MATERIAL OR MODEL NUMBER	PART NUMBER	REQ'D NUMBER			
				G-1			
1	LABEL - PENGUIN		468184-01	1			
2	WIRING LABEL		384238L01	1			
3	CAUTION LABEL		464507-01	1			
4	LABEL - R134A		444463-01	1			
5	MAINTENANCE LABEL		384500L01	1			
6	LABEL - AIR FILTER		426177-01	1			
7	CAUTION LABEL - SERVICE		370640L01	1			
8	LABEL - ALARM		370310L01	1			
9	LABEL - CONTROL BOARD		370605L02	1			
10	CONTROL LABEL - FUSE		476009L01	1			





HA

MODEL: KM-80BAJ		TITLE: K. LEG SET - UNC					
INDEX NO.	DESCRIPTION	MATERIAL OR MODEL NUMBER	PART NUMBER	REQ'D NUMBER			
				G-1			
1	LEG - UNC		371053G01	4			