



HOSHIZAKI

Parts List

Modular Crescent Cuber

Models

KM-520MAJ-E

KM-660MAJ-E



hoshizakiamerica.com

Number: 71421
Issued: 10-19-2018
Revised: 1-20-2025

CONTENTS

Auxiliary Codes.....	3
Note About Ordering Parts	3
A. Main Assembly & Refrigeration Circuit	4
B. Water Circuit	6
C. Control Box Assembly	8
D. Accessories & Labels	10

Auxiliary Codes

KM-520MAJ-E

H-0	September 2018
J-0	February 2019
J-1	August 2019
J-2	December 2019
K-0	September 2020
L-0	January 2021
M-0	April 2022
N-1	April 2023
P-2	August 2024

KM-660MAJ-E

H-0	May 2018
J-0	January 2019
J-1	July 2019
J-2	November 2019
K-0	March 2020
K-1	July 2020
K-2	November 2020
L-0	January 2021
L-1	August 2021
M-0	February 2022
N-1	April 2023
P-0	January 2024
P-2	August 2024
Q-0	January 2025

Auxiliary Code Breakdown

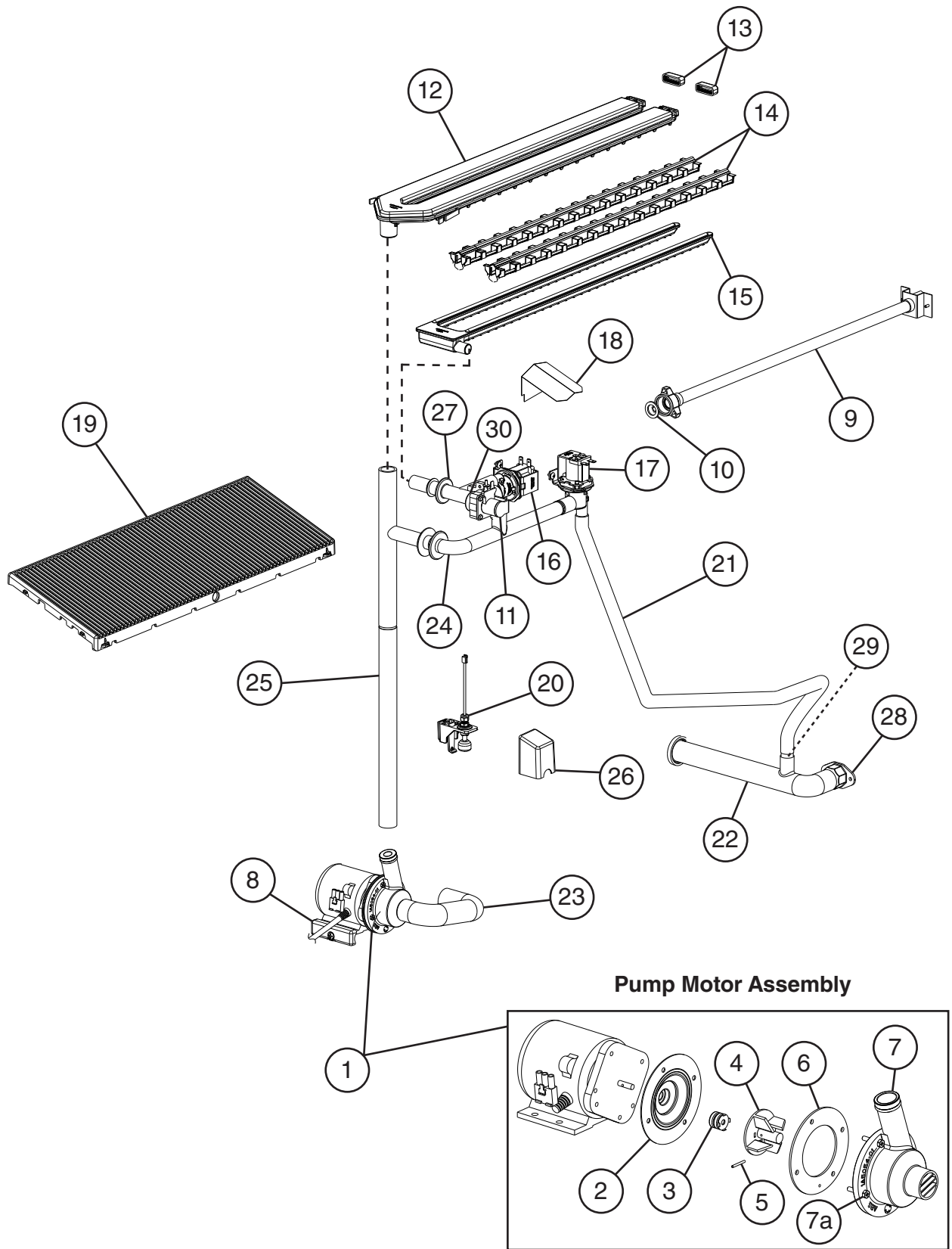
The auxiliary code is the first two characters in the serial number. The first character indicates the year. Years progress or regress in alphabetical order. The series runs from "A" through "V" and the letters "I" and "O" are skipped. The second character indicates significant part changes within a year. Base is "0" and this number advances for each change. In cases where there is a letter in parentheses, this designates the month. This is the last character in the serial number. The series runs from "(A)" through "(M)" and the letter "(I)" is skipped. This designation is only included when identifying a parts change within an auxiliary code.

Note About Ordering Parts

Most assemblies cannot be ordered as complete units; parts in the assemblies generally must be ordered separately.

Title: A. Main Assembly & Refrigeration Circuit Model: KM-520MAJ-E, KM-660MAJ-E												
Index No.	Description	Material or Model Number	Part Number	H-0 to Q-0	Required Number							
Main Assembly												
1	Front Panel Assembly (includes 2 each of items 2 and 3)		1A6184A01	1								
2	Louver		1A0547-01	2								
3	Air Filter		2A2062G01	2								
4	Front Insulation		3A9354G01	1								
5	Top Panel		1A4554-01	1								
6	Top Insulation		3A9353G01	1								
7	Right Side Panel		1A5480-01	1								
8	Main Transformer		4A5261-01	1								
9	Base Cover		3A9771-01	1								
10	Power Supply Cord		452359-02	1								
Refrigeration Circuit												
11	Compressor		4A4462-01	1								
12	Condenser		1A4584-02	1								
13	Evaporator Assembly	SP-5425	1A4119G01	1								
14	Thermostatic Expansion Valve		4A4008-02	1								
15	Thermostatic Expansion Valve Cover		4A6853-01	1								
16	Thermostatic Expansion Valve Bulb Holder		3A0107-01	1								
17	Clamp		443461-02	1								
18	Hot Gas Valve Body		4A3978-01	1								
19	Liquid Line Valve Body		4A3276-01	1								
20	Valve Coil (includes Bolt)		4A3277-01	2								
21	High-Pressure Switch		463180-01	1								
22	Thermistor		429006-03	1								
23	Thermistor Holder		427430-01	1								
24	Fan Motor		4A3158-01	1								
25	Fan Blade		4A0197-01	1								
26	Strainer		441569-04	1								
27	Drier		4A1113-01	1								
28	Heat Exchanger		2A9117G01	1								

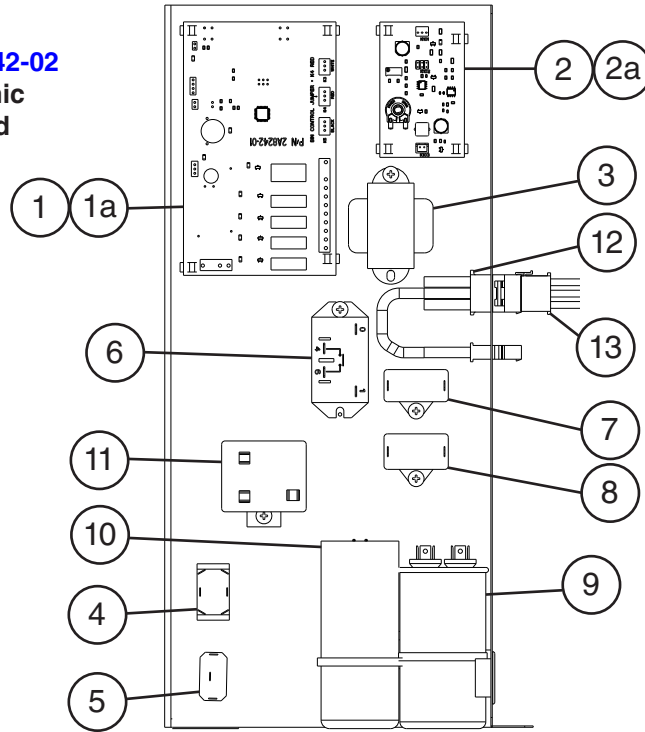
B. Water Circuit
KM-520MAJ-E, KM-660MAJ-E
 H-0 to Q-0



Title: B. Water Circuit Model: KM-520MAJ-E, KM-660MAJ-E											
Index No.	Description	Material or Model Number	Part Number	Required Number							
				H-0 to K-0	K-1 to P-0	P-2 Q-0					
1	Pump Motor Assembly (includes pump motor and items 2 through 7a)	SP-5423	3A9779A02	1	1	1					
2	Pump Flange		3A2988-01	1	1	1					
3	Mechanical Seal		465627-03	1	1	1					
4	Impeller		433522-01	1	1	1					
5	Pin		4A0648-01	1	1	1					
6	Pump Gasket		4A2974-01	1	1	1					
7	Pump Housing		1A5054-01	1	1	1					
7a	Screw	4x20	4A3871-01	4	4	4					
8	Pump Motor Bracket		1A4670-01	1	1	1					
9	Water Supply Pipe	HS-0242	4A5216G04	1	-						
			4A5216G07		1	1					
10	Rubber Gasket		413854-03	1	1	1					
11	Inlet Water Valve		4A5251-06	1	1	1					
12	Spray Tube		1A4571G01	1	1	1					
13	Cap		4A6069-01	2	-						
			4A6394-01		2	2					
14	Spray Guide		1A4581-01	2	2	2					
15	Water Supply Tube		1A4572G01	1	1	1					
16	Cleaning Valve		4A5745-01	1	1	1					
17	Drain Valve		4A5745-03	1	1	1					
18	Splash Shield		4A6883-02		1	1					
19	Cube Guide		1A4568-01	1	1	1					
20	Float Switch		4A7080G01	1	1	1					
21	Silicone Hose	L=750 mm	7730-1114	1	1	1					
22	Drain Hose		1A4579-01	1	1	1					
23	Suction Hose		433466-01	1	1	1					
24	By Pass Hose		3A9544-01	1	1	1					
25	Water Hose		2A8823G01	1	1	1					
26	Overflow Cap		1A4580-01	1	1	1					
27	Water Supply Tee		3A9429-01	1	1	1					
28	Drain Fitting		4A5528-02	1	1	1					
29	Joint Pipe		4A6286-01	1	1	1					
Hose Clamps											
30	Hose Clamp		4A2017-05			1					

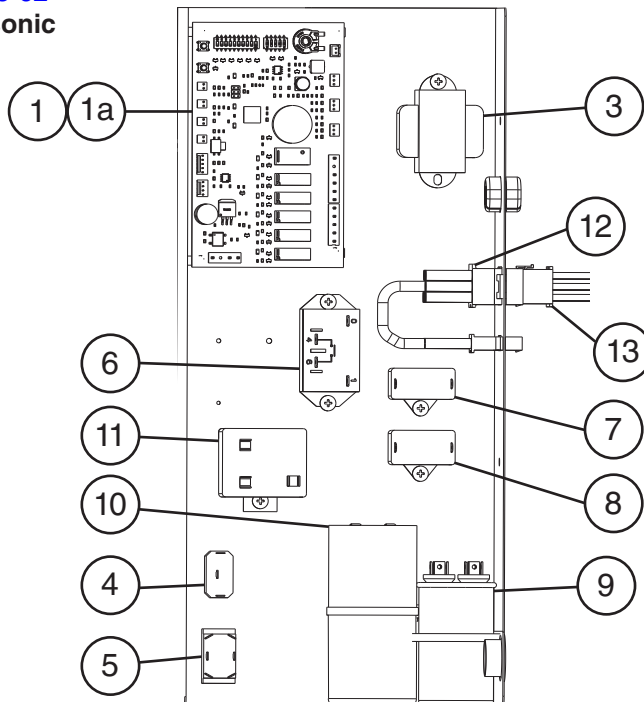
C. Control Box Assembly
KM-520MAJ-E, KM-660MAJ-E
H-0 to L-1

Control Board **2A8242-02**
with item 2 - Ultrasonic
Sensor Control Board



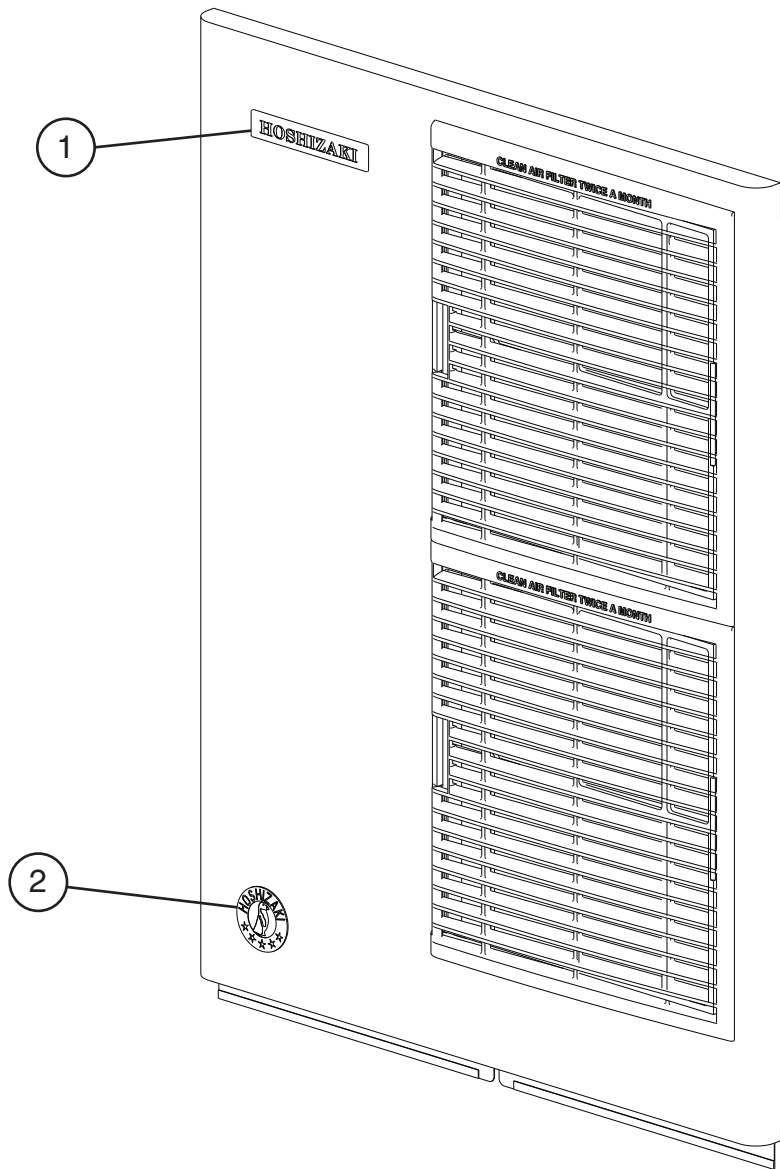
M-0 to Q-0

Control Board **2A9678-02**
without item 2 - Ultrasonic
Sensor Control Board



Title: C. Control Box Assembly Model: KM-520MAJ-E, KM-660MAJ-E											
Index No.	Description	Material or Model Number	Part Number	Required Number							
				H-0 to L-1	M-0 to Q-0						
1	Control Board		2A8242-02	1	-						
			2A9678-02		1						
1a	Control Board Support		4A0336-03	4	4						
2	Ultrasonic Bin Control Board (for use with item 1 only (2A8242-02)		4A6838-01	1	-						
2a	Control Board Support (for use with item 1 and 2 only (2A8242-02)		4A0336-03	4	-						
3	Control Transformer		3A0172-01	1	1						
4	Control Switch		4A6232-01	1	1						
5	Mode Switch		4A0985-01	1	1						
6	Compressor Relay		4A3140-01	1	1						
7	Fan Motor Capacitor	5.0MFD, 250VAC	4A6435-02	1	1						
8	Pump Motor Capacitor	5.5MFD, 250VAC	4A6435-03	1	1						
9	Run Capacitor	20MFD, 440VAC	3A2005-01	1	1						
10	Start Capacitor	130-156MFD, 250VAC	3A4788-01	1	1						
11	Start Relay		4A1107-15	1	1						
12	Wire Harness A		1A4291-01	1	-						
			1A4291-02		1						
13	Wire Harness B		1A4292-01	1	1						

D. Accessories & Labels
KM-520MAJ-E, KM-660MAJ-E
H-0 to Q-0



Title: D. Accessories & Labels		Model: KM-520MAJ-E, KM-660MAJ-E		Required Number						
Index No.	Description	Material or Model Number	Part Number	H-0 to Q-0						
1	Hoshizaki Emblem Label		4A0560-01	1						
2	Penguin Label		475552L02	1						
3	Universal Brace		4A0363-02	2						
3a	Hex Head Bolt	5x12, SS	7B02-0512	2						