

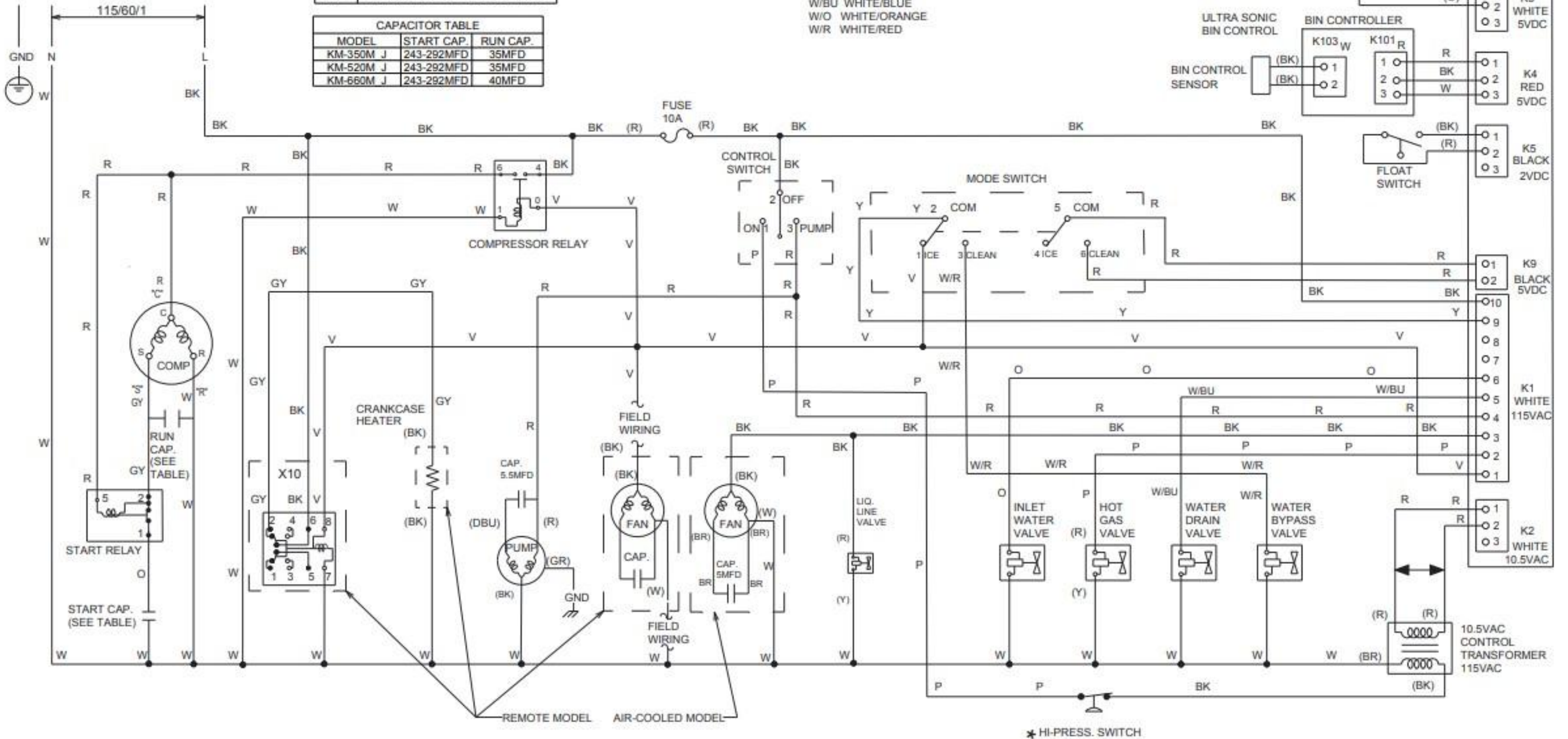
S4 DIP SWITCH SETTINGS										
MODEL	1	2	3	4	5	6	7	8	9	10
KM-350M J				ON	ON					
KM-520M J	OFF					OFF	ON	OFF		ON
KM-660M J	OFF			OFF	OFF	OFF	ON	OFF		ON

S5 DIP SWITCH SETTINGS					
MODEL	1	2	3	4	5
KM-350M J					
KM-520M J	OFF				ON
KM-620M J	OFF				ON

ABBR.	COMPONENT NAME
X10	CRANKCASE HEATER RELAY

CAPACITOR TABLE		
MODEL	START CAP.	RUN CAP.
KM-350M J	243-292MFD	35MFD
KM-520M J	243-292MFD	35MFD
KM-660M J	243-292MFD	40MFD

WIRE COLOR CODE
 BK BLACK
 BR BROWN
 DBU DARK BLUE
 GR GREEN
 GY GRAY
 LBU LIGHT BLUE
 O ORANGE
 P PINK
 R RED
 V VIOLET
 W WHITE
 Y YELLOW
 W/BK WHITE/BLACK
 W/BR WHITE/BROWN
 W/BU WHITE/BLUE
 W/O WHITE/ORANGE
 W/R WHITE/RED



* HI-PRESS. SWITCH