



HOSHIZAKI

Parts List

Modular Crescent Cuber

Models

KM-1340MAH, MWH, MRH/3



hoshizakiamerica.com

Number: 71251
Issued: 5-1-2006
Revised: 9-12-2019

CONTENTS

Auxiliary Codes.....	3
Note About Ordering Parts	4
A. Main Assembly & Refrigeration Circuit	5
KM-1340MAH.....	5
KM-1340MWH.....	7
KM-1340MRH/3.....	9
B. Water Circuit	11
C. Control Box Assembly	14
D. Accessories & Labels	16

Auxiliary Codes

KM-1340MAH

Q-0 October 2005
R-0 February 2006
R-1 September 2006
S-1 January 2007
T-0 January 2008
U-0 January 2009
U-1 August 2009
V-0 January 2010
V-1 July 2010
A-0 January 2011
A-1 September 2011
B-0 January 2012
C-0 January 2013
D-0 January 2014
D-1 November 2014
E-0 January 2015
E-1 February 2015
F-0 January 2016
G-0 January 2017
H-0 January 2018

KM-1340MWH

Q-0 October 2005
R-0 February 2006
R-1 August 2006
S-1 January 2007
T-0 January 2008
U-0 January 2009
U-1 August 2009
V-0 January 2010
V-1 July 2010
A-0 January 2011
A-1 September 2011
B-0 January 2012
C-0 January 2013
C-1 May 2013
D-0 January 2014
D-1 November 2014
E-0 January 2015
E-1 February 2015
F-0 January 2016
G-0 January 2017
H-0 January 2018

KM-1340MRH

Q-0 October 2005
R-0 February 2006
R-1 August 2006
S-1 January 2007
T-0 January 2008
U-0 January 2009
U-1 August 2009
V-0 January 2010
V-1 July 2010
A-0 January 2011
A-1 September 2011
B-0 January 2012
C-0 January 2013
D-0 January 2014
D-1 June 2014
D-2 November 2014
E-0 January 2015
F-0 January 2016
G-0 January 2017
H-0 January 2018

KM-1340MRH3

E-0 March 2015
F-0 May 2016
G-0 May 2017
H-0 January 2018

Auxiliary Code Breakdown

The auxiliary code is the first two characters in the serial number. The first character indicates the year. Years progress or regress in alphabetical order. The series runs from "A" through "V" and the letters "I" and "O" are skipped. The second character indicates significant part changes within a year. Base is "0" and this number advances for each change. In cases where there is a letter in parentheses, this designates the month. This is the last character in the serial number. The series runs from "(A)" through "(M)" and the letter "(I)" is skipped. This designation is only included when identifying a parts change within an auxiliary code.

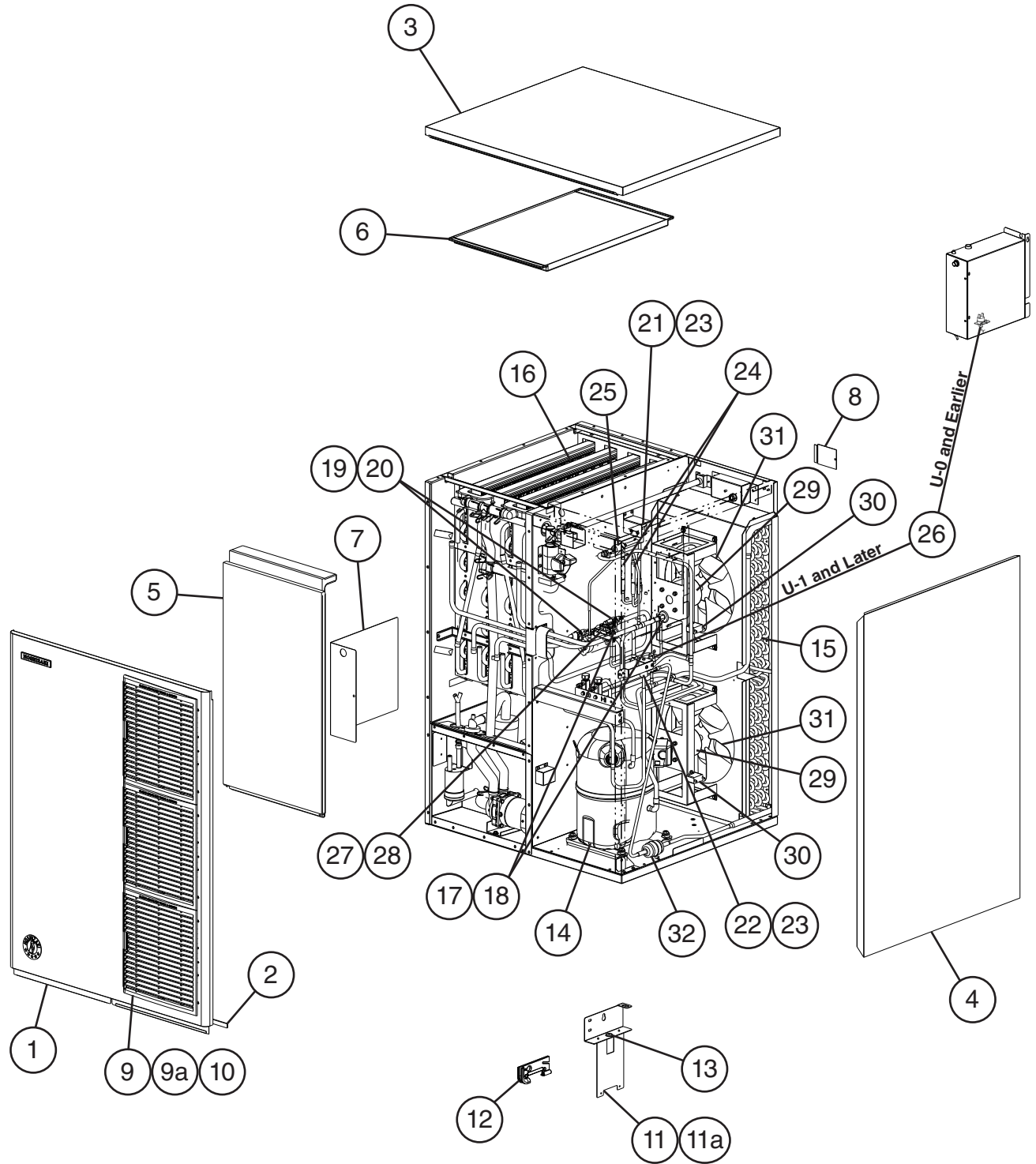
Note About Ordering Parts

Most assemblies cannot be ordered as complete units; parts in the assemblies generally must be ordered separately.

A. Main Assembly & Refrigeration Circuit

KM-1340MAH

Q-0 to H-0



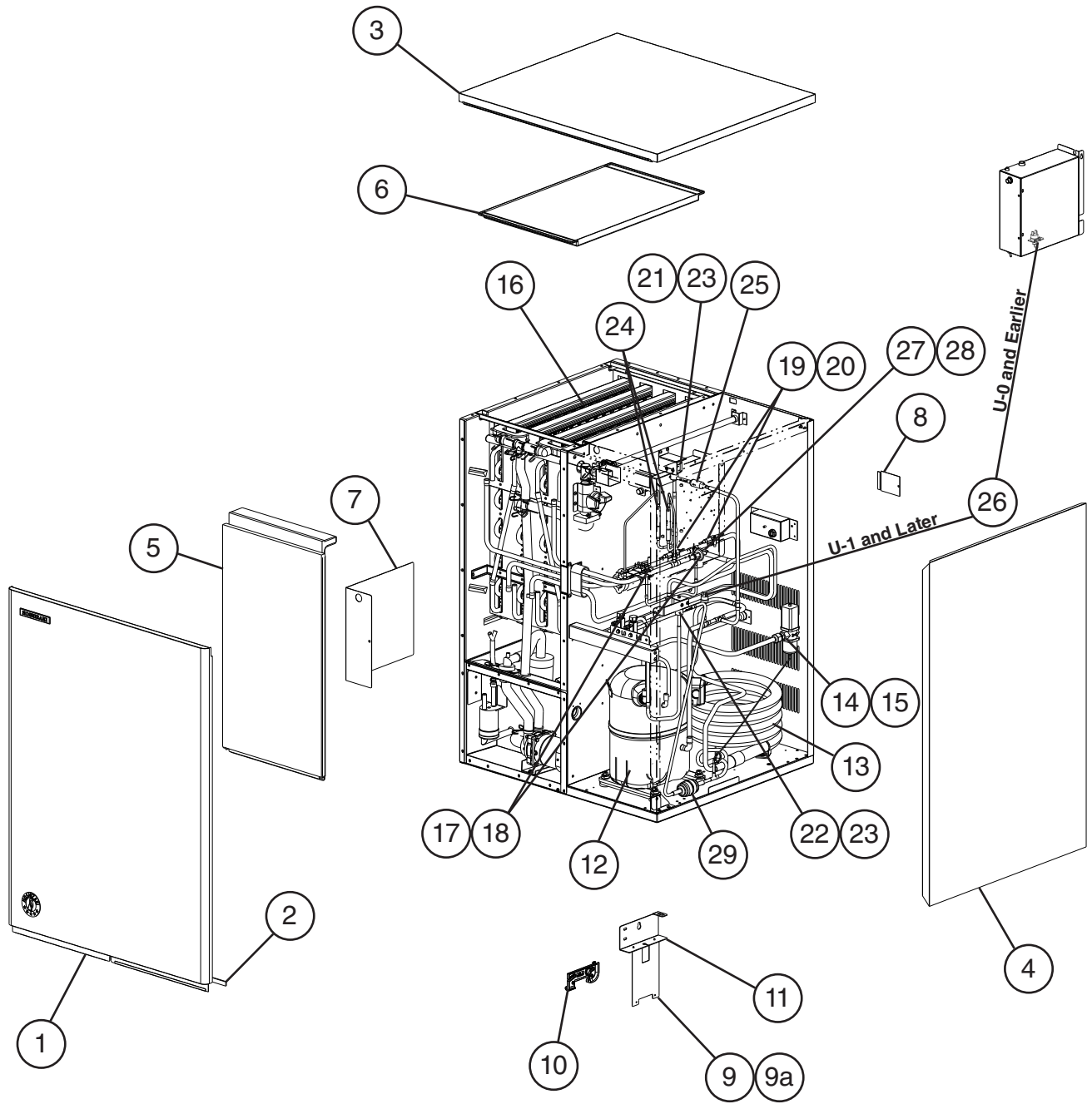
Title: A. Main Assembly & Refrigeration Circuit Model: KM-1340MAH

Index No.	Description	Material or Model Number	Part Number	Required Number							
				Q-0 to U-0	U-1 to A-0	A-1 to H-0					
Main Assembly											
1	Front Panel		2A2164-01	1	1	1					
2	Gasket	L=762 mm	4A0808L02	1	1	1					
3	Top Panel		3A1941A01	1	1	1					
4	Right Side Panel		2A2165G01	1	1	1					
5	Front Insulation		322711G01	1	1	1					
6	Top Insulation		322714G01	1	1	1					
7	Control Box Cover		3A2386-01	1	1	1					
8	Junction Box Cover		433410-01	1	1	1					
9	Louver		1A0547-01	3	3	3					
9a	Push Retainer		4A2414-01	9	9	9					
10	Air Filter		2A2062G01	3	3	3					
11	Bulb Holder Bracket		322815G02	1	1	1					
11a	Thumbscrew		415949G10	2	2	2					
12	Bulb Holder		3A3903-01	1	1	1					
13	Capillary Ring		425307-02	1	1	1					
Refrigeration Circuit											
14	Compressor		4A1412-01	1	1	-					
			4A1412-03			1					
15	Condenser		1A1093-01	1	1	1					
16	Evaporator Assembly		104442G03	1	1	1					
17	Thermostatic Expansion Valve		4A1482-01	2	2	2					
18	Thermostatic Expansion Valve Cover		3A0944-01	2	2	2					
19	Thermostatic Expansion Valve Bulb Holder		3A0107-01	2	2	2					
20	Clamp		443461-02	1	1	1					
21	Hot Gas Valve Body		4A3978-01	1	1	1					
22	Liquid Line Valve Body		4A3276-01	1	1	1					
23	Valve Coil		4A3277-01	2	2	2					
24	Check Valve		4A1373-01	2	2	2					
25	Strainer		441569-02	1	1	1					
26	High-Pressure Switch		433441-07	1	-						
			463180-04		1	1					
27	Thermistor		429006-03	1	1	1					
28	Thermistor Holder		427430-01	1	1	1					
29	Fan Motor		4A3158-01	2	2	2					
30	Fan Motor Capacitor	5MFD, 250VAC	443192-02	2	2	2					
31	Fan Blade		444898-01	2	2	2					
32	Drier		4A2666-01	1	1	1					

A. Main Assembly & Refrigeration Circuit

KM-1340MWH

Q-0 to H-0

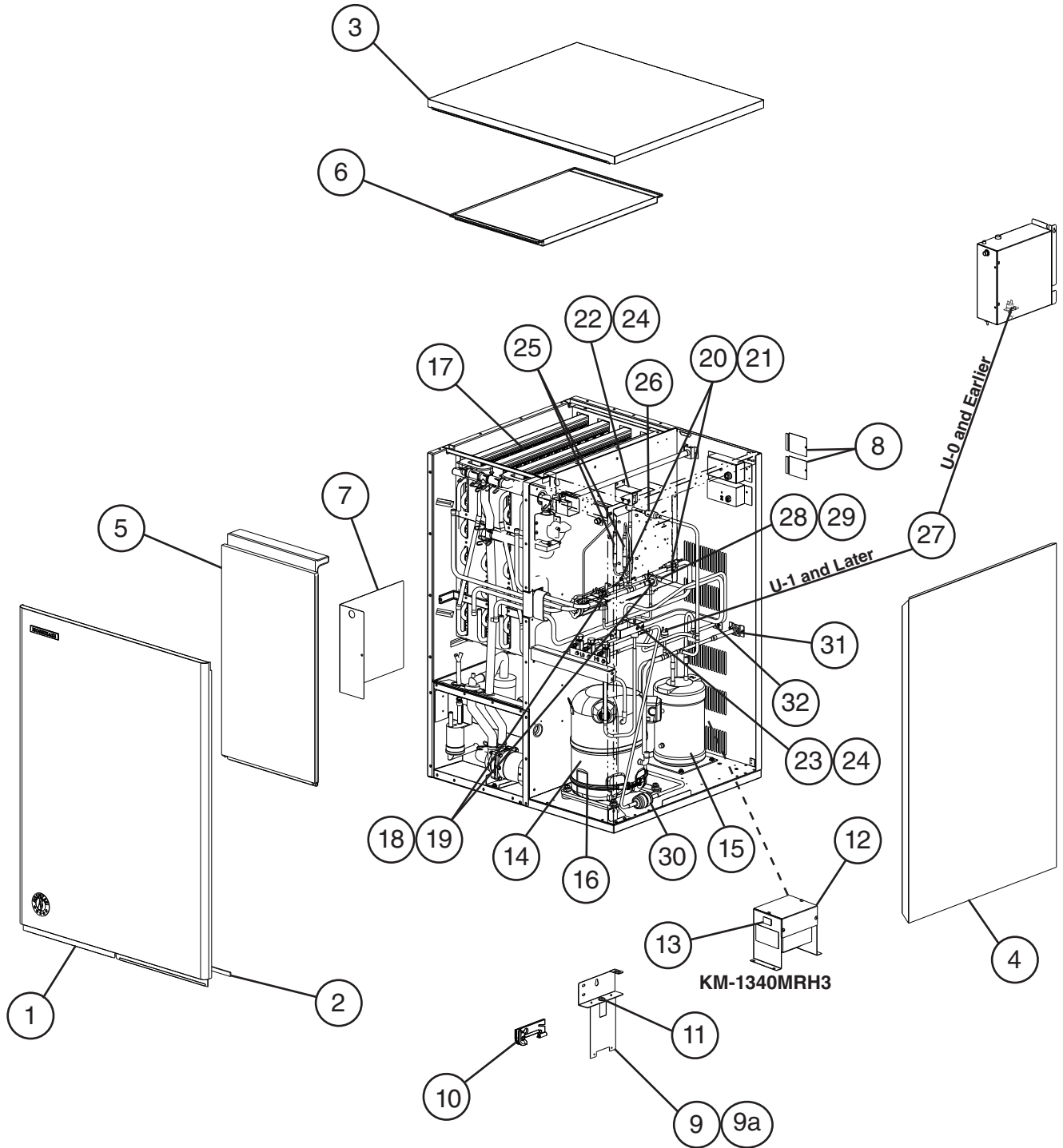


Title: A. Main Assembly & Refrigeration Circuit Model: KM-1340MWH												
Index No.	Description	Material or Model Number	Part Number	Required Number								
				Q-0 to U-0	U-1 to A-0	A-1 to C-0	C-1 to H-0					
Main Assembly												
1	Front Panel		2A2164-02	1	1	1	1					
2	Gasket	L=762 mm	4A0808L02	1	1	1	1					
3	Top Panel		3A1941A01	1	1	1	1					
4	Right Side Panel		2A2165G01	1	1	1	1					
5	Front Insulation		322711G01	1	1	1	1					
6	Top Insulation		322714G01	1	1	1	1					
7	Control Box Cover		3A2386-01	1	1	1	1					
8	Junction Box Cover		433410-01	1	1	1	1					
9	Bulb Holder Bracket		322815G02	1	1	1	1					
9a	Thumbscrew		415949G10	2	2	2	2					
10	Bulb Holder		3A3903-01	1	1	1	1					
11	Capillary Ring		425307-02	1	1	1	1					
Refrigeration Circuit												
12	Compressor		4A1412-01	1	1	-						
			4A1412-03			1	1					
13	Condenser		2A2359G04	1	1	1	-					
			3A7236-01				1					
14	Water Regulating Valve		4A0911-07	1	1	1	1					
15	Male Connector		4A1087-01	1	1	1	1					
16	Evaporator Assembly		104442G03	1	1	1	1					
17	Thermostatic Expansion Valve		4A1482-01	2	2	2	2					
18	Thermostatic Expansion Valve Cover		3A0944-01	2	2	2	2					
19	Thermostatic Expansion Valve Bulb Holder		3A0107-01	2	2	2	2					
20	Clamp		443461-02	1	1	1	1					
21	Hot Gas Valve Body		4A3978-01	1	1	1	1					
22	Liquid Line Valve Body		4A3276-01	1	1	1	1					
23	Valve Coil		4A3277-01	2	2	2	2					
24	Check Valve		4A1373-01	2	2	2	2					
25	Strainer		441569-02	1	1	1	1					
26	High-Pressure Switch		433441-05	1	-							
			463180-05		1	1	1					
27	Thermistor		429006-03	1	1	1	1					
28	Thermistor Holder		427430-01	1	1	1	1					
29	Drier		4A2666-01	1	1	1	1					

A. Main Assembly & Refrigeration Circuit

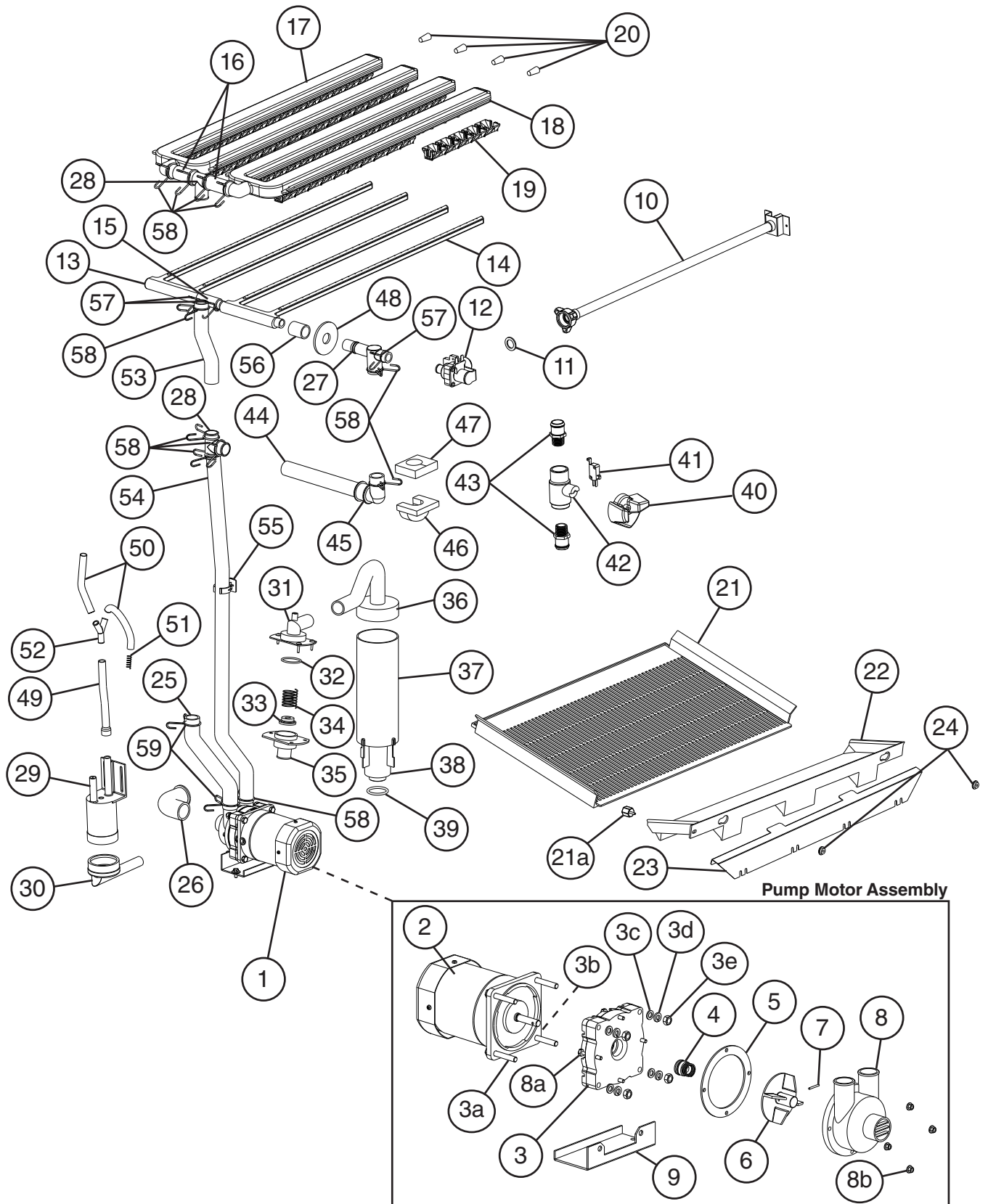
KM-1340MRH/3

Q-0 to H-0



Title: A. Main Assembly & Refrigeration Circuit Model: KM-1340MRH/3												
Index No.	Description	Material or Model Number	Part Number	Required Number								
				Q-0 to U-0	U-1 to A-0	A-1 to D-2	E-0 to H-0					
Main Assembly												
1	Front Panel		2A2164-02	1	1	1	1					
2	Gasket	L=762 mm	4A0808L02	1	1	1	1					
3	Top Panel		3A1941A01	1	1	1	1					
4	Right Side Panel		2A2165G01	1	1	1	1					
5	Front Insulation		322711G01	1	1	1	1					
6	Top Insulation		322714G01	1	1	1	1					
7	Control Box Cover		3A2386-01	1	1	1	1					
8	Junction Box Cover		433410-01	2	2	2	2					
9	Bulb Holder Bracket		322815G02	1	1	1	1					
9a	Thumbscrew		415949G10	2	2	2	2					
10	Bulb Holder		3A3903-01	1	1	1	1					
11	Capillary Ring		425307-02	1	1	1	1					
12	Main Transformer	KM-1340MRH3	4A5695-01				1					
13	Voltage Tap Switch		4A1477-01				1					
Refrigeration Circuit												
14	Compressor (A-1 and later utilize external crankcase heater - item 16)		4A1412-02	1	1	-						
			4A1412-03			1	1					
		KM-1340MRH3	4A1484-03				1					
15	Receiver		437652-01	1	1	1	1					
16	Crankcase Heater		4A5397-02	1	1	1	1					
17	Evaporator Assembly		104442G03	1	1	1	1					
18	Thermostatic Expansion Valve		4A1482-01	2	2	2	2					
19	Thermostatic Expansion Valve Cover		3A0944-01	2	2	2	2					
20	Thermostatic Expansion Valve Bulb Holder		3A0107-01	2	2	2	2					
21	Clamp		443461-02	1	1	1	1					
22	Hot Gas Valve Body		4A3978-01		1	1	1					
23	Liquid Line Valve Body		4A3276-01		1	1	1					
24	Valve Coil		4A3277-01	2	2	2	2					
25	Check Valve		4A1373-01	2	2	2	2					
26	Strainer		441569-02	1	1	1	1					
27	High-Pressure Switch		433441-07	1	-							
			463180-04		1	1	1					
28	Thermistor		429006-03	1	1	1	1					
29	Thermistor Holder		427430-01	1	1	1	1					
30	Drier		4A2666-01	1	1	1	1					
31	Discharge Line Coupling		434136G01	1	1	1	1					
32	Liquid Line Coupling		4A3887G01	1	1	1	1					

B. Water Circuit
KM-1340M_H/3
 Q-0 to H-0



Title: B. Water Circuit Model: KM-1340M_H/3

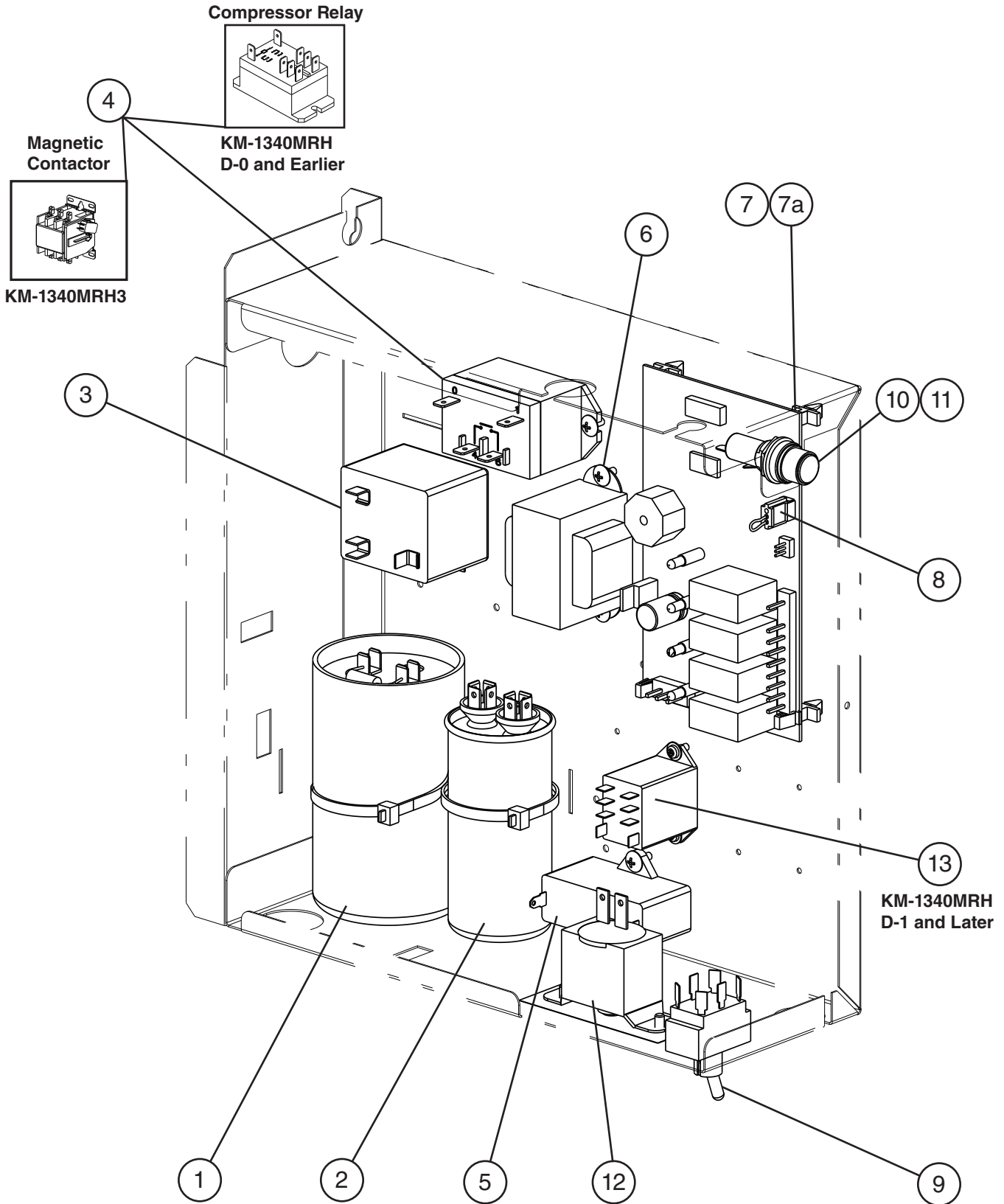
Index No.	Description	Material or Model Number	Part Number	Required Number																
				Q-0 to H-0																
1	Pump Motor Assembly (includes items 2 through 9a)	S-0731	215693A01	1																
2	Pump Motor		3A7682-01	1																
3	Pump Flange		215662-01	1																
3a	Hex Head Bolt	6x40, SS	7B02-0640	4																
3b	Tooth Washer	M6, SS	7R22-0600	1																
3c	Hex Nut	M6, SS	7N12-0600	4																
3d	Split Lock Washer	M6, SS	7L22-0600	4																
3e	Flat Washer	M6, SS	7W22-0600	4																
4	Mechanical Seal		4A3820-01	1																
5	Packing		428547-01	1																
6	Impeller		428548-01	1																
7	Pin	SS	4A0648-01	1																
8	Pump Housing		212636-01	1																
8a	Hexagon Bolt	4x30, SS	7B02-0430	4																
8b	Hex Flange Nut	M4, SS	7J02-0400	4																
9	Pump Motor Bracket		435057-01	1																
10	Water Supply Pipe		4A5216G04	1																
11	Rubber Gasket		413854-03	1																
12	Inlet Water Valve		3U0111-02	1																
13	Left Water Supply Tube		2A0079-01	1																
14	Right Water Supply Tube		2A0079-02	1																
15	Vinyl Hose	L=58 mm	7716-1519	1																
16	Vinyl Hose	L=63 mm	7716-2025	2																
17	Left Spray Tube		1A0260-02	1																
18	Right Spray Tube		1A0260-01	1																
19	Spray Guide		208586-01	12																
20	Plug		4A0176-01	4																
21	Cube Guide A		214905-01	1																
21a	Thumbscrew		415949G12	1																
22	Cube Guide B		322644-02	1																
23	Plate		3A0133-01	1																
24	Collar		435269-01	2																
25	Drain Hose		435092-01	1																
26	Inlet Hose A		435091-01	1																
27	Distributor A (Tee)		4A0177-01	1																
28	Distributor B (Tee)		432426-01	2																
29	Float Switch		4A3624-02	1																
30	Float Switch Connector		426799-01	1																
31	Upper Drain Valve Housing		3A1170-01	1																
32	O-Ring		7611-G035	1																
33	Valve Seat		433705-01	1																
34	Spring		322685-01	1																
35	Lower Drain Valve Housing		435054-01	1																
36	Distributor Hose (C)		326655-01	1																
37	Overflow Cap		322816-01	1																
38	Overflow Pipe		322691-01	1																
39	O-Ring		4A1234-01	1																
40	Cleaning Valve Handle		215383-01	1																

Title: B. Water Circuit Model: KM-1340M_H/3												
Index No.	Description	Material or Model Number	Part Number	Q-0 to H-0	Required Number							
41	Cleaning Valve Microswitch		4A2546-01	1								
42	Cleaning Valve Ball Valve		439293-01	1								
43	Cleaning Valve Male Adaptor		325826-01	2								
44	Bypass Hose		439265-01	1								
45	Rubber Ring		439236-01	1								
46	Corner Insulation (A)		439376-01	1								
47	Corner Insulation (B)		439392-01	1								
48	Flange		439267-01	1								
49	Silicone Hose	L=80 mm	773013812	1								
50	Silicone Hose	L=130 mm	773013812	2								
51	Spring		435825-01	1								
52	Connector (wye)		432763-01	1								
53	Vinyl Hose	L=190 mm	7716-2025	1								
54	Vinyl Hose	L=670 mm	7716-2025	1								
55	Holder		322692-01	1								
56	Vinyl Hose	L=30 mm	7716-2025	1								
Hose Clamps												
57	Hose Clamp	18 mm	427443-05	3								
58	Hose Clamp	25 mm	427443-03	11								
59	Hose Clamp	27 mm	427443-08	2								

C. Control Box Assembly

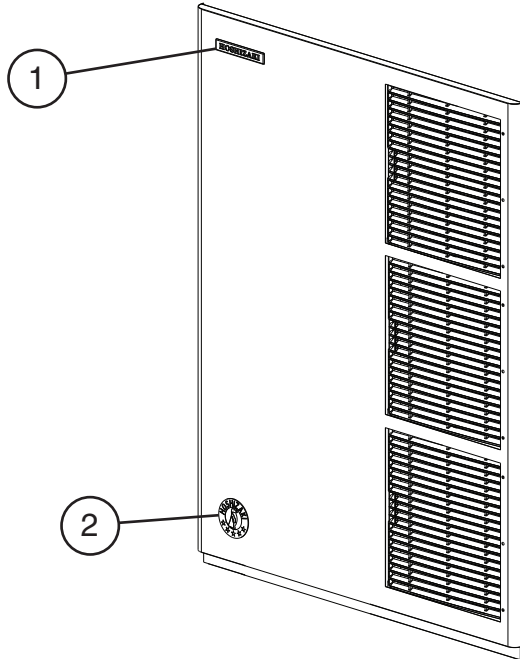
KM-1340M_H/3

Q-0 to H-0



Title: C. Control Box Assembly Model: KM-1340M H/3												
Index No.	Description	Material or Model Number	Part Number	Required Number								
				Q-0 to D-0	D-1 E-0	E-1 to H-0						
1	Start Capacitor	145-174MFD, 250VAC	3A0076-01	1	1	1						
2	Run Capacitor	35MFD, 370VAC	3A2005-05	1	1	1						
3	Start Relay		4A1107-09	1	1	1						
4	Compressor Relay	KM-1340MAH KM-1340MWH	4A3140-01	1	1	1						
		KM-1340MRH	4A5096-01	1	-							
			4A3140-01		1	1						
	Magnetic Contactor	KM-1340MRH3	4A0794-01		1	1						
5	Pump Motor Capacitor	10MFD, 250VAC	443192-01	1	1	1						
6	Control Transformer		3A0172-01	1	1	1						
7	Control Board	KM-1340MAH KM-1340MWH	2A1410-02	1	1	-						
		KM-1340MRH		1	-							
		KM-1340MAH KM-1340MWH	2A3792-01			1						
		KM-1340MRH			1	1						
7a	Control Board Support		4A0336-03	4	4	4						
8	K4 Jumper		4A4883G01		1	1						
9	Control Switch		443119-01	1	1	1						
10	Fuse Holder (control)		4A5443-01	1	1	1						
11	Fuse (control)	AGC-10A, 250VAC	4A0893-07	1	1	1						
12	Bin Control Thermostat		4A2879-02	1	1	1						
13	Crankcase Heater Relay	KM-1340MRH	406132-07	1	1	1						

D. Accessories & Labels
KM-1340M_H/3
 Q-0 to H-0



Title: D. Accessories & Labels Model: KM-1340M_H/3												
Index No.	Description	Material or Model Number	Part Number	Q-0 to H-0	Required Number							
1	Hoshizaki Emblem Label		4A0560-01	1								
2	Penguin Label		475552L02	1								
3	Universal Brace		4A0363-01	2								
3a	Hex Head Bolt		7B02-0512	2								